

SECTION 8 EXPLODED VIEWS

NOTE:

- -XX and -X mean standardized parts, so they may have some difference from the original one.
- Color Indication of Appearance Parts
Example:
KNOB, BALANCE (WHITE) . . . (RED)
↑↑
Parts Color Cabinet's Color

- Items marked “*” are not stocked since they are seldom required for routine service. Some delay should be anticipated when ordering these items.
- Abbreviation

AUS	: Australian model
CH	: Chinese model
CIS	: Russian model
EA	: Soudi Arabia model
HK	: Hong Kong model

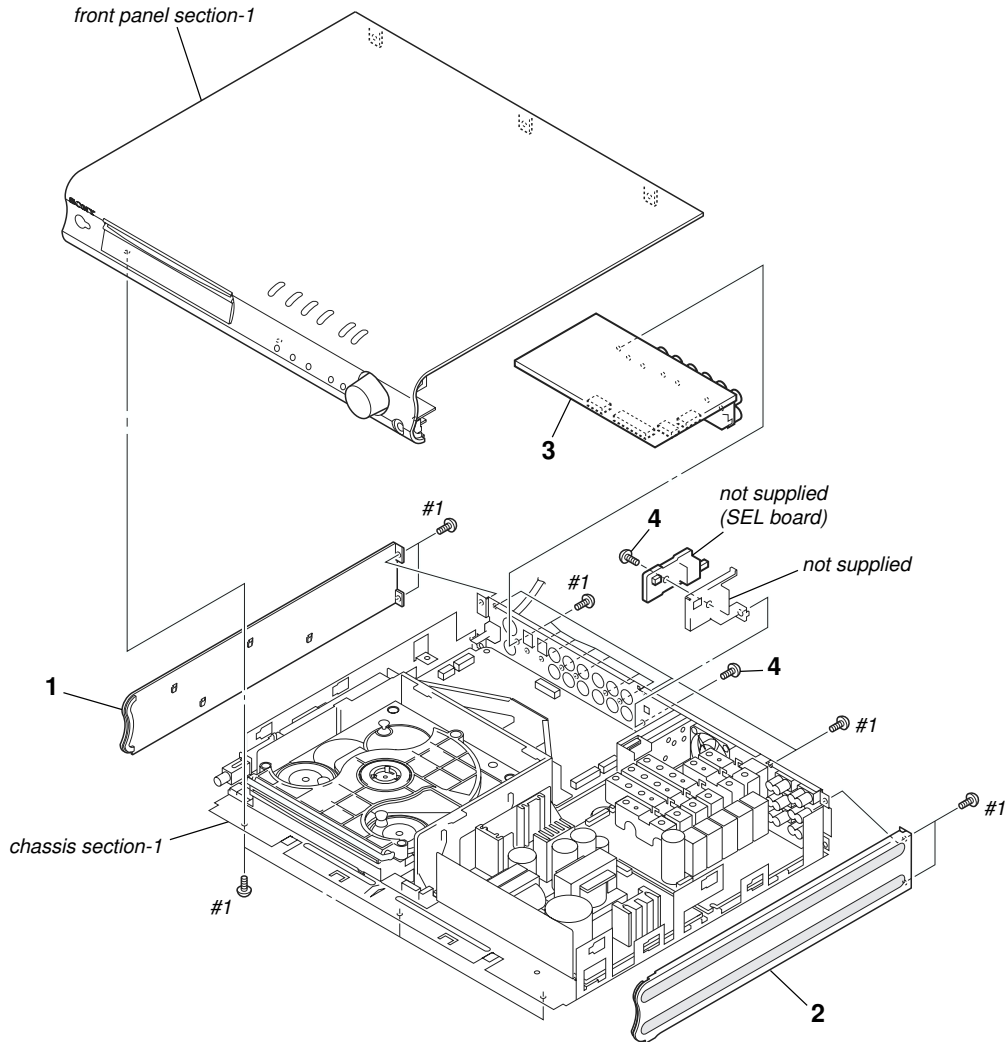
KR	: Korean model
MX	: Mexican model
MY	: Malaysia model
SP	: Singapore model
TW	: Taiwan model

The components identified by mark Δ or dotted line with mark Δ are critical for safety. Replace only with part number specified.

Les composants identifiés par une marque Δ sont critiques pour la sécurité. Ne les remplacer que par une pièce portant le numéro spécifié.

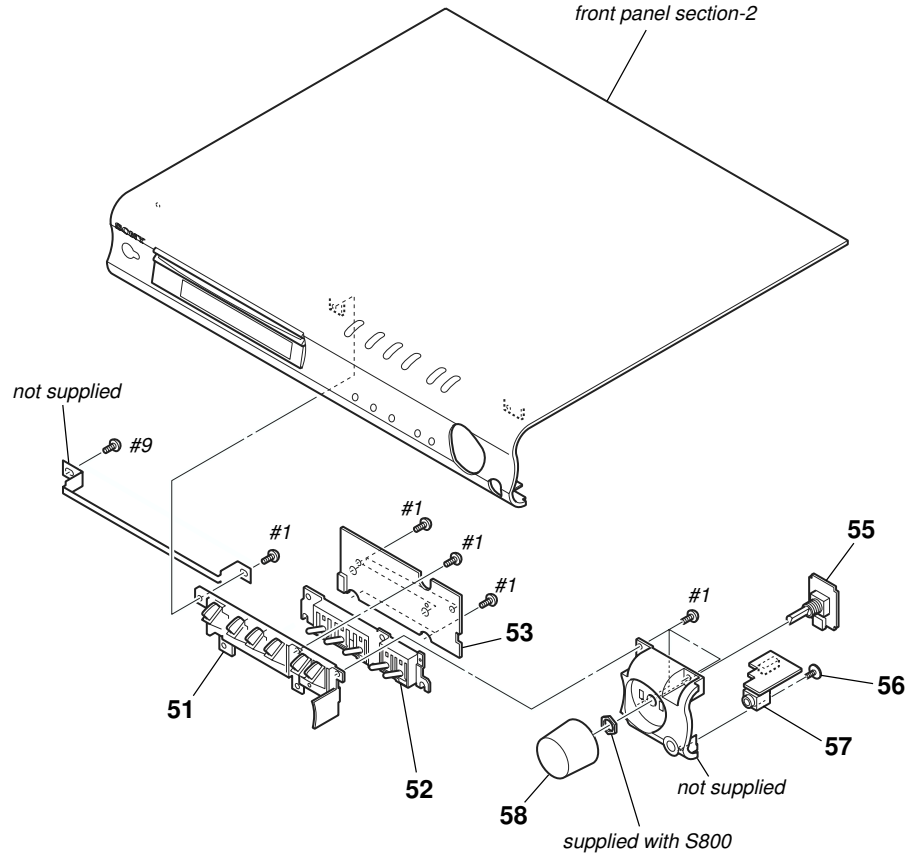
以阴影和 Δ 标志来识别的零部件，在安全方面具有关键性。因此只能以规定号码的零部件来更换。

8-1. GENERAL SECTION



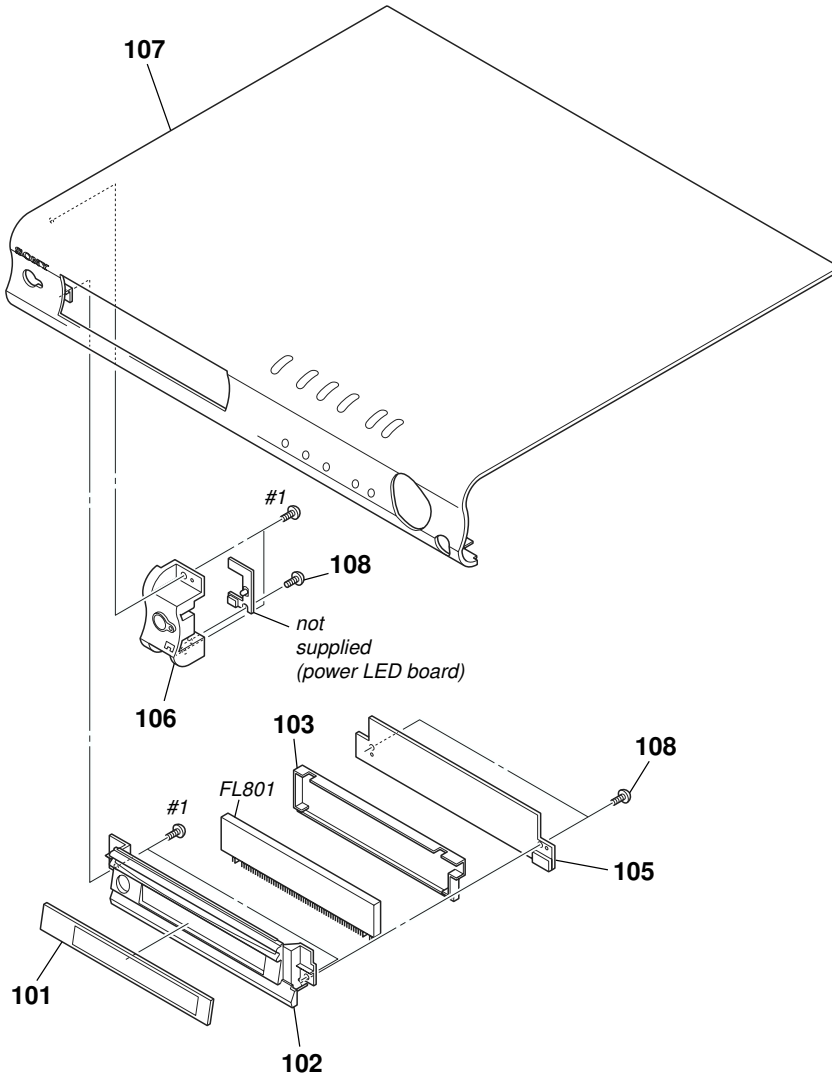
Ref. No.	Part No.	Description	Remark	Ref. No.	Part No.	Description	Remark
1	4-240-394-01	SIDE PANEL (L)		3	A-4730-166-A	I/O BOARD, COMPLETE (KR)	
2	4-240-395-01	SIDE PANEL (R)		3	A-4731-092-A	I/O BOARD, COMPLETE (CH)	
3	A-4676-939-A	I/O BOARD, COMPLETE (S550: AEP, UK, CIS)		4	4-931-757-31	SCREW (DIA.2.6X8) (IT3B), TAPPING	
3	A-4729-045-A	I/O BOARD, COMPLETE (S880: AEP, UK, CIS)		#1	7-685-646-79	SCREW +BVTP 3X8 TYPE2 N-S	
3	A-4729-906-A	I/O BOARD, COMPLETE (E32, AUS, EA, HK, MX, SP, MY, TW)					

8-2. FRONT PANEL SECTION-1



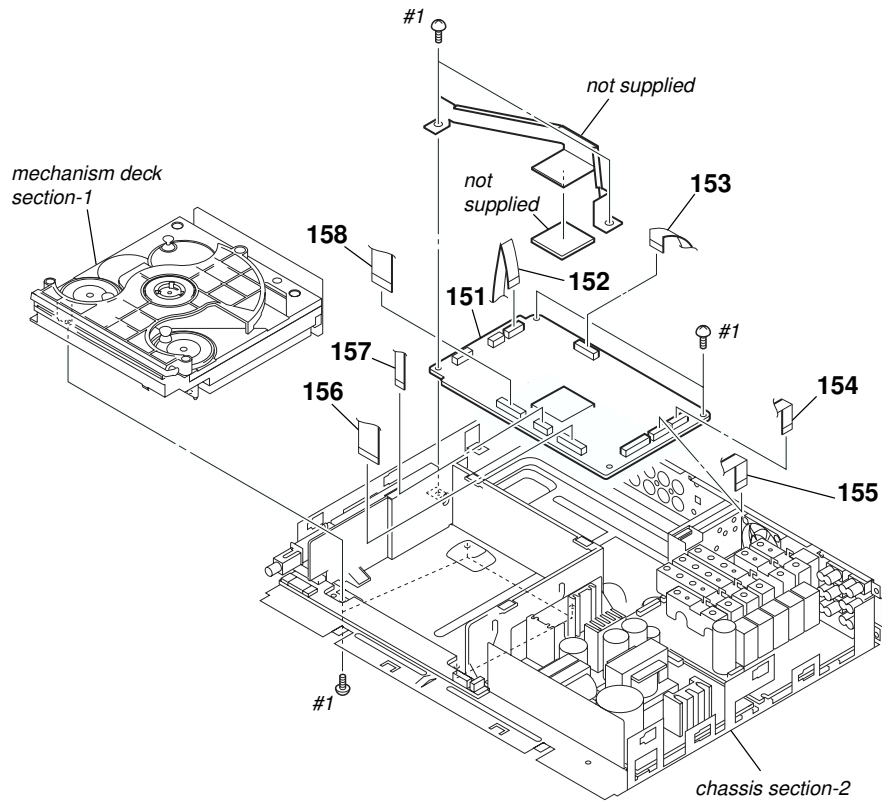
Ref. No.	Part No.	Description	Remark	Ref. No.	Part No.	Description	Remark
51	4-240-404-02	CD BUTTON		57	1-685-083-11	HP BOARD	
52	4-240-405-01	BAND BUTTON		58	4-240-024-01	KNOB VOLUME (S550)	
53	1-685-074-11	CONTROL BOARD		58	X-4952-564-1	KNOB (VOL) ASSY (S880)	
55	1-685-084-11	VOL BOARD		#1	7-685-646-79	SCREW +BVTP 3X8 TYPE2 N-S	
56	2-626-294-01	SCREW (+ PTPWH) (2.6X7) (EXCEPT KR)		#9	7-685-647-79	SCREW +BVTP 3X10 TYPE2 IT-3	
56	3-229-336-01	SCREW, +BVWH TAPPING (KR)					

8-3. FRONT PANEL SECTION-2



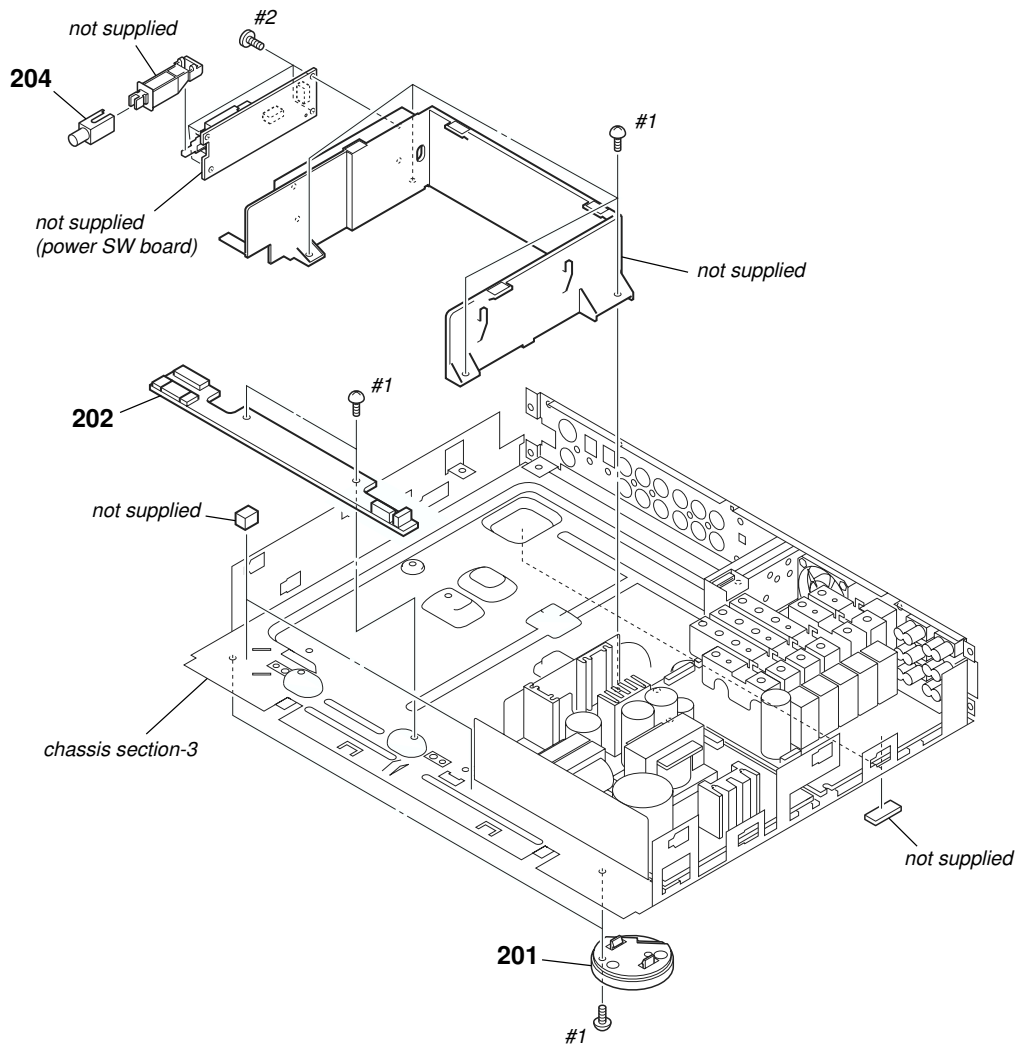
Ref. No.	Part No.	Description	Remark	Ref. No.	Part No.	Description	Remark
101	X-4954-740-5	WINDOW SUB ASSY (KR)		107	4-240-393-12	PANEL (AL), FRONT (S550: AEP, UK, CIS)	
101	X-4955-250-1	WINDOW SUB ASSY (EXCEPT KR)		107	4-241-535-02	PANEL (AL), FRONT (S880: KR, TW, MX, SP, EA, HK, E, AUS, CH)	
102	X-4954-741-3	CD LID SUB ASSY		107	4-241-535-12	PANEL (AL), FRONT (S880: AEP, UK, CIS)	
103	4-240-402-02	FL HOLDER		108	4-931-757-31	SCREW (DIA.2.6X8) (IT3B), TAPPING	
105	1-685-082-11	FL BOARD		FL801	1-518-824-11	INDICATOR TUBE, FLOURESCENT	
106	X-4954-738-2	POWER SUB ASSY		#1	7-685-646-79	SCREW +BVTP 3X8 TYPE2 N-S	
107	4-240-393-02	PANEL (AL), FRONT (S550: KR, MX, EA, SP, AUS, E, HK, TW, CH)					

8-4. CHASSIS SECTION-1



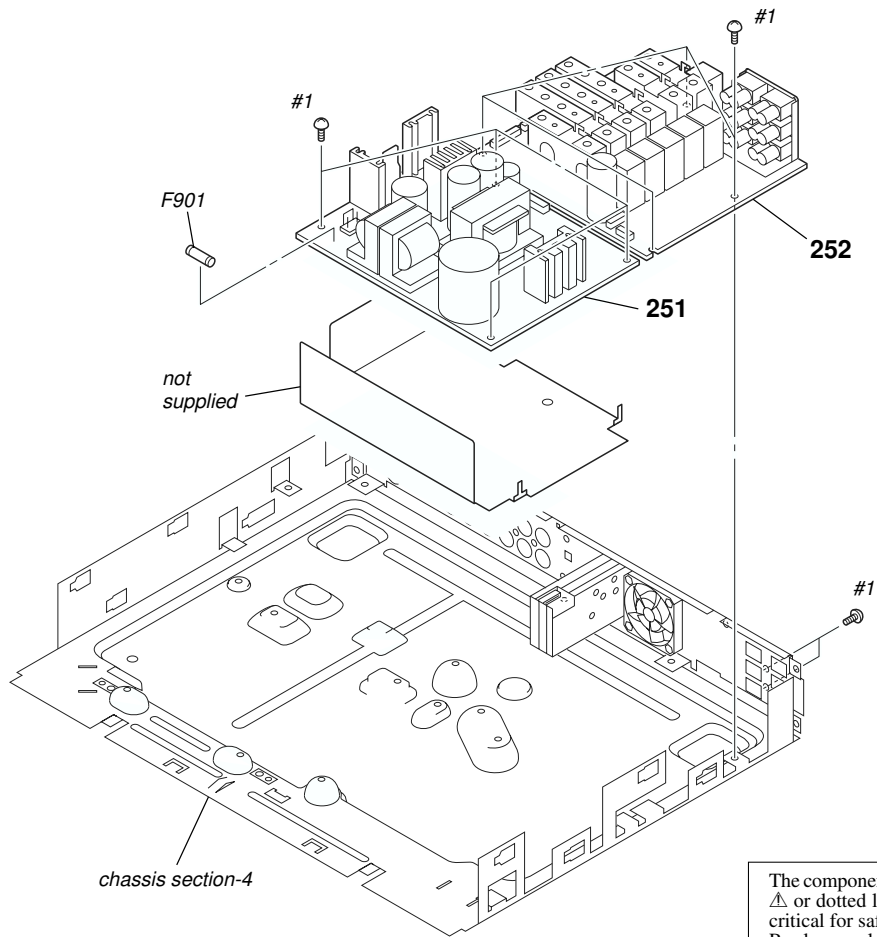
Ref. No.	Part No.	Description	Remark	Ref. No.	Part No.	Description	Remark
151	A-4433-609-A	DVD BOARD, COMPLETE (S550: CH)		151	A-4730-652-A	DVD BOARD, COMPLETE (S880: CIS)	
151	A-4433-713-A	DVD BOARD, COMPLETE (S880: CH)		151	A-4730-654-A	DVD BOARD, COMPLETE (S880: EA)	
151	A-4676-925-A	DVD BOARD, COMPLETE (S550: AEP, UK)		151	A-4730-669-A	DVD BOARD, COMPLETE	
151	A-4729-034-A	DVD BOARD, COMPLETE (S880: AEP, UK)				(S880: HK, SP, MY, TW)	
151	A-4730-160-A	DVD BOARD, COMPLETE (S550: KR)		151	A-4730-674-A	DVD BOARD, COMPLETE (S880: E, MX)	
151	A-4730-201-A	DVD BOARD, COMPLETE (S880: KR)		152	1-824-477-11	FLEXIBLE FLAT CABLE (17 CORE)	
151	A-4730-605-A	DVD BOARD, COMPLETE (S550: E, MX)		153	1-824-475-11	FLEXIBLE FLAT CABLE (18 CORE)	
151	A-4730-612-A	DVD BOARD, COMPLETE (S550: EA)		154	1-824-476-11	FLEXIBLE FLAT CABLE (12 CORE)	
151	A-4730-616-A	DVD BOARD, COMPLETE		155	1-824-624-11	FLEXIBLE FLAT CABLE (17 CORE)	
		(S550: HK, SP, MY, TW)		156	1-824-474-11	FLEXIBLE FLAT CABLE (29 CORE)	
151	A-4730-618-A	DVD BOARD, COMPLETE (S550: CIS)		157	1-824-473-11	FLEXIBLE FLAT CABLE (14 CORE)	
151	A-4730-620-A	DVD BOARD, COMPLETE (S550: AUS)		158	1-687-072-11	PWB, FLEXIBLE	
151	A-4730-650-A	DVD BOARD, COMPLETE (S880: AUS)		#1	7-685-646-79	SCREW +BVTP 3X8 TYPE2 N-S	

8-5. CHASSIS SECTION-2



Ref. No.	Part No.	Description	Remark	Ref. No.	Part No.	Description	Remark
201	X-4954-745-1	FOOT SUB ASSY		204	4-240-397-01	POWER BUTTON	
202	A-4676-937-A	DDCON BOARD, COMPLETE (EXCEPT KR)		#1	7-685-646-79	SCREW +BVTP 3X8 TYPE2 N-S	
202	A-4730-153-A	DDCON BOARD, COMPLETE (KR)		#2	7-685-645-79	SCREW +P 3X6 TYPE2 NON-SLIT	

8-6. CHASSIS SECTION-3



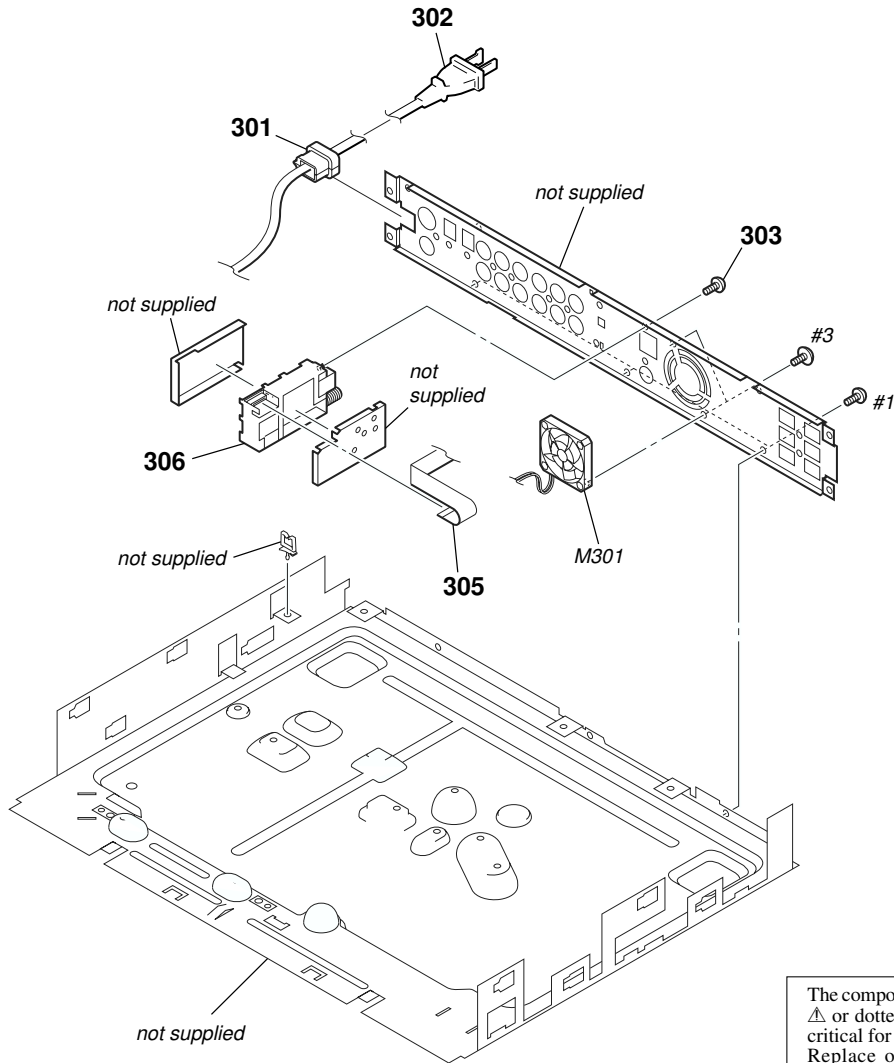
The components identified by mark Δ or dotted line with mark Δ are critical for safety. Replace only with part number specified.

Les composants identifiés par une marque Δ sont critiques pour la sécurité. Ne les remplacer que par une pièce portant le numéro spécifié.

以阴影和 Δ 标志来识别的零部件，在安全方面具有关键性。因此只能以规定号码的零部件来更换。

Ref. No.	Part No.	Description	Remark	Ref. No.	Part No.	Description	Remark
251	A-4676-932-A	POWER BOARD, COMPLETE (AEP, UK, CIS, HK, SP, MY, AUS, CH)		252	A-4676-942-A	AMP BOARD, COMPLETE (EXCEPT MX, KR)	
251	A-4730-164-A	POWER BOARD, COMPLETE (KR)		252	A-4730-168-A	AMP BOARD, COMPLETE (KR)	
251	A-4730-608-A	POWER BOARD, COMPLETE (MX, TW)		252	A-4730-610-A	AMP BOARD, COMPLETE (MX)	
251	A-4730-615-A	POWER BOARD, COMPLETE (EA)		Δ F901	1-533-470-12	FUSE, GLASS TUBE (DIA. 5) (5A/125V)	
251	A-4730-623-A	POWER BOARD, COMPLETE (E)		#1	7-685-646-79	SCREW +BVTP 3X8 TYPE2 N-S	

8-7. CHASSIS SECTION-4



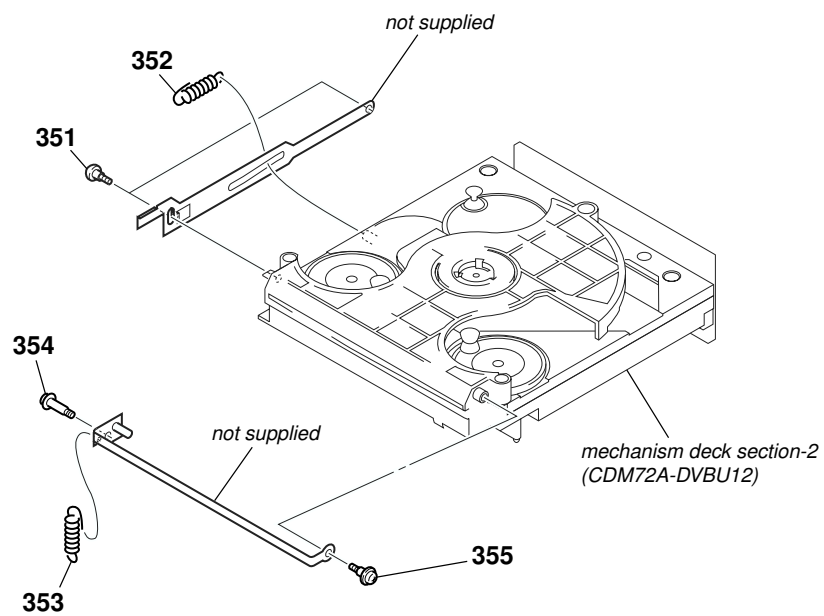
The components identified by mark \triangle or dotted line with mark \triangle are critical for safety. Replace only with part number specified.

Les composants identifiés par une marque \triangle sont critiques pour la sécurité. Ne les remplacer que par une pièce portant le numéro spécifié.

以阴影和 \triangle 标志来识别的零部件，在安全方面具有关键性。因此只能以规定号码的零部件来更换。

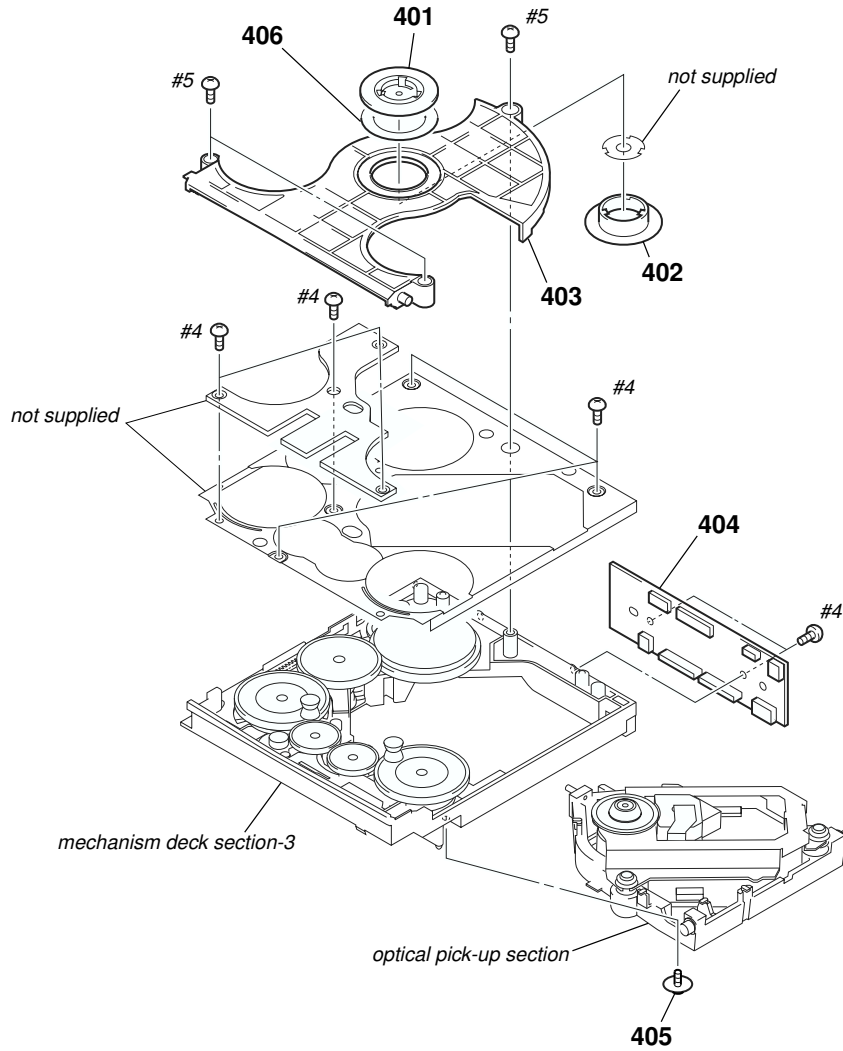
Ref. No.	Part No.	Description	Remark	Ref. No.	Part No.	Description	Remark
301	3-703-244-00	BUSHING (2104), CORD (KR)		305	1-824-486-11	FLEXIBLE FLAT CABLE (11 CORE)	
301	4-217-350-11	STOPPER, CORD (EXCEPT KR)		306	A-4730-139-A	TUNER BOARD, COMPLETE (DTP-001)	
\triangle 302	1-696-169-12	CORD, POWER (AEP, UK, E, HK, EA, CIS, SP, MY, TW)		306	A-4730-143-A	TUNER BOARD, COMPLETE (DTP-001) (E, EA, HK, MX, SP, MY)	
\triangle 302	1-696-848-42	CORD, POWER (AUS)		M301	1-763-861-11	FAN, DC	
\triangle 302	1-769-079-22	CORD, POWER (KR)		#1	7-685-646-79	SCREW +BVTP 3X8 TYPE2 N-S	
\triangle 302	1-775-789-91	CORD, POWER (MX)		#3	7-685-659-14	SCREW +BVTP 4X8 TYPE2 N-S	
\triangle 302	1-782-464-22	CORD, POWER (CH)					
303	4-931-757-31	SCREW (DIA.2.6X8) (IT3B), TAPPING					

8-8. MECHANISM DECK SECTION-1
(CDM72B-DVBU12)



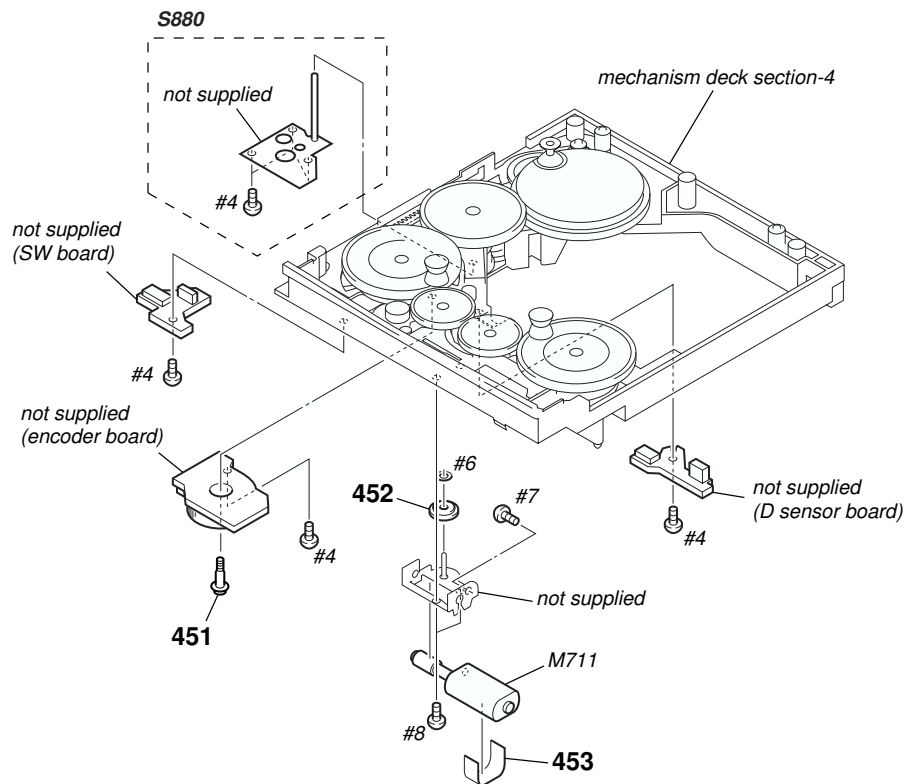
Ref. No.	Part No.	Description	Remark	Ref. No.	Part No.	Description	Remark
351	4-240-856-01	SCREW (+PWH.2X6), STEP TAPPING		354	4-992-069-01	SCREW (+PTPWH) (M2) (DIA. 7)	
352	4-241-159-01	SPRING (SL), TENSION		355	4-243-128-01	SCREW (+PWH.2X3), STEP TAPPING	
353	4-241-160-01	SPRING (S5), TENSION					

8-9. MECHANISM DECK SECTION-2
(CDM72A-DVBU12)



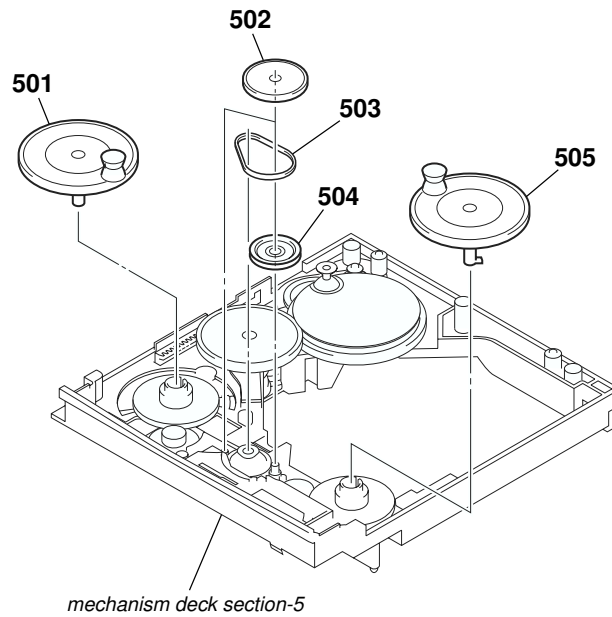
Ref. No.	Part No.	Description	Remark	Ref. No.	Part No.	Description	Remark
401	4-240-212-01	COVER (AT-DV)		405	4-985-672-01	SCREW (+PTPWHM2.6), FLOATING	
402	4-240-211-01	PULLEY (AT-DV)		406	4-238-194-01	SHEET (PULLEY DV)	
403	X-4954-988-1	HOLDER (AT) ASSY		#4	7-685-533-19	SCREW +BTP 2.6X6 TYPE2 N-S	
404	A-4676-588-A	RELAY BOARD, COMPLETE		#5	7-685-534-19	SCREW +BTP 2.6X8 TYPE2 N-S	

8-10. MECHANISM DECK SECTION-3
(CDM72A-DVBU12)



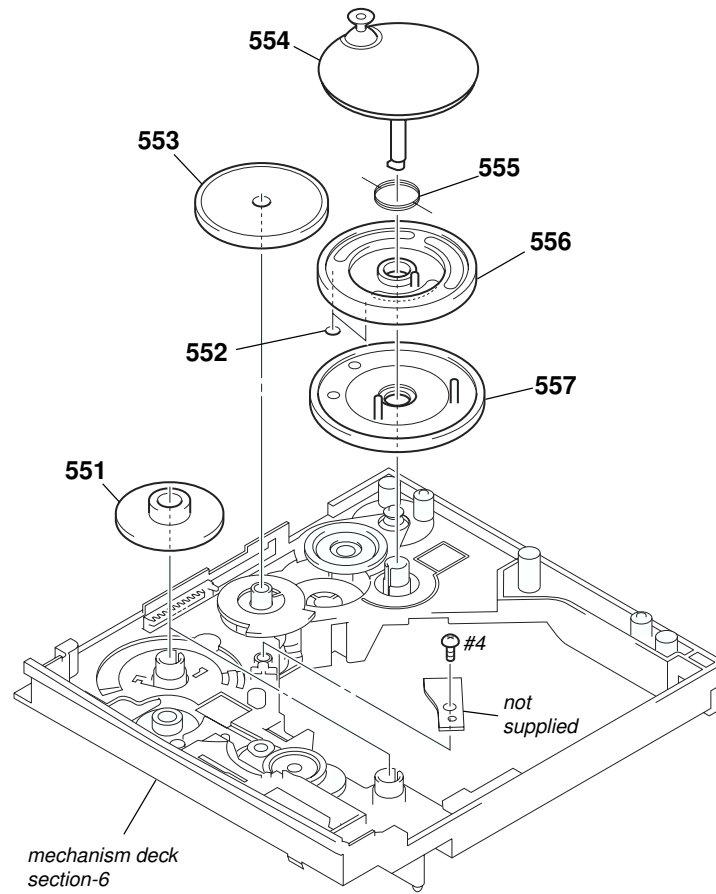
Ref. No.	Part No.	Description	Remark	Ref. No.	Part No.	Description	Remark
451	4-239-618-01	SCREW (+PWH,2X6), STEP TAPPING		#4	7-685-533-19	SCREW +BTP 2.6X6 TYPE2 N-S	
452	4-240-200-01	GEAR (L1)		#6	7-623-921-01	RING, RETAINING, CAPSTAN	
* 453	3-344-749-01	RETAINER (B)		#7	7-627-853-28	SCREW, PRECISION +P 2X3 TYPE3	
M711	A-4746-746-A	MOTOR (LD) ASSY (LOADING)		#8	7-685-102-19	SCREW +P 2X4 NON-SLIT TYPE 2	

8-11. MECHANISM DECK SECTION-4
(CDM72A-DVBU12)



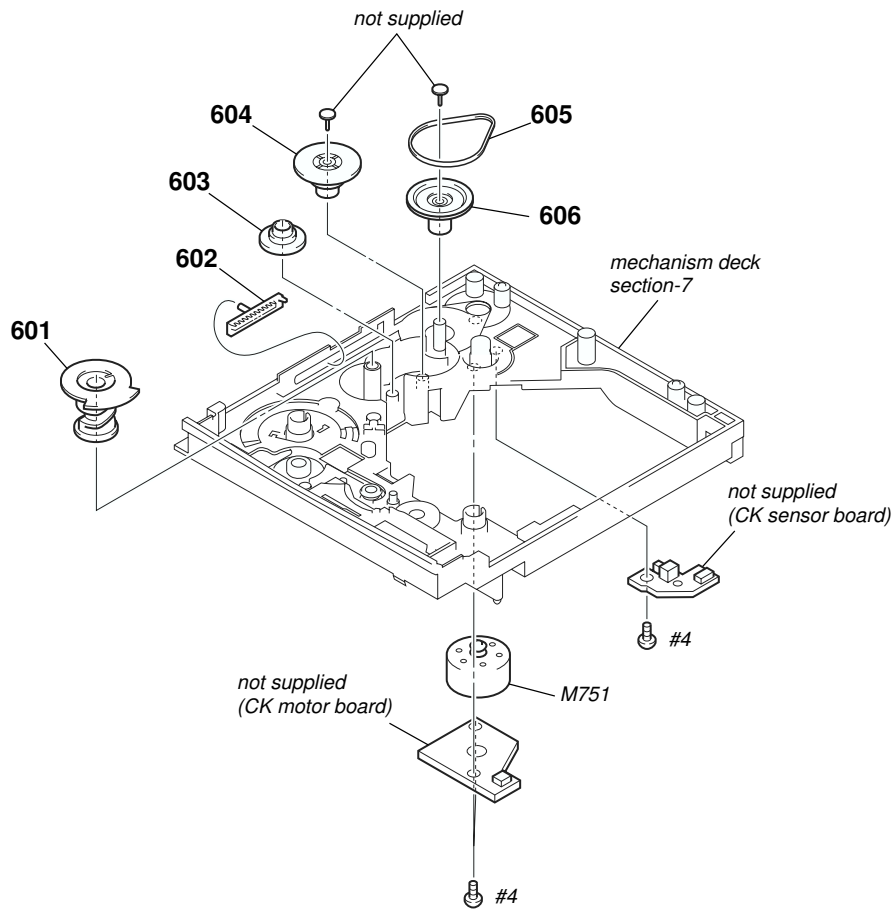
<u>Ref. No.</u>	<u>Part No.</u>	<u>Description</u>	<u>Remark</u>	<u>Ref. No.</u>	<u>Part No.</u>	<u>Description</u>	<u>Remark</u>
501	X-4954-711-1	PULLEY (RTR) ASSY		504	4-240-202-01	PULLEY (LDG)	
502	4-240-205-01	GEAR (S1)		505	X-4954-712-1	PULLEY (RTL) ASSY	
503	4-241-020-01	BELT (L2)					

8-12. MECHANISM DECK SECTION-5
(CDM72A-DVBU12)



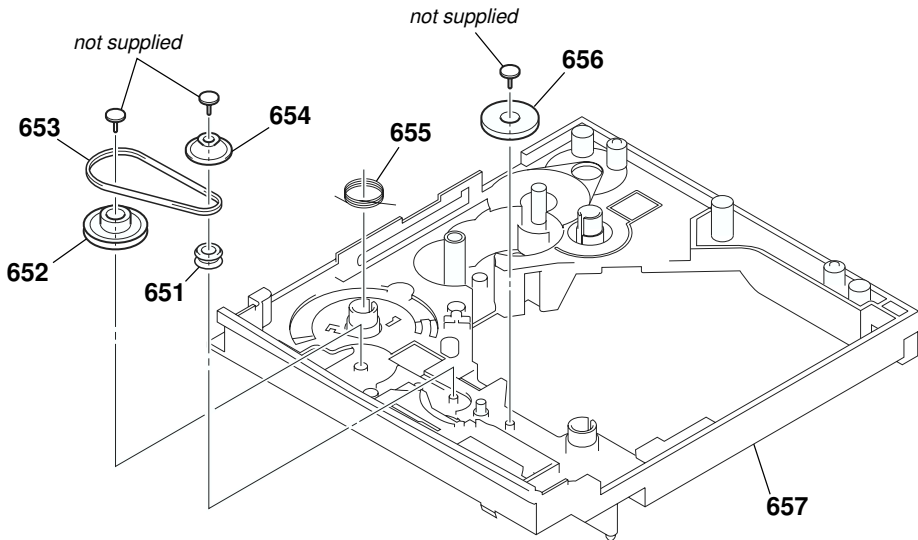
Ref. No.	Part No.	Description	Remark	Ref. No.	Part No.	Description	Remark
551	4-240-203-01	GEAR (L4)		555	4-237-430-01	SPRING (S), TORSION	
552	4-238-552-01	REFLECTOR (CDM71)		556	4-240-236-01	GEAR (SPT)	
553	4-240-206-01	GEAR (S2)		557	4-240-209-01	GEAR (KT)	
554	X-4954-710-1	PULLEY (SPT) ASSY		#4	7-685-533-19	SCREW +BTP 2.6X6 TYPE2 N-S	

8-13. MECHANISM DECK SECTION-6
(CDM72A-DVBU12)



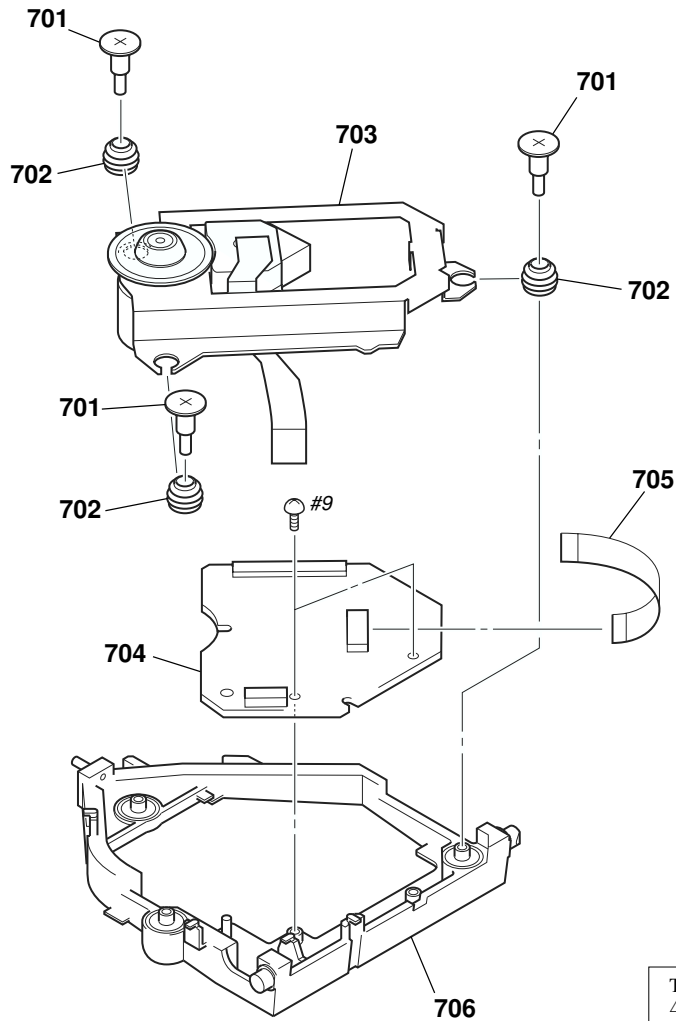
<u>Ref. No.</u>	<u>Part No.</u>	<u>Description</u>	<u>Remark</u>	<u>Ref. No.</u>	<u>Part No.</u>	<u>Description</u>	<u>Remark</u>
601	4-240-213-01	CAM (CDM72)		605	4-241-021-01	BELT (CK)	
602	X-4954-987-1	LEVER (ST) ASSY		606	4-240-210-01	PULLEY (CKG)	
603	4-240-208-01	GEAR (C2)		M751	A-4746-747-A	MOTOR (CK) ASSY (EJECT)	
604	4-240-207-01	GEAR (C1)		#4	7-685-533-19	SCREW +BTP 2.6X6 TYPE2 N-S	

8-14. MECHANISM DECK SECTION-7
(CDM72A-DVBU12)



<u>Ref. No.</u>	<u>Part No.</u>	<u>Description</u>	<u>Remark</u>	<u>Ref. No.</u>	<u>Part No.</u>	<u>Description</u>	<u>Remark</u>
651	4-240-830-01	PULLEY (L5)		655	4-240-219-01	SPRING (L), TORSION	
652	4-240-202-01	PULLEY (LDG)		656	4-240-204-01	GEAR (CNT)	
653	4-241-021-01	BELT (CK)		657	4-240-218-04	CHASSIS	
654	4-240-231-01	GEAR (L5)					

8-15. OPTICAL PICK-UP SECTION
(DVBU12)



The components identified by mark △ or dotted line with mark △ are critical for safety. Replace only with part number specified.

Les composants identifiés par une marque △ sont critiques pour la sécurité. Ne les remplacer que par une pièce portant le numéro spécifié.

以阴影和 △ 标志来识别的零部件，在安全方面具有关键性。因此只能以规定号码的零部件来更换。

Ref. No.	Part No.	Description	Remark	Ref. No.	Part No.	Description	Remark
701	4-981-923-01	SCREW (M), STEP		705	1-685-250-11	FLEXIBLE BOARD	
702	3-053-847-31	INSULATOR		706	X-4954-899-1	HOLDER (BU) ASSY	
△703	1-477-263-11	PICKUP UNIT (TDP022W)		#9	7-685-533-14	SCREW +BTP 2.6X6 TYPE2 N-S	
704	A-4728-690-A	RF BOARD, COMPLETE					