

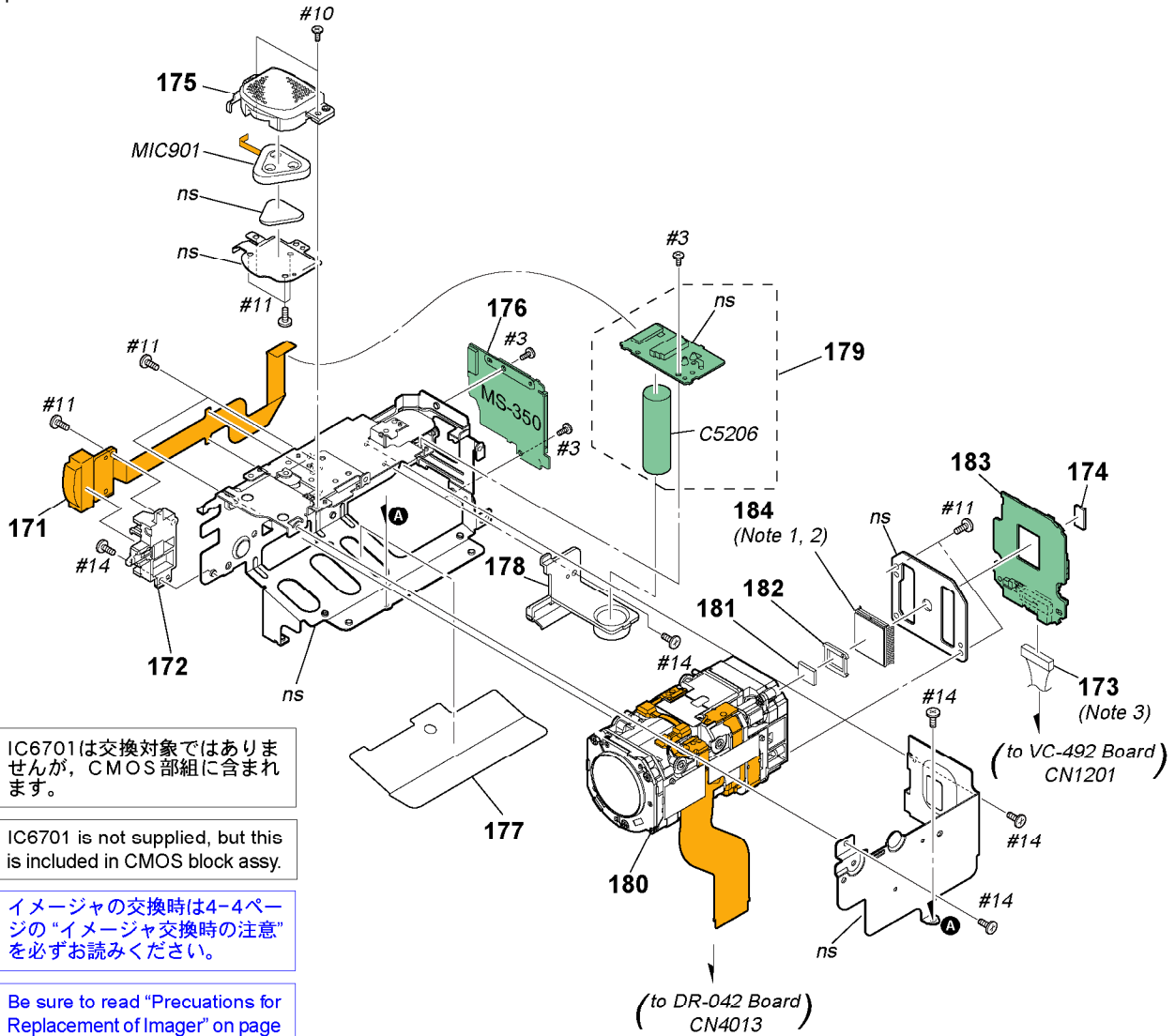
5. REPAIR PARTS LIST

DISASSEMBLY

HARDWARE LIST

5-1-5. LENS BLOCK (SR290E/SR300/SR300C/SR300E)

ns: not supplied



Note 1: IC6701は交換対象ではありませんが、CMOS部組に含まれます。

Note 1: IC6701 is not supplied, but this is included in CMOS block assy.

Note 2: イメージャの交換時は4-4ページの「イメージャ交換時の注意」を必ずお読みください。

Note 2: Be sure to read "Precautions for Replacement of Imager" on page 4-3 when changing the imager.

Note 3: HARNESS (COAXIAL CABLE) の交換時は2-1ページ「Note for disconnecting the harness」を参照して下さい。

Note 3: Refer to page 2-1 "Note for disconnecting the harness" when changing the harness.

• Refer to page 5-1 for mark △.

Ref. No.	Part No.	Description
△ 171	1-479-888-21	FLASH UNIT
172	X-2176-859-1	HOLDER ASSY, ST
173	1-965-256-11	HARNESS (COAXIAL CABLE) (Note 3)
* 174	3-098-625-01	SHEET (2370), CM RADIATION
175	X-2177-092-1	GRILLE (2370) ASSY, MICROPHONE
176	A-1244-913-A	MS-350 BOARD, COMPLETE
* 177	3-098-631-01	SHEET, LENS FLEXIBLE PROTECTION
* 178	3-098-609-01	HOLDER, CAPACITOR
179	A-1244-921-A	ST-159 BOARD, COMPLETE
180	A-1227-735-A	LSV-1190A (SERVICE)

Ref. No.	Part No.	Description
181	1-788-558-11	FILTER BLOCK, OPTICAL
182	2-698-010-01	RUBBER (1190), SEAL
183	A-1237-309-A	CM-077 BOARD, COMPLETE (SERVICE)
184	A-1209-688-A	CMOS BLOCK ASSY (CMOS IMAGER) (Note 1,2)
△ C5206	1-112-766-11	ELECT 70uF 99% 330V
MIC901	1-542-711-31	MICROPHONE UNIT
#3	2-660-401-01	SCREW (M1.7), NEW TRU-STAR, P2 (Red)
#10	2-599-475-31	SCREW (M1.7) (Silver)
#11	3-078-890-11	SCREW, TAPPING (Silver)
#14	2-599-475-11	SCREW (M1.7) (Silver)

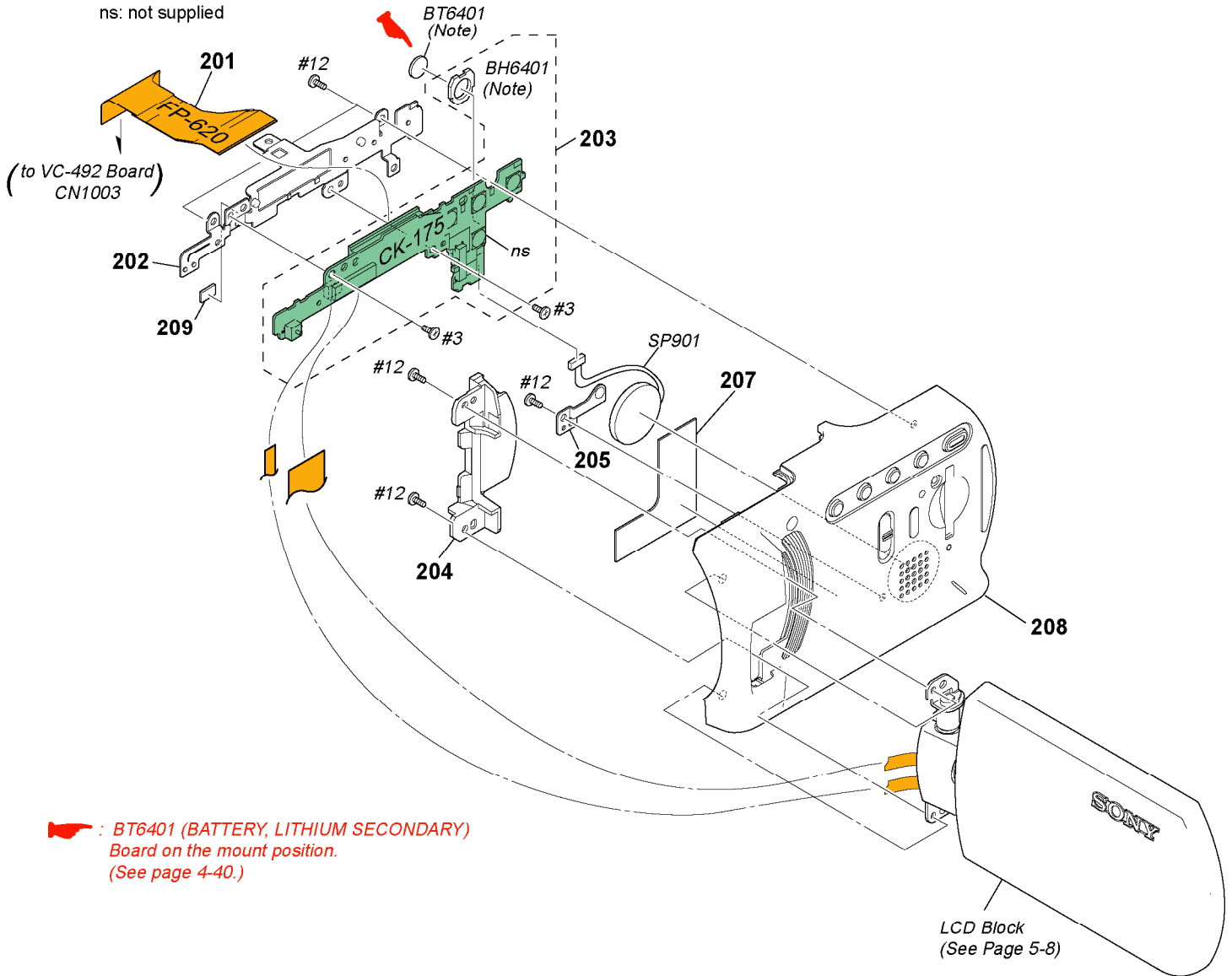
5. REPAIR PARTS LIST

DISASSEMBLY

HARDWARE LIST

5-1-6. CABINET (R) BLOCK

ns: not supplied



: BT6401 (BATTERY, LITHIUM SECONDARY)
Board on the mount position.
(See page 4-40.)

CAUTION
Danger of explosion if battery is incorrectly replaced.
Replace only with the same or equivalent type.

注意
電池の交換は、正しく行わないと破裂する恐れがあります。電池を交換する場合には必ず同じ型名の電池又は同等品と交換してください。

• Refer to page 5-1 for mark Δ .

Note: Replace the battery holder (BH6401) together when replacing the lithium battery (BT6401) on CK-175 board.
(The battery holder removed once cannot be used again.)
When mounting these parts, mount new battery holder first and attach new lithium battery next.

Note: CK-175基板のリチウム電池(BT6401)を交換する場合はバッテリーホルダ(BH6401)も同時に新品に交換して下さい。
(一度使用したバッテリーホルダは再使用できません。)
部品取り付けの際は、先にバッテリーホルダを取り付けてからリチウム電池を装着してください。

Ref. No.	Part No.	Description
201	1-871-467-11	FP-620 FLEXIBLE BOARD
* 202	3-098-266-01	SHEET METAL, CK RETAINER
203	A-1244-669-A	CK-175 BOARD, COMPLETE
204	3-098-265-01	BLIND, HINGE
* 205	3-098-267-01	SHEET METAL, SP RETAINER
* 207	3-098-636-01	SHFFT (2370), (R) RADIATION
208	X-2177-100-1	CABINET (R (2360)) ASSY (SR190E/SR200/SR200C/SR200E)
208	X-2177-096-1	CABINET (R (2370)) ASSY (SR300: J)

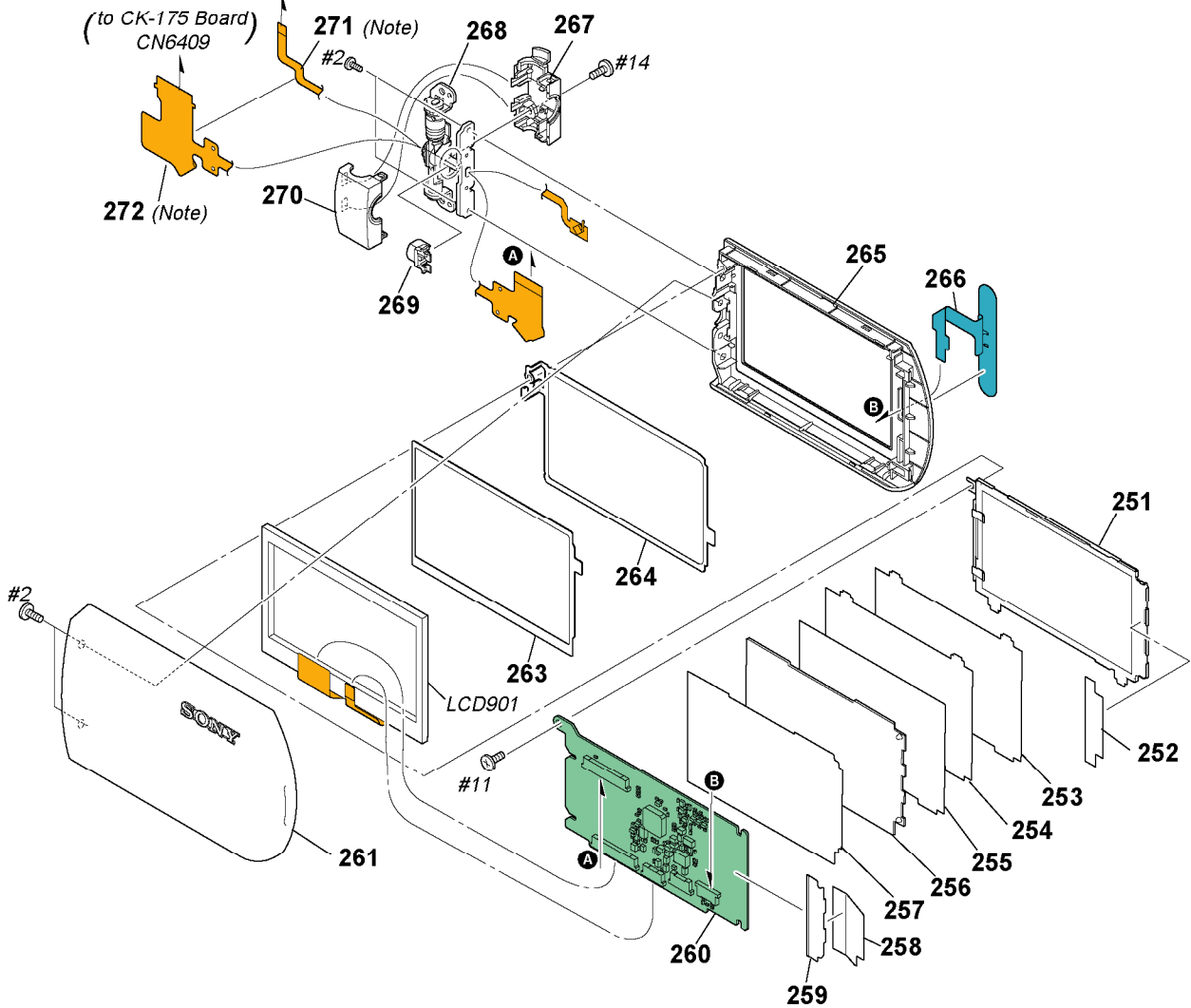
Ref. No.	Part No.	Description
208	X-2177-097-1	CABINET (R (2370)) ASSY (SR290E/SR300: EXCEPT J/SR300C/SR300E)
* 209	3-209-620-01	SHEET, CK INSULATING
Δ BH6401	1-756-615-31	HOLDER, BATTERY (Note)
Δ BT6401	1-528-900-31	BATTERY, LITHIUM SECONDARY (Note)
SP901	1-825-262-81	LOUD SPFAKER (1.6CM)
#3	2-660-401-01	SCREW (M1.7), NEW TRU-STAR, P2 (Red)
#12	3-080-204-21	SCREW, TAPPING, P2 (Black)

5. REPAIR PARTS LIST

DISASSEMBLY

HARDWARE LIST

5-1-7. LCD BLOCK (to CK-175 Board) CN6411



Note : FP-610フレキシブル基板, FP-621フレキシブル基板取付時はヘルプを必ずお読み下さい。

Note : Be sure to read "HELP" when you install the FP-610 flexible board and FP-621 flexible board.

Ref. No.	Part No.	Description
251	2-887-999-01	FRONT FRAME (2.7J)
252	2-666-807-02	AG SHEET (2.7)
253	2-666-802-01	PRISM SHEET V (2.7)
254	2-666-803-01	PRISM SHEET H (2.7)
255	2 666 804 01	DIFFUSION SHEET (2.7)
256	2-666-801-01	LIGHT GUIDE (2.7)
257	2-894-347-01	REFLECTION SHEET (2.7J)
* 258	3-106-126-01	SHEET (2370), P
* 259	2-638-780-01	CLIP
260	A-1244-660-A	PD-324 BOARD, COMPLETE
261	A-1246-461-A	CABINET (C (SR-190)), (P) (SR190E)
261	A-1246-460-A	CABINET (C (SR-200)), (P) (SR200/SR200C/SR200E)
261	A-1246-459-A	CABINET (C (SR-290)), (P) (SR290E)
261	A-1246-458-A	CABINET (C (SR-300)), (P) (SR300/SR300C/SR300E)
263	3-098-648-01	CUSHION (2.7 (211)), TP

Ref. No.	Part No.	Description
* 264	3-098-244-01	PLATE (2370), LCD GROUND
265	3-098-633-01	CABINET (M (2370)), P (SR300: J)
265	3-098-633-11	CABINET (M (2370)), P (EXCEPT SR300: J)
266	1-479-926-11	SWITCH BLOCK, CONTROL (SB22100)
267	3-098-256-01	COVER (M), HINGE
268	X-2108-475-1	HINGE ASSY
269	2-668-087-01	CLAMP, FLEXIBLE
270	3-098-263-01	COVER (C), HINGE (SR290E/SR300/SR300C/SR300E)
270	3-098-263-11	COVER (C), HINGE (SR190E/SR200/SR200C/SR200E)
271	A-1244-634-A	FP-621 FLEXIBLE BOARD, COMPLETE (Note)
272	1-871-457-11	FP-610 FLEXIBLE BOARD (Note)
* LCD901	A-1202-066-A	TP BLOCK ASSY (27ESTMG07)
#2	2-635-562-31	SCREW (M1.7) (Black)
#11	3-078-890-11	SCREW, TAPPING (Silver)
#14	2-599-475-11	SCREW (M1.7) (Silver)