

3. REPAIR PARTS LIST

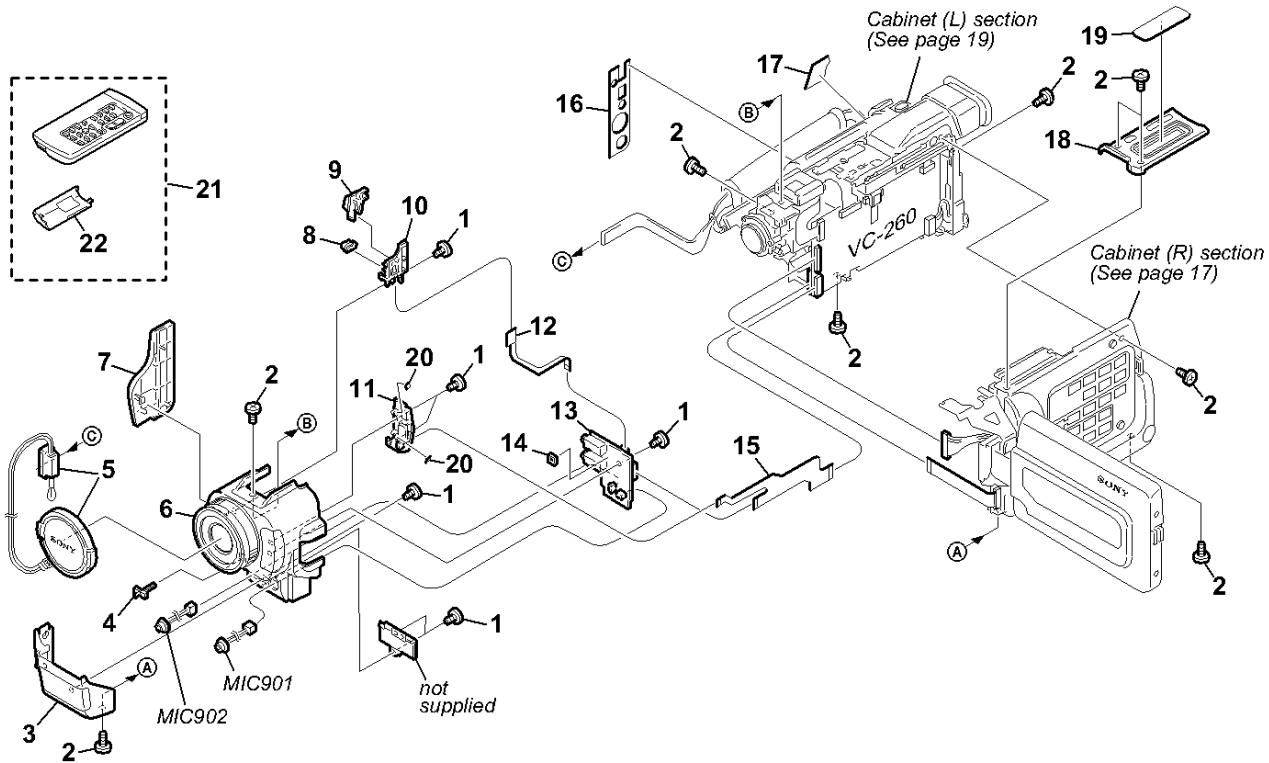
3-1. EXPLODED VIEWS

NOTE:

- -XX, -X mean standardized parts, so they may have some differences from the original one.
- Items marked "*" are not stocked since they are seldom required for routine service. Some delay should be anticipated when ordering these items.
- The mechanical parts with no reference number in the exploded views are not supplied.

The components identified by mark Δ or dotted line with mark Δ are critical for safety. Replace only with part number specified.

3-1-1. OVERALL SECTION



Ref. No.	Part No.	Description	Remarks	Ref. No.	Part No.	Description	Remarks
1	3-713-791-51	SCREW (M1.7X3.5), TAPPING, P2		* 14	3-057-438-11	CUSHION, LIGHT INTERCEPTION	
2	3-989-735-81	SCREW (M1.7), LOCK ACE, P2		15	1-681-258-11	PWB, FP-304 FLEXIBLE BOARD	
3	X-3951-424-1	PANEL (S) ASSY, FRONT		16	3-066-737-31	PLATE, JACK ORNAMENTAL (TRV17E)	
4	3-066-838-01	LIGHT, TALLY GUIDE		16	3-066-737-41	PLATE, JACK ORNAMENTAL (TRV15E)	
5	X-3950-537-1	CAP ASSY, LENS		17	3-067-081-31	SHEET, POWER (TRV17E)	
6	X-3951-423-1	PANEL ASSY, FRONT		17	3-067-081-41	SHEET, POWER (TRV15E)	
7	3-066-839-01	COVER, JACK		18	X-3951-426-1	CABINET ASSY, TOP	
8	3-066-834-01	BUTTON, SNS		19	3-066-843-01	WINDOW, INDICATION	
9	3-066-832-01	NS SW		20	3-069-101-01	SHEET, SENSOR	
10	3-066-833-01	BASE, NS		21	1-475-141-61	REMOTE COMMANDER (RMT-814)	
11	not supplied	FB-218 BOARD, COMPLETE		22	3-742-854-01	LID, BATTERY CASE (FOR RMT-814)	
12	A-7074-780-A	FP-311 FLEXIBLE BOARD, COMPLETE		MIC901	1-542-312-11	MICROPHONE (Lch)	
13	not supplied	MA-403 (R) BOARD, COMPLETE		MIC902	1-542-312-11	MICROPHONE (Rch)	