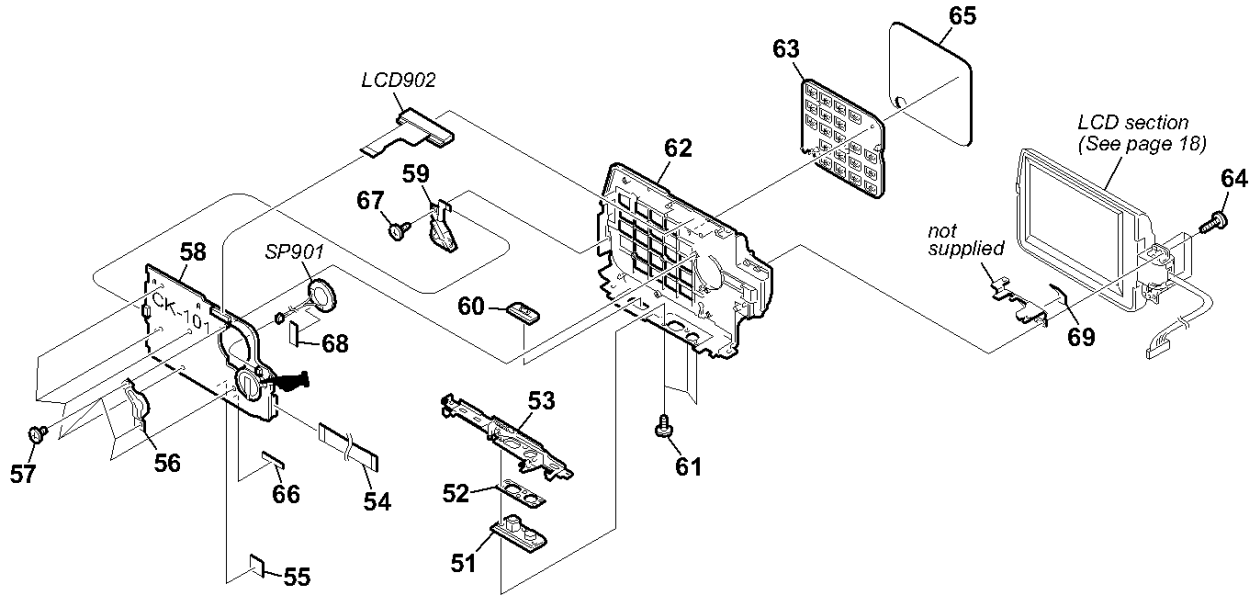


3-1-2. CABINET (R) SECTION



 : BT8301 (Lithium battery) CK-101 board on the mount position.

Ref. No.	Part No.	Description	Remarks	Ref. No.	Part No.	Description	Remarks
51	3-055-257-01	TRIPOD (LARGE)		62	X-3951-422-1	CABINET (R) ASSY	
* 52	3-055-258-01	SHEET, TRIPOD INSULATING		63	X-3951-551-1	BUTTON ASSY, VTR (TRV17E)	
53	X-3951-440-1	FRAME ASSY, BOTTOM		63	X-3951-552-1	BUTTON ASSY, VTR (TRV15E)	
54	1-757-770-11	CABLE, FLEXIBLE FLAT (FFC-314)		64	3-945-884-11	SCREW (2X6)	
* 55	3-055-885-01	SHEET, MUFFLE		65	3-066-738-31	SHEET, KEY (TRV17E)	
* 56	X-3950-471-1	RETAINER ASSY, SPEAKER		65	3-066-738-41	SHEET, KEY (TRV15E)	
57	3-713-791-51	SCREW (M1.7X3.5), TAPPING, P2		66	3-068-839-01	SHEET, FOCUS	
58	not supplied	CK-101 (FBFBO) BOARD, COMPLETE (TRV17E)		67	3-713-791-11	SCREW (M1.7X5), TAPPING, P2	
58	not supplied	CK-101 (FBO) BOARD, COMPLETE (TRV15E)		68	3-941-343-21	TAPE (A)	
59	1-476-580-11	SWITCH BLOCK, CONTROL (KP-1700)		69	3-841-069-11	SPACER	
60	3-055-324-01	KNOB, EJECT		LCD902	not supplied	INDICATION LCD BLOCK ASSY	
61	3-055-573-01	SCREW (M1.7), LOCK ACE, P2		SP901	1-529-590-11	SPEAKER (2.0CM)	