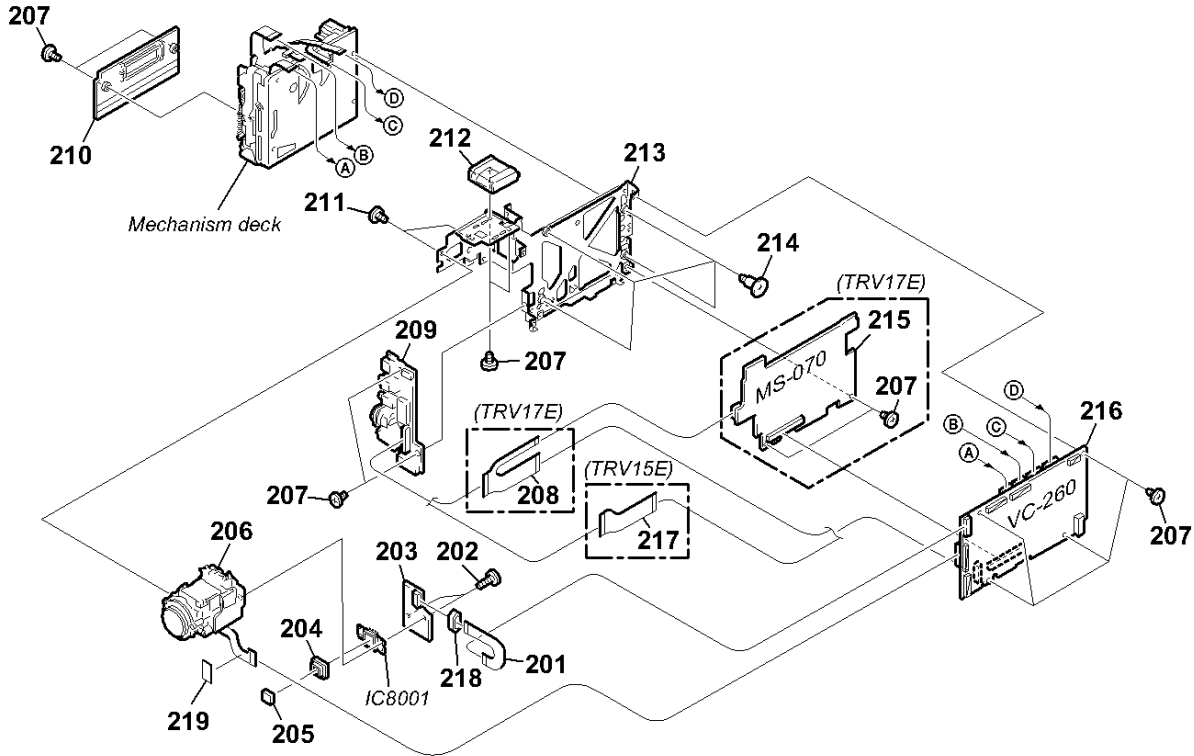


### 3-1-5. MAIN CHASSIS COMPLETE SECTION



Ref. No.	Part No.	Description	Remarks	Ref. No.	Part No.	Description	Remarks
201	1-681-260-11	PWB, FP-306 FLEXIBLE BOARD		212	1-815-124-21	CONNECTOR, EXTERNAL (HOT SHOE)(TRV15E)	
202	not supplied	SCREW (M1.7X5), TAPPING, P2		213	X-3951-425-1	FRAME ASSY, MAIN	
203	not supplied	CD-303 BOARD, COMPLETE		214	3-059-718-01	SCREW (M1.4X1.5)	
204	not supplied	RUBBER (W), SEAL		215	not supplied	MS-070 BOARD, COMPLETE (TRV17E)	
205	not supplied	FILTER BLOCK, OPTICAL		216	not supplied	VC-260 (FBO) BOARD, COMPLETE (SERVICE) (TRV15E)	
206	not supplied	DEVICE, LENS LSV-650D		216	not supplied	VC-260 (FBFBO) BOARD, COMPLETE (SERVICE) (TRV17E)	
207	4-974-725-01	SCREW (M1.7X2.5), P		217	1-681-267-11	PWB, FP-314 FLEXIBLE BOARD (TRV15E)	
208	1-681-261-11	PWB, FP-307 FLEXIBLE BOARD (TRV17E)		218	1-500-226-31	BEAD, FERRITE	
209	not supplied	JK-204 (FBFB) BOARD, COMPLETE (TRV17E)		219	3-069-697-01	LF SHIELD SHEET	
209	not supplied	JK-204 (FB) BOARD, COMPLETE (TRV15E)		IC8001	not supplied	CCD BLOCK ASSY (CCD IMAGER)	
210	3-059-722-01	COVER, CASSETTE COMPARTMENT					
211	3-713-791-51	SCREW (M1.7X3.5), TAPPING, P2					
212	1-815-124-11	CONNECTOR, EXTERNAL (HOT SHOE)(TRV17E)					