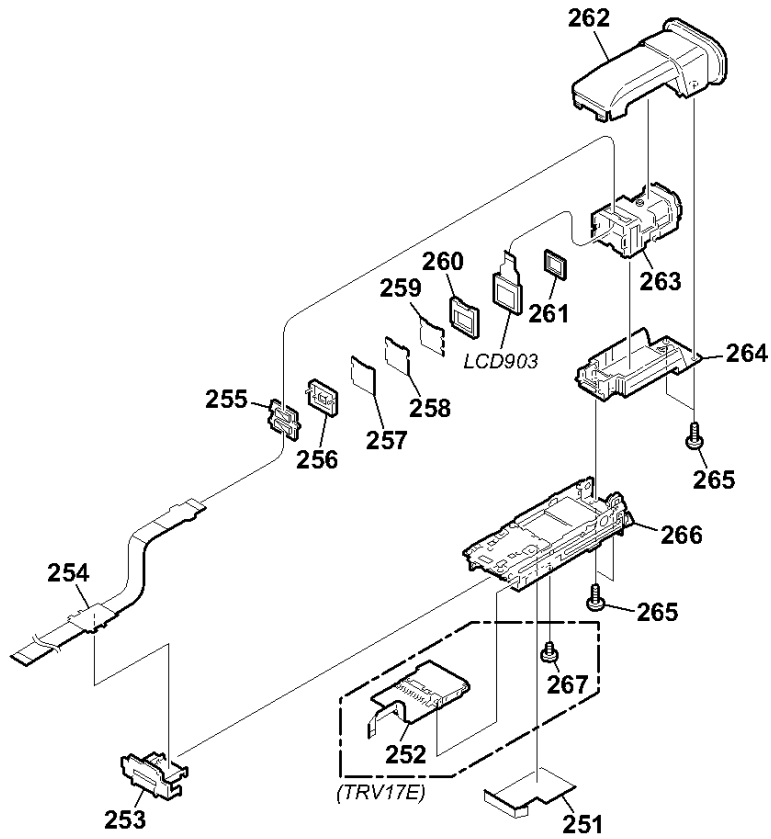


3-1-6. EVF SECTION



<u>Ref. No.</u>	<u>Part No.</u>	<u>Description</u>	<u>Remarks</u>	<u>Ref. No.</u>	<u>Part No.</u>	<u>Description</u>	<u>Remarks</u>
251	3-067-819-01	SHEET, VF FLEXIBLE RETAINER		260	3-065-062-01	CUSHION (138), LCD	
252	A-7074-781-A	FP-313 FLEXIBLE BOARD, COMPLETE (TRV17E)		261	3-059-734-01	CUSHION (1), LCD	
253	3-067-067-01	GUIDE, VF FLEXIBLE		262	X-3951-451-1	CABINET (UPPER) ASSY, VF	
254	1-681-268-11	PWB, FP-320 FLEXIBLE BOARD		263	X-3951-453-1	LENS ASSY, VF	
255	not supplied	LB-069 BOARD, COMPLETE		264	X-3951-452-1	CABINET (LOWER) ASSY, VF	
256	3-065-058-01	GUIDE, LAMP		265	3-713-791-11	SCREW (M1.7X5), TAPPING, P2	
257	not supplied	ILLUMINATOR (1)		266	X-3951-441-1	BASE ASSY, VF (TRV17E)	
258	not supplied	SHEET (2) (138), PRISM		266	X-3951-559-1	BASE ASSY, VF (TRV15E)	
259	not supplied	SHEET (1) (138), PRISM		LCD903	not supplied	LCX032AN-J	