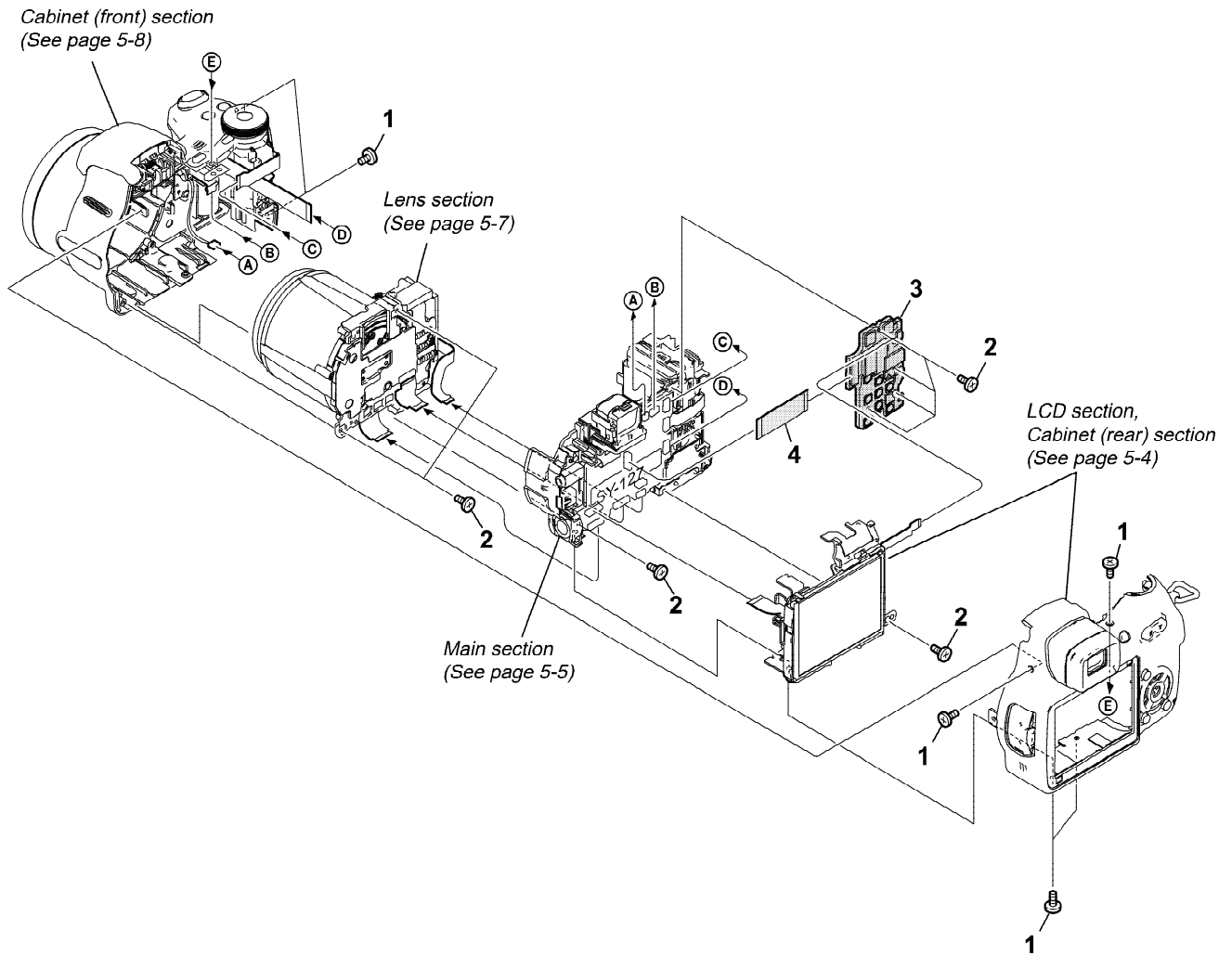


5. REPAIR PARTS LIST

5-1. EXPLODED VIEWS

5-1-1. OVERALL SECTION

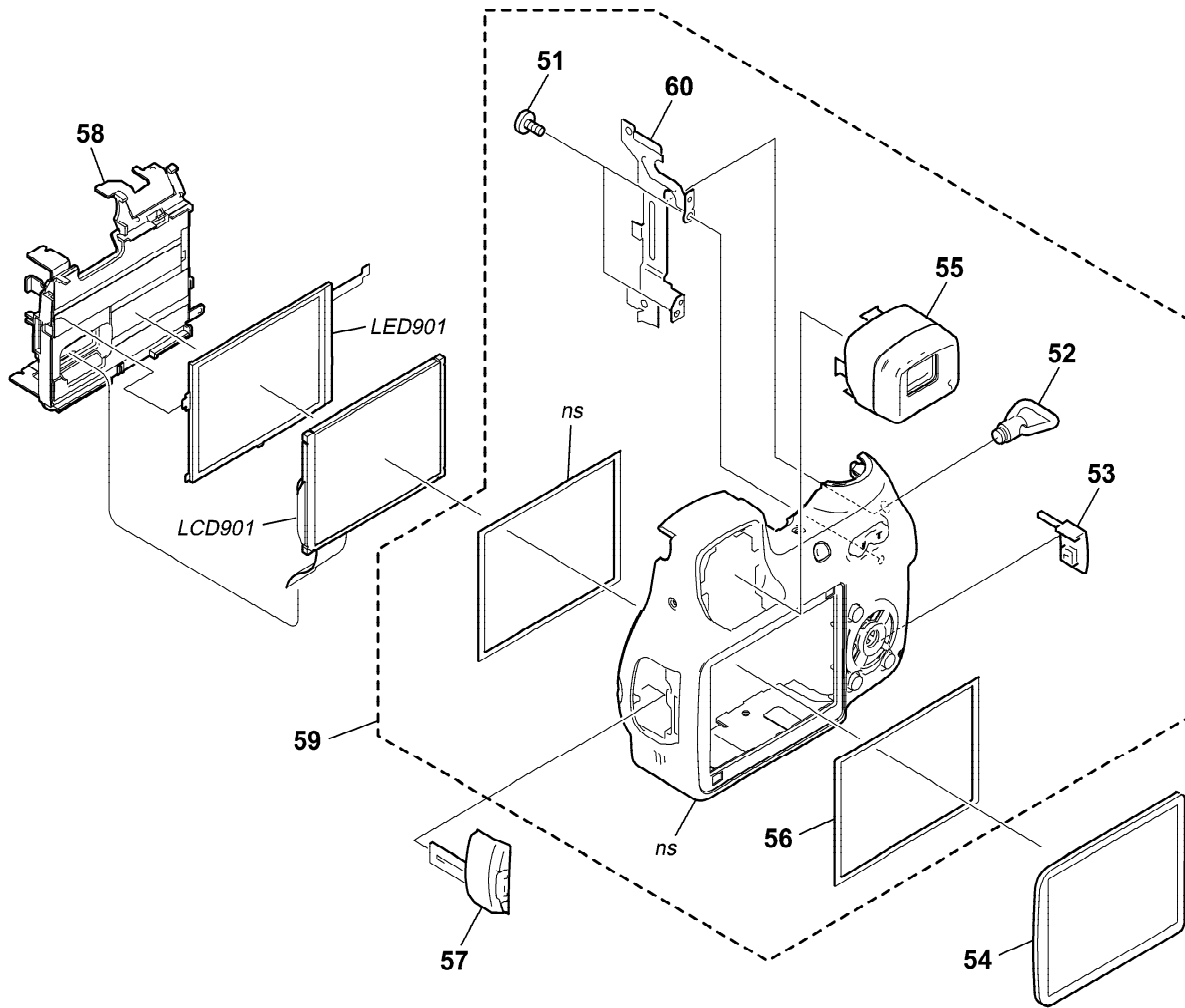


Ref. No.	Part No.	Description
1	3-056-233-21	SCREW (M2), LOCK ACE, P2
2	3-080-204-11	SCREW, TAPPING, P2
3	A-1119-330-A	SW-447 BOARD, COMPLETE
4	1-830-604-11	CABLE, FLEXIBLE FLAT (SW-006)

5. REPAIR PARTS LIST

5-1-2. LCD SECTION, CABINET(REAR) SECTION

ns : not supplied



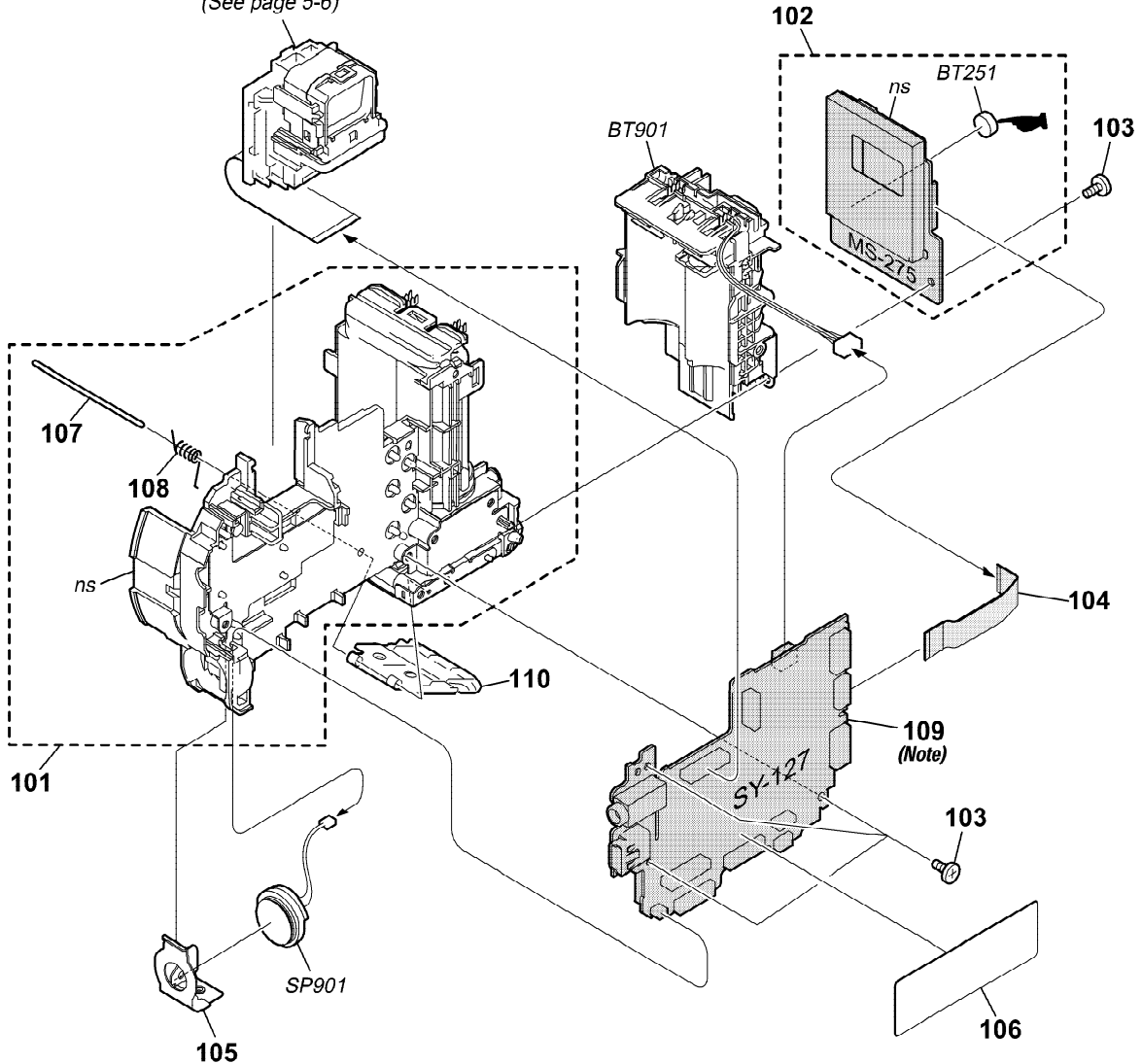
Ref. No.	Part No.	Description	Ref. No.	Part No.	Description
51	3-080-204-11	SCREW, TAPPING, P2	56	2-629-833-01	SHEET, LCD ADHESIVE
52	2-629-828-01	SHEET METAL (L), STRAP	57	2-629-834-01	LID, JK
53	2-629-831-01	LID, DC	58	X-2055-957-1	FRAME ASSY, LCD
54	2-629-769-01	WINDOW, LCD	59	X-2055-956-1	CABINET (REAR) ASSY
55	2-629-767-01	EYE CUP	60	2-629-835-01	BRACKET (L), STRAP
			LCD901	8-753-229-36	ACX336AK-3
			LED901	1-479-015-11	BLOCK, LIGHT GUIDE PLATE (2.5)

5. REPAIR PARTS LIST

5-1-3. MAIN SECTION

ns : not supplied

*EVF section
(See page 5-6)*



: BT251 (Lithium battery) MS-275 board on the mount position. (See page 4-48)

Note : Refer to the table of page 5-1 about language of SY-127 board.

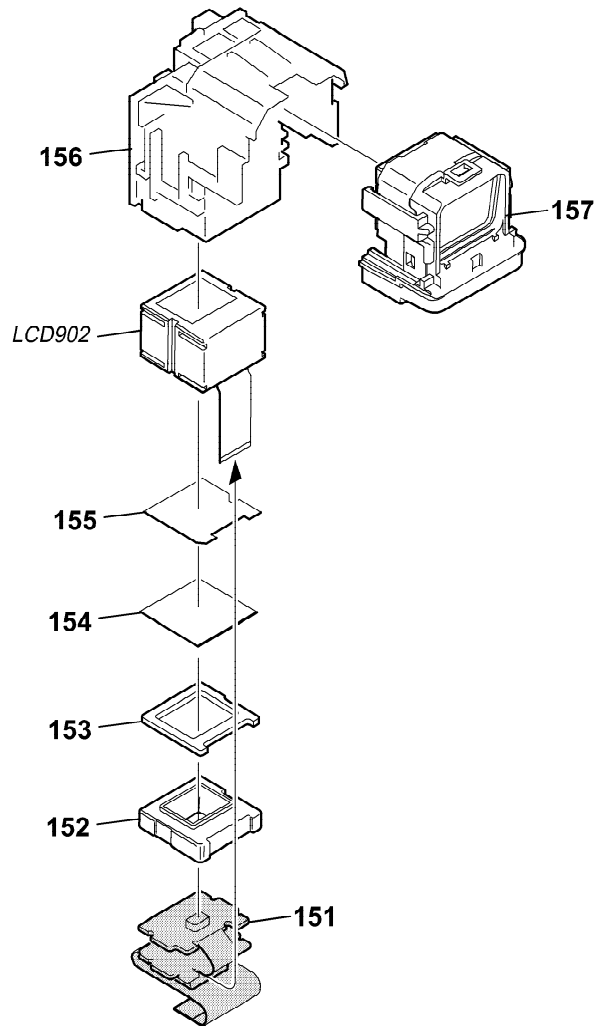
Ref. No.	Part No.	Description	Ref. No.	Part No.	Description
101	X-2055-945-1	HOLDER ASSY, BATTERY	109	A-1127-776-A	SY-127 BOARD, COMPLETE (SERVICE) (GP3)
102	A-1119-327-A	MS-275 BOARD, COMPLETE	109	A-1127-777-A	SY-127 BOARD, COMPLETE (SERVICE) (GP4)
103	3-080-204-11	SCREW, TAPPING, P2	109	A-1127-778-A	SY-127 BOARD, COMPLETE (SERVICE) (GP5)
104	1-830-602-11	CABLE, FLEXIBLE FLAT (MS-029)	110	X-2059-858-1	LID ASSY (SERVICE), BT
105	2-629-768-01	RETAINER, SP	SP901	1-825-923-41	LOUDSPEAKER (1.3CM)
106	2-630-230-01	LABEL, FUSE REPLACEMENT CAUTION	△ BT251	1-528-999-61	BATTERY, LITHIUM SECONDARY
107	2-629-759-01	SHAFT, BT	BT901	1-780-267-11	TERMINAL BOARD, BATTERY
108	2-629-760-01	SPRING, BT, OPEN			
109	A-1127-774-A	SY-127 BOARD, COMPLETE (SERVICE) (GP1)			
109	A-1127-775-A	SY-127 BOARD, COMPLETE (SERVICE) (GP2)			

<p>Note : The components identified by mark △ or dotted line with mark △ are critical for safety. Replace only with part number specified.</p>	<p>Note : Les composants identifiés par une marque △ sont critiques pour la sécurité. Ne les remplacer que par une pièce portant le numéro spécifié.</p>
---	---

CAUTION :
Danger of explosion if battery is incorrectly replaced. Replace only with the same or equivalent type.

5. REPAIR PARTS LIST

5-1-4. EVF SECTION

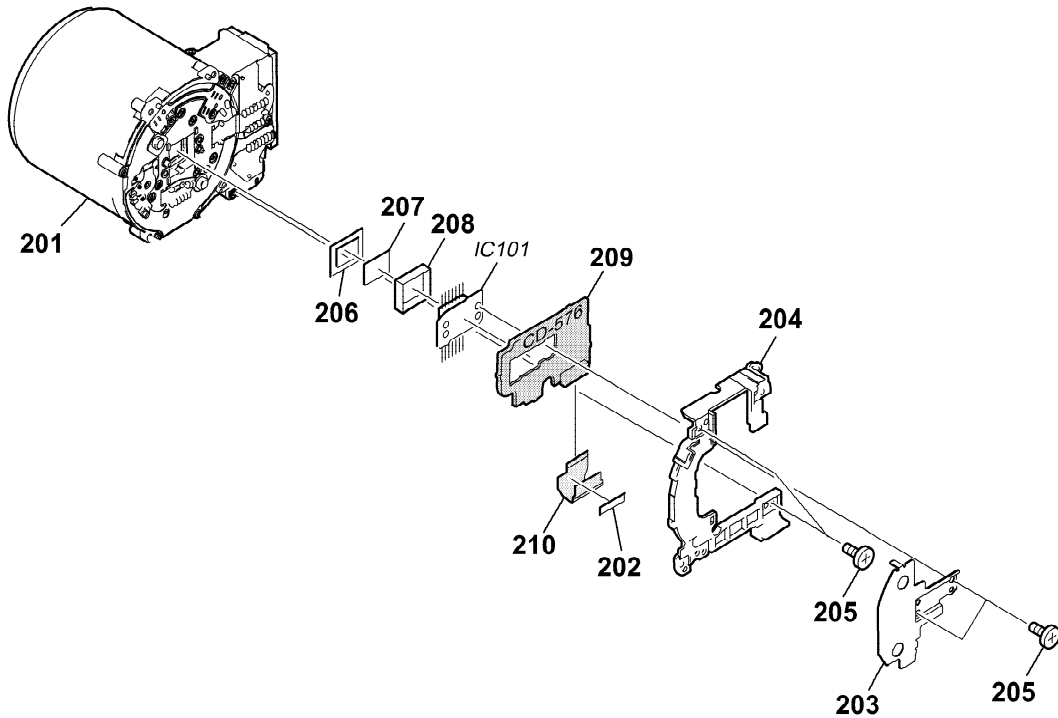


<u>Ref. No.</u>	<u>Part No.</u>	<u>Description</u>
151	A-1119-332-A	EV-016 BOARD, COMPLETE
152	3-089-447-01	GUIDE, LAMP
153	3-089-448-01	CUSHION, LB
154	3-089-445-01	ILLUMINATOR
155	3-089-446-01	SHEET, PRISM

<u>Ref. No.</u>	<u>Part No.</u>	<u>Description</u>
156	X-2055-959-1	HOLDER ASSY, LCD
157	X-2055-958-1	LENS ASSY, VF
LCD902	8-753-233-08	LCX067AKEB-1

5. REPAIR PARTS LIST

5-1-5. LENS SECTION



Ref. No.	Part No.	Description
201	A-1127-773-A	OPTICAL UNIT (B173A) (SERVICE)
202	2-631-861-01	SHEET (CD)
203	2-629-774-01	HEAT SINK, CCD
204	2-629-773-01	FRAME, LENS
205	3-078-890-21	SCREW, TAPPING

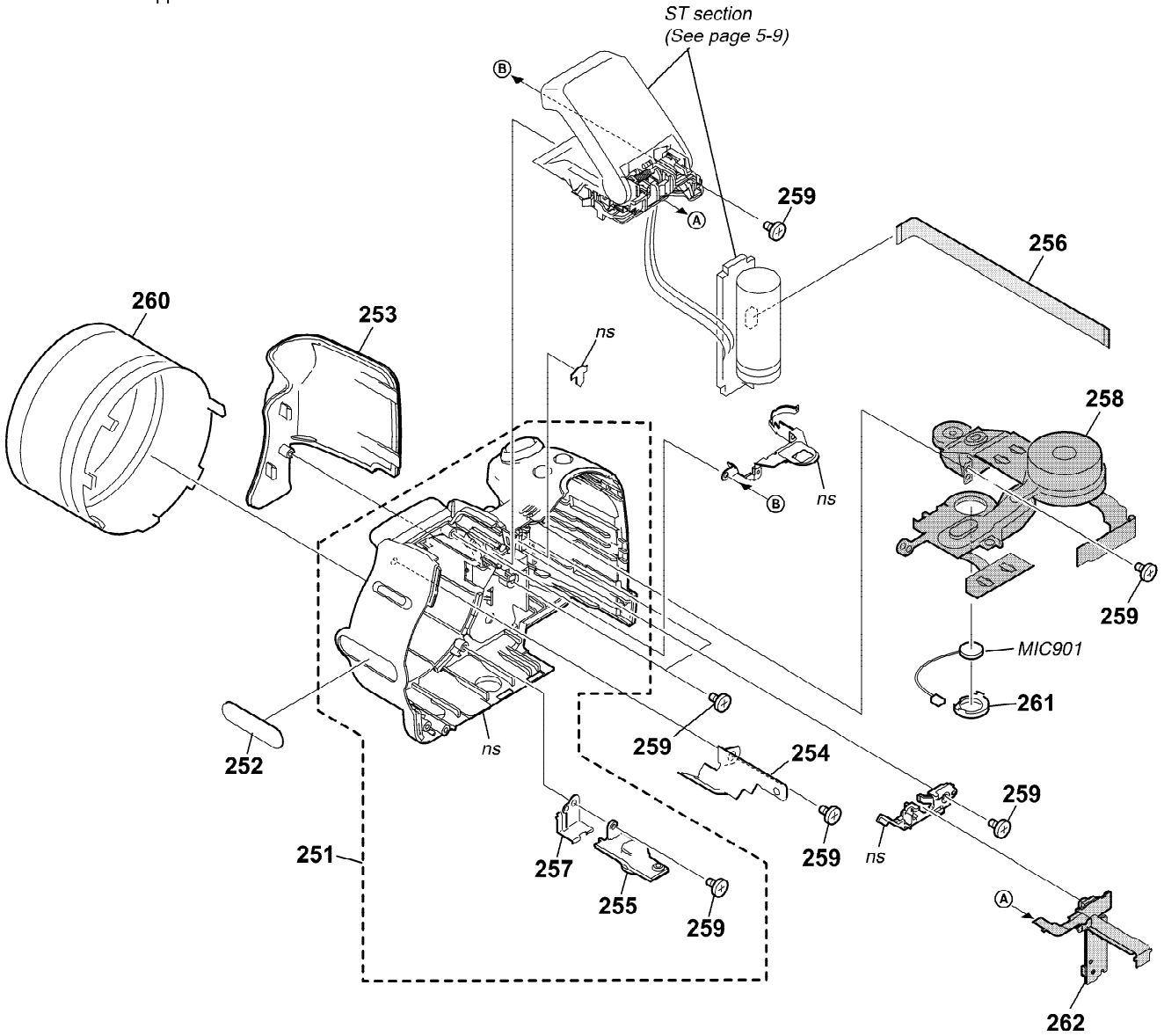
Ref. No.	Part No.	Description
206	2-592-605-01	RUBBER (TM), SEAL
207	1-788-298-11	OPTICAL FILTER BLOCK
208	2-592-693-01	PLATE (T), LIGHT INTERCEPTION
209	A-1119-326-A	CD-576 BOARD, COMPLETE (IC101 is not included in this COMPLETE board.)
210	1-867-126-11	FP-224 FLEXIBLE BOARD
IC101	A-1122-935-A	CCD BLOCK ASSY (CCD IMAGER) (IC101 is not included in this COMPLETE board of CD-576.)

Be sure to read "Precautions upon replacing CCD imager" on page 4-1 when changing the CCD imager.

5. REPAIR PARTS LIST

5-1-6. CABINET(FRONT) SECTION

ns : not supplied

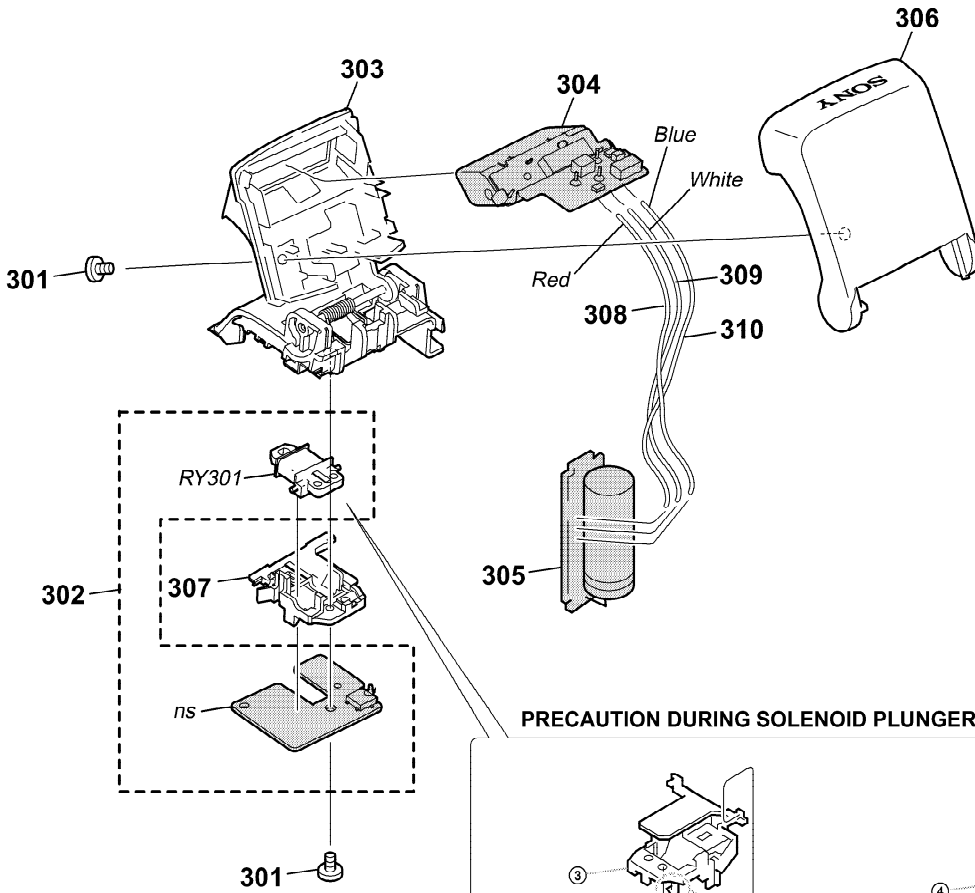


Ref. No.	Part No.	Description
251	X-2055-951-1	CABINET (FRONT) ASSY
252	2-629-813-01	PLATE, ORNAMENTAL
253	2-629-815-01	GRIP
254	2-629-812-01	SHEET METAL (R), STRAP
255	2-629-783-01	SCREW, TRIPOD

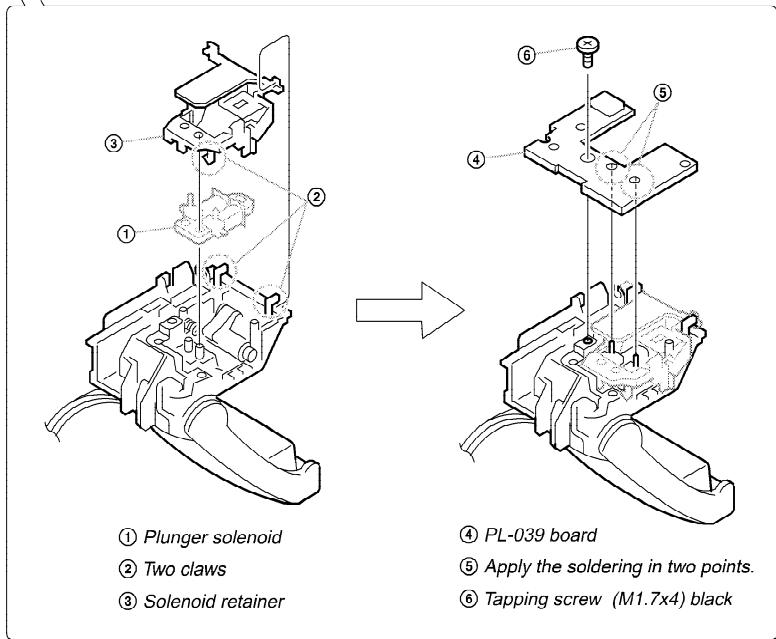
Ref. No.	Part No.	Description
256	1-830-603-11	CABLE, FLEXIBLE FLAT (ST-001)
257	2-629-781-01	PLATE (LENS), FRONT GROUND
258	1-479-260-11	SWITCH BLOCK, CONTROL (SW51780)
259	3-080-204-11	SCREW, TAPPING, P2
260	2-629-820-01	RING (W), LENS
261	2-629-817-01	HOLDER, MICROPHONE
262	A-1119-333-A	AF-102 FLEXIBLE BOARD, COMPLETE
MIC901	1-542-446-81	MICROPHONE

5. REPAIR PARTS LIST

5-1-7. ST SECTION



PRECAUTION DURING SOLENOID PLUNGER INSTALLATION



Ref. No.	Part No.	Description
301	3-080-204-11	SCREW, TAPPING, P2
302	A-1119-329-A	PL-039 BOARD, COMPLETE
303	X-2055-955-1	BASE ASSY, ST
304	A-1119-331-A	ST-124 BOARD, COMPLETE
305	A-1119-328-A	ST-123 BOARD, COMPLETE

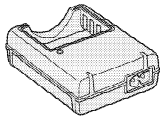
Ref. No.	Part No.	Description
306	2-629-816-01	COVER, ST
307	2-629-818-01	RETAINER, SOLENOID
308	1-963-811-11	HARNESS (HA-001) (RED)
309	1-963-811-21	HARNESS (HA-001) (WHITE)
310	1-963-811-31	HARNESS (HA-001) (BLUE)

RY301	1-455-038-11	SOLENOID, PLUNGER
-------	--------------	-------------------

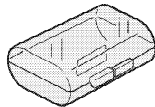
5. REPAIR PARTS LIST

Checking supplied accessories.

Make sure that the following accessories are supplied with your camcorder.



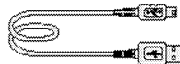
CHARGER, BATTERY (US,CND,J) (1)
 1-479-378-11
BATTERY CHARGER (BC-CS2) (1)
 (AEP,UK,E,AUS,HK,JE) (1)
 1-479-378-21
BATTERY CHARGER (BC-CS2) (1)
 (KR,CH)
 1-479-378-31



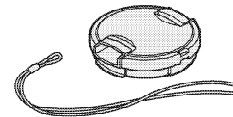
CASE, BATTERY CARRYING (1)
 3-074-757-01



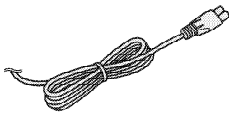
RING, ATTACHMENT (1)
 2-629-861-01



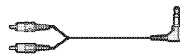
CORD WITH CONNECTOR (1)
 (USB 5P)
 1-827-038-11



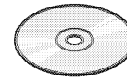
CAP ASSY, LENS (1)
 X-2055-960-1
STRING, CAP
 3-979-194-31



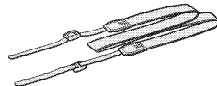
CORD, POWER (1)
 (US,CND)
 1-790-107-42
CORD, POWER (1)
 (AEP,E)
 1-823-946-12
CORD, POWER (1)
 (AUS)
 1-827-945-12
POWER-SUPPLY CORD (1)
 (KR)
 1-823-947-12
CORD, POWER (1)
 (UK,HK)
 1-783-374-12
CORD, POWER (1)
 (CH)
 1-782-476-51
CORD, POWER (1)
 (JE,J)
 1-790-732-12



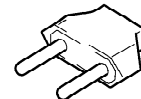
CORD, CONNECTION (1)
 1-824-519-11



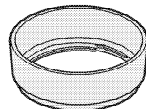
C-S APPLI SOFT V1.6 (1)
 2-583-853-01



BELT, SHOULDER (1)
 2-629-892-01



ADAPTOR, CONVERSION 2P (1)
 (JE,E)
 1-573-856-12



HOOD, LENS (1)
 2-629-860-01

- Abbreviation
- CND : Canadian model
- HK : Hong Kong model
- AUS : Australian model
- CH : Chinese model
- KR : Korea model
- JE : Tourist model
- J : Japanese model

Other accessories

- | | |
|---|---|
| <p>2-629-893-01 INSTRUCTION (READ THIS FIRST) (JAPANESE)(J)
 2-629-893-11 INSTRUCTION (READ THIS FIRST)(ENGLISH)
 (US,CND,AEP,UK,E,HK,AUS,JE)
 2-629-893-21 INSTRUCTION (READ THIS FIRST) (FRENCH/ITALIAN)
 (CND,AEP)
 2-629-893-31 INSTRUCTION (READ THIS FIRST)
 (SPANISH/PORTUGUESE)(AEP,E,JE)
 2-629-893-41 INSTRUCTION (READ THIS FIRST) (GERMAN/DUTCH)
 (AEP)
 2-629-893-51 INSTRUCTION (READ THIS FIRST)
 (TRADITIONAL CHINESE/SIMPLIFIED CHINESE)(E,HK,JE,CH)
 2-629-893-61 INSTRUCTION (READ THIS FIRST) (RUSSIAN/SWEDISH)
 (AEP)
 2-629-893-71 INSTRUCTION (READ THIS FIRST) (ARABIC/PERSIAN)(E)
 2-629-893-81 INSTRUCTION (READ THIS FIRST) (KOREAN)(KR,JE)
 2-629-893-91 INSTRUCTION (READ THIS FIRST) (POLISH/CZECH)
 (AEP)
 2-629-894-11 INSTRUCTION (READ THIS FIRST)
 (HUNGARIAN/SLOVAK)(AEP)</p> | <p>2-629-895-01 INSTRUCTION (USER'S GUIDE) (JAPANESE)(J)
 2-629-895-11 INSTRUCTION (USER'S GUIDE) (ENGLISH)
 (US,CND,AEP,UK,E,HK,AUS,JE)
 2-629-895-21 INSTRUCTION (USER'S GUIDE) (FRENCH/ITALIAN)
 (CND,AEP)
 2-629-895-31 INSTRUCTION (USER'S GUIDE)
 (SPANISH/PORTUGUESE)(AEP,E,JE)
 2-629-895-41 INSTRUCTION (USER'S GUIDE) (GERMAN/DUTCH)(AEP)
 2-629-895-51 INSTRUCTION (USER'S GUIDE)
 (TRADITIONAL CHINESE/SIMPLIFIED CHINESE)(E,HK,JE,CH)
 2-629-895-61 INSTRUCTION (USER'S GUIDE) (RUSSIAN/SWEDISH)
 (AEP)
 2-629-895-71 INSTRUCTION (USER'S GUIDE) (ARABIC/PERSIAN)(E)
 2-629-895-81 INSTRUCTION (USER'S GUIDE) (KOREAN)(KR)
 2-629-895-91 INSTRUCTION (USER'S GUIDE) (POLISH/CZECH)(AEP)
 2-629-943-11 INSTRUCTION (USER'S GUIDE) (HUNGARIAN/SLOVAK)
 (AEP)</p> |
|---|---|

5-2. ELECTRICAL PARTS LIST

Ref. No.	Part No.	Description
	A-1119-333-A	AF-102 FLEXIBLE BOARD, COMPLETE ***** (D001 and S001 are included in this COMPLETE board.)
		< DIODE >
D001	not supplied	DIODE DOR5073
		< SWITCH >
S001	not supplied	SWITCH, PUSH (1 KEY)
	A-1119-326-A	CD-576 BOARD, COMPLETE ***** (IC101 is not included in this COMPLETE board.)
		< CAPACITOR >
C101	1-164-943-81	CERAMIC CHIP 0.01uF 10% 16V
C102	1-107-826-11	CERAMIC CHIP 0.1uF 10% 16V
C105	1-107-826-11	CERAMIC CHIP 0.1uF 10% 16V
C107	1-107-826-11	CERAMIC CHIP 0.1uF 10% 16V
C109	1-107-826-11	CERAMIC CHIP 0.1uF 10% 16V
		< CONNECTOR >
CN101	1-817-544-31	CONNECTOR, FPC (ZIF) 39P
		< IC >
IC101	A-1122-935-A	CCD BLOCK ASSY (CCD IMAGER) (IC101 is not included in this COMPLETE of CD-576 board.)
IC102	8-753-230-85	IC CXA3691EN-T9
		< TRANSISTOR >
Q102	6-550-119-01	TRANSISTOR DTC144EMT2L
Q104	6-550-119-01	TRANSISTOR DTC144EMT2L
		< RESISTOR >
R104	1-218-955-11	RES-CHIP 1.5K 5% 1/16W
R105	1-218-954-11	RES-CHIP 1.2K 5% 1/16W
R106	1-218-981-11	RES-CHIP 220K 5% 1/16W
R108	1-218-990-81	SHORT CHIP 0
R109	1-218-982-11	RES-CHIP 270K 5% 1/16W
R110	1-218-989-11	RES-CHIP 1M 5% 1/16W
	A-1119-332-A	EV-016 FLEXIBLE BOARD, COMPLETE *****
		< CONNECTOR >
CN001	1-817-560-31	CONNECTOR, FPC (ZIP) 21P
		< DIODE >
D001	6-501-154-01	DIODE NSCW455AT-TY5

Be sure to read "Precautions upon replacing CCD imager" on page 4-1 when changing the CCD imager.

Ref. No.	Part No.	Description
	A-1119-327-A	MS-275 BOARD, COMPLETE *****
		< BATTERY >
△BT251	1-756-539-21	BATTERY, LITHIUM SECONDARY
		< CAPACITOR >
C252	1-125-777-11	CERAMIC CHIP 0.1uF 10% 10V
		< CONNECTOR >
CN251	1-816-644-31	FFC/FPC CONNECTOR (LIF) 12P
CN252	1-815-572-71	CONNECTOR, MEMORY STICK
		< FERRITE BEAD >
FB251	1-400-807-21	BEAD, FERRITE (1005)
FB252	1-400-807-21	BEAD, FERRITE (1005)
FB253	1-400-807-21	BEAD, FERRITE (1005)
FB254	1-400-807-21	BEAD, FERRITE (1005)
		< RESISTOR >
R251	1-218-990-81	SHORT CHIP 0
R253	1-218-953-11	RES-CHIP 1K 5% 1/16W
	A-1119-329-A	PL-039 BOARD, COMPLETE *****
		< CAPACITOR >
C301	1-165-908-11	CERAMIC CHIP 1uF 10% 10V
		< CONNECTOR >
CN301	1-816-654-31	FFC/FPC CONNECTOR (LIF) 6P
		< DIODE >
D302	8-719-988-61	DIODE 1SS355TE-17
		< RELAY >
RY301	1-455-038-11	SOLENOID, PLUNGER
		< SWITCH >
S301	1-786-179-31	SWITCH, PUSH (1KEY)

Note :
The components identified by mark △ or dotted line with mark △ are critical for safety. Replace only with part number specified.

Note :
Les composants identifiés par une marque △ sont critiques pour la sécurité. Ne les remplacer que par une pièce portant le numéro spécifié.

CAUTION :
Danger of explosion if battery is incorrectly replaced. Replace only with the same or equivalent type.

Ref. No.	Part No.	Description
	A-1119-328-A	ST-123 BOARD, COMPLETE *****
		< CAPACITOR >
C001	1-100-611-91	CERAMIC CHIP 22uF 20% 6.3V
C002	1-100-506-91	CERAMIC CHIP 1uF 20% 6.3V
△C004	1-112-468-11	ELECT 205uF 99% 330V
C005	1-100-611-91	CERAMIC CHIP 22uF 20% 6.3V
		< CONNECTOR >
CN001	1-816-644-31	FFC/FPC CONNECTOR (LIF) 12P
		< DIODE >
△D001	6-501-141-01	DIODE FT02P80TP
		< IC >
△IC001	6-707-555-01	IC TPS65552RGTR
		< COIL >
L001	1-456-499-11	INDUCTOR 4.7uH
		< TRANSISTOR >
△Q001	6-550-656-01	TRANSISTOR CY25BAJ-8F-T23
		< RESISTOR >
R001	1-216-864-11	SHORT CHIP 0
R002	1-243-975-81	METAL CHIP 4.7M 5% 1/16W
R003	1-218-935-11	RES-CHIP 33 5% 1/16W
		< TRANSFORMER >
△T001	1-443-689-11	TRANSFORMER, D.C.-D.C.CONVERTER
	A-1119-331-A	ST-124 FLEXIBLE BOARD, COMPLETE *****
△	1-479-261-11	FLASH UNIT
		< CAPACITOR >
C002	1-100-758-11	CERAMIC CHIP 0.047uF 10% 250V
C003	1-100-761-21	CERAMIC CHIP 0.01uF 10% 250V
		< DIODE >
D001	6-500-811-01	DIODE RR255L-400TE25
		< COIL >
L001	1-456-193-11	COIL, TRIGGER
		< RESISTOR >
R001	1-216-121-11	RES-CHIP 1M 5% 1/10W
R002	1-216-097-11	RES-CHIP 100K 5% 1/10W

Ref. No.	Part No.	Description
	A-1119-330-A	SW-447 BOARD, COMPLETE *****
		< CAPACITOR >
C401	1-119-750-11	TANTAL. CHIP 22uF 20% 6.3V
C402	1-119-750-11	TANTAL. CHIP 22uF 20% 6.3V
C403	1-125-777-11	CERAMIC CHIP 0.1uF 10% 10V
C404	1-128-934-61	CERAMIC CHIP 0.33uF 10% 10V
C405	1-119-923-11	CERAMIC CHIP 0.047uF 10% 10V
C406	1-137-710-11	CERAMIC CHIP 10uF 20% 6.3V
C407	1-119-923-11	CERAMIC CHIP 0.047uF 10% 10V
C408	1-137-710-11	CERAMIC CHIP 10uF 20% 6.3V
C409	1-137-710-11	CERAMIC CHIP 10uF 20% 6.3V
C410	1-119-923-11	CERAMIC CHIP 0.047uF 10% 10V
C411	1-125-777-11	CERAMIC CHIP 0.1uF 10% 10V
C412	1-137-710-11	CERAMIC CHIP 10uF 20% 6.3V
C413	1-119-923-11	CERAMIC CHIP 0.047uF 10% 10V
C414	1-128-934-61	CERAMIC CHIP 0.33uF 10% 10V
C415	1-125-777-11	CERAMIC CHIP 0.1uF 10% 10V
C416	1-119-750-11	TANTAL. CHIP 22uF 20% 6.3V
		< CONNECTOR >
CN451	1-818-046-11	FFC/CONNECTOR, FPC (LIF (NON-ZIF)) 20P
CN452	1-818-619-21	CONNECTOR, FFC/FPC (ZIF) 6P
		< DIODE >
D451	8-719-056-23	DIODE MA2S111-(K8).SO
D452	6-500-776-01	DIODE MAZW068HOLS0
D455	8-719-064-07	DIODE SML-310LTT86
		< IC >
IC0401	8-759-489-19	IC uPC6756GR-8JG-E2
		< COIL >
L401	1-469-757-21	INDUCTOR 10uH
		< TRANSISTOR >
Q401	6-550-232-01	TRANSISTOR 2SA2029T2LQ/R
Q402	6-550-119-01	TRANSISTOR DTC144EMT2L
		< RESISTOR >
R401	1-218-969-11	RES-CHIP 22K 5% 1/16W
R402	1-218-969-11	RES-CHIP 22K 5% 1/16W
R403	1-218-967-11	RES-CHIP 15K 5% 1/16W
R404	1-218-989-11	RES-CHIP 1M 5% 1/16W
R405	1-218-965-11	RES-CHIP 10K 5% 1/16W
R406	1-218-989-11	RES-CHIP 1M 5% 1/16W
R407	1-218-965-11	RES-CHIP 10K 5% 1/16W
R408	1-218-967-11	RES-CHIP 15K 5% 1/16W
R409	1-218-969-11	RES-CHIP 22K 5% 1/16W
R410	1-218-969-11	RES-CHIP 22K 5% 1/16W

Note :
 The components identified by mark △ or dotted line with mark △ are critical for safety. Replace only with part number specified.

Note :
 Les composants identifiés par une marque △ sont critiques pour la sécurité. Ne les remplacer que par une pièce portant le numéro spécifié.

Ref. No.	Part No.	Description			
R411	1-218-953-11	RES-CHIP	1K	5%	1/16W
R412	1-218-973-11	RES-CHIP	47K	5%	1/16W
R453	1-208-671-11	METAL CHIP	330	0.5%	1/16W
R454	1-218-962-11	RES-CHIP	5.6K	5%	1/16W
R455	1-218-970-11	RES-CHIP	27K	5%	1/16W
R456	1-218-970-11	RES-CHIP	27K	5%	1/16W
R457	1-218-962-11	RES-CHIP	5.6K	5%	1/16W

< COMPOSITION CIRCUIT BLOCK >

RB451	1-234-376-21	RES, NETWORK	2.2K (1005X4)
RB452	1-234-376-21	RES, NETWORK	2.2K (1005X4)

< SWITCH >

S451	1-786-157-11	SWITCH, TACTILE (DISP)
S452	1-786-157-11	SWITCH, TACTILE (MENU)
S453	1-786-157-11	SWITCH, TACTILE (DUST)
S454	1-786-157-11	SWITCH, TACTILE (LEFT)
S455	1-786-525-31	TACTILE SWITCH (ZOOM T)
S456	1-786-157-11	SWITCH, TACTILE (UP)
S457	1-786-157-11	SWITCH, TACTILE (SET)
S458	1-786-157-11	SWITCH, TACTILE (DOWN)
S459	1-786-525-31	TACTILE SWITCH (ZOOM W)
S460	1-786-157-11	SWITCH, TACTILE (RIGHT)

< SENSOR >

SE401	1-476-807-31	SENSOR, ANGULAR VELOCITY (PITCH)
SE402	1-476-807-41	SENSOR, ANGULAR VELOCITY (YAW)

SY-127 BOARD, COMPLETE

Electrical parts list of the SY-127 board are not shown.
 Pages from 5-14 to 5-18 are not shown.