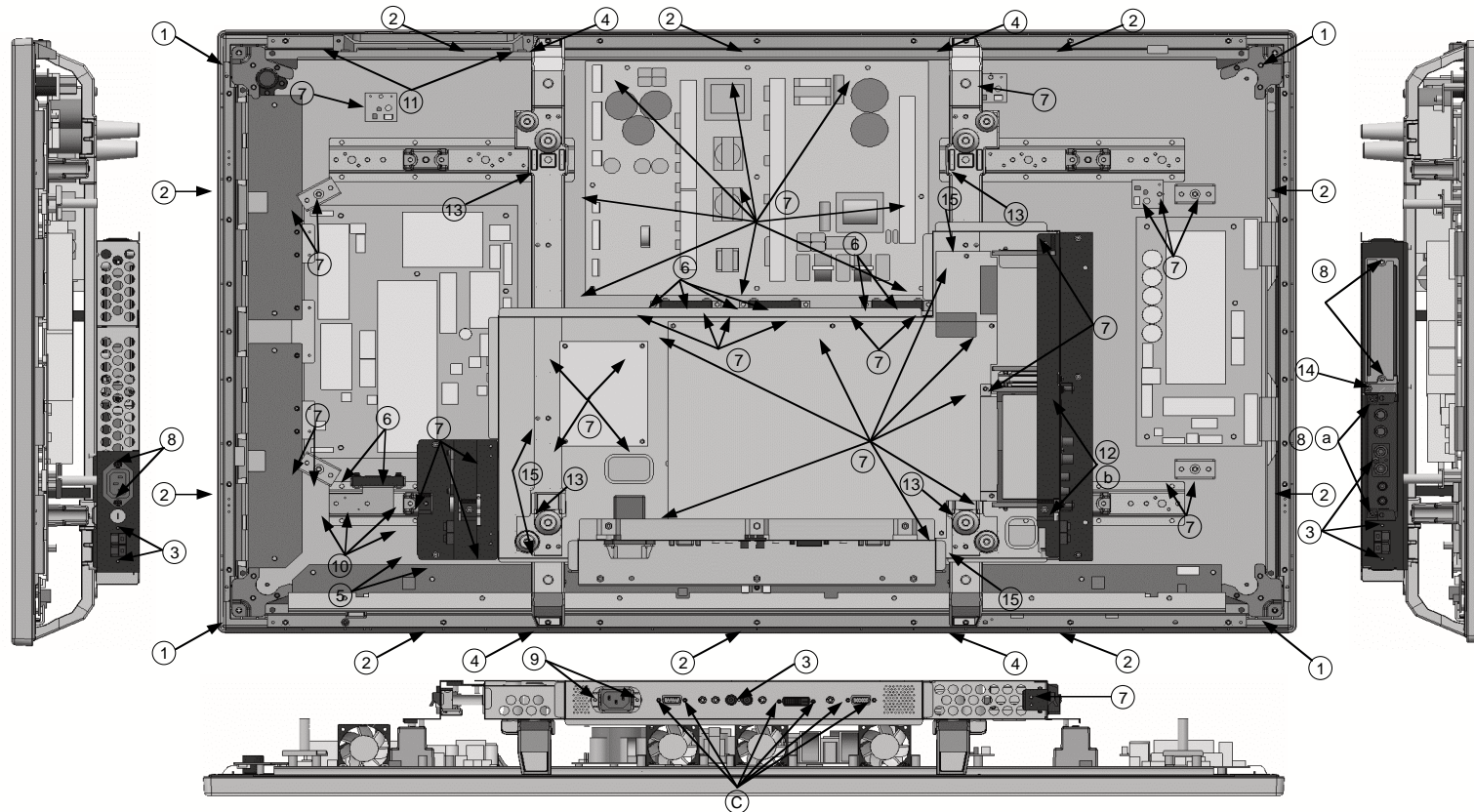


SCREW PART LIST(1)



- 32 -

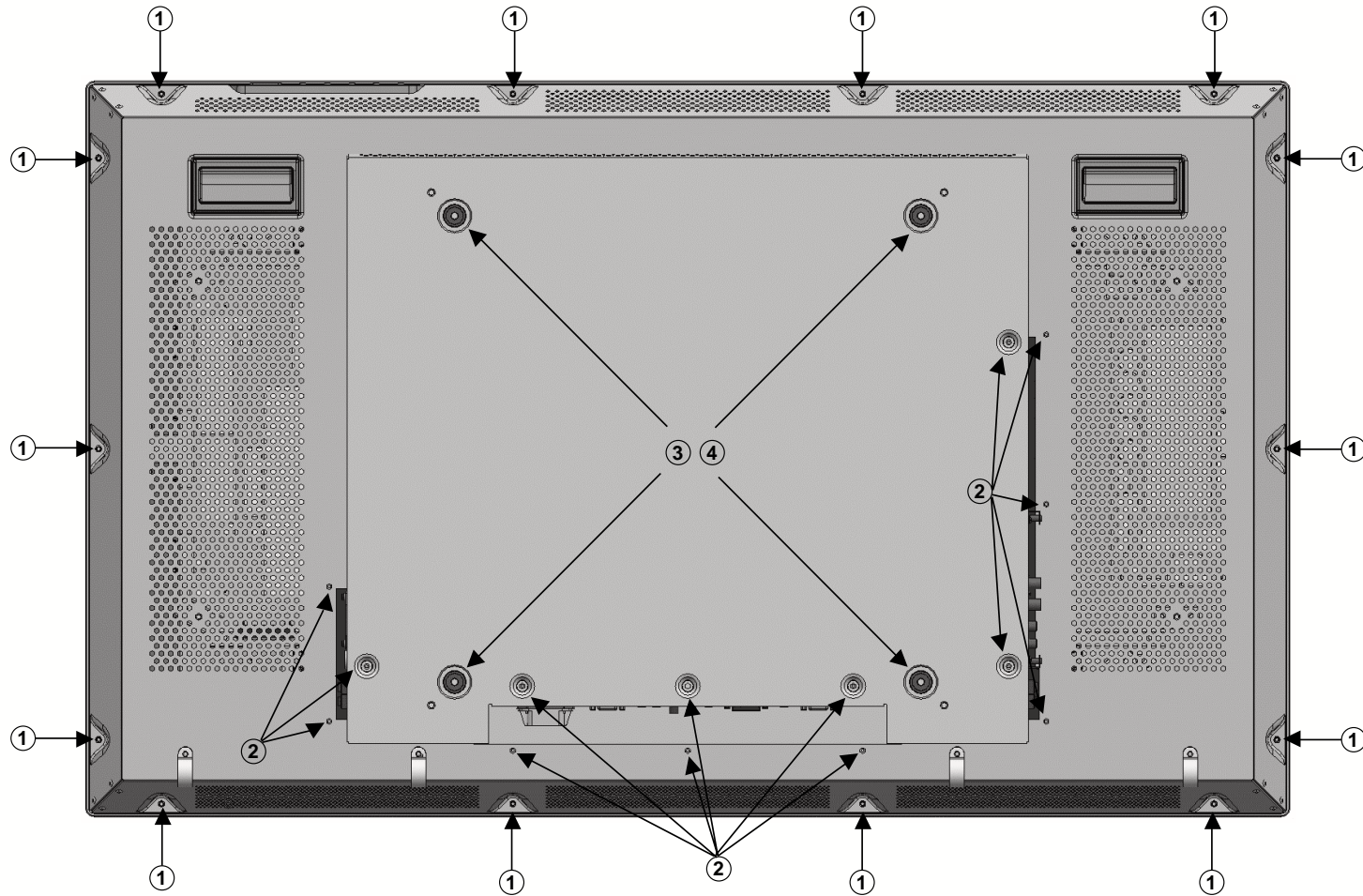
	P/NO	EA
1	1SZZTMP007C	4
2	332-102C	10
3	332-113E	6
4	332-122E	4
5	339-006B	2
6	339-008F	8

	P/NO	EA
7	339-008H	43
8	339-008K	6
9	339-008L	2
10	339-009C	4
11	332-095B	2
12	1SZZTMF012A	2

	P/NO	
13	1SZZTMB005B	4
14	332-241A	1
15	332-241D	4
a	1NHB0302118	2
b	1WZZTKK005A	2
c	1SZZTMH005A	6

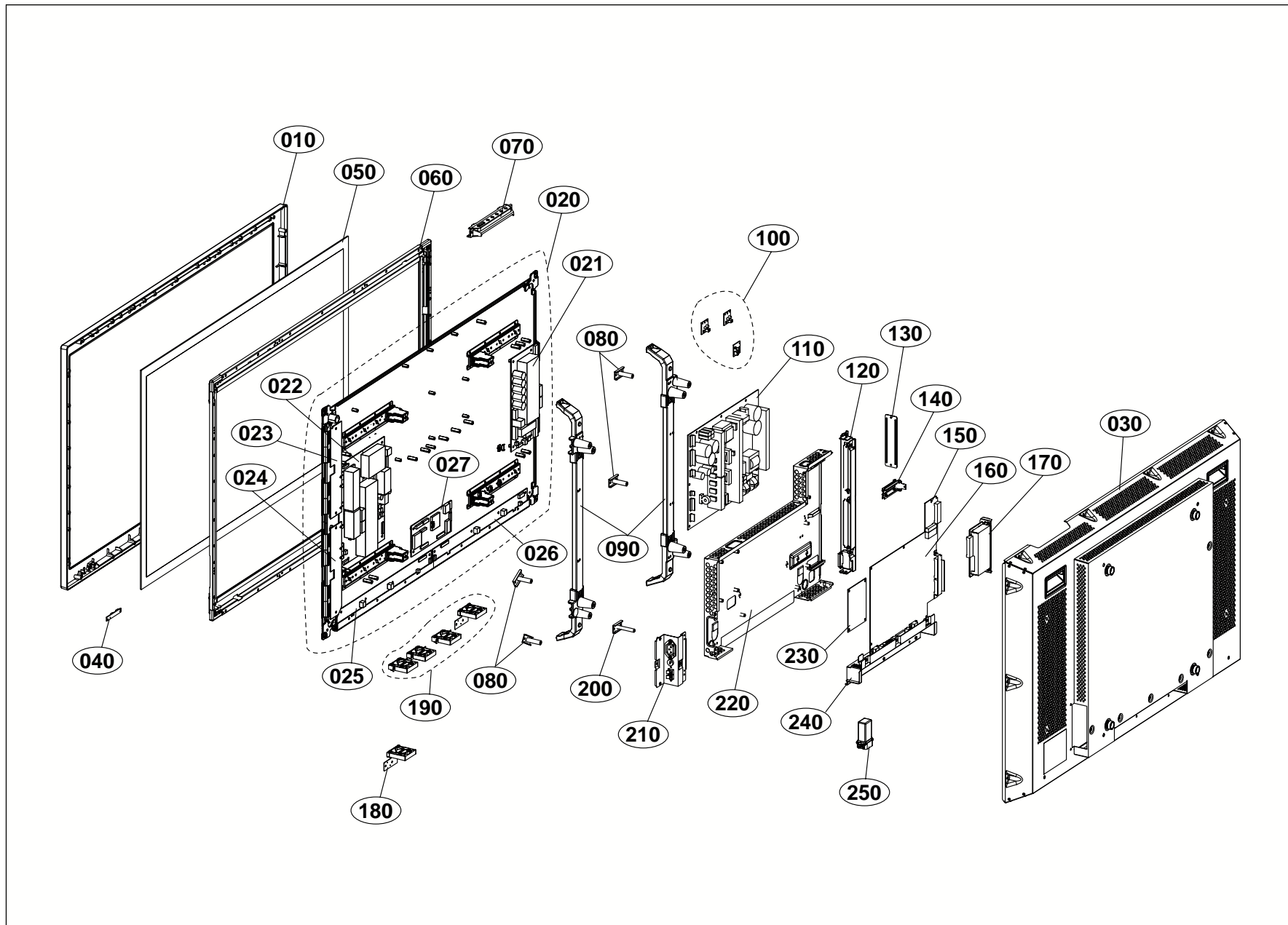
TOTAL SCREW P/NO	
LG	3911TKK476 G
SONY	X-2055-059-1

SCREW PART LIST(2)



	P/NO	EA		TOTAL SCREW P/NO
1	332-102R	14	LG	3911TKK476H
2	339-008K	14	SONY	X-2055-060-1
3	1WZZTKK004B	4	LG	3911TKK476E
4	1SZZTMH003B	4	SONY	X-2022-847-1

EXPLODED VIEW



EXPLODED VIEW PARTS LIST

Ref. No.	Part No.	Description
010	3091TKE033A	CABINET ASSEMBLY, PS420VC SONY E022 BK
	3091TKE033B	CABINET ASSEMBLY, PS420VC SONY E022 SILVER
	3091TKE033C	CABINET ASSEMBLY, PS420VC SONY E022 BK PORTRAIT
020	6348Q-E065P	PDP, 42" 16:9 852*480 PDP42V70001.AKLG
021	6871QZH041A	PWB(PCB) ASSEMBLY,DISPLAY, ZSUS ASSY HAND INSERT 42V7 ZSUS HAND INSERT ASSY
022	6871QYH036A	PWB(PCB) ASSEMBLY,DISPLAY, YSUS ASSY HAND INSERT 42V7
023	6871QDH084A	PWB(PCB) ASSEMBLY,DISPLAY, YDRV ASSY HAND INSERT 42V7 YDRV TOP B/D
024	6871QDH085A	PWB(PCB) ASSEMBLY,DISPLAY, YDRV ASSY HAND INSERT 42V7 YDRV BTM B/D
025	6871QLH047A	PWB(PCB) ASSEMBLY,DISPLAY, XRLT ASSY HAND INSERT 42V7 XL B/D
026	6871QRH055A	PWB(PCB) ASSEMBLY,DISPLAY, XRRT ASSY HAND INSERT 42V7 XR B/D
027	6871QCH053A	PWB(PCB) ASSEMBLY,DISPLAY, CTRL ASSY HAND INSERT 42V7 FPGA
030	4815TKK044A	SHIELD ASSEMBLY, REAR BACK,PS420VC(BK)
	4815TKK044B	SHIELD ASSEMBLY, BACK, PORTRAIT ,PS420VCP(BK)
040	6871TST916A	PWB(PCB) ASSEMBLY,SUB, PS420VC LED & P/SW TOTAL SONY REMOTE CONTROL
050	5230TKK005A	FILTER(MECH), ASAHI GLASS J7T(PDF-69J07H) TOPPAN MESH FILM, 40%
060	4951TKS107A	METAL ASSEMBLY, FRAME FRONT SONY PDP42"
070	6871TST917B	PWB(PCB) ASSEMBLY,SUB, PS420VC CONTROL TOTAL SONY KEY PAD(BLACK)
080	4950TKS351A	METAL, SUPPORT SPEAKER BRACKET, PS420VC
090	4950TKS348A	METAL, FRAME MODULE, PS420VC
100	6871TST947A	PWB(PCB) ASSEMBLY,SUB, PS420XB/VC(PB FREE) SUB TOTAL SONY TEMP SENSOR
110	6871TPT311A	PWB(PCB) ASSEMBLY,POWER, PS420VC POWER TOTAL BRAND KN-POWERTEK
120	6871TST918B	PWB(PCB) ASSEMBLY,SUB, PS420XB/VC(PB FREE) SUB TOTAL SONY OPTION SHIELD BLACK(L SPEAKER)
130	4950TKA179A	METAL, PLATE COVER OPTION, PS420VC
140	4951TKS235A	METAL ASSEMBLY, FRAME OPTION GUIDE, PS420VC
150	6871TST924A	PWB(PCB) ASSEMBLY,SUB, PS420VC(PB FREE) SUB TOTAL SONY CONNECTION BOARD
160	6871TMTA04A	PWB(PCB) ASSEMBLY,MAIN, PS420VC(PB FREE) APUSL SONY CL-86 TOTAL
170	6871TKT301A	PWB(PCB) ASSEMBLY,INTERFACE, BKM-FW10(PB FREE) INTERFACE TOTAL SONY OPTION 1
180	6871TSTA74B	PWB(PCB) ASSEMBLY,SUB, PS420VC ETC TOTAL SONY FAN ASSY(1EA)
190	6871TSTA74A	PWB(PCB) ASSEMBLY,SUB, PS420VC ETC TOTAL SONY FAN ASSY(1EA)
200	4950TKS351B	METAL, SUPPORT AC SOCKET, PS420VC
210	6871TST919B	PWB(PCB) ASSEMBLY,SUB, PS420XB/VC(PB FREE) SUB TOTAL SONY AC-OUTLET(R SPEAKER)
220	4815TKK045A	SHIELD ASSEMBLY, BOTTOM VSC PCB,PS420VC
230	6871TST915A	PWB(PCB) ASSEMBLY,SUB, PS420XB/VC(PB FREE) SOUND TOTAL SONY AUDIO AMP
240	4950TKA176A	METAL, SHIELD COVER MAIN INTERFACE, PS420VC
250	6200TJB001R	FILTER(CIRC), EMC ID-N10BEH DONGIL BK PS420VC LF

REPLACEMENT PARTS LIST

CAUTION: BEFORE REPLACING ANY OF THESE COMPONENTS,
READ CAREFULLY THE **SAFETY PRECAUTIONS** IN THIS MANUAL.

* NOTE : **S** SAFETY Mark 
AL ALTERNATIVE PARTS

DATE: 2005. 01. 21.				
*S	*AL	LOC. NO.	PART NO.	DESCRIPTION / SPECIFICATION
MAIN BOARD				
CAPACITORS				
		C1	OCK104CK56A	0.1UF 1608 50V 10% R/TP X7R
		C10	0CH3104K566	0.1UF 50V 10% X7R 2012 R/TP
		C100	0CH3104K566	0.1UF 50V 10% X7R 2012 R/TP
		C101	0CH3104K566	0.1UF 50V 10% X7R 2012 R/TP
		C102	0CH3104K566	0.1UF 50V 10% X7R 2012 R/TP
		C103	0CH3104K566	0.1UF 50V 10% X7R 2012 R/TP
		C104	0CH3104K566	0.1UF 50V 10% X7R 2012 R/TP
		C105	0CH3104K566	0.1UF 50V 10% X7R 2012 R/TP
		C106	0CH3104K566	0.1UF 50V 10% X7R 2012 R/TP
		C107	0CH3104K566	0.1UF 50V 10% X7R 2012 R/TP
		C108	0CH6150K416	15PF 50V J NP0 2012 R/TP
		C109	0CC3R3CK01A	3.3PF 1608 50V 0.25 PF R/TP
		C11	0CH3104K566	0.1UF 50V 10% X7R 2012 R/TP
		C110	0CC3R3CK01A	3.3PF 1608 50V 0.25 PF R/TP
		C112	OCK105CD56A	1UF 1608 10V 10% R/TP X7R
		C113	0CZZTAT006A	RV2-16V100MU-R ELNA 16V 10UF
		C114	0CZZTAT006A	RV2-16V100MU-R ELNA 16V 10UF
		C115	0CZZTAT006A	RV2-16V100MU-R ELNA 16V 10UF
		C116	0CZZTAT006A	RV2-16V100MU-R ELNA 16V 10UF
		C117	OCK104CK56A	0.1UF 1608 50V 10% R/TP X7R
		C118	0CZZTAT006A	RV2-16V100MU-R ELNA 16V 10UF
		C12	0CH3104K566	0.1UF 50V 10% X7R 2012 R/TP
		C120	OCK104CK56A	0.1UF 1608 50V 10% R/TP X7R
		C121	OCK104CK56A	0.1UF 1608 50V 10% R/TP X7R
		C122	OCK104CK56A	0.1UF 1608 50V 10% R/TP X7R
		C123	OCK104CK56A	0.1UF 1608 50V 10% R/TP X7R
		C124	OCK104CK56A	0.1UF 1608 50V 10% R/TP X7R
		C125	0CC821CK41A	820PF 1608 50V 5% R/TP NP0
		C126	0CC821CK41A	820PF 1608 50V 5% R/TP NP0
		C127	OCK104CK56A	0.1UF 1608 50V 10% R/TP X7R
		C128	OCK104CK56A	0.1UF 1608 50V 10% R/TP X7R
		C129	OCK103CK51A	0.01UF 1608 50V 10% R/TP B(Y)
		C13	OCK104CK56A	0.1UF 1608 50V 10% R/TP X7R
		C130	OCK104CK56A	0.1UF 1608 50V 10% R/TP X7R
		C131	OCK104CK56A	0.1UF 1608 50V 10% R/TP X7R
		C132	0CH3103K516	10000PF 50V 10% B(Y5P) 2012
		C133	0CH3104K566	0.1UF 50V 10% X7R 2012 R/TP
		C134	0CC101CK41A	100PF 1608 50V 5% R/TP NP0
		C135	0CC101CK41A	100PF 1608 50V 5% R/TP NP0
		C136	OCK104CK56A	0.1UF 1608 50V 10% R/TP X7R
		C137	0CH3104K566	0.1UF 50V 10% X7R 2012 R/TP
		C138	DCH7106F621	10UF 16V M 3528MM TP(-)
		C139	DCH7106F621	10UF 16V M 3528MM TP(-)
		C14	OCK104CK56A	0.1UF 1608 50V 10% R/TP X7R
		C140	OCK103CK51A	0.01UF 1608 50V 10% R/TP B(Y)
		C141	OCK105CD56A	1UF 1608 10V 10% R/TP X7R
		C142	0CH3104K566	0.1UF 50V 10% X7R 2012 R/TP
		C143	0CH3104K566	0.1UF 50V 10% X7R 2012 R/TP
		C144	OCK104CK56A	0.1UF 1608 50V 10% R/TP X7R
		C145	0CH3104K566	0.1UF 50V 10% X7R 2012 R/TP
		C146	OCK104CK56A	0.1UF 1608 50V 10% R/TP X7R
		C147	OCK104CK56A	0.1UF 1608 50V 10% R/TP X7R

DATE: 2005. 01. 21.				
*S	*AL	LOC. NO.	PART NO.	DESCRIPTION / SPECIFICATION
		C148	OCK104CK56A	0.1UF 1608 50V 10% R/TP X7R
		C149	OCK104CK56A	0.1UF 1608 50V 10% R/TP X7R
		C15	0CH3104K566	0.1UF 50V 10% X7R 2012 R/TP
		C150	0CH3104K566	0.1UF 50V 10% X7R 2012 R/TP
		C151	0CH3104K566	0.1UF 50V 10% X7R 2012 R/TP
		C152	OCK103CK51A	0.01UF 1608 50V 10% R/TP B(Y)
		C153	OCK105CD56A	1UF 1608 10V 10% R/TP X7R
		C154	0CC180CK41A	18PF 1608 50V 5% R/TP NP0
		C155	0CC180CK41A	18PF 1608 50V 5% R/TP NP0
		C156	0CH6331K416	330PF 50V J NP0 2012 R/TP
		C157	0CH3104K566	0.1UF 50V 10% X7R 2012 R/TP
		C158	0CH6102K406	1000PF 50V J SL 2012 R/TP
		C159	OCK104CK56A	0.1UF 1608 50V 10% R/TP X7R
		C16	DCH7106F621	10UF 16V M 3528MM TP(-)
		C160	OCK104CK56A	0.1UF 1608 50V 10% R/TP X7R
		C161	OCK104CK56A	0.1UF 1608 50V 10% R/TP X7R
		C162	OCK104CK56A	0.1UF 1608 50V 10% R/TP X7R
		C163	0CH6331K416	330PF 50V J NP0 2012 R/TP
		C164	0CH6331K416	330PF 50V J NP0 2012 R/TP
		C165	0CH6331K416	330PF 50V J NP0 2012 R/TP
		C166	0CH6331K416	330PF 50V J NP0 2012 R/TP
		C167	0CH3104K566	0.1UF 50V 10% X7R 2012 R/TP
		C168	OCK104CK56A	0.1UF 1608 50V 10% R/TP X7R
		C169	OCK104CK56A	0.1UF 1608 50V 10% R/TP X7R
		C17	DCH7106F621	10UF 16V M 3528MM TP(-)
		C170	0CH3104K566	0.1UF 50V 10% X7R 2012 R/TP
		C171	OCK104CK56A	0.1UF 1608 50V 10% R/TP X7R
		C172	OCK104CK56A	0.1UF 1608 50V 10% R/TP X7R
		C173	OCK103CK51A	0.01UF 1608 50V 10% R/TP B(Y)
		C174	OCK104CK56A	0.1UF 1608 50V 10% R/TP X7R
		C175	0CH3104K566	0.1UF 50V 10% X7R 2012 R/TP
		C176	0CH3104K566	0.1UF 50V 10% X7R 2012 R/TP
		C177	OCK104CK56A	0.1UF 1608 50V 10% R/TP X7R
		C178	OCK104CK56A	0.1UF 1608 50V 10% R/TP X7R
		C179	0CH3104K566	0.1UF 50V 10% X7R 2012 R/TP
		C18	0CH3104K566	0.1UF 50V 10% X7R 2012 R/TP
		C181	OCK104CK56A	0.1UF 1608 50V 10% R/TP X7R
		C182	OCK104CK56A	0.1UF 1608 50V 10% R/TP X7R
		C183	OCK104CK56A	0.1UF 1608 50V 10% R/TP X7R
		C184	0CH3104K566	0.1UF 50V 10% X7R 2012 R/TP
		C185	OCK104CK56A	0.1UF 1608 50V 10% R/TP X7R
		C186	OCK104CK56A	0.1UF 1608 50V 10% R/TP X7R
		C187	OCK104CK56A	0.1UF 1608 50V 10% R/TP X7R
		C188	0CH3104K566	0.1UF 50V 10% X7R 2012 R/TP
		C188	OCK104CK56A	0.1UF 1608 50V 10% R/TP X7R
		C189	0CZZTAT006D	RV2-16V101MSU-R ELNA 16V 100
		C19	OCK104CK56A	0.1UF 1608 50V 10% R/TP X7R
		C190	0CH3104K566	0.1UF 50V 10% X7R 2012 R/TP
		C191	0CH3104K566	0.1UF 50V 10% X7R 2012 R/TP
		C192	OCK105CD56A	1UF 1608 10V 10% R/TP X7R
		C193	OCK105CD56A	1UF 1608 10V 10% R/TP X7R
		C194	OCK104CK56A	0.1UF 1608 50V 10% R/TP X7R
		C195	0CH3104K566	0.1UF 50V 10% X7R 2012 R/TP
		C196	0CH6331K416	330PF 50V J NP0 2012 R/TP

DATE: 2005. 01. 21.				
*S	*AL	LOC. NO.	PART NO.	DESCRIPTION / SPECIFICATION
		C197	0CC180CK41A	18PF 1608 50V 5% R/TP NP0
		C198	0CK104CK56A	0.1UF 1608 50V 10% R/TP X7R
		C199	0CK104CK56A	0.1UF 1608 50V 10% R/TP X7R
		C2	0CK104CK56A	0.1UF 1608 50V 10% R/TP X7R
		C20	0CH3104K566	0.1UF 50V 10% X7R 2012 R/TP
		C200	0CC180CK41A	18PF 1608 50V 5% R/TP NP0
		C201	0CZZTAT009A	NC1C226M05005VR SAMWHA 16V 2
		C202	0CK104CK56A	0.1UF 1608 50V 10% R/TP X7R
		C203	0CK104CK56A	0.1UF 1608 50V 10% R/TP X7R
		C204	0CZZTAT006D	RV2-16V101MSU-R ELNA 16V 100
		C205	0CZZTAT006D	RV2-16V101MSU-R ELNA 16V 100
		C206	0CH3104K566	0.1UF 50V 10% X7R 2012 R/TP
		C207	0CH3104K566	0.1UF 50V 10% X7R 2012 R/TP
		C208	0CH3104K566	0.1UF 50V 10% X7R 2012 R/TP
		C209	0CK104CK56A	0.1UF 1608 50V 10% R/TP X7R
		C21	0CK104CK56A	0.1UF 1608 50V 10% R/TP X7R
		C210	0CZZTAT006B	RV2-16V220MU-R ELNA 16V 22UF
		C211	0CK104CK56A	0.1UF 1608 50V 10% R/TP X7R
		C212	0CZZTAT006B	RV2-16V220MU-R ELNA 16V 22UF
		C213	0CK103CK51A	0.01UF 1608 50V 10% R/TP B(Y)
		C214	0CK104CK56A	0.1UF 1608 50V 10% R/TP X7R
		C215	0CK103CK51A	0.01UF 1608 50V 10% R/TP B(Y)
		C216	0CK104CK56A	0.1UF 1608 50V 10% R/TP X7R
		C217	0CK104CK56A	0.1UF 1608 50V 10% R/TP X7R
		C218	0CK103CK51A	0.01UF 1608 50V 10% R/TP B(Y)
		C219	0CK104CK56A	0.1UF 1608 50V 10% R/TP X7R
		C22	0CH3104K566	0.1UF 50V 10% X7R 2012 R/TP
		C220	0CK103CK51A	0.01UF 1608 50V 10% R/TP B(Y)
		C221	0CK103CK51A	0.01UF 1608 50V 10% R/TP B(Y)
		C222	0CK104CK56A	0.1UF 1608 50V 10% R/TP X7R
		C223	0CK103CK51A	0.01UF 1608 50V 10% R/TP B(Y)
		C224	0CK104CK56A	0.1UF 1608 50V 10% R/TP X7R
		C225	0CK104CK56A	0.1UF 1608 50V 10% R/TP X7R
		C226	0CK103CK51A	0.01UF 1608 50V 10% R/TP B(Y)
		C227	0CK104CK56A	0.1UF 1608 50V 10% R/TP X7R
		C228	0CK103CK51A	0.01UF 1608 50V 10% R/TP B(Y)
		C229	0CZZTAT006B	RV2-16V220MU-R ELNA 16V 22UF
		C23	0CZZTAT006D	RV2-16V101MSU-R ELNA 16V 100
		C230	0CK104CK56A	0.1UF 1608 50V 10% R/TP X7R
		C231	0CK103CK51A	0.01UF 1608 50V 10% R/TP B(Y)
		C232	0CZZTAT006B	RV2-16V220MU-R ELNA 16V 22UF
		C234	0CK104CK56A	0.1UF 1608 50V 10% R/TP X7R
		C235	0CZZTAT006B	RV2-16V220MU-R ELNA 16V 22UF
		C236	0CH6331K416	330PF 50V J NP0 2012 R/TP
		C237	0CH6331K416	330PF 50V J NP0 2012 R/TP
		C238	0CH3104K566	0.1UF 50V 10% X7R 2012 R/TP
		C239	0CH3104K566	0.1UF 50V 10% X7R 2012 R/TP
		C24	0CH3104K566	0.1UF 50V 10% X7R 2012 R/TP
		C240	0CH6331K416	330PF 50V J NP0 2012 R/TP
		C241	0CH6331K416	330PF 50V J NP0 2012 R/TP
		C242	0CH3104K566	0.1UF 50V 10% X7R 2012 R/TP
		C243	0CK104CK56A	0.1UF 1608 50V 10% R/TP X7R
		C244	0CH3104K566	0.1UF 50V 10% X7R 2012 R/TP
		C245	0CK104CK56A	0.1UF 1608 50V 10% R/TP X7R
		C246	0CH3104K566	0.1UF 50V 10% X7R 2012 R/TP
		C247	0CK104CK56A	0.1UF 1608 50V 10% R/TP X7R
		C248	0CK104CK56A	0.1UF 1608 50V 10% R/TP X7R
		C249	0CK104CK56A	0.1UF 1608 50V 10% R/TP X7R
		C25	0CH3104K566	0.1UF 50V 10% X7R 2012 R/TP
		C250	0CK104CK56A	0.1UF 1608 50V 10% R/TP X7R
		C251	0CZZTAT006A	RV2-16V100MU-R ELNA 16V 10UF
		C252	0CH3104K566	0.1UF 50V 10% X7R 2012 R/TP

DATE: 2005. 01. 21.				
*S	*AL	LOC. NO.	PART NO.	DESCRIPTION / SPECIFICATION
		C253	0CC220CK41A	22PF 1608 50V 5% R/TP NP0
		C254	0CC220CK41A	22PF 1608 50V 5% R/TP NP0
		C255	0CK104CK56A	0.1UF 1608 50V 10% R/TP X7R
		C256	0CK104CK56A	0.1UF 1608 50V 10% R/TP X7R
		C257	0CH3104K566	0.1UF 50V 10% X7R 2012 R/TP
		C258	0CH3104K566	0.1UF 50V 10% X7R 2012 R/TP
		C259	0CH3104K566	0.1UF 50V 10% X7R 2012 R/TP
		C26	0CK104CK56A	0.1UF 1608 50V 10% R/TP X7R
		C260	0CH3104K566	0.1UF 50V 10% X7R 2012 R/TP
		C261	0CH3104K566	0.1UF 50V 10% X7R 2012 R/TP
		C262	0CH3104K566	0.1UF 50V 10% X7R 2012 R/TP
		C263	0CH3104K566	0.1UF 50V 10% X7R 2012 R/TP
		C264	0CH3104K566	0.1UF 50V 10% X7R 2012 R/TP
		C265	0CH3104K566	0.1UF 50V 10% X7R 2012 R/TP
		C266	0CH3104K566	0.1UF 50V 10% X7R 2012 R/TP
		C267	0CH3104K566	0.1UF 50V 10% X7R 2012 R/TP
		C268	0CH3104K566	0.1UF 50V 10% X7R 2012 R/TP
		C269	0CH3104K566	0.1UF 50V 10% X7R 2012 R/TP
		C27	0CH3104K566	0.1UF 50V 10% X7R 2012 R/TP
		C270	0CH6150K416	15PF 50V J NP0 2012 R/TP
		C271	0CH3104K566	0.1UF 50V 10% X7R 2012 R/TP
		C272	0CH3104K566	0.1UF 50V 10% X7R 2012 R/TP
		C273	0CH3104K566	0.1UF 50V 10% X7R 2012 R/TP
		C274	0CH3104K566	0.1UF 50V 10% X7R 2012 R/TP
		C275	0CK104CK56A	0.1UF 1608 50V 10% R/TP X7R
		C276	0CK104CK56A	0.1UF 1608 50V 10% R/TP X7R
		C277	0CH3104K566	0.1UF 50V 10% X7R 2012 R/TP
		C278	0CH3104K566	0.1UF 50V 10% X7R 2012 R/TP
		C279	0CK105CD56A	1UF 1608 10V 10% R/TP X7R
		C28	0CH3104K566	0.1UF 50V 10% X7R 2012 R/TP
		C280	0CC3R3CK01A	3.3PF 1608 50V 0.25 PF R/TP
		C281	0CK104CK56A	0.1UF 1608 50V 10% R/TP X7R
		C282	0CH3104K566	0.1UF 50V 10% X7R 2012 R/TP
		C283	0CH3104K566	0.1UF 50V 10% X7R 2012 R/TP
		C284	0CK104CK56A	0.1UF 1608 50V 10% R/TP X7R
		C285	0CC3R3CK01A	3.3PF 1608 50V 0.25 PF R/TP
		C286	0CK104CK56A	0.1UF 1608 50V 10% R/TP X7R
		C287	0CK104CK56A	0.1UF 1608 50V 10% R/TP X7R
		C288	0CH3104K566	0.1UF 50V 10% X7R 2012 R/TP
		C289	0CH3104K566	0.1UF 50V 10% X7R 2012 R/TP
		C29	0CK104CK56A	0.1UF 1608 50V 10% R/TP X7R
		C290	0CC821CK41A	820PF 1608 50V 5% R/TP NP0
		C291	0CC821CK41A	820PF 1608 50V 5% R/TP NP0
		C292	0CZZTAT006B	RV2-16V220MU-R ELNA 16V 22UF
		C293	0CZZTAT006B	RV2-16V220MU-R ELNA 16V 22UF
		C294	0CZZTAT006B	RV2-16V220MU-R ELNA 16V 22UF
		C295	0CH3104K566	0.1UF 50V 10% X7R 2012 R/TP
		C296	0CH3104K566	0.1UF 50V 10% X7R 2012 R/TP
		C297	0CH3104K566	0.1UF 50V 10% X7R 2012 R/TP
		C298	0CC151CK41A	150PF 1608 50V 5% NP0 R/TP
		C299	0CK683CK56A	0.068UF 1608 50V 10% X7R R/T
		C30	0CK104CK56A	0.1UF 1608 50V 10% R/TP X7R
		C300	0CK682CK51A	6800PF 1608 50V 10% R/TP B(Y)
		C301	0CK104CK56A	0.1UF 1608 50V 10% R/TP X7R
		C302	0CH3104K566	0.1UF 50V 10% X7R 2012 R/TP
		C303	0CZZTAT006D	RV2-16V101MSU-R ELNA 16V 100
		C304	0CK104CK56A	0.1UF 1608 50V 10% R/TP X7R
		C305	0CC471CK41A	470PF 1608 50V 5% R/TP NP0
		C306	0CH3104K566	0.1UF 50V 10% X7R 2012 R/TP
		C307	0CZZTAT006A	RV2-16V100MU-R ELNA 16V 10UF
		C308	0CZZTAT006A	RV2-16V100MU-R ELNA 16V 10UF
		C309	0CK104CK56A	0.1UF 1608 50V 10% R/TP X7R

DATE: 2005. 01. 21.				
*S	*AL	LOC. NO.	PART NO.	DESCRIPTION / SPECIFICATION
		C31	0CZZTAT009A	NC1C226M05005VR SAMWHA 16V 2
		C310	0CK104CK56A	0.1UF 1608 50V 10% R/TP X7R
		C311	0CK104CK56A	0.1UF 1608 50V 10% R/TP X7R
		C312	0CZZTAT009A	NC1C226M05005VR SAMWHA 16V 2
		C313	0CZZTAT009A	NC1C226M05005VR SAMWHA 16V 2
		C314	0CZZTAT009A	NC1C226M05005VR SAMWHA 16V 2
		C315	0CH3104K566	0.1UF 50V 10% X7R 2012 R/TP
		C316	0CZZTAT006A	RV2-16V100MU-R ELNA 16V 10UF
		C317	0CZZTAT006A	RV2-16V100MU-R ELNA 16V 10UF
		C318	0CH3104K566	0.1UF 50V 10% X7R 2012 R/TP
		C319	0CZZTAT007L	RE3-16V221MF3#-T36 ELNA 16V
		C32	0CZZTAT006B	RV2-16V220MU-R ELNA 16V 22UF
		C320	0CK104CK56A	0.1UF 1608 50V 10% R/TP X7R
		C321	0CK104CK56A	0.1UF 1608 50V 10% R/TP X7R
		C322	0CK104CK56A	0.1UF 1608 50V 10% R/TP X7R
		C323	0CK104CK56A	0.1UF 1608 50V 10% R/TP X7R
		C324	0CK104CK56A	0.1UF 1608 50V 10% R/TP X7R
		C325	0CK473CK56A	47000PF 1608 50V 10% R/TP X7
		C326	0CK473CK56A	47000PF 1608 50V 10% R/TP X7
		C327	0CZZTAT006A	RV2-16V100MU-R ELNA 16V 10UF
		C328	0CZZTAT006D	RV2-16V101MSU-R ELNA 16V 100
		C329	0CH6470K416	47PF 50V 5% NP0 2012 R/TP
		C33	0CH6331K416	330PF 50V J NP0 2012 R/TP
		C330	0CK104CK56A	0.1UF 1608 50V 10% R/TP X7R
		C331	0CZZTAT006B	RV2-16V220MU-R ELNA 16V 22UF
		C332	0CZZTAT006B	RV2-16V220MU-R ELNA 16V 22UF
		C333	0CZZTAT006B	RV2-16V220MU-R ELNA 16V 22UF
		C334	0CZZTAT006B	RV2-16V220MU-R ELNA 16V 22UF
		C335	0CZZTAT006B	RV2-16V220MU-R ELNA 16V 22UF
		C336	0CZZTAT006B	RV2-16V220MU-R ELNA 16V 22UF
		C337	0CZZTAT006D	RV2-16V101MSU-R ELNA 16V 100
		C338	0CZZTAT005D	RJ4-16V471MX ELNA 16V 470UF
		C339	0CZZTAT005D	RJ4-16V471MX ELNA 16V 470UF
		C34	0CH6331K416	330PF 50V J NP0 2012 R/TP
		C340	0CK105CD56A	1UF 1608 10V 10% R/TP X7R
		C341	0CZZTAT009A	NC1C226M05005VR SAMWHA 16V 2
		C342	0CZZTAT009A	NC1C226M05005VR SAMWHA 16V 2
		C343	0CZZTAT009A	NC1C226M05005VR SAMWHA 16V 2
		C344	0CZZTAT007M	RE3-16V471MG3#-T8 ELNA 16V 4
		C345	0CK105CD56A	1UF 1608 10V 10% R/TP X7R
		C346	0CC101CK41A	100PF 1608 50V 5% R/TP NP0
		C347	0CC101CK41A	100PF 1608 50V 5% R/TP NP0
		C348	0CH3104K566	0.1UF 50V 10% X7R 2012 R/TP
		C349	0CZZTAT006D	RV2-16V101MSU-R ELNA 16V 100
		C35	0CZZTAT006D	RV2-16V101MSU-R ELNA 16V 100
		C350	0CZZTAT006D	RV2-16V101MSU-R ELNA 16V 100
		C351	0CK104CK56A	0.1UF 1608 50V 10% R/TP X7R
		C352	0CK103CK51A	0.01UF 1608 50V 10% R/TP B(Y
		C353	0CK473CK56A	47000PF 1608 50V 10% R/TP X7
		C354	0CC102CK41A	1000PF 1608 50V 5% R/TP NP0
		C355	0CH3104K566	0.1UF 50V 10% X7R 2012 R/TP
		C359	0CH3104K566	0.1UF 50V 10% X7R 2012 R/TP
		C36	0CZZTAT006B	RV2-16V220MU-R ELNA 16V 22UF
		C360	0CH6470K416	47PF 50V 5% NP0 2012 R/TP
		C361	0CH6150K416	15PF 50V J NP0 2012 R/TP
		C362	0CH6150K416	15PF 50V J NP0 2012 R/TP
		C363	0CH3104K566	0.1UF 50V 10% X7R 2012 R/TP
		C364	0CZZTAT006A	RV2-16V100MU-R ELNA 16V 10UF
		C365	0CK104CK56A	0.1UF 1608 50V 10% R/TP X7R
		C367	0CH6180K416	18PF 50V 5% NP0 2012 R/TP
		C368	0CH6180K416	18PF 50V 5% NP0 2012 R/TP
		C369	0CK105CD56A	1UF 1608 10V 10% R/TP X7R

DATE: 2005. 01. 21.				
*S	*AL	LOC. NO.	PART NO.	DESCRIPTION / SPECIFICATION
		C37	0CC561CK41A	560PF 1608 50V 5% NP0 R/TP
		C371	0CK104CK56A	0.1UF 1608 50V 10% R/TP X7R
		C372	0CK104CK56A	0.1UF 1608 50V 10% R/TP X7R
		C373	0CK104CK56A	0.1UF 1608 50V 10% R/TP X7R
		C374	0CK104CK56A	0.1UF 1608 50V 10% R/TP X7R
		C375	0CK104CK56A	0.1UF 1608 50V 10% R/TP X7R
		C376	0CZZTAT006D	RV2-16V101MSU-R ELNA 16V 100
		C377	0CH3105H946	"1UF 25V 80%,-20% F(Y5V) 2012"
		C378	0CH3105H946	"1UF 25V 80%,-20% F(Y5V) 2012"
		C379	0CH3105H946	"1UF 25V 80%,-20% F(Y5V) 2012"
		C38	0CC100CK41A	10PF 1608 50V 5% R/TP NP0
		C380	0CZZTAT006D	RV2-16V101MSU-R ELNA 16V 100
		C381	0CZZTAT005D	RJ4-16V471MX ELNA 16V 470UF
		C382	0CH3104K566	0.1UF 50V 10% X7R 2012 R/TP
		C383	0CZZTAT005D	RJ4-16V471MX ELNA 16V 470UF
		C384	0CZZTAT005D	RJ4-16V471MX ELNA 16V 470UF
		C385	0CK105CD56A	1UF 1608 10V 10% R/TP X7R
		C386	0CK105CD56A	1UF 1608 10V 10% R/TP X7R
		C387	0CK105CD56A	1UF 1608 10V 10% R/TP X7R
		C388	0CC220CK41A	22PF 1608 50V 5% R/TP NP0
		C389	0CC220CK41A	22PF 1608 50V 5% R/TP NP0
		C39	0CK104CK56A	0.1UF 1608 50V 10% R/TP X7R
		C390	0CH3104K566	0.1UF 50V 10% X7R 2012 R/TP
		C391	0CH3104K566	0.1UF 50V 10% X7R 2012 R/TP
		C392	0CK104CK56A	0.1UF 1608 50V 10% R/TP X7R
		C394	0CK473CK56A	47000PF 1608 50V 10% R/TP X7
		C395	0CK473CK56A	47000PF 1608 50V 10% R/TP X7
		C396	0CK473CK56A	47000PF 1608 50V 10% R/TP X7
		C397	0CK104CK56A	0.1UF 1608 50V 10% R/TP X7R
		C398	0CK104CK56A	0.1UF 1608 50V 10% R/TP X7R
		C399	0CK104CK56A	0.1UF 1608 50V 10% R/TP X7R
		C4	0CK104CK56A	0.1UF 1608 50V 10% R/TP X7R
		C40	0CK104CK56A	0.1UF 1608 50V 10% R/TP X7R
		C400	0CH3104K566	0.1UF 50V 10% X7R 2012 R/TP
		C403	0CZZTAT006D	RV2-16V101MSU-R ELNA 16V 100
		C407	0CH3104K566	0.1UF 50V 10% X7R 2012 R/TP
		C409	0CK104CK56A	0.1UF 1608 50V 10% R/TP X7R
		C41	0CC100CK41A	10PF 1608 50V 5% R/TP NP0
		C411	0CH3104K566	0.1UF 50V 10% X7R 2012 R/TP
		C412	0CH3104K566	0.1UF 50V 10% X7R 2012 R/TP
		C413	0CZZTAT006A	RV2-16V100MU-R ELNA 16V 10UF
		C414	0CZZTAT006B	RV2-16V220MU-R ELNA 16V 22UF
		C418	0CZZTAT006B	RV2-16V220MU-R ELNA 16V 22UF
		C419	0CZZTAT006B	RV2-16V220MU-R ELNA 16V 22UF
		C42	0CZZTAT007L	RE3-16V221MF3#-T36 ELNA 16V
		C420	0CZZTAT006B	RV2-16V220MU-R ELNA 16V 22UF
		C421	0CZZTAT006B	RV2-16V220MU-R ELNA 16V 22UF
		C422	0CH3103K516	10000PF 50V 10% B(Y5P) 2012
		C423	0CH3104K566	0.1UF 50V 10% X7R 2012 R/TP
		C424	0CK103CK51A	0.01UF 1608 50V 10% R/TP B(Y
		C425	0CC102CK41A	1000PF 1608 50V 5% R/TP NP0
		C426	0CZZTAT005D	RJ4-16V471MX ELNA 16V 470UF
		C427	0CH3103K516	10000PF 50V 10% B(Y5P) 2012
		C428	0CK103CK51A	0.01UF 1608 50V 10% R/TP B(Y
		C429	0CK103CK51A	0.01UF 1608 50V 10% R/TP B(Y
		C43	0CH3104K566	0.1UF 50V 10% X7R 2012 R/TP
		C430	0CK103CK51A	0.01UF 1608 50V 10% R/TP B(Y
		C431	0CK104CK56A	0.1UF 1608 50V 10% R/TP X7R
		C433	0CC180CK41A	18PF 1608 50V 5% R/TP NP0
		C434	0CC180CK41A	18PF 1608 50V 5% R/TP NP0
		C435	0CK104CK56A	0.1UF 1608 50V 10% R/TP X7R
		C439	0CK104CK56A	0.1UF 1608 50V 10% R/TP X7R

DATE: 2005. 01. 21.				
*S	*AL	LOC. NO.	PART NO.	DESCRIPTION / SPECIFICATION
		C44	0CH3104K566	0.1UF 50V 10% X7R 2012 R/TP
		C440	0CK103CK51A	0.01UF 1608 50V 10% R/TP B(Y
		C443	0CH6102K406	1000PF 50V J SL 2012 R/TP
		C444	0CH3104K566	0.1UF 50V 10% X7R 2012 R/TP
		C445	0CZZTAT009A	NC1C226M05005VR SAMWHA 16V 2
		C446	0CZZTAT009A	NC1C226M05005VR SAMWHA 16V 2
		C447	0CH3104K566	0.1UF 50V 10% X7R 2012 R/TP
		C448	0CZZTAT006D	RV2-16V101MSU-R ELNA 16V 100
		C45	0CH3104K566	0.1UF 50V 10% X7R 2012 R/TP
		C450	0CK104CK56A	0.1UF 1608 50V 10% R/TP X7R
		C451	0CK104CK56A	0.1UF 1608 50V 10% R/TP X7R
		C453	0CK104CK56A	0.1UF 1608 50V 10% R/TP X7R
		C455	0CZZTAT006B	RV2-16V220MU-R ELNA 16V 22UF
		C456	0CZZTAT006B	RV2-16V220MU-R ELNA 16V 22UF
		C458	0CZZTAT006A	RV2-16V100MU-R ELNA 16V 10UF
		C459	0CZZTAT005D	RJ4-16V471MX ELNA 16V 470UF
		C46	0CZZTAT007M	RE3-16V471MG3#-T8 ELNA 16V 4
		C460	0CC100CK41A	10PF 1608 50V 5% R/TP NP0
		C461	0CC100CK41A	10PF 1608 50V 5% R/TP NP0
		C462	0CH3104K566	0.1UF 50V 10% X7R 2012 R/TP
		C463	0CC220CK41A	22PF 1608 50V 5% R/TP NP0
		C464	0CK105CD56A	1UF 1608 10V 10% R/TP X7R
		C465	0CK105CD56A	1UF 1608 10V 10% R/TP X7R
		C466	0CK104CK56A	0.1UF 1608 50V 10% R/TP X7R
		C467	0CK105CD56A	1UF 1608 10V 10% R/TP X7R
		C468	0CK105CD56A	1UF 1608 10V 10% R/TP X7R
		C469	0CK105CD56A	1UF 1608 10V 10% R/TP X7R
		C47	0CZZTAT005D	RJ4-16V471MX ELNA 16V 470UF
		C471	0CH3104K566	0.1UF 50V 10% X7R 2012 R/TP
		C472	0CC220CK41A	22PF 1608 50V 5% R/TP NP0
		C473	0CC220CK41A	22PF 1608 50V 5% R/TP NP0
		C475	0CK103CK51A	0.01UF 1608 50V 10% R/TP B(Y
		C476	0CH3104K566	0.1UF 50V 10% X7R 2012 R/TP
		C477	0CK105CD56A	1UF 1608 10V 10% R/TP X7R
		C479	0CK105CD56A	1UF 1608 10V 10% R/TP X7R
		C48	0CZZTAT009A	NC1C226M05005VR SAMWHA 16V 2
		C481	0CK104CK56A	0.1UF 1608 50V 10% R/TP X7R
		C482	0CH3104K566	0.1UF 50V 10% X7R 2012 R/TP
		C483	0CZZTAT006D	RV2-16V101MSU-R ELNA 16V 100
		C484	0CK104CK56A	0.1UF 1608 50V 10% R/TP X7R
		C486	0CK105CD56A	1UF 1608 10V 10% R/TP X7R
		C487	0CZZTAT005D	RJ4-16V471MX ELNA 16V 470UF
		C488	0CH3104K566	0.1UF 50V 10% X7R 2012 R/TP
		C489	0CZZTAT005D	RJ4-16V471MX ELNA 16V 470UF
		C49	0CH3103K516	10000PF 50V 10% B(Y5P) 2012
		C490	0CZZTAT005D	RJ4-16V471MX ELNA 16V 470UF
		C491	0CH3105H946	"1UF 25V 80%,-20% F(Y5V) 2012"
		C492	0CH3104K566	0.1UF 50V 10% X7R 2012 R/TP
		C493	0CH3104K566	0.1UF 50V 10% X7R 2012 R/TP
		C494	0CK104CK56A	0.1UF 1608 50V 10% R/TP X7R
		C495	0CZZTAT006B	RV2-16V220MU-R ELNA 16V 22UF
		C496	0CH3105H946	"1UF 25V 80%,-20% F(Y5V) 2012"
		C497	0CK104CK56A	0.1UF 1608 50V 10% R/TP X7R
		C499	0CH3104K566	0.1UF 50V 10% X7R 2012 R/TP
		C5	0CC330CK41A	33PF 1608 50V 5% R/TP NP0
		C50	0CK104CK56A	0.1UF 1608 50V 10% R/TP X7R
		C500	0CH3105H946	"1UF 25V 80%,-20% F(Y5V) 2012"
		C501	0CH3105H946	"1UF 25V 80%,-20% F(Y5V) 2012"
		C502	0CH3105H946	"1UF 25V 80%,-20% F(Y5V) 2012"
		C503	0CK105CD56A	1UF 1608 10V 10% R/TP X7R
		C504	0CK105CD56A	1UF 1608 10V 10% R/TP X7R
		C505	0CK105CD56A	1UF 1608 10V 10% R/TP X7R

DATE: 2005. 01. 21.				
*S	*AL	LOC. NO.	PART NO.	DESCRIPTION / SPECIFICATION
		C509	0CZZTAT007L	RE3-16V221MF3#-T36 ELNA 16V
		C51	0CK104CK56A	0.1UF 1608 50V 10% R/TP X7R
		C510	0CZZTAT007L	RE3-16V221MF3#-T36 ELNA 16V
		C511	0CH3105H946	"1UF 25V 80%,-20% F(Y5V) 2012"
		C512	0CK105CD56A	1UF 1608 10V 10% R/TP X7R
		C513	0CH3105H946	"1UF 25V 80%,-20% F(Y5V) 2012"
		C514	0CH3105H946	"1UF 25V 80%,-20% F(Y5V) 2012"
		C515	0CH3105H946	"1UF 25V 80%,-20% F(Y5V) 2012"
		C516	0CH3105H946	"1UF 25V 80%,-20% F(Y5V) 2012"
		C519	0CK105CD56A	1UF 1608 10V 10% R/TP X7R
		C52	0CH3103K516	10000PF 50V 10% B(Y5P) 2012
		C528	0CH3104K566	0.1UF 50V 10% X7R 2012 R/TP
		C53	0CZZTAT006B	RV2-16V220MU-R ELNA 16V 22UF
		C531	0CC220CK41A	22PF 1608 50V 5% R/TP NP0
		C532	0CC100CK41A	10PF 1608 50V 5% R/TP NP0
		C533	0CK103CK51A	0.01UF 1608 50V 10% R/TP B(Y
		C534	0CZZTAT006D	RV2-16V101MSU-R ELNA 16V 100
		C536	0CK105CD56A	1UF 1608 10V 10% R/TP X7R
		C537	0CK105CD56A	1UF 1608 10V 10% R/TP X7R
		C538	0CK105CD56A	1UF 1608 10V 10% R/TP X7R
		C539	0CK105CD56A	1UF 1608 10V 10% R/TP X7R
		C54	0CZZTAT009A	NC1C226M05005VR SAMWHA 16V 2
		C540	0CH3104K566	0.1UF 50V 10% X7R 2012 R/TP
		C546	0CH6471K416	470F 50V J NP0 2012 R/TP
		C547	0CK104CK56A	0.1UF 1608 50V 10% R/TP X7R
		C548	0CK104CK56A	0.1UF 1608 50V 10% R/TP X7R
		C549	0CH3104K566	0.1UF 50V 10% X7R 2012 R/TP
		C55	0CZZTAT006A	RV2-16V100MU-R ELNA 16V 10UF
		C551	0CZZTAT006A	RV2-16V100MU-R ELNA 16V 10UF
		C552	0CZZTAT006A	RV2-16V100MU-R ELNA 16V 10UF
		C553	0CK104CK56A	0.1UF 1608 50V 10% R/TP X7R
		C554	0CK104CK56A	0.1UF 1608 50V 10% R/TP X7R
		C555	0CK104CK56A	0.1UF 1608 50V 10% R/TP X7R
		C556	0CH3104K566	0.1UF 50V 10% X7R 2012 R/TP
		C557	0CK473CK56A	47000PF 1608 50V 10% R/TP X7
		C558	0CK473CK56A	47000PF 1608 50V 10% R/TP X7
		C559	0CK473CK56A	47000PF 1608 50V 10% R/TP X7
		C56	0CH3104K566	0.1UF 50V 10% X7R 2012 R/TP
		C560	0CC102CK41A	1000PF 1608 50V 5% R/TP NP0
		C561	0CH3104K566	0.1UF 50V 10% X7R 2012 R/TP
		C562	0CH3104K566	0.1UF 50V 10% X7R 2012 R/TP
		C563	0CK104CK56A	0.1UF 1608 50V 10% R/TP X7R
		C565	0CK473CK56A	47000PF 1608 50V 10% R/TP X7
		C566	0CK473CK56A	47000PF 1608 50V 10% R/TP X7
		C567	0CK473CK56A	47000PF 1608 50V 10% R/TP X7
		C568	0CK104CK56A	0.1UF 1608 50V 10% R/TP X7R
		C569	0CK104CK56A	0.1UF 1608 50V 10% R/TP X7R
		C57	0CH3104K566	0.1UF 50V 10% X7R 2012 R/TP
		C570	0CK104CK56A	0.1UF 1608 50V 10% R/TP X7R
		C571	0CK104CK56A	0.1UF 1608 50V 10% R/TP X7R
		C572	0CH3104K566	0.1UF 50V 10% X7R 2012 R/TP
		C573	0CK104CK56A	0.1UF 1608 50V 10% R/TP X7R
		C574	0CH3104K566	0.1UF 50V 10% X7R 2012 R/TP
		C575	0CH3104K566	0.1UF 50V 10% X7R 2012 R/TP
		C576	0CZZTAT006A	RV2-16V100MU-R ELNA 16V 10UF
		C577	0CZZTAT007L	RE3-16V221MF3#-T36 ELNA 16V
		C578	0CZZTAT007M	RE3-16V471MG3#-T8 ELNA 16V 4
		C579	0CH3104K566	0.1UF 50V 10% X7R 2012 R/TP
		C58	0CZZTAT006A	RV2-16V100MU-R ELNA 16V 10UF
		C581	0CK104CK56A	0.1UF 1608 50V 10% R/TP X7R
		C582	0CK105CD56A	1UF 1608 10V 10% R/TP X7R
		C585	0CK104CK56A	0.1UF 1608 50V 10% R/TP X7R

DATE: 2005. 01. 21.				
*S	*AL	LOC. NO.	PART NO.	DESCRIPTION / SPECIFICATION
		C586	0CZZTAT008A	RVS-35V4R7MU-R ELNA 35V 4.7U
		C588	0CH3104K566	0.1UF 50V 10% X7R 2012 R/TP
		C589	0CH3104K566	0.1UF 50V 10% X7R 2012 R/TP
		C59	0CZZTAT006B	RV2-16V220MU-R ELNA 16V 22UF
		C590	0CH3104K566	0.1UF 50V 10% X7R 2012 R/TP
		C591	0CH3104K566	0.1UF 50V 10% X7R 2012 R/TP
		C593	0CC180CK41A	18PF 1608 50V 5% R/TP NP0
		C594	0CC180CK41A	18PF 1608 50V 5% R/TP NP0
		C595	0CC180CK41A	18PF 1608 50V 5% R/TP NP0
		C596	0CC180CK41A	18PF 1608 50V 5% R/TP NP0
		C597	0CC180CK41A	18PF 1608 50V 5% R/TP NP0
		C598	0CC180CK41A	18PF 1608 50V 5% R/TP NP0
		C6	0CC330CK41A	33PF 1608 50V 5% R/TP NP0
		C60	0CH3103K516	10000PF 50V 10% B(Y5P) 2012
		C601	0CZZTAT007L	RE3-16V221MF3#-T36 ELNA 16V
		C602	0CK105CD56A	1UF 1608 10V 10% R/TP X7R
		C603	0CK104CK56A	0.1UF 1608 50V 10% R/TP X7R
		C604	0CK104CK56A	0.1UF 1608 50V 10% R/TP X7R
		C61	0CH3104K566	0.1UF 50V 10% X7R 2012 R/TP
		C62	0CZZTAT005D	RJ4-16V471MX ELNA 16V 470UF
		C63	0CZZTAT005D	RJ4-16V471MX ELNA 16V 470UF
		C64	0CZZTAT005D	RJ4-16V471MX ELNA 16V 470UF
		C65	0CZZTAT006D	RV2-16V101MSU-R ELNA 16V 100
		C658	0CK104CK56A	0.1UF 1608 50V 10% R/TP X7R
		C659	0CK104CK56A	0.1UF 1608 50V 10% R/TP X7R
		C66	0CZZTAT006D	RV2-16V101MSU-R ELNA 16V 100
		C660	0CK104CK56A	0.1UF 1608 50V 10% R/TP X7R
		C661	0CK105CD56A	1UF 1608 10V 10% R/TP X7R
		C662	0CK105CD56A	1UF 1608 10V 10% R/TP X7R
		C67	0CZZTAT006D	RV2-16V101MSU-R ELNA 16V 100
		C670	0CK104CK56A	0.1UF 1608 50V 10% R/TP X7R
		C671	0CK104CK56A	0.1UF 1608 50V 10% R/TP X7R
		C68	0CK103CK51A	0.01UF 1608 50V 10% R/TP B(Y
		C69	0CH3103K516	10000PF 50V 10% B(Y5P) 2012
		C7	0CH3104K566	0.1UF 50V 10% X7R 2012 R/TP
		C70	0CH3103K516	10000PF 50V 10% B(Y5P) 2012
		C71	0CH3103K516	10000PF 50V 10% B(Y5P) 2012
		C72	0CK105CD56A	1UF 1608 10V 10% R/TP X7R
		C73	0CH6102K406	1000PF 50V J SL 2012 R/TP
		C74	0CC102CK41A	1000PF 1608 50V 5% R/TP NP0
		C75	0CH6102K406	1000PF 50V J SL 2012 R/TP
		C76	0CH6102K406	1000PF 50V J SL 2012 R/TP
		C77	0CH6102K406	1000PF 50V J SL 2012 R/TP
		C78	0CH3104K566	0.1UF 50V 10% X7R 2012 R/TP
		C79	0CH3104K566	0.1UF 50V 10% X7R 2012 R/TP
		C8	0CK104CK56A	0.1UF 1608 50V 10% R/TP X7R
		C80	0CH3104K566	0.1UF 50V 10% X7R 2012 R/TP
		C806	0CH3103K516	10000PF 50V 10% B(Y5P) 2012
		C81	0CK104CK56A	0.1UF 1608 50V 10% R/TP X7R
		C810	0CZZTAT006D	RV2-16V101MSU-R ELNA 16V 100
		C82	0CK104CK56A	0.1UF 1608 50V 10% R/TP X7R
		C83	0CH3104K566	0.1UF 50V 10% X7R 2012 R/TP
		C84	0CH3104K566	0.1UF 50V 10% X7R 2012 R/TP
		C85	0CK104CK56A	0.1UF 1608 50V 10% R/TP X7R
		C86	0CK104CK56A	0.1UF 1608 50V 10% R/TP X7R
		C87	0CK104CK56A	0.1UF 1608 50V 10% R/TP X7R
		C88	0CH3104K566	0.1UF 50V 10% X7R 2012 R/TP
		C89	0CH3104K566	0.1UF 50V 10% X7R 2012 R/TP
		C9	0CZZTAT007L	RE3-16V221MF3#-T36 ELNA 16V
		C90	0CH3104K566	0.1UF 50V 10% X7R 2012 R/TP
		C903	0CC3R3CK01A	3.3PF 1608 50V 0.25 PF R/TP
		C904	0CC3R3CK01A	3.3PF 1608 50V 0.25 PF R/TP

DATE: 2005. 01. 21.				
*S	*AL	LOC. NO.	PART NO.	DESCRIPTION / SPECIFICATION
		C905	0CH3104K566	0.1UF 50V 10% X7R 2012 R/TP
		C906	0CK104CK56A	0.1UF 1608 50V 10% R/TP X7R
		C907	0CH3104K566	0.1UF 50V 10% X7R 2012 R/TP
		C908	0CH3104K566	0.1UF 50V 10% X7R 2012 R/TP
		C91	0CH3104K566	0.1UF 50V 10% X7R 2012 R/TP
		C92	0CK104CK56A	0.1UF 1608 50V 10% R/TP X7R
		C93	0CH3104K566	0.1UF 50V 10% X7R 2012 R/TP
		C94	0CH3104K566	0.1UF 50V 10% X7R 2012 R/TP
		C95	0CK104CK56A	0.1UF 1608 50V 10% R/TP X7R
		C96	0CK104CK56A	0.1UF 1608 50V 10% R/TP X7R
		C97	0CK104CK56A	0.1UF 1608 50V 10% R/TP X7R
		C98	0CH3104K566	0.1UF 50V 10% X7R 2012 R/TP
		C99	0CK104CK56A	0.1UF 1608 50V 10% R/TP X7R
DIODEs				
		D1	0DSON00138A	"MMBD301LT1G,LF ON SEMI R/TP"
		D10	0DS226009AA	KDS226 TP KEC - 80V -- 4NSE
		D11	0DS226009AA	KDS226 TP KEC - 80V -- 4NSE
		D12	0DS226009AA	KDS226 TP KEC - 80V -- 4NSE
		D13	0DS226009AA	KDS226 TP KEC - 80V -- 4NSE
		D14	0DSON00138A	"MMBD301LT1G,LF ON SEMI R/TP"
		D15	0DS226009AA	KDS226 TP KEC - 80V -- 4NSE
		D16	0DS226009AA	KDS226 TP KEC - 80V -- 4NSE
		D17	0DS226009AA	KDS226 TP KEC - 80V -- 4NSE
		D18	0DS226009AA	KDS226 TP KEC - 80V -- 4NSE
		D19	0DS226009AA	KDS226 TP KEC - 80V -- 4NSE
		D20	0DS226009AA	KDS226 TP KEC - 80V -- 4NSE
		D21	0DS226009AA	KDS226 TP KEC - 80V -- 4NSE
		D23	0DD184009AA	KDS184 TP KEC - 85V --- 30
		D24	0DD184009AA	KDS184 TP KEC - 85V --- 30
		D25	0DD184009AA	KDS184 TP KEC - 85V --- 30
		D26	0DD184009AA	KDS184 TP KEC - 85V --- 30
		D27	0DD184009AA	KDS184 TP KEC - 85V --- 30
		D28	0DSON00138A	"MMBD301LT1G,LF ON SEMI R/TP"
		D29	0DSON00138A	"MMBD301LT1G,LF ON SEMI R/TP"
		D3	0DS226009AA	KDS226 TP KEC - 80V -- 4NSE
		D4	0DS226009AA	KDS226 TP KEC - 80V -- 4NSE
		D42	0DSON00138A	"MMBD301LT1G,LF ON SEMI R/TP"
		D48	0DSON00138A	"MMBD301LT1G,LF ON SEMI R/TP"
		D49	0DSON00138A	"MMBD301LT1G,LF ON SEMI R/TP"
		D5	0DS226009AA	KDS226 TP KEC - 80V -- 4NSE
		D6	0DS226009AA	KDS226 TP KEC - 80V -- 4NSE
		D7	0DS226009AA	KDS226 TP KEC - 80V -- 4NSE
		D8	0DS226009AA	KDS226 TP KEC - 80V -- 4NSE
		ZD1	0DZ560009DA	UDZ S 5.6B TP ROHM-K SOD323
		ZD10	0DZ120009CF	UDZ 12B TP ROHM-K SOD323 200
		ZD11	0DZ120009CF	UDZ 12B TP ROHM-K SOD323 200
		ZD12	0DZ560009DA	UDZ S 5.6B TP ROHM-K SOD323
		ZD13	0DZ560009DA	UDZ S 5.6B TP ROHM-K SOD323
		ZD14	0DZ120009CF	UDZ 12B TP ROHM-K SOD323 200
		ZD15	0DZ560009DA	UDZ S 5.6B TP ROHM-K SOD323
		ZD16	0DZ560009DA	UDZ S 5.6B TP ROHM-K SOD323
		ZD17	0DZ120009CF	UDZ 12B TP ROHM-K SOD323 200
		ZD18	0DZ560009DA	UDZ S 5.6B TP ROHM-K SOD323
		ZD2	0DZ560009DA	UDZ S 5.6B TP ROHM-K SOD323
		ZD20	0DZ510009EE	UDZ S 5.1B TP ROHM-K SOD323
		ZD21	0DZ360009EB	UDZ 3.6B TP ROHM SOD323 200M
		ZD22	0DZ910009FE	UDZS 9.1B TP ROHM -- 9.1V -
		ZD23	0DZ910009FE	UDZS 9.1B TP ROHM -- 9.1V -
		ZD24	0DZ360009EB	UDZ 3.6B TP ROHM SOD323 200M
		ZD25	0DZ360009EB	UDZ 3.6B TP ROHM SOD323 200M

DATE: 2005. 01. 21.				
*S	*AL	LOC. NO.	PART NO.	DESCRIPTION / SPECIFICATION
		ZD3	0DZ560009DA	UDZ S 5.6B TP ROHM-K SOD323
		ZD4	0DZ510009EE	UDZ S 5.1B TP ROHM-K SOD323
		ZD5	0DZ510009EE	UDZ S 5.1B TP ROHM-K SOD323
		ZD6	0DZ910009FE	UDZS 9.1B TP ROHM - - 9.1V -
		ZD7	0DZ910009FE	UDZS 9.1B TP ROHM - - 9.1V -
		ZD8	0DZ910009FE	UDZS 9.1B TP ROHM - - 9.1V -
		ZD9	0DZ910009FE	UDZS 9.1B TP ROHM - - 9.1V -
ICs				
		IC1	0IMMRAL034C	"AT24C128N-10SU-2.7,LF ATMEL"
		IC10	0IPRPM7001B	"MDIN-150L,ROHS MIT 256PIN,QF"
		IC11	0IPMGFA003E	FAN1086-1.5A FAIRCHILD SOT25
		IC12	0IPRPM3002C	"MST9883C-LF-140 MSTAR 80P,LQ"
		IC13	0IRH033200A	BA033FP-E2 MOLD-3 TP REGULAT
		IC14	0IPRPA9001B	"ASI510-BOAB,BOAD AURORA 316P"
		IC15	0IPMGSG020A	"LD1117DT18TR,LF SGS-THOMSON"
		IC16	0ISTLTI047A	"SN74LV4052APWR,LF TEXAS INST"
		IC18	0IRH033200A	BA033FP-E2 MOLD-3 TP REGULAT
		IC19	0IMX232162A	MAX232ACSE 16NARROW-SO RS232
		IC2	0ISTLFA093A	"MM74HC373WMX FAIRCHILD 20P,S"
		IC20	0IRH033200A	BA033FP-E2 MOLD-3 TP REGULAT
		IC21	0IRH033200A	BA033FP-E2 MOLD-3 TP REGULAT
		IC22	0IRH033200A	BA033FP-E2 MOLD-3 TP REGULAT
		IC23	0IPMGFA003B	RC1117S-2.5 FAIRCHILD SOT-22
		IC24	0IRH033200A	BA033FP-E2 MOLD-3 TP REGULAT
		IC26	0IMMRHY033B	"HY57V643220DTP-6,LF HYNIX 86"
		IC27	0IMMRHY033B	"HY57V643220DTP-6,LF HYNIX 86"
		IC29	0IMMRHY033B	"HY57V643220DTP-6,LF HYNIX 86"
		IC3	0ISM555000A	SDA5550 MQFP100 BK MICOM TXT
		IC30	0ISTLFA058A	"74F14SCX FAIRCHILD 14P,SOIC"
		IC33	0IZZTSZ662A	ATMEL 48P TSOP BK 8M FLASH M
		IC34	0ISS524202C	S524A40X21(SC70) SAMSUNG ELE
		IC35	0ISS780500H	"KA78M05-R 3P,D-PAK TP 5V 0.5"
		IC36	0ISTLFA093A	"MM74HC373WMX FAIRCHILD 20P,S"
		IC37	0ISS780500H	"KA78M05-R 3P,D-PAK TP 5V 0.5"
		IC38	0ISTLTI047A	"SN74LV4052APWR,LF TEXAS INST"
		IC4	0IRH765700B	"BA7657F 24P,SOP TP INPUT SIG"
		IC40	0IPMGRH001D	"BA15BC0FP-E2 ROHM 3P,TO252 R"
		IC41	0ISO206900A	CXA2069Q QFP64 BK I2C BUS AV
		IC42	0IRH033200A	BA033FP-E2 MOLD-3 TP REGULAT
		IC43	0IPRPM7001B	"MDIN-150L,ROHS MIT 256PIN,QF"
		IC44	0ITH638300C	"THC63LVDM83R(F),LF THINE ELE"
		IC45	0IRH033200A	BA033FP-E2 MOLD-3 TP REGULAT
		IC46	0IPMGKE039A	"KIA78D09F KEC 3P,DPAK R/TP 9"
		IC49	0ISS524202C	S524A40X21(SC70) SAMSUNG ELE
		IC5	0ISTLFA094A	"FSTD3306MTC FAIRCHILD 8P,TSS"
		IC50	0ISTLTI047A	"SN74LV4052APWR,LF TEXAS INST"
		IC54	0IPRPM3002C	"MST9883C-LF-140 MSTAR 80P,LQ"
		IC55	0IMMRHY033B	"HY57V643220DTP-6,LF HYNIX 86"
		IC56	0IRH033200A	BA033FP-E2 MOLD-3 TP REGULAT
		IC57	0IPMGFA003E	FAN1086-1.5A FAIRCHILD SOT25
		IC58	0ISS416162D	K4S161622H-UC80 SAMSUNG ELEC
		IC59	0IPRPN011A	"UPD64012GJ-8EN-A,PB FREE NEC"
		IC6	0IKE702500B	KIA7025AF 3P SOT-89 TP RESE
		IC61	0ISTLTI047A	"SN74LV4052APWR,LF TEXAS INST"
		IC63	0ISTLTI047B	"SN74LV4051APWR,LF TEXAS INST"
		IC64	0ISTLFA093A	"MM74HC373WMX FAIRCHILD 20P,S"
		IC65	0ISTLFA093A	"MM74HC373WMX FAIRCHILD 20P,S"
		IC66	0IKE702700D	"KIA7027AF 3, SOT-89 TP RESET"
		IC67	0ISTLFA094A	"FSTD3306MTC FAIRCHILD 8P,TSS"
		IC68	0IMCRS5003B	"SIL169CTG100,LF SILICON IMAG"

DATE: 2005. 01. 21.				
*S	*AL	LOC. NO.	PART NO.	DESCRIPTION / SPECIFICATION
		IC69	0IRH765700B	"BA7657F 24P,SOP TP INPUT SIG"
		IC7	0IPRPSG023A	"M41T81M6(F),LF STM 8P,SOIC R"
		IC71	0ISS610082B	"K6X1008T2D-PF70,LF SAMSUNG E"
		IC72	0IDS170800A	DS1708S 8P SOIC ST MICROMONI
		IC73	0ISTL00025A	"MC74HC74ADR2G,LF ON SEMI 14P"
		IC74	0ISTLFA092B	74VHC157MX_NL FAIRCHILD 16PI
		IC75	0IDS170800A	DS1708S 8P SOIC ST MICROMONI
		IC76	0ISTLFA094A	"FSTD3306MTC FAIRCHILD 8P,TSS"
		IC8	0ISTLFA093A	"MM74HC373WMX FAIRCHILD 20P,S"
		IC82	0ISTL00026A	"MC14066BDR2G,LF ON SEMI 14P,"
		IC83	0ISTL00026A	"MC14066BDR2G,LF ON SEMI 14P,"
		IC84	0ISTL00026A	"MC14066BDR2G,LF ON SEMI 14P,"
		IC85	0ISTL00026A	"MC14066BDR2G,LF ON SEMI 14P,"
		IC9	0ICTMZI001A	Z8622912SSC ZILOG 18PIN-SOIC
		IC901	0ISTLFA094A	"FSTD3306MTC FAIRCHILD 8P,TSS"
		IC902	0IZZTSZ551C	SAMSUNG 42P PS420VC DDC/CI O
COIL & CORES				
		L1	6140TBZ016H	"- DR10*7,0.5MM 22UH,L2320A"
		L2	6140TBZ016H	"- DR10*7,0.5MM 22UH,L2320A"
		L4	6140TBZ016H	"- DR10*7,0.5MM 22UH,L2320A"
		L5	6140TBZ016H	"- DR10*7,0.5MM 22UH,L2320A"
		FB100	6210TCE001F	HB-1S2012-800JT CERATEC 2012
		FB14	6210TCE001F	HB-1S2012-800JT CERATEC 2012
		FB28	6210TCE001B	HH-1H3216-500JT CERATEC 3216
		FB97	6210TCE001F	HB-1S2012-800JT CERATEC 2012
		FB98	6210TCE001F	HB-1S2012-800JT CERATEC 2012
		FB99	6210TCE001F	HB-1S2012-800JT CERATEC 2012
		FB10	6210TCE001S	HU-1M2012-121 CERATECH 2012M
		FB101	6210TCE001G	HH-1M3216-501 CERATEC 3216MM
		FB11	6210TCE001S	HU-1M2012-121 CERATECH 2012M
		FB111	6210TCE001G	HH-1M3216-501 CERATEC 3216MM
		FB112	6210TCE001G	HH-1M3216-501 CERATEC 3216MM
		FB12	6210TCE001S	HU-1M2012-121 CERATECH 2012M
		FB125	6210TCE001S	HU-1M2012-121 CERATECH 2012M
		FB13	6210TCE001Z	HH-1M2012-600JT CERATEC R/TP
		FB15	6210TCE001S	HU-1M2012-121 CERATECH 2012M
		FB16	6210TCE001S	HU-1M2012-121 CERATECH 2012M
		FB17	6210TCE001S	HU-1M2012-121 CERATECH 2012M
		FB18	6210TCE001G	HH-1M3216-501 CERATEC 3216MM
		FB19	6210TCE001G	HH-1M3216-501 CERATEC 3216MM
		FB2	6210TCE001G	HH-1M3216-501 CERATEC 3216MM
		FB20	6210TCE001G	HH-1M3216-501 CERATEC 3216MM
		FB24	6210TCE001G	HH-1M3216-501 CERATEC 3216MM
		FB25	6210TCE001G	HH-1M3216-501 CERATEC 3216MM
		FB26	6210TCE001G	HH-1M3216-501 CERATEC 3216MM
		FB27	6210TCE001G	HH-1M3216-501 CERATEC 3216MM
		FB29	6210TCE001G	HH-1M3216-501 CERATEC 3216MM
		FB30	6210TCE001Z	HH-1M2012-600JT CERATEC R/TP
		FB31	6210TCE001Z	HH-1M2012-600JT CERATEC R/TP
		FB32	6210TCE001G	HH-1M3216-501 CERATEC 3216MM
		FB34	6210TCE001G	HH-1M3216-501 CERATEC 3216MM
		FB35	6210TCE001G	HH-1M3216-501 CERATEC 3216MM
		FB39	6210TCE001G	HH-1M3216-501 CERATEC 3216MM
		FB4	6210TCE001G	HH-1M3216-501 CERATEC 3216MM
		FB43	6210TCE001G	HH-1M3216-501 CERATEC 3216MM
		FB44	6210TCE001G	HH-1M3216-501 CERATEC 3216MM
		FB45	6210TCE001G	HH-1M3216-501 CERATEC 3216MM
		FB46	6210TCE001G	HH-1M3216-501 CERATEC 3216MM
		FB48	6210TCE001G	HH-1M3216-501 CERATEC 3216MM
		FB50	6210TCE001G	HH-1M3216-501 CERATEC 3216MM

DATE: 2005. 01. 21.				
*S	*AL	LOC. NO.	PART NO.	DESCRIPTION / SPECIFICATION
		FB52	6210TCE001G	HH-1M3216-501 CERATEC 3216MM
		FB53	6210TCE001G	HH-1M3216-501 CERATEC 3216MM
		FB54	6210TCE001G	HH-1M3216-501 CERATEC 3216MM
		FB55	6210TCE001G	HH-1M3216-501 CERATEC 3216MM
		FB59	6210TCE001G	HH-1M3216-501 CERATEC 3216MM
		FB60	6210TCE001G	HH-1M3216-501 CERATEC 3216MM
		FB65	6210TCE001G	HH-1M3216-501 CERATEC 3216MM
		FB66	6210TCE001Z	HH-1M2012-600JT CERATEC R/TP
		FB67	6210TCE001G	HH-1M3216-501 CERATEC 3216MM
		FB68	6210TCE001G	HH-1M3216-501 CERATEC 3216MM
		FB73	6210TCE001S	HU-1M2012-121 CERATECH 2012M
		FB74	6210TCE001S	HU-1M2012-121 CERATECH 2012M
		FB75	6210TCE001S	HU-1M2012-121 CERATECH 2012M
		FB76	6210TCE001G	HH-1M3216-501 CERATEC 3216MM
		FB77	6210TCE001S	HU-1M2012-121 CERATECH 2012M
		FB78	6210TCE001G	HH-1M3216-501 CERATEC 3216MM
		FB79	6210TCE001G	HH-1M3216-501 CERATEC 3216MM
		FB8	6210TCE001G	HH-1M3216-501 CERATEC 3216MM
		FB80	6210TCE001Z	HH-1M2012-600JT CERATEC R/TP
		FB81	6210TCE001Z	HH-1M2012-600JT CERATEC R/TP
		FB82	6210TCE001Z	HH-1M2012-600JT CERATEC R/TP
		FB83	6210TCE001Z	HH-1M2012-600JT CERATEC R/TP
		FB84	6210TCE001Z	HH-1M2012-600JT CERATEC R/TP
		FB85	6210TCE001Z	HH-1M2012-600JT CERATEC R/TP
		FB90	6210TCE001G	HH-1M3216-501 CERATEC 3216MM
		FB91	6210TCE001G	HH-1M3216-501 CERATEC 3216MM
		FB92	6210TCE001Z	HH-1M2012-600JT CERATEC R/TP
		L504	6200J00011A	H354LAI-K5202 TOKO R/TP BAND
		L505	6200J00011A	H354LAI-K5202 TOKO R/TP BAND
		L506	6200J00011A	H354LAI-K5202 TOKO R/TP BAND
		L508	6200J00011A	H354LAI-K5202 TOKO R/TP BAND
		L509	6200J00011A	H354LAI-K5202 TOKO R/TP BAND
TRANSISTOR				
		IC25	0TFFC80033B	FDS4435A-NL.LF FAIRCHILD R/T
		IC31	0TFTH80001A	SSM6N15FU.LF TOSHIBA R/TP SO
		IC32	0TFTH80001A	SSM6N15FU.LF TOSHIBA R/TP SO
		IC53	0TFIR80016B	"IRF7342TRPBF,LF INTERNATIONA"
		IC70	0TFIR80016B	"IRF7342TRPBF,LF INTERNATIONA"
		Q1	0TR144009AH	DTC144EK CHIP TP ROHM - -
		Q102	0TR390409AE	FAIRCHILD KST3904(LGEMTF) TP
		Q19	0TR390609FA	KST3906-MTF TP SAMSUNG SOT2
		Q20	0TR390609FA	KST3906-MTF TP SAMSUNG SOT2
		Q21	0TR390609FA	KST3906-MTF TP SAMSUNG SOT2
		Q23	0TR390409AE	FAIRCHILD KST3904(LGEMTF) TP
		Q24	0TR144009AH	DTC144EK CHIP TP ROHM - -
		Q25	0TR387500AA	CHIP 2SC3875S(ALY) BK KEC -
		Q26	0TR144009AI	DTA144EK CHIP TP ROHM - -
		Q27	0TR390409AE	FAIRCHILD KST3904(LGEMTF) TP
		Q28	0TR390409AE	FAIRCHILD KST3904(LGEMTF) TP
		Q29	0TR390409AE	FAIRCHILD KST3904(LGEMTF) TP
		Q3	0TR390409AE	FAIRCHILD KST3904(LGEMTF) TP
		Q30	0TR390409AE	FAIRCHILD KST3904(LGEMTF) TP
		Q31	0TR390409AE	FAIRCHILD KST3904(LGEMTF) TP
		Q33	0TR102009AJ	KRC102S NPN SOT-23 TP KEC
		Q34	0TR390409AE	FAIRCHILD KST3904(LGEMTF) TP
		Q35	0TR390409AE	FAIRCHILD KST3904(LGEMTF) TP
		Q36	0TR390409AE	FAIRCHILD KST3904(LGEMTF) TP
		Q37	0TR390409AE	FAIRCHILD KST3904(LGEMTF) TP
		Q38	0TR390409AE	FAIRCHILD KST3904(LGEMTF) TP

DATE: 2005. 01. 21.				
*S	*AL	LOC. NO.	PART NO.	DESCRIPTION / SPECIFICATION
		Q39	0TR390609FA	KST3906-MTF TP SAMSUNG SOT2
		Q40	0TR390609FA	KST3906-MTF TP SAMSUNG SOT2
		Q41	0TR390609FA	KST3906-MTF TP SAMSUNG SOT2
		Q42	0TR102009AJ	KRC102S NPN SOT-23 TP KEC
		Q43	0TR390609FA	KST3906-MTF TP SAMSUNG SOT2
		Q44	0TR390609FA	KST3906-MTF TP SAMSUNG SOT2
		Q45	0TR102009AJ	KRC102S NPN SOT-23 TP KEC
		Q46	0TR390409AE	FAIRCHILD KST3904(LGEMTF) TP
		Q47	0TR390409AE	FAIRCHILD KST3904(LGEMTF) TP
		Q49	0TR390609FA	KST3906-MTF TP SAMSUNG SOT2
		Q50	0TR390409AE	FAIRCHILD KST3904(LGEMTF) TP
		Q51	0TR390409AE	FAIRCHILD KST3904(LGEMTF) TP
		Q52	0TR390409AE	FAIRCHILD KST3904(LGEMTF) TP
		Q53	0TR390409AE	FAIRCHILD KST3904(LGEMTF) TP
		Q54	0TR390409AE	FAIRCHILD KST3904(LGEMTF) TP
		Q55	0TR390409AE	FAIRCHILD KST3904(LGEMTF) TP
		Q56	0TR390609FA	KST3906-MTF TP SAMSUNG SOT2
		Q57	0TR144009AH	DTC144EK CHIP TP ROHM - -
		Q58	0TR102009AM	KRA102S TP KEC PNP SOT-23
		Q59	0TR102009AM	KRA102S TP KEC PNP SOT-23
		Q60	0TR144009AH	DTC144EK CHIP TP ROHM - -
		Q61	0TR144009AH	DTC144EK CHIP TP ROHM - -
		Q62	0TR144009AH	DTC144EK CHIP TP ROHM - -
		Q9	0TR390409AE	FAIRCHILD KST3904(LGEMTF) TP
		Q901	0TR144009AH	DTC144EK CHIP TP ROHM - -
RESISTORS				
		R1	0RJ4701D677	4.7K OHM 1/10 W 5% 1608 R/TP
		R100	0RJ1000D677	100 OHM 1/10 W 5% 1608 R/TP
		R101	0RJ1002D677	10K OHM 1/10 W 5% 1608 R/TP
		R102	0RJ0000D677	0 OHM 1/10 W 5% 1608 R/TP
		R103	0RJ0222D677	22 OHM 1/10 W 5% 1608 R/TP
		R104	0RJ0222D677	22 OHM 1/10 W 5% 1608 R/TP
		R105	0RJ1001D677	1K OHM 1/10 W 5% 1608 R/TP
		R106	0RJ0222D677	22 OHM 1/10 W 5% 1608 R/TP
		R107	0RJ0222D677	22 OHM 1/10 W 5% 1608 R/TP
		R108	0RJ0222D677	22 OHM 1/10 W 5% 1608 R/TP
		R109	0RJ0332D677	33 OHM 1/10 W 5% 1608 R/TP
		R11	0RJ1000D677	100 OHM 1/10 W 5% 1608 R/TP
		R110	0RJ1001D677	1K OHM 1/10 W 5% 1608 R/TP
		R111	0RJ1000D677	100 OHM 1/10 W 5% 1608 R/TP
		R113	0RJ4701D677	4.7K OHM 1/10 W 5% 1608 R/TP
		R114	0RJ3300D677	330 OHM 1/10 W 5% 1608 R/TP
		R115	0RJ1000D677	100 OHM 1/10 W 5% 1608 R/TP
		R116	0RJ1000D677	100 OHM 1/10 W 5% 1608 R/TP
		R118	0RJ1000D677	100 OHM 1/10 W 5% 1608 R/TP
		R119	0RH0332D622	33 OHM 1 / 10 W 2012 5.00% D
		R12	0RJ1000D677	100 OHM 1/10 W 5% 1608 R/TP
		R120	0RJ4701D677	4.7K OHM 1/10 W 5% 1608 R/TP
		R121	0RJ4701D677	4.7K OHM 1/10 W 5% 1608 R/TP
		R122	0RJ4701D677	4.7K OHM 1/10 W 5% 1608 R/TP
		R124	0RJ3300D677	330 OHM 1/10 W 5% 1608 R/TP
		R125	0RJ0752D677	75 OHM 1/10 W 5% 1608 R/TP
		R126	0RJ0752D677	75 OHM 1/10 W 5% 1608 R/TP
		R127	0RJ0752D677	75 OHM 1/10 W 5% 1608 R/TP
		R128	0RJ5600D677	560 OHM 1/10 W 5% 1608 R/TP
		R129	0RJ5600D677	560 OHM 1/10 W 5% 1608 R/TP
		R13	0RJ1000D677	100 OHM 1/10 W 5% 1608 R/TP
		R130	0RJ1000D677	100 OHM 1/10 W 5% 1608 R/TP
		R131	0RJ5600D677	560 OHM 1/10 W 5% 1608 R/TP
		R132	0RJ0000D677	0 OHM 1/10 W 5% 1608 R/TP

DATE: 2005. 01. 21.				
*S	*AL	LOC. NO.	PART NO.	DESCRIPTION / SPECIFICATION
		R133	0RJ6801D677	6800 OHM 1/10 W 5% 1608 R/TP
		R134	0RJ6801D677	6800 OHM 1/10 W 5% 1608 R/TP
		R135	0RJ6801D677	6800 OHM 1/10 W 5% 1608 R/TP
		R136	0RJ7501D677	7.5K OHM 1/10 W 5% 1608 R/TP
		R137	0RJ7501D677	7.5K OHM 1/10 W 5% 1608 R/TP
		R138	0RJ7501D677	7.5K OHM 1/10 W 5% 1608 R/TP
		R14	0RJ1000D677	100 OHM 1/10 W 5% 1608 R/TP
		R140	0RJ3300D677	330 OHM 1/10 W 5% 1608 R/TP
		R141	0RJ0222D677	22 OHM 1/10 W 5% 1608 R/TP
		R142	0RJ0222D677	22 OHM 1/10 W 5% 1608 R/TP
		R143	0RH3300D622	330 OHM 1 / 10 W 2012 5.00%
		R144	0RJ0332D677	33 OHM 1/10 W 5% 1608 R/TP
		R145	0RJ1000D677	100 OHM 1/10 W 5% 1608 R/TP
		R146	0RJ1005D677	10M OHM 1/10 W 5% 1608 R/TP
		R147	0RJ3300D677	330 OHM 1/10 W 5% 1608 R/TP
		R148	0RJ3300D677	330 OHM 1/10 W 5% 1608 R/TP
		R15	0RJ1000D677	100 OHM 1/10 W 5% 1608 R/TP
		R151	0RJ3300D677	330 OHM 1/10 W 5% 1608 R/TP
		R152	0RJ0000D677	0 OHM 1/10 W 5% 1608 R/TP
		R153	0RJ0000D677	0 OHM 1/10 W 5% 1608 R/TP
		R154	0RJ0000D677	0 OHM 1/10 W 5% 1608 R/TP
		R155	0RJ1000D677	100 OHM 1/10 W 5% 1608 R/TP
		R156	0RJ0332D677	33 OHM 1/10 W 5% 1608 R/TP
		R157	0RJ0332D677	33 OHM 1/10 W 5% 1608 R/TP
		R158	0RJ0332D677	33 OHM 1/10 W 5% 1608 R/TP
		R159	0RJ0332D677	33 OHM 1/10 W 5% 1608 R/TP
		R16	0RJ1000D677	100 OHM 1/10 W 5% 1608 R/TP
		R160	0RJ3300D677	330 OHM 1/10 W 5% 1608 R/TP
		R161	0RJ3300D677	330 OHM 1/10 W 5% 1608 R/TP
		R162	0RJ3300D677	330 OHM 1/10 W 5% 1608 R/TP
		R163	0RJ1000D677	100 OHM 1/10 W 5% 1608 R/TP
		R164	0RJ4701D677	4.7K OHM 1/10 W 5% 1608 R/TP
		R165	0RJ1500D677	150 OHM 1/10 W 5% 1608 R/TP
		R166	0RJ0752D677	75 OHM 1/10 W 5% 1608 R/TP
		R167	0RJ4701D677	4.7K OHM 1/10 W 5% 1608 R/TP
		R168	0RH4702D622	47K OHM 1 / 10 W 2012 5.00%
		R169	0RH4702D622	47K OHM 1 / 10 W 2012 5.00%
		R17	0RJ4701D677	4.7K OHM 1/10 W 5% 1608 R/TP
		R170	0RJ0222D677	22 OHM 1/10 W 5% 1608 R/TP
		R171	0RJ1000D677	100 OHM 1/10 W 5% 1608 R/TP
		R172	0RJ6801D677	6800 OHM 1/10 W 5% 1608 R/TP
		R173	0RJ3901D677	3.9K OHM 1/10 W 5% 1608 R/TP
		R174	0RJ0222D677	22 OHM 1/10 W 5% 1608 R/TP
		R175	0RJ1001D677	1K OHM 1/10 W 5% 1608 R/TP
		R176	0RJ0222D677	22 OHM 1/10 W 5% 1608 R/TP
		R177	0RJ0222D677	22 OHM 1/10 W 5% 1608 R/TP
		R178	0RJ0222D677	22 OHM 1/10 W 5% 1608 R/TP
		R179	0RJ0222D677	22 OHM 1/10 W 5% 1608 R/TP
		R18	0RJ0000D677	0 OHM 1/10 W 5% 1608 R/TP
		R180	0RJ0222D677	22 OHM 1/10 W 5% 1608 R/TP
		R181	0RJ0222D677	22 OHM 1/10 W 5% 1608 R/TP
		R182	0RJ1001D677	1K OHM 1/10 W 5% 1608 R/TP
		R183	0RJ4701D677	4.7K OHM 1/10 W 5% 1608 R/TP
		R184	0RJ4701D677	4.7K OHM 1/10 W 5% 1608 R/TP
		R185	0RJ4701D677	4.7K OHM 1/10 W 5% 1608 R/TP
		R186	0RJ0222D677	22 OHM 1/10 W 5% 1608 R/TP
		R187	0RJ0222D677	22 OHM 1/10 W 5% 1608 R/TP
		R188	0RJ0222D677	22 OHM 1/10 W 5% 1608 R/TP
		R189	0RJ0222D677	22 OHM 1/10 W 5% 1608 R/TP
		R19	0RJ1000D677	100 OHM 1/10 W 5% 1608 R/TP
		R190	0RJ4700D677	470 OHM 1/10 W 5% 1608 R/TP
		R191	0RJ3302D677	33K OHM 1/10 W 5% 1608 R/TP

DATE: 2005. 01. 21.				
*S	*AL	LOC. NO.	PART NO.	DESCRIPTION / SPECIFICATION
		R192	0RJ1000D677	100 OHM 1/10 W 5% 1608 R/TP
		R193	0RJ1000D677	100 OHM 1/10 W 5% 1608 R/TP
		R194	0RJ0000D677	0 OHM 1/10 W 5% 1608 R/TP
		R195	0RJ2002D677	20000 OHM 1/10 W 5% 1608 R/TP
		R196	0RJ1001D677	1K OHM 1/10 W 5% 1608 R/TP
		R199	0RJ0222D677	22 OHM 1/10 W 5% 1608 R/TP
		R2	0RJ0222D677	22 OHM 1/10 W 5% 1608 R/TP
		R20	0RH4702D622	47K OHM 1 / 10 W 2012 5.00%
		R200	0RJ0222D677	22 OHM 1/10 W 5% 1608 R/TP
		R201	0RJ4701D677	4.7K OHM 1/10 W 5% 1608 R/TP
		R202	0RJ1000D677	100 OHM 1/10 W 5% 1608 R/TP
		R203	0RJ0000D677	0 OHM 1/10 W 5% 1608 R/TP
		R204	0RJ1000D677	100 OHM 1/10 W 5% 1608 R/TP
		R205	0RJ1003D677	100K OHM 1/10 W 5% 1608 R/TP
		R206	0RJ1000D677	100 OHM 1/10 W 5% 1608 R/TP
		R207	0RJ0000D677	0 OHM 1/10 W 5% 1608 R/TP
		R208	0RJ0822D677	82 OHM 1/10 W 5% 1608 R/TP
		R209	0RJ1003D677	100K OHM 1/10 W 5% 1608 R/TP
		R21	0RH4701D622	4.7K OHM 1 / 10 W 2012 5.00%
		R210	0RJ1003D677	100K OHM 1/10 W 5% 1608 R/TP
		R212	0RJ4701D677	4.7K OHM 1/10 W 5% 1608 R/TP
		R213	0RJ0102D677	10 OHM 1/10 W 5% 1608 R/TP
		R214	0RJ1802D677	18K OHM 1/10 W 5% 1608 R/TP
		R216	0RJ0222D677	22 OHM 1/10 W 5% 1608 R/TP
		R217	0RJ0222D677	22 OHM 1/10 W 5% 1608 R/TP
		R218	0RJ0222D677	22 OHM 1/10 W 5% 1608 R/TP
		R219	0RJ0222D677	22 OHM 1/10 W 5% 1608 R/TP
		R22	0RJ0472D677	47 OHM 1/10 W 5% 1608 R/TP
		R220	0RJ0222D677	22 OHM 1/10 W 5% 1608 R/TP
		R221	0RJ0222D677	22 OHM 1/10 W 5% 1608 R/TP
		R222	0RJ1202D677	12K OHM 1/10 W 5% 1608 R/TP
		R223	0RH3300D622	330 OHM 1 / 10 W 2012 5.00%
		R224	0RJ0332D677	33 OHM 1/10 W 5% 1608 R/TP
		R225	0RJ2202D677	22K OHM 1/10 W 5% 1608 R/TP
		R226	0RJ1000D677	100 OHM 1/10 W 5% 1608 R/TP
		R227	0RJ6800D677	680 OHM 1/10 W 5% 1608 R/TP
		R228	0RJ1000D677	100 OHM 1/10 W 5% 1608 R/TP
		R229	0RJ1005D677	10M OHM 1/10 W 5% 1608 R/TP
		R23	0RJ1000D677	100 OHM 1/10 W 5% 1608 R/TP
		R230	0RJ4701D677	4.7K OHM 1/10 W 5% 1608 R/TP
		R231	0RJ0222D677	22 OHM 1/10 W 5% 1608 R/TP
		R232	0RJ0222D677	22 OHM 1/10 W 5% 1608 R/TP
		R234	0RJ1802D677	18K OHM 1/10 W 5% 1608 R/TP
		R236	0RJ4701D677	4.7K OHM 1/10 W 5% 1608 R/TP
		R237	0RJ1802D677	18K OHM 1/10 W 5% 1608 R/TP
		R238	0RJ1802D677	18K OHM 1/10 W 5% 1608 R/TP
		R239	0RJ1802D677	18K OHM 1/10 W 5% 1608 R/TP
		R24	0RJ1000D677	100 OHM 1/10 W 5% 1608 R/TP
		R240	0RH4702D622	47K OHM 1 / 10 W 2012 5.00%
		R241	0RH4702D622	47K OHM 1 / 10 W 2012 5.00%
		R242	0RH1000D622	100 OHM 1 / 10 W 2012 5.00%
		R243	0RH1000D622	100 OHM 1 / 10 W 2012 5.00%
		R244	0RJ0222D677	22 OHM 1/10 W 5% 1608 R/TP
		R245	0RJ0222D677	22 OHM 1/10 W 5% 1608 R/TP
		R246	0RJ0222D677	22 OHM 1/10 W 5% 1608 R/TP
		R247	0RJ1802D677	18K OHM 1/10 W 5% 1608 R/TP
		R248	0RJ1000D677	100 OHM 1/10 W 5% 1608 R/TP
		R25	0RJ1000D677	100 OHM 1/10 W 5% 1608 R/TP
		R250	0RJ0000D677	0 OHM 1/10 W 5% 1608 R/TP
		R251	0RH4702D622	47K OHM 1 / 10 W 2012 5.00%
		R252	0RJ4700D677	470 OHM 1/10 W 5% 1608 R/TP
		R253	0RJ0000D677	0 OHM 1/10 W 5% 1608 R/TP

DATE: 2005. 01. 21.				
*S	*AL	LOC. NO.	PART NO.	DESCRIPTION / SPECIFICATION
		R254	0RJ1002D677	10K OHM 1/10 W 5% 1608 R/TP
		R255	0RJ0472D677	47 OHM 1/10 W 5% 1608 R/TP
		R256	0RJ0000D677	0 OHM 1/10 W 5% 1608 R/TP
		R257	0RJ1002D677	10K OHM 1/10 W 5% 1608 R/TP
		R258	0RJ1003D677	100K OHM 1/10 W 5% 1608 R/TP
		R259	0RJ0000D677	0 OHM 1/10 W 5% 1608 R/TP
		R26	0RJ4701D677	4.7K OHM 1/10 W 5% 1608 R/TP
		R260	0RJ3300D677	330 OHM 1/10 W 5% 1608 R/TP
		R261	0RJ0000D677	0 OHM 1/10 W 5% 1608 R/TP
		R262	0RJ3300D677	330 OHM 1/10 W 5% 1608 R/TP
		R263	0RJ0000D677	0 OHM 1/10 W 5% 1608 R/TP
		R264	0RJ3300D677	330 OHM 1/10 W 5% 1608 R/TP
		R265	0RJ1002D677	10K OHM 1/10 W 5% 1608 R/TP
		R267	0RJ1000D677	100 OHM 1/10 W 5% 1608 R/TP
		R268	0RJ0222D677	22 OHM 1/10 W 5% 1608 R/TP
		R269	0RJ0222D677	22 OHM 1/10 W 5% 1608 R/TP
		R27	0RJ3000D677	300 OHM 1/10 W 5% 1608 R/TP
		R270	0RJ1000D677	100 OHM 1/10 W 5% 1608 R/TP
		R271	0RJ1000D677	100 OHM 1/10 W 5% 1608 R/TP
		R272	0RJ1000D677	100 OHM 1/10 W 5% 1608 R/TP
		R273	0RJ1000D677	100 OHM 1/10 W 5% 1608 R/TP
		R274	0RJ1000D677	100 OHM 1/10 W 5% 1608 R/TP
		R275	0RJ1000D677	100 OHM 1/10 W 5% 1608 R/TP
		R276	0RJ1000D677	100 OHM 1/10 W 5% 1608 R/TP
		R277	0RJ1000D677	100 OHM 1/10 W 5% 1608 R/TP
		R278	0RJ1000D677	100 OHM 1/10 W 5% 1608 R/TP
		R279	0RJ1002D677	10K OHM 1/10 W 5% 1608 R/TP
		R28	0RJ1001D677	1K OHM 1/10 W 5% 1608 R/TP
		R281	0RJ0000D677	0 OHM 1/10 W 5% 1608 R/TP
		R282	0RJ0222D677	22 OHM 1/10 W 5% 1608 R/TP
		R283	0RJ0222D677	22 OHM 1/10 W 5% 1608 R/TP
		R284	0RJ1000D677	100 OHM 1/10 W 5% 1608 R/TP
		R285	0RJ4703D677	470K OHM 1/10 W 5% 1608 R/TP
		R286	0RJ0222D677	22 OHM 1/10 W 5% 1608 R/TP
		R287	0RJ0222D677	22 OHM 1/10 W 5% 1608 R/TP
		R288	0RJ0752D677	75 OHM 1/10 W 5% 1608 R/TP
		R289	0RJ0752D677	75 OHM 1/10 W 5% 1608 R/TP
		R29	0RJ1000D677	100 OHM 1/10 W 5% 1608 R/TP
		R290	0RJ0752D677	75 OHM 1/10 W 5% 1608 R/TP
		R291	0RJ5600D677	560 OHM 1/10 W 5% 1608 R/TP
		R292	0RJ5600D677	560 OHM 1/10 W 5% 1608 R/TP
		R293	0RJ5600D677	560 OHM 1/10 W 5% 1608 R/TP
		R294	0RJ6801D677	6800 OHM 1/10 W 5% 1608 R/TP
		R295	0RH0000D622	0 OHM 1 / 10 W 2012 5.00% D
		R296	0RH1000D622	100 OHM 1 / 10 W 2012 5.00% D
		R297	0RH1001D622	1K OHM 1 / 10 W 2012 5.00% D
		R298	0RH1001D622	1K OHM 1 / 10 W 2012 5.00% D
		R299	0RH2201D622	2.2K OHM 1 / 10 W 2012 5.00% D
		R3	0RJ4701D677	4.7K OHM 1/10 W 5% 1608 R/TP
		R30	0RJ0102D677	10 OHM 1/10 W 5% 1608 R/TP
		R300	0RH2701D622	2.7K OHM 1 / 10 W 2012 5.00% D
		R301	0RH1001D622	1K OHM 1 / 10 W 2012 5.00% D
		R302	0RJ6801D677	6800 OHM 1/10 W 5% 1608 R/TP
		R303	0RJ1003D677	100K OHM 1/10 W 5% 1608 R/TP
		R304	0RJ6801D677	6800 OHM 1/10 W 5% 1608 R/TP
		R305	0RJ7501D677	7.5K OHM 1/10 W 5% 1608 R/TP
		R306	0RJ7501D677	7.5K OHM 1/10 W 5% 1608 R/TP
		R307	0RJ7501D677	7.5K OHM 1/10 W 5% 1608 R/TP
		R308	0RJ7501D677	7.5K OHM 1/10 W 5% 1608 R/TP
		R309	0RJ7501D677	7.5K OHM 1/10 W 5% 1608 R/TP
		R31	0RJ0102D677	10 OHM 1/10 W 5% 1608 R/TP
		R310	0RJ7501D677	7.5K OHM 1/10 W 5% 1608 R/TP

DATE: 2005. 01. 21.				
*S	*AL	LOC. NO.	PART NO.	DESCRIPTION / SPECIFICATION
		R311	0RJ6801D677	6800 OHM 1/10 W 5% 1608 R/TP
		R312	0RJ6801D677	6800 OHM 1/10 W 5% 1608 R/TP
		R313	0RJ4701D677	4.7K OHM 1/10 W 5% 1608 R/TP
		R314	0RJ4701D677	4.7K OHM 1/10 W 5% 1608 R/TP
		R315	0RJ6801D677	6800 OHM 1/10 W 5% 1608 R/TP
		R316	0RJ4701D677	4.7K OHM 1/10 W 5% 1608 R/TP
		R317	0RJ4701D677	4.7K OHM 1/10 W 5% 1608 R/TP
		R318	0RJ5600D677	560 OHM 1/10 W 5% 1608 R/TP
		R319	0RJ5600D677	560 OHM 1/10 W 5% 1608 R/TP
		R32	0RJ0102D677	10 OHM 1/10 W 5% 1608 R/TP
		R320	0RJ5600D677	560 OHM 1/10 W 5% 1608 R/TP
		R321	0RJ0752D677	75 OHM 1/10 W 5% 1608 R/TP
		R322	0RJ0752D677	75 OHM 1/10 W 5% 1608 R/TP
		R323	0RJ0752D677	75 OHM 1/10 W 5% 1608 R/TP
		R324	0RJ1500D677	150 OHM 1/10 W 5% 1608 R/TP
		R325	0RJ1000D677	100 OHM 1/10 W 5% 1608 R/TP
		R326	0RJ1000D677	100 OHM 1/10 W 5% 1608 R/TP
		R327	0RJ0472D677	47 OHM 1/10 W 5% 1608 R/TP
		R328	0RJ1000D677	100 OHM 1/10 W 5% 1608 R/TP
		R329	0RJ0102D677	10 OHM 1/10 W 5% 1608 R/TP
		R33	0RJ0102D677	10 OHM 1/10 W 5% 1608 R/TP
		R330	0RJ0222D677	22 OHM 1/10 W 5% 1608 R/TP
		R331	0RJ0222D677	22 OHM 1/10 W 5% 1608 R/TP
		R332	0RH3600D622	CHIP 360-J 1/10 W
		R333	0RH2001D622	2K OHM 1 / 10 W 2012 5.00% D
		R334	0RH2001D622	2K OHM 1 / 10 W 2012 5.00% D
		R335	0RJ1001D677	1K OHM 1/10 W 5% 1608 R/TP
		R336	0RJ1001D677	1K OHM 1/10 W 5% 1608 R/TP
		R337	0RJ4701D677	4.7K OHM 1/10 W 5% 1608 R/TP
		R338	0RJ4701D677	4.7K OHM 1/10 W 5% 1608 R/TP
		R339	0RJ4701D677	4.7K OHM 1/10 W 5% 1608 R/TP
		R34	0RJ1000D677	100 OHM 1/10 W 5% 1608 R/TP
		R340	0RJ4701D677	4.7K OHM 1/10 W 5% 1608 R/TP
		R341	0RH3600D622	CHIP 360-J 1/10 W
		R342	0RJ3300D677	330 OHM 1/10 W 5% 1608 R/TP
		R343	0RJ0472D677	47 OHM 1/10 W 5% 1608 R/TP
		R344	0RJ0472D677	47 OHM 1/10 W 5% 1608 R/TP
		R345	0RJ0000D677	0 OHM 1/10 W 5% 1608 R/TP
		R346	0RJ3300D677	330 OHM 1/10 W 5% 1608 R/TP
		R347	0RH3600D622	CHIP 360-J 1/10 W
		R348	0RJ1004D677	1000000 OHM 1/10 W 5% 1608 R
		R349	0RJ3300D677	330 OHM 1/10 W 5% 1608 R/TP
		R35	0RJ1000D677	100 OHM 1/10 W 5% 1608 R/TP
		R350	0RJ1002D677	10K OHM 1/10 W 5% 1608 R/TP
		R351	0RJ6801D677	6800 OHM 1/10 W 5% 1608 R/TP
		R354	0RJ1000D677	100 OHM 1/10 W 5% 1608 R/TP
		R355	0RJ1000D677	100 OHM 1/10 W 5% 1608 R/TP
		R358	0RJ0222D677	22 OHM 1/10 W 5% 1608 R/TP
		R359	0RJ0222D677	22 OHM 1/10 W 5% 1608 R/TP
		R36	0RJ1000D677	100 OHM 1/10 W 5% 1608 R/TP
		R361	0RJ1002D677	10K OHM 1/10 W 5% 1608 R/TP
		R362	0RJ5600D677	560 OHM 1/10 W 5% 1608 R/TP
		R363	0RJ5600D677	560 OHM 1/10 W 5% 1608 R/TP
		R364	0RJ0222D677	22 OHM 1/10 W 5% 1608 R/TP
		R365	0RJ0222D677	22 OHM 1/10 W 5% 1608 R/TP
		R366	0RJ4701D677	4.7K OHM 1/10 W 5% 1608 R/TP
		R367	0RJ4701D677	4.7K OHM 1/10 W 5% 1608 R/TP
		R368	0RJ3000D677	300 OHM 1/10 W 5% 1608 R/TP
		R369	0RJ1004D677	1000000 OHM 1/10 W 5% 1608 R
		R37	0RJ1000D677	100 OHM 1/10 W 5% 1608 R/TP
		R371	0RJ8202D677	82K OHM 1/10 W 5% 1608 R/TP
		R372	0RJ8202D677	82K OHM 1/10 W 5% 1608 R/TP

DATE: 2005. 01. 21.				
*S	*AL	LOC. NO.	PART NO.	DESCRIPTION / SPECIFICATION
		R373	0RJ8202D677	82K OHM 1/10 W 5% 1608 R/TP
		R374	0RJ8202D677	82K OHM 1/10 W 5% 1608 R/TP
		R375	0RJ8202D677	82K OHM 1/10 W 5% 1608 R/TP
		R376	0RJ8202D677	82K OHM 1/10 W 5% 1608 R/TP
		R377	0RJ0222D677	22 OHM 1/10 W 5% 1608 R/TP
		R378	0RJ0222D677	22 OHM 1/10 W 5% 1608 R/TP
		R379	0RJ4701D677	4.7K OHM 1/10 W 5% 1608 R/TP
		R38	0RJ1000D677	100 OHM 1/10 W 5% 1608 R/TP
		R380	0RJ4701D677	4.7K OHM 1/10 W 5% 1608 R/TP
		R381	0RJ3000D677	300 OHM 1/10 W 5% 1608 R/TP
		R382	0RJ4701D677	4.7K OHM 1/10 W 5% 1608 R/TP
		R383	0RJ1000D677	100 OHM 1/10 W 5% 1608 R/TP
		R385	0RJ7501D677	7.5K OHM 1/10 W 5% 1608 R/TP
		R386	0RJ7501D677	7.5K OHM 1/10 W 5% 1608 R/TP
		R387	0RJ7501D677	7.5K OHM 1/10 W 5% 1608 R/TP
		R388	0RJ6801D677	6800 OHM 1/10 W 5% 1608 R/TP
		R389	0RJ6801D677	6800 OHM 1/10 W 5% 1608 R/TP
		R39	0RJ1000D677	100 OHM 1/10 W 5% 1608 R/TP
		R390	0RJ6801D677	6800 OHM 1/10 W 5% 1608 R/TP
		R391	0RJ5600D677	560 OHM 1/10 W 5% 1608 R/TP
		R392	0RJ5600D677	560 OHM 1/10 W 5% 1608 R/TP
		R393	0RJ5600D677	560 OHM 1/10 W 5% 1608 R/TP
		R394	0RJ0752D677	75 OHM 1/10 W 5% 1608 R/TP
		R395	0RJ0752D677	75 OHM 1/10 W 5% 1608 R/TP
		R396	0RJ0752D677	75 OHM 1/10 W 5% 1608 R/TP
		R398	0RJ0102D677	10 OHM 1/10 W 5% 1608 R/TP
		R399	0RJ0102D677	10 OHM 1/10 W 5% 1608 R/TP
		R4	0RJ4701D677	4.7K OHM 1/10 W 5% 1608 R/TP
		R40	0RJ0102D677	10 OHM 1/10 W 5% 1608 R/TP
		R400	0RJ0102D677	10 OHM 1/10 W 5% 1608 R/TP
		R401	0RJ0102D677	10 OHM 1/10 W 5% 1608 R/TP
		R402	0RJ0102D677	10 OHM 1/10 W 5% 1608 R/TP
		R403	0RJ0102D677	10 OHM 1/10 W 5% 1608 R/TP
		R404	0RJ0102D677	10 OHM 1/10 W 5% 1608 R/TP
		R405	0RJ0102D677	10 OHM 1/10 W 5% 1608 R/TP
		R409	0RJ1000D677	100 OHM 1/10 W 5% 1608 R/TP
		R41	0RJ0102D677	10 OHM 1/10 W 5% 1608 R/TP
		R410	0RJ0222D677	22 OHM 1/10 W 5% 1608 R/TP
		R415	0RH0000D622	0 OHM 1 / 10 W 2012 5.00% D
		R416	0RH0000D622	0 OHM 1 / 10 W 2012 5.00% D
		R42	0RJ1000D677	100 OHM 1/10 W 5% 1608 R/TP
		R420	0RJ0222D677	22 OHM 1/10 W 5% 1608 R/TP
		R421	0RJ0222D677	22 OHM 1/10 W 5% 1608 R/TP
		R422	0RJ0222D677	22 OHM 1/10 W 5% 1608 R/TP
		R423	0RH0222D622	22 OHM 1 / 10 W 2012 5.00% D
		R43	0RJ1000D677	100 OHM 1/10 W 5% 1608 R/TP
		R431	0RJ1001D677	1K OHM 1/10 W 5% 1608 R/TP
		R432	0RJ0222D677	22 OHM 1/10 W 5% 1608 R/TP
		R433	0RJ0222D677	22 OHM 1/10 W 5% 1608 R/TP
		R434	0RJ1001D677	1K OHM 1/10 W 5% 1608 R/TP
		R435	0RJ4701D677	4.7K OHM 1/10 W 5% 1608 R/TP
		R436	0RJ4701D677	4.7K OHM 1/10 W 5% 1608 R/TP
		R437	0RJ1000D677	100 OHM 1/10 W 5% 1608 R/TP
		R44	0RJ1000D677	100 OHM 1/10 W 5% 1608 R/TP
		R441	0RJ4701D677	4.7K OHM 1/10 W 5% 1608 R/TP
		R442	0RJ4701D677	4.7K OHM 1/10 W 5% 1608 R/TP
		R443	0RJ1001D677	1K OHM 1/10 W 5% 1608 R/TP
		R444	0RJ3000D677	300 OHM 1/10 W 5% 1608 R/TP
		R445	0RJ0000D677	0 OHM 1/10 W 5% 1608 R/TP
		R447	0RJ3000D677	300 OHM 1/10 W 5% 1608 R/TP
		R448	0RJ0222D677	22 OHM 1/10 W 5% 1608 R/TP
		R449	0RJ0222D677	22 OHM 1/10 W 5% 1608 R/TP

DATE: 2005. 01. 21.				
*S	*AL	LOC. NO.	PART NO.	DESCRIPTION / SPECIFICATION
		R45	0RJ4701D677	4.7K OHM 1/10 W 5% 1608 R/TP
		R450	0RJ0222D677	22 OHM 1/10 W 5% 1608 R/TP
		R451	0RJ0222D677	22 OHM 1/10 W 5% 1608 R/TP
		R452	0RJ0222D677	22 OHM 1/10 W 5% 1608 R/TP
		R453	0RJ0222D677	22 OHM 1/10 W 5% 1608 R/TP
		R454	0RJ3300D677	330 OHM 1/10 W 5% 1608 R/TP
		R46	0RJ3000D677	300 OHM 1/10 W 5% 1608 R/TP
		R468	0RH0222D622	22 OHM 1 / 10 W 2012 5.00% D
		R469	0RH0222D622	22 OHM 1 / 10 W 2012 5.00% D
		R47	0RJ4701D677	4.7K OHM 1/10 W 5% 1608 R/TP
		R470	0RH0222D622	22 OHM 1 / 10 W 2012 5.00% D
		R471	0RH0222D622	22 OHM 1 / 10 W 2012 5.00% D
		R472	0RH0222D622	22 OHM 1 / 10 W 2012 5.00% D
		R473	0RH0222D622	22 OHM 1 / 10 W 2012 5.00% D
		R477	0RJ1500D677	150 OHM 1/10 W 5% 1608 R/TP
		R479	0RJ0000D677	0 OHM 1/10 W 5% 1608 R/TP
		R48	0RJ4701D677	4.7K OHM 1/10 W 5% 1608 R/TP
		R480	0RJ6800D677	680 OHM 1/10 W 5% 1608 R/TP
		R481	0RJ6800D677	680 OHM 1/10 W 5% 1608 R/TP
		R482	0RJ3300D677	330 OHM 1/10 W 5% 1608 R/TP
		R483	0RJ3300D677	330 OHM 1/10 W 5% 1608 R/TP
		R484	0RJ3300D677	330 OHM 1/10 W 5% 1608 R/TP
		R485	0RJ1000D677	100 OHM 1/10 W 5% 1608 R/TP
		R488	0RJ4701D677	4.7K OHM 1/10 W 5% 1608 R/TP
		R489	0RJ0000D677	0 OHM 1/10 W 5% 1608 R/TP
		R49	0RJ4701D677	4.7K OHM 1/10 W 5% 1608 R/TP
		R490	0RJ4701D677	4.7K OHM 1/10 W 5% 1608 R/TP
		R491	0RJ1002D677	10K OHM 1/10 W 5% 1608 R/TP
		R492	0RJ4701D677	4.7K OHM 1/10 W 5% 1608 R/TP
		R493	0RJ1002D677	10K OHM 1/10 W 5% 1608 R/TP
		R494	0RJ1001D677	1K OHM 1/10 W 5% 1608 R/TP
		R495	0RJ5600D677	560 OHM 1/10 W 5% 1608 R/TP
		R496	0RJ5601D477	5.6K OHM 1/10 W 1% 1608 R/TP
		R497	0RJ5601D477	5.6K OHM 1/10 W 1% 1608 R/TP
		R498	0RJ5601D477	5.6K OHM 1/10 W 1% 1608 R/TP
		R499	0RJ6800D677	680 OHM 1/10 W 5% 1608 R/TP
		R5	0RJ0102D677	10 OHM 1/10 W 5% 1608 R/TP
		R50	0RJ4701D677	4.7K OHM 1/10 W 5% 1608 R/TP
		R500	0RJ6800D677	680 OHM 1/10 W 5% 1608 R/TP
		R501	0RJ6800D677	680 OHM 1/10 W 5% 1608 R/TP
		R502	0RJ0752D677	75 OHM 1/10 W 5% 1608 R/TP
		R503	0RJ3000D677	300 OHM 1/10 W 5% 1608 R/TP
		R504	0RJ3000D677	300 OHM 1/10 W 5% 1608 R/TP
		R507	0RJ3300D677	330 OHM 1/10 W 5% 1608 R/TP
		R508	0RJ2000D677	200 OHM 1/10 W 5% 1608 R/TP
		R509	0RJ3300D677	330 OHM 1/10 W 5% 1608 R/TP
		R51	0RJ4701D677	4.7K OHM 1/10 W 5% 1608 R/TP
		R510	0RJ2000D677	200 OHM 1/10 W 5% 1608 R/TP
		R511	0RJ1000D677	100 OHM 1/10 W 5% 1608 R/TP
		R512	0RJ6800D677	680 OHM 1/10 W 5% 1608 R/TP
		R513	0RJ6800D677	680 OHM 1/10 W 5% 1608 R/TP
		R514	0RH4703D622	470K OHM 1 / 10 W 2012 5.00%
		R515	0RJ5600D677	560 OHM 1/10 W 5% 1608 R/TP
		R516	0RJ5600D677	560 OHM 1/10 W 5% 1608 R/TP
		R517	0RJ4701D677	4.7K OHM 1/10 W 5% 1608 R/TP
		R518	0RJ5601D477	5.6K OHM 1/10 W 1% 1608 R/TP
		R519	0RJ5601D477	5.6K OHM 1/10 W 1% 1608 R/TP
		R52	0RJ1002D677	10K OHM 1/10 W 5% 1608 R/TP
		R520	0RJ4701D677	4.7K OHM 1/10 W 5% 1608 R/TP
		R521	0RJ3300D677	330 OHM 1/10 W 5% 1608 R/TP
		R522	0RJ6800D677	680 OHM 1/10 W 5% 1608 R/TP
		R523	0RJ4701D677	4.7K OHM 1/10 W 5% 1608 R/TP

DATE: 2005. 01. 21.				
*S	*AL	LOC. NO.	PART NO.	DESCRIPTION / SPECIFICATION
		R524	0RJ4701D677	4.7K OHM 1/10 W 5% 1608 R/TP
		R525	0RJ0102D677	10 OHM 1/10 W 5% 1608 R/TP
		R53	0RJ4701D677	4.7K OHM 1/10 W 5% 1608 R/TP
		R530	0RJ0102D677	10 OHM 1/10 W 5% 1608 R/TP
		R531	0RJ0102D677	10 OHM 1/10 W 5% 1608 R/TP
		R532	0RJ4701D677	4.7K OHM 1/10 W 5% 1608 R/TP
		R533	0RJ1002D677	10K OHM 1/10 W 5% 1608 R/TP
		R54	0RJ3000D677	300 OHM 1/10 W 5% 1608 R/TP
		R541	0RJ9100D677	910 OHM 1/10 W 5% 1608 R/TP
		R542	0RJ9100D677	910 OHM 1/10 W 5% 1608 R/TP
		R543	0RJ0000D677	0 OHM 1/10 W 5% 1608 R/TP
		R55	0RJ4701D677	4.7K OHM 1/10 W 5% 1608 R/TP
		R550	0RJ0472D677	47 OHM 1/10 W 5% 1608 R/TP
		R552	0RJ1002D677	10K OHM 1/10 W 5% 1608 R/TP
		R553	0RJ0000D677	0 OHM 1/10 W 5% 1608 R/TP
		R554	0RJ0000D677	0 OHM 1/10 W 5% 1608 R/TP
		R559	0RJ0000D677	0 OHM 1/10 W 5% 1608 R/TP
		R56	0RJ1000D677	100 OHM 1/10 W 5% 1608 R/TP
		R560	0RJ0000D677	0 OHM 1/10 W 5% 1608 R/TP
		R561	0RJ0000D677	0 OHM 1/10 W 5% 1608 R/TP
		R562	0RJ0000D677	0 OHM 1/10 W 5% 1608 R/TP
		R563	0RJ0000D677	0 OHM 1/10 W 5% 1608 R/TP
		R564	0RJ0000D677	0 OHM 1/10 W 5% 1608 R/TP
		R565	0RJ0000D677	0 OHM 1/10 W 5% 1608 R/TP
		R566	0RH0000D622	0 OHM 1 / 10 W 2012 5.00% D
		R567	0RH0000D622	0 OHM 1 / 10 W 2012 5.00% D
		R568	0RJ0000D677	0 OHM 1/10 W 5% 1608 R/TP
		R569	0RJ0472D677	47 OHM 1/10 W 5% 1608 R/TP
		R57	0RJ1000D677	100 OHM 1/10 W 5% 1608 R/TP
		R573	0RJ0222D677	22 OHM 1/10 W 5% 1608 R/TP
		R574	0RJ0222D677	22 OHM 1/10 W 5% 1608 R/TP
		R575	0RJ0000D677	0 OHM 1/10 W 5% 1608 R/TP
		R576	0RJ0000D677	0 OHM 1/10 W 5% 1608 R/TP
		R577	0RJ0222D677	22 OHM 1/10 W 5% 1608 R/TP
		R578	0RJ0000D677	0 OHM 1/10 W 5% 1608 R/TP
		R58	0RJ1000D677	100 OHM 1/10 W 5% 1608 R/TP
		R580	0RH0222D622	22 OHM 1 / 10 W 2012 5.00% D
		R581	0RJ1001D677	1K OHM 1/10 W 5% 1608 R/TP
		R582	0RJ0222D677	22 OHM 1/10 W 5% 1608 R/TP
		R583	0RJ0222D677	22 OHM 1/10 W 5% 1608 R/TP
		R584	0RJ1001D677	1K OHM 1/10 W 5% 1608 R/TP
		R585	0RJ1001D677	1K OHM 1/10 W 5% 1608 R/TP
		R586	0RJ3000D677	300 OHM 1/10 W 5% 1608 R/TP
		R587	0RJ3000D677	300 OHM 1/10 W 5% 1608 R/TP
		R588	0RJ0222D677	22 OHM 1/10 W 5% 1608 R/TP
		R589	0RJ0222D677	22 OHM 1/10 W 5% 1608 R/TP
		R59	0RJ1000D677	100 OHM 1/10 W 5% 1608 R/TP
		R590	0RJ0222D677	22 OHM 1/10 W 5% 1608 R/TP
		R591	0RJ1000D677	100 OHM 1/10 W 5% 1608 R/TP
		R592	0RJ1000D677	100 OHM 1/10 W 5% 1608 R/TP
		R593	0RJ0222D677	22 OHM 1/10 W 5% 1608 R/TP
		R595	0RJ0222D677	22 OHM 1/10 W 5% 1608 R/TP
		R596	0RJ2001D677	2K OHM 1/10 W 5% 1608 R/TP
		R597	0RJ1002D677	10K OHM 1/10 W 5% 1608 R/TP
		R598	0RJ0222D677	22 OHM 1/10 W 5% 1608 R/TP
		R599	0RJ2001D677	2K OHM 1/10 W 5% 1608 R/TP
		R6	0RJ1000D677	100 OHM 1/10 W 5% 1608 R/TP
		R60	0RJ1000D677	100 OHM 1/10 W 5% 1608 R/TP
		R600	0RJ1002D677	10K OHM 1/10 W 5% 1608 R/TP
		R61	0RJ1000D677	100 OHM 1/10 W 5% 1608 R/TP
		R610	0RJ4701D677	4.7K OHM 1/10 W 5% 1608 R/TP
		R611	0RJ0222D677	22 OHM 1/10 W 5% 1608 R/TP

DATE: 2005. 01. 21.				
*S	*AL	LOC. NO.	PART NO.	DESCRIPTION / SPECIFICATION
		R612	0RJ1001D677	1K OHM 1/10 W 5% 1608 R/TP
		R613	0RJ1001D677	1K OHM 1/10 W 5% 1608 R/TP
		R614	0RJ1001D677	1K OHM 1/10 W 5% 1608 R/TP
		R615	0RJ4701D677	4.7K OHM 1/10 W 5% 1608 R/TP
		R616	0RJ0222D677	22 OHM 1/10 W 5% 1608 R/TP
		R618	0RJ1001D677	1K OHM 1/10 W 5% 1608 R/TP
		R619	0RJ1002D677	10K OHM 1/10 W 5% 1608 R/TP
		R62	0RJ0222D677	22 OHM 1/10 W 5% 1608 R/TP
		R621	0RJ4701D677	4.7K OHM 1/10 W 5% 1608 R/TP
		R622	0RJ4701D677	4.7K OHM 1/10 W 5% 1608 R/TP
		R623	0RJ4701D677	4.7K OHM 1/10 W 5% 1608 R/TP
		R624	0RJ4701D677	4.7K OHM 1/10 W 5% 1608 R/TP
		R625	0RJ1002D677	10K OHM 1/10 W 5% 1608 R/TP
		R63	0RJ1000D677	100 OHM 1/10 W 5% 1608 R/TP
		R631	0RJ1001D677	1K OHM 1/10 W 5% 1608 R/TP
		R632	0RJ1001D677	1K OHM 1/10 W 5% 1608 R/TP
		R633	0RH1500D622	150 OHM 1 / 10 W 2012 5.00%
		R635	0RH3000D622	300 OHM 1 / 10 W 2012 5.00%
		R636	0RH1500D622	150 OHM 1 / 10 W 2012 5.00%
		R637	0RH3000D622	300 OHM 1 / 10 W 2012 5.00%
		R638	0RH1000D622	100 OHM 1 / 10 W 2012 5.00%
		R639	0RH6800D622	680 OHM 1 / 10 W 5% D R/TP
		R64	0RJ1001D677	1K OHM 1/10 W 5% 1608 R/TP
		R640	0RH6800D622	680 OHM 1 / 10 W 5% D R/TP
		R641	0RH0222D622	22 OHM 1 / 10 W 2012 5.00% D
		R642	0RH0222D622	22 OHM 1 / 10 W 2012 5.00% D
		R643	0RH6800D622	680 OHM 1 / 10 W 5% D R/TP
		R644	0RH6800D622	680 OHM 1 / 10 W 5% D R/TP
		R645	0RH0222D622	22 OHM 1 / 10 W 2012 5.00% D
		R646	0RJ1002D677	10K OHM 1/10 W 5% 1608 R/TP
		R647	0RJ1002D677	10K OHM 1/10 W 5% 1608 R/TP
		R648	0RJ1002D677	10K OHM 1/10 W 5% 1608 R/TP
		R649	0RJ0332D677	33 OHM 1/10 W 5% 1608 R/TP
		R65	0RJ1001D677	1K OHM 1/10 W 5% 1608 R/TP
		R650	0RJ3000D677	300 OHM 1/10 W 5% 1608 R/TP
		R651	0RJ0222D677	22 OHM 1/10 W 5% 1608 R/TP
		R653	0RJ6800D677	680 OHM 1/10 W 5% 1608 R/TP
		R654	0RJ2200D677	220 OHM 1/10 W 5% 1608 R/TP
		R66	0RJ1001D677	1K OHM 1/10 W 5% 1608 R/TP
		R661	0RJ1202D677	12K OHM 1/10 W 5% 1608 R/TP
		R662	0RJ5101D677	5.1K OHM 1/10 W 5% 1608 R/TP
		R665	0RH0000D622	0 OHM 1 / 10 W 2012 5.00% D
		R666	0RH0000D622	0 OHM 1 / 10 W 2012 5.00% D
		R667	0RJ1002D677	10K OHM 1/10 W 5% 1608 R/TP
		R668	0RJ1002D677	10K OHM 1/10 W 5% 1608 R/TP
		R669	0RH0102D622	10 OHM 1 / 10 W 2012 5.00% D
		R67	0RJ1001D677	1K OHM 1/10 W 5% 1608 R/TP
		R670	0RH0102D622	10 OHM 1 / 10 W 2012 5.00% D
		R671	0RH0000D622	0 OHM 1 / 10 W 2012 5.00% D
		R672	0RH0000D622	0 OHM 1 / 10 W 2012 5.00% D
		R673	0RH0000D622	0 OHM 1 / 10 W 2012 5.00% D
		R674	0RH0000D622	0 OHM 1 / 10 W 2012 5.00% D
		R675	0RH0000D622	0 OHM 1 / 10 W 2012 5.00% D
		R677	0RJ4700D677	470 OHM 1/10 W 5% 1608 R/TP
		R68	0RJ1001D677	1K OHM 1/10 W 5% 1608 R/TP
		R69	0RJ1004D677	1000000 OHM 1/10 W 5% 1608 R
		R7	0RJ1000D677	100 OHM 1/10 W 5% 1608 R/TP
		R70	0RJ0752D677	75 OHM 1/10 W 5% 1608 R/TP
		R71	0RJ0752D677	75 OHM 1/10 W 5% 1608 R/TP
		R72	0RJ0752D677	75 OHM 1/10 W 5% 1608 R/TP
		R73	0RJ2201D677	2200 OHM 1/10 W 5% 1608 R/TP
		R74	0RJ2201D677	2200 OHM 1/10 W 5% 1608 R/TP

DATE: 2005. 01. 21.				
*S	*AL	LOC. NO.	PART NO.	DESCRIPTION / SPECIFICATION
		R75	0RJ0222D677	22 OHM 1/10 W 5% 1608 R/TP
		R76	0RJ0222D677	22 OHM 1/10 W 5% 1608 R/TP
		R77	0RJ1001D677	1K OHM 1/10 W 5% 1608 R/TP
		R78	0RH1000D622	100 OHM 1 / 10 W 2012 5.00%
		R79	0RH1000D622	100 OHM 1 / 10 W 2012 5.00%
		R8	0RJ1000D677	100 OHM 1/10 W 5% 1608 R/TP
		R80	0RH0332D622	33 OHM 1 / 10 W 2012 5.00% D
		R81	0RJ1001D677	1K OHM 1/10 W 5% 1608 R/TP
		R82	0RJ4701D677	4.7K OHM 1/10 W 5% 1608 R/TP
		R83	0RJ1001D677	1K OHM 1/10 W 5% 1608 R/TP
		R84	0RJ4701D677	4.7K OHM 1/10 W 5% 1608 R/TP
		R85	0RJ1000D677	100 OHM 1/10 W 5% 1608 R/TP
		R86	0RJ1001D677	1K OHM 1/10 W 5% 1608 R/TP
		R87	0RJ0222D677	22 OHM 1/10 W 5% 1608 R/TP
		R89	0RJ1000D677	100 OHM 1/10 W 5% 1608 R/TP
		R9	0RJ1000D677	100 OHM 1/10 W 5% 1608 R/TP
		R90	0RJ2000D677	200 OHM 1/10 W 5% 1608 R/TP
		R901	0RJ4700D677	470 OHM 1/10 W 5% 1608 R/TP
		R902	0RH2201D622	2.2K OHM 1 / 10 W 2012 5.00%
		R903	0RH2201D622	2.2K OHM 1 / 10 W 2012 5.00%
		R904	0RH4701D622	4.7K OHM 1 / 10 W 2012 5.00%
		R905	0RJ0222D677	22 OHM 1/10 W 5% 1608 R/TP
		R906	0RJ0222D677	22 OHM 1/10 W 5% 1608 R/TP
		R907	0RJ5600D677	560 OHM 1/10 W 5% 1608 R/TP
		R908	0RH1004D622	1M OHM 1 / 10 W 2012 5.00% D
		R909	0RJ1004D677	1000000 OHM 1/10 W 5% 1608 R
		R91	0RJ2000D677	200 OHM 1/10 W 5% 1608 R/TP
		R910	0RH4701D622	4.7K OHM 1 / 10 W 2012 5.00%
		R911	0RH4701D622	4.7K OHM 1 / 10 W 2012 5.00%
		R912	0RH0222D622	22 OHM 1 / 10 W 2012 5.00% D
		R913	0RH0222D622	22 OHM 1 / 10 W 2012 5.00% D
		R92	0RJ4702D677	47000 OHM 1/10 W 5% 1608 R/T
		R93	0RJ1003D677	100K OHM 1/10 W 5% 1608 R/TP
		R95	0RJ3900D677	390 OHM 1/10 W 5% 1608 R/TP
		R96	0RJ1002D677	10K OHM 1/10 W 5% 1608 R/TP
		R97	0RJ1000D677	100 OHM 1/10 W 5% 1608 R/TP
		R99	0RJ1002D677	10K OHM 1/10 W 5% 1608 R/TP
		RA1	0RHZTCZ001A	RCA SMART 100OHM 1/16 W 5% 3
		RA10	0RHZTCZ001D	RCA SMART 22OHM 1/16 W 5% 32
		RA100	0RHZTCZ001D	RCA SMART 22OHM 1/16 W 5% 32
		RA101	0RHZTCZ001D	RCA SMART 22OHM 1/16 W 5% 32
		RA102	0RHZTCZ001D	RCA SMART 22OHM 1/16 W 5% 32
		RA103	0RHZTCZ001D	RCA SMART 22OHM 1/16 W 5% 32
		RA11	0RHZTCZ001D	RCA SMART 22OHM 1/16 W 5% 32
		RA12	0RHZTCZ001D	RCA SMART 22OHM 1/16 W 5% 32
		RA13	0RHZTCZ001D	RCA SMART 22OHM 1/16 W 5% 32
		RA14	0RHZTCZ001D	RCA SMART 22OHM 1/16 W 5% 32
		RA15	0RHZTCZ001D	RCA SMART 22OHM 1/16 W 5% 32
		RA16	0RHZTCZ001D	RCA SMART 22OHM 1/16 W 5% 32
		RA17	0RHZTCZ001D	RCA SMART 22OHM 1/16 W 5% 32
		RA18	0RHZTCZ001D	RCA SMART 22OHM 1/16 W 5% 32
		RA19	0RHZTCZ001D	RCA SMART 22OHM 1/16 W 5% 32
		RA2	0RHZTCZ001D	RCA SMART 22OHM 1/16 W 5% 32
		RA20	0RHZTCZ001D	RCA SMART 22OHM 1/16 W 5% 32
		RA21	0RHZTCZ001D	RCA SMART 22OHM 1/16 W 5% 32
		RA22	0RHZTCZ001D	RCA SMART 22OHM 1/16 W 5% 32
		RA23	0RHZTCZ001D	RCA SMART 22OHM 1/16 W 5% 32
		RA24	0RHZTCZ001D	RCA SMART 22OHM 1/16 W 5% 32
		RA25	0RHZTCZ001D	RCA SMART 22OHM 1/16 W 5% 32
		RA26	0RHZTCZ001D	RCA SMART 22OHM 1/16 W 5% 32
		RA27	0RHZTCZ001D	RCA SMART 22OHM 1/16 W 5% 32
		RA28	0RHZTCZ001D	RCA SMART 22OHM 1/16 W 5% 32

DATE: 2005. 01. 21.				
*S	*AL	LOC. NO.	PART NO.	DESCRIPTION / SPECIFICATION
		RA29	0RHZTCZ001D	RCA SMART 22OHM 1/16 W 5% 32
		RA3	0RHZTCZ001D	RCA SMART 22OHM 1/16 W 5% 32
		RA30	0RHZTCZ001D	RCA SMART 22OHM 1/16 W 5% 32
		RA31	0RHZTCZ001D	RCA SMART 22OHM 1/16 W 5% 32
		RA38	0RHZTCZ001D	RCA SMART 22OHM 1/16 W 5% 32
		RA39	0RHZTCZ001D	RCA SMART 22OHM 1/16 W 5% 32
		RA4	0RHZTCZ001D	RCA SMART 22OHM 1/16 W 5% 32
		RA40	0RHZTCZ001D	RCA SMART 22OHM 1/16 W 5% 32
		RA41	0RHZTCZ001D	RCA SMART 22OHM 1/16 W 5% 32
		RA42	0RHZTCZ001D	RCA SMART 22OHM 1/16 W 5% 32
		RA43	0RHZTCZ001D	RCA SMART 22OHM 1/16 W 5% 32
		RA44	0RHZTCZ001D	RCA SMART 22OHM 1/16 W 5% 32
		RA45	0RHZTCZ001D	RCA SMART 22OHM 1/16 W 5% 32
		RA46	0RHZTCZ001A	RCA SMART 100OHM 1/16 W 5% 3
		RA47	0RHZTCZ001A	RCA SMART 100OHM 1/16 W 5% 3
		RA48	0RHZTCZ001A	RCA SMART 100OHM 1/16 W 5% 3
		RA49	0RHZTCZ001A	RCA SMART 100OHM 1/16 W 5% 3
		RA5	0RHZTCZ001D	RCA SMART 22OHM 1/16 W 5% 32
		RA50	0RHZTCZ001A	RCA SMART 100OHM 1/16 W 5% 3
		RA51	0RHZTCZ001A	RCA SMART 100OHM 1/16 W 5% 3
		RA52	0RHZTCZ001A	RCA SMART 100OHM 1/16 W 5% 3
		RA53	0RHZTCZ001A	RCA SMART 100OHM 1/16 W 5% 3
		RA54	0RHZTCZ001A	RCA SMART 100OHM 1/16 W 5% 3
		RA55	0RHZTCZ001A	RCA SMART 100OHM 1/16 W 5% 3
		RA56	0RHZTCZ001A	RCA SMART 100OHM 1/16 W 5% 3
		RA57	0RHZTCZ001A	RCA SMART 100OHM 1/16 W 5% 3
		RA58	0RHZTCZ001A	RCA SMART 100OHM 1/16 W 5% 3
		RA59	0RHZTCZ001A	RCA SMART 100OHM 1/16 W 5% 3
		RA6	0RHZTCZ001D	RCA SMART 22OHM 1/16 W 5% 32
		RA60	0RHZTCZ001A	RCA SMART 100OHM 1/16 W 5% 3
		RA603	0RHZTCZ001D	RCA SMART 22OHM 1/16 W 5% 32
		RA604	0RHZTCZ001D	RCA SMART 22OHM 1/16 W 5% 32
		RA61	0RHZTCZ001A	RCA SMART 100OHM 1/16 W 5% 3
		RA610	0RHZTCZ001D	RCA SMART 22OHM 1/16 W 5% 32
		RA611	0RHZTCZ001D	RCA SMART 22OHM 1/16 W 5% 32
		RA62	0RHZTCZ001A	RCA SMART 100OHM 1/16 W 5% 3
		RA63	0RHZTCZ001A	RCA SMART 100OHM 1/16 W 5% 3
		RA64	0RHZTCZ001A	RCA SMART 100OHM 1/16 W 5% 3
		RA65	0RHZTCZ001A	RCA SMART 100OHM 1/16 W 5% 3
		RA66	0RHZTCZ001D	RCA SMART 22OHM 1/16 W 5% 32
		RA67	0RHZTCZ001D	RCA SMART 22OHM 1/16 W 5% 32
		RA68	0RHZTCZ001D	RCA SMART 22OHM 1/16 W 5% 32
		RA69	0RHZTCZ001D	RCA SMART 22OHM 1/16 W 5% 32
		RA7	0RHZTCZ001D	RCA SMART 22OHM 1/16 W 5% 32
		RA70	0RHZTCZ001D	RCA SMART 22OHM 1/16 W 5% 32
		RA71	0RHZTCZ001D	RCA SMART 22OHM 1/16 W 5% 32
		RA72	0RHZTCZ001D	RCA SMART 22OHM 1/16 W 5% 32
		RA73	0RHZTCZ001D	RCA SMART 22OHM 1/16 W 5% 32
		RA74	0RHZTCZ001D	RCA SMART 22OHM 1/16 W 5% 32
		RA75	0RHZTCZ001D	RCA SMART 22OHM 1/16 W 5% 32
		RA76	0RHZTCZ001D	RCA SMART 22OHM 1/16 W 5% 32
		RA77	0RHZTCZ001D	RCA SMART 22OHM 1/16 W 5% 32
		RA78	0RHZTCZ001D	RCA SMART 22OHM 1/16 W 5% 32
		RA79	0RHZTCZ001D	RCA SMART 22OHM 1/16 W 5% 32
		RA8	0RHZTCZ001D	RCA SMART 22OHM 1/16 W 5% 32
		RA80	0RHZTCZ001D	RCA SMART 22OHM 1/16 W 5% 32
		RA81	0RHZTCZ001D	RCA SMART 22OHM 1/16 W 5% 32
		RA82	0RHZTCZ001D	RCA SMART 22OHM 1/16 W 5% 32
		RA83	0RHZTCZ001D	RCA SMART 22OHM 1/16 W 5% 32
		RA84	0RHZTCZ001D	RCA SMART 22OHM 1/16 W 5% 32
		RA85	0RHZTCZ001D	RCA SMART 22OHM 1/16 W 5% 32
		RA86	0RHZTCZ001D	RCA SMART 22OHM 1/16 W 5% 32

DATE: 2005. 01. 21.				
*S	*AL	LOC. NO.	PART NO.	DESCRIPTION / SPECIFICATION
		RA87	0RHZTCZ001D	RCA SMART 22OHM 1/16 W 5% 32
		RA88	0RHZTCZ001D	RCA SMART 22OHM 1/16 W 5% 32
		RA89	0RHZTCZ001D	RCA SMART 22OHM 1/16 W 5% 32
		RA9	0RHZTCZ001D	RCA SMART 22OHM 1/16 W 5% 32
		RA93	0RHZTCZ001D	RCA SMART 22OHM 1/16 W 5% 32
		RA94	0RHZTCZ001D	RCA SMART 22OHM 1/16 W 5% 32
		RA95	0RHZTCZ001D	RCA SMART 22OHM 1/16 W 5% 32
		RA96	0RHZTCZ001D	RCA SMART 22OHM 1/16 W 5% 32
		RA97	0RHZTCZ001D	RCA SMART 22OHM 1/16 W 5% 32
		RA98	0RHZTCZ001D	RCA SMART 22OHM 1/16 W 5% 32
		RA99	0RHZTCZ001D	RCA SMART 22OHM 1/16 W 5% 32
OTHERS				
		IC902A	381-204B	42PIN(1.78-15.24AMMON)
		L11	0LC2000005D	"F1-B2012-332KJT,3.3 UH CERAT"
		L12	0LC2000005D	"F1-B2012-332KJT,3.3 UH CERAT"
		L13	0LC2000005D	"F1-B2012-332KJT,3.3 UH CERAT"
		L14	0LC2000005D	"F1-B2012-332KJT,3.3 UH CERAT"
		L22	0LC2000005E	"F1-C2012-822KJT,8.2UH CERATE"
		L3	0LC2000005D	"F1-B2012-332KJT,3.3 UH CERAT"
		L36	0LC2000005D	"F1-B2012-332KJT,3.3 UH CERAT"
		L44	0LC2000005D	"F1-B2012-332KJT,3.3 UH CERAT"
		L62	0LCTD00036C	NLV32T-181J-PF TDK R/TP
		L63	0LCTD00036C	NLV32T-181J-PF TDK R/TP
		L7	0LC2000005D	"F1-B2012-332KJT,3.3 UH CERAT"
		X1	6212AA2004H	HC-49U TXC 6MHZ +/- 30 PPM 2
		X2	6212AB2806A	SX-1 SUNNY 24.576MHZ +/- 50
		X3	6212AA2004H	HC-49U TXC 14.318 MHZ +/- 30
		X4	6202TST001H	SX-1 SUNNY 27MHZ +/- 30 PPM
		X5	6202TST001H	SX-1 SUNNY 27MHZ +/- 30 PPM
		X7	6212AC2002A	6H26 TXC 32.768KHZ +/- 30 PP
		X901	6212AA2004A	HC-49U TXC 12.0MHZ +/- 30 PP
INTERFACE BOARD				
		C101	0CZZTAT006C	RV2-16V470MU-R ELNA 16V 47UF
		C103	0CK103CK51A	0.01UF 1608 50V 10% R/TP B(Y
		C104	0CZZTAT006C	RV2-16V470MU-R ELNA 16V 47UF
		C105	0CK224CF56A	0.22UF 1608 16V 10% R/TP X7R
		C106	0CK104CK56A	0.1UF 1608 50V 10% R/TP X7R
		C107	0CK103CK51A	0.01UF 1608 50V 10% R/TP B(Y
		C109	0CZZTAT006C	RV2-16V470MU-R ELNA 16V 47UF
		C110	0CK103CK51A	0.01UF 1608 50V 10% R/TP B(Y
		C111	0CK224CF56A	0.22UF 1608 16V 10% R/TP X7R
		C112	0CK103CK51A	0.01UF 1608 50V 10% R/TP B(Y
		C113	0CK474CH94A	"0.47UF 1608 25V 80%,-20% R/T"
		C114	0CK103CK51A	0.01UF 1608 50V 10% R/TP B(Y
		C115	0CK103CK51A	0.01UF 1608 50V 10% R/TP B(Y
		C116	0CZZTAT006C	RV2-16V470MU-R ELNA 16V 47UF
		C117	0CK105CD56A	1UF 1608 10V 10% R/TP X7R
		C118	0CK105CD56A	1UF 1608 10V 10% R/TP X7R
		Q101	0TR390409AE	FAIRCHILD KST3904(LGEMTF) TP
		Q102	0TR390409AE	FAIRCHILD KST3904(LGEMTF) TP
		Q103	0TR390409AE	FAIRCHILD KST3904(LGEMTF) TP
		Q104	0TR390409AE	FAIRCHILD KST3904(LGEMTF) TP
		Q105	0TR390409AE	FAIRCHILD KST3904(LGEMTF) TP
		Q106	0TR390409AE	FAIRCHILD KST3904(LGEMTF) TP
		Q107	0TR390409AE	FAIRCHILD KST3904(LGEMTF) TP
		R103	0RJ4702D677	47000 OHM 1/10 W 5% 1608 R/T
		R105	0RJ1000D677	100 OHM 1/10 W 5% 1608 R/TP
		R106	0RJ0000D677	0 OHM 1/10 W 5% 1608 R/TP

DATE: 2005. 01. 21.				
*S	*AL	LOC. NO.	PART NO.	DESCRIPTION / SPECIFICATION
		R107	0RJ1001D677	1K OHM 1/10 W 5% 1608 R/TP
		R110	0RJ4702D677	47000 OHM 1/10 W 5% 1608 R/T
		R111	0RJ1001D677	1K OHM 1/10 W 5% 1608 R/TP
		R112	0RJ0000D677	0 OHM 1/10 W 5% 1608 R/TP
		R113	0RJ1000D677	100 OHM 1/10 W 5% 1608 R/TP
		R114	0RJ0000D677	0 OHM 1/10 W 5% 1608 R/TP
		R115	0RJ1000D677	100 OHM 1/10 W 5% 1608 R/TP
		R117	0RJ4702D677	47000 OHM 1/10 W 5% 1608 R/T
		R118	0RJ1001D677	1K OHM 1/10 W 5% 1608 R/TP
		R119	0RJ4702D677	47000 OHM 1/10 W 5% 1608 R/T
		R121	0RJ0000D677	0 OHM 1/10 W 5% 1608 R/TP
		R122	0RJ1000D677	100 OHM 1/10 W 5% 1608 R/TP
		R123	0RJ1000D677	100 OHM 1/10 W 5% 1608 R/TP
		R125	0RJ0000D677	0 OHM 1/10 W 5% 1608 R/TP
		R126	0RJ4702D677	47000 OHM 1/10 W 5% 1608 R/T
		R127	0RJ1001D677	1K OHM 1/10 W 5% 1608 R/TP
		R130	0RJ0000D677	0 OHM 1/10 W 5% 1608 R/TP
		R131	0RJ1003D677	100K OHM 1/10 W 5% 1608 R/TP
		R132	0RJ1003D677	100K OHM 1/10 W 5% 1608 R/TP
		R133	0RJ0000D677	0 OHM 1/10 W 5% 1608 R/TP
		R134	0RJ4702D677	47000 OHM 1/10 W 5% 1608 R/T
		R135	0RJ0000D677	0 OHM 1/10 W 5% 1608 R/TP
		R136	0RJ1000D677	100 OHM 1/10 W 5% 1608 R/TP
		R137	0RJ0000D677	0 OHM 1/10 W 5% 1608 R/TP
		R138	0RJ4702D677	47000 OHM 1/10 W 5% 1608 R/T
		R139	0RJ1001D677	1K OHM 1/10 W 5% 1608 R/TP
		R140	0RJ0752D677	75 OHM 1/10 W 5% 1608 R/TP
		R141	0RJ0752D677	75 OHM 1/10 W 5% 1608 R/TP
		R142	0RJ4702D677	47000 OHM 1/10 W 5% 1608 R/T
		R143	0RJ4702D677	47000 OHM 1/10 W 5% 1608 R/T
		R144	0RJ0000D677	0 OHM 1/10 W 5% 1608 R/TP
		R145	0RJ2201D677	2200 OHM 1/10 W 5% 1608 R/TP
		R146	0RJ3300D677	330 OHM 1/10 W 5% 1608 R/TP
		R147	0RJ3300D677	330 OHM 1/10 W 5% 1608 R/TP
		R148	0RJ0752D677	75 OHM 1/10 W 5% 1608 R/TP
		R149	0RJ4702D677	47000 OHM 1/10 W 5% 1608 R/T
		R150	0RJ3301D677	3.3K OHM 1/10 W 5% 1608 R/TP
		R151	0RJ4702D677	47000 OHM 1/10 W 5% 1608 R/T
		R152	0RJ3301D677	3.3K OHM 1/10 W 5% 1608 R/TP
		R153	0RJ0000D677	0 OHM 1/10 W 5% 1608 R/TP
		R154	0RJ2201D677	2200 OHM 1/10 W 5% 1608 R/TP
		R155	0RJ0000D677	0 OHM 1/10 W 5% 1608 R/TP
		R156	0RJ4703D677	470K OHM 1/10 W 5% 1608 R/TP
		R157	0RJ4703D677	470K OHM 1/10 W 5% 1608 R/TP
		ZD101	0DZ910009FE	UDZ5 9.1B TP ROHM -- 9.1V -
		ZD102	0DZ910009FE	UDZ5 9.1B TP ROHM -- 9.1V -
		ZD103	0DZ910009FE	UDZ5 9.1B TP ROHM -- 9.1V -
		ZD104	0DZ910009FE	UDZ5 9.1B TP ROHM -- 9.1V -
		ZD105	0DZ910009FE	UDZ5 9.1B TP ROHM -- 9.1V -
CONTROL BOARD				
		C11	0CN1040K949	"0.1UF D 50V 80%,-20% F(Y5V)"
		C12	0CN1040K949	"0.1UF D 50V 80%,-20% F(Y5V)"
		C13	0CN1040K949	"0.1UF D 50V 80%,-20% F(Y5V)"
		ZD11	0DZ510009BE	GDZ5.1B TP GRANDE DO34 500MW
		R11	0RN2001F409	2K OHM 1/6 W 1.00% TA52
		R12	0RN2700F409	270 1/6W 1% TA52
		R13	0RN3900F409	390 1/6W 1% TA52
		R14	0RN5100F409	510 OHM 1/6 W 1.00% TA52
		R15	0RN7500F409	750 OHM 1/6 W 1.00% TA52
		R16	0RN1201F409	1.2K OHM 1/6 W 1.00% TA52

DATE: 2005. 01. 21.				
*S	*AL	LOC. NO.	PART NO.	DESCRIPTION / SPECIFICATION
		S1	140-058E	SKHV10910B LGEC NON 12V 20A
		S2	140-058E	SKHV10910B LGEC NON 12V 20A
		S3	140-058E	SKHV10910B LGEC NON 12V 20A
		S4	140-058E	SKHV10910B LGEC NON 12V 20A
		S5	140-058E	SKHV10910B LGEC NON 12V 20A
		S6	140-058E	SKHV10910B LGEC NON 12V 20A
		FB11	125-155J	BFS2550A0FG SAMWHA 2.5*5.0MM
SOUND BOARD				
		C317	0CZZTAT005B	RJ4-16V101MX ELNA 16V 100UF
		C329	0CZZTAT007D	RE3-35V331MH3#-T2 ELNA 35V 3
		C332	0CZZTAT007N	RE3-16V102MH4#-T2 ELNA 16V 1
		IC301	0IPRPT0015A	"TA1343NG,LF TOSHIBA 24P,SDIP"
		C301	0CC1010K405	100PF D 50V 5% SL TR
		C302	0CC1010K405	100PF D 50V 5% SL TR
		C306	0CK1030K945	"0.01UF D 50V 80%,-20% F(Y5V)"
		C315	0CK1030K945	"0.01UF D 50V 80%,-20% F(Y5V)"
		C316	0CK1030K945	"0.01UF D 50V 80%,-20% F(Y5V)"
		C318	0CK2230K945	"0.022UF D 50V 80%,-20% F(Y5V)"
		C322	0CK1030K945	"0.01UF D 50V 80%,-20% F(Y5V)"
		C323	0CK1030K945	"0.01UF D 50V 80%,-20% F(Y5V)"
		C331	0CK1040K945	"0.1UF D 50V 80%,-20% F(Y5V)"
		C335	0CK1040K945	"0.1UF D 50V 80%,-20% F(Y5V)"
		C310	0CQ2231N419	0.022UF 100V J PE NI TP
		C327	0CZZTAT007B	RE3-16V470ME3#-T2 ELNA 16V 4
		C334	0CZZTAT007B	RE3-16V470ME3#-T2 ELNA 16V 4
		C308	0CZZTAT007H	RE3-50V100ME3#-T2 ELNA 50V 1
		C309	0CZZTAT007H	RE3-50V100ME3#-T2 ELNA 50V 1
		C311	0CZZTAT007G	RE3-50V4R7ME3#-T2 ELNA 50V 4
		C313	0CZZTFT001L	ECQB1H822JM3 822J 50V TP5.0
		C314	0CZZTAT007F	RE3-50V3R3ME3#-T2 ELNA 50V 3
		C319	0CZZTFT001V	ECQB1H473JM3 473J 50V TP5.0
		C303	0CZZTAT007H	RE3-50V100ME3#-T2 ELNA 50V 1
		C326	0CZZTAT007G	RE3-50V4R7ME3#-T2 ELNA 50V 4
		C328	0CZZTAT007H	RE3-50V100ME3#-T2 ELNA 50V 1
		C346	0CZZTFT001L	ECQB1H822JM3 822J 50V TP5.0
		Q301	0TR127009AA	KTA1270-Y(KTA562TM) TP KEC T
		Q302	0TR319809AA	KTC3198(KTC1815) KEC TP TO92
		Q304	0TR319809AA	KTC3198(KTC1815) KEC TP TO92
		FB301	125-155G	BFS3550R2FG SAMWHA 3.5*5MM R
		C304	181-288H	MKT 100V 333JTR PHS 86333
		C305	181-288H	MKT 100V 333JTR PHS 86333
		C307	181-288H	MKT 100V 333JTR PHS 86333
		C320	181-288H	MKT 100V 333JTR PHS 86333
		C352	0CH3104K566	0.1UF 50V 10% X7R 2012 R/TP
		C353	0CH3104K566	0.1UF 50V 10% X7R 2012 R/TP
		C354	0CH3474H946	"0.47UF 25V 80%,-20% F(Y5V) 2"
		C355	0CH3474H946	"0.47UF 25V 80%,-20% F(Y5V) 2"
		C356	0CH3103K516	10000PF 50V 10% B(Y5P) 2012
		C357	0CH3103K516	10000PF 50V 10% B(Y5P) 2012
		C358	0CH3105H946	"1UF 25V 80%,-20% F(Y5V) 2012"
		C359	0CZZTAT006D	RV2-16V101MSU-R ELNA 16V 100
		C504	0CZZTAT006D	RV2-16V101MSU-R ELNA 16V 100
		C1301	0CH6150K416	15PF 50V J NP0 2012 R/TP
		C1302	0CH6150K416	15PF 50V J NP0 2012 R/TP
		C1303	0CH6150K416	15PF 50V J NP0 2012 R/TP
		C1304	0CH6150K416	15PF 50V J NP0 2012 R/TP
		C1305	0CH6150K416	15PF 50V J NP0 2012 R/TP
		C1306	0CH6150K416	15PF 50V J NP0 2012 R/TP
		C1307	0CH6150K416	15PF 50V J NP0 2012 R/TP
		C1308	0CH6150K416	15PF 50V J NP0 2012 R/TP

DATE: 2005. 01. 21.				
*S	*AL	LOC. NO.	PART NO.	DESCRIPTION / SPECIFICATION
			D301	0DS226009AA KDS226 TP KEC - 80V -- 4NSE
			D302	0DS226009AA KDS226 TP KEC - 80V -- 4NSE
			D303	0DS226009AA KDS226 TP KEC - 80V -- 4NSE
			D304	0DS226009AA KDS226 TP KEC - 80V -- 4NSE
			IC302	0IPMGKE039A "KIA78D09F KEC 3P,DPAK R/TP 9"
			IC351	0IPRPTI036B "TPA3004D2PHPRG4,LF TEXAS INS"
			R301	0RH4703D622 470K OHM 1 / 10 W 2012 5.00%
			R302	0RH4703D622 470K OHM 1 / 10 W 2012 5.00%
			R303	0RH1000D622 100 OHM 1 / 10 W 2012 5.00%
			R304	0RH1000D622 100 OHM 1 / 10 W 2012 5.00%
			R305	0RH1000D622 100 OHM 1 / 10 W 2012 5.00%
			R306	0RH1000D622 100 OHM 1 / 10 W 2012 5.00%
			R307	0RH1000D622 100 OHM 1 / 10 W 2012 5.00%
			R308	0RH1000D622 100 OHM 1 / 10 W 2012 5.00%
			R313	0RH2702D622 27K OHM 1 / 10 W 2012 5.00%
			R314	0RH1002D622 10K OHM 1 / 10 W 2012 5.00%
			R315	0RH1001D622 1K OHM 1 / 10 W 2012 5.00% D
			R316	0RH6801D622 6.8K OHM 1 / 10 W 2012 5.00%
			R317	0RJ2002D477 20K OHM 1/10 W 1% 1608 R/TP
			R318	0RJ3302D477 33K OHM 1/10 W 1% 1608 R/TP
			R321	0RJ1301D477 1.3K OHM 1/10 W 1% 1608 R/TP
			L351	6140TBZ007E "SLF12575T-330M3R2,TDK SMD CH"
			L352	6140TBZ007E "SLF12575T-330M3R2,TDK SMD CH"
			L353	6140TBZ007E "SLF12575T-330M3R2,TDK SMD CH"
			L354	6140TBZ007E "SLF12575T-330M3R2,TDK SMD CH"
			D305	971-0054 TIN 50MM TAPING
TEMP.SENSOR BOARD				
			IC501	0IPRPN5030A "LM35DZ,NOPB NATIONAL SEMICON"
			C501	0CK103CK51A 0.01UF 1608 50V 10% R/TP B(Y
			C502	0CK103CK51A 0.01UF 1608 50V 10% R/TP B(Y
			C503	0CK103CK51A 0.01UF 1608 50V 10% R/TP B(Y
			IC502	0IKE358000P KIA358F 8P FLP-8 TP OP-AMP D
			R501	0RJ1000D477 100 OHM 1/10 W 1% 1608 R/TP
			R502	0RJ1001D477 1K OHM 1/10 W 1% 1608 R/TP
			R503	0RJ3901D677 3.9K OHM 1/10 W 5% 1608 R/TP
			R504	0RJ6801D477 6.8K OHM 1/10 W 1% 1608 R/TP
LED & POWER SWITCH BOARD				
			IC1201	6726TV0001A TSOP4838SO1 VISHAY 38.0KHZ L
			C1	0CK104CK56A 0.1UF 1608 50V 10% R/TP X7R
			C2	0CK105CF94A "1UF 1608 16V 80%,-20% R/TP F"
			C3	0CK105CF94A "1UF 1608 16V 80%,-20% R/TP F"
			D1	0DLLT0238AA LITEON LTST-C155KGJRKT R/TP
			ZD1	0DZ560009DA UDZ S 5.6B TP ROHM-K SOD323
			ZD2	0DZ560009DA UDZ S 5.6B TP ROHM-K SOD323
			R1	0RJ6800D677 680 OHM 1/10 W 5% 1608 R/TP
			R2	0RJ2000D677 200 OHM 1/10 W 5% 1608 R/TP
			R3	0RJ0472D677 47 OHM 1/10 W 5% 1608 R/TP
ETC SWITCH BOARD				
			C321	0CQ2231N419 0.022UF 100V J PE NI TP
			C336	0CZZTAT006C RV2-16V470MU-R ELNA 16V 47UF
			C351	0CZZTAT006A RV2-16V100MU-R ELNA 16V 10UF
			C360	0CH3104K566 0.1UF 50V 10% X7R 2012 R/TP
			C361	0CH3104K566 0.1UF 50V 10% X7R 2012 R/TP
			C362	0CH6221K416 220PF 50V J NP0 2012 R/TP
			C363	0CH3105H946 "1UF 25V 80%,-20% F(Y5V) 2012"

DATE: 2005. 01. 21.

*S	*AL	LOC. NO.	PART NO.	DESCRIPTION / SPECIFICATION
		C364	0CH3105H946	"1UF 25V 80%,-20% F(Y5V) 2012"
		C365	0CH3105H946	"1UF 25V 80%,-20% F(Y5V) 2012"
		C366	0CH3105H946	"1UF 25V 80%,-20% F(Y5V) 2012"
		C367	0CH3105H946	"1UF 25V 80%,-20% F(Y5V) 2012"
		C368	0CZZTAT006A	RV2-16V/100MU-R ELNA 16V 10UF
		C369	0CH3104K566	0.1UF 50V 10% X7R 2012 R/TP
		C370	0CH3104K566	0.1UF 50V 10% X7R 2012 R/TP
		C371	0CH3474H946	"0.47UF 25V 80%,-20% F(Y5V) 2"
		C372	0CH3474H946	"0.47UF 25V 80%,-20% F(Y5V) 2"
		C373	0CH3103K516	10000PF 50V 10% B(Y5P) 2012
		C374	0CH3103K516	10000PF 50V 10% B(Y5P) 2012
		C375	0CH3105H946	"1UF 25V 80%,-20% F(Y5V) 2012"
		R319	0RH1001D622	1K OHM 1 / 10 W 2012 5.00% D
		R320	0RH1002D622	10K OHM 1 / 10 W 2012 5.00%
		R322	0RH1501D622	1.5K OHM 1 / 10 W 2012 5.00%
		R323	0RH1801D622	1.8K OHM 1 / 10 W 2012 5.00%
		R324	0RH1002D622	10K OHM 1 / 10 W 2012 5.00%
		R351	0RH1203D622	120K OHM 1 / 10 W 5% D R/TP
		FB1301	6210TCE001B	HH-1H3216-500JT CERATEC 3216
		FB1302	6210TCE001B	HH-1H3216-500JT CERATEC 3216
		FB1303	6210TCE001B	HH-1H3216-500JT CERATEC 3216
		FB1304	6210TCE001B	HH-1H3216-500JT CERATEC 3216
		IC33	0IMMRAL015D	"AT49LV8192A-90TU,LF ATMEL 48"