

## SECTION 6 EXPLODED VIEWS

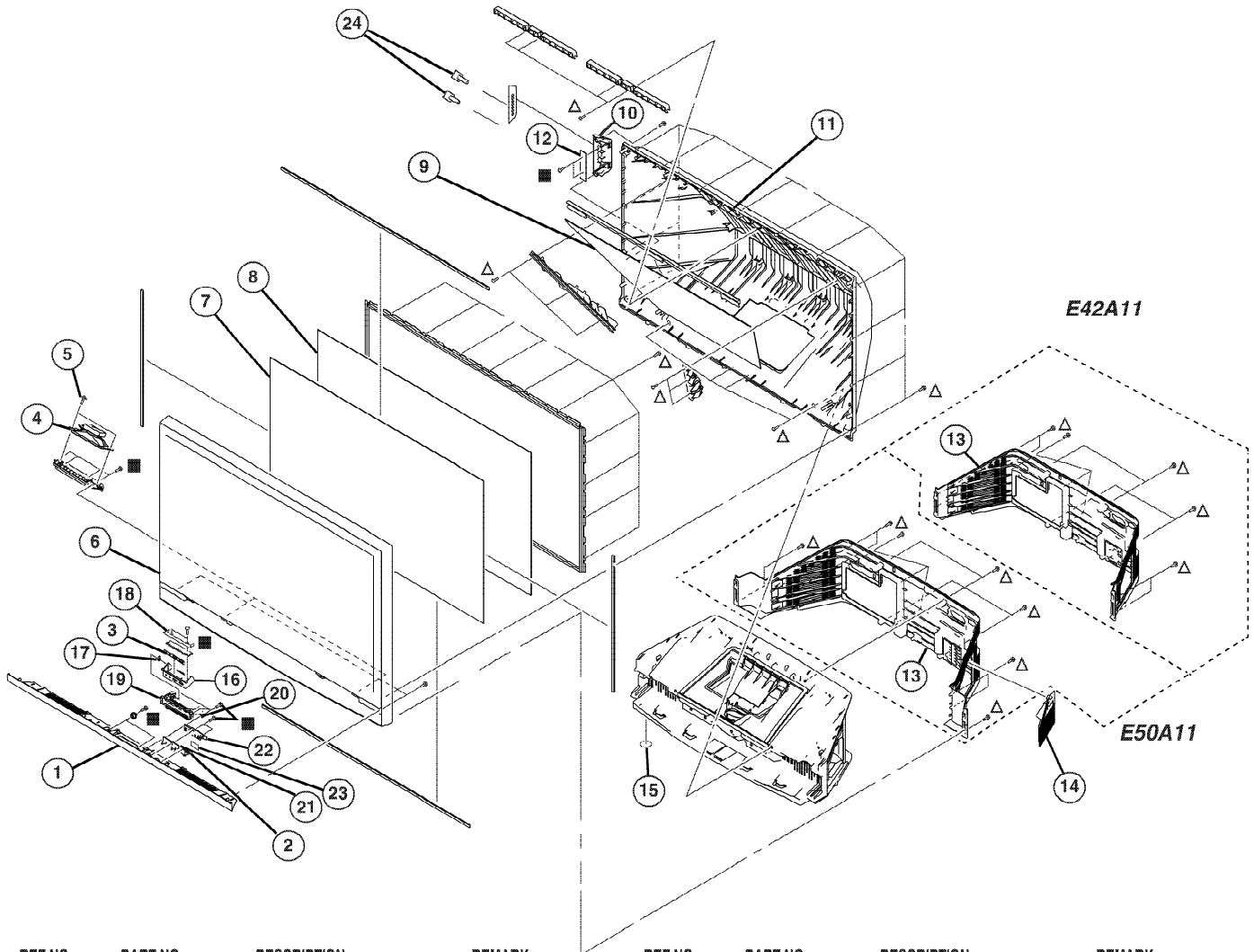
**NOTE :**

- Items with no part number and no description are not stocked because they are seldom required for routine service.
- The construction parts of an assembled part are indicated with a collation number in the remarks column.
- Items marked “\*” are not stocked since they are seldom required for routine service. Some delay should be anticipated when ordering these items.

**6-1. SCREEN MIRROR BLOCK, COVERS**

- : 7-685-648-79 SCREW +BVTP 3X12 TYPE2 IT-3
- △ : 7-685-663-79 SCREW +BVTP 4X16 TYPE2 IT-3

The components identified by shading and mark △ are critical for safety. Replace only with part number specified.

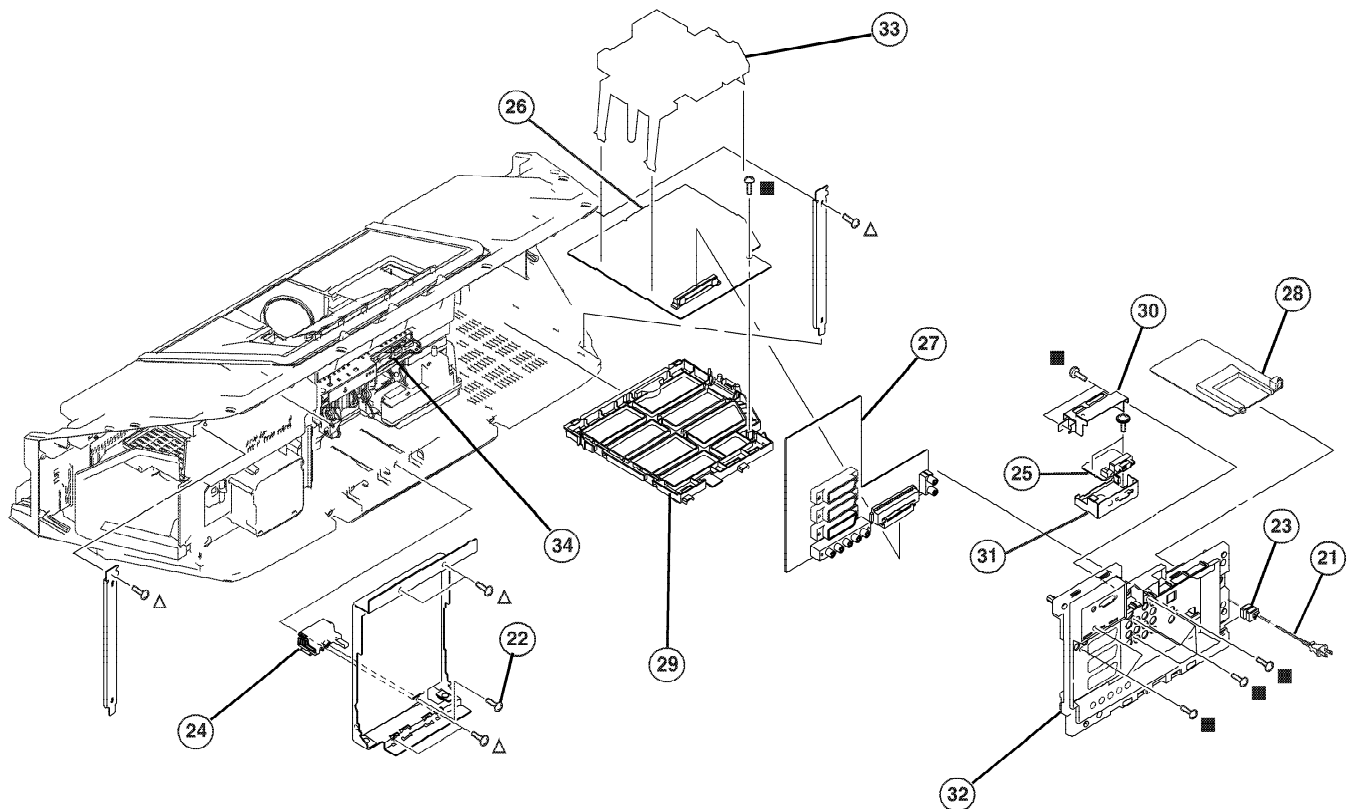


REF.NO.	PART.NO	DESCRIPTION	REMARK	REF.NO.	PART.NO	DESCRIPTION	REMARK
1	2-631-806-31	GRILLE, SPEAKER(42)	(E42A11E)	11	2-590-902-32	COVER, MIRROR (42)	(E42A11E)
	2-631-808-31	GRILLE, SPEAKER(50)	(E50A11E)		2-590-907-33	COVER, MIRROR (50)	(E50A11E)
2	2-590-913-11	BUTTON, POWER		12	*A-1107-972-A	H3 BOARD COMPLETE	
3	2-590-914-11	BUTTON, MULTI		13	2-631-704-11	COVER REAR (42)	(E42A11E)
4	1-826-219-11	LOUD SPEAKER (5.5X15CM)			2-631-704-01	COVER REAR (50)	(E50A11E)
5	4-058-870-01	SCREW, (4X16) W (+) P TAPPING		14	2-591-156-21	DOOR, LAMP	
6	X-2067-166-1	FRAME ASSY SCREEN	(E42A11E)	15	4-097-548-01	CUSHION, FOOT	
	X-2067-114-1	FRAME ASSY SCREEN	(E50A11E)	16	*2-590-915-21	TRAY, CONTROL	
7	2-590-449-21	PLATE (42L), DIFFUSION	(E42A11E)	17	2-593-048-01	DAMPER	
	2-590-451-21	PLATE (50L), DIFFUSION	(E50A11E)	18	2-590-916-11	TRAY, CONTROL (TOP)	
8	2-590-450-21	PLATE (42F), DIFFUSION	(E42A11E)	19	2-590-917-11	BRACKET, CONTROL TRAY	
	2-590-452-11	PLATE (50F), DIFFUSION	(E50A11E)	20	2-593-049-01	LATCH ASSY	
9	2-592-457-12	MIRROR (E42A11E)		21	2-590-918-21	GUIDE, LED	
	2-592-456-11	MIRROR (E50A11E)		22	*A-1107-970-A	H1 BOARD COMPLETE	
10	*2-649-045-01	BRACKET H3 (42)	(E42A11E)	23	*A-1107-971-A	H2 BOARD COMPLETE	
	*2-637-136-01	BRACKET H3 (50)	(E50A11E)	24	4-635-966-01	SCREW (HEX)	

## 6-2. CHASSIS / BOTTOM BLOCK ASSEMBLY

- : 7-685-648-79 SCREW +BVTP 3X12 TYPE2 IT-3
- △ : 7-685-663-79 SCREW +BVTP 4X16 TYPE2 IT-3

The components identified by shading and mark △ are critical for safety. Replace only with part number specified.

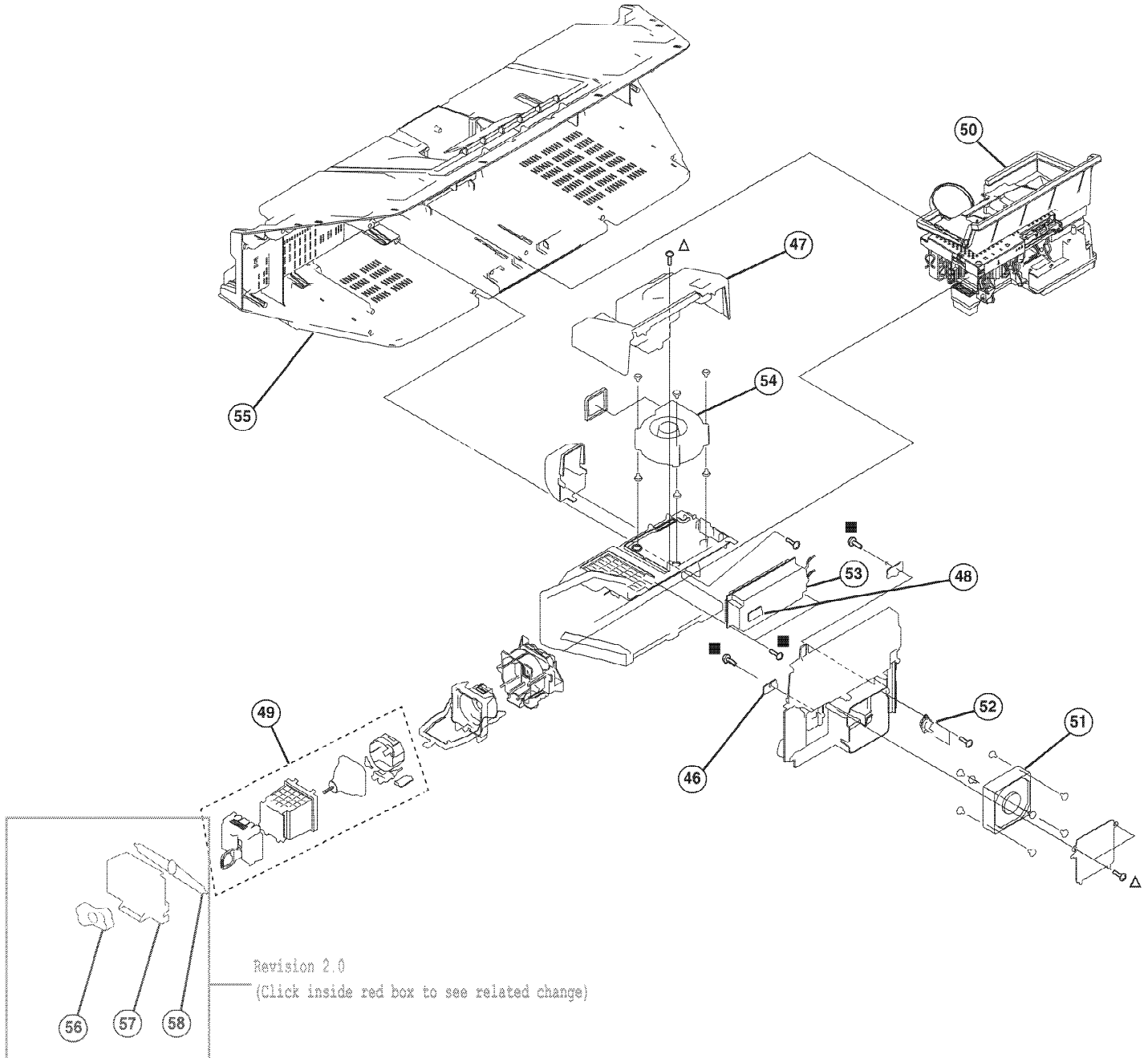


REF.NO.	PART.NO	DESCRIPTION	REMARK	REF.NO.	PART.NO	DESCRIPTION	REMARK
21	△ 1-823-715-21	CORD, POWER		28	*A-1151-409-B	N COMPLETE LE4B (ZAPPING)	
22	3-701-810-72	SCREW, TERMINAL		29	*2-593-078-21	BRACKET, G	
23	4-065-070-01	HOLDER, AC CORD		30	*2-595-154-02	SHEILD (UPPER A), HDMI	
24	X-2067-113-2	BLOCK, ADJUSTER ASSY		31	*2-632-907-01	BRACKET HDMI	
25	*A-1115-078-C	P BOARD COMPLETE		32	*2-637-134-11	BRACKET, TERMINAL	
26	*A-1151-514-A	AG COMPLETE DIG ZAPPING		33	*2-637-135-02	BRACKET F	
27	*A-1129-435-A	JB WAX COMPLETE DIG		34	*A-1087-559-A	C BOARD COMPLETE	

### 6-3. LAMP DUCT ASSEMBLY, OPTICS UNIT BLOCK

- : 7-685-648-79 SCREW +BVTP 3X12 TYPE2 IT-3
- △ : 7-685-663-79 SCREW +BVTP 4X16 TYPE2 IT-3

The components identified by shading and mark △ are critical for safety. Replace only with part number specified.



REF.NO.	PART.NO	DESCRIPTION	REMARK	REF.NO.	PART.NO	DESCRIPTION	REMARK
46	*A-1122-463-A	T1 MOUNT		53	△ 1-468-936-11	POWER SUPPLY BLOCK	
47	*2-590-723-21	COVER, SIROCCO FAN		54	△ 1-787-231-11	D.C. FAN (SIROCCO)	
48	*A-1127-037-A	T2 MOUNT		55	2-630-699-11	CABINET,BOTTOM (E42A12U)	
49	A-1127-024-A	LAMP BLOCK ASSY			2-630-699-01	CABINET,BOTTOM (E50A12U)	
50	A-1134-461-A	OPTICS UNIT BLOCK ASSY (E50A10E/E50A10U)		56	2-590-737-21	KNOB,DOOR	Revision 2.0
51	△ 1-787-373-11	D.C. FAN		57	2-590-735-11	DOOR,LAMP	(Click inside red box to
52	1-576-912-11	THERMOSTAT		58	2-590-736-11	LEVER, LOCK	see related change)

# SECTION 7 ELECTRICAL PARTS LIST

## PARTS LISTING TABLE OF CONTENTS

	<u>Page</u>
T1BOARD COMPLETE Parts List : .....	75
C BOARD COMPLETE Parts List : .....	75
T2 BOARD COMPLETE Parts List : .....	80
H3 BOARD COMPLETE Parts List : .....	80
JB BOARD COMPLETE Parts List : .....	81
N BOARD COMPLETE Parts List : .....	92
AG BOARD COMPLETE Parts List : .....	99
H2 BOARD COMPLETE Parts List : .....	104
H1 BOARD COMPLETE Parts List : .....	104
MISCELLANEOUS : .....	105
ACCESSORIES AND CONNECTORS : .....	105
REMOTE COMMANDER : .....	105

**Note:** The P Board Schematic Diagram, Printed Wiring Board and Parts List are not indicated in this manual as the PWB is regarded as a non service item for exchange only.

**Note :** Items marked “ \* ” are not stocked since they are seldom required for routine service. Some delay should be anticipated when ordering these items.  
Parts indicated (XX) on the Schematic Diagram are not used in this model and therefore do not appear in the Parts List.

REF.NO.	PART NO.	DESCRIPTION	REMARK	REF.NO.	PART NO.	DESCRIPTION	REMARK
<b>* A-1122-463-A T1 BOARD COMPLETE</b>							
< CONNECTOR >							
CN4306	1-564-705-11	PIN, CONNECTOR (SMALL TYPE) 3P		C2519	1-164-505-11	CERAMIC CHIP 2.2UF	16V
< SWITCH >				C2520	1-128-992-21	ELECT CHIP 47UF	20% 25V
S4320	1-786-591-11	SWITCH, MICRO		C2521	1-164-156-11	CERAMIC CHIP 0.1UF	25V
				C2522	1-164-156-11	CERAMIC CHIP 0.1UF	25V
				C2523	1-164-156-11	CERAMIC CHIP 0.1UF	25V
				C2524	1-164-156-11	CERAMIC CHIP 0.1UF	25V
				C2527	1-128-992-21	ELECT CHIP 47UF	20% 25V
				C2529	1-164-156-11	CERAMIC CHIP 0.1UF	25V
				C2530	1-164-156-11	CERAMIC CHIP 0.1UF	25V
				C2531	1-164-156-11	CERAMIC CHIP 0.1UF	25V
<b>* A-1087-559-A C BOARD COMPLETE</b>							
< CAPACITOR >							
C1322	1-162-964-11	CERAMIC CHIP 0.001UF	10.00% 50V	C2551	1-164-156-11	CERAMIC CHIP 0.1UF	25V
C1350	1-100-566-91	CERAMIC CHIP 0.1UF	10.00% 25V	C2552	1-164-156-11	CERAMIC CHIP 0.1UF	25V
C1351	1-128-992-21	ELECT CHIP 47UF	20% 25V	C2553	1-128-992-21	ELECT CHIP 47UF	20% 25V
C1366	1-100-566-91	CERAMIC CHIP 0.1UF	10.00% 25V	C2554	1-164-156-11	CERAMIC CHIP 0.1UF	25V
C1375	1-100-566-91	CERAMIC CHIP 0.1UF	10.00% 25V	C2555	1-164-156-11	CERAMIC CHIP 0.1UF	25V
C1376	1-162-964-11	CERAMIC CHIP 0.001UF	10.00% 50V	C2556	1-164-156-11	CERAMIC CHIP 0.1UF	25V
C1377	1-100-566-91	CERAMIC CHIP 0.1UF	10.00% 25V	C2557	1-128-992-21	ELECT CHIP 47UF	20% 25V
C1378	1-164-227-11	CERAMIC CHIP 0.022UF	10.00% 25V	C2558	1-164-156-11	CERAMIC CHIP 0.1UF	25V
C1379	1-100-566-91	CERAMIC CHIP 0.1UF	10.00% 25V	C2601	1-164-156-11	CERAMIC CHIP 0.1UF	25V
C1380	1-100-566-91	CERAMIC CHIP 0.1UF	10.00% 25V	C2602	1-117-370-11	CERAMIC CHIP 10UF	10V
C1381	1-100-566-91	CERAMIC CHIP 0.1UF	10.00% 25V	C2603	1-164-156-11	CERAMIC CHIP 0.1UF	25V
C1382	1-162-970-11	CERAMIC CHIP 0.01UF	10.00% 25V	C2605	1-164-156-11	CERAMIC CHIP 0.1UF	25V
C1383	1-162-970-11	CERAMIC CHIP 0.01UF	10.00% 25V	C2606	1-164-505-11	CERAMIC CHIP 2.2UF	16V
C1390	1-128-992-21	ELECT CHIP 47UF	20% 25V	C2607	1-164-156-11	CERAMIC CHIP 0.1UF	25V
C1398	1-100-566-91	CERAMIC CHIP 0.1UF	10.00% 25V	C2609	1-117-370-11	CERAMIC CHIP 10UF	10V
C1399	1-100-566-91	CERAMIC CHIP 0.1UF	10.00% 25V	C2610	1-164-156-11	CERAMIC CHIP 0.1UF	25V
C2046	1-164-156-11	CERAMIC CHIP 0.1UF	25V	C2612	1-164-156-11	CERAMIC CHIP 0.1UF	25V
C2047	1-164-505-11	CERAMIC CHIP 2.2UF	16V	C2613	1-164-156-11	CERAMIC CHIP 0.1UF	25V
C2048	1-164-156-11	CERAMIC CHIP 0.1UF	25V	C2615	1-164-156-11	CERAMIC CHIP 0.1UF	25V
C2049	1-117-370-11	CERAMIC CHIP 10UF	10V	C2616	1-126-396-11	ELECT CHIP 47UF	20.00% 16V
C2050	1-164-505-11	CERAMIC CHIP 2.2UF	16V	C2617	1-164-156-11	CERAMIC CHIP 0.1UF	25V
C2052	1-117-370-11	CERAMIC CHIP 10UF	10V	C2618	1-164-505-11	CERAMIC CHIP 2.2UF	16V
C2072	1-164-156-11	CERAMIC CHIP 0.1UF	25V	C2619	1-164-505-11	CERAMIC CHIP 2.2UF	16V
C2501	1-164-156-11	CERAMIC CHIP 0.1UF	25V	C2620	1-126-204-11	ELECT CHIP 47UF	20.00% 16V
C2502	1-117-370-11	CERAMIC CHIP 10UF	10V	C2621	1-164-156-11	CERAMIC CHIP 0.1UF	25V
C2503	1-164-156-11	CERAMIC CHIP 0.1UF	25V	C2622	1-164-156-11	CERAMIC CHIP 0.1UF	25V
C2505	1-164-156-11	CERAMIC CHIP 0.1UF	25V	C2623	1-164-156-11	CERAMIC CHIP 0.1UF	25V
C2506	1-164-505-11	CERAMIC CHIP 2.2UF	16V	C2624	1-164-156-11	CERAMIC CHIP 0.1UF	25V
C2507	1-164-156-11	CERAMIC CHIP 0.1UF	25V	C2625	1-164-156-11	CERAMIC CHIP 0.1UF	25V
C2509	1-117-370-11	CERAMIC CHIP 10UF	10V	C2626	1-164-156-11	CERAMIC CHIP 0.1UF	25V
C2510	1-164-156-11	CERAMIC CHIP 0.1UF	25V	C2627	1-126-396-11	ELECT CHIP 47UF	20.00% 16V
C2512	1-164-156-11	CERAMIC CHIP 0.1UF	25V	C2628	1-128-992-21	ELECT CHIP 47UF	20% 25V
C2513	1-164-156-11	CERAMIC CHIP 0.1UF	25V	C2629	1-164-156-11	CERAMIC CHIP 0.1UF	25V
C2514	1-164-156-11	CERAMIC CHIP 0.1UF	25V	C2630	1-164-156-11	CERAMIC CHIP 0.1UF	25V
C2515	1-128-992-21	ELECT CHIP 47UF	20% 25V	C2631	1-128-992-21	ELECT CHIP 47UF	20% 25V
C2516	1-128-992-21	ELECT CHIP 47UF	20% 25V	C2632	1-164-156-11	CERAMIC CHIP 0.1UF	25V
C2517	1-164-156-11	CERAMIC CHIP 0.1UF	25V	C2651	1-164-156-11	CERAMIC CHIP 0.1UF	25V
C2518	1-164-505-11	CERAMIC CHIP 2.2UF	16V	C2652	1-164-156-11	CERAMIC CHIP 0.1UF	25V
				C2653	1-128-992-21	ELECT CHIP 47UF	20% 25V
				C2654	1-164-156-11	CERAMIC CHIP 0.1UF	25V

REF.NO.	PART NO.	DESCRIPTION	REMARK	REF.NO.	PART NO.	DESCRIPTION	REMARK
C2655	1-164-156-11	CERAMIC CHIP 0.1UF	25V	C2801	1-164-156-11	CERAMIC CHIP 0.1UF	25V
C2656	1-164-156-11	CERAMIC CHIP 0.1UF	25V	C2802	1-128-992-21	ELECT CHIP 47UF	20% 25V
C2657	1-164-156-11	CERAMIC CHIP 0.1UF	25V	C2804	1-128-992-21	ELECT CHIP 47UF	20% 25V
C2658	1-128-992-21	ELECT CHIP 47UF	20% 25V	C2836	1-162-926-11	CERAMIC CHIP 82PF	5.00% 50V
C2659	1-164-156-11	CERAMIC CHIP 0.1UF	25V	C2837	1-162-926-11	CERAMIC CHIP 82PF	5.00% 50V
C2661	1-128-992-21	ELECT CHIP 47UF	20% 25V	C2838	1-162-926-11	CERAMIC CHIP 82PF	5.00% 50V
C2662	1-164-156-11	CERAMIC CHIP 0.1UF	25V	C2839	1-162-926-11	CERAMIC CHIP 82PF	5.00% 50V
C2663	1-164-156-11	CERAMIC CHIP 0.1UF	25V	C3011	1-117-681-11	ELECT CHIP 100UF	20.00% 16V
C2664	1-164-156-11	CERAMIC CHIP 0.1UF	25V	C3013	1-117-681-11	ELECT CHIP 100UF	20.00% 16V
C2665	1-164-156-11	CERAMIC CHIP 0.1UF	25V	C3017	1-117-681-11	ELECT CHIP 100UF	20.00% 16V
C2666	1-128-992-21	ELECT CHIP 47UF	20% 25V	C3018	1-126-204-11	ELECT CHIP 47UF	20.00% 16V
C2678	1-162-970-11	CERAMIC CHIP 0.01UF	10.00% 25V	C3019	1-164-156-11	CERAMIC CHIP 0.1UF	25V
C2679	1-162-970-11	CERAMIC CHIP 0.01UF	10.00% 25V	C3021	1-164-156-11	CERAMIC CHIP 0.1UF	25V
C2681	1-162-970-11	CERAMIC CHIP 0.01UF	10.00% 25V	C3025	1-164-156-11	CERAMIC CHIP 0.1UF	25V
C2682	1-162-970-11	CERAMIC CHIP 0.01UF	10.00% 25V	C3026	1-164-156-11	CERAMIC CHIP 0.1UF	25V
C2684	1-162-970-11	CERAMIC CHIP 0.01UF	10.00% 25V	C3027	1-164-156-11	CERAMIC CHIP 0.1UF	25V
C2685	1-162-970-11	CERAMIC CHIP 0.01UF	10.00% 25V	C3029	1-164-156-11	CERAMIC CHIP 0.1UF	25V
C2694	1-162-970-11	CERAMIC CHIP 0.01UF	10.00% 25V	C3033	1-164-156-11	CERAMIC CHIP 0.1UF	25V
C2697	1-162-970-11	CERAMIC CHIP 0.01UF	10.00% 25V	C3034	1-164-156-11	CERAMIC CHIP 0.1UF	25V
C2698	1-100-159-91	CERAMIC CHIP 22UF	10% 6.3V	C3035	1-117-681-11	ELECT CHIP 100UF	20.00% 16V
C2699	1-165-884-91	CERAMIC CHIP 2.2UF	10% 6.3V	C3037	1-117-681-11	ELECT CHIP 100UF	20.00% 16V
C2700	1-162-970-11	CERAMIC CHIP 0.01UF	10.00% 25V	C3056	1-117-681-11	ELECT CHIP 100UF	20.00% 16V
C2701	1-164-156-11	CERAMIC CHIP 0.1UF	25V	C3057	1-126-204-11	ELECT CHIP 47UF	20.00% 16V
C2702	1-117-370-11	CERAMIC CHIP 10UF	10V	C3061	1-162-927-11	CERAMIC CHIP 100PF	5.00% 50V
C2703	1-164-156-11	CERAMIC CHIP 0.1UF	25V	C3062	1-162-927-11	CERAMIC CHIP 100PF	5.00% 50V
C2705	1-164-156-11	CERAMIC CHIP 0.1UF	25V	C3101	1-164-156-11	CERAMIC CHIP 0.1UF	25V
C2706	1-164-505-11	CERAMIC CHIP 2.2UF	16V	C3102	1-115-156-11	CERAMIC CHIP 1UF	10V
C2707	1-164-156-11	CERAMIC CHIP 0.1UF	25V	C3103	1-164-156-11	CERAMIC CHIP 0.1UF	25V
C2709	1-117-370-11	CERAMIC CHIP 10UF	10V	C3104	1-124-779-00	ELECT CHIP 10UF	20.00% 16V
C2710	1-164-156-11	CERAMIC CHIP 0.1UF	25V	C3105	1-164-156-11	CERAMIC CHIP 0.1UF	25V
C2712	1-164-156-11	CERAMIC CHIP 0.1UF	25V	C3106	1-126-204-11	ELECT CHIP 47UF	20.00% 16V
C2713	1-164-156-11	CERAMIC CHIP 0.1UF	25V	C3201	1-100-597-91	CERAMIC CHIP 0.1UF	10% 25V
C2715	1-164-156-11	CERAMIC CHIP 0.1UF	25V	C3202	1-100-597-91	CERAMIC CHIP 0.1UF	10% 25V
C2716	1-126-396-11	ELECT CHIP 47UF	20.00% 16V	C3203	1-165-989-11	CERAMIC CHIP 10UF	10% 6.3V
C2717	1-164-156-11	CERAMIC CHIP 0.1UF	25V	C3204	1-100-597-91	CERAMIC CHIP 0.1UF	10% 25V
C2718	1-164-505-11	CERAMIC CHIP 2.2UF	16V	C3205	1-165-989-11	CERAMIC CHIP 10UF	10% 6.3V
C2719	1-164-505-11	CERAMIC CHIP 2.2UF	16V	C3206	1-100-597-91	CERAMIC CHIP 0.1UF	10% 25V
C2720	1-126-396-11	ELECT CHIP 47UF	20.00% 16V	C3207	1-100-597-91	CERAMIC CHIP 0.1UF	10% 25V
C2721	1-164-156-11	CERAMIC CHIP 0.1UF	25V	C3208	1-165-989-11	CERAMIC CHIP 10UF	10% 6.3V
C2722	1-164-156-11	CERAMIC CHIP 0.1UF	25V	C3209	1-100-597-91	CERAMIC CHIP 0.1UF	10% 25V
C2723	1-164-156-11	CERAMIC CHIP 0.1UF	25V	C3210	1-100-597-91	CERAMIC CHIP 0.1UF	10% 25V
C2724	1-164-156-11	CERAMIC CHIP 0.1UF	25V			< CONNECTOR >	
C2725	1-164-156-11	CERAMIC CHIP 0.1UF	25V	CN1306	* 1-691-591-11	PIN, CONNECTOR (1.5MM) (SMD) 8P	
C2726	1-162-970-11	CERAMIC CHIP 0.01UF	10.00% 25V	CN2551	* 1-818-761-11	FFC/FPC CONNECTOR (ZIF) 32P	
C2727	1-126-396-11	ELECT CHIP 47UF	20.00% 16V	CN2601	* 1-818-761-11	FFC/FPC CONNECTOR (ZIF) 32P	
C2728	1-162-970-11	CERAMIC CHIP 0.01UF	10.00% 25V	CN2651	* 1-818-761-11	FFC/FPC CONNECTOR (ZIF) 32P	
C2729	1-164-156-11	CERAMIC CHIP 0.1UF	25V	CN3002	* 1-760-388-11	CONNECTOR PIN (SMD) 9P	
C2730	1-162-970-11	CERAMIC CHIP 0.01UF	10.00% 25V	CN3004	* 1-695-223-21	PIN, CONNECTOR (SMD) 10P	
C2731	1-165-884-91	CERAMIC CHIP 2.2UF	10% 6.3V				
C2732	1-165-989-11	CERAMIC CHIP 10UF	10% 6.3V				



REF.NO.	PART NO.	DESCRIPTION	REMARK	REF.NO.	PART NO.	DESCRIPTION	REMARK
CN3200	* 1-819-817-11	CONNECTOR (RECEPTACLE)	14P	IC3200	6-701-870-01	IC THC63LVDF84B-T	
CN3201	1-694-981-21	EARTH TERMINAL (SMD)					
CN3202	1-694-981-21	EARTH TERMINAL (SMD)				< JUMPER RESISTOR >	
		< DIODE >		JR3000	1-216-864-11	SHORT CHIP	0
D1320	8-719-069-55	DIODE UDZSTE-175.6B		JR3001	1-216-864-11	SHORT CHIP	0
D1321	6-500-697-01	DIODE UDZSTE-173.3B		JR3002	1-216-864-11	SHORT CHIP	0
		< FERRITE BEAD >		JR3003	1-216-864-11	SHORT CHIP	0
FB2010	1-414-921-11	FERRITE	0UH	JR3004	1-216-864-11	SHORT CHIP	0
FB2012	1-414-921-11	FERRITE	0UH	JR3005	1-216-864-11	SHORT CHIP	0
FB2501	1-414-921-11	FERRITE	0UH	JR3006	1-216-864-11	SHORT CHIP	0
FB2502	1-414-921-11	FERRITE	0UH	JR3007	1-216-864-11	SHORT CHIP	0
FB2504	1-414-921-11	FERRITE	0UH	JR3008	1-216-864-11	SHORT CHIP	0
FB2505	1-414-921-11	FERRITE	0UH	JR3009	1-216-864-11	SHORT CHIP	0
FB2506	1-414-921-11	FERRITE	0UH	JR3010	1-216-864-11	SHORT CHIP	0
FB2601	1-414-921-11	FERRITE	0UH	JR3011	1-216-864-11	SHORT CHIP	0
FB2602	1-414-921-11	FERRITE	0UH	JR3012	1-216-864-11	SHORT CHIP	0
FB2603	1-414-921-11	FERRITE	0UH	JR3013	1-216-864-11	SHORT CHIP	0
FB2604	1-414-921-11	FERRITE	0UH	JR3014	1-216-864-11	SHORT CHIP	0
FB2651	1-414-921-11	FERRITE	0UH	JR3015	1-216-864-11	SHORT CHIP	0
FB2653	1-414-921-11	FERRITE	0UH			< COIL >	
FB2654	1-414-921-11	FERRITE	0UH	L1300	1-414-754-11	INDUCTOR	10UH
FB2701	1-414-921-11	FERRITE	0UH	L1310	1-414-754-11	INDUCTOR	10UH
FB2702	1-414-921-11	FERRITE	0UH	L2004	1-414-754-11	INDUCTOR	10UH
FB2704	1-414-921-11	FERRITE	0UH	L2501	1-414-754-11	INDUCTOR	10UH
FB3201	1-414-921-11	FERRITE	0UH	L2502	1-414-754-11	INDUCTOR	10UH
FB3202	1-414-921-11	FERRITE	0UH	L2504	1-414-754-11	INDUCTOR	10UH
FB3203	1-414-921-11	FERRITE	0UH	L2505	1-414-754-11	INDUCTOR	10UH
		< FILTER >		L2506	1-414-754-11	INDUCTOR	10UH
FL3001	1-233-830-11	FERRITE	37UH	L2601	1-414-754-11	INDUCTOR	10UH
FL3003	1-233-830-11	FERRITE	37UH	L2602	1-414-754-11	INDUCTOR	10UH
FL3007	1-233-830-11	FERRITE	37UH	L2603	1-414-754-11	INDUCTOR	10UH
FL3008	1-233-830-11	FERRITE	37UH	L2604	1-414-754-11	INDUCTOR	10UH
		< IC >		L2605	1-414-754-11	INDUCTOR	10UH
IC1300	8-759-369-73	IC NJM4556AM		L2606	1-469-549-21	INDUCTOR	1UH
IC1301	8-759-701-01	IC NJM2904M		L2607	1-469-549-21	INDUCTOR	1UH
IC1302	8-759-701-01	IC NJM2904M		L2651	1-414-754-11	INDUCTOR	10UH
IC2006	8-759-490-41	IC TC74VHCT541AFT(EL)		L2652	1-414-754-11	INDUCTOR	10UH
IC2007	8-759-490-41	IC TC74VHCT541AFT(EL)		L2701	1-414-754-11	INDUCTOR	10UH
IC2009	8-759-476-80	IC LM75CIMX-3		L2702	1-414-754-11	INDUCTOR	10UH
IC2501	8-752-106-13	IC CXA7001R-T6		L2704	1-414-754-11	INDUCTOR	10UH
IC2601	8-752-106-13	IC CXA7001R-T6		L3001	1-409-556-11	INDUCTOR	47UH
IC2614	6-706-960-01	IC CXD9809GF		L3004	1-409-556-11	INDUCTOR	47UH
IC2701	8-752-106-13	IC CXA7001R-T6		L3011	1-409-556-11	INDUCTOR	47UH
IC2801	8-759-388-31	IC PQ20VZ1UJ00H		L3012	1-409-556-11	INDUCTOR	47UH
IC3101	6-703-695-01	IC S-80827CNMC-B8MT2G		L3101	1-412-029-11	INDUCTOR	10UH
IC3102	6-700-319-01	IC M24128-BWMN6T		L3201	1-456-583-11	INDUCTOR	0UH
				L3202	1-456-583-11	INDUCTOR	0UH
				L3203	1-456-583-11	INDUCTOR	0UH



REF.NO.	PART NO.	DESCRIPTION	REMARK	REF.NO.	PART NO.	DESCRIPTION	REMARK
L3204	1-456-583-11	INDUCTOR	0UH	R1398	1-216-864-11	SHORT CHIP	0
L3205	1-456-583-11	INDUCTOR	0UH	R1399	1-216-864-11	SHORT CHIP	0
< TRANSISTOR >				R2059	1-216-864-11	SHORT CHIP	0
Q1300	8-729-010-29	TRANSISTOR MSD601-RST1		R2060	1-216-809-11	METAL CHIP	100 5% 1/10W
Q2502	8-729-013-28	TRANSISTOR HN1B01FU-TE85R		R2061	1-216-809-11	METAL CHIP	100 5% 1/10W
Q2504	8-729-013-28	TRANSISTOR HN1B01FU-TE85R		R2062	1-216-809-11	METAL CHIP	100 5% 1/10W
Q2602	8-729-013-28	TRANSISTOR HN1B01FU-TE85R		R2063	1-216-864-11	SHORT CHIP	0
Q2604	8-729-013-28	TRANSISTOR HN1B01FU-TE85R		R2064	1-216-797-11	METAL CHIP	10 5% 1/10W
Q2606	8-729-027-43	TRANSISTOR DTC114EKA-T146		R2065	1-216-797-11	METAL CHIP	10 5% 1/10W
Q2702	8-729-013-28	TRANSISTOR HN1B01FU-TE85R		R2066	1-216-797-11	METAL CHIP	10 5% 1/10W
Q2704	8-729-013-28	TRANSISTOR HN1B01FU-TE85R		R2067	1-216-797-11	METAL CHIP	10 5% 1/10W
Q3101	8-729-422-33	TRANSISTOR 2SD601A-Q-TX		R2073	1-216-805-11	METAL CHIP	47 5% 1/10W
Q3102	8-729-027-23	TRANSISTOR DTA114EKA-T146		R2074	1-216-805-11	METAL CHIP	47 5% 1/10W
< RESISTOR >				R2077	1-216-864-11	SHORT CHIP	0
R1300	1-216-809-11	METAL CHIP	100 5% 1/10W	R2078	1-216-864-11	SHORT CHIP	0
R1301	1-216-864-11	SHORT CHIP	0	R2079	1-216-864-11	SHORT CHIP	0
R1302	1-216-864-11	SHORT CHIP	0	R2094	1-216-797-11	METAL CHIP	10 5% 1/10W
R1303	1-216-864-11	SHORT CHIP	0	R2095	1-216-797-11	METAL CHIP	10 5% 1/10W
R1304	1-216-864-11	SHORT CHIP	0	R2501	1-216-833-11	METAL CHIP	10K 5% 1/10W
R1305	1-216-809-11	METAL CHIP	100 5% 1/10W	R2502	1-216-864-11	SHORT CHIP	0
R1334	1-216-864-11	SHORT CHIP	0	R2503	1-216-833-11	METAL CHIP	10K 5% 1/10W
R1336	1-216-797-11	METAL CHIP	10 5% 1/10W	R2504	1-216-813-11	METAL CHIP	220 5% 1/10W
R1337	1-216-821-11	METAL CHIP	1K 5% 1/10W	R2505	1-216-805-11	METAL CHIP	47 5% 1/10W
R1338	1-216-821-11	METAL CHIP	1K 5% 1/10W	R2506	1-216-805-11	METAL CHIP	47 5% 1/10W
R1339	1-218-845-11	METAL CHIP	820 0.5% 1/10W	R2507	1-216-864-11	SHORT CHIP	0
R1344	1-216-821-11	METAL CHIP	1K 5% 1/10W	R2508	1-216-864-11	SHORT CHIP	0
R1348	1-216-817-11	METAL CHIP	470 5% 1/10W	R2509	1-216-864-11	SHORT CHIP	0
R1350	1-216-821-11	METAL CHIP	1K 5% 1/10W	R2511	1-216-864-11	SHORT CHIP	0
R1352	1-216-837-11	METAL CHIP	22K 5% 1/10W	R2512	1-216-864-11	SHORT CHIP	0
R1353	1-216-821-11	METAL CHIP	1K 5% 1/10W	R2513	1-218-859-11	METAL CHIP	3.3K 0.5% 1/10W
R1354	1-216-864-11	SHORT CHIP	0	R2514	1-218-845-11	METAL CHIP	820 0.5% 1/10W
R1355	1-216-819-11	METAL CHIP	680 5% 1/10W	R2516	1-218-863-11	METAL CHIP	4.7K 0.5% 1/10W
R1356	1-216-830-11	METAL CHIP	5.6K 5% 1/10W	R2517	1-218-863-11	METAL CHIP	4.7K 0.5% 1/10W
R1358	1-218-871-11	METAL CHIP	10K 0.5% 1/10W	R2519	1-216-823-11	METAL CHIP	1.5K 5% 1/10W
R1359	1-218-871-11	METAL CHIP	10K 0.5% 1/10W	R2520	1-216-864-11	SHORT CHIP	0
R1361	1-216-845-11	METAL CHIP	100K 5% 1/10W	R2521	1-216-864-11	SHORT CHIP	0
R1363	1-216-841-11	METAL CHIP	47K 5% 1/10W	R2523	1-216-833-11	METAL CHIP	10K 5% 1/10W
R1365	1-218-897-11	METAL CHIP	120K 0.5% 1/10W	R2524	1-216-864-11	SHORT CHIP	0
R1366	1-218-879-11	METAL CHIP	22K 0.5% 1/10W	R2525	1-216-864-11	SHORT CHIP	0
R1367	1-218-895-11	METAL CHIP	100K 0.5% 1/10W	R2526	1-216-864-11	SHORT CHIP	0
R1368	1-218-871-11	METAL CHIP	10K 0.5% 1/10W	R2529	1-216-830-11	METAL CHIP	5.6K 5% 1/10W
R1369	1-218-871-11	METAL CHIP	10K 0.5% 1/10W	R2537	1-216-804-11	METAL CHIP	39 5% 1/10W
R1370	1-216-849-11	METAL CHIP	220K 5% 1/10W	R2538	1-216-804-11	METAL CHIP	39 5% 1/10W
R1371	1-216-833-11	METAL CHIP	10K 5% 1/10W	R2541	1-216-797-11	METAL CHIP	10 5% 1/10W
R1372	1-216-841-11	METAL CHIP	47K 5% 1/10W	R2543	1-216-825-11	METAL CHIP	2.2K 5% 1/10W
R1373	1-216-839-11	METAL CHIP	33K 5% 1/10W	R2545	1-216-825-11	METAL CHIP	2.2K 5% 1/10W
R1374	1-216-841-11	METAL CHIP	47K 5% 1/10W	R2548	1-216-789-11	METAL CHIP	2.2 5% 1/10W
R1387	1-216-841-11	METAL CHIP	47K 5% 1/10W	R2549	1-216-789-11	METAL CHIP	2.2 5% 1/10W
				R2553	1-216-797-11	METAL CHIP	10 5% 1/10W
				R2601	1-216-833-11	METAL CHIP	10K 5% 1/10W





REF.NO.	PART NO.	DESCRIPTION	REMARK	REF.NO.	PART NO.	DESCRIPTION	REMARK
R2602	1-216-864-11	SHORT CHIP	0	R2713	1-218-845-11	METAL CHIP	820 0.5% 1/10W
R2603	1-216-833-11	METAL CHIP	10K 5% 1/10W	R2715	1-218-863-11	METAL CHIP	4.7K 0.5% 1/10W
R2604	1-216-813-11	METAL CHIP	220 5% 1/10W	R2716	1-218-863-11	METAL CHIP	4.7K 0.5% 1/10W
R2605	1-216-864-11	SHORT CHIP	0	R2717	1-216-823-11	METAL CHIP	1.5K 5% 1/10W
R2606	1-216-805-11	METAL CHIP	47 5% 1/10W	R2718	1-216-864-11	SHORT CHIP	0
R2607	1-216-805-11	METAL CHIP	47 5% 1/10W	R2719	1-216-864-11	SHORT CHIP	0
R2608	1-216-864-11	SHORT CHIP	0	R2722	1-216-833-11	METAL CHIP	10K 5% 1/10W
R2610	1-216-864-11	SHORT CHIP	0	R2723	1-216-864-11	SHORT CHIP	0
R2612	1-216-864-11	SHORT CHIP	0	R2724	1-216-864-11	SHORT CHIP	0
R2613	1-216-864-11	SHORT CHIP	0	R2725	1-216-864-11	SHORT CHIP	0
R2614	1-218-859-11	METAL CHIP	3.3K 0.5% 1/10W	R2728	1-216-804-11	METAL CHIP	39 5% 1/10W
R2615	1-218-845-11	METAL CHIP	820 0.5% 1/10W	R2729	1-216-804-11	METAL CHIP	39 5% 1/10W
R2617	1-218-863-11	METAL CHIP	4.7K 0.5% 1/10W	R2730	1-216-833-11	METAL CHIP	10K 5% 1/10W
R2618	1-218-863-11	METAL CHIP	4.7K 0.5% 1/10W	R2731	1-216-801-11	METAL CHIP	22 5% 1/10W
R2619	1-216-823-11	METAL CHIP	1.5K 5% 1/10W	R2732	1-216-805-11	METAL CHIP	47 5% 1/10W
R2620	1-216-864-11	SHORT CHIP	0	R2733	1-216-830-11	METAL CHIP	5.6K 5% 1/10W
R2621	1-216-864-11	SHORT CHIP	0	R2734	1-216-805-11	METAL CHIP	47 5% 1/10W
R2624	1-216-833-11	METAL CHIP	10K 5% 1/10W	R2735	1-216-805-11	METAL CHIP	47 5% 1/10W
R2625	1-216-864-11	SHORT CHIP	0	R2736	1-216-805-11	METAL CHIP	47 5% 1/10W
R2626	1-216-864-11	SHORT CHIP	0	R2737	1-216-805-11	METAL CHIP	47 5% 1/10W
R2627	1-216-864-11	SHORT CHIP	0	R2738	1-216-864-11	SHORT CHIP	0
R2630	1-216-864-11	SHORT CHIP	0	R2739	1-216-805-11	METAL CHIP	47 5% 1/10W
R2631	1-216-864-11	SHORT CHIP	0	R2740	1-216-797-11	METAL CHIP	10 5% 1/10W
R2632	1-216-864-11	SHORT CHIP	0	R2741	1-216-864-11	SHORT CHIP	0
R2633	1-216-804-11	METAL CHIP	39 5% 1/10W	R2742	1-216-825-11	METAL CHIP	2.2K 5% 1/10W
R2634	1-216-804-11	METAL CHIP	39 5% 1/10W	R2743	1-216-805-11	METAL CHIP	47 5% 1/10W
R2635	1-216-830-11	METAL CHIP	5.6K 5% 1/10W	R2744	1-216-825-11	METAL CHIP	2.2K 5% 1/10W
R2636	1-218-871-11	METAL CHIP	10K 0.5% 1/10W	R2745	1-216-809-11	METAL CHIP	100 5% 1/10W
R2638	1-218-863-11	METAL CHIP	4.7K 0.5% 1/10W	R2746	1-216-809-11	METAL CHIP	100 5% 1/10W
R2642	1-216-797-11	METAL CHIP	10 5% 1/10W	R2747	1-216-789-11	METAL CHIP	2.2 5% 1/10W
R2644	1-216-825-11	METAL CHIP	2.2K 5% 1/10W	R2748	1-216-789-11	METAL CHIP	2.2 5% 1/10W
R2646	1-216-825-11	METAL CHIP	2.2K 5% 1/10W	R2749	1-216-809-11	METAL CHIP	100 5% 1/10W
R2649	1-216-789-11	METAL CHIP	2.2 5% 1/10W	R2750	1-216-797-11	METAL CHIP	10 5% 1/10W
R2650	1-216-789-11	METAL CHIP	2.2 5% 1/10W	R2751	1-216-813-11	METAL CHIP	220 5% 1/10W
R2656	1-216-797-11	METAL CHIP	10 5% 1/10W	R2752	1-216-809-11	METAL CHIP	100 5% 1/10W
R2665	1-216-864-11	SHORT CHIP	0	R2753	1-216-809-11	METAL CHIP	100 5% 1/10W
R2668	1-216-864-11	SHORT CHIP	0	R2754	1-216-864-11	SHORT CHIP	0
R2674	1-216-864-11	SHORT CHIP	0	R2801	1-218-871-11	METAL CHIP	10K 0.5% 1/10W
R2677	1-216-833-11	METAL CHIP	10K 5% 1/10W	R2802	1-218-847-11	METAL CHIP	1K 0.5% 1/10W
R2701	1-216-833-11	METAL CHIP	10K 5% 1/10W	R2803	1-216-864-11	SHORT CHIP	0
R2702	1-216-864-11	SHORT CHIP	0	R3017	1-216-864-11	SHORT CHIP	0
R2703	1-216-833-11	METAL CHIP	10K 5% 1/10W	R3019	1-216-864-11	SHORT CHIP	0
R2704	1-216-805-11	METAL CHIP	47 5% 1/10W	R3026	1-216-864-11	SHORT CHIP	0
R2705	1-216-805-11	METAL CHIP	47 5% 1/10W	R3027	1-216-864-11	SHORT CHIP	0
R2706	1-216-864-11	SHORT CHIP	0	R3101	1-216-841-11	METAL CHIP	47K 5% 1/10W
R2707	1-216-864-11	SHORT CHIP	0	R3102	1-216-819-11	METAL CHIP	680 5% 1/10W
R2708	1-216-864-11	SHORT CHIP	0	R3104	1-216-833-11	METAL CHIP	10K 5% 1/10W
R2710	1-216-864-11	SHORT CHIP	0	R3106	1-216-833-11	METAL CHIP	10K 5% 1/10W
R2711	1-216-864-11	SHORT CHIP	0	R3107	1-216-805-11	METAL CHIP	47 5% 1/10W
R2712	1-218-859-11	METAL CHIP	3.3K 0.5% 1/10W	R3109	1-216-833-11	METAL CHIP	10K 5% 1/10W

REF.NO.	PART NO.	DESCRIPTION	REMARK
R3110	1-216-833-11	METAL CHIP 10K 5%	1/10W
R3111	1-216-805-11	METAL CHIP 47 5%	1/10W
R3113	1-216-833-11	METAL CHIP 10K 5%	1/10W
R3176	1-216-829-11	METAL CHIP 4.7K 5%	1/10W
R3200	1-218-668-11	METAL CHIP 100 0.5%	1/10W
R3201	1-218-668-11	METAL CHIP 100 0.5%	1/10W
R3202	1-218-668-11	METAL CHIP 100 0.5%	1/10W
R3203	1-216-801-11	METAL CHIP 22 5%	1/10W
R3204	1-218-668-11	METAL CHIP 100 0.5%	1/10W
R3205	1-218-668-11	METAL CHIP 100 0.5%	1/10W
R3206	1-216-801-11	METAL CHIP 22 5%	1/10W
R3207	1-216-845-11	METAL CHIP 100K 5%	1/10W
R3208	1-216-805-11	METAL CHIP 47 5%	1/10W
< RESISTOR CHIP >			
RB2013	1-233-796-11	RES, NETWORK	(1608)
RB2501	1-233-574-11	RES, CHIP NETWORK 10	(3216)
RB2502	1-233-574-11	RES, CHIP NETWORK 10	(3216)
RB2503	1-233-574-11	RES, CHIP NETWORK 10	(3216)
RB2553	1-233-782-91	RES, NETWORK 10	(1608)
RB2601	1-233-782-91	RES, NETWORK 10	(1608)
RB2602	1-233-574-11	RES, CHIP NETWORK 10	(3216)
RB2603	1-233-574-11	RES, CHIP NETWORK 10	(3216)
RB2604	1-233-574-11	RES, CHIP NETWORK 10	(3216)
RB2629	1-233-785-91	RES, NETWORK 100	(1608)
RB2630	1-233-785-91	RES, NETWORK 100	(1608)
RB2631	1-233-785-91	RES, NETWORK 100	(1608)
RB2633	1-234-372-21	RES, NETWORK 100	(1005X4)
RB2634	1-234-372-21	RES, NETWORK 100	(1005X4)
RB2635	1-233-785-91	RES, NETWORK 100	(1608)
RB2636	1-234-372-21	RES, NETWORK 100	(1005X4)
RB2637	1-234-372-21	RES, NETWORK 100	(1005X4)
RB2640	1-233-785-91	RES, NETWORK 100	(1608)
RB2641	1-234-372-21	RES, NETWORK 100	(1005X4)
RB2642	1-234-372-21	RES, NETWORK 100	(1005X4)
RB2653	1-233-782-91	RES, NETWORK 10	(1608)
RB2701	1-233-574-11	RES, CHIP NETWORK 10	(3216)
RB2702	1-233-574-11	RES, CHIP NETWORK 10	(3216)
RB2703	1-233-574-11	RES, CHIP NETWORK 10	(3216)
RB3102	1-233-784-91	RES, NETWORK 47	(1608)
RB3104	1-233-789-11	RES, NETWORK 10K	(1608)
RB3201	1-233-575-11	RES, CHIP NETWORK 22	(3216)
RB3202	1-233-575-11	RES, CHIP NETWORK 22	(3216)
RB3203	1-233-575-11	RES, CHIP NETWORK 22	(3216)
RB3204	1-233-575-11	RES, CHIP NETWORK 22	(3216)
RB3205	1-233-575-11	RES, CHIP NETWORK 22	(3216)
RB3206	1-233-796-11	RES, NETWORK	(1608)
RB3207	1-233-796-11	RES, NETWORK	(1608)
RB3208	1-233-796-11	RES, NETWORK	(1608)
RB3209	1-233-575-11	RES, CHIP NETWORK 22	(3216)

REF.NO.	PART NO.	DESCRIPTION	REMARK
* A-1127-037-A T2 BOARD COMPLETE			
< CONNECTOR >			
CN4340	* 1-564-518-11	PLUG, CONNECTOR 3P	
< SWITCH >			
S4340	1-786-591-11	SWITCH, MICRO	
* A-1107-972-A H3 BOARD COMPLETE			
A9001	* 4-042-408-02	PIN(45), WIRE	
< CAPACITOR >			
C3856	1-162-964-11	CERAMIC CHIP 0.001UF	10.00% 50V
C3857	1-162-964-11	CERAMIC CHIP 0.001UF	10.00% 50V
C4300	1-107-826-11	CERAMIC CHIP 0.1UF	10.00% 16V
C4301	1-162-964-11	CERAMIC CHIP 0.001UF	10.00% 50V
C4303	1-162-964-11	CERAMIC CHIP 0.001UF	10.00% 50V
C4305	1-162-968-11	CERAMIC CHIP 0.0047UF	10.00% 50V
C4307	1-162-968-11	CERAMIC CHIP 0.0047UF	10.00% 50V
C4309	1-162-927-11	CERAMIC CHIP 100PF	5.00% 50V
< CONNECTOR >			
CN4300	1-784-828-11	CONNECTOR, D SUB	
CN4301	1-564-509-11	PLUG, CONNECTOR 6P	
CN4302	1-764-334-11	PIN, CONNECTOR(PCB) (V TYPE) 11P	
CN4303	* 1-816-979-51	PLUG, CONNECTOR 8P	
CN4304	1-565-666-12	TERMINAL, S 4P	
CN4305	* 1-564-507-11	PLUG, CONNECTOR 4P	
< DIODE >			
D4300	8-719-069-55	DIODE UDZSTE-175.6B	
D4301	8-719-016-73	DIODE STZ6.8T	
D4302	8-719-016-73	DIODE STZ6.8T	
D4303	8-719-016-73	DIODE STZ6.8T	
D4304	8-719-016-73	DIODE STZ6.8T	
D4305	8-719-016-73	DIODE STZ6.8T	
D4306	8-719-016-73	DIODE STZ6.8T	
D4307	8-719-069-55	DIODE UDZSTE-175.6B	
D4308	8-719-069-55	DIODE UDZSTE-175.6B	
D4309	8-719-069-55	DIODE UDZSTE-175.6B	
D4310	8-719-069-55	DIODE UDZSTE-175.6B	
D4311	8-719-069-55	DIODE UDZSTE-175.6B	
D4312	8-719-069-55	DIODE UDZSTE-175.6B	
D4313	8-719-069-55	DIODE UDZSTE-175.6B	
< FERRITE BEAD >			
FB4300	1-414-813-11	FERRITE	0UH

REF.NO.	PART NO.	DESCRIPTION	REMARK	REF.NO.	PART NO.	DESCRIPTION	REMARK
< FILTER >				< VARISTOR >			
FL4300	1-239-897-22	FERRITE	0UH	VDR4300	1-803-974-21	VARISTOR, CHIP	(1608)
FL4301	1-239-897-22	FERRITE	0UH	VDR4301	1-803-974-21	VARISTOR, CHIP	(1608)
FL4302	1-239-897-22	FERRITE	0UH	* A-1129-435-A JB WAX COMPLETE DIG			
< IC >				* 2-109-150-01	SHEET, RADIATION		
IC4300	8-759-661-55	IC ST24FC21M6TR		4-087-203-01	PLASTIC RIVET		
< SOCKET >				< CAPACITOR >			
J4300	1-580-443-11	JACK, PIN 3P		C1000	1-164-156-11	CERAMIC CHIP 0.1UF	25V
J4301	1-566-822-21	JACK		C1001	1-164-156-11	CERAMIC CHIP 0.1UF	25V
J4302	1-568-267-11	JACK		C1002	1-164-156-11	CERAMIC CHIP 0.1UF	25V
< COIL >				C1003	1-164-156-11	CERAMIC CHIP 0.1UF	25V
L4301	1-414-189-31	INDUCTOR	100UH	C1004	1-124-779-00	ELECT CHIP 10UF	20.00% 16V
L4302	1-414-189-31	INDUCTOR	100UH	C1005	1-124-779-00	ELECT CHIP 10UF	20.00% 16V
L4303	1-410-985-42	INDUCTOR	0.22UH	C1006	1-125-777-11	CERAMIC CHIP 0.1UF	10.00% 10V
< TRANSISTOR >				C1007	1-124-779-00	ELECT CHIP 10UF	20.00% 16V
Q4300	8-729-010-05	TRANSISTOR MSB709-RT1		C1008	1-125-777-11	CERAMIC CHIP 0.1UF	10.00% 10V
< RESISTOR >				C1009	1-125-777-11	CERAMIC CHIP 0.1UF	10.00% 10V
R3881	1-216-853-11	METAL CHIP	470K 5% 1/10W	C1010	1-125-777-11	CERAMIC CHIP 0.1UF	10.00% 10V
R3883	1-216-853-11	METAL CHIP	470K 5% 1/10W	C1011	1-125-777-11	CERAMIC CHIP 0.1UF	10.00% 10V
R3889	1-216-864-11	SHORT CHIP	0	C1012	1-125-777-11	CERAMIC CHIP 0.1UF	10.00% 10V
R3890	1-216-864-11	SHORT CHIP	0	C1014	1-125-777-11	CERAMIC CHIP 0.1UF	10.00% 10V
R3891	1-216-864-11	SHORT CHIP	0	C1015	1-125-777-11	CERAMIC CHIP 0.1UF	10.00% 10V
R3892	1-216-864-11	SHORT CHIP	0	C1016	1-164-874-11	CERAMIC CHIP 100PF	5.00% 50V
R3893	1-216-864-11	SHORT CHIP	0	C1017	1-125-777-11	CERAMIC CHIP 0.1UF	10.00% 10V
R4300	1-216-835-11	METAL CHIP	15K 5% 1/10W	C1018	1-164-874-11	CERAMIC CHIP 100PF	5.00% 50V
R4301	1-216-805-11	METAL CHIP	47 5% 1/10W	C1019	1-162-921-11	CERAMIC CHIP 33PF	5.00% 50V
R4302	1-216-835-11	METAL CHIP	15K 5% 1/10W	C1020	1-125-777-11	CERAMIC CHIP 0.1UF	10.00% 10V
R4303	1-216-805-11	METAL CHIP	47 5% 1/10W	C1021	1-162-921-11	CERAMIC CHIP 33PF	5.00% 50V
R4304	1-216-813-11	METAL CHIP	220 5% 1/10W	C1022	1-164-874-11	CERAMIC CHIP 100PF	5.00% 50V
R4305	1-216-805-11	METAL CHIP	47 5% 1/10W	C1023	1-125-777-11	CERAMIC CHIP 0.1UF	10.00% 10V
R4307	1-216-849-11	METAL CHIP	220K 5% 1/10W	C1024	1-164-874-11	CERAMIC CHIP 100PF	5.00% 50V
R4308	1-216-849-11	METAL CHIP	220K 5% 1/10W	C1028	1-126-396-11	ELECT CHIP 47UF	20.00% 16V
R4312	1-216-864-11	SHORT CHIP	0	C1029	1-126-396-11	ELECT CHIP 47UF	20.00% 16V
R4313	1-216-864-11	SHORT CHIP	0	C1032	1-125-777-11	CERAMIC CHIP 0.1UF	10.00% 10V
R4314	1-216-805-11	METAL CHIP	47 5% 1/10W	C1037	1-127-715-91	CERAMIC CHIP 0.22UF	10% 16V
R4315	1-216-805-11	METAL CHIP	47 5% 1/10W	C1050	1-162-927-11	CERAMIC CHIP 100PF	5.00% 50V
R4316	1-216-864-11	SHORT CHIP	0	C2500	1-126-396-11	ELECT CHIP 47UF	20.00% 16V
R4317	1-216-821-11	METAL CHIP	1K 5% 1/10W	C2501	1-107-826-11	CERAMIC CHIP 0.1UF	10.00% 16V
R4318	1-216-845-11	METAL CHIP	100K 5% 1/10W	C2502	1-107-826-11	CERAMIC CHIP 0.1UF	10.00% 16V
R4321	1-216-864-11	SHORT CHIP	0	C2504	1-107-826-11	CERAMIC CHIP 0.1UF	10.00% 16V
R4322	1-216-864-11	SHORT CHIP	0	C2505	1-126-396-11	ELECT CHIP 47UF	20.00% 16V
R4323	1-216-864-11	SHORT CHIP	0	C2506	1-125-891-11	CERAMIC CHIP 0.47UF	10.00% 10V
				C2507	1-162-970-11	CERAMIC CHIP 0.01UF	10.00% 25V
				C2508	1-162-970-11	CERAMIC CHIP 0.01UF	10.00% 25V
				C2509	1-125-889-91	CERAMIC CHIP 2.2UF	10% 10V
				C2510	1-164-227-11	CERAMIC CHIP 0.022UF	10.00% 25V
				C2511	1-162-970-11	CERAMIC CHIP 0.01UF	10.00% 25V



REF.NO.	PART NO.	DESCRIPTION	REMARK	REF.NO.	PART NO.	DESCRIPTION	REMARK
C2516	1-162-970-11	CERAMIC CHIP 0.01UF	10.00% 25V	C5021	1-100-566-91	CERAMIC CHIP 0.1UF	10.00% 25V
C2517	1-127-715-91	CERAMIC CHIP 0.22UF	10% 16V	C5022	1-100-566-91	CERAMIC CHIP 0.1UF	10.00% 25V
C2518	1-162-915-11	CERAMIC CHIP 10PF	0.50PF 50V	C5024	1-100-566-91	CERAMIC CHIP 0.1UF	10.00% 25V
C2519	1-126-394-11	ELECT CHIP 10UF	20.00% 16V	C5026	1-100-566-91	CERAMIC CHIP 0.1UF	10.00% 25V
C2520	1-107-826-11	CERAMIC CHIP 0.1UF	10.00% 16V	C5027	1-100-566-91	CERAMIC CHIP 0.1UF	10.00% 25V
C2521	1-162-970-11	CERAMIC CHIP 0.01UF	10.00% 25V	C5028	1-100-566-91	CERAMIC CHIP 0.1UF	10.00% 25V
C2522	1-126-396-11	ELECT CHIP 47UF	20.00% 16V	C5029	1-126-394-11	ELECT CHIP 10UF	20.00% 16V
C2523	1-107-826-11	CERAMIC CHIP 0.1UF	10.00% 16V	C5030	1-124-779-00	ELECT CHIP 10UF	20.00% 16V
C2524	1-126-396-11	ELECT CHIP 47UF	20.00% 16V	C5031	1-100-566-91	CERAMIC CHIP 0.1UF	10.00% 25V
C2526	1-107-826-11	CERAMIC CHIP 0.1UF	10.00% 16V	C5032	1-100-566-91	CERAMIC CHIP 0.1UF	10.00% 25V
C2527	1-107-826-11	CERAMIC CHIP 0.1UF	10.00% 16V	C5033	1-100-566-91	CERAMIC CHIP 0.1UF	10.00% 25V
C2528	1-107-826-11	CERAMIC CHIP 0.1UF	10.00% 16V	C5034	1-100-566-91	CERAMIC CHIP 0.1UF	10.00% 25V
C2529	1-127-760-11	CERAMIC CHIP 4.7UF	10% 6.3V	C5035	1-100-566-91	CERAMIC CHIP 0.1UF	10.00% 25V
C2530	1-162-970-11	CERAMIC CHIP 0.01UF	10.00% 25V	C5036	1-100-566-91	CERAMIC CHIP 0.1UF	10.00% 25V
C2531	1-126-396-11	ELECT CHIP 47UF	20.00% 16V	C5037	1-100-566-91	CERAMIC CHIP 0.1UF	10.00% 25V
C2532	1-126-396-11	ELECT CHIP 47UF	20.00% 16V	C5038	1-162-918-11	CERAMIC CHIP 18PF	5.00% 50V
C2533	1-162-970-11	CERAMIC CHIP 0.01UF	10.00% 25V	C5039	1-124-779-00	ELECT CHIP 10UF	20.00% 16V
C2534	1-107-826-11	CERAMIC CHIP 0.1UF	10.00% 16V	C5040	1-124-779-00	ELECT CHIP 10UF	20.00% 16V
C2535	1-126-396-11	ELECT CHIP 47UF	20.00% 16V	C5041	1-100-566-91	CERAMIC CHIP 0.1UF	10.00% 25V
C2536	1-107-826-11	CERAMIC CHIP 0.1UF	10.00% 16V	C5042	1-162-966-11	CERAMIC CHIP 0.0022UF	10.00% 50V
C2537	1-126-396-11	ELECT CHIP 47UF	20.00% 16V	C5043	1-100-566-91	CERAMIC CHIP 0.1UF	10.00% 25V
C2543	1-107-826-11	CERAMIC CHIP 0.1UF	10.00% 16V	C5044	1-162-917-11	CERAMIC CHIP 15PF	5.00% 50V
C2550	1-125-891-11	CERAMIC CHIP 0.47UF	10.00% 10V	C5045	1-162-966-11	CERAMIC CHIP 0.0022UF	10.00% 50V
C2551	1-125-891-11	CERAMIC CHIP 0.47UF	10.00% 10V	C5046	1-100-566-91	CERAMIC CHIP 0.1UF	10.00% 25V
C2552	1-125-891-11	CERAMIC CHIP 0.47UF	10.00% 10V	C5047	1-100-566-91	CERAMIC CHIP 0.1UF	10.00% 25V
C2553	1-125-891-11	CERAMIC CHIP 0.47UF	10.00% 10V	C5048	1-100-566-91	CERAMIC CHIP 0.1UF	10.00% 25V
C2554	1-125-891-11	CERAMIC CHIP 0.47UF	10.00% 10V	C5049	1-100-566-91	CERAMIC CHIP 0.1UF	10.00% 25V
C2555	1-125-891-11	CERAMIC CHIP 0.47UF	10.00% 10V	C5050	1-124-779-00	ELECT CHIP 10UF	20.00% 16V
C2558	1-126-396-11	ELECT CHIP 47UF	20.00% 16V	C5051	1-100-566-91	CERAMIC CHIP 0.1UF	10.00% 25V
C2559	1-125-891-11	CERAMIC CHIP 0.47UF	10.00% 10V	C5052	1-100-566-91	CERAMIC CHIP 0.1UF	10.00% 25V
C2560	1-125-891-11	CERAMIC CHIP 0.47UF	10.00% 10V	C5058	1-100-566-91	CERAMIC CHIP 0.1UF	10.00% 25V
C2591	1-126-394-11	ELECT CHIP 10UF	20.00% 16V	C5059	1-100-566-91	CERAMIC CHIP 0.1UF	10.00% 25V
C2603	1-162-970-11	CERAMIC CHIP 0.01UF	10.00% 25V	C5060	1-100-566-91	CERAMIC CHIP 0.1UF	10.00% 25V
C5000	1-100-566-91	CERAMIC CHIP 0.1UF	10.00% 25V	C5061	1-100-566-91	CERAMIC CHIP 0.1UF	10.00% 25V
C5001	1-126-394-11	ELECT CHIP 10UF	20.00% 16V	C5062	1-100-566-91	CERAMIC CHIP 0.1UF	10.00% 25V
C5003	1-124-779-00	ELECT CHIP 10UF	20.00% 16V	C5063	1-100-566-91	CERAMIC CHIP 0.1UF	10.00% 25V
C5004	1-124-779-00	ELECT CHIP 10UF	20.00% 16V	C5064	1-100-566-91	CERAMIC CHIP 0.1UF	10.00% 25V
C5005	1-126-394-11	ELECT CHIP 10UF	20.00% 16V	C5065	1-100-566-91	CERAMIC CHIP 0.1UF	10.00% 25V
C5006	1-100-566-91	CERAMIC CHIP 0.1UF	10.00% 25V	C5066	1-100-566-91	CERAMIC CHIP 0.1UF	10.00% 25V
C5007	1-100-566-91	CERAMIC CHIP 0.1UF	10.00% 25V	C5067	1-100-566-91	CERAMIC CHIP 0.1UF	10.00% 25V
C5009	1-100-566-91	CERAMIC CHIP 0.1UF	10.00% 25V	C5068	1-100-566-91	CERAMIC CHIP 0.1UF	10.00% 25V
C5010	1-100-566-91	CERAMIC CHIP 0.1UF	10.00% 25V	C5069	1-124-779-00	ELECT CHIP 10UF	20.00% 16V
C5012	1-100-566-91	CERAMIC CHIP 0.1UF	10.00% 25V	C5070	1-162-964-11	CERAMIC CHIP 0.001UF	10.00% 50V
C5013	1-100-566-91	CERAMIC CHIP 0.1UF	10.00% 25V	C5071	1-162-964-11	CERAMIC CHIP 0.001UF	10.00% 50V
C5014	1-100-566-91	CERAMIC CHIP 0.1UF	10.00% 25V	C5072	1-162-964-11	CERAMIC CHIP 0.001UF	10.00% 50V
C5015	1-100-566-91	CERAMIC CHIP 0.1UF	10.00% 25V	C5073	1-162-964-11	CERAMIC CHIP 0.001UF	10.00% 50V
C5017	1-100-566-91	CERAMIC CHIP 0.1UF	10.00% 25V	C5074	1-162-964-11	CERAMIC CHIP 0.001UF	10.00% 50V
C5018	1-100-566-91	CERAMIC CHIP 0.1UF	10.00% 25V	C5075	1-162-964-11	CERAMIC CHIP 0.001UF	10.00% 50V
C5019	1-100-566-91	CERAMIC CHIP 0.1UF	10.00% 25V	C5076	1-162-964-11	CERAMIC CHIP 0.001UF	10.00% 50V
C5020	1-100-566-91	CERAMIC CHIP 0.1UF	10.00% 25V	C5077	1-162-964-11	CERAMIC CHIP 0.001UF	10.00% 50V



REF.NO.	PART NO.	DESCRIPTION	REMARK	REF.NO.	PART NO.	DESCRIPTION	REMARK
C5078	1-162-964-11	CERAMIC CHIP 0.001UF	10.00% 50V	C5513	1-162-970-11	CERAMIC CHIP 0.01UF	10.00% 25V
C5079	1-162-962-11	CERAMIC CHIP 470PF	10.00% 50V	C5514	1-162-968-11	CERAMIC CHIP 0.0047UF	10.00% 50V
C5080	1-162-962-11	CERAMIC CHIP 470PF	10.00% 50V	C5515	1-162-968-11	CERAMIC CHIP 0.0047UF	10.00% 50V
C5081	1-100-566-91	CERAMIC CHIP 0.1UF	10.00% 25V	C5516	1-100-566-91	CERAMIC CHIP 0.1UF	10.00% 25V
C5082	1-100-566-91	CERAMIC CHIP 0.1UF	10.00% 25V	C5700	1-164-004-11	CERAMIC CHIP 0.1UF	10.00% 25V
C5083	1-100-566-91	CERAMIC CHIP 0.1UF	10.00% 25V	C5701	1-128-536-11	ELECT CHIP 100UF	20.00% 25V
C5084	1-100-566-91	CERAMIC CHIP 0.1UF	10.00% 25V	C5702	1-128-536-11	ELECT CHIP 100UF	20.00% 25V
C5085	1-100-566-91	CERAMIC CHIP 0.1UF	10.00% 25V	C5703	1-100-911-11	CERAMIC CHIP 4.7UF	10% 25V
C5086	1-100-566-91	CERAMIC CHIP 0.1UF	10.00% 25V	C5704	1-100-911-11	CERAMIC CHIP 4.7UF	10% 25V
C5087	1-100-566-91	CERAMIC CHIP 0.1UF	10.00% 25V	C5705	1-162-970-11	CERAMIC CHIP 0.01UF	10.00% 25V
C5088	1-100-566-91	CERAMIC CHIP 0.1UF	10.00% 25V	C5706	1-162-970-11	CERAMIC CHIP 0.01UF	10.00% 25V
C5089	1-100-566-91	CERAMIC CHIP 0.1UF	10.00% 25V	C5707	1-165-671-21	ELECT CHIP 470UF	20% 6.3V
C5090	1-100-566-91	CERAMIC CHIP 0.1UF	10.00% 25V	C5709	1-165-671-21	ELECT CHIP 470UF	20% 6.3V
C5091	1-100-566-91	CERAMIC CHIP 0.1UF	10.00% 25V	C5720	1-164-156-11	CERAMIC CHIP 0.1UF	25V
C5092	1-100-566-91	CERAMIC CHIP 0.1UF	10.00% 25V	C5721	1-126-392-11	ELECT CHIP 100UF	20.00% 6.3V
C5093	1-100-566-91	CERAMIC CHIP 0.1UF	10.00% 25V	C5722	1-164-156-11	CERAMIC CHIP 0.1UF	25V
C5094	1-100-566-91	CERAMIC CHIP 0.1UF	10.00% 25V	C5723	1-126-392-11	ELECT CHIP 100UF	20.00% 6.3V
C5095	1-100-566-91	CERAMIC CHIP 0.1UF	10.00% 25V	C5724	1-164-156-11	CERAMIC CHIP 0.1UF	25V
C5096	1-100-566-91	CERAMIC CHIP 0.1UF	10.00% 25V	C5725	1-126-392-11	ELECT CHIP 100UF	20.00% 6.3V
C5097	1-100-566-91	CERAMIC CHIP 0.1UF	10.00% 25V	C5726	1-164-156-11	CERAMIC CHIP 0.1UF	25V
C5100	1-162-964-11	CERAMIC CHIP 0.001UF	10.00% 50V	C5727	1-126-392-11	ELECT CHIP 100UF	20.00% 6.3V
C5101	1-162-964-11	CERAMIC CHIP 0.001UF	10.00% 50V	C5728	1-164-156-11	CERAMIC CHIP 0.1UF	25V
C5102	1-162-964-11	CERAMIC CHIP 0.001UF	10.00% 50V	C5729	1-126-392-11	ELECT CHIP 100UF	20.00% 6.3V
C5103	1-162-964-11	CERAMIC CHIP 0.001UF	10.00% 50V	C5730	1-164-156-11	CERAMIC CHIP 0.1UF	25V
C5104	1-162-964-11	CERAMIC CHIP 0.001UF	10.00% 50V	C5731	1-126-392-11	ELECT CHIP 100UF	20.00% 6.3V
C5105	1-162-964-11	CERAMIC CHIP 0.001UF	10.00% 50V	C5740	1-164-156-11	CERAMIC CHIP 0.1UF	25V
C5106	1-162-964-11	CERAMIC CHIP 0.001UF	10.00% 50V	C5741	1-128-536-11	ELECT CHIP 100UF	20.00% 25V
C5107	1-162-964-11	CERAMIC CHIP 0.001UF	10.00% 50V	C5742	1-164-156-11	CERAMIC CHIP 0.1UF	25V
C5108	1-162-964-11	CERAMIC CHIP 0.001UF	10.00% 50V	C5743	1-128-536-11	ELECT CHIP 100UF	20.00% 25V
C5109	1-162-964-11	CERAMIC CHIP 0.001UF	10.00% 50V	C6370	1-126-396-11	ELECT CHIP 47UF	20.00% 16V
C5110	1-162-964-11	CERAMIC CHIP 0.001UF	10.00% 50V	C6371	1-126-396-11	ELECT CHIP 47UF	20.00% 16V
C5111	1-162-964-11	CERAMIC CHIP 0.001UF	10.00% 50V	C6372	1-117-681-11	ELECT CHIP 100UF	20.00% 16V
C5112	1-162-964-11	CERAMIC CHIP 0.001UF	10.00% 50V	C6373	1-126-396-11	ELECT CHIP 47UF	20.00% 16V
C5113	1-162-964-11	CERAMIC CHIP 0.001UF	10.00% 50V	C6374	1-126-396-11	ELECT CHIP 47UF	20.00% 16V
C5114	1-162-964-11	CERAMIC CHIP 0.001UF	10.00% 50V	C6375	1-107-826-11	CERAMIC CHIP 0.1UF	10.00% 16V
C5115	1-162-964-11	CERAMIC CHIP 0.001UF	10.00% 50V	C6376	1-107-826-11	CERAMIC CHIP 0.1UF	10.00% 16V
C5116	1-162-964-11	CERAMIC CHIP 0.001UF	10.00% 50V	C6398	1-162-970-11	CERAMIC CHIP 0.01UF	10.00% 25V
C5117	1-162-964-11	CERAMIC CHIP 0.001UF	10.00% 50V	C6399	1-162-970-11	CERAMIC CHIP 0.01UF	10.00% 25V
C5500	1-126-197-11	ELECT CHIP 10UF	20.00% 50V	C6500	1-164-346-11	CERAMIC CHIP 1UF	16V
C5501	1-107-826-11	CERAMIC CHIP 0.1UF	10.00% 16V	C6501	1-164-346-11	CERAMIC CHIP 1UF	16V
C5502	1-107-826-11	CERAMIC CHIP 0.1UF	10.00% 16V	C7590	1-162-970-11	CERAMIC CHIP 0.01UF	10.00% 25V
C5503	1-100-566-91	CERAMIC CHIP 0.1UF	10.00% 25V	C7591	1-162-970-11	CERAMIC CHIP 0.01UF	10.00% 25V
C5504	1-107-826-11	CERAMIC CHIP 0.1UF	10.00% 16V	C7800	1-162-964-11	CERAMIC CHIP 0.001UF	10.00% 50V
C5505	1-107-826-11	CERAMIC CHIP 0.1UF	10.00% 16V	C7815	1-126-396-11	ELECT CHIP 47UF	20.00% 16V
C5507	1-162-974-11	CERAMIC CHIP 0.01UF	50V	C7817	1-164-004-11	CERAMIC CHIP 0.1UF	10.00% 25V
C5508	1-162-974-11	CERAMIC CHIP 0.01UF	50V	C7818	1-164-004-11	CERAMIC CHIP 0.1UF	10.00% 25V
C5509	1-126-197-11	ELECT CHIP 10UF	20.00% 50V	C7819	1-162-966-11	CERAMIC CHIP 0.0022UF	10.00% 50V
C5510	1-162-974-11	CERAMIC CHIP 0.01UF	50V	C7821	1-107-823-11	CERAMIC CHIP 0.47UF	10.00% 16V
C5511	1-162-974-11	CERAMIC CHIP 0.01UF	50V	C7822	1-107-823-11	CERAMIC CHIP 0.47UF	10.00% 16V
C5512	1-162-974-11	CERAMIC CHIP 0.01UF	50V	C7825	1-162-906-11	CERAMIC CHIP 1.5PF	0.25PF 50V



REF.NO.	PART NO.	DESCRIPTION	REMARK	REF.NO.	PART NO.	DESCRIPTION	REMARK
C7826	1-162-966-11	CERAMIC CHIP 0.0022UF	10.00% 50V	C9563	1-127-715-91	CERAMIC CHIP 0.22UF	10% 16V
C7827	1-162-966-11	CERAMIC CHIP 0.0022UF	10.00% 50V	C9565	1-127-861-11	CERAMIC CHIP 2.2UF	10% 16V
C7828	1-162-966-11	CERAMIC CHIP 0.0022UF	10.00% 50V	C9567	1-127-861-11	CERAMIC CHIP 2.2UF	10% 16V
C7830	1-107-823-11	CERAMIC CHIP 0.47UF	10.00% 16V	C9568	1-127-861-11	CERAMIC CHIP 2.2UF	10% 16V
C7831	1-107-823-11	CERAMIC CHIP 0.47UF	10.00% 16V	C9569	1-127-861-11	CERAMIC CHIP 2.2UF	10% 16V
C7833	1-162-906-11	CERAMIC CHIP 1.5PF	0.25PF 50V	C9570	1-117-681-11	ELECT CHIP 100UF	20.00% 16V
C7834	1-162-927-11	CERAMIC CHIP 100PF	5.00% 50V	C9581	1-127-861-11	CERAMIC CHIP 2.2UF	10% 16V
C7835	1-162-927-11	CERAMIC CHIP 100PF	5.00% 50V	C9583	1-127-861-11	CERAMIC CHIP 2.2UF	10% 16V
C7836	1-162-968-11	CERAMIC CHIP 0.0047UF	10.00% 50V	C9585	1-127-861-11	CERAMIC CHIP 2.2UF	10% 16V
C7838	1-126-396-11	ELECT CHIP 47UF	20.00% 16V	C9586	1-127-861-11	CERAMIC CHIP 2.2UF	10% 16V
C7839	1-126-394-11	ELECT CHIP 10UF	20.00% 16V	C9587	1-127-715-91	CERAMIC CHIP 0.22UF	10% 16V
C7840	1-164-004-11	CERAMIC CHIP 0.1UF	10.00% 25V	C9588	1-127-715-91	CERAMIC CHIP 0.22UF	10% 16V
C7841	1-126-394-11	ELECT CHIP 10UF	20.00% 16V	C9590	1-165-908-11	CERAMIC CHIP 1UF	10% 10V
C7842	1-164-004-11	CERAMIC CHIP 0.1UF	10.00% 25V	C9591	1-165-908-11	CERAMIC CHIP 1UF	10% 10V
C7844	1-162-966-11	CERAMIC CHIP 0.0022UF	10.00% 50V	C9593	1-127-861-11	CERAMIC CHIP 2.2UF	10% 16V
C7845	1-162-966-11	CERAMIC CHIP 0.0022UF	10.00% 50V	C9594	1-125-889-91	CERAMIC CHIP 2.2UF	10% 10V
C7846	1-126-394-11	ELECT CHIP 10UF	20.00% 16V	C9596	1-127-861-11	CERAMIC CHIP 2.2UF	10% 16V
C7847	1-126-394-11	ELECT CHIP 10UF	20.00% 16V	C9597	1-127-861-11	CERAMIC CHIP 2.2UF	10% 16V
C7849	1-162-928-11	CERAMIC CHIP 120PF	5.00% 50V	C9598	1-125-889-91	CERAMIC CHIP 2.2UF	10% 10V
C7850	1-164-004-11	CERAMIC CHIP 0.1UF	10.00% 25V	C9600	1-127-715-91	CERAMIC CHIP 0.22UF	10% 16V
C7851	1-125-891-11	CERAMIC CHIP 0.47UF	10.00% 10V	C9601	1-127-715-91	CERAMIC CHIP 0.22UF	10% 16V
C7852	1-126-396-11	ELECT CHIP 47UF	20.00% 16V	C9602	1-127-715-91	CERAMIC CHIP 0.22UF	10% 16V
C7853	1-164-004-11	CERAMIC CHIP 0.1UF	10.00% 25V	C9603	1-124-779-00	ELECT CHIP 10UF	20.00% 16V
C7993	1-165-908-11	CERAMIC CHIP 1UF	10% 10V	C9604	1-127-715-91	CERAMIC CHIP 0.22UF	10% 16V
C7994	1-165-908-11	CERAMIC CHIP 1UF	10% 10V	C9605	1-127-715-91	CERAMIC CHIP 0.22UF	10% 16V
C8535	1-164-874-11	CERAMIC CHIP 100PF	5.00% 50V	C9615	1-127-861-11	CERAMIC CHIP 2.2UF	10% 16V
C9001	1-127-715-91	CERAMIC CHIP 0.22UF	10% 16V	C9616	1-125-889-91	CERAMIC CHIP 2.2UF	10% 10V
C9004	1-127-715-91	CERAMIC CHIP 0.22UF	10% 16V	C9617	1-127-861-11	CERAMIC CHIP 2.2UF	10% 16V
C9500	1-162-962-11	CERAMIC CHIP 470PF	10.00% 50V	C9620	1-127-715-91	CERAMIC CHIP 0.22UF	10% 16V
C9502	1-162-962-11	CERAMIC CHIP 470PF	10.00% 50V	C9621	1-127-715-91	CERAMIC CHIP 0.22UF	10% 16V
C9504	1-162-962-11	CERAMIC CHIP 470PF	10.00% 50V	C9622	1-127-715-91	CERAMIC CHIP 0.22UF	10% 16V
C9506	1-162-962-11	CERAMIC CHIP 470PF	10.00% 50V	C9623	1-127-715-91	CERAMIC CHIP 0.22UF	10% 16V
C9512	1-164-227-11	CERAMIC CHIP 0.022UF	10.00% 25V	C9641	1-125-889-91	CERAMIC CHIP 2.2UF	10% 10V
C9513	1-162-964-11	CERAMIC CHIP 0.001UF	10.00% 50V	C9652	1-164-346-11	CERAMIC CHIP 1UF	16V
C9514	1-164-227-11	CERAMIC CHIP 0.022UF	10.00% 25V	C9653	1-164-346-11	CERAMIC CHIP 1UF	16V
C9515	1-162-964-11	CERAMIC CHIP 0.001UF	10.00% 50V	C9654	1-164-004-11	CERAMIC CHIP 0.1UF	10.00% 25V
C9520	1-128-992-21	ELECT CHIP 47UF	20% 25V	C9655	1-164-388-91	CERAMIC CHIP 270PF	5.00% 50V
C9521	1-164-227-11	CERAMIC CHIP 0.022UF	10.00% 25V	C9656	1-162-927-11	CERAMIC CHIP 100PF	5.00% 50V
C9522	1-162-964-11	CERAMIC CHIP 0.001UF	10.00% 50V	C9657	1-115-340-11	CERAMIC CHIP 0.22UF	10.00% 25V
C9523	1-164-227-11	CERAMIC CHIP 0.022UF	10.00% 25V	< CONNECTOR >			
C9524	1-162-964-11	CERAMIC CHIP 0.001UF	10.00% 50V	CN5402	1-580-789-22	PIN, CONNECTOR (SMD) 6P	
C9539	1-128-992-21	ELECT CHIP 47UF	20% 25V	CN5404	1-695-209-21	PIN, CONNECTOR (PC BOARD) 15P	
C9540	1-128-992-21	ELECT CHIP 47UF	20% 25V	CN8550	1-764-079-21	PIN, CONNECTOR (PC BOARD) 4P	
C9541	1-162-970-11	CERAMIC CHIP 0.01UF	10.00% 25V	CN8551	* 1-695-890-21	PIN, CONNECTOR (PC BOARD) 12P	
C9542	1-128-992-21	ELECT CHIP 47UF	20% 25V	CN9500	1-695-549-11	SOCKET, PIN 21P	
C9543	1-128-992-21	ELECT CHIP 47UF	20% 25V	CN9501	1-695-549-11	SOCKET, PIN 21P	
C9559	1-125-889-91	CERAMIC CHIP 2.2UF	10% 10V	CN9505	1-695-209-21	PIN, CONNECTOR (PC BOARD) 15P	
C9560	1-125-889-91	CERAMIC CHIP 2.2UF	10% 10V	CN9506	1-695-889-21	PIN, CONNECTOR (PC BOARD) 10P	
C9561	1-125-891-11	CERAMIC CHIP 0.47UF	10.00% 10V	CN9507	* 1-779-268-21	PIN, CONNECTOR (1.5MM) (SMD) 11P	
C9562	1-125-889-91	CERAMIC CHIP 2.2UF	10% 10V				

Note : The components identified by shading and marked Δ are critical for safety. Replace only with the part numbers specified in the parts list.



REF.NO.	PART NO.	DESCRIPTION	REMARK	REF.NO.	PART NO.	DESCRIPTION	REMARK
CN9508	* 1-573-768-21	PIN, CONNECTOR (1.5MM) (SMD) 5P		D9620	8-719-069-55	DIODE UDZSTE-175.6B	
CN9509	1-573-290-21	PIN, CONNECTOR (1.5MM) (SMD) 4P		D9621	8-719-069-55	DIODE UDZSTE-175.6B	
CN9510	* 1-819-817-11	CONNECTOR (RECEPTACLE) 14P		D9622	8-719-069-55	DIODE UDZSTE-175.6B	
CN9511	* 1-695-210-21	PIN, CONNECTOR (PC BOARD) 15P					
CN9512	* 1-793-497-11	CONNECTOR, BOARD TO BOARD 40P				< FUSE >	
				F5700	Δ 1-576-415-21	FUSE	2A 32V
CN9513	1-573-806-21	PIN, CONNECTOR (1.5MM) (SMD) 6P				< FERRITE BEAD >	
CN9514	* 1-764-080-21	PIN, CONNECTOR (PC BOARD) 8P					
		< DIODE >					
D2501	8-719-081-97	DIODE MMDL914T1		FB1000	1-414-760-21	FERRITE	OUH
D2502	8-719-081-97	DIODE MMDL914T1		FB5500	1-400-179-21	INDUCTOR	OUH
D2503	8-719-081-97	DIODE MMDL914T1		FB5501	1-400-179-21	INDUCTOR	OUH
D5701	8-719-073-34	DIODE EC21QS03L-TE12L		FB7800	1-414-760-21	FERRITE	OUH
D5703	8-719-073-34	DIODE EC21QS03L-TE12L		FB7801	1-414-760-21	FERRITE	OUH
D5704	6-500-020-01	DIODE MM3Z4V3ST1		FB8563	1-400-244-11	FERRITE	OUH
D5705	6-500-020-01	DIODE MM3Z4V3ST1				< FILTER >	
D7807	8-719-069-60	DIODE UDZSTE-179.1B		FL2500	1-233-765-21	FILTER	
D9500	8-719-069-60	DIODE UDZSTE-179.1B		FL5000	1-234-177-21	FERRITE	OUH
D9501	8-719-083-63	DIODE UDZSTE-1713B		FL5001	1-234-177-21	FERRITE	OUH
				FL5002	1-234-177-21	FERRITE	OUH
D9502	8-719-069-55	DIODE UDZSTE-175.6B		FL5003	1-234-177-21	FERRITE	OUH
D9503	8-719-069-60	DIODE UDZSTE-179.1B					
D9504	8-719-069-55	DIODE UDZSTE-175.6B		FL5004	1-234-177-21	FERRITE	OUH
D9505	8-719-069-60	DIODE UDZSTE-179.1B		FL5005	1-234-177-21	FERRITE	OUH
D9506	8-719-069-55	DIODE UDZSTE-175.6B		FL5006	1-234-177-21	FERRITE	OUH
				FL5007	1-234-177-21	FERRITE	OUH
D9507	8-719-069-60	DIODE UDZSTE-179.1B		FL5500	1-234-177-21	FERRITE	OUH
D9508	8-719-083-63	DIODE UDZSTE-1713B					
D9509	8-719-069-55	DIODE UDZSTE-175.6B		FL5501	1-234-177-21	FERRITE	OUH
D9510	8-719-069-55	DIODE UDZSTE-175.6B				< IC >	
D9511	8-719-069-60	DIODE UDZSTE-179.1B		IC1000	6-704-117-01	IC S-1111B33MC-NYSTFG	
				IC1001	6-706-640-01	IC BH25FB1WG-TR	
D9512	8-719-069-55	DIODE UDZSTE-175.6B		IC1002	1-540-151-21	SOCKET, IC	
D9513	8-719-069-60	DIODE UDZSTE-179.1B		IC1003	6-706-232-01	IC SDA5550M-QB-T	
D9514	8-719-069-55	DIODE UDZSTE-175.6B		IC1005	6-704-573-01	IC M24C32-WMN6T (B)	
D9544	8-719-069-60	DIODE UDZSTE-179.1B					
D9545	8-719-069-60	DIODE UDZSTE-179.1B		IC1006	6-702-313-01	IC PST600IMT	
				IC1010	6-706-419-01	IC LM393DT (A)	
D9601	8-719-081-97	DIODE MMDL914T1		IC2500	6-706-475-01	IC TC7SET02FU (T5RSOJF)	
D9602	8-719-069-60	DIODE UDZSTE-179.1B		IC2501	8-753-212-10	IC CXA2163AQ-T6	
D9603	8-719-069-60	DIODE UDZSTE-179.1B		IC2504	6-704-465-01	IC MC74LVX8053DTR2	
D9604	8-719-069-60	DIODE UDZSTE-179.1B					
D9605	8-719-069-55	DIODE UDZSTE-175.6B		IC2506	6-704-465-01	IC MC74LVX8053DTR2	
				IC2507	8-759-524-24	IC TC7WT241FU (TE12R)	
D9606	8-719-069-55	DIODE UDZSTE-175.6B		IC2601	6-704-465-01	IC MC74LVX8053DTR2	
D9609	8-719-069-55	DIODE UDZSTE-175.6B		IC5000	6-708-533-01	IC SVPEX-SREVB	
D9610	8-719-069-55	DIODE UDZSTE-175.6B		IC5500	6-708-183-01	IC K4D263238G-VC36T	
D9611	8-719-069-55	DIODE UDZSTE-175.6B					
D9612	8-719-069-55	DIODE UDZSTE-175.6B		IC5700	6-704-407-01	IC PQ1CZ41H2ZPH	
				IC5701	6-704-407-01	IC PQ1CZ41H2ZPH	
D9613	8-719-069-55	DIODE UDZSTE-175.6B		IC5720	8-759-832-05	IC BA18BC0FP-E2	
D9616	8-719-073-34	DIODE EC21QS03L-TE12L		IC5721	8-759-832-05	IC BA18BC0FP-E2	
D9617	8-719-069-55	DIODE UDZSTE-175.6B		IC5722	6-700-394-01	IC BA25BC0FP-E2	
D9618	8-719-069-55	DIODE UDZSTE-175.6B					
D9619	8-719-069-55	DIODE UDZSTE-175.6B					

REF.NO.	PART NO.	DESCRIPTION	REMARK	REF.NO.	PART NO.	DESCRIPTION	REMARK
IC5740	8-759-533-85	IC L88M05T-FA-TL		L9502	1-412-030-11	INDUCTOR	22UH
IC6309	8-759-576-76	IC TDA2822D013TR		L9510	1-412-030-11	INDUCTOR	22UH
IC7402	8-752-072-94	IC CXA1875AM-T4				< TRANSISTOR >	
IC7403	6-706-137-01	IC K6F2008V2E-LF70T00					
IC7804	6-701-031-11	IC MSP3411G-QA-B11		Q2501	8-729-010-05	TRANSISTOR MSB709-RT1	
IC8500	8-752-072-94	IC CXA1875AM-T4		Q2502	8-729-010-05	TRANSISTOR MSB709-RT1	
IC9500	8-752-089-33	IC CXA2069Q-TL		Q2503	8-729-010-05	TRANSISTOR MSB709-RT1	
		< SOCKET >		Q2504	8-729-010-05	TRANSISTOR MSB709-RT1	
J2802	1-819-255-11	PIN JACK 2P		Q2505	8-729-010-29	TRANSISTOR MSD601-RST1	
J9154	1-819-721-11	PIN JACK 5P		Q2506	8-729-029-00	TRANSISTOR DTC115EUA-T106	
		< COIL >		Q2508	8-729-029-00	TRANSISTOR DTC115EUA-T106	
L1000	1-412-058-11	INDUCTOR	10UH	Q2509	8-729-010-29	TRANSISTOR MSD601-RST1	
L2500	1-412-029-11	INDUCTOR	10UH	Q2510	8-729-010-29	TRANSISTOR MSD601-RST1	
L2502	1-412-029-11	INDUCTOR	10UH	Q2513	8-729-010-29	TRANSISTOR MSD601-RST1	
L2504	1-412-029-11	INDUCTOR	10UH	Q2514	8-729-010-29	TRANSISTOR MSD601-RST1	
L2506	1-412-029-11	INDUCTOR	10UH	Q2601	8-729-029-00	TRANSISTOR DTC115EUA-T106	
L2507	1-412-029-11	INDUCTOR	10UH	Q3878	8-729-010-29	TRANSISTOR MSD601-RST1	
L2508	1-412-029-11	INDUCTOR	10UH	Q3880	8-729-010-05	TRANSISTOR MSB709-RT1	
L2509	1-412-029-11	INDUCTOR	10UH	Q3881	8-729-010-29	TRANSISTOR MSD601-RST1	
L2510	1-412-029-11	INDUCTOR	10UH	Q5700	8-729-046-04	TRANSISTOR FDS6690A	
L5000	1-414-394-11	INDUCTOR	2.2UH	Q7412	8-729-028-28	TRANSISTOR 2SK2036 (TE85L)	
L5001	1-414-394-11	INDUCTOR	2.2UH	Q7416	8-729-010-05	TRANSISTOR MSB709-RT1	
L5002	1-414-394-11	INDUCTOR	2.2UH	Q7800	8-729-010-29	TRANSISTOR MSD601-RST1	
L5003	1-414-394-11	INDUCTOR	2.2UH	Q7801	8-729-010-29	TRANSISTOR MSD601-RST1	
L5004	1-400-179-21	INDUCTOR	0UH	Q7802	8-729-010-29	TRANSISTOR MSD601-RST1	
L5005	1-400-179-21	INDUCTOR	0UH	Q7803	8-729-010-29	TRANSISTOR MSD601-RST1	
L5006	1-216-801-11	METAL CHIP	22 5% 1/10W	Q7806	8-729-010-29	TRANSISTOR MSD601-RST1	
L5007	1-216-801-11	METAL CHIP	22 5% 1/10W	Q7810	8-729-010-29	TRANSISTOR MSD601-RST1	
L5008	1-456-984-11	INDUCTOR	0UH	Q7811	8-729-010-05	TRANSISTOR MSB709-RT1	
L5009	1-456-984-11	INDUCTOR	0UH	Q8490	8-729-010-29	TRANSISTOR MSD601-RST1	
L5010	1-400-179-21	INDUCTOR	0UH	Q9500	8-729-010-29	TRANSISTOR MSD601-RST1	
L5012	1-456-984-11	INDUCTOR	0UH	Q9510	8-729-927-99	TRANSISTOR 2SC4617R	
L5013	1-456-984-11	INDUCTOR	0UH	Q9511	8-729-927-99	TRANSISTOR 2SC4617R	
L5014	1-456-984-11	INDUCTOR	0UH	Q9512	8-729-120-28	TRANSISTOR 2SC1623-L5L6	
L5015	1-400-179-21	INDUCTOR	0UH	Q9514	8-729-120-28	TRANSISTOR 2SC1623-L5L6	
L5700	1-409-529-41	INDUCTOR	10UH	Q9515	8-729-120-28	TRANSISTOR 2SC1623-L5L6	
L5701	1-456-786-21	INDUCTOR	47UH	Q9516	8-729-120-28	TRANSISTOR 2SC1623-L5L6	
L5702	1-456-786-21	INDUCTOR	47UH	Q9601	8-729-010-29	TRANSISTOR MSD601-RST1	
L5729	1-400-784-21	INDUCTOR	4.7UH	Q9602	6-550-014-01	TRANSISTOR SSM6N15FU (TE85R)	
L6308	1-412-026-11	INDUCTOR	1UH	Q9603	8-729-010-05	TRANSISTOR MSB709-RT1	
L6316	1-412-029-11	INDUCTOR	10UH	Q9604	8-729-421-19	TRANSISTOR UN2213	
L6317	1-412-029-11	INDUCTOR	10UH	Q9605	8-729-010-29	TRANSISTOR MSD601-RST1	
L7803	1-412-029-11	INDUCTOR	10UH	Q9606	8-729-028-28	TRANSISTOR 2SK2036 (TE85L)	
L7805	1-412-990-41	INDUCTOR	8.2UH	Q9607	8-729-028-28	TRANSISTOR 2SK2036 (TE85L)	
L7806	1-412-029-11	INDUCTOR	10UH			< RESISTOR >	
L7807	1-412-029-11	INDUCTOR	10UH	R1001	1-216-809-11	METAL CHIP	100 5% 1/10W
L9500	1-412-029-11	INDUCTOR	10UH	R1002	1-218-990-81	SHORT CHIP	0
				R1003	1-218-990-81	SHORT CHIP	0
				R1009	1-216-829-11	METAL CHIP	4.7K 5% 1/10W





REF.NO.	PART NO.	DESCRIPTION	REMARK	REF.NO.	PART NO.	DESCRIPTION	REMARK
R1010	1-218-990-81	SHORT CHIP	0	R2503	1-216-821-11	METAL CHIP	1K 5% 1/10W
R1011	1-218-990-81	SHORT CHIP	0	R2506	1-216-838-11	METAL CHIP	27K 5% 1/10W
R1012	1-218-990-81	SHORT CHIP	0	R2507	1-216-864-11	SHORT CHIP	0
R1014	1-218-990-81	SHORT CHIP	0	R2508	1-216-828-11	METAL CHIP	3.9K 5% 1/10W
R1016	1-218-990-81	SHORT CHIP	0	R2511	1-216-833-11	METAL CHIP	10K 5% 1/10W
R1017	1-218-990-81	SHORT CHIP	0	R2512	1-216-833-11	METAL CHIP	10K 5% 1/10W
R1018	1-218-990-81	SHORT CHIP	0	R2513	1-216-833-11	METAL CHIP	10K 5% 1/10W
R1019	1-218-973-11	RES-CHIP	47K 5% 1/16W	R2514	1-216-864-11	SHORT CHIP	0
R1020	1-218-973-11	RES-CHIP	47K 5% 1/16W	R2515	1-216-817-11	METAL CHIP	470 5% 1/10W
R1021	1-218-973-11	RES-CHIP	47K 5% 1/16W	R2517	1-216-821-11	METAL CHIP	1K 5% 1/10W
R1027	1-218-990-81	SHORT CHIP	0	R2518	1-216-864-11	SHORT CHIP	0
R1028	1-216-809-11	METAL CHIP	100 5% 1/10W	R2519	1-216-864-11	SHORT CHIP	0
R1030	1-216-809-11	METAL CHIP	100 5% 1/10W	R2520	1-216-864-11	SHORT CHIP	0
R1031	1-218-847-11	METAL CHIP	1K 0.5% 1/10W	R2521	1-216-864-11	SHORT CHIP	0
R1033	1-218-847-11	METAL CHIP	1K 0.5% 1/10W	R2522	1-218-867-11	METAL CHIP	6.8K 0.5% 1/10W
R1034	1-218-990-81	SHORT CHIP	0	R2523	1-216-864-11	SHORT CHIP	0
R1039	1-218-929-11	RES-CHIP	10 5% 1/16W	R2524	1-218-867-11	METAL CHIP	6.8K 0.5% 1/10W
R1040	1-216-809-11	METAL CHIP	100 5% 1/10W	R2528	1-216-864-11	SHORT CHIP	0
R1041	1-216-809-11	METAL CHIP	100 5% 1/10W	R2529	1-216-864-11	SHORT CHIP	0
R1042	1-218-990-81	SHORT CHIP	0	R2530	1-216-820-11	METAL CHIP	820 5% 1/10W
R1043	1-218-990-81	SHORT CHIP	0	R2531	1-216-818-11	METAL CHIP	560 5% 1/10W
R1044	1-218-990-81	SHORT CHIP	0	R2534	1-216-864-11	SHORT CHIP	0
R1045	1-218-953-11	RES-CHIP	1K 5% 1/16W	R2535	1-216-809-11	METAL CHIP	100 5% 1/10W
R1046	1-218-990-81	SHORT CHIP	0	R2537	1-216-809-11	METAL CHIP	100 5% 1/10W
R1047	1-218-990-81	SHORT CHIP	0	R2538	1-216-809-11	METAL CHIP	100 5% 1/10W
R1059	1-216-809-11	METAL CHIP	100 5% 1/10W	R2539	1-216-809-11	METAL CHIP	100 5% 1/10W
R1060	1-216-817-11	METAL CHIP	470 5% 1/10W	R2540	1-216-809-11	METAL CHIP	100 5% 1/10W
R1063	1-216-809-11	METAL CHIP	100 5% 1/10W	R2542	1-216-809-11	METAL CHIP	100 5% 1/10W
R1064	1-216-809-11	METAL CHIP	100 5% 1/10W	R2544	1-216-830-11	METAL CHIP	5.6K 5% 1/10W
R1065	1-216-809-11	METAL CHIP	100 5% 1/10W	R2545	1-216-817-11	METAL CHIP	470 5% 1/10W
R1069	1-218-965-11	RES-CHIP	10K 5% 1/16W	R2546	1-216-825-11	METAL CHIP	2.2K 5% 1/10W
R1082	1-218-990-81	SHORT CHIP	0	R2547	1-216-825-11	METAL CHIP	2.2K 5% 1/10W
R1083	1-218-965-11	RES-CHIP	10K 5% 1/16W	R2548	1-216-811-11	METAL CHIP	150 5% 1/10W
R1102	1-218-990-81	SHORT CHIP	0	R2549	1-211-985-11	METAL CHIP	47 0.5% 1/10W
R1103	1-218-990-81	SHORT CHIP	0	R2556	1-216-834-11	METAL CHIP	12K 5% 1/10W
R1104	1-218-990-81	SHORT CHIP	0	R2558	1-216-864-11	SHORT CHIP	0
R1105	1-218-990-81	SHORT CHIP	0	R2559	1-216-864-11	SHORT CHIP	0
R1106	1-218-990-81	SHORT CHIP	0	R2560	1-216-864-11	SHORT CHIP	0
R1115	1-216-864-11	SHORT CHIP	0	R2561	1-216-864-11	SHORT CHIP	0
R1120	1-216-864-11	SHORT CHIP	0	R2562	1-216-833-11	METAL CHIP	10K 5% 1/10W
R1126	1-218-941-81	RES-CHIP	100 5% 1/16W	R2563	1-216-833-11	METAL CHIP	10K 5% 1/10W
R1127	1-216-864-11	SHORT CHIP	0	R2564	1-216-833-11	METAL CHIP	10K 5% 1/10W
R1132	1-216-864-11	SHORT CHIP	0	R2565	1-216-833-11	METAL CHIP	10K 5% 1/10W
R1133	1-216-864-11	SHORT CHIP	0	R2566	1-216-833-11	METAL CHIP	10K 5% 1/10W
R1205	1-218-965-11	RES-CHIP	10K 5% 1/16W	R2567	1-216-864-11	SHORT CHIP	0
R1209	1-218-965-11	RES-CHIP	10K 5% 1/16W	R2568	1-216-864-11	SHORT CHIP	0
R1215	1-216-864-11	SHORT CHIP	0	R2569	1-216-864-11	SHORT CHIP	0
R2500	1-216-864-11	SHORT CHIP	0	R2571	1-216-864-11	SHORT CHIP	0
R2501	1-216-809-11	METAL CHIP	100 5% 1/10W	R2573	1-216-829-11	METAL CHIP	4.7K 5% 1/10W
R2502	1-216-809-11	METAL CHIP	100 5% 1/10W	R2574	1-216-829-11	METAL CHIP	4.7K 5% 1/10W



REF.NO.	PART NO.	DESCRIPTION	REMARK			REF.NO.	PART NO.	DESCRIPTION	REMARK		
R2576	1-216-864-11	SHORT CHIP	0			R5007	1-216-864-11	SHORT CHIP	0		
R2577	1-216-864-11	SHORT CHIP	0			R5008	1-216-864-11	SHORT CHIP	0		
R2578	1-216-833-11	METAL CHIP	10K	5%	1/10W	R5009	1-216-864-11	SHORT CHIP	0		
R2579	1-216-833-11	METAL CHIP	10K	5%	1/10W	R5010	1-216-821-11	METAL CHIP	1K	5%	1/10W
R2580	1-216-833-11	METAL CHIP	10K	5%	1/10W	R5012	1-216-829-11	METAL CHIP	4.7K	5%	1/10W
R2581	1-216-833-11	METAL CHIP	10K	5%	1/10W	R5015	1-216-864-11	SHORT CHIP	0		
R2582	1-216-833-11	METAL CHIP	10K	5%	1/10W	R5023	1-216-864-11	SHORT CHIP	0		
R2583	1-216-833-11	METAL CHIP	10K	5%	1/10W	R5032	1-218-933-11	RES-CHIP	22	5%	1/16W
R2586	1-216-833-11	METAL CHIP	10K	5%	1/10W	R5033	1-218-933-11	RES-CHIP	22	5%	1/16W
R2587	1-216-864-11	SHORT CHIP	0			R5034	1-218-990-81	SHORT CHIP	0		
R2588	1-216-864-11	SHORT CHIP	0			R5043	1-216-841-11	METAL CHIP	47K	5%	1/10W
R2589	1-216-829-11	METAL CHIP	4.7K	5%	1/10W	R5500	1-218-847-11	METAL CHIP	1K	0.5%	1/10W
R2590	1-216-829-11	METAL CHIP	4.7K	5%	1/10W	R5501	1-218-847-11	METAL CHIP	1K	0.5%	1/10W
R2591	1-216-809-11	METAL CHIP	100	5%	1/10W	R5502	1-211-986-11	METAL CHIP	51	0.5%	1/10W
R2592	1-216-833-11	METAL CHIP	10K	5%	1/10W	R5503	1-211-986-11	METAL CHIP	51	0.5%	1/10W
R2593	1-216-809-11	METAL CHIP	100	5%	1/10W	R5504	1-218-933-11	RES-CHIP	22	5%	1/16W
R2594	1-216-833-11	METAL CHIP	10K	5%	1/10W	R5505	1-218-933-11	RES-CHIP	22	5%	1/16W
R2595	1-216-821-11	METAL CHIP	1K	5%	1/10W	R5506	1-218-933-11	RES-CHIP	22	5%	1/16W
R2596	1-216-829-11	METAL CHIP	4.7K	5%	1/10W	R5507	1-218-933-11	RES-CHIP	22	5%	1/16W
R2597	1-218-867-11	METAL CHIP	6.8K	0.5%	1/10W	R5508	1-218-933-11	RES-CHIP	22	5%	1/16W
R2598	1-216-833-11	METAL CHIP	10K	5%	1/10W	R5509	1-218-933-11	RES-CHIP	22	5%	1/16W
R2599	1-216-809-11	METAL CHIP	100	5%	1/10W	R5510	1-218-990-81	SHORT CHIP	0		
R2600	1-216-833-11	METAL CHIP	10K	5%	1/10W	R5511	1-218-990-81	SHORT CHIP	0		
R2601	1-216-833-11	METAL CHIP	10K	5%	1/10W	R5512	1-218-933-11	RES-CHIP	22	5%	1/16W
R2602	1-216-833-11	METAL CHIP	10K	5%	1/10W	R5513	1-218-933-11	RES-CHIP	22	5%	1/16W
R2603	1-216-833-11	METAL CHIP	10K	5%	1/10W	R5514	1-218-933-11	RES-CHIP	22	5%	1/16W
R2604	1-216-857-11	METAL CHIP	1M	5%	1/10W	R5515	1-218-933-11	RES-CHIP	22	5%	1/16W
R2605	1-216-864-11	SHORT CHIP	0			R5516	1-218-933-11	RES-CHIP	22	5%	1/16W
R2607	1-216-864-11	SHORT CHIP	0			R5700	1-216-821-11	METAL CHIP	1K	5%	1/10W
R2608	1-216-864-11	SHORT CHIP	0			R5701	1-216-821-11	METAL CHIP	1K	5%	1/10W
R2610	1-216-864-11	SHORT CHIP	0			R5702	1-216-821-11	METAL CHIP	1K	5%	1/10W
R2611	1-216-833-11	METAL CHIP	10K	5%	1/10W	R5704	1-216-841-11	METAL CHIP	47K	5%	1/10W
R2612	1-216-833-11	METAL CHIP	10K	5%	1/10W	R5707	1-216-841-11	METAL CHIP	47K	5%	1/10W
R2613	1-216-864-11	SHORT CHIP	0			R5710	1-218-855-11	METAL CHIP	2.2K	0.5%	1/10W
R2615	1-216-864-11	SHORT CHIP	0			R5711	1-218-853-11	METAL CHIP	1.8K	0.5%	1/10W
R2616	1-216-864-11	SHORT CHIP	0			R5714	1-218-855-11	METAL CHIP	2.2K	0.5%	1/10W
R2618	1-216-864-11	SHORT CHIP	0			R5715	1-218-855-11	METAL CHIP	2.2K	0.5%	1/10W
R2619	1-216-864-11	SHORT CHIP	0			R5716	1-218-855-11	METAL CHIP	2.2K	0.5%	1/10W
R2620	1-216-833-11	METAL CHIP	10K	5%	1/10W	R5717	1-216-295-91	SHORT CHIP	0		
R2621	1-216-833-11	METAL CHIP	10K	5%	1/10W	R5718	1-216-295-91	SHORT CHIP	0		
R2622	1-216-864-11	SHORT CHIP	0			R5720	1-216-295-91	SHORT CHIP	0		
R2623	1-216-833-11	METAL CHIP	10K	5%	1/10W	R5722	1-216-295-91	SHORT CHIP	0		
R2624	1-216-864-11	SHORT CHIP	0			R5724	1-216-295-91	SHORT CHIP	0		
R2625	1-216-833-11	METAL CHIP	10K	5%	1/10W	R5726	1-216-295-91	SHORT CHIP	0		
R2627	1-216-864-11	SHORT CHIP	0			R5728	1-216-295-91	SHORT CHIP	0		
R5000	1-216-864-11	SHORT CHIP	0			R5732	1-218-863-11	METAL CHIP	4.7K	0.5%	1/10W
R5001	1-216-864-11	SHORT CHIP	0			R6527	1-216-805-11	METAL CHIP	47	5%	1/10W
R5002	1-216-864-11	SHORT CHIP	0			R6528	1-216-805-11	METAL CHIP	47	5%	1/10W
R5003	1-216-821-11	METAL CHIP	1K	5%	1/10W	R6529	1-216-825-11	METAL CHIP	2.2K	5%	1/10W
R5005	1-216-864-11	SHORT CHIP	0			R6530	1-216-825-11	METAL CHIP	2.2K	5%	1/10W



REF.NO.	PART NO.	DESCRIPTION	REMARK	REF.NO.	PART NO.	DESCRIPTION	REMARK
R6531	1-216-837-11	METAL CHIP	22K 5% 1/10W	R7560	1-216-841-11	METAL CHIP	47K 5% 1/10W
R6532	1-216-837-11	METAL CHIP	22K 5% 1/10W	R7561	1-216-841-11	METAL CHIP	47K 5% 1/10W
R6533	1-220-234-11	METAL CHIP	4.7 10% 1/4W	R7563	1-216-864-11	SHORT CHIP	0
R6534	1-220-234-11	METAL CHIP	4.7 10% 1/4W	R7564	1-216-864-11	SHORT CHIP	0
R6535	1-216-813-11	METAL CHIP	220 5% 1/10W	R7565	1-216-829-11	METAL CHIP	4.7K 5% 1/10W
R6536	1-216-813-11	METAL CHIP	220 5% 1/10W	R7566	1-216-829-11	METAL CHIP	4.7K 5% 1/10W
R6537	1-216-809-11	METAL CHIP	100 5% 1/10W	R7567	1-216-809-11	METAL CHIP	100 5% 1/10W
R6538	1-216-809-11	METAL CHIP	100 5% 1/10W	R7568	1-218-990-81	SHORT CHIP	0
R6539	1-216-809-11	METAL CHIP	100 5% 1/10W	R7571	1-218-990-81	SHORT CHIP	0
R6540	1-216-809-11	METAL CHIP	100 5% 1/10W	R7577	1-216-809-11	METAL CHIP	100 5% 1/10W
R6541	1-216-821-11	METAL CHIP	1K 5% 1/10W	R7578	1-218-965-11	RES-CHIP	10K 5% 1/16W
R6542	1-216-821-11	METAL CHIP	1K 5% 1/10W	R7580	1-218-965-11	RES-CHIP	10K 5% 1/16W
R6543	1-216-821-11	METAL CHIP	1K 5% 1/10W	R7588	1-218-965-11	RES-CHIP	10K 5% 1/16W
R6545	1-216-864-11	SHORT CHIP	0	R7592	1-218-965-11	RES-CHIP	10K 5% 1/16W
R7484	1-218-990-81	SHORT CHIP	0	R7599	1-218-990-81	SHORT CHIP	0
R7485	1-218-990-81	SHORT CHIP	0	R7602	1-216-845-11	METAL CHIP	100K 5% 1/10W
R7486	1-218-990-81	SHORT CHIP	0	R7802	1-216-836-11	METAL CHIP	18K 5% 1/10W
R7487	1-218-990-81	SHORT CHIP	0	R7803	1-216-836-11	METAL CHIP	18K 5% 1/10W
R7488	1-218-990-81	SHORT CHIP	0	R7804	1-216-839-11	METAL CHIP	33K 5% 1/10W
R7489	1-218-990-81	SHORT CHIP	0	R7805	1-216-829-11	METAL CHIP	4.7K 5% 1/10W
R7490	1-218-990-81	SHORT CHIP	0	R7806	1-216-839-11	METAL CHIP	33K 5% 1/10W
R7491	1-218-990-81	SHORT CHIP	0	R7807	1-218-841-11	METAL CHIP	560 0.5% 1/10W
R7492	1-218-965-11	RES-CHIP	10K 5% 1/16W	R7808	1-218-841-11	METAL CHIP	560 0.5% 1/10W
R7493	1-218-965-11	RES-CHIP	10K 5% 1/16W	R7822	1-216-845-11	METAL CHIP	100K 5% 1/10W
R7494	1-218-965-11	RES-CHIP	10K 5% 1/16W	R7828	1-216-836-11	METAL CHIP	18K 5% 1/10W
R7495	1-216-841-11	METAL CHIP	47K 5% 1/10W	R7829	1-216-839-11	METAL CHIP	33K 5% 1/10W
R7496	1-218-965-11	RES-CHIP	10K 5% 1/16W	R7830	1-218-841-11	METAL CHIP	560 0.5% 1/10W
R7497	1-218-965-11	RES-CHIP	10K 5% 1/16W	R7840	1-216-809-11	METAL CHIP	100 5% 1/10W
R7500	1-218-990-81	SHORT CHIP	0	R7841	1-216-833-11	METAL CHIP	10K 5% 1/10W
R7504	1-216-809-11	METAL CHIP	100 5% 1/10W	R7843	1-216-809-11	METAL CHIP	100 5% 1/10W
R7505	1-216-809-11	METAL CHIP	100 5% 1/10W	R7844	1-216-845-11	METAL CHIP	100K 5% 1/10W
R7506	1-216-809-11	METAL CHIP	100 5% 1/10W	R7847	1-216-836-11	METAL CHIP	18K 5% 1/10W
R7507	1-216-809-11	METAL CHIP	100 5% 1/10W	R7848	1-216-839-11	METAL CHIP	33K 5% 1/10W
R7508	1-218-847-11	METAL CHIP	1K 0.5% 1/10W	R7849	1-218-841-11	METAL CHIP	560 0.5% 1/10W
R7509	1-216-809-11	METAL CHIP	100 5% 1/10W	R7854	1-216-864-11	SHORT CHIP	0
R7510	1-216-809-11	METAL CHIP	100 5% 1/10W	R7856	1-216-864-11	SHORT CHIP	0
R7511	1-216-809-11	METAL CHIP	100 5% 1/10W	R7857	1-216-821-11	METAL CHIP	1K 5% 1/10W
R7512	1-216-809-11	METAL CHIP	100 5% 1/10W	R7859	1-216-829-11	METAL CHIP	4.7K 5% 1/10W
R7529	1-218-990-81	SHORT CHIP	0	R7860	1-216-829-11	METAL CHIP	4.7K 5% 1/10W
R7531	1-218-990-81	SHORT CHIP	0	R7864	1-216-805-11	METAL CHIP	47 5% 1/10W
R7532	1-218-990-81	SHORT CHIP	0	R7865	1-216-821-11	METAL CHIP	1K 5% 1/10W
R7533	1-218-990-81	SHORT CHIP	0	R7866	1-216-864-11	SHORT CHIP	0
R7534	1-216-833-11	METAL CHIP	10K 5% 1/10W	R7867	1-216-864-11	SHORT CHIP	0
R7537	1-218-990-81	SHORT CHIP	0	R7969	1-216-864-11	SHORT CHIP	0
R7538	1-216-864-11	SHORT CHIP	0	R7970	1-216-864-11	SHORT CHIP	0
R7541	1-218-990-81	SHORT CHIP	0	R7971	1-216-864-11	SHORT CHIP	0
R7545	1-218-965-11	RES-CHIP	10K 5% 1/16W	R7972	1-216-864-11	SHORT CHIP	0
R7551	1-218-990-81	SHORT CHIP	0	R8000	1-216-864-11	SHORT CHIP	0
R7552	1-216-841-11	METAL CHIP	47K 5% 1/10W	R8003	1-216-824-11	METAL CHIP	1.8K 5% 1/10W
R7553	1-216-841-11	METAL CHIP	47K 5% 1/10W	R8497	1-216-833-11	METAL CHIP	10K 5% 1/10W



REF.NO.	PART NO.	DESCRIPTION	REMARK	REF.NO.	PART NO.	DESCRIPTION	REMARK
R8498	1-216-833-11	METAL CHIP	10K 5% 1/10W	R9537	1-216-813-11	METAL CHIP	220 5% 1/10W
R8499	1-216-833-11	METAL CHIP	10K 5% 1/10W	R9538	1-216-853-11	METAL CHIP	470K 5% 1/10W
R8529	1-216-864-11	SHORT CHIP	0	R9539	1-216-853-11	METAL CHIP	470K 5% 1/10W
R8530	1-216-864-11	SHORT CHIP	0	R9540	1-216-049-11	RES-CHIP	1K 5% 1/10W
R8531	1-216-864-11	SHORT CHIP	0	R9541	1-216-029-00	RES-CHIP	150 5% 1/10W
R8532	1-216-864-11	SHORT CHIP	0	R9543	1-216-029-00	RES-CHIP	150 5% 1/10W
R8538	1-216-864-11	SHORT CHIP	0	R9544	1-216-864-11	SHORT CHIP	0
R8539	1-216-864-11	SHORT CHIP	0	R9545	1-216-025-11	RES-CHIP	100 5% 1/10W
R8541	1-216-809-11	METAL CHIP	100 5% 1/10W	R9546	1-216-025-11	RES-CHIP	100 5% 1/10W
R8560	1-216-864-11	SHORT CHIP	0	R9547	1-216-025-11	RES-CHIP	100 5% 1/10W
R8561	1-216-864-11	SHORT CHIP	0	R9548	1-216-837-11	METAL CHIP	22K 5% 1/10W
R8562	1-216-864-11	SHORT CHIP	0	R9549	1-216-853-11	METAL CHIP	470K 5% 1/10W
R8581	1-216-864-11	SHORT CHIP	0	R9550	1-216-853-11	METAL CHIP	470K 5% 1/10W
R8590	1-216-864-11	SHORT CHIP	0	R9551	1-216-022-00	RES-CHIP	75 5% 1/10W
R8597	1-216-864-11	SHORT CHIP	0	R9552	1-216-029-00	RES-CHIP	150 5% 1/10W
R9500	1-216-864-11	SHORT CHIP	0	R9553	1-216-029-00	RES-CHIP	150 5% 1/10W
R9501	1-216-864-11	SHORT CHIP	0	R9554	1-216-029-00	RES-CHIP	150 5% 1/10W
R9503	1-216-815-11	METAL CHIP	330 5% 1/10W	R9555	1-216-029-00	RES-CHIP	150 5% 1/10W
R9504	1-216-049-11	RES-CHIP	1K 5% 1/10W	R9556	1-216-025-11	RES-CHIP	100 5% 1/10W
R9505	1-216-813-11	METAL CHIP	220 5% 1/10W	R9557	1-216-025-11	RES-CHIP	100 5% 1/10W
R9506	1-216-864-11	SHORT CHIP	0	R9558	1-216-025-11	RES-CHIP	100 5% 1/10W
R9507	1-216-853-11	METAL CHIP	470K 5% 1/10W	R9559	1-216-025-11	RES-CHIP	100 5% 1/10W
R9508	1-216-815-11	METAL CHIP	330 5% 1/10W	R9560	1-216-864-11	SHORT CHIP	0
R9509	1-216-049-11	RES-CHIP	1K 5% 1/10W	R9561	1-216-864-11	SHORT CHIP	0
R9510	1-216-029-00	RES-CHIP	150 5% 1/10W	R9562	1-216-864-11	SHORT CHIP	0
R9511	1-216-813-11	METAL CHIP	220 5% 1/10W	R9564	1-216-864-11	SHORT CHIP	0
R9512	1-216-864-11	SHORT CHIP	0	R9565	1-216-864-11	SHORT CHIP	0
R9513	1-216-025-11	RES-CHIP	100 5% 1/10W	R9566	1-218-285-11	METAL CHIP	75 5% 1/10W
R9514	1-216-025-11	RES-CHIP	100 5% 1/10W	R9567	1-216-864-11	SHORT CHIP	0
R9515	1-216-837-11	METAL CHIP	22K 5% 1/10W	R9568	1-218-285-11	METAL CHIP	75 5% 1/10W
R9516	1-216-853-11	METAL CHIP	470K 5% 1/10W	R9569	1-216-864-11	SHORT CHIP	0
R9517	1-216-853-11	METAL CHIP	470K 5% 1/10W	R9570	1-218-285-11	METAL CHIP	75 5% 1/10W
R9518	1-216-853-11	METAL CHIP	470K 5% 1/10W	R9588	1-216-834-11	METAL CHIP	12K 5% 1/10W
R9520	1-216-029-00	RES-CHIP	150 5% 1/10W	R9589	1-216-834-11	METAL CHIP	12K 5% 1/10W
R9521	1-216-029-00	RES-CHIP	150 5% 1/10W	R9606	1-216-864-11	SHORT CHIP	0
R9522	1-216-029-00	RES-CHIP	150 5% 1/10W	R9611	1-216-809-11	METAL CHIP	100 5% 1/10W
R9523	1-216-025-11	RES-CHIP	100 5% 1/10W	R9612	1-216-825-11	METAL CHIP	2.2K 5% 1/10W
R9524	1-216-025-11	RES-CHIP	100 5% 1/10W	R9613	1-216-809-11	METAL CHIP	100 5% 1/10W
R9525	1-216-025-11	RES-CHIP	100 5% 1/10W	R9614	1-216-864-11	SHORT CHIP	0
R9526	1-216-022-00	RES-CHIP	75 5% 1/10W	R9615	1-216-821-11	METAL CHIP	1K 5% 1/10W
R9527	1-216-029-00	RES-CHIP	150 5% 1/10W	R9616	1-216-825-11	METAL CHIP	2.2K 5% 1/10W
R9528	1-216-029-00	RES-CHIP	150 5% 1/10W	R9617	1-216-809-11	METAL CHIP	100 5% 1/10W
R9529	1-216-025-11	RES-CHIP	100 5% 1/10W	R9618	1-216-825-11	METAL CHIP	2.2K 5% 1/10W
R9530	1-216-809-11	METAL CHIP	100 5% 1/10W	R9619	1-216-825-11	METAL CHIP	2.2K 5% 1/10W
R9531	1-216-815-11	METAL CHIP	330 5% 1/10W	R9626	1-216-809-11	METAL CHIP	100 5% 1/10W
R9532	1-216-049-11	RES-CHIP	1K 5% 1/10W	R9627	1-216-825-11	METAL CHIP	2.2K 5% 1/10W
R9533	1-216-815-11	METAL CHIP	330 5% 1/10W	R9628	1-216-825-11	METAL CHIP	2.2K 5% 1/10W
R9534	1-216-821-11	METAL CHIP	1K 5% 1/10W	R9629	1-216-825-11	METAL CHIP	2.2K 5% 1/10W
R9535	1-216-813-11	METAL CHIP	220 5% 1/10W	R9630	1-216-809-11	METAL CHIP	100 5% 1/10W
R9536	1-216-864-11	SHORT CHIP	0	R9631	1-216-809-11	METAL CHIP	100 5% 1/10W



REF.NO.	PART NO.	DESCRIPTION	REMARK			REF.NO.	PART NO.	DESCRIPTION	REMARK		
R9632	1-216-864-11	SHORT CHIP	0			R9708	1-216-029-00	RES-CHIP	150	5%	1/10W
R9633	1-216-864-11	SHORT CHIP	0			R9709	1-216-029-00	RES-CHIP	150	5%	1/10W
R9634	1-216-864-11	SHORT CHIP	0			R9713	1-216-864-11	SHORT CHIP	0		
R9638	1-216-825-11	METAL CHIP	2.2K	5%	1/10W	R9722	1-218-875-11	METAL CHIP	15K	0.5%	1/10W
R9639	1-216-809-11	METAL CHIP	100	5%	1/10W	R9723	1-218-875-11	METAL CHIP	15K	0.5%	1/10W
R9640	1-216-825-11	METAL CHIP	2.2K	5%	1/10W	R9725	1-216-864-11	SHORT CHIP	0		
R9641	1-216-825-11	METAL CHIP	2.2K	5%	1/10W	R9726	1-216-864-11	SHORT CHIP	0		
R9642	1-216-809-11	METAL CHIP	100	5%	1/10W	R9727	1-216-864-11	SHORT CHIP	0		
R9643	1-216-809-11	METAL CHIP	100	5%	1/10W	R9728	1-216-864-11	SHORT CHIP	0		
R9644	1-216-864-11	SHORT CHIP	0			R9729	1-216-864-11	SHORT CHIP	0		
R9645	1-216-864-11	SHORT CHIP	0			R9730	1-216-025-11	RES-CHIP	100	5%	1/10W
R9652	1-216-825-11	METAL CHIP	2.2K	5%	1/10W	R9731	1-216-025-11	RES-CHIP	100	5%	1/10W
R9653	1-216-825-11	METAL CHIP	2.2K	5%	1/10W	R9732	1-216-829-11	METAL CHIP	4.7K	5%	1/10W
R9656	1-216-809-11	METAL CHIP	100	5%	1/10W	R9733	1-216-829-11	METAL CHIP	4.7K	5%	1/10W
R9658	1-216-830-11	METAL CHIP	5.6K	5%	1/10W	R9734	1-216-829-11	METAL CHIP	4.7K	5%	1/10W
R9659	1-218-867-11	METAL CHIP	6.8K	0.5%	1/10W	R9735	1-216-829-11	METAL CHIP	4.7K	5%	1/10W
R9660	1-218-859-11	METAL CHIP	3.3K	0.5%	1/10W	R9736	1-216-809-11	METAL CHIP	100	5%	1/10W
R9661	1-216-830-11	METAL CHIP	5.6K	5%	1/10W	R9737	1-216-809-11	METAL CHIP	100	5%	1/10W
R9662	1-218-867-11	METAL CHIP	6.8K	0.5%	1/10W	R9738	1-216-809-11	METAL CHIP	100	5%	1/10W
R9663	1-216-809-11	METAL CHIP	100	5%	1/10W	R9739	1-216-809-11	METAL CHIP	100	5%	1/10W
R9664	1-218-861-11	METAL CHIP	3.9K	0.5%	1/10W	R9740	1-216-809-11	METAL CHIP	100	5%	1/10W
R9666	1-216-809-11	METAL CHIP	100	5%	1/10W	R9741	1-216-809-11	METAL CHIP	100	5%	1/10W
R9672	1-216-821-11	METAL CHIP	1K	5%	1/10W	R9742	1-216-809-11	METAL CHIP	100	5%	1/10W
R9673	1-216-813-11	METAL CHIP	220	5%	1/10W	R9744	1-216-817-11	METAL CHIP	470	5%	1/10W
R9675	1-216-821-11	METAL CHIP	1K	5%	1/10W	R9745	1-216-837-11	METAL CHIP	22K	5%	1/10W
R9676	1-216-821-11	METAL CHIP	1K	5%	1/10W	R9746	1-216-849-11	METAL CHIP	220K	5%	1/10W
R9677	1-216-821-11	METAL CHIP	1K	5%	1/10W	R9747	1-216-839-11	METAL CHIP	33K	5%	1/10W
R9678	1-216-821-11	METAL CHIP	1K	5%	1/10W	R9748	1-216-839-11	METAL CHIP	33K	5%	1/10W
R9679	1-216-809-11	METAL CHIP	100	5%	1/10W	R9749	1-216-833-11	METAL CHIP	10K	5%	1/10W
R9680	1-216-821-11	METAL CHIP	1K	5%	1/10W	R9750	1-216-821-11	METAL CHIP	1K	5%	1/10W
R9681	1-216-809-11	METAL CHIP	100	5%	1/10W	R9751	1-216-864-11	SHORT CHIP	0		
R9689	1-216-821-11	METAL CHIP	1K	5%	1/10W	R9752	1-216-022-00	RES-CHIP	75	5%	1/10W
R9690	1-216-821-11	METAL CHIP	1K	5%	1/10W	R9753	1-216-022-00	RES-CHIP	75	5%	1/10W
R9691	1-216-853-11	METAL CHIP	470K	5%	1/10W	R9754	1-216-025-11	RES-CHIP	100	5%	1/10W
R9692	1-216-853-11	METAL CHIP	470K	5%	1/10W	R9759	1-216-864-11	SHORT CHIP	0		
R9693	1-216-029-00	RES-CHIP	150	5%	1/10W	R9760	1-216-864-11	SHORT CHIP	0		
R9694	1-216-864-11	SHORT CHIP	0			R9761	1-216-864-11	SHORT CHIP	0		
R9695	1-216-864-11	SHORT CHIP	0			R9762	1-216-864-11	SHORT CHIP	0		
R9696	1-216-864-11	SHORT CHIP	0			R9763	1-216-864-11	SHORT CHIP	0		
R9697	1-216-029-00	RES-CHIP	150	5%	1/10W	R9764	1-216-864-11	SHORT CHIP	0		
R9698	1-216-029-00	RES-CHIP	150	5%	1/10W	R9766	1-218-965-11	RES-CHIP	10K	5%	1/16W
R9699	1-216-029-00	RES-CHIP	150	5%	1/10W	R9767	1-216-809-11	METAL CHIP	100	5%	1/10W
R9700	1-216-029-00	RES-CHIP	150	5%	1/10W	R9769	1-218-933-11	RES-CHIP	22	5%	1/16W
R9701	1-216-029-00	RES-CHIP	150	5%	1/10W	R9770	1-216-864-11	SHORT CHIP	0		
R9702	1-216-029-00	RES-CHIP	150	5%	1/10W	R9773	1-216-864-11	SHORT CHIP	0		
R9703	1-216-029-00	RES-CHIP	150	5%	1/10W	R9774	1-216-864-11	SHORT CHIP	0		
R9704	1-216-029-00	RES-CHIP	150	5%	1/10W	R9775	1-218-827-11	METAL CHIP	150	0.5%	1/10W
R9705	1-216-029-00	RES-CHIP	150	5%	1/10W	R9776	1-218-827-11	METAL CHIP	150	0.5%	1/10W
R9706	1-216-029-00	RES-CHIP	150	5%	1/10W	R9777	1-218-827-11	METAL CHIP	150	0.5%	1/10W
R9707	1-216-029-00	RES-CHIP	150	5%	1/10W	R9778	1-218-827-11	METAL CHIP	150	0.5%	1/10W

REF.NO.	PART NO.	DESCRIPTION	REMARK	REF.NO.	PART NO.	DESCRIPTION	REMARK
R9779	1-218-827-11	METAL CHIP 150	0.5% 1/10W	VDR010	1-803-974-21	VARISTOR, CHIP	(1608)
R9780	1-218-827-11	METAL CHIP 150	0.5% 1/10W	VDR011	1-803-974-21	VARISTOR, CHIP	(1608)
R9781	1-216-833-11	METAL CHIP 10K	5% 1/10W			< CRYSTAL >	
R9782	1-216-833-11	METAL CHIP 10K	5% 1/10W				
		< RESISTOR CHIP >		X1000	1-795-537-21	VIBRATOR, CRYSTAL	
RB1000	1-234-371-21	RES, NETWORK 47	(1005X4)	X2500	1-781-730-11	VIBRATOR, CRYSTAL	
RB1001	1-234-371-21	RES, NETWORK 47	(1005X4)	X5000	1-795-790-11	VIBRATOR, CRYSTAL	
RB1002	1-234-372-21	RES, NETWORK 100	(1005X4)	X7800	1-795-612-11	VIBRATOR, CRYSTAL	
RB1003	1-234-372-21	RES, NETWORK 100	(1005X4)			<b>* A-1151-409-B N COMPLETE LE4B (ZAPPING)</b>	
RB1004	1-234-372-21	RES, NETWORK 100	(1005X4)			2-580-625-01	SCREW, +B M2X8
RB1005	1-234-371-21	RES, NETWORK 47	(1005X4)			4-204-791-01	SCREW + B, 2X8
RB1006	1-234-371-21	RES, NETWORK 47	(1005X4)	A3300	* 1-815-640-21	CONNECTOR, CARD (PCMCIA CARD)	
RB1007	1-234-372-21	RES, NETWORK 100	(1005X4)			< CAPACITOR >	
RB1008	1-234-377-21	RES, NETWORK 4.7K	(1005X4)	C3100	1-165-908-11	CERAMIC CHIP 1UF	10% 10V
RB1009	1-234-377-21	RES, NETWORK 4.7K	(1005X4)	C3101	1-126-206-11	ELECT CHIP 100UF	20.00% 6.3V
RB1010	1-234-372-21	RES, NETWORK 100	(1005X4)	C3102	1-165-908-11	CERAMIC CHIP 1UF	10% 10V
RB1011	1-234-372-21	RES, NETWORK 100	(1005X4)	C3103	1-125-777-11	CERAMIC CHIP 0.1UF	10.00% 10V
RB1012	1-234-371-21	RES, NETWORK 47	(1005X4)	C3104	1-125-777-11	CERAMIC CHIP 0.1UF	10.00% 10V
RB1013	1-234-371-21	RES, NETWORK 47	(1005X4)	C3105	1-125-777-11	CERAMIC CHIP 0.1UF	10.00% 10V
RB1014	1-234-372-21	RES, NETWORK 100	(1005X4)	C3106	1-125-777-11	CERAMIC CHIP 0.1UF	10.00% 10V
RB1015	1-234-372-21	RES, NETWORK 100	(1005X4)	C3107	1-125-777-11	CERAMIC CHIP 0.1UF	10.00% 10V
RB1016	1-234-372-21	RES, NETWORK 100	(1005X4)	C3108	1-125-777-11	CERAMIC CHIP 0.1UF	10.00% 10V
RB1017	1-234-372-21	RES, NETWORK 100	(1005X4)	C3109	1-100-597-91	CERAMIC CHIP 0.1UF	10% 25V
RB4703	1-234-370-21	RES, NETWORK 22	(1005X4)	C3110	1-100-597-91	CERAMIC CHIP 0.1UF	10% 25V
RB4704	1-234-370-21	RES, NETWORK 22	(1005X4)	C3111	1-100-597-91	CERAMIC CHIP 0.1UF	10% 25V
RB4705	1-234-370-21	RES, NETWORK 22	(1005X4)	C3112	1-100-597-91	CERAMIC CHIP 0.1UF	10% 25V
RB4706	1-234-370-21	RES, NETWORK 22	(1005X4)	C3113	1-100-597-91	CERAMIC CHIP 0.1UF	10% 25V
RB5500	1-234-370-21	RES, NETWORK 22	(1005X4)	C3114	1-100-597-91	CERAMIC CHIP 0.1UF	10% 25V
RB5501	1-234-370-21	RES, NETWORK 22	(1005X4)	C3115	1-100-597-91	CERAMIC CHIP 0.1UF	10% 25V
RB5502	1-234-370-21	RES, NETWORK 22	(1005X4)	C3116	1-100-597-91	CERAMIC CHIP 0.1UF	10% 25V
RB5503	1-234-370-21	RES, NETWORK 22	(1005X4)	C3117	1-100-597-91	CERAMIC CHIP 0.1UF	10% 25V
RB5504	1-234-370-21	RES, NETWORK 22	(1005X4)	C3118	1-117-720-11	CERAMIC CHIP 4.7UF	10V
RB5505	1-234-370-21	RES, NETWORK 22	(1005X4)	C3119	1-100-597-91	CERAMIC CHIP 0.1UF	10% 25V
RB5506	1-234-370-21	RES, NETWORK 22	(1005X4)	C3120	1-100-597-91	CERAMIC CHIP 0.1UF	10% 25V
RB5507	1-234-370-21	RES, NETWORK 22	(1005X4)	C3121	1-100-597-91	CERAMIC CHIP 0.1UF	10% 25V
RB5509	1-234-370-21	RES, NETWORK 22	(1005X4)	C3122	1-125-777-11	CERAMIC CHIP 0.1UF	10.00% 10V
RB5510	1-234-370-21	RES, NETWORK 22	(1005X4)	C3123	1-100-597-91	CERAMIC CHIP 0.1UF	10% 25V
RB5511	1-234-370-21	RES, NETWORK 22	(1005X4)	C3124	1-125-777-11	CERAMIC CHIP 0.1UF	10.00% 10V
RB5512	1-234-370-21	RES, NETWORK 22	(1005X4)	C3125	1-100-597-91	CERAMIC CHIP 0.1UF	10% 25V
		< VARISTOR >		C3126	1-100-597-91	CERAMIC CHIP 0.1UF	10% 25V
VD012	1-803-974-21	VARISTOR, CHIP	(1608)	C3127	1-100-597-91	CERAMIC CHIP 0.1UF	10% 25V
VD013	1-803-974-21	VARISTOR, CHIP	(1608)	C3128	1-100-597-91	CERAMIC CHIP 0.1UF	10% 25V
VDR004	1-803-974-21	VARISTOR, CHIP	(1608)	C3129	1-100-597-91	CERAMIC CHIP 0.1UF	10% 25V
VDR005	1-803-974-21	VARISTOR, CHIP	(1608)	C3130	1-100-597-91	CERAMIC CHIP 0.1UF	10% 25V
VDR006	1-803-974-21	VARISTOR, CHIP	(1608)	C3131	1-100-597-91	CERAMIC CHIP 0.1UF	10% 25V
VDR007	1-803-974-21	VARISTOR, CHIP	(1608)	C3132	1-164-850-11	CERAMIC CHIP 10PF	0.50PF 50V
VDR008	1-803-974-21	VARISTOR, CHIP	(1608)	C3133	1-100-597-91	CERAMIC CHIP 0.1UF	10% 25V
VDR009	1-803-974-21	VARISTOR, CHIP	(1608)				



REF.NO.	PART NO.	DESCRIPTION	REMARK	REF.NO.	PART NO.	DESCRIPTION	REMARK
C3134	1-100-597-91	CERAMIC CHIP 0.1UF	10% 25V	C3400	1-100-611-91	CERAMIC CHIP 22UF	20% 6.3V
C3135	1-100-597-91	CERAMIC CHIP 0.1UF	10% 25V	C3402	1-125-777-11	CERAMIC CHIP 0.1UF	10.00% 10V
C3136	1-125-777-11	CERAMIC CHIP 0.1UF	10.00% 10V	C3403	1-125-777-11	CERAMIC CHIP 0.1UF	10.00% 10V
C3137	1-125-777-11	CERAMIC CHIP 0.1UF	10.00% 10V	C3404	1-164-943-81	CERAMIC CHIP 0.01UF	10.00% 16V
C3138	1-165-908-11	CERAMIC CHIP 1UF	10% 10V	C3405	1-125-777-11	CERAMIC CHIP 0.1UF	10.00% 10V
C3200	1-125-777-11	CERAMIC CHIP 0.1UF	10.00% 10V	C3406	1-100-597-91	CERAMIC CHIP 0.1UF	10% 25V
C3201	1-117-720-11	CERAMIC CHIP 4.7UF	10V	C3407	1-124-779-00	ELECT CHIP 10UF	20.00% 16V
C3202	1-125-777-11	CERAMIC CHIP 0.1UF	10.00% 10V	C3408	1-125-777-11	CERAMIC CHIP 0.1UF	10.00% 10V
C3203	1-125-777-11	CERAMIC CHIP 0.1UF	10.00% 10V	C3409	1-124-779-00	ELECT CHIP 10UF	20.00% 16V
C3204	1-164-846-11	CERAMIC CHIP 6PF	0.50PF 50V	C3410	1-125-777-11	CERAMIC CHIP 0.1UF	10.00% 10V
C3205	1-125-777-11	CERAMIC CHIP 0.1UF	10.00% 10V	C3411	1-164-850-11	CERAMIC CHIP 10PF	0.50PF 50V
C3206	1-165-908-11	CERAMIC CHIP 1UF	10% 10V	C3412	1-126-206-11	ELECT CHIP 100UF	20.00% 6.3V
C3207	1-125-777-11	CERAMIC CHIP 0.1UF	10.00% 10V	C3413	1-126-206-11	ELECT CHIP 100UF	20.00% 6.3V
C3208	1-125-777-11	CERAMIC CHIP 0.1UF	10.00% 10V	C3414	1-125-777-11	CERAMIC CHIP 0.1UF	10.00% 10V
C3209	1-125-777-11	CERAMIC CHIP 0.1UF	10.00% 10V	C3415	1-125-777-11	CERAMIC CHIP 0.1UF	10.00% 10V
C3210	1-125-777-11	CERAMIC CHIP 0.1UF	10.00% 10V	C3416	1-125-777-11	CERAMIC CHIP 0.1UF	10.00% 10V
C3211	1-117-720-11	CERAMIC CHIP 4.7UF	10V	C3417	1-125-777-11	CERAMIC CHIP 0.1UF	10.00% 10V
C3212	1-126-206-11	ELECT CHIP 100UF	20.00% 6.3V	C3418	1-125-777-11	CERAMIC CHIP 0.1UF	10.00% 10V
C3213	1-164-846-11	CERAMIC CHIP 6PF	0.50PF 50V	C3419	1-164-874-11	CERAMIC CHIP 100PF	5.00% 50V
C3214	1-125-777-11	CERAMIC CHIP 0.1UF	10.00% 10V	C3420	1-164-874-11	CERAMIC CHIP 100PF	5.00% 50V
C3215	1-164-937-11	CERAMIC CHIP 0.001UF	10.00% 50V	C3421	1-117-720-11	CERAMIC CHIP 4.7UF	10V
C3216	1-125-777-11	CERAMIC CHIP 0.1UF	10.00% 10V	C3422	1-117-720-11	CERAMIC CHIP 4.7UF	10V
C3217	1-117-720-11	CERAMIC CHIP 4.7UF	10V	C3423	1-125-777-11	CERAMIC CHIP 0.1UF	10.00% 10V
C3218	1-125-777-11	CERAMIC CHIP 0.1UF	10.00% 10V	C3424	1-100-597-91	CERAMIC CHIP 0.1UF	10% 25V
C3219	1-125-777-11	CERAMIC CHIP 0.1UF	10.00% 10V	C3425	1-124-779-00	ELECT CHIP 10UF	20.00% 16V
C3220	1-125-777-11	CERAMIC CHIP 0.1UF	10.00% 10V	C3426	1-125-777-11	CERAMIC CHIP 0.1UF	10.00% 10V
C3230	1-164-937-11	CERAMIC CHIP 0.001UF	10.00% 50V	C3427	1-125-777-11	CERAMIC CHIP 0.1UF	10.00% 10V
C3300	1-117-720-11	CERAMIC CHIP 4.7UF	10V	C3428	1-125-777-11	CERAMIC CHIP 0.1UF	10.00% 10V
C3301	1-125-777-11	CERAMIC CHIP 0.1UF	10.00% 10V	C3429	1-125-777-11	CERAMIC CHIP 0.1UF	10.00% 10V
C3303	1-125-777-11	CERAMIC CHIP 0.1UF	10.00% 10V	C3430	1-125-777-11	CERAMIC CHIP 0.1UF	10.00% 10V
C3304	1-125-777-11	CERAMIC CHIP 0.1UF	10.00% 10V	C3431	1-125-777-11	CERAMIC CHIP 0.1UF	10.00% 10V
C3306	1-125-777-11	CERAMIC CHIP 0.1UF	10.00% 10V	C3432	1-125-777-11	CERAMIC CHIP 0.1UF	10.00% 10V
C3307	1-117-720-11	CERAMIC CHIP 4.7UF	10V	C3433	1-100-354-21	ELECT CHIP 220UF	20% 6.3V
C3308	1-125-777-11	CERAMIC CHIP 0.1UF	10.00% 10V	C3434	1-126-206-11	ELECT CHIP 100UF	20.00% 6.3V
C3309	1-125-777-11	CERAMIC CHIP 0.1UF	10.00% 10V	C3435	1-126-206-11	ELECT CHIP 100UF	20.00% 6.3V
C3310	1-125-777-11	CERAMIC CHIP 0.1UF	10.00% 10V	C3436	1-126-206-11	ELECT CHIP 100UF	20.00% 6.3V
C3311	1-125-777-11	CERAMIC CHIP 0.1UF	10.00% 10V	C3438	1-165-908-11	CERAMIC CHIP 1UF	10% 10V
C3312	1-125-777-11	CERAMIC CHIP 0.1UF	10.00% 10V	C3439	1-125-777-11	CERAMIC CHIP 0.1UF	10.00% 10V
C3313	1-125-777-11	CERAMIC CHIP 0.1UF	10.00% 10V	C3440	1-165-908-11	CERAMIC CHIP 1UF	10% 10V
C3314	1-125-777-11	CERAMIC CHIP 0.1UF	10.00% 10V	C3441	1-165-908-11	CERAMIC CHIP 1UF	10% 10V
C3315	1-125-777-11	CERAMIC CHIP 0.1UF	10.00% 10V	C3442	1-100-597-91	CERAMIC CHIP 0.1UF	10% 25V
C3316	1-125-777-11	CERAMIC CHIP 0.1UF	10.00% 10V	C3443	1-100-597-91	CERAMIC CHIP 0.1UF	10% 25V
C3317	1-125-777-11	CERAMIC CHIP 0.1UF	10.00% 10V	C3444	1-100-611-91	CERAMIC CHIP 22UF	20% 6.3V
C3318	1-125-777-11	CERAMIC CHIP 0.1UF	10.00% 10V	C3445	1-100-611-91	CERAMIC CHIP 22UF	20% 6.3V
C3320	1-117-720-11	CERAMIC CHIP 4.7UF	10V	C3446	1-100-611-91	CERAMIC CHIP 22UF	20% 6.3V
C3321	1-125-777-11	CERAMIC CHIP 0.1UF	10.00% 10V	C3447	1-125-777-11	CERAMIC CHIP 0.1UF	10.00% 10V
C3322	1-164-937-11	CERAMIC CHIP 0.001UF	10.00% 50V	C3448	1-125-777-11	CERAMIC CHIP 0.1UF	10.00% 10V
C3323	1-125-777-11	CERAMIC CHIP 0.1UF	10.00% 10V	C3449	1-125-777-11	CERAMIC CHIP 0.1UF	10.00% 10V
C3324	1-125-777-11	CERAMIC CHIP 0.1UF	10.00% 10V	C3450	1-164-850-11	CERAMIC CHIP 10PF	0.50PF 50V
C3326	1-125-777-11	CERAMIC CHIP 0.1UF	10.00% 10V	C3451	1-164-850-11	CERAMIC CHIP 10PF	0.50PF 50V



REF.NO.	PART NO.	DESCRIPTION	REMARK	REF.NO.	PART NO.	DESCRIPTION	REMARK
C3452	1-164-850-11	CERAMIC CHIP 10PF	0.50PF 50V	C3809	1-125-777-11	CERAMIC CHIP 0.1UF	10.00% 10V
C3504	1-125-777-11	CERAMIC CHIP 0.1UF	10.00% 10V	C3810	1-125-777-11	CERAMIC CHIP 0.1UF	10.00% 10V
C3509	1-117-720-11	CERAMIC CHIP 4.7UF	10V	C3811	1-164-935-11	CERAMIC CHIP 470PF	10.00% 50V
C3513	1-126-206-11	ELECT CHIP 100UF	20.00% 6.3V	C3812	1-125-777-11	CERAMIC CHIP 0.1UF	10.00% 10V
C3514	1-125-777-11	CERAMIC CHIP 0.1UF	10.00% 10V	C3813	1-125-777-11	CERAMIC CHIP 0.1UF	10.00% 10V
C3518	1-125-777-11	CERAMIC CHIP 0.1UF	10.00% 10V	C3814	1-125-777-11	CERAMIC CHIP 0.1UF	10.00% 10V
C3520	1-125-777-11	CERAMIC CHIP 0.1UF	10.00% 10V	C3816	1-125-777-11	CERAMIC CHIP 0.1UF	10.00% 10V
C3521	1-125-777-11	CERAMIC CHIP 0.1UF	10.00% 10V	C3817	1-125-777-11	CERAMIC CHIP 0.1UF	10.00% 10V
C3522	1-125-777-11	CERAMIC CHIP 0.1UF	10.00% 10V			< CONNECTOR >	
C3523	1-125-777-11	CERAMIC CHIP 0.1UF	10.00% 10V				
C3524	1-164-937-11	CERAMIC CHIP 0.001UF	10.00% 50V	CN3300	* 1-815-641-11	CONNECTOR, CARD (PCMCIA CARD)	
C3525	1-164-937-11	CERAMIC CHIP 0.001UF	10.00% 50V	CN3400	1-695-209-21	PIN, CONNECTOR (PC BOARD) 15P	
C3526	1-164-858-11	CERAMIC CHIP 22PF	5.00% 50V	CN3401	1-764-087-21	PIN, CONNECTOR (PC BOARD) 14P	
C3527	1-164-872-11	CERAMIC CHIP 82PF	5.00% 50V	CN3402	1-695-889-21	PIN, CONNECTOR (PC BOARD) 10P	
C3528	1-164-858-11	CERAMIC CHIP 22PF	5.00% 50V	CN3403	* 1-779-268-21	PIN, CONNECTOR (1.5MM) (SMD) 11P	
C3529	1-164-872-11	CERAMIC CHIP 82PF	5.00% 50V	CN3404	* 1-766-376-11	PIN, CONNECTOR (1.5MM) (SMD) 9P	
C3530	1-164-937-11	CERAMIC CHIP 0.001UF	10.00% 50V	CN3500	1-784-024-21	JACK 10P	
C3531	1-164-937-11	CERAMIC CHIP 0.001UF	10.00% 50V	CN3503	* 1-764-080-21	PIN, CONNECTOR (PC BOARD) 8P	
C3532	1-164-874-11	CERAMIC CHIP 100PF	5.00% 50V			< DIODE >	
C3533	1-164-943-81	CERAMIC CHIP 0.01UF	10.00% 16V	D3400	8-719-070-20	DIODE RB706F-40	
C3534	1-164-943-81	CERAMIC CHIP 0.01UF	10.00% 16V	D3401	8-719-070-20	DIODE RB706F-40	
C3535	1-164-943-81	CERAMIC CHIP 0.01UF	10.00% 16V	D3402	8-719-058-24	DIODE RB501V-40TE-17	
C3536	1-164-943-81	CERAMIC CHIP 0.01UF	10.00% 16V	D3500	6-501-233-01	DIODE BZA862AVL	
C3537	1-164-943-81	CERAMIC CHIP 0.01UF	10.00% 16V	D3501	6-501-233-01	DIODE BZA862AVL	
C3538	1-164-943-81	CERAMIC CHIP 0.01UF	10.00% 16V	D3502	6-501-233-01	DIODE BZA862AVL	
C3539	1-125-777-11	CERAMIC CHIP 0.1UF	10.00% 10V	D3504	8-719-058-24	DIODE RB501V-40TE-17	
C3540	1-125-777-11	CERAMIC CHIP 0.1UF	10.00% 10V	D3800	8-719-066-11	DIODE 1PS184-115	
C3541	1-164-943-81	CERAMIC CHIP 0.01UF	10.00% 16V			< FERRITE BEAD >	
C3542	1-125-777-11	CERAMIC CHIP 0.1UF	10.00% 10V	FB3100	1-469-869-21	FERRITE 0UH	
C3543	1-164-943-81	CERAMIC CHIP 0.01UF	10.00% 16V	FB3101	1-469-869-21	FERRITE 0UH	
C3544	1-164-943-81	CERAMIC CHIP 0.01UF	10.00% 16V	FB3102	1-469-869-21	FERRITE 0UH	
C3545	1-164-943-81	CERAMIC CHIP 0.01UF	10.00% 16V	FB3103	1-400-833-21	FERRITE 0UH	
C3546	1-164-943-81	CERAMIC CHIP 0.01UF	10.00% 16V	FB3104	1-469-869-21	FERRITE 0UH	
C3547	1-164-943-81	CERAMIC CHIP 0.01UF	10.00% 16V	FB3105	1-400-833-21	FERRITE 0UH	
C3548	1-164-943-81	CERAMIC CHIP 0.01UF	10.00% 16V	FB3106	1-400-833-21	FERRITE 0UH	
C3549	1-164-943-81	CERAMIC CHIP 0.01UF	10.00% 16V	FB3107	1-400-833-21	FERRITE 0UH	
C3550	1-164-943-81	CERAMIC CHIP 0.01UF	10.00% 16V	FB3108	1-400-833-21	FERRITE 0UH	
C3551	1-164-943-81	CERAMIC CHIP 0.01UF	10.00% 16V	FB3109	1-400-833-21	FERRITE 0UH	
C3552	1-164-860-11	CERAMIC CHIP 27PF	5.00% 50V	FB3110	1-400-833-21	FERRITE 0UH	
C3553	1-164-860-11	CERAMIC CHIP 27PF	5.00% 50V	FB3111	1-400-833-21	FERRITE 0UH	
C3570	1-125-777-11	CERAMIC CHIP 0.1UF	10.00% 10V	FB3112	1-400-833-21	FERRITE 0UH	
C3571	1-125-777-11	CERAMIC CHIP 0.1UF	10.00% 10V	FB3200	1-400-244-11	FERRITE 0UH	
C3800	1-125-777-11	CERAMIC CHIP 0.1UF	10.00% 10V	FB3201	1-400-244-11	FERRITE 0UH	
C3801	1-125-777-11	CERAMIC CHIP 0.1UF	10.00% 10V	FB3300	1-469-869-21	FERRITE 0UH	
C3802	1-124-779-00	ELECT CHIP 10UF	20.00% 16V	FB3301	1-469-869-21	FERRITE 0UH	
C3804	1-125-777-11	CERAMIC CHIP 0.1UF	10.00% 10V	FB3400	1-400-244-11	FERRITE 0UH	
C3805	1-125-777-11	CERAMIC CHIP 0.1UF	10.00% 10V	FB3401	1-400-244-11	FERRITE 0UH	
C3806	1-125-777-11	CERAMIC CHIP 0.1UF	10.00% 10V	FB3402	1-400-244-11	FERRITE 0UH	
C3807	1-125-777-11	CERAMIC CHIP 0.1UF	10.00% 10V				
C3808	1-125-777-11	CERAMIC CHIP 0.1UF	10.00% 10V				



REF.NO.	PART NO.	DESCRIPTION	REMARK	REF.NO.	PART NO.	DESCRIPTION	REMARK
FB3403	1-469-458-91	FERRITE	OUH	IC3200	6-707-809-01	IC EDD1216AATA-6B-E	
FB3404	1-469-869-21	FERRITE	OUH	IC3201	6-705-271-01	IC KA5SDKASO1TSL	
FB3405	1-469-869-21	FERRITE	OUH	IC3206	6-704-621-01	IC TC58DVM72A1TG00	
FB3406	1-469-869-21	FERRITE	OUH	IC3301	8-759-644-48	IC 74LVC541APW	
FB3407	1-469-869-21	FERRITE	OUH	IC3302	8-759-644-48	IC 74LVC541APW	
FB3408	1-400-461-21	FERRITE	OUH	IC3303	8-759-564-22	IC 74LVC00-PW	
FB3409	1-400-461-21	FERRITE	OUH	IC3304	8-759-644-48	IC 74LVC541APW	
FB3410	1-400-461-21	FERRITE	OUH	IC3305	8-759-644-48	IC 74LVC541APW	
FB3411	1-400-461-21	FERRITE	OUH	IC3306	8-759-644-48	IC 74LVC541APW	
FB3412	1-400-834-11	FERRITE	OUH	IC3307	8-759-298-91	IC 74LVT245PW-T	
FB3413	1-400-834-11	FERRITE	OUH	IC3308	8-759-644-48	IC 74LVC541APW	
FB3414	1-400-834-11	FERRITE	OUH	IC3309	8-759-644-48	IC 74LVC541APW	
FB3415	1-400-834-11	FERRITE	OUH	IC3310	8-759-644-48	IC 74LVC541APW	
FB3416	1-400-834-11	FERRITE	OUH	IC3311	8-759-298-91	IC 74LVT245PW-T	
FB3417	1-400-834-11	FERRITE	OUH	IC3312	8-759-644-48	IC 74LVC541APW	
FB3418	1-400-834-11	FERRITE	OUH	IC3313	8-759-644-48	IC 74LVC541APW	
FB3419	1-400-834-11	FERRITE	OUH	IC3314	8-759-644-48	IC 74LVC541APW	
FB3420	1-400-834-11	FERRITE	OUH	IC3315	8-759-564-09	IC 74LVC32A-PW	
FB3501	1-469-458-91	FERRITE	OUH	IC3316	6-708-132-01	IC 74LVC14APW	
FB3502	1-469-458-91	FERRITE	OUH	IC3400	6-707-808-01	IC WM8727GED/RV	
FB3503	1-400-244-11	FERRITE	OUH	IC3401	8-759-701-40	IC NJM3404AM-T1	
FB3504	1-400-244-11	FERRITE	OUH	IC3402	6-705-403-01	IC PQ070XZ01ZPH	
FB3505	1-400-244-11	FERRITE	OUH	IC3403	6-705-403-01	IC PQ070XZ01ZPH	
FB3507	1-400-244-11	FERRITE	OUH	IC3404	6-705-789-01	IC LM3526MX-H/J5000396	
FB3509	1-414-772-11	FERRITE	OUH	IC3502	8-759-644-48	IC 74LVC541APW	
FB3546	1-400-244-11	FERRITE	OUH	IC3504	8-753-212-44	IC CXD1976R-T6	
FB3547	1-400-244-11	FERRITE	OUH	IC3800	6-703-175-01	IC PST3629UL	
FB3548	1-400-244-11	FERRITE	OUH	IC3801	8-759-670-18	IC 74LVC273PW	
FB3549	1-400-244-11	FERRITE	OUH	IC3802	8-759-670-18	IC 74LVC273PW	
FB3550	1-400-244-11	FERRITE	OUH	IC3803	6-706-487-01	IC TC7SH08FU(T5RSOYJF)	
FB3551	1-400-244-11	FERRITE	OUH	IC3804	8-759-564-09	IC 74LVC32A-PW	
FB3552	1-400-244-11	FERRITE	OUH	IC3805	8-759-564-91	IC 74LVC08APW	
FB3553	1-400-244-11	FERRITE	OUH	IC3806	6-706-487-01	IC TC7SH08FU(T5RSOYJF)	
FB3554	1-469-869-21	FERRITE	OUH	IC3807	6-704-067-01	IC M24128-BWMN6T(A)	
FB3555	1-469-869-21	FERRITE	OUH				
						< COIL >	
FB3557	1-400-244-11	FERRITE	OUH	L3100	1-400-859-41	INDUCTOR	0.82UH
FB3800	1-400-244-11	FERRITE	OUH	L3500	1-412-006-31	INDUCTOR	10UH
FB3801	1-400-244-11	FERRITE	OUH	L3501	1-469-842-21	INDUCTOR	0.47UH
FB3802	1-400-244-11	FERRITE	OUH	L3502	1-410-981-42	INDUCTOR	0.1UH
FB3803	1-400-244-11	FERRITE	OUH	L3503	1-410-981-42	INDUCTOR	0.1UH
FB3804	1-400-244-11	FERRITE	OUH				
FB3805	1-400-244-11	FERRITE	OUH	L3504	1-410-981-42	INDUCTOR	0.1UH
FB3806	1-400-244-11	FERRITE	OUH				
						< TRANSISTOR >	
				Q3400	6-550-237-01	TRANSISTOR 2SC5658T2LQ/R	
				Q3401	6-550-237-01	TRANSISTOR 2SC5658T2LQ/R	
				Q3402	6-550-237-01	TRANSISTOR 2SC5658T2LQ/R	
				Q3403	6-550-232-01	TRANSISTOR 2SA2029T2LQ/R	
				Q3404	6-550-237-01	TRANSISTOR 2SC5658T2LQ/R	
IC3100	6-702-498-21	IC UPD61120AF1-100-JN1-A					
						< FILTER >	
FL3500	1-239-899-21	FERRITE	OUH				
						< IC >	



REF.NO.	PART NO.	DESCRIPTION	REMARK	REF.NO.	PART NO.	DESCRIPTION	REMARK
Q3405	6-550-232-01	TRANSISTOR 2SA2029T2LQ/R		R3135	1-218-937-11	RES-CHIP 47 5%	1/16W
Q3406	6-550-237-01	TRANSISTOR 2SC5658T2LQ/R		R3136	1-218-937-11	RES-CHIP 47 5%	1/16W
Q3407	6-550-237-01	TRANSISTOR 2SC5658T2LQ/R		R3137	1-218-937-11	RES-CHIP 47 5%	1/16W
Q3408	6-550-237-01	TRANSISTOR 2SC5658T2LQ/R		R3141	1-218-937-11	RES-CHIP 47 5%	1/16W
Q3409	6-550-237-01	TRANSISTOR 2SC5658T2LQ/R		R3145	1-218-937-11	RES-CHIP 47 5%	1/16W
Q3410	6-550-232-01	TRANSISTOR 2SA2029T2LQ/R		R3146	1-218-990-81	SHORT CHIP 0	
Q3411	6-550-232-01	TRANSISTOR 2SA2029T2LQ/R		R3147	1-218-937-11	RES-CHIP 47 5%	1/16W
Q3412	6-550-237-01	TRANSISTOR 2SC5658T2LQ/R		R3148	1-218-937-11	RES-CHIP 47 5%	1/16W
Q3504	8-729-027-43	TRANSISTOR DTC114EKA-T146		R3149	1-218-937-11	RES-CHIP 47 5%	1/16W
Q3800	8-729-027-43	TRANSISTOR DTC114EKA-T146		R3156	1-218-937-11	RES-CHIP 47 5%	1/16W
Q3801	8-729-027-43	TRANSISTOR DTC114EKA-T146		R3157	1-218-965-11	RES-CHIP 10K 5%	1/16W
Q3804	8-729-027-43	TRANSISTOR DTC114EKA-T146		R3160	1-218-937-11	RES-CHIP 47 5%	1/16W
Q3805	8-729-027-43	TRANSISTOR DTC114EKA-T146		R3200	1-218-941-11	RES-CHIP 100 5%	1/16W
Q3806	6-550-237-01	TRANSISTOR 2SC5658T2LQ/R		R3201	1-218-941-11	RES-CHIP 100 5%	1/16W
Q3808	6-550-232-01	TRANSISTOR 2SA2029T2LQ/R		R3202	1-218-939-11	RES-CHIP 68 5%	1/16W
< RESISTOR >				R3203	1-218-941-81	RES-CHIP 100 5%	1/16W
R3100	1-218-937-11	RES-CHIP 47 5%	1/16W	R3204	1-218-941-81	RES-CHIP 100 5%	1/16W
R3101	1-218-941-81	RES-CHIP 100 5%	1/16W	R3205	1-218-937-11	RES-CHIP 47 5%	1/16W
R3102	1-218-937-11	RES-CHIP 47 5%	1/16W	R3206	1-218-953-11	RES-CHIP 1K 5%	1/16W
R3103	1-218-937-11	RES-CHIP 47 5%	1/16W	R3211	1-218-957-11	RES-CHIP 2.2K 5%	1/16W
R3104	1-218-937-11	RES-CHIP 47 5%	1/16W	R3212	1-218-957-11	RES-CHIP 2.2K 5%	1/16W
R3105	1-218-937-11	RES-CHIP 47 5%	1/16W	R3213	1-218-957-11	RES-CHIP 2.2K 5%	1/16W
R3106	1-218-937-11	RES-CHIP 47 5%	1/16W	R3214	1-218-957-11	RES-CHIP 2.2K 5%	1/16W
R3107	1-218-937-11	RES-CHIP 47 5%	1/16W	R3216	1-218-953-11	RES-CHIP 1K 5%	1/16W
R3108	1-218-937-11	RES-CHIP 47 5%	1/16W	R3218	1-218-953-11	RES-CHIP 1K 5%	1/16W
R3109	1-218-941-81	RES-CHIP 100 5%	1/16W	R3220	1-218-957-11	RES-CHIP 2.2K 5%	1/16W
R3110	1-218-937-11	RES-CHIP 47 5%	1/16W	R3222	1-218-953-11	RES-CHIP 1K 5%	1/16W
R3111	1-218-937-11	RES-CHIP 47 5%	1/16W	R3224	1-218-953-11	RES-CHIP 1K 5%	1/16W
R3112	1-218-937-11	RES-CHIP 47 5%	1/16W	R3227	1-218-953-11	RES-CHIP 1K 5%	1/16W
R3113	1-218-937-11	RES-CHIP 47 5%	1/16W	R3229	1-218-953-11	RES-CHIP 1K 5%	1/16W
R3114	1-218-937-11	RES-CHIP 47 5%	1/16W	R3230	1-218-953-11	RES-CHIP 1K 5%	1/16W
R3115	1-218-941-81	RES-CHIP 100 5%	1/16W	R3232	1-218-953-11	RES-CHIP 1K 5%	1/16W
R3116	1-218-937-11	RES-CHIP 47 5%	1/16W	R3234	1-218-953-11	RES-CHIP 1K 5%	1/16W
R3117	1-218-937-11	RES-CHIP 47 5%	1/16W	R3236	1-218-953-11	RES-CHIP 1K 5%	1/16W
R3118	1-218-937-11	RES-CHIP 47 5%	1/16W	R3238	1-218-953-11	RES-CHIP 1K 5%	1/16W
R3119	1-218-965-11	RES-CHIP 10K 5%	1/16W	R3239	1-218-965-11	RES-CHIP 10K 5%	1/16W
R3120	1-218-937-11	RES-CHIP 47 5%	1/16W	R3240	1-218-939-11	RES-CHIP 68 5%	1/16W
R3121	1-218-937-11	RES-CHIP 47 5%	1/16W	R3242	1-218-941-81	RES-CHIP 100 5%	1/16W
R3122	1-218-937-11	RES-CHIP 47 5%	1/16W	R3251	1-218-949-11	RES-CHIP 470 5%	1/16W
R3123	1-218-937-11	RES-CHIP 47 5%	1/16W	R3262	1-218-953-11	RES-CHIP 1K 5%	1/16W
R3124	1-218-961-11	RES-CHIP 4.7K 5%	1/16W	R3303	1-218-953-11	RES-CHIP 1K 5%	1/16W
R3125	1-218-961-11	RES-CHIP 4.7K 5%	1/16W	R3306	1-218-941-81	RES-CHIP 100 5%	1/16W
R3126	1-218-937-11	RES-CHIP 47 5%	1/16W	R3308	1-218-941-81	RES-CHIP 100 5%	1/16W
R3127	1-218-937-11	RES-CHIP 47 5%	1/16W	R3310	1-218-965-11	RES-CHIP 10K 5%	1/16W
R3129	1-218-941-81	RES-CHIP 100 5%	1/16W	R3311	1-218-965-11	RES-CHIP 10K 5%	1/16W
R3130	1-218-941-81	RES-CHIP 100 5%	1/16W	R3312	1-218-965-11	RES-CHIP 10K 5%	1/16W
R3131	1-218-937-11	RES-CHIP 47 5%	1/16W	R3313	1-218-965-11	RES-CHIP 10K 5%	1/16W
R3132	1-218-937-11	RES-CHIP 47 5%	1/16W	R3314	1-218-965-11	RES-CHIP 10K 5%	1/16W
R3133	1-218-937-11	RES-CHIP 47 5%	1/16W	R3317	1-218-961-11	RES-CHIP 4.7K 5%	1/16W
				R3318	1-218-965-11	RES-CHIP 10K 5%	1/16W

REF.NO.	PART NO.	DESCRIPTION	REMARK	REF.NO.	PART NO.	DESCRIPTION	REMARK
R3321	1-218-941-81	RES-CHIP	100 5% 1/16W	R3468	1-218-967-11	RES-CHIP	15K 5% 1/16W
R3324	1-218-941-81	RES-CHIP	100 5% 1/16W	R3469	1-218-949-11	RES-CHIP	470 5% 1/16W
R3325	1-218-937-11	RES-CHIP	47 5% 1/16W	R3470	1-208-675-11	METAL CHIP	470 0.5% 1/16W
R3400	1-218-966-11	RES-CHIP	12K 5% 1/16W	R3471	1-208-885-11	METAL CHIP	820 0.5% 1/16W
R3401	1-218-967-11	RES-CHIP	15K 5% 1/16W	R3472	1-218-949-11	RES-CHIP	470 5% 1/16W
R3406	1-218-949-11	RES-CHIP	470 5% 1/16W	R3473	1-208-675-11	METAL CHIP	470 0.5% 1/16W
R3407	1-208-675-11	METAL CHIP	470 0.5% 1/16W	R3474	1-208-885-11	METAL CHIP	820 0.5% 1/16W
R3408	1-208-885-11	METAL CHIP	820 0.5% 1/16W	R3475	1-218-949-11	RES-CHIP	470 5% 1/16W
R3415	1-208-675-11	METAL CHIP	470 0.5% 1/16W	R3478	1-208-675-11	METAL CHIP	470 0.5% 1/16W
R3421	1-218-990-81	SHORT CHIP	0	R3479	1-208-885-11	METAL CHIP	820 0.5% 1/16W
R3422	1-218-937-11	RES-CHIP	47 5% 1/16W	R3480	1-218-941-81	RES-CHIP	100 5% 1/16W
R3423	1-218-937-11	RES-CHIP	47 5% 1/16W	R3481	1-218-941-81	RES-CHIP	100 5% 1/16W
R3424	1-218-945-11	RES-CHIP	220 5% 1/16W	R3482	1-218-948-11	RES-CHIP	390 5% 1/16W
R3427	1-218-949-11	RES-CHIP	470 5% 1/16W	R3483	1-218-948-11	RES-CHIP	390 5% 1/16W
R3428	1-218-949-11	RES-CHIP	470 5% 1/16W	R3484	1-216-001-00	RES-CHIP	10 5% 1/10W
R3429	1-218-949-11	RES-CHIP	470 5% 1/16W	R3485	1-218-990-81	SHORT CHIP	0
R3430	1-218-953-11	RES-CHIP	1K 5% 1/16W	R3486	1-218-948-11	RES-CHIP	390 5% 1/16W
R3433	1-218-937-11	RES-CHIP	47 5% 1/16W	R3487	1-218-945-11	RES-CHIP	220 5% 1/16W
R3434	1-218-937-11	RES-CHIP	47 5% 1/16W	R3488	1-218-945-11	RES-CHIP	220 5% 1/16W
R3435	1-218-937-11	RES-CHIP	47 5% 1/16W	R3489	1-218-945-11	RES-CHIP	220 5% 1/16W
R3436	1-218-937-11	RES-CHIP	47 5% 1/16W	R3490	1-218-967-11	RES-CHIP	15K 5% 1/16W
R3438	1-218-966-11	RES-CHIP	12K 5% 1/16W	R3491	1-218-967-11	RES-CHIP	15K 5% 1/16W
R3439	1-218-990-81	SHORT CHIP	0	R3492	1-218-953-11	RES-CHIP	1K 5% 1/16W
R3440	1-218-990-81	SHORT CHIP	0	R3493	1-218-941-81	RES-CHIP	100 5% 1/16W
R3441	1-218-937-11	RES-CHIP	47 5% 1/16W	R3500	1-216-295-91	SHORT CHIP	0
R3442	1-218-949-11	RES-CHIP	470 5% 1/16W	R3501	1-216-295-91	SHORT CHIP	0
R3444	1-208-683-11	METAL CHIP	1K 0.5% 1/16W	R3502	1-216-295-91	SHORT CHIP	0
R3445	1-208-683-11	METAL CHIP	1K 0.5% 1/16W	R3504	1-218-965-11	RES-CHIP	10K 5% 1/16W
R3446	1-218-972-11	RES-CHIP	39K 5% 1/16W	R3505	1-218-953-11	RES-CHIP	1K 5% 1/16W
R3447	1-218-972-11	RES-CHIP	39K 5% 1/16W	R3506	1-218-941-81	RES-CHIP	100 5% 1/16W
R3448	1-218-965-11	RES-CHIP	10K 5% 1/16W	R3507	1-218-941-81	RES-CHIP	100 5% 1/16W
R3449	1-218-967-11	RES-CHIP	15K 5% 1/16W	R3508	1-216-295-91	SHORT CHIP	0
R3450	1-218-965-11	RES-CHIP	10K 5% 1/16W	R3509	1-218-953-11	RES-CHIP	1K 5% 1/16W
R3451	1-218-967-11	RES-CHIP	15K 5% 1/16W	R3510	1-218-961-11	RES-CHIP	4.7K 5% 1/16W
R3452	1-218-967-11	RES-CHIP	15K 5% 1/16W	R3511	1-218-961-11	RES-CHIP	4.7K 5% 1/16W
R3453	1-218-967-11	RES-CHIP	15K 5% 1/16W	R3516	1-218-937-11	RES-CHIP	47 5% 1/16W
R3454	1-218-948-11	RES-CHIP	390 5% 1/16W	R3517	1-218-937-11	RES-CHIP	47 5% 1/16W
R3455	1-218-937-11	RES-CHIP	47 5% 1/16W	R3518	1-218-965-11	RES-CHIP	10K 5% 1/16W
R3456	1-218-967-11	RES-CHIP	15K 5% 1/16W	R3537	1-218-957-11	RES-CHIP	2.2K 5% 1/16W
R3457	1-208-683-11	METAL CHIP	1K 0.5% 1/16W	R3542	1-218-965-11	RES-CHIP	10K 5% 1/16W
R3458	1-218-941-11	RES-CHIP	100 5% 1/16W	R3543	1-218-957-11	RES-CHIP	2.2K 5% 1/16W
R3459	1-218-941-11	RES-CHIP	100 5% 1/16W	R3544	1-218-965-11	RES-CHIP	10K 5% 1/16W
R3460	1-208-683-11	METAL CHIP	1K 0.5% 1/16W	R3545	1-218-957-11	RES-CHIP	2.2K 5% 1/16W
R3461	1-218-965-11	RES-CHIP	10K 5% 1/16W	R3546	1-218-941-81	RES-CHIP	100 5% 1/16W
R3462	1-218-965-11	RES-CHIP	10K 5% 1/16W	R3547	1-218-941-81	RES-CHIP	100 5% 1/16W
R3463	1-218-953-11	RES-CHIP	1K 5% 1/16W	R3548	1-218-965-11	RES-CHIP	10K 5% 1/16W
R3464	1-218-953-11	RES-CHIP	1K 5% 1/16W	R3550	1-208-927-11	METAL CHIP	47K 0.5% 1/16W
R3465	1-218-966-11	RES-CHIP	12K 5% 1/16W	R3554	1-218-965-11	RES-CHIP	10K 5% 1/16W
R3466	1-218-967-11	RES-CHIP	15K 5% 1/16W	R3558	1-208-687-11	METAL CHIP	1.5K 0.5% 1/16W
R3467	1-218-966-11	RES-CHIP	12K 5% 1/16W	R3559	1-208-927-11	METAL CHIP	47K 0.5% 1/16W

REF.NO.	PART NO.	DESCRIPTION	REMARK	REF.NO.	PART NO.	DESCRIPTION	REMARK
R3560	1-218-937-11	RES-CHIP	47 5% 1/16W	R3822	1-218-965-11	RES-CHIP	10K 5% 1/16W
R3561	1-218-941-81	RES-CHIP	100 5% 1/16W	R3824	1-218-965-11	RES-CHIP	10K 5% 1/16W
R3562	1-218-941-81	RES-CHIP	100 5% 1/16W	R3825	1-218-965-11	RES-CHIP	10K 5% 1/16W
R3563	1-218-941-81	RES-CHIP	100 5% 1/16W	R3826	1-218-941-81	RES-CHIP	100 5% 1/16W
R3564	1-218-941-81	RES-CHIP	100 5% 1/16W	R3827	1-218-953-11	RES-CHIP	1K 5% 1/16W
R3565	1-218-941-81	RES-CHIP	100 5% 1/16W	R3828	1-218-941-81	RES-CHIP	100 5% 1/16W
R3566	1-218-989-11	RES-CHIP	1M 5% 1/16W	R3830	1-218-941-81	RES-CHIP	100 5% 1/16W
R3567	1-218-941-81	RES-CHIP	100 5% 1/16W	R3831	1-218-941-81	RES-CHIP	100 5% 1/16W
R3601	1-218-953-11	RES-CHIP	1K 5% 1/16W	R3832	1-218-990-81	SHORT CHIP	0
R3602	1-218-941-81	RES-CHIP	100 5% 1/16W	R3835	1-218-941-81	RES-CHIP	100 5% 1/16W
R3603	1-218-941-81	RES-CHIP	100 5% 1/16W	R3836	1-218-965-11	RES-CHIP	10K 5% 1/16W
R3604	1-218-965-11	RES-CHIP	10K 5% 1/16W	R3837	1-218-965-11	RES-CHIP	10K 5% 1/16W
R3609	1-218-941-81	RES-CHIP	100 5% 1/16W	R3838	1-218-965-11	RES-CHIP	10K 5% 1/16W
R3610	1-218-965-11	RES-CHIP	10K 5% 1/16W	R3839	1-218-953-11	RES-CHIP	1K 5% 1/16W
R3611	1-218-965-11	RES-CHIP	10K 5% 1/16W	R3840	1-218-965-11	RES-CHIP	10K 5% 1/16W
R3613	1-218-941-81	RES-CHIP	100 5% 1/16W	R3841	1-218-965-11	RES-CHIP	10K 5% 1/16W
R3616	1-218-965-11	RES-CHIP	10K 5% 1/16W	R3842	1-218-941-81	RES-CHIP	100 5% 1/16W
R3617	1-218-965-11	RES-CHIP	10K 5% 1/16W	R3843	1-218-941-81	RES-CHIP	100 5% 1/16W
R3620	1-218-941-81	RES-CHIP	100 5% 1/16W	R3844	1-218-941-81	RES-CHIP	100 5% 1/16W
R3621	1-218-941-81	RES-CHIP	100 5% 1/16W	R3846	1-218-949-11	RES-CHIP	470 5% 1/16W
R3623	1-218-965-11	RES-CHIP	10K 5% 1/16W	R3848	1-218-965-11	RES-CHIP	10K 5% 1/16W
R3629	1-218-965-11	RES-CHIP	10K 5% 1/16W	R3849	1-218-941-81	RES-CHIP	100 5% 1/16W
R3631	1-218-965-11	RES-CHIP	10K 5% 1/16W	R3850	1-218-953-11	RES-CHIP	1K 5% 1/16W
R3633	1-218-965-11	RES-CHIP	10K 5% 1/16W	R3852	1-218-941-81	RES-CHIP	100 5% 1/16W
R3635	1-218-965-11	RES-CHIP	10K 5% 1/16W	R3853	1-218-941-81	RES-CHIP	100 5% 1/16W
R3637	1-218-948-11	RES-CHIP	390 5% 1/16W	R3854	1-218-941-81	RES-CHIP	100 5% 1/16W
R3638	1-218-948-11	RES-CHIP	390 5% 1/16W	R3855	1-218-941-81	RES-CHIP	100 5% 1/16W
R3639	1-218-948-11	RES-CHIP	390 5% 1/16W	R3856	1-218-941-81	RES-CHIP	100 5% 1/16W
R3640	1-218-948-11	RES-CHIP	390 5% 1/16W	R3857	1-218-941-81	RES-CHIP	100 5% 1/16W
R3641	1-218-948-11	RES-CHIP	390 5% 1/16W	R3858	1-218-941-81	RES-CHIP	100 5% 1/16W
R3642	1-218-941-81	RES-CHIP	100 5% 1/16W	R3859	1-218-941-81	RES-CHIP	100 5% 1/16W
R3645	1-218-965-11	RES-CHIP	10K 5% 1/16W	R3861	1-218-941-81	RES-CHIP	100 5% 1/16W
R3646	1-218-965-11	RES-CHIP	10K 5% 1/16W	R3862	1-218-961-11	RES-CHIP	4.7K 5% 1/16W
R3647	1-218-965-11	RES-CHIP	10K 5% 1/16W	R3892	1-218-965-11	RES-CHIP	10K 5% 1/16W
R3800	1-218-969-11	RES-CHIP	22K 5% 1/16W	R3895	1-218-965-11	RES-CHIP	10K 5% 1/16W
R3801	1-218-953-11	RES-CHIP	1K 5% 1/16W	R3896	1-218-965-11	RES-CHIP	10K 5% 1/16W
R3802	1-218-941-81	RES-CHIP	100 5% 1/16W	R3899	1-218-965-11	RES-CHIP	10K 5% 1/16W
R3803	1-218-941-81	RES-CHIP	100 5% 1/16W	< RESISTOR CHIP >			
R3804	1-218-957-11	RES-CHIP	2.2K 5% 1/16W	RB3100	1-234-370-21	RES, NETWORK	22 (1005X4)
R3806	1-218-941-81	RES-CHIP	100 5% 1/16W	RB3101	1-234-370-21	RES, NETWORK	22 (1005X4)
R3809	1-218-941-81	RES-CHIP	100 5% 1/16W	RB3102	1-234-370-21	RES, NETWORK	22 (1005X4)
R3810	1-218-941-81	RES-CHIP	100 5% 1/16W	RB3103	1-234-370-21	RES, NETWORK	22 (1005X4)
R3814	1-218-941-81	RES-CHIP	100 5% 1/16W	RB3104	1-234-370-21	RES, NETWORK	22 (1005X4)
R3815	1-218-941-81	RES-CHIP	100 5% 1/16W	RB3105	1-234-370-21	RES, NETWORK	22 (1005X4)
R3816	1-218-941-81	RES-CHIP	100 5% 1/16W	RB3106	1-234-370-21	RES, NETWORK	22 (1005X4)
R3817	1-218-941-81	RES-CHIP	100 5% 1/16W	RB3107	1-234-370-21	RES, NETWORK	22 (1005X4)
R3818	1-218-941-81	RES-CHIP	100 5% 1/16W	RB3108	1-234-370-21	RES, NETWORK	22 (1005X4)
R3819	1-218-941-81	RES-CHIP	100 5% 1/16W	RB3109	1-234-370-21	RES, NETWORK	22 (1005X4)
R3820	1-218-941-81	RES-CHIP	100 5% 1/16W				
R3821	1-218-941-81	RES-CHIP	100 5% 1/16W				

Note : The components identified by shading and marked  $\Delta$  are critical for safety. Replace only with the part numbers specified in the parts list.



REF.NO.	PART NO.	DESCRIPTION	REMARK	REF.NO.	PART NO.	DESCRIPTION	REMARK
RB3110	1-234-370-21	RES, NETWORK 22	(1005X4)	C1039	1-165-176-11	CERAMIC CHIP 0.047UF	10.00% 16V
RB3200	1-234-372-21	RES, NETWORK 100	(1005X4)	C1040	1-135-372-31	ELECT 470UF	20% 10V
RB3201	1-234-372-21	RES, NETWORK 100	(1005X4)	C1103	1-162-927-11	CERAMIC CHIP 100PF	5.00% 50V
RB3202	1-234-372-21	RES, NETWORK 100	(1005X4)	C1104	1-162-927-11	CERAMIC CHIP 100PF	5.00% 50V
RB3203	1-234-702-11	RES, NETWORK 68	(1005X4)	C1106	1-164-156-11	CERAMIC CHIP 0.1UF	25V
RB3204	1-234-702-11	RES, NETWORK 68	(1005X4)	C1220	1-126-933-11	ELECT 100UF	20.00% 16V
RB3206	1-234-372-21	RES, NETWORK 100	(1005X4)	C1221	1-107-826-11	CERAMIC CHIP 0.1UF	10.00% 16V
RB3207	1-234-372-21	RES, NETWORK 100	(1005X4)	C1222	1-107-826-11	CERAMIC CHIP 0.1UF	10.00% 16V
RB3208	1-234-702-11	RES, NETWORK 68	(1005X4)	C1223	1-107-826-11	CERAMIC CHIP 0.1UF	10.00% 16V
RB3209	1-234-702-11	RES, NETWORK 68	(1005X4)	C1224	1-107-826-11	CERAMIC CHIP 0.1UF	10.00% 16V
RB3500	1-234-371-21	RES, NETWORK 47	(1005X4)	C1230	1-162-970-11	CERAMIC CHIP 0.01UF	10.00% 25V
RB3501	1-234-371-21	RES, NETWORK 47	(1005X4)	C1231	1-162-970-11	CERAMIC CHIP 0.01UF	10.00% 25V
< CRYSTAL >				C1232	1-107-826-11	CERAMIC CHIP 0.1UF	10.00% 16V
X3200	1-813-055-11	QUARTZ CRYSTAL UNIT		C1233	1-162-970-11	CERAMIC CHIP 0.01UF	10.00% 25V
X3500	1-813-547-11	QUARTZ CRYSTAL UNIT		C1235	1-107-826-11	CERAMIC CHIP 0.1UF	10.00% 16V
<b>* A-1151-514-A AG COMPL DIG ZAPPING</b>				C1237	1-126-964-11	ELECT 10UF	20.00% 50V
4-382-854-01		SCREW (M3X8), P, SW (+)		C1239	1-126-933-11	ELECT 100UF	20.00% 16V
< CAPACITOR >				C1242	1-107-826-11	CERAMIC CHIP 0.1UF	10.00% 16V
C1001	1-164-156-11	CERAMIC CHIP 0.1UF	25V	C1243	1-107-826-11	CERAMIC CHIP 0.1UF	10.00% 16V
C1003	1-164-156-11	CERAMIC CHIP 0.1UF	25V	C1244	1-126-933-11	ELECT 100UF	20.00% 16V
C1005	1-164-004-11	CERAMIC CHIP 0.1UF	10.00% 25V	C1601	1-162-970-11	CERAMIC CHIP 0.01UF	10.00% 25V
C1006	1-126-767-11	ELECT 1000UF	20.00% 16V	C1604 $\Delta$	1-104-571-91	CERAMIC 0.0015UF	10.00% 2KV
C1008	1-162-970-11	CERAMIC CHIP 0.01UF	10.00% 25V	C1605 $\Delta$	1-104-571-91	CERAMIC 0.0015UF	10.00% 2KV
C1010	1-162-970-11	CERAMIC CHIP 0.01UF	10.00% 25V	C1607 $\Delta$	1-104-571-91	CERAMIC 0.0015UF	10.00% 2KV
C1011	1-104-662-91	ELECT 22UF	20.00% 25V	C1608 $\Delta$	1-104-571-91	CERAMIC 0.0015UF	10.00% 2KV
C1012	1-162-970-11	CERAMIC CHIP 0.01UF	10.00% 25V	C1609	1-163-021-91	CERAMIC CHIP 0.01UF	10.00% 50V
C1013	1-163-131-00	CERAMIC CHIP 390PF	5.00% 50V	C1612	1-117-753-11	ELECT (BLOCK) 470UF	20.00% 450V
C1014	1-162-970-11	CERAMIC CHIP 0.01UF	10.00% 25V	C1613	1-126-964-11	ELECT 10UF	20.00% 50V
C1015	1-162-970-11	CERAMIC CHIP 0.01UF	10.00% 25V	C1614	1-126-967-11	ELECT 47UF	20.00% 50V
C1016	1-125-891-11	CERAMIC CHIP 0.47UF	10.00% 10V	C1615	1-126-948-11	ELECT 100UF	20.00% 35V
C1017	1-127-715-91	CERAMIC CHIP 0.22UF	10% 16V	C1618	1-136-497-81	FILM 0.1UF	5.00% 50V
C1018	1-162-964-11	CERAMIC CHIP 0.001UF	10.00% 50V	C1620	1-107-902-11	ELECT 1UF	20% 50V
C1019	1-107-826-11	CERAMIC CHIP 0.1UF	10.00% 16V	C1622	1-126-961-11	ELECT 2.2UF	20.00% 50V
C1020	1-164-004-11	CERAMIC CHIP 0.1UF	10.00% 25V	C1623	1-136-479-11	FILM 0.001UF	5.00% 100V
C1021	1-131-664-91	CERAMIC CHIP 0.15UF	10% 10V	C1624	1-126-963-11	ELECT 4.7UF	20.00% 50V
C1024	1-162-919-11	CERAMIC CHIP 22PF	5.00% 50V	C1626	1-113-924-11	CERAMIC 0.0047UF	20.00% 250V
C1025	1-216-864-11	SHORT CHIP 0		C1627	1-125-969-91	CERAMIC 680PF	10.00% 1KV
C1026	1-162-970-11	CERAMIC CHIP 0.01UF	10.00% 25V	C1628	1-125-969-91	CERAMIC 680PF	10.00% 1KV
C1027	1-162-926-11	CERAMIC CHIP 82PF	5.00% 50V	C1629	1-135-946-22	FILM 47000PF	3% 800V
C1028	1-164-388-91	CERAMIC CHIP 270PF	5.00% 50V	C1630	1-126-939-11	ELECT 10000UF	20.00% 16V
C1029	1-162-915-11	CERAMIC CHIP 10PF	0.50PF 50V	C1631	1-107-914-11	ELECT 1000UF	20% 50V
C1030	1-162-928-11	CERAMIC CHIP 120PF	5.00% 50V	C1632	1-126-964-11	ELECT 10UF	20.00% 50V
C1031	1-162-970-11	CERAMIC CHIP 0.01UF	10.00% 25V	C1634	1-126-944-11	ELECT 3300UF	20.00% 25V
C1034	1-126-933-11	ELECT 100UF	20.00% 16V	C1635	1-126-944-11	ELECT 3300UF	20.00% 25V
C1035	1-165-908-11	CERAMIC CHIP 1UF	10% 10V	C1639	1-164-004-11	CERAMIC CHIP 0.1UF	10.00% 25V
C1037	1-164-315-11	CERAMIC CHIP 470PF	5.00% 50V	C1640	1-107-888-11	ELECT 47UF	20% 25V
				C1642	1-107-906-11	ELECT 10UF	20% 50V
				C1648	1-163-021-91	CERAMIC CHIP 0.01UF	10.00% 50V
				C1652	1-107-906-11	ELECT 10UF	20% 50V
				C1653	1-107-909-11	ELECT 47UF	20% 50V

Note : The components identified by shading and marked  $\Delta$  are critical for safety. Replace only with the part numbers specified in the parts list.



REF.NO.	PART NO.	DESCRIPTION	REMARK	REF.NO.	PART NO.	DESCRIPTION	REMARK
C1655	1-163-009-91	CERAMIC CHIP 0.001UF	10.00% 50V	C6226	1-128-942-31	ELECT 1000UF	20% 6.3V
C1656	1-163-009-91	CERAMIC CHIP 0.001UF	10.00% 50V	C6227	1-128-942-31	ELECT 1000UF	20% 6.3V
C1659	1-137-194-81	FILM 0.47UF	5.00% 50V	C6229	1-128-528-11	ELECT 470UF	20% 25V
C1660	$\Delta$ 1-165-530-11	MYLAR 0.47UF	10 275V	C6230	1-126-935-11	ELECT 470UF	20.00% 16V
C1661	$\Delta$ 1-119-887-51	CERAMIC 1000PF	20.00% 250V	C6235	1-164-156-11	CERAMIC CHIP 0.1UF	25V
C1662	$\Delta$ 1-119-887-51	CERAMIC 1000PF	20.00% 250V	C6236	1-164-156-11	CERAMIC CHIP 0.1UF	25V
C1664	$\Delta$ 1-165-530-11	MYLAR 0.47UF	10 275V	C6238	1-128-526-11	ELECT 100UF	20% 25V
C1670	1-125-497-11	ELECT (BLOCK) 100UF	20% 400V	C6239	1-164-156-11	CERAMIC CHIP 0.1UF	25V
C1671	1-125-497-11	ELECT (BLOCK) 100UF	20% 400V	C6240	1-164-156-11	CERAMIC CHIP 0.1UF	25V
C1672	1-161-830-00	CERAMIC 0.0047UF	500V	C6241	1-164-156-11	CERAMIC CHIP 0.1UF	25V
C2002	1-128-528-11	ELECT 470UF	20% 25V	C6243	1-104-665-11	ELECT 100UF	20.00% 25V
C2003	1-126-965-91	ELECT 22UF	20.00% 50V	C6244	1-126-947-11	ELECT 47UF	20.00% 35V
C2025	1-162-964-11	CERAMIC CHIP 0.001UF	10.00% 50V	C6257	1-164-156-11	CERAMIC CHIP 0.1UF	25V
C2033	1-162-964-11	CERAMIC CHIP 0.001UF	10.00% 50V	C6259	1-104-665-11	ELECT 100UF	20.00% 25V
C2302	1-164-156-11	CERAMIC CHIP 0.1UF	25V	C6260	1-164-156-11	CERAMIC CHIP 0.1UF	25V
C2304	1-164-156-11	CERAMIC CHIP 0.1UF	25V	C6263	1-164-156-11	CERAMIC CHIP 0.1UF	25V
C2305	1-164-156-11	CERAMIC CHIP 0.1UF	25V	C6264	1-164-156-11	CERAMIC CHIP 0.1UF	25V
C2306	1-164-156-11	CERAMIC CHIP 0.1UF	25V	C6265	1-164-156-11	CERAMIC CHIP 0.1UF	25V
C2502	1-164-156-11	CERAMIC CHIP 0.1UF	25V	C6266	1-164-156-11	CERAMIC CHIP 0.1UF	25V
C2503	1-164-156-11	CERAMIC CHIP 0.1UF	25V	C6300	$\Delta$ 1-126-943-11	ELECT 2200UF	20.00% 25V
C2504	1-125-891-11	CERAMIC CHIP 0.47UF	10.00% 10V	C6301	1-126-971-11	ELECT 470UF	20.00% 50V
C2505	1-107-907-11	ELECT 22UF	20% 50V	C6303	1-126-964-11	ELECT 10UF	20.00% 50V
C2506	1-126-965-91	ELECT 22UF	20.00% 50V	C8206	1-162-970-11	CERAMIC CHIP 0.01UF	10.00% 25V
C2507	1-125-891-11	CERAMIC CHIP 0.47UF	10.00% 10V	< CONNECTOR >			
C2511	1-164-156-11	CERAMIC CHIP 0.1UF	25V	CN1230	1-695-915-11	TAB (CONTACT)	
C2512	1-164-004-11	CERAMIC CHIP 0.1UF	10.00% 25V	CN1601	$\Delta$ * 1-580-843-11	PIN, CONNECTOR (POWER)	
C2513	1-164-004-11	CERAMIC CHIP 0.1UF	10.00% 25V	CN1602	* 1-691-960-11	PIN, CONNECTOR (PC BOARD) 3P	
C2514	1-107-715-11	ELECT 22UF	20% 50V	CN1603	* 1-816-974-51	PLUG, CONNECTOR 3P	
C3000	1-162-970-11	CERAMIC CHIP 0.01UF	10.00% 25V	CN1610	1-695-915-11	TAB (CONTACT)	
C3001	1-162-970-11	CERAMIC CHIP 0.01UF	10.00% 25V	CN1611	1-695-915-11	TAB (CONTACT)	
C3002	1-162-970-11	CERAMIC CHIP 0.01UF	10.00% 25V	CN1612	1-695-915-11	TAB (CONTACT)	
C3003	1-162-970-11	CERAMIC CHIP 0.01UF	10.00% 25V	CN1616	$\Delta$ * 1-691-960-11	PIN, CONNECTOR (PC BOARD) 3P	
C3004	1-162-970-11	CERAMIC CHIP 0.01UF	10.00% 25V	CN2001	1-695-915-11	TAB (CONTACT)	
C4200	1-127-715-91	CERAMIC CHIP 0.22UF	10% 16V	CN2002	1-695-915-11	TAB (CONTACT)	
C4201	1-164-160-11	CERAMIC CHIP 20PF	5.00% 50V	CN2003	* 1-564-507-11	PLUG, CONNECTOR 4P	
C4202	1-115-456-21	DOUBLE LAYER 0.22F	5.5V	CN2004	1-695-915-11	TAB (CONTACT)	
C6200	1-164-156-11	CERAMIC CHIP 0.1UF	25V	CN2005	1-695-915-11	TAB (CONTACT)	
C6201	1-164-156-11	CERAMIC CHIP 0.1UF	25V	CN2006	1-695-915-11	TAB (CONTACT)	
C6202	1-164-156-11	CERAMIC CHIP 0.1UF	25V	CN2007	1-695-915-11	TAB (CONTACT)	
C6203	1-107-909-11	ELECT 47UF	20% 50V	CN2008	1-695-915-11	TAB (CONTACT)	
C6205	1-164-156-11	CERAMIC CHIP 0.1UF	25V	CN2302	1-764-334-11	PIN, CONNECTOR(PCB) (V TYPE) 11P	
C6208	1-128-526-11	ELECT 100UF	20% 25V	CN2303	* 1-816-985-71	PLUG, CONNECTOR 8P	
C6211	1-104-665-11	ELECT 100UF	20.00% 25V	CN2304	* 1-564-512-11	PLUG, CONNECTOR 9P	
C6213	1-164-156-11	CERAMIC CHIP 0.1UF	25V	CN3000	1-764-333-11	PIN, CONNECTOR(PCB) (V TYPE) 10P	
C6214	1-128-526-11	ELECT 100UF	20% 25V	CN3001	* 1-816-983-71	PLUG, CONNECTOR 6P	
C6215	1-128-526-11	ELECT 100UF	20% 25V	CN5201	* 1-823-330-11	CONNECTOR, BOARD TO BOARD 40P	
C6217	1-126-767-11	ELECT 1000UF	20.00% 16V	CN5209	* 1-564-508-11	PLUG, CONNECTOR 5P	
C6218	1-126-767-11	ELECT 1000UF	20.00% 16V	CN6204	1-695-915-11	TAB (CONTACT)	
C6223	1-164-156-11	CERAMIC CHIP 0.1UF	25V	CN6205	1-695-915-11	TAB (CONTACT)	
C6224	1-164-156-11	CERAMIC CHIP 0.1UF	25V				

Note : The components identified by shading and marked  $\Delta$  are critical for safety. Replace only with the part numbers specified in the parts list.



REF.NO.	PART NO.	DESCRIPTION	REMARK	REF.NO.	PART NO.	DESCRIPTION	REMARK
CN6208	* 1-564-512-11	PLUG, CONNECTOR 9P		FB1230	1-469-869-21	FERRITE	OUH
	< DIODE >			FB1231	1-469-869-21	FERRITE	OUH
D1002	8-719-050-38	DIODE M1MA152WK-T1			< CLIP FUSE >		
D1005	8-719-081-97	DIODE MMDL914T1		FH1601 $\Delta$	1-533-725-11	FUSE HOLDER	0A 0V
D1007	8-719-081-67	DIODE M1FM3			< FILTER >		
D1008	8-719-073-69	DIODE PTZ-TE25-6.2A		FL1230	1-239-899-21	FERRITE	OUH
D1230	8-719-083-87	DIODE UDZS-TE17-33B			< IC >		
D1601	8-719-054-36	DIODE FCH10A06		IC1001	6-704-747-01	IC TDA9886TS/V4,118	
D1602	6-500-067-01	DIODE GSIB460L/45		IC1002	6-704-120-01	IC MD3221N	
D1607	8-719-979-64	DIODE UF4005/23		IC1601	6-705-810-01	IC MCZ3001DB	
D1608	8-719-060-90	DIODE S2L60F		IC1602	8-759-198-31	IC UPC1093J-1-T	
D1609	8-719-063-73	DIODE DINL20U-TR		IC2500	8-759-590-05	IC TDA7269A	
D1612	8-719-060-90	DIODE S2L60F		IC4200	8-759-478-44	IC PCF8593/T118	
D1613	8-719-081-97	DIODE MMDL914T1		IC6201	6-702-313-01	IC PST600IMT	
D1616	8-719-081-97	DIODE MMDL914T1		IC6202	6-708-659-01	IC BA00BCOWT-V5	
D1617	8-719-081-97	DIODE MMDL914T1		IC6203	8-759-098-24	IC PQ30RV11J00H	
D1618	8-719-081-97	DIODE MMDL914T1		IC6204	8-759-394-36	IC BA09T	
D1619	8-719-083-82	DIODE UDZS-TE17-12B		IC6205	8-759-098-24	IC PQ30RV11J00H	
D1620	8-719-054-36	DIODE FCH10A06		IC6207	8-759-640-19	IC PQ1CG2032FZ	
D1621	8-719-018-84	DIODE D2S6M		IC6208	8-759-640-19	IC PQ1CG2032FZ	
D1624	8-719-060-88	DIODE D4SBS6		IC6210	8-759-520-49	IC PQ30RV21J00H	
D1631	8-719-081-97	DIODE MMDL914T1			< JUMPER RESISTOR >		
D1632	1-216-295-91	SHORT CHIP 0		JR1	1-216-295-91	SHORT CHIP	0
D1635	8-719-060-90	DIODE S2L60F		JR2	1-216-295-91	SHORT CHIP	0
D1636	8-719-060-90	DIODE S2L60F		JR1002	1-216-864-11	SHORT CHIP	0
D2004	8-719-081-97	DIODE MMDL914T1		JR1003	1-216-864-11	SHORT CHIP	0
D2005	8-719-081-97	DIODE MMDL914T1		JR1004	1-216-864-11	SHORT CHIP	0
D3001	8-719-050-38	DIODE M1MA152WK-T1		JR1008	1-216-864-11	SHORT CHIP	0
D4200	8-719-914-43	DIODE DAN202K		JR1009	1-216-864-11	SHORT CHIP	0
D6201	8-719-022-97	DIODE D2S4MF		JR1011	1-216-864-11	SHORT CHIP	0
D6202	8-719-022-97	DIODE D2S4MF		JR1012	1-216-864-11	SHORT CHIP	0
D6206	8-719-081-97	DIODE MMDL914T1		JR1201	1-216-864-11	SHORT CHIP	0
D6207	8-719-081-97	DIODE MMDL914T1		JR1202	1-216-864-11	SHORT CHIP	0
D6208	8-719-081-97	DIODE MMDL914T1		JR1230	1-216-864-11	SHORT CHIP	0
D6209	8-719-081-97	DIODE MMDL914T1		JR1231	1-216-864-11	SHORT CHIP	0
D6211	6-500-294-01	DIODE PTZ-TE25-3.9B		JR1232	1-216-864-11	SHORT CHIP	0
D6212	6-500-294-01	DIODE PTZ-TE25-3.9B		JR1233	1-216-864-11	SHORT CHIP	0
D6302	8-719-511-40	DIODE S1VB40		JR1234	1-216-864-11	SHORT CHIP	0
D6304	8-719-081-97	DIODE MMDL914T1		JR1235	1-216-864-11	SHORT CHIP	0
D6306	8-719-081-97	DIODE MMDL914T1		JR1236	1-216-864-11	SHORT CHIP	0
	< FUSE >			JR1237	1-216-864-11	SHORT CHIP	0
F1601 $\Delta$	1-576-232-51	FUSE	5A 250V	JR6224	1-216-864-11	SHORT CHIP	0
	< FERRITE BEAD >			JR6225	1-216-864-11	SHORT CHIP	0
FB1101	1-412-987-31	INDUCTOR	4.7UH	JR6238	1-216-864-11	SHORT CHIP	0
FB1200	1-469-869-21	FERRITE	OUH				
FB1201	1-469-869-21	FERRITE	OUH				

Note : The components identified by shading and marked Δ are critical for safety. Replace only with the part numbers specified in the parts list.



REF.NO.	PART NO.	DESCRIPTION	REMARK	REF.NO.	PART NO.	DESCRIPTION	REMARK
< COIL >							
L1001	1-414-934-21	INDUCTOR	10UH	Q2500	8-729-010-29	TRANSISTOR MSD601-RST1	
L1002	1-414-934-21	INDUCTOR	10UH	Q2501	8-729-010-29	TRANSISTOR MSD601-RST1	
L1003	1-406-663-21	INDUCTOR	47UH	Q2502	8-729-010-29	TRANSISTOR MSD601-RST1	
L1004	1-216-864-11	SHORT CHIP	0	Q2503	8-729-010-29	TRANSISTOR MSD601-RST1	
L1005	1-216-864-11	SHORT CHIP	0	Q2504	8-729-027-38	TRANSISTOR DTA144EKA-T146	
L1006	1-410-509-11	INDUCTOR	10UH	Q6201	8-729-027-43	TRANSISTOR DTC114EKA-T146	
L1007	1-414-934-21	INDUCTOR	10UH	Q6202	8-729-027-43	TRANSISTOR DTC114EKA-T146	
L1008	1-457-154-11	INDUCTOR	10UH	Q6203	8-729-010-29	TRANSISTOR MSD601-RST1	
L1009	1-406-663-21	INDUCTOR	47UH	Q6302	8-729-901-06	TRANSISTOR DTA144EK	
L1010	1-406-663-21	INDUCTOR	47UH	Q6305	8-729-010-29	TRANSISTOR MSD601-RST1	
< RESISTOR >							
L1012	1-216-864-11	SHORT CHIP	0	R1004	1-216-845-11	METAL CHIP 100K 5%	1/10W
L1013	1-216-864-11	SHORT CHIP	0	R1006	1-216-838-11	METAL CHIP 27K 5%	1/10W
L1100	1-414-580-21	INDUCTOR	100NH	R1007	1-216-827-11	METAL CHIP 3.3K 5%	1/10W
L1101	1-414-580-21	INDUCTOR	100NH	R1009	1-216-837-11	METAL CHIP 22K 5%	1/10W
L1102	1-414-934-21	INDUCTOR	10UH	R1010	1-216-818-11	METAL CHIP 560 5%	1/10W
L1230	1-412-006-31	INDUCTOR	10UH	R1011	1-216-825-11	METAL CHIP 2.2K 5%	1/10W
L1601	1-412-525-31	INDUCTOR	10UH	R1013	1-216-825-11	METAL CHIP 2.2K 5%	1/10W
L1602	1-469-578-11	FERRITE	1.1UH	R1014	1-216-825-11	METAL CHIP 2.2K 5%	1/10W
L1603	1-469-578-11	FERRITE	1.1UH	R1016	1-216-817-11	METAL CHIP 470 5%	1/10W
L1609	1-406-659-11	INDUCTOR	10UH	R1018	1-216-830-11	METAL CHIP 5.6K 5%	1/10W
L1616	1-406-984-11	INDUCTOR	1.5MH	R1019	1-216-827-11	METAL CHIP 3.3K 5%	1/10W
L6202	1-456-803-11	INDUCTOR	100UH	R1020	1-216-811-11	METAL CHIP 150 5%	1/10W
L6203	1-456-803-11	INDUCTOR	100UH	R1027	1-216-824-11	METAL CHIP 1.8K 5%	1/10W
L6207	1-412-525-31	INDUCTOR	10UH	R1028	1-216-813-11	METAL CHIP 220 5%	1/10W
L6208	1-412-525-31	INDUCTOR	10UH	R1029	1-216-809-11	METAL CHIP 100 5%	1/10W
L6210	1-414-928-21	INDUCTOR	1UH	R1030	1-216-819-11	METAL CHIP 680 5%	1/10W
< PHOTOCOUPLER >							
PH1601	Δ 6-600-187-01	PHOTO COUPLER	PC123Y22J00F	R1032	1-216-822-11	METAL CHIP 1.2K 5%	1/10W
< PROTECTOR MODULE >							
PS1600	Δ 1-576-288-32	IC LINK	10A 90V	R1033	1-218-867-11	METAL CHIP 6.8K 0.5%	1/10W
PS6202	Δ 1-801-549-21	IC LINK	4A 0V	R1034	1-216-807-11	METAL CHIP 68 5%	1/10W
PS6204	Δ 1-801-549-21	IC LINK	4A 0V	R1035	1-216-807-11	METAL CHIP 68 5%	1/10W
< TRANSISTOR >							
Q1002	8-729-421-19	TRANSISTOR UN2213		R1036	1-216-814-11	METAL CHIP 270 5%	1/10W
Q1003	8-729-421-19	TRANSISTOR UN2213		R1037	1-216-829-11	METAL CHIP 4.7K 5%	1/10W
Q1004	8-729-422-33	TRANSISTOR 2SD601A-Q-TX		R1038	1-216-833-11	METAL CHIP 10K 5%	1/10W
Q1008	8-729-054-41	TRANSISTOR MUN2232T1		R1039	1-216-801-11	METAL CHIP 22 5%	1/10W
Q1009	8-729-010-05	TRANSISTOR MSB709-RT1		R1041	1-216-812-11	METAL CHIP 180 5%	1/10W
Q1603	8-729-010-29	TRANSISTOR MSD601-RST1		R1043	1-216-837-11	METAL CHIP 22K 5%	1/10W
Q1604	8-729-010-05	TRANSISTOR MSB709-RT1		R1047	1-216-817-11	METAL CHIP 470 5%	1/10W
Q1605	8-729-010-29	TRANSISTOR MSD601-RST1		R1048	1-216-834-11	METAL CHIP 12K 5%	1/10W
Q1606	8-729-052-32	TRANSISTOR IRFIB7N50A-LF31		R1050	1-216-809-11	METAL CHIP 100 5%	1/10W
Q1607	8-729-052-32	TRANSISTOR IRFIB7N50A-LF31		R1051	1-216-809-11	METAL CHIP 100 5%	1/10W
Q2001	8-729-010-05	TRANSISTOR MSB709-RT1		R1052	1-216-845-11	METAL CHIP 100K 5%	1/10W
				R1101	1-412-987-31	INDUCTOR 4.7UH	
				R1102	1-414-760-21	FERRITE 0UH	
				R1103	1-414-760-21	FERRITE 0UH	
				R1105	1-414-580-21	INDUCTOR 100NH	
				R1233	1-216-833-11	METAL CHIP 10K 5%	1/10W
				R1234	1-216-809-11	METAL CHIP 100 5%	1/10W
				R1235	1-216-809-11	METAL CHIP 100 5%	1/10W



Note : The components identified by shading and marked  $\Delta$  are critical for safety. Replace only with the part numbers specified in the parts list.



REF.NO.	PART NO.	DESCRIPTION	REMARK	REF.NO.	PART NO.	DESCRIPTION	REMARK
R1237	1-216-821-11	METAL CHIP	1K 5% 1/10W	R2501	1-216-821-11	METAL CHIP	1K 5% 1/10W
R1238	1-216-821-11	METAL CHIP	1K 5% 1/10W	R2502	1-216-818-11	METAL CHIP	560 5% 1/10W
R1239	1-216-841-11	METAL CHIP	47K 5% 1/10W	R2503	1-216-818-11	METAL CHIP	560 5% 1/10W
R1601	1-245-494-21	METAL	2.2M 2% 1/4W	R2504	1-216-841-11	METAL CHIP	47K 5% 1/10W
R1602	1-245-494-21	METAL	2.2M 2% 1/4W	R2505	1-216-821-11	METAL CHIP	1K 5% 1/10W
R1607	1-249-417-11	CARBON	1K 5% 1/4W	R2506	1-216-836-11	METAL CHIP	18K 5% 1/10W
R1613 $\Delta$	1-202-933-61	FUSIBLE	0.1 10% 1/2W	R2507	1-216-836-11	METAL CHIP	18K 5% 1/10W
R1616	1-249-393-11	CARBON	10 5% 1/4W	R2508	1-216-809-11	METAL CHIP	100 5% 1/10W
R1617	1-249-377-11	CARBON	0.47 5% 1/4W	R2509	1-216-830-11	METAL CHIP	5.6K 5% 1/10W
R1618	1-260-288-11	CARBON	0.47 5% 1/2W	R2510	1-216-846-11	METAL CHIP	120K 5% 1/10W
R1619 $\Delta$	1-220-886-11	FUSIBLE	0.1 10% 1W	R2511	1-216-832-11	METAL CHIP	8.2K 5% 1/10W
R1620	1-216-073-91	RES-CHIP	10K 5% 1/10W	R2512	1-216-830-11	METAL CHIP	5.6K 5% 1/10W
R1621	1-216-065-91	RES-CHIP	4.7K 5% 1/10W	R2513	1-216-864-11	SHORT CHIP	0
R1622	1-216-073-91	RES-CHIP	10K 5% 1/10W	R2519	1-216-845-11	METAL CHIP	100K 5% 1/10W
R1623	1-216-049-11	RES-CHIP	1K 5% 1/10W	R2520	1-216-845-11	METAL CHIP	100K 5% 1/10W
R1625	1-245-478-21	METAL	470K 1% 1/4W	R2521	1-243-826-21	METAL OXIDE	4.7 5% 1W
R1626	1-245-478-21	METAL	470K 1% 1/4W	R2522	1-243-826-21	METAL OXIDE	4.7 5% 1W
R1628	1-208-810-11	METAL CHIP	15K 0.5% 1/10W	R2523	1-216-841-11	METAL CHIP	47K 5% 1/10W
R1629	1-218-871-11	METAL CHIP	10K 0.5% 1/10W	R2524	1-216-864-11	SHORT CHIP	0
R1630	1-216-073-91	RES-CHIP	10K 5% 1/10W	R2525	1-216-821-11	METAL CHIP	1K 5% 1/10W
R1631	1-216-073-91	RES-CHIP	10K 5% 1/10W	R3001	1-216-833-11	METAL CHIP	10K 5% 1/10W
R1632	1-216-797-11	METAL CHIP	10 5% 1/10W	R3002	1-216-833-11	METAL CHIP	10K 5% 1/10W
R1633	1-216-073-91	RES-CHIP	10K 5% 1/10W	R3003	1-216-841-11	METAL CHIP	47K 5% 1/10W
R1634	1-216-797-11	METAL CHIP	10 5% 1/10W	R4200	1-216-841-11	METAL CHIP	47K 5% 1/10W
R1635	1-216-073-91	RES-CHIP	10K 5% 1/10W	R4201	1-216-809-11	METAL CHIP	100 5% 1/10W
R1638	1-202-965-11	METAL	0.02 10% 2W	R4202	1-216-809-11	METAL CHIP	100 5% 1/10W
R1641	1-216-049-11	RES-CHIP	1K 5% 1/10W	R6200	1-218-835-11	METAL CHIP	330 0.5% 1/10W
R1642	1-216-057-00	RES-CHIP	2.2K 5% 1/10W	R6201	1-218-839-11	METAL CHIP	470 0.5% 1/10W
R1643	1-218-853-11	METAL CHIP	1.8K 0.5% 1/10W	R6202	1-218-860-11	METAL CHIP	3.6K 0.5% 1/10W
R1644	1-216-025-11	RES-CHIP	100 5% 1/10W	R6203	1-218-859-11	METAL CHIP	3.3K 0.5% 1/10W
R1645	1-216-017-91	RES-CHIP	47 5% 1/10W	R6206	1-218-847-11	METAL CHIP	1K 0.5% 1/10W
R1646	1-218-873-11	METAL CHIP	12K 0.5% 1/10W	R6207	1-218-849-11	METAL CHIP	1.2K 0.5% 1/10W
R1647	1-216-041-00	RES-CHIP	470 5% 1/10W	R6209	1-216-864-11	SHORT CHIP	0
R1649	1-216-049-11	RES-CHIP	1K 5% 1/10W	R6210	1-216-864-11	SHORT CHIP	0
R1650	1-218-839-11	METAL CHIP	470 0.5% 1/10W	R6211	1-218-850-11	METAL CHIP	1.3K 0.5% 1/10W
R1651 $\Delta$	1-205-998-11	CEMENTED	1 5% 10W	R6212	1-216-833-11	METAL CHIP	10K 5% 1/10W
R1652 $\Delta$	1-205-998-11	CEMENTED	1 5% 10W	R6214	1-216-846-11	METAL CHIP	120K 5% 1/10W
R1653 $\Delta$	1-202-719-00	SOLID	1M 20% 1/2W	R6215	1-216-844-11	METAL CHIP	82K 5% 1/10W
R1654	1-260-288-11	CARBON	0.47 5% 1/2W	R6216	1-218-883-11	METAL CHIP	33K 0.5% 1/10W
R1655	1-260-288-11	CARBON	0.47 5% 1/2W	R6217	1-218-891-11	METAL CHIP	68K 0.5% 1/10W
R1656	1-215-904-11	METAL OXIDE	100K 5% 2W	R6218	1-218-915-11	METAL CHIP	680K 0.5% 1/10W
R1657	1-215-904-11	METAL OXIDE	100K 5% 2W	R6219	1-218-863-11	METAL CHIP	4.7K 0.5% 1/10W
R1662 $\Delta$	1-218-265-11	METAL	8.2M 5% 1W	R6220	1-218-837-11	METAL CHIP	390 0.5% 1/10W
R1664	1-216-295-91	SHORT CHIP	0	R6221	1-218-883-11	METAL CHIP	33K 0.5% 1/10W
R2009	1-216-841-11	METAL CHIP	47K 5% 1/10W	R6222	1-216-807-11	METAL CHIP	68 5% 1/10W
R2024	1-216-841-11	METAL CHIP	47K 5% 1/10W	R6223	1-218-883-11	METAL CHIP	33K 0.5% 1/10W
R2025	1-216-838-11	METAL CHIP	27K 5% 1/10W	R6229	1-216-833-11	METAL CHIP	10K 5% 1/10W
R2026	1-216-864-11	SHORT CHIP	0	R6239	1-218-901-11	METAL CHIP	180K 0.5% 1/10W
R2027	1-216-113-00	RES-CHIP	470K 5% 1/10W	R6240	1-218-865-11	METAL CHIP	5.6K 0.5% 1/10W
R2500	1-216-841-11	METAL CHIP	47K 5% 1/10W	R6242	1-218-872-11	METAL CHIP	11K 0.5% 1/10W

Note : The components identified by shading and marked  $\Delta$  are critical for safety. Replace only with the part numbers specified in the parts list.

**AG H2 H1**

REF.NO.	PART NO.	DESCRIPTION	REMARK	REF.NO.	PART NO.	DESCRIPTION	REMARK
R6256	1-216-841-11	METAL CHIP	47K 5% 1/10W			< IC >	
R6262	1-216-834-11	METAL CHIP	12K 5% 1/10W				
R6263	1-216-833-11	METAL CHIP	10K 5% 1/10W				
R6264	1-216-833-11	METAL CHIP	10K 5% 1/10W				
R6267	1-216-833-11	METAL CHIP	10K 5% 1/10W				
R6303	1-216-821-11	METAL CHIP	1K 5% 1/10W				
R6308	1-216-829-11	METAL CHIP	4.7K 5% 1/10W				
R6309	1-216-821-11	METAL CHIP	1K 5% 1/10W				
		< RELAY >					
RY1601 $\Delta$	1-755-395-11	RELAY (AC POWER)					
		< FILTER >					
SF1001	1-795-617-11	SAW FILTER					
SF1003	1-767-083-11	FILTER, SURFACE WAVE					
		< TRANSFORMER >					
T1200	1-417-646-11	RF SPLITTER					
T1603 $\Delta$	1-435-512-21	TRANSFORMER, CONVERTER (PIT)					
T1605 $\Delta$	1-433-488-31	TRANSFORMER, LINE FILTER					
T6300 $\Delta$	1-443-114-11	TRANSFORMER, STANDBY					
		< TUNER >					
TU1001	8-597-953-00	TUNER, FSS BTP-AC431					
TU1230	8-597-998-00	TUNER, FSS BTP-DC411					
		< VARISTOR >					
VD1602 $\Delta$	1-804-995-11	VARISTOR					
		< CRYSTAL >					
X1001	1-767-704-11	VIBRATOR, CRYSTAL					
X4200	1-760-105-11	VIBRATOR, CRYSTAL					
<b>* A-1107-971-A H2 BOARD COMPLETE</b>							
		< CAPACITOR >					
C2000	1-164-156-11	CERAMIC CHIP 0.1UF	25V				
C9001	1-119-667-11	CERAMIC CHIP 22UF	10V				
C9002	1-162-964-11	CERAMIC CHIP 0.001UF	10.00% 50V				
		< CONNECTOR >					
CN1000	* 1-564-526-31	PLUG, CONNECTOR 11P					
		< DIODE >					
D1700	8-719-069-55	DIODE UDZSTE-175.6B					
D1701	8-719-069-55	DIODE UDZSTE-175.6B					
D1702	8-719-064-11	DIODE SPR-325MVW					
D1704	8-719-064-11	DIODE SPR-325MVW					
D1705	8-719-053-43	DIODE SLR-325VCT31					
		< SWITCH >					
S4400	1-692-431-21	SWITCH, TACTILE					
S4402	1-692-431-21	SWITCH, TACTILE					
		< RESISTOR >					
R6310	1-216-864-11	SHORT CHIP	0				
R6311	1-216-833-11	METAL CHIP	10K 5% 1/10W				
R6312	1-216-833-11	METAL CHIP	10K 5% 1/10W				
R6313	1-216-817-11	METAL CHIP	470 5% 1/10W				
R6314	1-216-813-11	METAL CHIP	220 5% 1/10W				
R6315	1-216-817-11	METAL CHIP	470 5% 1/10W				
R6316	1-216-817-11	METAL CHIP	470 5% 1/10W				
R6317	1-216-833-11	METAL CHIP	10K 5% 1/10W				
R6318	1-216-813-11	METAL CHIP	220 5% 1/10W				
R6319	1-216-813-11	METAL CHIP	220 5% 1/10W				
R6320	1-216-017-91	RES-CHIP	47 5% 1/10W				
R6321	1-216-817-11	METAL CHIP	470 5% 1/10W				
R6322	1-216-833-11	METAL CHIP	10K 5% 1/10W				
R6323	1-218-837-11	METAL CHIP	390 0.5% 1/10W				
		< SWITCH >					
S1000	1-692-431-21	SWITCH, TACTILE					
		< CONNECTOR >					
CN4404	* 1-564-519-11	PLUG, CONNECTOR 4P					
		< DIODE >					
D4401	8-719-069-55	DIODE UDZSTE-175.6B					
D4402	8-719-069-55	DIODE UDZSTE-175.6B					
		< RESISTOR >					
R4420	1-218-855-11	METAL CHIP	2.2K 0.5% 1/10W				
R4421	1-218-847-11	METAL CHIP	1K 0.5% 1/10W				
R4422	1-216-864-11	SHORT CHIP	0				
R4423	1-208-800-11	METAL CHIP	5.6K 0.5% 1/10W				
R4424	1-218-837-11	METAL CHIP	390 0.5% 1/10W				
R4425	1-218-827-11	METAL CHIP	150 0.5% 1/10W				
		< SWITCH >					
S4400	1-692-431-21	SWITCH, TACTILE					
S4402	1-692-431-21	SWITCH, TACTILE					

Note : The components identified by shading and marked  $\Delta$  are critical for safety. Replace only with the part numbers specified in the parts list.

H1

REF.NO.	PART NO.	DESCRIPTION	REMARK	REF.NO.	PART NO.	DESCRIPTION	REMARK
S4403	1-692-431-21	SWITCH, TACTILE		<b>MISCELLANEOUS</b>			
S4404	1-692-431-21	SWITCH, TACTILE			1-826-219-11	LOUD SPEAKER (5.5x15CM)	
S4405	1-692-431-21	SWITCH, TACTILE		$\Delta$	1-823-715-21	CORD, POWER	
S4406	1-692-431-21	SWITCH, TACTILE		$\Delta$	1-787-373-11	D. C. FAN	
					1-576-912-11	THERMOSTAT	
				$\Delta$	1-468-936-13	POWER SUPPLY BLOCK	
				$\Delta$	1-787-231-11	D. C. FAN (SIROCCO)	
				<b>ACCESSORIES AND CONNECTORS</b>			
					1-900-277-08	CONNECTOR ASSY 2P	
					1-910-017-08	CONNECTOR ASSY, 9P EHR-ZHR	
					1-910-017-09	CONNECTOR ASSY, 10P DF13-ZHR	
					1-910-017-10	CONNECTOR ASSY, 15P DF13-EHR	
					1-910-017-11	CONNECTOR ASSY, 8P EHR-DF13	
					1-910-017-12	CONNECTOR ASSY, 6P EHR-ZHR	
					1-910-017-13	CONNECTOR ASSY, 11P EHR-ZHR	
					1-910-017-14	CONNECTOR ASSY, 4P EHR-ZHR	
					1-910-017-15	CONNECTOR ASSY, 11P EHR-ZHR	
					1-910-017-16	CONNECTOR ASSY, 9P EHR-ZHR	
					1-910-017-17	CONNECTOR ASSY, 8P EHR-DF13	
					1-910-017-19	CONNECTOR ASSY, 14 PDF13-DF13	
					1-910-017-21	CONNECTOR ASSY, 5P ZHR-SHR	
					1-910-017-22	CONNECTOR ASSY, 3P VHR-VHR	
					1-910-017-23	CONNECTOR ASSY, 6P EHR-SMR	
					1-910-017-24	CONNECTOR ASSY, 10P EHR-AERIAL	
					1-910-017-25	CONNECTOR ASSY, 2P SMR-RHR	
					1-910-017-27	CONNECTOR ASSY, 15P GHR-DF13	
					1-910-017-28	CONNECTOR ASSY, 3P	
					1-910-018-74	CONNECTOR ASSY, 8P	
					1-910-018-75	CONNECTOR ASSY, 8P	
					1-910-018-91	CONNECTOR ASSY, 2P	
					2-590-739-12	CONNECTOR, HOLDER	
					*2-591-157-21	COVER, POD	
					*2-591-161-11	COVER, ADJUSTER	
					*2-631-704-11	COVER, REAR	
					2-657-538-11	INSTRUCTION MANUAL	
					2-657-538-21	INSTRUCTION MANUAL	
					2-657-538-31	INSTRUCTION MANUAL	
				<b>REMOTE COMMANDER</b>			
					1-479-392-12	REMOTE COMMANDER (RM-ED002)	

