

## SECTION 5 EXPLODED VIEWS

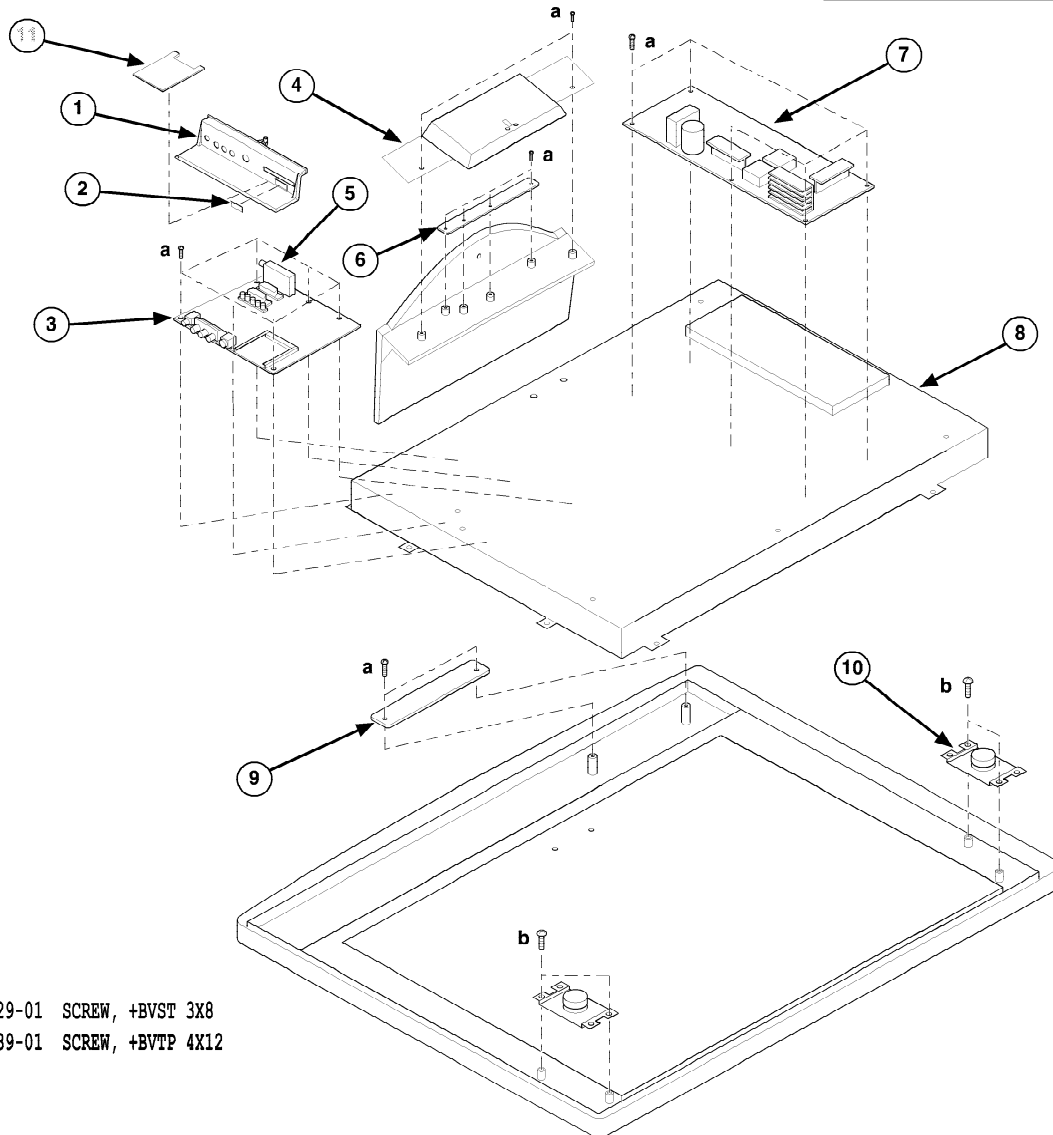
**NOTE :**

- Non-serviceable items with no part number and no description are not stocked because they are not required for routine service.
- The construction parts of an assembled part are indicated with a collation number in the remarks column.
- Items marked “\*\*” are not stocked since they are seldom required for routine service. Some delay should be anticipated when ordering these items.

**Note :** Les composants identifiés par une trame et par une marque Δ sont d'une importance critique pour la securite. Ne les remplacer que par des pieces du numero specifie.

**Note :** The components identified by shading and marked Δ are critical for safety. Replace only with the part numbers specified in the parts list.

**5-1. CHASSIS**



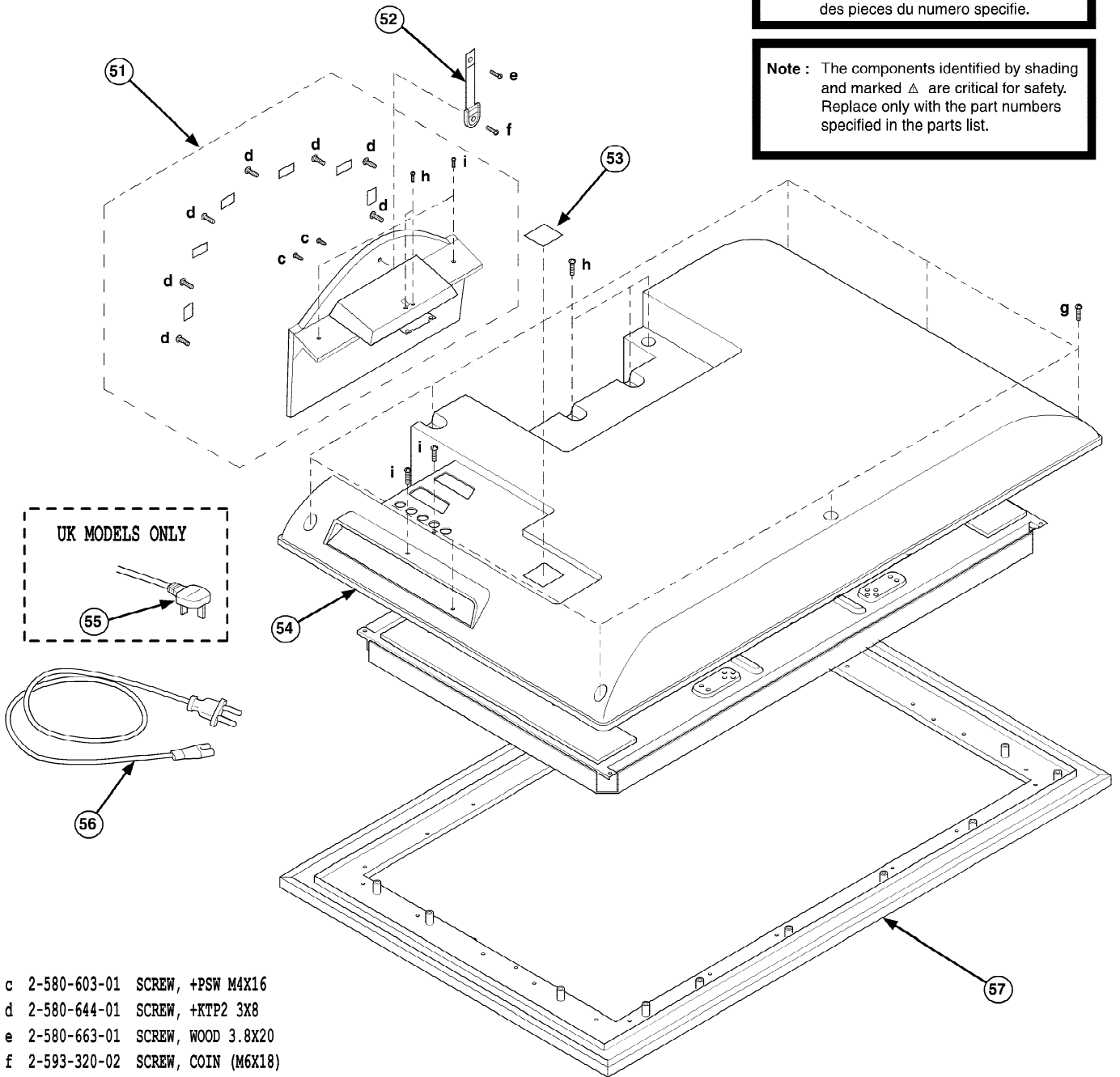
- a 2-580-629-01 SCREW, +BVST 3X8
- b 2-580-639-01 SCREW, +BVTP 4X12

REF.NO.	PART.NO	DESCRIPTION	REMARK	REF.NO.	PART.NO	DESCRIPTION	REMARK
1	*3-276-901-01	TERMINAL SIDE BKT		6	*A-1313-234-A	H1G BOARD, COMPLETE	
2	2-689-737-01	COVER, MS		7	*A-1276-471-A	GS1 BOARD, COMPLETE	
3	*A-1368-033-A	B2 BOARD, COMPLETE		8	1-802-564-11	LCD PANEL (20 INCH VGA TFT)	
4	*3-276-949-01	COVER, NECK		9	*A-1313-235-A	H3G BOARD, COMPLETE	
5	8-597-585-10	TUNER, FSS BTP-HC401		10	1-826-540-11	LOUDSPEAKER	
				11	*4-101-356-02	DUMMY, CARD	

## 5-2. REAR COVER, STAND & BEZEL

**Note :** Les composants indentifiés par une trame et par une marque  $\Delta$  sont d'une importance critique pour la securite. Ne les remplacer que par des pieces du numero specifie.

**Note :** The components identified by shading and marked  $\Delta$  are critical for safety. Replace only with the part numbers specified in the parts list.



**UK MODELS ONLY**

- c 2-580-603-01 SCREW, +PSW M4X16
- d 2-580-644-01 SCREW, +KTP2 3X8
- e 2-580-663-01 SCREW, WOOD 3.8X20
- f 2-593-320-02 SCREW, COIN (M6X18)
- g 2-580-639-01 SCREW, +BVTP2 4X12
- h 2-580-602-01 SCREW, +PSW M4X12
- i 7-685-647-79 SCREW, +BVTP 3X10 TYPE2 IT-3

REF.NO.	PART.NO	DESCRIPTION	REMARK	REF.NO.	PART.NO	DESCRIPTION	REMARK
51	*X-2187-193-1	STAND BASE ASSY		55	$\Delta$ 1-832-170-31	POWER SUPPLY CORD (UK PLUG)	
52	*X-2102-511-3	BAG ASSY, RUDDER LOCK		56	$\Delta$ 1-833-265-11	POWER-SUPPLY CORD (AEP)	
53	3-106-546-01	COVER, ECS		57	X-2187-190-1	BEZEL ASSY (20)	
54	X-2187-191-1	REAR COVER ASSY (20)					

# SECTION 6 ELECTRICAL PARTS LIST

## PARTS LISTING TABLE OF CONTENTS

	<u>Page</u>
H3G BOARD COMPLETE Parts List : .....	63
B2 BOARD COMPLETE Parts List : .....	63
GS1 BOARD COMPLETE Parts List : .....	78
H1G BOARD COMPLETE Parts List : .....	81
ACCESSORIES AND CONNECTORS : .....	81
REMOTE COMMANDER : .....	81

**Note :** Items marked “\*\*” are not stocked since they are seldom required for routine service. Some delay should be anticipated when ordering these items.

REF.NO.	PART.NO	DESCRIPTION	REMARK	REF.NO.	PART.NO	DESCRIPTION	REMARK
<b>* A-1313-235-A H3G BOARD COMPLETE</b>							
< CAPACITOR >							
C311	1-162-960-11	CERAMIC CHIP 220PF	10.00% 50V	C2007	1-100-916-11	CERAMIC CHIP 0.1UF	10% 16V
C312	1-119-667-11	CERAMIC CHIP 22UF	10V	C2008	1-100-905-11	CERAMIC CHIP 0.001UF	10% 50V
< CONNECTOR >							
CN301	1-820-187-11	HEADER ASSEMBLY (PRINT PWB)10P		C2009	1-100-905-11	CERAMIC CHIP 0.001UF	10% 50V
< DIODE >							
D301	8-719-036-94	DIODE RD5.6SB-T1		C2010	1-100-916-11	CERAMIC CHIP 0.1UF	10% 16V
D302	8-719-085-26	DIODE CL-165HR/SYG-D-T		C2011	1-100-916-11	CERAMIC CHIP 0.1UF	10% 16V
D303	8-719-036-94	DIODE RD5.6SB-T1		C2012	1-100-916-11	CERAMIC CHIP 0.1UF	10% 16V
D304	8-719-036-94	DIODE RD5.6SB-T1		C2014	1-164-874-11	CERAMIC CHIP 100PF	5.00% 50V
D305	8-719-085-26	DIODE CL-165HR/SYG-D-T		C2015	1-124-779-00	ELECT CHIP 10UF	20.00% 16V
D306	8-719-036-94	DIODE RD5.6SB-T1		C2016	1-124-779-00	ELECT CHIP 10UF	20.00% 16V
D307	8-719-036-94	DIODE RD5.6SB-T1		C2017	1-124-779-00	ELECT CHIP 10UF	20.00% 16V
D308	6-500-817-01	DIODE (LED) SML-512UWT86		C2018	1-100-916-11	CERAMIC CHIP 0.1UF	10% 16V
D311	8-719-036-94	DIODE RD5.6SB-T1		C2019	1-100-916-11	CERAMIC CHIP 0.1UF	10% 16V
< IC >							
IC311	6-600-502-01	HIC GP1UE26RK0VF		C2020	1-100-916-11	CERAMIC CHIP 0.1UF	10% 16V
< TRANSISTOR >							
Q301	8-729-028-96	TRANSISTOR DTC114EUA-T106		C2021	1-164-858-11	CERAMIC CHIP 22PF	5.00% 50V
Q302	8-729-028-96	TRANSISTOR DTC114EUA-T106		C2022	1-164-858-11	CERAMIC CHIP 22PF	5.00% 50V
Q303	8-729-028-96	TRANSISTOR DTC114EUA-T106		C2023	1-100-916-11	CERAMIC CHIP 0.1UF	10% 16V
Q304	8-729-028-96	TRANSISTOR DTC114EUA-T106		C2024	1-100-916-11	CERAMIC CHIP 0.1UF	10% 16V
Q305	8-729-028-96	TRANSISTOR DTC114EUA-T106		C2025	1-100-916-11	CERAMIC CHIP 0.1UF	10% 16V
< RESISTOR >							
R301	1-216-821-11	METAL CHIP 1K 5% 1/10W		C2026	1-100-916-11	CERAMIC CHIP 0.1UF	10% 16V
R302	1-216-821-11	METAL CHIP 1K 5% 1/10W		C2027	1-112-777-11	CERAMIC CHIP 0.01UF	10% 25V
R303	1-216-821-11	METAL CHIP 1K 5% 1/10W		C2028	1-100-916-11	CERAMIC CHIP 0.1UF	10% 16V
R304	1-216-821-11	METAL CHIP 1K 5% 1/10W		C2029	1-100-916-11	CERAMIC CHIP 0.1UF	10% 16V
R305	1-216-825-11	METAL CHIP 2.2K 5% 1/10W		C2030	1-100-916-11	CERAMIC CHIP 0.1UF	10% 16V
R311	1-216-817-11	METAL CHIP 470 5% 1/10W		C2031	1-124-779-00	ELECT CHIP 10UF	20.00% 16V
R312	1-216-805-11	METAL CHIP 47 5% 1/10W		C2032	1-124-779-00	ELECT CHIP 10UF	20.00% 16V
<b>* A-1368-033-A B2 BOARD COMPLETE</b>							
< CAPACITOR >							
C2000	1-100-905-11	CERAMIC CHIP 0.001UF	10% 50V	C2033	1-124-779-00	ELECT CHIP 10UF	20.00% 16V
C2001	1-100-905-11	CERAMIC CHIP 0.001UF	10% 50V	C2035	1-109-982-11	CERAMIC CHIP 1UF	10.00% 10V
C2002	1-164-858-11	CERAMIC CHIP 22PF	5.00% 50V	C2036	1-107-823-11	CERAMIC CHIP 0.47UF	10.00% 16V
C2003	1-100-916-11	CERAMIC CHIP 0.1UF	10% 16V	C2201	1-164-874-11	CERAMIC CHIP 100PF	5.00% 50V
C2004	1-164-858-11	CERAMIC CHIP 22PF	5.00% 50V	C2202	1-164-870-11	CERAMIC CHIP 68PF	5.00% 50V
C2005	1-164-872-11	CERAMIC CHIP 82PF	5.00% 50V	C2203	1-164-870-11	CERAMIC CHIP 68PF	5.00% 50V
C2006	1-164-872-11	CERAMIC CHIP 82PF	5.00% 50V	C2204	1-100-916-11	CERAMIC CHIP 0.1UF	10% 16V
				C2206	1-126-404-11	ELECT CHIP 4.7UF	20.00% 50V
				C2207	1-100-588-21	ELECT CHIP 1000UF	20% 6.3V
				C2208	1-100-916-11	CERAMIC CHIP 0.1UF	10% 16V
				C2210	1-165-621-91	CERAMIC CHIP 0.1UF	50V
				C2212	1-100-309-21	ELECT CHIP 22UF	20% 25V
				C2213	1-112-777-11	CERAMIC CHIP 0.01UF	10% 25V
				C2214	1-100-740-81	CERAMIC CHIP 390PF	5% 50V
				C2215	1-112-777-11	CERAMIC CHIP 0.01UF	10% 25V
				C2216	1-112-777-11	CERAMIC CHIP 0.01UF	10% 25V
				C2217	1-127-715-11	CERAMIC CHIP 0.22UF	10% 16V
				C2218	1-125-891-11	CERAMIC CHIP 0.47UF	10.00% 10V
				C2219	1-114-214-81	CERAMIC CHIP 470PF	5% 50V
				C2220	1-131-664-91	CERAMIC CHIP 0.15UF	10% 10V
				C2222	1-112-779-11	CERAMIC CHIP 0.047UF	10% 25V
				C2225	1-164-858-11	CERAMIC CHIP 22PF	5.00% 50V
				C2227	1-112-777-11	CERAMIC CHIP 0.01UF	10% 25V
				C2228	1-164-872-11	CERAMIC CHIP 82PF	5.00% 50V
				C2229	1-164-876-11	CERAMIC CHIP 120PF	5.00% 50V

REF.NO.	PART.NO	DESCRIPTION	REMARK	REF.NO.	PART.NO	DESCRIPTION	REMARK
C2230	1-112-001-81	CERAMIC CHIP 270PF	5% 50V	C3049	1-100-831-91	CERAMIC CHIP 0.001UF	2% 50V
C2231	1-164-850-11	CERAMIC CHIP 10PF	0.50PF 50V	C3050	1-164-227-11	CERAMIC CHIP 0.022UF	10.00% 25V
C2232	1-112-777-11	CERAMIC CHIP 0.01UF	10% 25V	C3051	1-100-831-91	CERAMIC CHIP 0.001UF	2% 50V
C2235	1-100-904-11	CERAMIC CHIP 330PF	10% 50V	C3052	1-100-831-91	CERAMIC CHIP 0.001UF	2% 50V
C2236	1-165-900-11	ELECT CHIP 100UF	20% 16V	C3053	1-100-831-91	CERAMIC CHIP 0.001UF	2% 50V
C2237	1-126-204-11	ELECT CHIP 47UF	20.00% 16V	C3054	1-114-327-11	CERAMIC CHIP 1UF	10% 16V
C2238	1-100-916-11	CERAMIC CHIP 0.1UF	10% 16V	C3055	1-114-327-11	CERAMIC CHIP 1UF	10% 16V
C2239	1-100-916-11	CERAMIC CHIP 0.1UF	10% 16V	C3056	1-126-395-11	ELECT CHIP 22UF	20.00% 16V
C2241	1-164-874-11	CERAMIC CHIP 100PF	5.00% 50V	C3057	1-126-395-11	ELECT CHIP 22UF	20.00% 16V
C2242	1-117-720-11	CERAMIC CHIP 4.7UF	10V	C3062	1-114-325-11	CERAMIC CHIP 0.1UF	10% 25V
C2243	1-115-339-11	CERAMIC CHIP 0.1UF	10.00% 50V	C3063	1-100-909-11	CERAMIC CHIP 10UF	10% 6.3V
C2244	1-115-339-11	CERAMIC CHIP 0.1UF	10.00% 50V	C3200	1-126-396-11	ELECT CHIP 47UF	20.00% 16V
C2245	1-165-882-91	CERAMIC CHIP 2.2UF	50V	C3202	1-126-396-11	ELECT CHIP 47UF	20.00% 16V
C2246	1-115-339-11	CERAMIC CHIP 0.1UF	10.00% 50V	C3205	1-125-889-11	CERAMIC CHIP 2.2UF	10% 10V
C2247	1-115-339-11	CERAMIC CHIP 0.1UF	10.00% 50V	C3206	1-125-889-11	CERAMIC CHIP 2.2UF	10% 10V
C2248	1-115-339-11	CERAMIC CHIP 0.1UF	10.00% 50V	C3209	1-125-889-11	CERAMIC CHIP 2.2UF	10% 10V
C2249	1-115-339-11	CERAMIC CHIP 0.1UF	10.00% 50V	C3210	1-125-889-11	CERAMIC CHIP 2.2UF	10% 10V
C2250	1-115-339-11	CERAMIC CHIP 0.1UF	10.00% 50V	C3213	1-126-396-11	ELECT CHIP 47UF	20.00% 16V
C2253	1-164-874-11	CERAMIC CHIP 100PF	5.00% 50V	C3214	1-100-905-11	CERAMIC CHIP 0.001UF	10% 50V
C2254	1-164-874-11	CERAMIC CHIP 100PF	5.00% 50V	C3215	1-100-916-11	CERAMIC CHIP 0.1UF	10% 16V
C2255	1-100-567-81	CERAMIC CHIP 0.01UF	10% 25V	C3216	1-100-905-11	CERAMIC CHIP 0.001UF	10% 50V
C2256	1-164-937-11	CERAMIC CHIP 0.001UF	10.00% 50V	C3217	1-164-874-11	CERAMIC CHIP 100PF	5.00% 50V
C2257	1-115-339-11	CERAMIC CHIP 0.1UF	10.00% 50V	C3218	1-125-889-11	CERAMIC CHIP 2.2UF	10% 10V
C2258	1-115-339-11	CERAMIC CHIP 0.1UF	10.00% 50V	C3219	1-164-874-11	CERAMIC CHIP 100PF	5.00% 50V
C2259	1-100-588-21	ELECT CHIP 1000UF	20% 6.3V	C3222	1-126-396-11	ELECT CHIP 47UF	20.00% 16V
C3000	1-162-959-11	CERAMIC CHIP 330PF	5.00% 50V	C3223	1-126-396-11	ELECT CHIP 47UF	20.00% 16V
C3001	1-162-959-11	CERAMIC CHIP 330PF	5.00% 50V	C3224	1-100-916-11	CERAMIC CHIP 0.1UF	10% 16V
C3004	1-162-927-11	CERAMIC CHIP 100PF	5.00% 50V	C3225	1-100-916-11	CERAMIC CHIP 0.1UF	10% 16V
C3005	1-162-927-11	CERAMIC CHIP 100PF	5.00% 50V	C3226	1-100-831-91	CERAMIC CHIP 0.001UF	2% 50V
C3006	1-112-780-11	CERAMIC CHIP 0.47UF	10% 16V	C3227	1-164-315-11	CERAMIC CHIP 470PF	5.00% 50V
C3007	1-164-227-11	CERAMIC CHIP 0.022UF	10.00% 25V	C3234	1-164-315-11	CERAMIC CHIP 470PF	5.00% 50V
C3008	1-100-831-91	CERAMIC CHIP 0.001UF	2% 50V	C3235	1-164-315-11	CERAMIC CHIP 470PF	5.00% 50V
C3009	1-164-227-11	CERAMIC CHIP 0.022UF	10.00% 25V	C3236	1-164-315-11	CERAMIC CHIP 470PF	5.00% 50V
C3010	1-100-831-91	CERAMIC CHIP 0.001UF	2% 50V	C3240	1-117-681-11	ELECT CHIP 100UF	20.00% 16V
C3011	1-164-505-11	CERAMIC CHIP 2.2UF	16V	C3242	1-117-681-11	ELECT CHIP 100UF	20.00% 16V
C3012	1-164-505-11	CERAMIC CHIP 2.2UF	16V	C3243	1-124-779-00	ELECT CHIP 10UF	20.00% 16V
C3013	1-100-831-91	CERAMIC CHIP 0.001UF	2% 50V	C3244	1-125-891-11	CERAMIC CHIP 0.47UF	10.00% 10V
C3014	1-100-831-91	CERAMIC CHIP 0.001UF	2% 50V	C3245	1-100-912-11	CERAMIC CHIP 1UF	10% 25V
C3019	1-114-327-11	CERAMIC CHIP 1UF	10% 16V	C3400	1-100-916-11	CERAMIC CHIP 0.1UF	10% 16V
C3020	1-114-327-11	CERAMIC CHIP 1UF	10% 16V	C3401	1-126-394-11	ELECT CHIP 10UF	20.00% 16V
C3021	1-114-327-11	CERAMIC CHIP 1UF	10% 16V	C3402	1-126-394-11	ELECT CHIP 10UF	20.00% 16V
C3022	1-114-327-11	CERAMIC CHIP 1UF	10% 16V	C3407	1-114-331-11	CERAMIC CHIP 4.7UF	10% 10V
C3023	1-126-395-11	ELECT CHIP 22UF	20.00% 16V	C3408	1-114-331-11	CERAMIC CHIP 4.7UF	10% 10V
C3024	1-126-395-11	ELECT CHIP 22UF	20.00% 16V	C3411	1-164-874-11	CERAMIC CHIP 100PF	5.00% 50V
C3027	1-100-909-11	CERAMIC CHIP 10UF	10% 6.3V	C3414	1-164-874-11	CERAMIC CHIP 100PF	5.00% 50V
C3028	1-114-325-11	CERAMIC CHIP 0.1UF	10% 25V	C3415	1-164-874-11	CERAMIC CHIP 100PF	5.00% 50V
C3039	1-100-916-11	CERAMIC CHIP 0.1UF	10% 16V	C3417	1-126-394-11	ELECT CHIP 10UF	20.00% 16V
C3046	1-114-327-11	CERAMIC CHIP 1UF	10% 16V	C3419	1-100-916-11	CERAMIC CHIP 0.1UF	10% 16V
C3047	1-114-327-11	CERAMIC CHIP 1UF	10% 16V	C3420	1-100-916-11	CERAMIC CHIP 0.1UF	10% 16V
C3048	1-164-227-11	CERAMIC CHIP 0.022UF	10.00% 25V	C3421	1-126-394-11	ELECT CHIP 10UF	20.00% 16V

REF.NO.	PART.NO	DESCRIPTION	REMARK	REF.NO.	PART.NO	DESCRIPTION	REMARK
C3422	1-114-327-11	CERAMIC CHIP 1UF	10% 16V	C4072	1-112-775-11	CERAMIC CHIP 0.0022UF	10% 50V
C3423	1-114-327-11	CERAMIC CHIP 1UF	10% 16V	C4073	1-100-916-11	CERAMIC CHIP 0.1UF	10% 16V
C3424	1-100-916-11	CERAMIC CHIP 0.1UF	10% 16V	C4074	1-124-779-00	ELECT CHIP 10UF	20.00% 16V
C3600	1-165-900-11	ELECT CHIP 100UF	20% 16V	C4076	1-100-916-11	CERAMIC CHIP 0.1UF	10% 16V
C3601	1-164-156-11	CERAMIC CHIP 0.1UF	25V	C4077	1-162-928-11	CERAMIC CHIP 120PF	5.00% 50V
C4001	1-125-891-11	CERAMIC CHIP 0.47UF	10.00% 10V	C4080	1-100-916-11	CERAMIC CHIP 0.1UF	10% 16V
C4002	1-125-891-11	CERAMIC CHIP 0.47UF	10.00% 10V	C4081	1-100-916-11	CERAMIC CHIP 0.1UF	10% 16V
C4004	1-125-891-11	CERAMIC CHIP 0.47UF	10.00% 10V	C4082	1-162-968-11	CERAMIC CHIP 0.0047UF	10.00% 50V
C4005	1-125-891-11	CERAMIC CHIP 0.47UF	10.00% 10V	C4085	1-100-916-11	CERAMIC CHIP 0.1UF	10% 16V
C4011	1-100-916-11	CERAMIC CHIP 0.1UF	10% 16V	C4086	1-126-396-11	ELECT CHIP 47UF	20.00% 16V
C4014	1-100-916-11	CERAMIC CHIP 0.1UF	10% 16V	C4088	1-100-916-11	CERAMIC CHIP 0.1UF	10% 16V
C4016	1-126-205-11	ELECT CHIP 47UF	20.00% 6.3V	C4089	1-100-916-11	CERAMIC CHIP 0.1UF	10% 16V
C4017	1-100-916-11	CERAMIC CHIP 0.1UF	10% 16V	C4094	1-100-916-11	CERAMIC CHIP 0.1UF	10% 16V
C4018	1-126-205-11	ELECT CHIP 47UF	20.00% 6.3V	C4095	1-112-001-81	CERAMIC CHIP 270PF	5% 50V
C4020	1-100-916-11	CERAMIC CHIP 0.1UF	10% 16V	C4096	1-100-916-11	CERAMIC CHIP 0.1UF	10% 16V
C4024	1-100-916-11	CERAMIC CHIP 0.1UF	10% 16V	C4097	1-112-777-11	CERAMIC CHIP 0.01UF	10% 25V
C4025	1-100-916-11	CERAMIC CHIP 0.1UF	10% 16V	C4098	1-100-916-11	CERAMIC CHIP 0.1UF	10% 16V
C4026	1-100-916-11	CERAMIC CHIP 0.1UF	10% 16V	C4099	1-100-916-11	CERAMIC CHIP 0.1UF	10% 16V
C4027	1-100-916-11	CERAMIC CHIP 0.1UF	10% 16V	C4101	1-162-917-11	CERAMIC CHIP 15PF	5.00% 50V
C4028	1-100-916-11	CERAMIC CHIP 0.1UF	10% 16V	C4102	1-162-917-11	CERAMIC CHIP 15PF	5.00% 50V
C4029	1-100-916-11	CERAMIC CHIP 0.1UF	10% 16V	C4103	1-164-874-11	CERAMIC CHIP 100PF	5.00% 50V
C4030	1-100-916-11	CERAMIC CHIP 0.1UF	10% 16V	C4105	1-127-715-11	CERAMIC CHIP 0.22UF	10% 16V
C4031	1-100-916-11	CERAMIC CHIP 0.1UF	10% 16V	C4106	1-115-340-11	CERAMIC CHIP 0.22UF	10.00% 25V
C4032	1-100-916-11	CERAMIC CHIP 0.1UF	10% 16V	C4107	1-112-068-11	CERAMIC CHIP 220PF	10% 50V
C4033	1-100-916-11	CERAMIC CHIP 0.1UF	10% 16V	C4111	1-126-390-11	ELECT CHIP 22UF	20.00% 6.3V
C4037	1-100-916-11	CERAMIC CHIP 0.1UF	10% 16V	C4113	1-164-874-11	CERAMIC CHIP 100PF	5.00% 50V
C4038	1-100-916-11	CERAMIC CHIP 0.1UF	10% 16V	C4114	1-164-874-11	CERAMIC CHIP 100PF	5.00% 50V
C4039	1-100-916-11	CERAMIC CHIP 0.1UF	10% 16V	C4122	1-124-779-00	ELECT CHIP 10UF	20.00% 16V
C4040	1-100-916-11	CERAMIC CHIP 0.1UF	10% 16V	C4123	1-164-874-11	CERAMIC CHIP 100PF	5.00% 50V
C4041	1-100-916-11	CERAMIC CHIP 0.1UF	10% 16V	C4300	1-162-970-11	CERAMIC CHIP 0.01UF	10.00% 25V
C4042	1-100-916-11	CERAMIC CHIP 0.1UF	10% 16V	C4301	1-162-964-11	CERAMIC CHIP 0.001UF	10.00% 50V
C4043	1-100-916-11	CERAMIC CHIP 0.1UF	10% 16V	C4302	1-126-396-11	ELECT CHIP 47UF	20.00% 16V
C4044	1-100-916-11	CERAMIC CHIP 0.1UF	10% 16V	C4305	1-100-916-11	CERAMIC CHIP 0.1UF	10% 16V
C4045	1-100-916-11	CERAMIC CHIP 0.1UF	10% 16V	C4306	1-100-916-11	CERAMIC CHIP 0.1UF	10% 16V
C4046	1-100-916-11	CERAMIC CHIP 0.1UF	10% 16V	C4307	1-100-916-11	CERAMIC CHIP 0.1UF	10% 16V
C4048	1-100-916-11	CERAMIC CHIP 0.1UF	10% 16V	C4308	1-100-916-11	CERAMIC CHIP 0.1UF	10% 16V
C4050	1-163-021-91	CERAMIC CHIP 0.01UF	10.00% 50V	C4309	1-100-916-11	CERAMIC CHIP 0.1UF	10% 16V
C4052	1-100-916-11	CERAMIC CHIP 0.1UF	10% 16V	C4310	1-100-916-11	CERAMIC CHIP 0.1UF	10% 16V
C4054	1-127-715-11	CERAMIC CHIP 0.22UF	10% 16V	C4500	1-100-916-11	CERAMIC CHIP 0.1UF	10% 16V
C4055	1-100-916-11	CERAMIC CHIP 0.1UF	10% 16V	C4511	1-100-916-11	CERAMIC CHIP 0.1UF	10% 16V
C4056	1-126-394-11	ELECT CHIP 10UF	20.00% 16V	C4516	1-100-916-11	CERAMIC CHIP 0.1UF	10% 16V
C4057	1-127-715-11	CERAMIC CHIP 0.22UF	10% 16V	C6400	1-112-777-11	CERAMIC CHIP 0.01UF	10% 25V
C4059	1-100-916-11	CERAMIC CHIP 0.1UF	10% 16V	C6401	1-112-777-11	CERAMIC CHIP 0.01UF	10% 25V
C4061	1-100-916-11	CERAMIC CHIP 0.1UF	10% 16V	C6402	1-112-777-11	CERAMIC CHIP 0.01UF	10% 25V
C4064	1-112-775-11	CERAMIC CHIP 0.0022UF	10% 50V	C6403	1-112-777-11	CERAMIC CHIP 0.01UF	10% 25V
C4065	1-112-775-11	CERAMIC CHIP 0.0022UF	10% 50V	C6404	1-112-791-11	ELECT CHIP 100UF	20% 16V
C4066	1-100-916-11	CERAMIC CHIP 0.1UF	10% 16V	C6405	1-112-777-11	CERAMIC CHIP 0.01UF	10% 25V
C4068	1-112-775-11	CERAMIC CHIP 0.0022UF	10% 50V	C6406	1-112-777-11	CERAMIC CHIP 0.01UF	10% 25V
C4069	1-112-775-11	CERAMIC CHIP 0.0022UF	10% 50V	C6407	1-164-868-11	CERAMIC CHIP 56PF	5.00% 50V
C4071	1-112-775-11	CERAMIC CHIP 0.0022UF	10% 50V	C6408	1-112-791-11	ELECT CHIP 100UF	20% 16V

REF.NO.	PART.NO	DESCRIPTION	REMARK	REF.NO.	PART.NO	DESCRIPTION	REMARK
C6409	1-100-911-11	CERAMIC CHIP 4.7UF	10% 25V	C6465	1-114-130-11	CERAMIC CHIP 1UF	6.3V
C6410	1-100-911-11	CERAMIC CHIP 4.7UF	10% 25V	C6466	1-100-916-11	CERAMIC CHIP 0.1UF	10% 16V
C6411	1-100-905-11	CERAMIC CHIP 0.001UF	10% 50V	C6468	1-164-004-11	CERAMIC CHIP 0.1UF	10.00% 25V
C6412	1-164-864-11	CERAMIC CHIP 39PF	5.00% 50V	C6469	1-114-130-11	CERAMIC CHIP 1UF	6.3V
C6413	1-126-396-11	ELECT CHIP 47UF	20.00% 16V	C6471	1-127-573-11	CERAMIC CHIP 1UF	10% 16V
C6414	1-164-677-11	CERAMIC CHIP 0.033UF	10.00% 16V	C6472	1-100-912-11	CERAMIC CHIP 1UF	10% 25V
C6415	1-100-911-11	CERAMIC CHIP 4.7UF	10% 25V	C6473	1-114-331-11	CERAMIC CHIP 4.7UF	10% 10V
C6416	1-100-916-11	CERAMIC CHIP 0.1UF	10% 16V	C6474	1-112-777-11	CERAMIC CHIP 0.01UF	10% 25V
C6417	1-112-777-11	CERAMIC CHIP 0.01UF	10% 25V	C6475	1-112-777-11	CERAMIC CHIP 0.01UF	10% 25V
C6418	1-100-912-11	CERAMIC CHIP 1UF	10% 25V	C6477	1-112-777-11	CERAMIC CHIP 0.01UF	10% 25V
C6420	1-115-412-11	CERAMIC CHIP 680PF	5.00% 25V	C6479	1-112-777-11	CERAMIC CHIP 0.01UF	10% 25V
C6421	1-164-245-11	CERAMIC CHIP 0.015UF	10.00% 25V	C6481	1-100-916-11	CERAMIC CHIP 0.1UF	10% 16V
C6422	1-100-912-11	CERAMIC CHIP 1UF	10% 25V	C6482	1-164-874-11	CERAMIC CHIP 100PF	5.00% 50V
C6423	1-127-715-11	CERAMIC CHIP 0.22UF	10% 16V	C6483	1-164-874-11	CERAMIC CHIP 100PF	5.00% 50V
C6424	1-100-916-11	CERAMIC CHIP 0.1UF	10% 16V	C6484	1-114-331-11	CERAMIC CHIP 4.7UF	10% 10V
C6425	1-127-715-11	CERAMIC CHIP 0.22UF	10% 16V	C6485	1-100-905-11	CERAMIC CHIP 0.001UF	10% 50V
C6426	1-100-912-11	CERAMIC CHIP 1UF	10% 25V	C6486	1-164-874-11	CERAMIC CHIP 100PF	5.00% 50V
C6427	1-117-681-11	ELECT CHIP 100UF	20.00% 16V	C6487	1-100-909-11	CERAMIC CHIP 10UF	10% 6.3V
C6428	1-100-909-11	CERAMIC CHIP 10UF	10% 6.3V	C6488	1-100-909-11	CERAMIC CHIP 10UF	10% 6.3V
C6429	1-100-916-11	CERAMIC CHIP 0.1UF	10% 16V	C6489	1-100-909-11	CERAMIC CHIP 10UF	10% 6.3V
C6430	1-164-245-11	CERAMIC CHIP 0.015UF	10.00% 25V	C6490	1-100-909-11	CERAMIC CHIP 10UF	10% 6.3V
C6431	1-114-415-21	ELECT CHIP 100UF	20% 6.3V	C6491	1-100-909-11	CERAMIC CHIP 10UF	10% 6.3V
C6432	1-100-905-11	CERAMIC CHIP 0.001UF	10% 50V	C6492	1-128-994-21	ELECT CHIP 47UF	20% 10V
C6433	1-100-909-11	CERAMIC CHIP 10UF	10% 6.3V	C6493	1-114-331-11	CERAMIC CHIP 4.7UF	10% 10V
C6434	1-117-681-11	ELECT CHIP 100UF	20.00% 16V	C6494	1-100-909-11	CERAMIC CHIP 10UF	10% 6.3V
C6435	1-114-415-21	ELECT CHIP 100UF	20% 6.3V	C6495	1-128-994-21	ELECT CHIP 47UF	20% 10V
C6437	1-100-916-11	CERAMIC CHIP 0.1UF	10% 16V	C6496	1-100-909-11	CERAMIC CHIP 10UF	10% 6.3V
C6438	1-112-066-11	CERAMIC CHIP 10UF	10% 10V	C6497	1-100-905-11	CERAMIC CHIP 0.001UF	10% 50V
C6439	1-100-905-11	CERAMIC CHIP 0.001UF	10% 50V	C6498	1-162-959-11	CERAMIC CHIP 330PF	5.00% 50V
C6440	1-164-868-11	CERAMIC CHIP 56PF	5.00% 50V	C6499	1-107-823-11	CERAMIC CHIP 0.47UF	10.00% 16V
C6441	1-107-823-11	CERAMIC CHIP 0.47UF	10.00% 16V	C6500	1-100-905-11	CERAMIC CHIP 0.001UF	10% 50V
C6442	1-112-774-11	CERAMIC CHIP 470PF	10% 50V	C6501	1-112-777-11	CERAMIC CHIP 0.01UF	10% 25V
C6444	1-112-774-11	CERAMIC CHIP 470PF	10% 50V	C6502	1-114-331-11	CERAMIC CHIP 4.7UF	10% 10V
C6445	1-164-874-11	CERAMIC CHIP 100PF	5.00% 50V	C6503	1-112-777-11	CERAMIC CHIP 0.01UF	10% 25V
C6446	1-100-916-11	CERAMIC CHIP 0.1UF	10% 16V	C6504	1-112-777-11	CERAMIC CHIP 0.01UF	10% 25V
C6447	1-112-774-11	CERAMIC CHIP 470PF	10% 50V	C6505	1-100-916-11	CERAMIC CHIP 0.1UF	10% 16V
C6448	1-112-774-11	CERAMIC CHIP 470PF	10% 50V	C6506	1-100-916-11	CERAMIC CHIP 0.1UF	10% 16V
C6449	1-100-905-11	CERAMIC CHIP 0.001UF	10% 50V	C6507	1-100-909-11	CERAMIC CHIP 10UF	10% 6.3V
C6450	1-100-916-11	CERAMIC CHIP 0.1UF	10% 16V	C6508	1-117-681-11	ELECT CHIP 100UF	20.00% 16V
C6451	1-112-774-11	CERAMIC CHIP 470PF	10% 50V	C6509	1-100-905-11	CERAMIC CHIP 0.001UF	10% 50V
C6452	1-164-874-11	CERAMIC CHIP 100PF	5.00% 50V	C6510	1-128-994-21	ELECT CHIP 47UF	20% 10V
C6453	1-100-905-11	CERAMIC CHIP 0.001UF	10% 50V	C6511	1-126-396-11	ELECT CHIP 47UF	20.00% 16V
C6454	1-100-905-11	CERAMIC CHIP 0.001UF	10% 50V	C6512	1-114-331-11	CERAMIC CHIP 4.7UF	10% 10V
C6455	1-112-777-11	CERAMIC CHIP 0.01UF	10% 25V	C6513	1-128-994-21	ELECT CHIP 47UF	20% 10V
C6456	1-114-130-11	CERAMIC CHIP 1UF	6.3V	C6514	1-100-905-11	CERAMIC CHIP 0.001UF	10% 50V
C6457	1-100-916-11	CERAMIC CHIP 0.1UF	10% 16V	C6515	1-126-396-11	ELECT CHIP 47UF	20.00% 16V
C6458	1-114-130-11	CERAMIC CHIP 1UF	6.3V	C6516	1-114-331-11	CERAMIC CHIP 4.7UF	10% 10V
C6459	1-100-916-11	CERAMIC CHIP 0.1UF	10% 16V	C6520	1-127-760-11	CERAMIC CHIP 4.7UF	10% 6.3V
C6460	1-100-905-11	CERAMIC CHIP 0.001UF	10% 50V	C6521	1-100-740-81	CERAMIC CHIP 390PF	5% 50V
C6463	1-100-916-11	CERAMIC CHIP 0.1UF	10% 16V	C6522	1-100-740-81	CERAMIC CHIP 390PF	5% 50V

REF.NO.	PART.NO	DESCRIPTION	REMARK	REF.NO.	PART.NO	DESCRIPTION	REMARK
C6523	1-100-740-81	CERAMIC CHIP 390PF	5% 50V	C7215	1-164-874-11	CERAMIC CHIP 100PF	5.00% 50V
C6524	1-100-740-81	CERAMIC CHIP 390PF	5% 50V	C7216	1-164-874-11	CERAMIC CHIP 100PF	5.00% 50V
C6525	1-100-740-81	CERAMIC CHIP 390PF	5% 50V	C7217	1-164-874-11	CERAMIC CHIP 100PF	5.00% 50V
C6526	1-115-339-11	CERAMIC CHIP 0.1UF	10.00% 50V	C7218	1-100-916-11	CERAMIC CHIP 0.1UF	10% 16V
C7101	1-100-911-11	CERAMIC CHIP 4.7UF	10% 25V	C7219	1-100-916-11	CERAMIC CHIP 0.1UF	10% 16V
C7102	1-114-331-11	CERAMIC CHIP 4.7UF	10% 10V	C7220	1-100-916-11	CERAMIC CHIP 0.1UF	10% 16V
C7104	1-100-916-11	CERAMIC CHIP 0.1UF	10% 16V	C7221	1-100-916-11	CERAMIC CHIP 0.1UF	10% 16V
C7105	1-100-916-11	CERAMIC CHIP 0.1UF	10% 16V	C7222	1-100-916-11	CERAMIC CHIP 0.1UF	10% 16V
C7106	1-100-916-11	CERAMIC CHIP 0.1UF	10% 16V	C7223	1-100-916-11	CERAMIC CHIP 0.1UF	10% 16V
C7107	1-100-916-11	CERAMIC CHIP 0.1UF	10% 16V	C7224	1-114-331-11	CERAMIC CHIP 4.7UF	10% 10V
C7108	1-100-916-11	CERAMIC CHIP 0.1UF	10% 16V	C7225	1-117-681-11	ELECT CHIP 100UF	20.00% 16V
C7109	1-100-916-11	CERAMIC CHIP 0.1UF	10% 16V	C7226	1-100-916-11	CERAMIC CHIP 0.1UF	10% 16V
C7110	1-100-916-11	CERAMIC CHIP 0.1UF	10% 16V	C7227	1-100-916-11	CERAMIC CHIP 0.1UF	10% 16V
C7111	1-100-916-11	CERAMIC CHIP 0.1UF	10% 16V	C7228	1-164-860-11	CERAMIC CHIP 27PF	5.00% 50V
C7112	1-100-916-11	CERAMIC CHIP 0.1UF	10% 16V	C7229	1-164-870-11	CERAMIC CHIP 68PF	5.00% 50V
C7113	1-100-916-11	CERAMIC CHIP 0.1UF	10% 16V	C7231	1-112-777-11	CERAMIC CHIP 0.01UF	10% 25V
C7114	1-100-916-11	CERAMIC CHIP 0.1UF	10% 16V	C7232	1-164-840-11	CERAMIC CHIP 1PF	0.25PF 50V
C7115	1-100-916-11	CERAMIC CHIP 0.1UF	10% 16V	C7233	1-164-840-11	CERAMIC CHIP 1PF	0.25PF 50V
C7116	1-100-916-11	CERAMIC CHIP 0.1UF	10% 16V	C7234	1-100-916-11	CERAMIC CHIP 0.1UF	10% 16V
C7118	1-124-779-00	ELECT CHIP 10UF	20.00% 16V	C7235	1-126-205-11	ELECT CHIP 47UF	20.00% 6.3V
C7122	1-100-916-11	CERAMIC CHIP 0.1UF	10% 16V	C7236	1-104-905-11	DOUBLE LAYER 0.22F	5.5V
C7123	1-100-916-11	CERAMIC CHIP 0.1UF	10% 16V	C7300	1-100-907-11	CERAMIC CHIP 0.1UF	10% 10V
C7124	1-100-916-11	CERAMIC CHIP 0.1UF	10% 16V	C7301	1-100-907-11	CERAMIC CHIP 0.1UF	10% 10V
C7125	1-100-916-11	CERAMIC CHIP 0.1UF	10% 16V	C7302	1-100-907-11	CERAMIC CHIP 0.1UF	10% 10V
C7126	1-100-916-11	CERAMIC CHIP 0.1UF	10% 16V	C7303	1-164-937-11	CERAMIC CHIP 0.001UF	10.00% 50V
C7127	1-100-916-11	CERAMIC CHIP 0.1UF	10% 16V	C7304	1-100-907-11	CERAMIC CHIP 0.1UF	10% 10V
C7128	1-100-916-11	CERAMIC CHIP 0.1UF	10% 16V	C7305	1-164-937-11	CERAMIC CHIP 0.001UF	10.00% 50V
C7132	1-164-850-11	CERAMIC CHIP 10PF	0.50PF 50V	C7306	1-100-907-11	CERAMIC CHIP 0.1UF	10% 10V
C7136	1-100-916-11	CERAMIC CHIP 0.1UF	10% 16V	C7307	1-100-907-11	CERAMIC CHIP 0.1UF	10% 10V
C7137	1-100-916-11	CERAMIC CHIP 0.1UF	10% 16V	C7308	1-100-907-11	CERAMIC CHIP 0.1UF	10% 10V
C7138	1-100-911-11	CERAMIC CHIP 4.7UF	10% 25V	C7309	1-100-907-11	CERAMIC CHIP 0.1UF	10% 10V
C7140	1-100-916-11	CERAMIC CHIP 0.1UF	10% 16V	C7310	1-100-907-11	CERAMIC CHIP 0.1UF	10% 10V
C7141	1-100-916-11	CERAMIC CHIP 0.1UF	10% 16V	C7311	1-100-907-11	CERAMIC CHIP 0.1UF	10% 10V
C7142	1-124-779-00	ELECT CHIP 10UF	20.00% 16V	C7313	1-100-907-11	CERAMIC CHIP 0.1UF	10% 10V
C7143	1-100-916-11	CERAMIC CHIP 0.1UF	10% 16V	C7314	1-114-331-11	CERAMIC CHIP 4.7UF	10% 10V
C7144	1-100-916-11	CERAMIC CHIP 0.1UF	10% 16V	C7315	1-100-907-11	CERAMIC CHIP 0.1UF	10% 10V
C7145	1-100-916-11	CERAMIC CHIP 0.1UF	10% 16V				
C7200	1-100-916-11	CERAMIC CHIP 0.1UF	10% 16V			< CONNECTOR >	
C7201	1-114-327-11	CERAMIC CHIP 1UF	10% 16V	CN3000	*1-417-602-11	SOCKET 21PIN	
C7202	1-100-916-11	CERAMIC CHIP 0.1UF	10% 16V	CN3002	*1-417-602-11	SOCKET 21PIN	
C7203	1-100-916-11	CERAMIC CHIP 0.1UF	10% 16V	CN4001	*1-819-441-11	PWB HEADER, 13P	
C7204	1-100-916-11	CERAMIC CHIP 0.1UF	10% 16V	CN4004	1-779-936-51	CONNECTOR, FFC/FPC 18P	
C7205	1-100-905-11	CERAMIC CHIP 0.001UF	10% 50V	CN4300	1-778-652-31	CONNECTOR, FFC (ZIF) 50P	
C7208	1-100-916-11	CERAMIC CHIP 0.1UF	10% 16V	CN6400	*1-819-443-11	HEADER ASSEMBLY FOR PWB 15P	
C7209	1-114-331-11	CERAMIC CHIP 4.7UF	10% 10V	CN6401	*1-819-335-11	HEADER ASSEMBLY FOR PWB, 9P	
C7210	1-100-916-11	CERAMIC CHIP 0.1UF	10% 16V	CN6403	*1-819-475-11	HEADER ASSEMBLY FOR PWB 7P	
C7211	1-114-331-11	CERAMIC CHIP 4.7UF	10% 10V	CN7300	*1-793-769-22	CONNECTOR, CARD (PCMCIA CARD)	
C7212	1-100-916-11	CERAMIC CHIP 0.1UF	10% 16V	CN7501	1-820-209-11	MEMORY STICK CONNECTOR	
C7213	1-164-874-11	CERAMIC CHIP 100PF	5.00% 50V				
C7214	1-164-874-11	CERAMIC CHIP 100PF	5.00% 50V				



REF.NO.	PART.NO	DESCRIPTION	REMARK	REF.NO.	PART.NO	DESCRIPTION	REMARK
< DIODE >				D4003	8-719-404-50	DIODE MA111-TX	
D2201	6-501-633-01	DIODE PZU33B		D4008	8-719-404-50	DIODE MA111-TX	
D2202	6-501-614-01	DIODE PZU5.6B2		D4009	8-719-404-50	DIODE MA111-TX	
D2206	8-719-066-14	DIODE HSC277-TRF-E		D4010	6-500-335-01	DIODE MC2838-T112-1	
D3004	6-501-619-01	DIODE PZU9.1B2		D4012	6-500-335-01	DIODE MC2838-T112-1	
D3005	6-501-623-01	DIODE PZU13B2		D4013	6-501-614-01	DIODE PZU5.6B2	
D3006	6-501-619-01	DIODE PZU9.1B2		D4014	6-501-614-01	DIODE PZU5.6B2	
D3007	6-501-619-01	DIODE PZU9.1B2		D4015	6-501-614-01	DIODE PZU5.6B2	
D3008	6-501-619-01	DIODE PZU9.1B2		D6402	6-501-657-01	DIODE MA24D5000BS0	
D3009	6-501-614-01	DIODE PZU5.6B2		D6403	6-501-657-01	DIODE MA24D5000BS0	
D3010	6-501-619-01	DIODE PZU9.1B2		D6404	6-500-334-01	DIODE MC2836-T112-1	
D3011	6-501-620-01	DIODE PZU10B2		D6406	6-501-528-01	DIODE 1SMA5915BT3G	
D3012	6-501-620-01	DIODE PZU10B2		D6407	6-501-528-01	DIODE 1SMA5915BT3G	
D3013	6-501-619-01	DIODE PZU9.1B2		D6410	6-501-336-01	DIODE RSX201L-30TE25	
D3014	6-501-619-01	DIODE PZU9.1B2		D6411	6-501-336-01	DIODE RSX201L-30TE25	
D3015	6-501-619-01	DIODE PZU9.1B2		D6415	6-501-623-01	DIODE PZU13B2	
D3016	6-501-619-01	DIODE PZU9.1B2		D6416	6-501-336-01	DIODE RSX201L-30TE25	
D3017	6-501-619-01	DIODE PZU9.1B2		D6417	8-719-404-50	DIODE MA111-TX	
D3018	6-501-619-01	DIODE PZU9.1B2		D6418	6-500-334-01	DIODE MC2836-T112-1	
D3023	6-501-619-01	DIODE PZU9.1B2		D6419	6-501-336-01	DIODE RSX201L-30TE25	
D3024	6-501-619-01	DIODE PZU9.1B2		D6420	8-719-404-50	DIODE MA111-TX	
D3025	6-501-619-01	DIODE PZU9.1B2		D6421	6-501-623-01	DIODE PZU13B2	
D3026	6-501-619-01	DIODE PZU9.1B2		D6422	6-501-614-01	DIODE PZU5.6B2	
D3027	6-501-619-01	DIODE PZU9.1B2		D6423	6-501-614-01	DIODE PZU5.6B2	
D3028	6-501-619-01	DIODE PZU9.1B2		D6424	6-501-614-01	DIODE PZU5.6B2	
D3029	6-501-614-01	DIODE PZU5.6B2		D6425	6-501-614-01	DIODE PZU5.6B2	
D3030	6-501-623-01	DIODE PZU13B2		D6426	6-501-614-01	DIODE PZU5.6B2	
D3031	6-501-619-01	DIODE PZU9.1B2		D6427	6-501-614-01	DIODE PZU5.6B2	
D3032	6-501-623-01	DIODE PZU13B2		D6428	6-501-614-01	DIODE PZU5.6B2	
D3033	6-501-614-01	DIODE PZU5.6B2		D6430	6-501-336-01	DIODE RSX201L-30TE25	
D3034	6-501-614-01	DIODE PZU5.6B2		D7200	8-719-041-97	DIODE MA113- (TX)	
D3035	6-501-614-01	DIODE PZU5.6B2		ET2200	1-780-336-11	EARTH TERMINAL	
D3036	6-501-614-01	DIODE PZU5.6B2		ET2201	1-780-336-11	EARTH TERMINAL	
D3037	6-501-614-01	DIODE PZU5.6B2		ET6400	1-780-336-11	EARTH TERMINAL	
D3038	6-501-614-01	DIODE PZU5.6B2		ET6401	1-780-336-11	EARTH TERMINAL	
D3039	6-501-619-01	DIODE PZU9.1B2		ET6403	1-780-336-11	EARTH TERMINAL	
D3040	6-501-619-01	DIODE PZU9.1B2		< FERRITE BEAD >			
D3041	6-501-619-01	DIODE PZU9.1B2		FB2000	1-400-834-11	FERRITE	OUH
D3042	6-501-619-01	DIODE PZU9.1B2		FB2001	1-400-834-11	FERRITE	OUH
D3202	6-501-619-01	DIODE PZU9.1B2		FB2002	1-400-834-11	FERRITE	OUH
D3203	6-501-619-01	DIODE PZU9.1B2		FB2003	1-400-834-11	FERRITE	OUH
D3208	6-500-335-01	DIODE MC2838-T112-1		FB2004	1-400-834-11	FERRITE	OUH
D3209	8-719-404-50	DIODE MA111-TX		FB2005	1-400-834-11	FERRITE	OUH
D3210	8-719-404-50	DIODE MA111-TX		FB2006	1-400-834-11	FERRITE	OUH
D3211	8-719-404-50	DIODE MA111-TX		FB2007	1-400-834-11	FERRITE	OUH
D3212	8-719-404-50	DIODE MA111-TX		FB2008	1-400-834-11	FERRITE	OUH
D3213	6-501-619-01	DIODE PZU9.1B2		FB2009	1-400-834-11	FERRITE	OUH
D3214	8-719-404-50	DIODE MA111-TX		FB2010	1-400-834-11	FERRITE	OUH
D4000	8-719-404-50	DIODE MA111-TX					

REF.NO.	PART.NO	DESCRIPTION	REMARK	REF.NO.	PART.NO	DESCRIPTION	REMARK
FB2011	1-400-244-11	FERRITE	OUH	FB7114	1-400-834-11	FERRITE	OUH
FB2012	1-400-244-11	FERRITE	OUH	FB7115	1-400-834-11	FERRITE	OUH
FB2200	1-469-185-11	FERRITE	OUH	FB7116	1-400-834-11	FERRITE	OUH
FB2201	1-469-185-11	FERRITE	OUH	FB7117	1-400-834-11	FERRITE	OUH
FB2202	1-469-869-21	FERRITE	OUH	FB7118	1-469-869-21	FERRITE	OUH
FB3001	1-414-760-21	FERRITE	OUH	FB7200	1-400-244-11	FERRITE	OUH
FB3401	1-400-834-11	FERRITE	OUH	FB7201	1-400-244-11	FERRITE	OUH
FB3402	1-400-244-11	FERRITE	OUH	FB7202	1-400-244-11	FERRITE	OUH
FB4000	1-400-833-21	FERRITE	OUH	FB7300	1-400-834-11	FERRITE	OUH
FB4001	1-400-833-21	FERRITE	OUH	FB7301	1-400-834-11	FERRITE	OUH
FB4002	1-400-833-21	FERRITE	OUH	FB7302	1-400-834-11	FERRITE	OUH
FB4003	1-400-833-21	FERRITE	OUH	FB7303	1-400-834-11	FERRITE	OUH
FB4004	1-400-833-21	FERRITE	OUH	FB7304	1-400-834-11	FERRITE	OUH
FB4005	1-400-833-21	FERRITE	OUH	FB7305	1-400-834-11	FERRITE	OUH
FB4006	1-400-833-21	FERRITE	OUH	FB7306	1-400-834-11	FERRITE	OUH
FB4007	1-400-833-21	FERRITE	OUH	FB7307	1-400-834-11	FERRITE	OUH
FB4008	1-400-833-21	FERRITE	OUH	FB7308	1-400-834-11	FERRITE	OUH
FB4010	1-414-760-21	FERRITE	OUH	FB7309	1-469-869-21	FERRITE	OUH
FB4011	1-414-760-21	FERRITE	OUH				
FB4012	1-414-760-21	FERRITE	OUH			< IC >	
FB4013	1-414-760-21	FERRITE	OUH	IC2000	8-753-264-52	IC CXD1968R-T6	
FB4014	1-414-760-21	FERRITE	OUH	IC2002	6-709-932-01	IC MM3141CNRE	
FB4015	1-414-760-21	FERRITE	OUH	IC2200	6-704-747-01	IC TDA9886TS/V4,118	
FB4016	1-414-760-21	FERRITE	OUH	IC2202	6-709-257-01	IC 74LVC4066PW	
FB4301	1-481-395-21	INDUCTOR	OUH	IC2203	8-759-082-60	IC TC7S66FU	
FB6400	1-400-915-21	FERRITE	OUH	IC2204	6-709-607-01	IC LA5795T-TLM-E	
FB6401	1-400-089-21	FERRITE	OUH	IC3200	8-759-359-49	IC NJM3414AV (TE2)	
FB6403	1-469-324-21	FERRITE	OUH	IC3201	6-709-927-01	IC RT8H225C-TP-2	
FB6404	1-414-445-11	FERRITE	OUH	IC3400	6-710-905-01	IC AK4388ET-E2	
FB6405	1-414-445-11	FERRITE	OUH	IC3402	8-759-278-58	IC NJM4558V-TE2	
FB6406	1-414-445-11	FERRITE	OUH	IC3600	8-759-385-76	IC MC14052 BDR2	
FB6407	1-414-445-11	FERRITE	OUH	IC4001	6-701-173-01	IC MC74LVXT4053DTR2	
FB6408	1-414-445-11	FERRITE	OUH	IC4002	8-759-701-01	IC NJM2904M	
FB6409	1-414-445-11	FERRITE	OUH	IC4003	6-710-023-01	IC CAT24C32WI-GT3	
FB6410	1-400-110-21	FERRITE	OUH	IC4004	6-703-175-01	IC PST3629UL	
FB6411	1-400-110-21	FERRITE	OUH	IC4005	6-807-390-01	IC CXD9905R	
FB7100	1-469-869-21	FERRITE	OUH	IC4006	8-759-701-01	IC NJM2904M	
FB7101	1-469-869-21	FERRITE	OUH	IC4009	6-705-580-01	IC PST3616UL	
FB7102	1-469-869-21	FERRITE	OUH	IC4500	6-701-162-01	IC MC74LVX259DTR2	
FB7103	1-469-869-21	FERRITE	OUH	IC4502	6-701-166-01	IC MC74LVX4051DTR2	
FB7104	1-400-244-11	FERRITE	OUH	IC4503	6-701-162-01	IC MC74LVX259DTR2	
FB7105	1-400-244-11	FERRITE	OUH	IC6400	6-706-046-01	IC TK11185CSCL-G	
FB7106	1-400-244-11	FERRITE	OUH	IC6401	6-710-922-01	IC BD9853AFV-E2	
FB7107	1-400-244-11	FERRITE	OUH	IC6402	6-710-922-01	IC BD9853AFV-E2	
FB7108	1-400-834-11	FERRITE	OUH	IC6403	6-705-403-01	IC PQ070XZ01ZPH	
FB7109	1-400-834-11	FERRITE	OUH	IC6404	6-711-746-01	IC LD1117ASTR	
FB7110	1-400-834-11	FERRITE	OUH	IC6405	6-705-403-01	IC PQ070XZ01ZPH	
FB7111	1-400-834-11	FERRITE	OUH	IC7100	6-709-214-01	IC UPD61123F1-100-KA3-A	
FB7112	1-400-834-11	FERRITE	OUH	IC7200	6-711-534-01	IC NAND128W3A2BN6F	
FB7113	1-400-834-11	FERRITE	OUH	IC7201	6-705-306-01	IC HYB25DC256160CE-6	

**Note :** The components identified by shading and marked  $\Delta$  are critical for safety. Replace only with the part numbers specified in the parts list.

**B2**

REF.NO.	PART.NO	DESCRIPTION	REMARK	REF.NO.	PART.NO	DESCRIPTION	REMARK
IC7202	6-708-916-01	IC ICS7150MLFT		L6407	1-457-455-11	INDUCTOR	10UH
IC7203	6-700-108-01	IC RV5C387A-E2-FB		L6408	1-457-455-11	INDUCTOR	10UH
IC7300	6-706-482-01	IC TC7SH00FU(T5RSOYJF)		L6409	1-457-455-11	INDUCTOR	10UH
IC7301	6-707-850-01	IC TC74LCX245FT(EKJ)		L6410	1-412-052-21	INDUCTOR	1UH
IC7302	6-706-482-01	IC TC7SH00FU(T5RSOYJF)		L6411	1-412-052-21	INDUCTOR	1UH
IC7303	6-707-846-01	IC TC74LCX14FT(EKJ)		L6412	1-412-052-21	INDUCTOR	1UH
IC7304	6-707-853-01	IC TC74LCX541FT(EKJ)		L6413	1-414-394-11	INDUCTOR	2.2UH
IC7305	6-707-853-01	IC TC74LCX541FT(EKJ)		L6414	1-412-052-21	INDUCTOR	1UH
IC7306	6-707-853-01	IC TC74LCX541FT(EKJ)		L6415	1-412-052-21	INDUCTOR	1UH
IC7307	6-707-853-01	IC TC74LCX541FT(EKJ)		L6416	1-412-052-21	INDUCTOR	1UH
IC7308	6-707-853-01	IC TC74LCX541FT(EKJ)		L6417	1-412-052-21	INDUCTOR	1UH
IC7309	6-707-853-01	IC TC74LCX541FT(EKJ)		L6418	1-412-052-21	INDUCTOR	1UH
IC7310	6-710-593-01	IC MIC2025-1YM		L6419	1-412-052-21	INDUCTOR	1UH
	< SOCKET >			L6420	1-412-052-21	INDUCTOR	1UH
J3000	1-780-368-11	S TERMINAL BLOCK (RIGHT ANGLE)		L6421	1-412-052-21	INDUCTOR	1UH
J3004	1-819-354-31	PHONO JACK 5P		L6422	1-412-052-21	INDUCTOR	1UH
J3201	1-815-325-11	JACK		L6423	1-414-394-11	INDUCTOR	2.2UH
	< COIL >			L6424	1-414-394-11	INDUCTOR	2.2UH
L2000	1-469-842-21	INDUCTOR	0.47UH	L7100	1-414-398-11	INDUCTOR	10UH
L2001	1-412-058-11	INDUCTOR	10UH	L7200	1-412-008-31	INDUCTOR	15UH
L2002	1-412-058-11	INDUCTOR	10UH		< PROTECTOR MODULE >		
L2003	1-412-058-11	INDUCTOR	10UH	PS6400 $\Delta$	1-576-736-41	IC LINK	3.15A 24V
L2004	1-412-058-11	INDUCTOR	10UH	PS6401 $\Delta$	1-576-736-41	IC LINK	3.15A 24V
L2005	1-412-058-11	INDUCTOR	10UH	PS6402 $\Delta$	1-576-736-41	IC LINK	3.15A 24V
L2006	1-412-058-11	INDUCTOR	10UH		< TRANSISTOR >		
L2200	1-412-006-31	INDUCTOR	10UH	Q2200	8-729-620-07	TRANSISTOR 2SC3052EF-T1-LEF	
L2201	1-414-580-21	INDUCTOR	100NH	Q2201	6-551-392-01	TRANSISTOR RT6N140C-TP-1	
L2202	1-414-580-21	INDUCTOR	100NH	Q2203	8-729-422-33	TRANSISTOR 2SD601A-Q-TX	
L2203	1-412-987-31	INDUCTOR	4.7UH	Q2204	8-729-038-28	TRANSISTOR RT1N441C-TP-1	
L2204	1-414-580-21	INDUCTOR	100NH	Q2205	6-551-696-01	TRANSISTOR ISA1235AC1TP-1EF	
L2205	1-412-006-31	INDUCTOR	10UH	Q2206	8-729-027-43	TRANSISTOR DTC114EKA-T146	
L2206	1-412-987-31	INDUCTOR	4.7UH	Q2209	8-729-038-28	TRANSISTOR RT1N441C-TP-1	
L2207	1-414-521-11	INDUCTOR	10UH	Q3000	6-551-696-01	TRANSISTOR ISA1235AC1TP-1EF	
L2208	1-410-993-42	INDUCTOR	1UH	Q3001	8-729-120-28	TRANSISTOR 2SC1623-L5L6	
L2209	1-412-006-31	INDUCTOR	10UH	Q3002	6-551-696-01	TRANSISTOR ISA1235AC1TP-1EF	
L2210	1-410-993-42	INDUCTOR	1UH	Q3003	8-729-120-28	TRANSISTOR 2SC1623-L5L6	
L3200	1-412-058-11	INDUCTOR	10UH	Q3200	6-551-677-01	TRANSISTOR RTAN140M-T111-1	
L3600	1-412-058-11	INDUCTOR	10UH	Q3201	6-551-677-01	TRANSISTOR RTAN140M-T111-1	
L4003	1-412-990-41	INDUCTOR	8.2UH	Q3202	6-550-586-01	TRANSISTOR 2PA1576R-115	
L4006	1-412-052-21	INDUCTOR	1UH	Q3207	8-729-038-28	TRANSISTOR RT1N441C-TP-1	
L4300	1-400-180-21	FERRITE	0UH	Q3208	8-729-421-19	TRANSISTOR UN2213	
L6400	1-457-549-11	INDUCTOR	4.9UH	Q3600	8-729-620-07	TRANSISTOR 2SC3052EF-T1-LEF	
L6401	1-457-439-11	INDUCTOR	4.7UH	Q3601	8-729-620-07	TRANSISTOR 2SC3052EF-T1-LEF	
L6402	1-414-398-11	INDUCTOR	10UH	Q4002	8-729-028-28	TRANSISTOR 2SK2036 (TE85L)	
L6403	1-457-439-11	INDUCTOR	4.7UH	Q4005	8-729-038-28	TRANSISTOR RT1N441C-TP-1	
L6404	1-457-439-11	INDUCTOR	4.7UH	Q4006	8-729-038-28	TRANSISTOR RT1N441C-TP-1	
L6405	1-457-549-11	INDUCTOR	4.9UH	Q4007	8-729-027-43	TRANSISTOR DTC114EKA-T146	
L6406	1-457-455-11	INDUCTOR	10UH	Q4008	6-551-696-01	TRANSISTOR ISA1235AC1TP-1EF	

REF.NO.	PART.NO	DESCRIPTION	REMARK	REF.NO.	PART.NO	DESCRIPTION	REMARK
Q4009	8-729-620-07	TRANSISTOR 2SC3052EF-T1-LEF		R2014	1-218-941-81	RES-CHIP 100 5%	1/16W
Q4010	8-729-028-28	TRANSISTOR 2SK2036 (TE85L)		R2015	1-218-941-81	RES-CHIP 100 5%	1/16W
Q4011	6-551-696-01	TRANSISTOR ISA1235AC1TP-1EF		R2016	1-216-864-11	SHORT CHIP 0	
Q4013	8-729-050-10	TRANSISTOR PMBF170-215		R2017	1-218-965-11	RES-CHIP 10K 5%	1/16W
Q4014	8-729-038-28	TRANSISTOR RT1N441C-TP-1		R2018	1-218-941-81	RES-CHIP 100 5%	1/16W
Q4015	8-729-038-28	TRANSISTOR RT1N441C-TP-1		R2019	1-218-965-11	RES-CHIP 10K 5%	1/16W
Q6400	8-729-620-07	TRANSISTOR 2SC3052EF-T1-LEF		R2021	1-218-965-11	RES-CHIP 10K 5%	1/16W
Q6401	8-729-027-43	TRANSISTOR DTC114EKA-T146		R2022	1-218-941-81	RES-CHIP 100 5%	1/16W
Q6402	8-729-620-07	TRANSISTOR 2SC3052EF-T1-LEF		R2023	1-218-941-81	RES-CHIP 100 5%	1/16W
Q6403	8-729-027-43	TRANSISTOR DTC114EKA-T146		R2024	1-218-941-81	RES-CHIP 100 5%	1/16W
Q6404	8-729-027-43	TRANSISTOR DTC114EKA-T146		R2026	1-216-864-11	SHORT CHIP 0	
Q6405	8-729-620-07	TRANSISTOR 2SC3052EF-T1-LEF		R2027	1-216-864-11	SHORT CHIP 0	
Q6406	8-729-620-07	TRANSISTOR 2SC3052EF-T1-LEF		R2029	1-216-864-11	SHORT CHIP 0	
Q6407	6-550-828-01	TRANSISTOR RSQ035P03TR		R2030	1-218-989-11	RES-CHIP 1M 5%	1/16W
Q6408	6-550-828-01	TRANSISTOR RSQ035P03TR		R2201	1-218-967-11	RES-CHIP 15K 5%	1/16W
Q6409	6-550-355-01	TRANSISTOR RTQ045N03TR		R2202	1-218-953-11	RES-CHIP 1K 5%	1/16W
Q6410	6-550-355-01	TRANSISTOR RTQ045N03TR		R2208	1-218-990-81	SHORT CHIP 0	
Q6411	6-550-828-01	TRANSISTOR RSQ035P03TR		R2211	1-218-990-81	SHORT CHIP 0	
Q6412	6-551-334-01	TRANSISTOR RTL035N03TR		R2212	1-218-990-81	SHORT CHIP 0	
Q6413	6-551-696-01	TRANSISTOR ISA1235AC1TP-1EF		R2213	1-218-990-81	SHORT CHIP 0	
Q6414	8-729-620-07	TRANSISTOR 2SC3052EF-T1-LEF		R2216	1-218-990-81	SHORT CHIP 0	
Q6415	8-729-027-43	TRANSISTOR DTC114EKA-T146		R2217	1-218-990-81	SHORT CHIP 0	
Q6416	8-729-620-07	TRANSISTOR 2SC3052EF-T1-LEF		R2218	1-218-990-81	SHORT CHIP 0	
Q6417	8-729-620-07	TRANSISTOR 2SC3052EF-T1-LEF		R2220	1-218-949-11	RES-CHIP 470 5%	1/16W
Q6418	6-550-369-01	TRANSISTOR TPC8109 (TE12L)		R2222	1-216-830-11	METAL CHIP 5.6K 5%	1/10W
Q6419	6-550-585-01	TRANSISTOR 2PC4081R-115		R2223	1-218-943-11	RES-CHIP 150 5%	1/16W
Q6420	8-729-027-43	TRANSISTOR DTC114EKA-T146		R2224	1-218-959-11	RES-CHIP 3.3K 5%	1/16W
Q6421	8-729-027-43	TRANSISTOR DTC114EKA-T146		R2225	1-218-966-11	RES-CHIP 12K 5%	1/16W
Q6422	8-729-028-28	TRANSISTOR 2SK2036 (TE85L)		R2226	1-218-949-11	RES-CHIP 470 5%	1/16W
Q6423	6-550-369-01	TRANSISTOR TPC8109 (TE12L)		R2227	1-218-990-81	SHORT CHIP 0	
Q6424	6-550-585-01	TRANSISTOR 2PC4081R-115		R2228	1-218-941-81	RES-CHIP 100 5%	1/16W
Q6425	6-550-585-01	TRANSISTOR 2PC4081R-115		R2229	1-218-990-81	SHORT CHIP 0	
Q7200	6-551-696-01	TRANSISTOR ISA1235AC1TP-1EF		R2230	1-218-941-81	RES-CHIP 100 5%	1/16W
Q7201	8-729-028-28	TRANSISTOR 2SK2036 (TE85L)		R2231	1-218-977-11	RES-CHIP 100K 5%	1/16W
Q7202	8-729-028-28	TRANSISTOR 2SK2036 (TE85L)		R2232	1-218-945-11	RES-CHIP 220 5%	1/16W
Q7203	8-729-028-96	TRANSISTOR DTC114EUA-T106		R2233	1-218-956-11	RES-CHIP 1.8K 5%	1/16W
Q7204	8-729-028-86	TRANSISTOR DTA143EUA-T106		R2234	1-218-941-81	RES-CHIP 100 5%	1/16W
< RESISTOR >				R2235	1-218-990-81	SHORT CHIP 0	
R2000	1-218-965-11	RES-CHIP 10K 5%	1/16W	R2236	1-218-951-11	RES-CHIP 680 5%	1/16W
R2001	1-218-965-11	RES-CHIP 10K 5%	1/16W	R2238	1-218-990-81	SHORT CHIP 0	
R2003	1-218-965-11	RES-CHIP 10K 5%	1/16W	R2239	1-218-963-11	RES-CHIP 6.8K 5%	1/16W
R2004	1-218-941-81	RES-CHIP 100 5%	1/16W	R2240	1-218-954-11	RES-CHIP 1.2K 5%	1/16W
R2005	1-218-941-81	RES-CHIP 100 5%	1/16W	R2242	1-218-939-11	RES-CHIP 68 5%	1/16W
R2006	1-218-953-11	RES-CHIP 1K 5%	1/16W	R2243	1-218-939-11	RES-CHIP 68 5%	1/16W
R2008	1-218-941-81	RES-CHIP 100 5%	1/16W	R2244	1-218-946-11	RES-CHIP 270 5%	1/16W
R2010	1-218-989-11	RES-CHIP 1M 5%	1/16W	R2245	1-218-961-11	RES-CHIP 4.7K 5%	1/16W
R2011	1-218-941-81	RES-CHIP 100 5%	1/16W	R2247	1-218-965-11	RES-CHIP 10K 5%	1/16W
R2013	1-218-937-11	RES-CHIP 47 5%	1/16W	R2248	1-218-990-81	SHORT CHIP 0	
				R2249	1-218-944-11	RES-CHIP 180 5%	1/16W
				R2250	1-218-933-11	RES-CHIP 22 5%	1/16W

REF.NO.	PART.NO	DESCRIPTION	REMARK	REF.NO.	PART.NO	DESCRIPTION	REMARK
R2251	1-218-953-11	RES-CHIP	1K 5% 1/16W	R3030	1-216-864-11	SHORT CHIP	0
R2252	1-218-990-81	SHORT CHIP	0	R3031	1-216-864-11	SHORT CHIP	0
R2259	1-218-990-81	SHORT CHIP	0	R3032	1-216-853-11	METAL CHIP	470K 5% 1/10W
R2260	1-218-990-81	SHORT CHIP	0	R3033	1-216-853-11	METAL CHIP	470K 5% 1/10W
R2264	1-218-990-81	SHORT CHIP	0	R3034	1-216-853-11	METAL CHIP	470K 5% 1/10W
R2267	1-218-965-11	RES-CHIP	10K 5% 1/16W	R3035	1-216-853-11	METAL CHIP	470K 5% 1/10W
R2270	1-218-953-11	RES-CHIP	1K 5% 1/16W	R3036	1-216-853-11	METAL CHIP	470K 5% 1/10W
R2274	1-216-864-11	SHORT CHIP	0	R3037	1-216-853-11	METAL CHIP	470K 5% 1/10W
R2275	1-216-864-11	SHORT CHIP	0	R3038	1-216-809-11	METAL CHIP	100 5% 1/10W
R2276	1-216-864-11	SHORT CHIP	0	R3039	1-216-864-11	SHORT CHIP	0
R2279	1-218-990-81	SHORT CHIP	0	R3040	1-216-811-11	METAL CHIP	150 5% 1/10W
R2280	1-218-990-81	SHORT CHIP	0	R3041	1-216-817-11	METAL CHIP	470 5% 1/10W
R2283	1-218-990-81	SHORT CHIP	0	R3042	1-216-811-11	METAL CHIP	150 5% 1/10W
R2285	1-218-965-11	RES-CHIP	10K 5% 1/16W	R3043	1-216-840-11	METAL CHIP	39K 5% 1/10W
R2288	1-218-990-81	SHORT CHIP	0	R3044	1-216-833-11	METAL CHIP	10K 5% 1/10W
R2291	1-218-965-11	RES-CHIP	10K 5% 1/16W	R3061	1-216-813-11	METAL CHIP	220 5% 1/10W
R2293	1-218-990-81	SHORT CHIP	0	R3062	1-216-295-91	SHORT CHIP	0
R2295	1-218-990-81	SHORT CHIP	0	R3063	1-216-022-00	RES-CHIP	75 5% 1/10W
R2297	1-218-961-11	RES-CHIP	4.7K 5% 1/16W	R3065	1-216-022-00	RES-CHIP	75 5% 1/10W
R2298	1-218-957-11	RES-CHIP	2.2K 5% 1/16W	R3066	1-216-022-00	RES-CHIP	75 5% 1/10W
R2299	1-218-957-11	RES-CHIP	2.2K 5% 1/16W	R3067	1-216-022-00	RES-CHIP	75 5% 1/10W
R2300	1-218-990-81	SHORT CHIP	0	R3068	1-216-022-00	RES-CHIP	75 5% 1/10W
R2301	1-218-959-11	RES-CHIP	3.3K 5% 1/16W	R3069	1-216-815-11	METAL CHIP	330 5% 1/10W
R3000	1-216-295-91	SHORT CHIP	0	R3070	1-216-049-11	RES-CHIP	1K 5% 1/10W
R3001	1-216-864-11	SHORT CHIP	0	R3071	1-216-815-11	METAL CHIP	330 5% 1/10W
R3002	1-216-815-11	METAL CHIP	330 5% 1/10W	R3072	1-216-049-11	RES-CHIP	1K 5% 1/10W
R3003	1-216-049-11	RES-CHIP	1K 5% 1/10W	R3073	1-216-809-11	METAL CHIP	100 5% 1/10W
R3004	1-216-815-11	METAL CHIP	330 5% 1/10W	R3074	1-216-809-11	METAL CHIP	100 5% 1/10W
R3005	1-216-049-11	RES-CHIP	1K 5% 1/10W	R3075	1-216-809-11	METAL CHIP	100 5% 1/10W
R3006	1-216-022-00	RES-CHIP	75 5% 1/10W	R3076	1-216-853-11	METAL CHIP	470K 5% 1/10W
R3008	1-216-022-00	RES-CHIP	75 5% 1/10W	R3077	1-216-853-11	METAL CHIP	470K 5% 1/10W
R3009	1-216-022-00	RES-CHIP	75 5% 1/10W	R3078	1-216-864-11	SHORT CHIP	0
R3010	1-216-022-00	RES-CHIP	75 5% 1/10W	R3079	1-216-864-11	SHORT CHIP	0
R3011	1-216-022-00	RES-CHIP	75 5% 1/10W	R3080	1-216-864-11	SHORT CHIP	0
R3012	1-218-285-11	METAL CHIP	75 5% 1/10W	R3081	1-216-864-11	SHORT CHIP	0
R3013	1-216-811-11	METAL CHIP	150 5% 1/10W	R3082	1-216-864-11	SHORT CHIP	0
R3016	1-216-811-11	METAL CHIP	150 5% 1/10W	R3083	1-216-864-11	SHORT CHIP	0
R3017	1-216-821-11	METAL CHIP	1K 5% 1/10W	R3084	1-216-025-11	RES-CHIP	100 5% 1/10W
R3018	1-216-821-11	METAL CHIP	1K 5% 1/10W	R3085	1-216-025-11	RES-CHIP	100 5% 1/10W
R3019	1-216-813-11	METAL CHIP	220 5% 1/10W	R3086	1-216-033-00	RES-CHIP	220 5% 1/10W
R3020	1-216-864-11	SHORT CHIP	0	R3087	1-216-025-11	RES-CHIP	100 5% 1/10W
R3021	1-216-813-11	METAL CHIP	220 5% 1/10W	R3088	1-216-025-11	RES-CHIP	100 5% 1/10W
R3022	1-216-864-11	SHORT CHIP	0	R3089	1-216-025-11	RES-CHIP	100 5% 1/10W
R3023	1-216-025-11	RES-CHIP	100 5% 1/10W	R3090	1-216-022-00	RES-CHIP	75 5% 1/10W
R3024	1-216-033-00	RES-CHIP	220 5% 1/10W	R3091	1-216-025-11	RES-CHIP	100 5% 1/10W
R3025	1-216-025-11	RES-CHIP	100 5% 1/10W	R3092	1-216-029-00	RES-CHIP	150 5% 1/10W
R3026	1-216-025-11	RES-CHIP	100 5% 1/10W	R3093	1-216-029-00	RES-CHIP	150 5% 1/10W
R3027	1-216-025-11	RES-CHIP	100 5% 1/10W	R3094	1-216-029-00	RES-CHIP	150 5% 1/10W
R3028	1-216-022-00	RES-CHIP	75 5% 1/10W	R3095	1-216-853-11	METAL CHIP	470K 5% 1/10W
R3029	1-216-025-11	RES-CHIP	100 5% 1/10W	R3096	1-216-853-11	METAL CHIP	470K 5% 1/10W

REF.NO.	PART.NO	DESCRIPTION	REMARK	REF.NO.	PART.NO	DESCRIPTION	REMARK
R3097	1-216-853-11	METAL CHIP	470K 5% 1/10W	R3412	1-208-683-11	METAL CHIP	1K 0.5% 1/16W
R3098	1-216-853-11	METAL CHIP	470K 5% 1/10W	R3413	1-208-683-11	METAL CHIP	1K 0.5% 1/16W
R3099	1-216-029-00	RES-CHIP	150 5% 1/10W	R3414	1-218-972-11	RES-CHIP	39K 5% 1/16W
R3100	1-216-029-00	RES-CHIP	150 5% 1/10W	R3415	1-218-972-11	RES-CHIP	39K 5% 1/16W
R3101	1-216-029-00	RES-CHIP	150 5% 1/10W	R3416	1-218-968-11	RES-CHIP	18K 5% 1/16W
R3102	1-216-049-11	RES-CHIP	1K 5% 1/10W	R3417	1-218-965-11	RES-CHIP	10K 5% 1/16W
R3103	1-216-049-11	RES-CHIP	1K 5% 1/10W	R3418	1-218-965-11	RES-CHIP	10K 5% 1/16W
R3104	1-216-811-11	METAL CHIP	150 5% 1/10W	R3419	1-218-968-11	RES-CHIP	18K 5% 1/16W
R3105	1-216-817-11	METAL CHIP	470 5% 1/10W	R3420	1-218-967-11	RES-CHIP	15K 5% 1/16W
R3106	1-216-811-11	METAL CHIP	150 5% 1/10W	R3421	1-218-967-11	RES-CHIP	15K 5% 1/16W
R3107	1-216-840-11	METAL CHIP	39K 5% 1/10W	R3422	1-218-968-11	RES-CHIP	18K 5% 1/16W
R3108	1-216-833-11	METAL CHIP	10K 5% 1/10W	R3423	1-218-968-11	RES-CHIP	18K 5% 1/16W
R3206	1-218-965-11	RES-CHIP	10K 5% 1/16W	R3426	1-218-941-81	RES-CHIP	100 5% 1/16W
R3207	1-218-965-11	RES-CHIP	10K 5% 1/16W	R3427	1-218-941-81	RES-CHIP	100 5% 1/16W
R3208	1-218-961-11	RES-CHIP	4.7K 5% 1/16W	R3428	1-218-990-81	SHORT CHIP	0
R3209	1-218-973-11	RES-CHIP	47K 5% 1/16W	R3600	1-218-941-81	RES-CHIP	100 5% 1/16W
R3212	1-218-965-11	RES-CHIP	10K 5% 1/16W	R3602	1-218-941-81	RES-CHIP	100 5% 1/16W
R3213	1-218-961-11	RES-CHIP	4.7K 5% 1/16W	R3604	1-218-941-81	RES-CHIP	100 5% 1/16W
R3214	1-218-973-11	RES-CHIP	47K 5% 1/16W	R3605	1-218-990-81	SHORT CHIP	0
R3217	1-218-973-11	RES-CHIP	47K 5% 1/16W	R3606	1-218-990-81	SHORT CHIP	0
R3218	1-218-965-11	RES-CHIP	10K 5% 1/16W	R3607	1-218-990-81	SHORT CHIP	0
R3219	1-218-973-11	RES-CHIP	47K 5% 1/16W	R3608	1-218-961-11	RES-CHIP	4.7K 5% 1/16W
R3222	1-218-965-11	RES-CHIP	10K 5% 1/16W	R3609	1-218-961-11	RES-CHIP	4.7K 5% 1/16W
R3223	1-218-965-11	RES-CHIP	10K 5% 1/16W	R3611	1-218-941-81	RES-CHIP	100 5% 1/16W
R3224	1-218-977-11	RES-CHIP	100K 5% 1/16W	R3612	1-218-941-81	RES-CHIP	100 5% 1/16W
R3225	1-216-809-11	METAL CHIP	100 5% 1/10W	R3613	1-218-941-81	RES-CHIP	100 5% 1/16W
R3226	1-216-809-11	METAL CHIP	100 5% 1/10W	R3615	1-218-965-11	RES-CHIP	10K 5% 1/16W
R3227	1-216-813-11	METAL CHIP	220 5% 1/10W	R3616	1-218-965-11	RES-CHIP	10K 5% 1/16W
R3228	1-216-813-11	METAL CHIP	220 5% 1/10W	R3617	1-218-965-11	RES-CHIP	10K 5% 1/16W
R3234	1-216-864-11	SHORT CHIP	0	R3618	1-218-965-11	RES-CHIP	10K 5% 1/16W
R3235	1-216-864-11	SHORT CHIP	0	R3619	1-218-965-11	RES-CHIP	10K 5% 1/16W
R3236	1-216-864-11	SHORT CHIP	0	R3620	1-218-965-11	RES-CHIP	10K 5% 1/16W
R3240	1-216-821-11	METAL CHIP	1K 5% 1/10W	R3621	1-216-864-11	SHORT CHIP	0
R3241	1-216-837-11	METAL CHIP	22K 5% 1/10W	R3622	1-216-864-11	SHORT CHIP	0
R3242	1-216-864-11	SHORT CHIP	0	R3623	1-216-864-11	SHORT CHIP	0
R3243	1-216-817-11	METAL CHIP	470 5% 1/10W	R4005	1-218-957-11	RES-CHIP	2.2K 5% 1/16W
R3248	1-216-841-11	METAL CHIP	47K 5% 1/10W	R4010	1-208-927-11	METAL CHIP	47K 0.5% 1/16W
R3249	1-216-809-11	METAL CHIP	100 5% 1/10W	R4012	1-218-990-81	SHORT CHIP	0
R3250	1-216-833-11	METAL CHIP	10K 5% 1/10W	R4022	1-218-981-91	RES-CHIP	220K 5% 1/16W
R3251	1-216-864-11	SHORT CHIP	0	R4024	1-218-981-91	RES-CHIP	220K 5% 1/16W
R3253	1-216-864-11	SHORT CHIP	0	R4026	1-218-981-91	RES-CHIP	220K 5% 1/16W
R3254	1-216-837-11	METAL CHIP	22K 5% 1/10W	R4027	1-218-965-11	RES-CHIP	10K 5% 1/16W
R3255	1-218-990-81	SHORT CHIP	0	R4028	1-218-965-11	RES-CHIP	10K 5% 1/16W
R3401	1-218-965-11	RES-CHIP	10K 5% 1/16W	R4029	1-218-981-91	RES-CHIP	220K 5% 1/16W
R3404	1-218-965-11	RES-CHIP	10K 5% 1/16W	R4030	1-218-981-91	RES-CHIP	220K 5% 1/16W
R3405	1-218-941-81	RES-CHIP	100 5% 1/16W	R4031	1-208-911-11	METAL CHIP	10K 0.5% 1/16W
R3408	1-218-977-11	RES-CHIP	100K 5% 1/16W	R4032	1-218-981-91	RES-CHIP	220K 5% 1/16W
R3409	1-218-977-11	RES-CHIP	100K 5% 1/16W	R4034	1-218-981-91	RES-CHIP	220K 5% 1/16W
R3410	1-218-945-11	RES-CHIP	220 5% 1/16W	R4037	1-218-981-91	RES-CHIP	220K 5% 1/16W
R3411	1-218-945-11	RES-CHIP	220 5% 1/16W	R4040	1-218-990-81	SHORT CHIP	0

REF.NO.	PART.NO	DESCRIPTION	REMARK	REF.NO.	PART.NO	DESCRIPTION	REMARK
R4041	1-218-990-81	SHORT CHIP	0	R4124	1-218-941-81	RES-CHIP	100 5% 1/16W
R4042	1-218-990-81	SHORT CHIP	0	R4125	1-218-941-81	RES-CHIP	100 5% 1/16W
R4043	1-218-990-81	SHORT CHIP	0	R4126	1-218-941-81	RES-CHIP	100 5% 1/16W
R4044	1-218-990-81	SHORT CHIP	0	R4127	1-218-941-81	RES-CHIP	100 5% 1/16W
R4045	1-208-931-11	METAL CHIP	68K 0.5% 1/16W	R4129	1-218-941-81	RES-CHIP	100 5% 1/16W
R4050	1-208-675-11	METAL CHIP	470 0.5% 1/16W	R4131	1-218-941-81	RES-CHIP	100 5% 1/16W
R4051	1-218-990-81	SHORT CHIP	0	R4133	1-218-941-81	RES-CHIP	100 5% 1/16W
R4053	1-218-990-81	SHORT CHIP	0	R4135	1-218-941-81	RES-CHIP	100 5% 1/16W
R4054	1-218-990-81	SHORT CHIP	0	R4137	1-218-941-81	RES-CHIP	100 5% 1/16W
R4055	1-218-990-81	SHORT CHIP	0	R4138	1-218-941-81	RES-CHIP	100 5% 1/16W
R4056	1-218-990-81	SHORT CHIP	0	R4139	1-218-941-81	RES-CHIP	100 5% 1/16W
R4057	1-218-990-81	SHORT CHIP	0	R4140	1-208-935-11	METAL CHIP	100K 0.5% 1/16W
R4058	1-218-990-81	SHORT CHIP	0	R4141	1-208-935-11	METAL CHIP	100K 0.5% 1/16W
R4059	1-218-990-81	SHORT CHIP	0	R4142	1-218-941-81	RES-CHIP	100 5% 1/16W
R4060	1-218-990-81	SHORT CHIP	0	R4144	1-218-970-11	RES-CHIP	27K 5% 1/16W
R4062	1-218-990-81	SHORT CHIP	0	R4145	1-208-927-11	METAL CHIP	47K 0.5% 1/16W
R4064	1-218-990-81	SHORT CHIP	0	R4148	1-218-953-11	RES-CHIP	1K 5% 1/16W
R4067	1-208-943-11	METAL CHIP	220K 0.5% 1/16W	R4149	1-218-937-11	RES-CHIP	47 5% 1/16W
R4069	1-218-990-81	SHORT CHIP	0	R4152	1-218-990-81	SHORT CHIP	0
R4070	1-218-990-81	SHORT CHIP	0	R4158	1-218-953-11	RES-CHIP	1K 5% 1/16W
R4078	1-218-847-11	METAL CHIP	1K 0.5% 1/10W	R4159	1-218-990-81	SHORT CHIP	0
R4079	1-218-941-81	RES-CHIP	100 5% 1/16W	R4178	1-218-990-81	SHORT CHIP	0
R4080	1-218-941-81	RES-CHIP	100 5% 1/16W	R4181	1-218-941-81	RES-CHIP	100 5% 1/16W
R4081	1-218-941-81	RES-CHIP	100 5% 1/16W	R4188	1-218-949-11	RES-CHIP	470 5% 1/16W
R4085	1-218-941-81	RES-CHIP	100 5% 1/16W	R4189	1-218-949-11	RES-CHIP	470 5% 1/16W
R4086	1-218-941-81	RES-CHIP	100 5% 1/16W	R4195	1-218-941-81	RES-CHIP	100 5% 1/16W
R4087	1-218-941-81	RES-CHIP	100 5% 1/16W	R4196	1-218-941-81	RES-CHIP	100 5% 1/16W
R4088	1-208-933-11	METAL CHIP	82K 0.5% 1/16W	R4206	1-218-941-81	RES-CHIP	100 5% 1/16W
R4089	1-218-990-81	SHORT CHIP	0	R4207	1-218-941-81	RES-CHIP	100 5% 1/16W
R4090	1-218-949-11	RES-CHIP	470 5% 1/16W	R4208	1-218-941-81	RES-CHIP	100 5% 1/16W
R4091	1-218-941-81	RES-CHIP	100 5% 1/16W	R4209	1-218-941-81	RES-CHIP	100 5% 1/16W
R4094	1-218-941-81	RES-CHIP	100 5% 1/16W	R4210	1-218-941-81	RES-CHIP	100 5% 1/16W
R4097	1-218-990-81	SHORT CHIP	0	R4211	1-218-941-81	RES-CHIP	100 5% 1/16W
R4098	1-218-990-81	SHORT CHIP	0	R4212	1-218-941-81	RES-CHIP	100 5% 1/16W
R4099	1-218-941-81	RES-CHIP	100 5% 1/16W	R4213	1-218-941-81	RES-CHIP	100 5% 1/16W
R4100	1-218-990-81	SHORT CHIP	0	R4214	1-218-961-11	RES-CHIP	4.7K 5% 1/16W
R4101	1-218-990-81	SHORT CHIP	0	R4216	1-218-990-81	SHORT CHIP	0
R4102	1-218-941-81	RES-CHIP	100 5% 1/16W	R4217	1-218-990-81	SHORT CHIP	0
R4103	1-218-965-11	RES-CHIP	10K 5% 1/16W	R4218	1-208-939-11	METAL CHIP	150K 0.5% 1/16W
R4107	1-218-990-81	SHORT CHIP	0	R4220	1-216-821-11	METAL CHIP	1K 5% 1/10W
R4108	1-218-990-81	SHORT CHIP	0	R4221	1-218-949-11	RES-CHIP	470 5% 1/16W
R4110	1-218-953-11	RES-CHIP	1K 5% 1/16W	R4222	1-216-832-11	METAL CHIP	8.2K 5% 1/10W
R4112	1-218-990-81	SHORT CHIP	0	R4223	1-218-990-81	SHORT CHIP	0
R4113	1-218-941-81	RES-CHIP	100 5% 1/16W	R4224	1-218-969-11	RES-CHIP	22K 5% 1/16W
R4114	1-218-941-81	RES-CHIP	100 5% 1/16W	R4225	1-218-981-91	RES-CHIP	220K 5% 1/16W
R4115	1-208-935-11	METAL CHIP	100K 0.5% 1/16W	R4229	1-208-695-11	METAL CHIP	3.3K 0.5% 1/16W
R4117	1-218-965-11	RES-CHIP	10K 5% 1/16W	R4230	1-208-927-11	METAL CHIP	47K 0.5% 1/16W
R4119	1-218-978-11	RES-CHIP	120K 5% 1/16W	R4232	1-218-965-11	RES-CHIP	10K 5% 1/16W
R4121	1-218-990-81	SHORT CHIP	0	R4233	1-218-971-11	RES-CHIP	33K 5% 1/16W
R4122	1-218-990-81	SHORT CHIP	0	R4237	1-218-990-81	SHORT CHIP	0

REF.NO.	PART.NO	DESCRIPTION	REMARK			REF.NO.	PART.NO	DESCRIPTION	REMARK		
R4238	1-218-971-11	RES-CHIP	33K	5%	1/16W	R6413	1-208-711-11	METAL CHIP	15K	0.5%	1/16W
R4240	1-218-965-11	RES-CHIP	10K	5%	1/16W	R6414	1-218-965-11	RES-CHIP	10K	5%	1/16W
R4241	1-218-941-81	RES-CHIP	100	5%	1/16W	R6415	1-208-927-11	METAL CHIP	47K	0.5%	1/16W
R4242	1-218-965-11	RES-CHIP	10K	5%	1/16W	R6416	1-208-933-11	METAL CHIP	82K	0.5%	1/16W
R4243	1-218-973-11	RES-CHIP	47K	5%	1/16W	R6417	1-208-933-11	METAL CHIP	82K	0.5%	1/16W
R4252	1-218-957-11	RES-CHIP	2.2K	5%	1/16W	R6418	1-208-703-11	METAL CHIP	6.8K	0.5%	1/16W
R4253	1-218-990-81	SHORT CHIP	0			R6420	1-218-965-11	RES-CHIP	10K	5%	1/16W
R4254	1-218-957-11	RES-CHIP	2.2K	5%	1/16W	R6421	1-208-711-11	METAL CHIP	15K	0.5%	1/16W
R4256	1-218-990-81	SHORT CHIP	0			R6422	1-218-990-81	SHORT CHIP	0		
R4257	1-218-990-81	SHORT CHIP	0			R6423	1-208-703-11	METAL CHIP	6.8K	0.5%	1/16W
R4274	1-218-990-81	SHORT CHIP	0			R6424	1-208-933-11	METAL CHIP	82K	0.5%	1/16W
R4275	1-218-990-81	SHORT CHIP	0			R6425	1-208-918-11	METAL CHIP	20K	0.5%	1/16W
R4276	1-218-990-81	SHORT CHIP	0			R6426	1-218-990-81	SHORT CHIP	0		
R4277	1-218-941-81	RES-CHIP	100	5%	1/16W	R6427	1-218-965-11	RES-CHIP	10K	5%	1/16W
R4278	1-218-990-81	SHORT CHIP	0			R6429	1-208-911-11	METAL CHIP	10K	0.5%	1/16W
R4279	1-218-953-11	RES-CHIP	1K	5%	1/16W	R6430	1-218-990-81	SHORT CHIP	0		
R4280	1-218-965-11	RES-CHIP	10K	5%	1/16W	R6431	1-218-990-81	SHORT CHIP	0		
R4283	1-218-941-11	RES-CHIP	100	5%	1/16W	R6432	1-218-990-81	SHORT CHIP	0		
R4284	1-218-941-11	RES-CHIP	100	5%	1/16W	R6433	1-216-295-91	SHORT CHIP	0		
R4305	1-218-937-11	RES-CHIP	47	5%	1/16W	R6434	1-218-990-81	SHORT CHIP	0		
R4308	1-218-937-11	RES-CHIP	47	5%	1/16W	R6436	1-218-990-81	SHORT CHIP	0		
R4309	1-218-937-11	RES-CHIP	47	5%	1/16W	R6437	1-208-711-11	METAL CHIP	15K	0.5%	1/16W
R4311	1-218-990-81	SHORT CHIP	0			R6439	1-218-990-81	SHORT CHIP	0		
R4506	1-218-961-11	RES-CHIP	4.7K	5%	1/16W	R6440	1-218-990-81	SHORT CHIP	0		
R4507	1-218-961-11	RES-CHIP	4.7K	5%	1/16W	R6441	1-218-990-81	SHORT CHIP	0		
R4509	1-218-961-11	RES-CHIP	4.7K	5%	1/16W	R6442	1-208-909-11	METAL CHIP	8.2K	0.5%	1/16W
R4510	1-218-961-11	RES-CHIP	4.7K	5%	1/16W	R6443	1-216-864-11	SHORT CHIP	0		
R4518	1-218-963-11	RES-CHIP	6.8K	5%	1/16W	R6446	1-208-703-11	METAL CHIP	6.8K	0.5%	1/16W
R4523	1-218-957-11	RES-CHIP	2.2K	5%	1/16W	R6447	1-218-990-81	SHORT CHIP	0		
R4537	1-218-963-11	RES-CHIP	6.8K	5%	1/16W	R6448	1-208-939-11	METAL CHIP	150K	0.5%	1/16W
R4540	1-218-957-11	RES-CHIP	2.2K	5%	1/16W	R6449	1-208-911-11	METAL CHIP	10K	0.5%	1/16W
R4542	1-218-941-81	RES-CHIP	100	5%	1/16W	R6450	1-208-935-11	METAL CHIP	100K	0.5%	1/16W
R4544	1-216-821-11	METAL CHIP	1K	5%	1/10W	R6451	1-216-295-91	SHORT CHIP	0		
R4546	1-218-941-81	RES-CHIP	100	5%	1/16W	R6452	1-216-864-11	SHORT CHIP	0		
R4548	1-218-941-81	RES-CHIP	100	5%	1/16W	R6453	1-218-860-11	METAL CHIP	3.6K	0.5%	1/10W
R4549	1-218-941-81	RES-CHIP	100	5%	1/16W	R6454	1-216-864-11	SHORT CHIP	0		
R4551	1-218-941-81	RES-CHIP	100	5%	1/16W	R6455	1-218-853-11	METAL CHIP	1.8K	0.5%	1/10W
R4552	1-218-941-81	RES-CHIP	100	5%	1/16W	R6456	1-216-864-11	SHORT CHIP	0		
R4553	1-218-941-81	RES-CHIP	100	5%	1/16W	R6457	1-208-711-11	METAL CHIP	15K	0.5%	1/16W
R4555	1-218-965-11	RES-CHIP	10K	5%	1/16W	R6458	1-218-965-11	RES-CHIP	10K	5%	1/16W
R4557	1-218-941-81	RES-CHIP	100	5%	1/16W	R6461	1-218-965-11	RES-CHIP	10K	5%	1/16W
R4570	1-218-941-81	RES-CHIP	100	5%	1/16W	R6462	1-218-965-11	RES-CHIP	10K	5%	1/16W
R4571	1-218-941-81	RES-CHIP	100	5%	1/16W	R6463	1-216-864-11	SHORT CHIP	0		
R6400	1-218-973-11	RES-CHIP	47K	5%	1/16W	R6464	1-218-990-81	SHORT CHIP	0		
R6401	1-218-953-11	RES-CHIP	1K	5%	1/16W	R6466	1-218-961-11	RES-CHIP	4.7K	5%	1/16W
R6403	1-218-969-11	RES-CHIP	22K	5%	1/16W	R6467	1-218-990-81	SHORT CHIP	0		
R6404	1-218-965-11	RES-CHIP	10K	5%	1/16W	R6468	1-218-965-11	RES-CHIP	10K	5%	1/16W
R6405	1-218-965-11	RES-CHIP	10K	5%	1/16W	R6469	1-216-864-11	SHORT CHIP	0		
R6409	1-218-990-81	SHORT CHIP	0			R6470	1-218-965-11	RES-CHIP	10K	5%	1/16W
R6410	1-216-864-11	SHORT CHIP	0			R6471	1-218-990-81	SHORT CHIP	0		



REF.NO.	PART.NO	DESCRIPTION	REMARK	REF.NO.	PART.NO	DESCRIPTION	REMARK
R6472	1-218-965-11	RES-CHIP	10K 5% 1/16W	R7112	1-218-961-11	RES-CHIP	4.7K 5% 1/16W
R6474	1-218-957-11	RES-CHIP	2.2K 5% 1/16W	R7115	1-218-937-11	RES-CHIP	47 5% 1/16W
R6475	1-218-957-11	RES-CHIP	2.2K 5% 1/16W	R7116	1-218-937-11	RES-CHIP	47 5% 1/16W
R6476	1-218-985-11	RES-CHIP	470K 5% 1/16W	R7118	1-218-937-11	RES-CHIP	47 5% 1/16W
R6477	1-218-892-11	METAL CHIP	75K 0.5% 1/10W	R7119	1-218-937-11	RES-CHIP	47 5% 1/16W
R6478	1-208-933-11	METAL CHIP	82K 0.5% 1/16W	R7120	1-218-937-11	RES-CHIP	47 5% 1/16W
R6479	1-218-990-81	SHORT CHIP	0	R7121	1-218-937-11	RES-CHIP	47 5% 1/16W
R6480	1-218-965-11	RES-CHIP	10K 5% 1/16W	R7122	1-218-937-11	RES-CHIP	47 5% 1/16W
R6481	1-218-941-81	RES-CHIP	100 5% 1/16W	R7123	1-218-937-11	RES-CHIP	47 5% 1/16W
R6482	1-218-979-11	RES-CHIP	150K 5% 1/16W	R7124	1-218-937-11	RES-CHIP	47 5% 1/16W
R6483	1-218-971-11	RES-CHIP	33K 5% 1/16W	R7125	1-218-937-11	RES-CHIP	47 5% 1/16W
R6484	1-218-965-11	RES-CHIP	10K 5% 1/16W	R7126	1-218-937-11	RES-CHIP	47 5% 1/16W
R6486	1-218-965-11	RES-CHIP	10K 5% 1/16W	R7127	1-218-937-11	RES-CHIP	47 5% 1/16W
R6488	1-216-809-11	METAL CHIP	100 5% 1/10W	R7128	1-218-965-11	RES-CHIP	10K 5% 1/16W
R6489	1-218-965-11	RES-CHIP	10K 5% 1/16W	R7129	1-218-937-11	RES-CHIP	47 5% 1/16W
R6491	1-218-990-81	SHORT CHIP	0	R7130	1-218-937-11	RES-CHIP	47 5% 1/16W
R6493	1-218-965-11	RES-CHIP	10K 5% 1/16W	R7131	1-218-937-11	RES-CHIP	47 5% 1/16W
R6494	1-218-957-11	RES-CHIP	2.2K 5% 1/16W	R7132	1-218-937-11	RES-CHIP	47 5% 1/16W
R6495	1-208-931-11	METAL CHIP	68K 0.5% 1/16W	R7133	1-218-990-81	SHORT CHIP	0
R6496	1-208-721-11	METAL CHIP	39K 0.5% 1/16W	R7134	1-218-937-11	RES-CHIP	47 5% 1/16W
R6498	1-216-809-11	METAL CHIP	100 5% 1/10W	R7136	1-220-174-11	RES-CHIP	200 5% 1/16W
R6500	1-218-965-11	RES-CHIP	10K 5% 1/16W	R7137	1-220-174-11	RES-CHIP	200 5% 1/16W
R6501	1-208-931-11	METAL CHIP	68K 0.5% 1/16W	R7138	1-220-174-11	RES-CHIP	200 5% 1/16W
R6502	1-218-983-11	RES-CHIP	330K 5% 1/16W	R7140	1-218-937-11	RES-CHIP	47 5% 1/16W
R6503	1-218-965-11	RES-CHIP	10K 5% 1/16W	R7141	1-220-174-11	RES-CHIP	200 5% 1/16W
R6504	1-218-965-11	RES-CHIP	10K 5% 1/16W	R7142	1-220-174-11	RES-CHIP	200 5% 1/16W
R6505	1-218-941-81	RES-CHIP	100 5% 1/16W	R7143	1-220-174-11	RES-CHIP	200 5% 1/16W
R6506	1-218-983-11	RES-CHIP	330K 5% 1/16W	R7144	1-208-671-11	METAL CHIP	330 0.5% 1/16W
R6507	1-218-983-11	RES-CHIP	330K 5% 1/16W	R7145	1-208-883-81	METAL CHIP	680 0.5% 1/16W
R6508	1-218-959-11	RES-CHIP	3.3K 5% 1/16W	R7147	1-218-990-81	SHORT CHIP	0
R6511	1-218-953-11	RES-CHIP	1K 5% 1/16W	R7148	1-208-675-11	METAL CHIP	470 0.5% 1/16W
R6512	1-208-683-11	METAL CHIP	1K 0.5% 1/16W	R7200	1-218-949-11	RES-CHIP	470 5% 1/16W
R6513	1-220-174-11	RES-CHIP	200 5% 1/16W	R7202	1-218-953-11	RES-CHIP	1K 5% 1/16W
R6514	1-208-683-11	METAL CHIP	1K 0.5% 1/16W	R7203	1-218-965-11	RES-CHIP	10K 5% 1/16W
R6515	1-218-941-11	RES-CHIP	100 5% 1/16W	R7204	1-218-953-11	RES-CHIP	1K 5% 1/16W
R6516	1-208-683-11	METAL CHIP	1K 0.5% 1/16W	R7206	1-218-949-11	RES-CHIP	470 5% 1/16W
R6517	1-216-295-91	SHORT CHIP	0	R7207	1-218-949-11	RES-CHIP	470 5% 1/16W
R6518	1-216-864-11	SHORT CHIP	0	R7208	1-218-961-11	RES-CHIP	4.7K 5% 1/16W
R6519	1-216-864-11	SHORT CHIP	0	R7209	1-218-990-81	SHORT CHIP	0
R6521	1-216-864-11	SHORT CHIP	0	R7210	1-218-990-81	SHORT CHIP	0
R6522	1-216-864-11	SHORT CHIP	0	R7211	1-218-990-81	SHORT CHIP	0
R7100	1-218-965-11	RES-CHIP	10K 5% 1/16W	R7213	1-218-990-81	SHORT CHIP	0
R7101	1-218-965-11	RES-CHIP	10K 5% 1/16W	R7214	1-218-990-81	SHORT CHIP	0
R7104	1-218-941-81	RES-CHIP	100 5% 1/16W	R7215	1-218-990-81	SHORT CHIP	0
R7106	1-218-941-81	RES-CHIP	100 5% 1/16W	R7217	1-218-939-11	RES-CHIP	68 5% 1/16W
R7107	1-218-937-11	RES-CHIP	47 5% 1/16W	R7218	1-218-941-11	RES-CHIP	100 5% 1/16W
R7108	1-218-937-11	RES-CHIP	47 5% 1/16W	R7219	1-218-941-11	RES-CHIP	100 5% 1/16W
R7109	1-218-937-11	RES-CHIP	47 5% 1/16W	R7221	1-218-965-11	RES-CHIP	10K 5% 1/16W
R7110	1-218-937-11	RES-CHIP	47 5% 1/16W	R7223	1-218-965-11	RES-CHIP	10K 5% 1/16W
R7111	1-218-961-11	RES-CHIP	4.7K 5% 1/16W	R7224	1-218-965-11	RES-CHIP	10K 5% 1/16W

REF.NO.	PART.NO	DESCRIPTION	REMARK	REF.NO.	PART.NO	DESCRIPTION	REMARK
R7226	1-218-965-11	RES-CHIP	10K 5% 1/16W	R7509	1-218-965-11	RES-CHIP	10K 5% 1/16W
R7227	1-218-953-11	RES-CHIP	1K 5% 1/16W	R7512	1-218-961-11	RES-CHIP	4.7K 5% 1/16W
R7228	1-218-939-11	RES-CHIP	68 5% 1/16W	R7513	1-218-965-11	RES-CHIP	10K 5% 1/16W
R7229	1-218-941-81	RES-CHIP	100 5% 1/16W	R7515	1-218-965-11	RES-CHIP	10K 5% 1/16W
R7230	1-218-941-81	RES-CHIP	100 5% 1/16W	< RESISTOR CHIP >			
R7231	1-218-941-81	RES-CHIP	100 5% 1/16W	RB2000	1-234-710-21	RES, CHIP NETWORK 47X8	(3816)
R7232	1-218-941-81	RES-CHIP	100 5% 1/16W	RB4300	1-234-371-21	RES, NETWORK 47	(1005X4)
R7233	1-218-937-11	RES-CHIP	47 5% 1/16W	RB4301	1-234-371-21	RES, NETWORK 47	(1005X4)
R7234	1-218-945-11	RES-CHIP	220 5% 1/16W	RB4302	1-234-371-21	RES, NETWORK 47	(1005X4)
R7235	1-218-953-11	RES-CHIP	1K 5% 1/16W	RB4303	1-234-371-21	RES, NETWORK 47	(1005X4)
R7237	1-218-941-81	RES-CHIP	100 5% 1/16W	RB4304	1-234-371-21	RES, NETWORK 47	(1005X4)
R7238	1-218-941-81	RES-CHIP	100 5% 1/16W	RB4305	1-234-371-21	RES, NETWORK 47	(1005X4)
R7241	1-218-941-81	RES-CHIP	100 5% 1/16W	RB5501	1-234-710-21	RES, CHIP NETWORK 47X8	(3816)
R7242	1-218-965-11	RES-CHIP	10K 5% 1/16W	RB5503	1-234-710-21	RES, CHIP NETWORK 47X8	(3816)
R7243	1-218-965-11	RES-CHIP	10K 5% 1/16W	RB5505	1-234-710-21	RES, CHIP NETWORK 47X8	(3816)
R7244	1-218-859-11	METAL CHIP	3.3K 0.5% 1/10W	RB7100	1-234-372-11	RES, NETWORK 100	(1005X4)
R7246	1-216-813-11	METAL CHIP	220 5% 1/10W	RB7101	1-234-378-21	RES, NETWORK 10K	(1005X4)
R7300	1-218-965-11	RES-CHIP	10K 5% 1/16W	RB7200	1-234-878-21	RES, CHIP NETWORK 1KX8	(3816)
R7302	1-218-965-11	RES-CHIP	10K 5% 1/16W	RB7202	1-234-878-21	RES, CHIP NETWORK 1KX8	(3816)
R7303	1-218-965-11	RES-CHIP	10K 5% 1/16W	RB7204	1-234-375-21	RES, NETWORK 1K	(1005X4)
R7304	1-218-965-11	RES-CHIP	10K 5% 1/16W	RB7205	1-234-702-11	RES, NETWORK 68	(1005X4)
R7305	1-218-941-81	RES-CHIP	100 5% 1/16W	RB7206	1-234-702-11	RES, NETWORK 68	(1005X4)
R7306	1-218-945-11	RES-CHIP	220 5% 1/16W	RB7207	1-234-372-11	RES, NETWORK 100	(1005X4)
R7308	1-218-941-81	RES-CHIP	100 5% 1/16W	RB7208	1-234-372-11	RES, NETWORK 100	(1005X4)
R7309	1-218-965-11	RES-CHIP	10K 5% 1/16W	RB7209	1-234-372-11	RES, NETWORK 100	(1005X4)
R7310	1-218-937-11	RES-CHIP	47 5% 1/16W	RB7210	1-234-372-11	RES, NETWORK 100	(1005X4)
R7311	1-218-937-11	RES-CHIP	47 5% 1/16W	RB7211	1-234-372-11	RES, NETWORK 100	(1005X4)
R7312	1-218-937-11	RES-CHIP	47 5% 1/16W	RB7212	1-234-702-11	RES, NETWORK 68	(1005X4)
R7313	1-218-937-11	RES-CHIP	47 5% 1/16W	RB7213	1-234-702-11	RES, NETWORK 68	(1005X4)
R7314	1-218-937-11	RES-CHIP	47 5% 1/16W	RB7500	1-234-799-21	RES, CHIP NETWORK 10KX8	(3816)
R7315	1-218-937-11	RES-CHIP	47 5% 1/16W	RB7501	1-234-372-11	RES, NETWORK 100	(1005X4)
R7316	1-218-937-11	RES-CHIP	47 5% 1/16W	SW2200	1-579-273-11	FILTER, SURFACE WAVE	
R7317	1-218-937-11	RES-CHIP	47 5% 1/16W	SW2201	1-813-564-21	FILTER, SURFACE WAVE	
R7318	1-218-937-11	RES-CHIP	47 5% 1/16W	TP6400	1-535-757-11	CHIP, CHECKER	
R7319	1-218-937-11	RES-CHIP	47 5% 1/16W	TP6401	1-535-757-11	CHIP, CHECKER	
R7320	1-218-941-81	RES-CHIP	100 5% 1/16W	< TUNER >			
R7321	1-218-941-81	RES-CHIP	100 5% 1/16W	TU2201	8-597-585-10	TUNER, FSS BTP-HC401	
R7322	1-218-941-81	RES-CHIP	100 5% 1/16W	< VARISTOR >			
R7323	1-218-965-11	RES-CHIP	10K 5% 1/16W	VD3000	1-803-974-21	VARISTOR, CHIP	(1608)
R7324	1-218-965-11	RES-CHIP	10K 5% 1/16W	VD3001	1-803-974-21	VARISTOR, CHIP	(1608)
R7325	1-218-965-11	RES-CHIP	10K 5% 1/16W	VD3202	1-804-988-21	VARISTOR, CHIP	(1608)
R7326	1-218-965-11	RES-CHIP	10K 5% 1/16W	VD3203	1-804-988-21	VARISTOR, CHIP	(1608)
R7327	1-218-965-11	RES-CHIP	10K 5% 1/16W	VD3204	1-804-988-21	VARISTOR, CHIP	(1608)
R7328	1-218-965-11	RES-CHIP	10K 5% 1/16W				
R7329	1-218-965-11	RES-CHIP	10K 5% 1/16W				
R7330	1-218-965-11	RES-CHIP	10K 5% 1/16W				
R7331	1-218-953-11	RES-CHIP	1K 5% 1/16W				
R7332	1-218-953-11	RES-CHIP	1K 5% 1/16W				
R7333	1-218-937-11	RES-CHIP	47 5% 1/16W				
R7508	1-218-965-11	RES-CHIP	10K 5% 1/16W				

**Note :** The components identified by shading and marked  $\Delta$  are critical for safety. Replace only with the part numbers specified in the parts list.

**B2 GS1**

REF.NO.	PART.NO	DESCRIPTION	REMARK	REF.NO.	PART.NO	DESCRIPTION	REMARK
< CRYSTAL >							
X2000	1-813-547-11	QUARTZ CRYSTAL UNIT		C6209	1-119-892-51	CERAMIC 470PF	10.00% 250V
X2200	1-579-477-21	VIBRATOR, CRYSTAL		C6211	1-112-226-21	ELECT 470UF	20% 16V
X4000	1-813-531-11	OSCILLATOR, CRYSTAL UNIT		C6212	1-107-826-11	CERAMIC CHIP 0.1UF	10.00% 16V
X7200	1-813-055-11	QUARTZ CRYSTAL UNIT		C6214	1-112-744-61	MYLAR 1UF	10% 450V
X7201	1-813-784-21	VIBRATOR, CRYSTAL		C6300	1-162-964-31	CERAMIC CHIP 0.001UF	5.00% 50V
				C6301	1-162-964-31	CERAMIC CHIP 0.001UF	5.00% 50V
				C6302	1-162-964-31	CERAMIC CHIP 0.001UF	5.00% 50V
				C6303	1-162-964-31	CERAMIC CHIP 0.001UF	5.00% 50V
				C6315	1-117-751-11	ELECT (BLOCK) 220UF	20% 450V
				C6316	1-107-826-11	CERAMIC CHIP 0.1UF	10.00% 16V
				C6317	1-162-927-11	CERAMIC CHIP 100PF	5.00% 50V
				C6318	1-107-910-11	ELECT 100UF	20% 50V
				C6400	1-125-891-11	CERAMIC CHIP 0.47UF	10.00% 10V
				C6401	1-125-891-11	CERAMIC CHIP 0.47UF	10.00% 10V
				C6402	1-125-891-11	CERAMIC CHIP 0.47UF	10.00% 10V
				C6403	1-125-891-11	CERAMIC CHIP 0.47UF	10.00% 10V
				C6405	1-100-566-91	CERAMIC CHIP 0.1UF	10.00% 25V
				C6406	1-125-891-11	CERAMIC CHIP 0.47UF	10.00% 10V
				C6407	1-162-959-11	CERAMIC CHIP 330PF	5.00% 50V
				C6410	1-164-245-11	CERAMIC CHIP 0.015UF	10.00% 25V
				C6412	1-100-566-91	CERAMIC CHIP 0.1UF	10.00% 25V
				C6416	1-104-329-11	CERAMIC CHIP 0.1UF	10.00% 50V
				C6417	1-164-315-11	CERAMIC CHIP 470PF	5.00% 50V
				C6418	1-164-315-11	CERAMIC CHIP 470PF	5.00% 50V
				C6419	1-115-339-11	CERAMIC CHIP 0.1UF	10.00% 50V
				C6421	1-131-992-91	CERAMIC CHIP 100000PF	35V
				C6422	1-128-959-31	ELECT 1000UF	20% 35V
				C6423	1-115-339-11	CERAMIC CHIP 0.1UF	10.00% 50V
				C6424	1-128-959-31	ELECT 1000UF	20% 35V
				C6425	1-136-171-00	FILM 0.33UF	5.00% 50V
				C6426	1-136-171-00	FILM 0.33UF	5.00% 50V
				C6427	1-104-329-11	CERAMIC CHIP 0.1UF	10.00% 50V
				C6428	1-164-245-11	CERAMIC CHIP 0.015UF	10.00% 25V
				C6429	1-100-566-91	CERAMIC CHIP 0.1UF	10.00% 25V
				C6430	1-100-566-91	CERAMIC CHIP 0.1UF	10.00% 25V
				C6431	1-100-566-91	CERAMIC CHIP 0.1UF	10.00% 25V
				C6432	1-100-566-91	CERAMIC CHIP 0.1UF	10.00% 25V
				C6433	1-100-566-91	CERAMIC CHIP 0.1UF	10.00% 25V
				C6434	1-107-888-11	ELECT 47UF	20% 25V
				C6439	1-107-894-11	ELECT 220UF	20% 35V
				C6440	1-162-959-11	CERAMIC CHIP 330PF	5.00% 50V
				C6441	1-162-964-31	CERAMIC CHIP 0.001UF	5.00% 50V
				C6442	1-162-964-31	CERAMIC CHIP 0.001UF	5.00% 50V
				< CONNECTOR >			
				CN6000	$\Delta$ *1-691-960-11	PIN, CONNECTOR (PC BOARD) 3P	
				CN6002	*1-785-706-11	PIN, CONNECTOR (PC BOARD) 10P	
				CN6200	*1-785-705-11	PIN, CONNECTOR (PC BOARD) 9P	
				CN6201	*1-785-707-11	PIN, CONNECTOR (PC BOARD) 11P	
				CN6202	*1-785-702-11	PIN, CONNECTOR (PC BOARD) 5P	
C6000	$\Delta$ 1-113-924-11	CERAMIC	0.0047UF	20.00%	250V		
C6001	$\Delta$ 1-161-964-91	CERAMIC	0.0047UF		250V		
C6002	$\Delta$ 1-119-892-51	CERAMIC	470PF	10.00%	250V		
C6003	$\Delta$ 1-165-529-11	MYLAR	0.22UF	10	275V		
C6004	$\Delta$ 1-165-530-11	MYLAR	0.47UF	10	275V		
C6005	$\Delta$ 1-119-892-51	CERAMIC	470PF	10.00%	250V		
C6006	$\Delta$ 1-161-964-91	CERAMIC	0.0047UF		250V		
C6007	$\Delta$ 1-119-892-51	CERAMIC	470PF	10.00%	250V		
C6009	1-162-970-11	CERAMIC CHIP	0.01UF	10.00%	25V		
C6010	1-162-964-11	CERAMIC CHIP	0.001UF	10.00%	50V		
C6011	1-107-888-11	ELECT	47UF	20%	25V		
C6013	1-100-831-91	CERAMIC CHIP	0.001UF	2%	50V		
C6014	1-107-905-11	ELECT	4.7UF	20%	50V		
C6015	1-162-970-11	CERAMIC CHIP	0.01UF	10.00%	25V		
C6016	1-107-906-11	ELECT	10UF	20%	50V		
C6018	1-162-970-11	CERAMIC CHIP	0.01UF	10.00%	25V		
C6019	1-107-888-11	ELECT	47UF	20%	25V		
C6020	1-115-339-11	CERAMIC CHIP	0.1UF	10.00%	50V		
C6021	1-165-908-11	CERAMIC CHIP	1UF	10%	10V		
C6022	1-107-797-11	CERAMIC	150PF	5.00%	1KV		
C6023	1-107-797-11	CERAMIC	150PF	5.00%	1KV		
C6024	1-100-311-11	FILM	22000PF	3%	800V		
C6025	1-107-902-11	ELECT	1UF	20%	50V		
C6027	1-107-902-11	ELECT	1UF	20%	50V		
C6028	1-128-959-31	ELECT	1000UF	20%	35V		
C6030	1-112-835-11	ELECT	3300UF	20%	25V		
C6031	1-115-339-11	CERAMIC CHIP	0.1UF	10.00%	50V		
C6034	1-128-950-21	ELECT	1000UF	20%	16V		
C6035	1-162-968-11	CERAMIC CHIP	0.0047UF	10.00%	50V		
C6036	1-112-238-21	ELECT	470UF	20%	25V		
C6042	1-100-566-91	CERAMIC CHIP	0.1UF	10.00%	25V		
C6043	1-162-970-11	CERAMIC CHIP	0.01UF	10.00%	25V		
C6050	1-119-891-51	CERAMIC	220PF	10.00%	250V		
C6202	1-107-903-11	ELECT	2.2UF	20%	50V		
C6205	1-107-904-11	ELECT	3.3UF	20%	50V		
C6206	1-100-139-31	FILM	0.001UF	5%	630V		
C6208	1-162-964-11	CERAMIC CHIP	0.001UF	10.00%	50V		

**Note :** The components identified by shading and marked  $\Delta$  are critical for safety. Replace only with the part numbers specified in the parts list.

**GS1**

REF.NO.	PART.NO	DESCRIPTION	REMARK	REF.NO.	PART.NO	DESCRIPTION	REMARK
CN6400	*1-779-944-11	PIN, CONNECTOR (PC BOARD) 4P		IC6001	6-709-368-01	IC MM1431ATT (CN)	
	< DIODE >			IC6002	8-759-586-17	IC TL1431CZ-AP	
D6000	8-719-510-53	DIODE D4SB60L		IC6200	6-708-801-01	IC MIP2H2	
D6001	6-500-108-01	DIODE EP05FA20		IC6201	6-709-442-01	IC MM1530ATT	
D6002	6-500-108-01	DIODE EP05FA20		IC6400	6-711-308-01	IC TDA8932BT-N2	
D6003	8-719-404-50	DIODE MA111-TX			< JUMPER RESISTOR >		
D6004	8-719-082-03	DIODE MM3Z15VT1		JR6000	1-216-295-91	SHORT CHIP	0
D6005	8-719-081-97	DIODE MMDL914T1		JR6001	1-216-295-91	SHORT CHIP	0
D6006	8-719-082-03	DIODE MM3Z15VT1		JR6002	1-216-864-11	SHORT CHIP	0
D6007	8-719-082-03	DIODE MM3Z15VT1			< COIL >		
D6008	8-719-979-64	DIODE UF4005/23		L6002 $\Delta$	1-456-507-12	LINE FILTER COIL	
D6009	8-719-082-03	DIODE MM3Z15VT1		L6003 $\Delta$	1-456-507-12	LINE FILTER COIL	
D6010	8-719-082-03	DIODE MM3Z15VT1		L6005	1-535-143-71	LEAD, JUMPER (7.5MM)	
D6018	6-501-917-01	DI SG10SC9F5-5009F23		L6204	1-414-183-41	INDUCTOR	10UH
D6019	8-719-082-04	DIODE MM3Z22VT1		L6400	1-456-755-11	INDUCTOR	47UH
D6023	8-719-404-50	DIODE MA111-TX		L6401	1-456-755-11	INDUCTOR	47UH
D6025	8-719-404-50	DIODE MA111-TX			< PHOTOCOUPLER >		
D6026	6-501-917-01	DI SG10SC9F5-5009F23		PH6000	6-600-187-01	PHOTO COUPLER	PC123Y22J00F
D6202	6-500-567-31	DIODE 10ERB20-TB3		PH6001	6-600-187-01	PHOTO COUPLER	PC123Y22J00F
D6203	6-501-297-01	DIODE 1F6G		PH6002	6-600-187-01	PHOTO COUPLER	PC123Y22J00F
D6204	8-719-510-02	DIODE D1NS4		PH6200	6-600-187-01	PHOTO COUPLER	PC123Y22J00F
D6205	6-501-043-01	DIODE UMZ16NT106			< PROTECTOR MODULE >		
D6206	6-500-567-31	DIODE 10ERB20-TB3		PS6002 $\Delta$	1-533-595-31	IC LINK	3.15A 90V
D6207	6-500-567-31	DIODE 10ERB20-TB3		PS6003 $\Delta$	1-576-736-41	IC LINK	3.15A 24V
D6211	8-719-073-35	DIODE RB551V-30TE-17			< TRANSISTOR >		
D6212	6-501-614-01	DIODE P2U5.6B2		Q6000	8-729-010-29	TRANSISTOR MSD601-RST1	
D6214	8-719-060-89	DIODE D4SBS6-F		Q6001	8-729-010-08	TRANSISTOR MSB710-R	
D6215	6-500-253-01	DIODE RB053L-30TE25		Q6002	8-729-620-07	TRANSISTOR 2SC3052EF-T1-LEF	
D6400	8-719-081-67	DIODE M1FM3		Q6003	6-551-297-01	TRANSISTOR 2SK3568 (LBS1SONY.Q	
D6401	8-719-081-67	DIODE M1FM3		Q6004	6-551-297-01	TRANSISTOR 2SK3568 (LBS1SONY.Q	
ET6000	1-537-770-21	TERMINAL BOARD, GROUND		Q6005	8-729-620-07	TRANSISTOR 2SC3052EF-T1-LEF	
	< FUSE >			Q6006	8-729-620-07	TRANSISTOR 2SC3052EF-T1-LEF	
F6000 $\Delta$	1-576-231-51	FUSE	4A 250V	Q6007	6-551-696-01	TRANSISTOR ISA1235AC1TP-1EF	
	< FERRITE BEAD >			Q6008	8-729-620-07	TRANSISTOR 2SC3052EF-T1-LEF	
FB6400	1-469-324-21	FERRITE	0UH	Q6009	8-729-620-07	TRANSISTOR 2SC3052EF-T1-LEF	
FB6401	1-469-869-21	FERRITE	0UH		< RESISTOR >		
FB6402	1-469-324-21	FERRITE	0UH	R6001	1-249-411-11	CARBON	330 5% 1/4W
FB6403	1-469-324-21	FERRITE	0UH	R6003 $\Delta$	1-218-760-11	METAL CHIP	220K 0.5% 1/10W
FB6404	1-469-324-21	FERRITE	0UH	R6004 $\Delta$	1-218-760-11	METAL CHIP	220K 0.5% 1/10W
	< CLIP FUSE >			R6005 $\Delta$	1-218-760-11	METAL CHIP	220K 0.5% 1/10W
FH6000 $\Delta$	1-533-725-21	FUSE HOLDER	6.3A 250V	R6006 $\Delta$	1-218-760-11	METAL CHIP	220K 0.5% 1/10W
	< IC >			R6007 $\Delta$	1-208-830-11	METAL CHIP	100K 0.5% 1/10W
IC6000	6-705-810-01	IC MCZ3001DB		R6008	1-218-760-11	METAL CHIP	220K 0.5% 1/10W
				R6009 $\Delta$	1-202-933-61	FUSIBLE	0.1 10% 1/2W

**Note :** The components identified by shading and marked  $\Delta$  are critical for safety. Replace only with the part numbers specified in the parts list.

**GS1**

REF.NO.	PART.NO	DESCRIPTION	REMARK	REF.NO.	PART.NO	DESCRIPTION	REMARK
R6010	1-208-852-11	METAL CHIP	820K 0.5% 1/10W	R6071	1-218-760-11	METAL CHIP	220K 0.5% 1/10W
R6011	1-208-852-11	METAL CHIP	820K 0.5% 1/10W	R6072	1-208-810-11	METAL CHIP	15K 0.5% 1/10W
R6012	1-216-837-11	METAL CHIP	22K 5% 1/10W	R6073	1-216-837-11	METAL CHIP	22K 5% 1/10W
R6013	1-208-852-11	METAL CHIP	820K 0.5% 1/10W	R6074	1-216-825-11	METAL CHIP	2.2K 5% 1/10W
R6014	1-218-760-11	METAL CHIP	220K 0.5% 1/10W	R6075	1-216-825-11	METAL CHIP	2.2K 5% 1/10W
R6015	1-218-760-11	METAL CHIP	220K 0.5% 1/10W	R6076	1-216-837-11	METAL CHIP	22K 5% 1/10W
R6016	1-216-833-11	METAL CHIP	10K 5% 1/10W	R6080	1-218-760-11	METAL CHIP	220K 0.5% 1/10W
R6017	1-208-803-11	METAL CHIP	7.5K 0.5% 1/10W	R6200	1-249-389-11	CARBON	4.7 5% 1/4W
R6018	1-218-881-11	METAL CHIP	27K 0.5% 1/10W	R6202	1-216-864-11	SHORT CHIP	0
R6020	1-218-824-11	METAL CHIP	110 0.5% 1/10W	R6203	1-216-864-11	SHORT CHIP	0
R6022	1-218-874-11	METAL CHIP	13K 0.5% 1/10W	R6204	1-249-385-11	CARBON	2.2 5% 1/4W
R6024	1-216-845-11	METAL CHIP	100K 5% 1/10W	R6205	1-243-725-21	METAL OXIDE	100K 5% 1W
R6025	1-216-833-11	METAL CHIP	10K 5% 1/10W	R6206	1-216-821-11	METAL CHIP	1K 5% 1/10W
R6026	1-216-833-11	METAL CHIP	10K 5% 1/10W	R6209	1-216-805-11	METAL CHIP	47 5% 1/10W
R6027	1-216-837-11	METAL CHIP	22K 5% 1/10W	R6210	1-218-871-11	METAL CHIP	10K 0.5% 1/10W
R6028	1-218-828-11	METAL CHIP	160 0.5% 1/10W	R6211	1-218-867-11	METAL CHIP	6.8K 0.5% 1/10W
R6029	1-216-837-11	METAL CHIP	22K 5% 1/10W	R6212	1-216-295-91	SHORT CHIP	0
R6030	1-249-393-11	CARBON	10 5% 1/4W	R6213	1-216-295-91	SHORT CHIP	0
R6031	1-249-393-11	CARBON	10 5% 1/4W	R6220	$\Delta$ 1-202-962-11	METAL	3.3 5% 10W
R6032	1-218-871-11	METAL CHIP	10K 0.5% 1/10W	R6221	1-216-827-11	METAL CHIP	3.3K 5% 1/10W
R6035	1-216-833-11	METAL CHIP	10K 5% 1/10W	R6222	1-218-879-11	METAL CHIP	22K 0.5% 1/10W
R6036	1-216-833-11	METAL CHIP	10K 5% 1/10W	R6224	1-218-865-11	METAL CHIP	5.6K 0.5% 1/10W
R6037	1-216-821-11	METAL CHIP	1K 5% 1/10W	R6243	1-216-864-11	SHORT CHIP	0
R6038	1-216-864-11	SHORT CHIP	0	R6246	1-216-864-11	SHORT CHIP	0
R6039	1-216-864-11	SHORT CHIP	0	R6247	1-216-864-11	SHORT CHIP	0
R6040	1-245-494-21	METAL	2.2M 2% 1/4W	R6400	1-218-863-11	METAL CHIP	4.7K 0.5% 1/10W
R6041	1-245-494-21	METAL	2.2M 2% 1/4W	R6401	1-218-863-11	METAL CHIP	4.7K 0.5% 1/10W
R6042	1-216-817-11	METAL CHIP	470 5% 1/10W	R6402	1-218-863-11	METAL CHIP	4.7K 0.5% 1/10W
R6043	1-216-361-00	METAL OXIDE	0.22 5% 2W	R6403	1-218-863-11	METAL CHIP	4.7K 0.5% 1/10W
R6044	1-216-864-11	SHORT CHIP	0	R6404	1-220-238-11	METAL CHIP	10 5% 1/4W
R6046	1-216-833-11	METAL CHIP	10K 5% 1/10W	R6405	1-216-841-11	METAL CHIP	47K 5% 1/10W
R6047	1-216-833-11	METAL CHIP	10K 5% 1/10W	R6406	1-216-841-11	METAL CHIP	47K 5% 1/10W
R6048	1-216-837-11	METAL CHIP	22K 5% 1/10W	R6407	1-216-833-11	METAL CHIP	10K 5% 1/10W
R6049	1-216-837-11	METAL CHIP	22K 5% 1/10W	R6408	1-216-864-11	SHORT CHIP	0
R6050	1-216-833-11	METAL CHIP	10K 5% 1/10W	R6409	1-216-864-11	SHORT CHIP	0
R6052	1-216-821-11	METAL CHIP	1K 5% 1/10W	R6410	1-216-857-11	METAL CHIP	1M 5% 1/10W
R6053	1-216-821-11	METAL CHIP	1K 5% 1/10W	R6411	1-216-857-11	METAL CHIP	1M 5% 1/10W
R6054	1-216-833-11	METAL CHIP	10K 5% 1/10W	R6413	1-220-238-11	METAL CHIP	10 5% 1/4W
R6055	1-216-864-11	SHORT CHIP	0	R6414	1-245-973-11	METAL CHIP	22 5% 1/3W
R6057	1-216-822-11	METAL CHIP	1.2K 5% 1/10W	R6420	1-216-821-11	METAL CHIP	1K 5% 1/10W
R6058	1-216-825-11	METAL CHIP	2.2K 5% 1/10W	R6421	1-216-821-11	METAL CHIP	1K 5% 1/10W
R6061	1-216-837-11	METAL CHIP	22K 5% 1/10W	R6422	1-245-973-11	METAL CHIP	22 5% 1/3W
R6062	1-218-835-11	METAL CHIP	330 0.5% 1/10W	R6423	1-220-238-11	METAL CHIP	10 5% 1/4W
R6063	1-218-865-11	METAL CHIP	5.6K 0.5% 1/10W	R6424	1-216-837-11	METAL CHIP	22K 5% 1/10W
R6064	1-218-847-11	METAL CHIP	1K 0.5% 1/10W	R6425	1-218-859-11	METAL CHIP	3.3K 0.5% 1/10W
R6065	1-216-821-11	METAL CHIP	1K 5% 1/10W	R6426	1-218-859-11	METAL CHIP	3.3K 0.5% 1/10W
R6066	1-216-829-11	METAL CHIP	4.7K 5% 1/10W				
R6068	1-216-849-11	METAL CHIP	220K 5% 1/10W				
R6069	1-208-842-11	METAL CHIP	330K 0.5% 1/10W				
R6070	1-208-842-11	METAL CHIP	330K 0.5% 1/10W				

**Note :** The components identified by shading and marked  $\Delta$  are critical for safety. Replace only with the part numbers specified in the parts list.

**GS1 H1G**

REF.NO.	PART.NO	DESCRIPTION	REMARK	REF.NO.	PART.NO	DESCRIPTION	REMARK
< TRANSFORMER >				<b>ACCESSORIES AND CONNECTORS</b>			
T6200	$\Delta$ 1-443-984-11	CONVERTER TRANSFORMER (SBT)		*1-910-041-06	FFC CABLE 50 PINS	(FFC CABLE 50 PINS)	
T6201	$\Delta$ 1-445-307-11	CONVERTER TRANSFORMER (PIT)		*1-910-041-08	SPEAKER 20G	(SPEAKER 20G)	
< VARISTOR >				*1-910-041-09	20G MAIN V/AUDIO	(MAIN V/AUDIO & STBY HARNESS & INVERTER)	
VD6000	$\Delta$ 1-804-995-11	VARISTOR		*3-276-846-11	INSTRUCTION MANUAL (UK)	ENGLISH	
<b>* A-1313-234-A H1G BOARD COMPLETE</b>				*3-276-846-21	INSTRUCTION MANUAL (AEP)	GERMAN/FRENCH/ITALIAN/DUTCH	
< CAPACITOR >				*3-276-846-31	INSTRUCTION MANUAL (AEP)	SPANISH/PORTUGUESE/GREEK	
C104	1-112-775-11	CERAMIC CHIP 0.0022UF	10% 50V	*3-276-846-41	INSTRUCTION MANUAL (AEP)	ENGLISH/RUSSIAN	
C105	1-112-775-11	CERAMIC CHIP 0.0022UF	10% 50V	*3-276-846-51	INSTRUCTION MANUAL (AEP)	POLISH/CZECH/SLOVAK/HUNGARIAN	
< CONNECTOR >				*3-276-846-61	INSTRUCTION MANUAL (AEP)	NORWEGIAN/SWEDISH/FINNISH/DANISH/TURKISH	
CN101	*1-820-180-11	HEADER ASSEMBLY (PRINT PWB) 3P		<b>REMOTE COMMANDER</b>			
< FERRITE BEAD >				1-479-658-11	REMOTE COMMANDER (RM-ED005)		
FB100	1-400-807-21	FERRITE	0UH				
FB101	1-400-807-21	FERRITE	0UH				
< RESISTOR >							
R101	1-218-841-11	METAL CHIP	560 0.5% 1/10W				
R103	1-218-833-11	METAL CHIP	270 0.5% 1/10W				
R104	1-218-841-11	METAL CHIP	560 0.5% 1/10W				
R105	1-218-859-11	METAL CHIP	3.3K 0.5% 1/10W				
R106	1-218-833-11	METAL CHIP	270 0.5% 1/10W				
R108	1-216-864-11	SHORT CHIP	0				
< SWITCH >							
S101	1-572-595-31	SWITCH, TACTILE (REFLOW TYPE)					
S102	1-572-595-31	SWITCH, TACTILE (REFLOW TYPE)					
S103	1-572-595-31	SWITCH, TACTILE (REFLOW TYPE)					
S104	1-572-595-31	SWITCH, TACTILE (REFLOW TYPE)					
S105	1-572-595-31	SWITCH, TACTILE (REFLOW TYPE)					
S106	1-572-595-31	SWITCH, TACTILE (REFLOW TYPE)					
S107	1-572-595-31	SWITCH, TACTILE (REFLOW TYPE)					