

SECTION 5 EXPLODED VIEWS

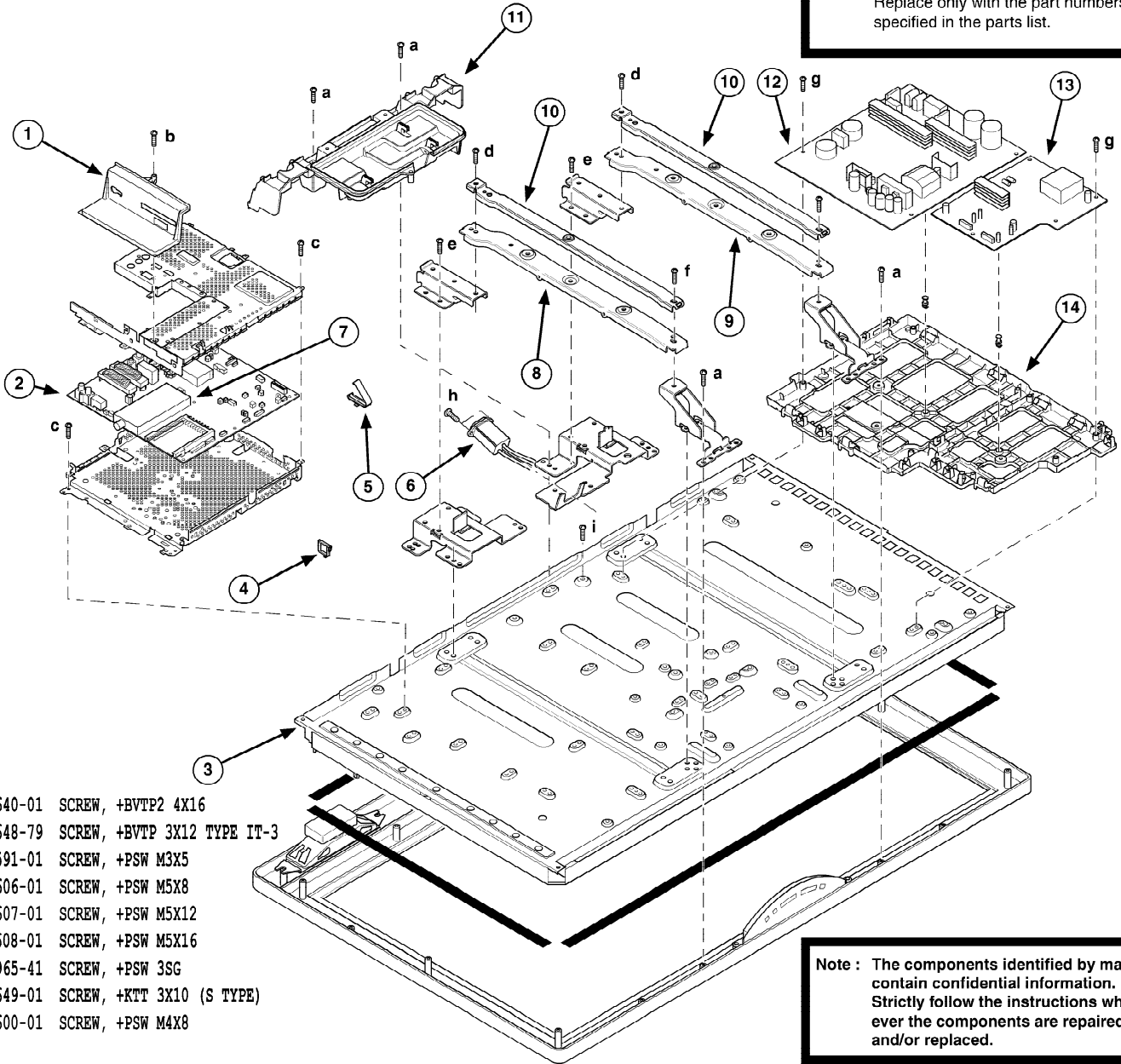
NOTE :

- Non-serviceable items with no part number and no description are not stocked because they are not required for routine service.
- The construction parts of an assembled part are indicated with a collation number in the remarks column.
- Items marked “*” are not stocked since they are seldom required for routine service. Some delay should be anticipated when ordering these items.

Note : Les composants identifiés par une trame et par une marque Δ sont d'une importance critique pour la sécurité. Ne les remplacer que par des pièces du numéro spécifique.

Note : The components identified by shading and marked Δ are critical for safety. Replace only with the part numbers specified in the parts list.

5-1. KDL-32/40D2600 - CHASSIS

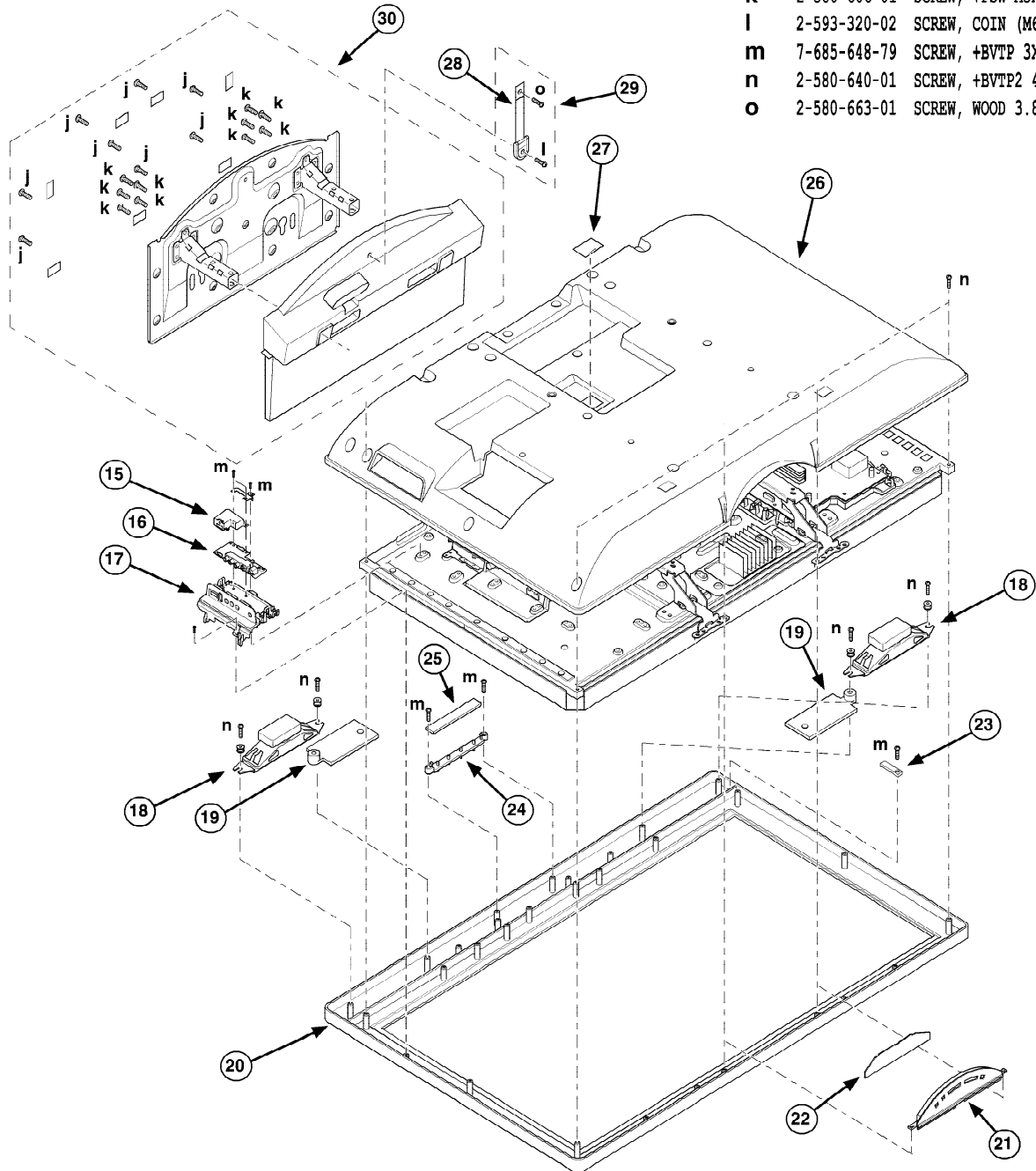


Note : The components identified by mark ⊠ contain confidential information. Strictly follow the instructions when ever the components are repaired and/or replaced.

- a** 2-580-640-01 SCREW, +BVTP2 4X16
- b** 7-685-648-79 SCREW, +BVTP 3X12 TYPE IT-3
- c** 2-580-591-01 SCREW, +PSW M3X5
- d** 2-580-606-01 SCREW, +PSW M5X8
- e** 2-580-607-01 SCREW, +PSW M5X12
- f** 2-580-608-01 SCREW, +PSW M5X16
- g** 2-674-965-41 SCREW, +PSW 3SG
- h** 2-596-649-01 SCREW, +KTT 3X10 (S TYPE)
- i** 2-580-600-01 SCREW, +PSW M4X8

REF.NO.	PART.NO	DESCRIPTION	REMARK	REF.NO.	PART.NO	DESCRIPTION	REMARK
1	X-2178-938-1	SIDE, TERMINAL(AE) ASSY		8	*X-2177-259-1	VESA ARM(40)L ASSY	KDL-40D2600
2	⊠ *A-1268-469-A	BC BOARD, COMPLETE		9	*X-2177-260-1	VESA ARM(40)R ASSY	KDL-40D2600
3	A-1252-580-A	LCD PANEL (32INCH WXGA TFT)	KDL-32D2600	10	*X-2177-257-1	VESA ARM(32) ASSY	KDL-32D2600
	A-1252-579-A	LCD PANEL (40INCH WXGA TFT)	KDL-40D2600	11	*3-100-283-11	COVER, UNDER (M)	KDL-32D2600
4	2-650-770-21	SLIDE, CLAMP	VARIOUS POSITIONS		*3-100-285-01	COVER, UNDER (L)	KDL-40D2600
5	2-595-155-02	CLAMP		12	*A-1268-617-A	G3 BOARD, COMPLETE	KDL-40D2600
6	Δ 1-819-729-14	INLET, AC (W/NOISE FILTER)	KDL-40D2600	13	*A-1268-621-A	D1 BOARD, COMPLETE	KDL-40D2600
7	8-597-613-00	TUNER UNIT DIGITAL BTD-HF401Z		14	*X-2178-424-1	BRACKET, G3 ASSY	KDL-40D2600

5-2. KDL-32/40D2600 - REAR COVER, STAND & BEZEL



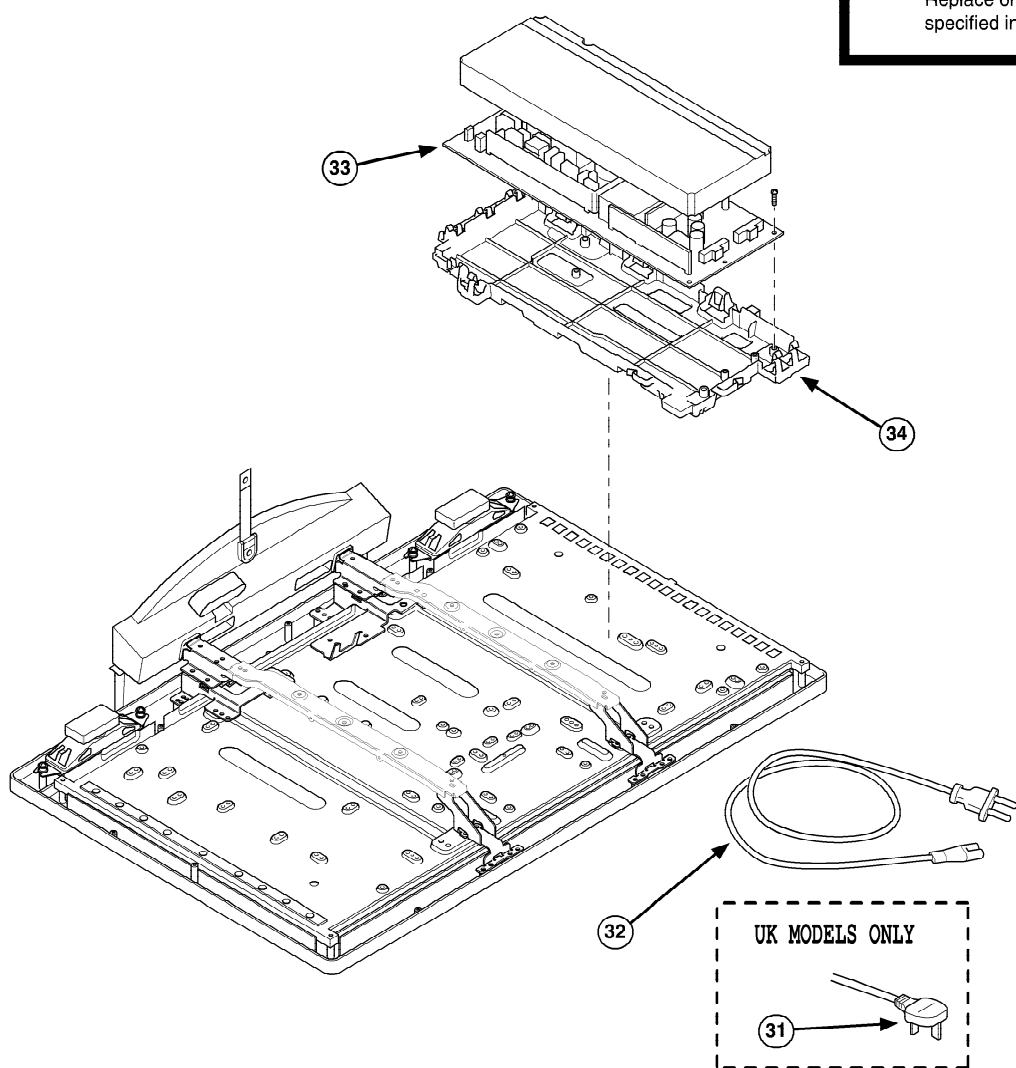
j	2-580-644-01	SCREW, +KTP2 3X8
k	2-580-606-01	SCREW, +PSW M5X8
l	2-593-320-02	SCREW, COIN (M6X18)
m	7-685-648-79	SCREW, +BVTP 3X12 TYPE2 IT-3
n	2-580-640-01	SCREW, +BVTP2 4X16
o	2-580-663-01	SCREW, WOOD 3.8X20

REF.NO.	PART.NO	DESCRIPTION	REMARK	REF.NO.	PART.NO	DESCRIPTION	REMARK
15	3-094-403-01	SHIELD, HDMI (U2)		23	*A-1242-176-A	H4 BOARD, COMPLETE	
16	*A-1268-416-A	U2 BOARD, COMPLETE		24	3-096-949-02	GUIDE, LED (D)	
17	*3-106-547-01	HOLDER, SIDE JACK (M)		25	*A-1242-175-A	H3 BOARD, COMPLETE	
18	1-826-648-11	LOUD SPEAKER (4.2X15CM)	KDL-32D2600	26	3-097-970-11	COVER, REAR (32)	KDL-32D2600
	1-826-647-11	LOUD SPEAKER (5.5X15.5CM)	KDL-40D2600		3-097-989-11	COVER, REAR (40)	KDL-40D2600
19	X-2176-952-1	BAFFLE (32E) ASSY	KDL-32D2600	27	3-106-546-01	COVER, ECS	
	X-2176-953-1	BAFFLE (40E) ASSY	KDL-40D2600	28	*X-2055-089-2	LOCK ASSY, RUDDER	
20	X-2176-647-1	BEZEL (32DE) ASSY	KDL-32D2600	29	X-2102-511-2	BAG ASSY, RUDDER LOCK	28
	X-2176-648-1	BEZEL (40DE) ASSY	KDL-40D2600	30	*X-2177-979-3	STAND (M-B) ASSY	KDL-32D2600
21	X-2178-919-1	BUTTON, MULTI ASSY			*X-2177-982-2	STAND (ML-B) ASSY	KDL-40D2600
22	*A-1242-174-A	H1 BOARD, COMPLETE					

5-3. KDL-32/40D2600 - POWER SUPPLY CORDS

Note : Les composants indentifiés par une trame et par une marque Δ sont d'une importance critique pour la securite. Ne les remplacer que par des pieces du numero specifie.

Note : The components identified by shading and marked Δ are critical for safety. Replace only with the part numbers specified in the parts list.



REF.NO.	PART.NO	DESCRIPTION	REMARK	REF.NO.	PART.NO	DESCRIPTION	REMARK
31	Δ 1-830-609-11	AC POWER-SUPPLY CORD SET	KDL-40D2600UK	33	*A-1257-919-A	G1 BOARD, COMPLETE	KDL-32D2600
	Δ 1-832-170-41	POWER SUPPLY CORD (UK PLUG)	KDL-32D2600UK	34	*3-100-996-01	BRACKET, G1	KDL-32D2600
32	Δ 1-830-611-11	POWER-SUPPLY CORD	KDL-40D2600AEP				
	Δ 1-832-132-31	POWER-SUPPLY CORD	KDL-32D2600AEP				


SECTION 6 ELECTRICAL PARTS LIST

PARTS LISTING TABLE OF CONTENTS

	Page
U2 BOARD COMPLETE Parts List :	102
BC BOARD COMPLETE Parts List :	103
G3 BOARD COMPLETE Parts List : KDL-40D2600 only	121
D1 BOARD COMPLETE Parts List : KDL-40D2600 only	125
H4 BOARD COMPLETE Parts List :	127
H3 BOARD COMPLETE Parts List :	128
H1 BOARD COMPLETE Parts List :	128
G1 BOARD COMPLETE Parts List : KDL-32D2600 only	128
MISCELLANEOUS :	131
ACCESSORIES AND CONNECTORS :	131
REMOTE COMMANDER :	131

Note : Items marked “**” are not stocked since they are seldom required for routine service. Some delay should be anticipated when ordering these items.
Parts indicated (XX) on the Schematic Diagram are not used in this model and therefore do not appear in the Parts List.

REF.NO.	PART.NO	DESCRIPTION	REMARK	REF.NO.	PART.NO	DESCRIPTION	REMARK
*A-1268-416-A U2 Board, Complete				< COIL >			
< CAPACITOR >				L250	1-457-223-11	INDUCTOR	0UH
C200	1-165-908-11	CERAMIC CHIP 1UF	10% 10V	L251	1-457-223-11	INDUCTOR	0UH
C201	1-165-908-11	CERAMIC CHIP 1UF	10% 10V	L252	1-457-223-11	INDUCTOR	0UH
C202	1-112-781-11	CERAMIC CHIP 1UF	10% 10V	L253	1-457-223-11	INDUCTOR	0UH
C204	1-100-905-11	CERAMIC CHIP 0.001UF	10% 50V	L254	1-457-223-11	INDUCTOR	0UH
C206	1-100-912-11	CERAMIC CHIP 1UF	10% 25V	L255	1-457-223-11	INDUCTOR	0UH
C207	1-100-905-11	CERAMIC CHIP 0.001UF	10% 50V	L256	1-457-223-11	INDUCTOR	0UH
C209	1-100-912-11	CERAMIC CHIP 1UF	10% 25V	L257	1-457-223-11	INDUCTOR	0UH
C211	1-100-905-11	CERAMIC CHIP 0.001UF	10% 50V	< TRANSISTOR >			
C213	1-100-905-11	CERAMIC CHIP 0.001UF	10% 50V	Q251	8-729-028-28	TRANSISTOR 2SK2036(TE85L)	
C215	1-100-905-11	CERAMIC CHIP 0.001UF	10% 50V	Q255	8-729-038-37	TRANSISTOR RT1N141M-TP-1	
C216	1-100-905-11	CERAMIC CHIP 0.001UF	10% 50V	< RESISTOR >			
C250	1-100-916-11	CERAMIC CHIP 0.1UF	10% 16V	R200	1-218-831-11	METAL CHIP 220 0.5% 1/10W	
C251	1-112-777-11	CERAMIC CHIP 0.01UF	10% 25V	R201	1-218-831-11	METAL CHIP 220 0.5% 1/10W	
C252	1-112-777-11	CERAMIC CHIP 0.01UF	10% 25V	R202	1-218-831-11	METAL CHIP 220 0.5% 1/10W	
C253	1-112-777-11	CERAMIC CHIP 0.01UF	10% 25V	R203	1-218-941-81	RES-CHIP 100 5% 1/16W	
C254	1-100-905-11	CERAMIC CHIP 0.001UF	10% 50V	R204	1-218-285-11	METAL CHIP 75 5% 1/10W	
C258	1-100-905-11	CERAMIC CHIP 0.001UF	10% 50V	R205	1-218-941-81	RES-CHIP 100 5% 1/16W	
C261	1-100-905-11	CERAMIC CHIP 0.001UF	10% 50V	R206	1-218-953-11	RES-CHIP 1K 5% 1/16W	
C262	1-112-777-11	CERAMIC CHIP 0.01UF	10% 25V	R207	1-218-953-11	RES-CHIP 1K 5% 1/16W	
C263	1-124-779-00	ELECT CHIP 10UF	20.00% 16V	R212	1-218-989-11	RES-CHIP 1M 5% 1/16W	
C265	1-100-905-11	CERAMIC CHIP 0.001UF	10% 50V	R213	1-218-957-11	RES-CHIP 2.2K 5% 1/16W	
C266	1-100-916-11	CERAMIC CHIP 0.1UF	10% 16V	R215	1-218-989-11	RES-CHIP 1M 5% 1/16W	
C267	1-100-916-11	CERAMIC CHIP 0.1UF	10% 16V	R216	1-218-957-11	RES-CHIP 2.2K 5% 1/16W	
< CONNECTOR >				R218	1-218-990-81	SHORT CHIP 0	
CN201	*1-819-928-12	HEADER ASSEMBLY 20P		R219	1-218-990-81	SHORT CHIP 0	
CN250	*1-818-400-11	HDMI CONNECTOR		R220	1-218-990-81	SHORT CHIP 0	
CN251	*1-820-667-11	HEADER ASSEMBLY FOR PWB 21P		R221	1-218-990-81	SHORT CHIP 0	
< DIODE >				R222	1-218-990-81	SHORT CHIP 0	
D201	8-719-423-03	DIODE MA8100-TX		R256	1-218-929-11	RES-CHIP 10 5% 1/16W	
D202	8-719-423-03	DIODE MA8100-TX		R257	1-218-973-11	RES-CHIP 47K 5% 1/16W	
D203	8-719-423-03	DIODE MA8100-TX		R258	1-218-941-81	RES-CHIP 100 5% 1/16W	
D254	8-719-404-50	DIODE MA111-TX		R259	1-218-941-81	RES-CHIP 100 5% 1/16W	
D261	8-719-404-50	DIODE MA111-TX		R260	1-218-961-11	RES-CHIP 4.7K 5% 1/16W	
ET201	1-780-482-11	EARTH TERMINAL		R261	1-218-973-11	RES-CHIP 47K 5% 1/16W	
ET202	1-780-482-11	EARTH TERMINAL		R262	1-218-973-11	RES-CHIP 47K 5% 1/16W	
ET203	1-780-482-11	EARTH TERMINAL		R263	1-208-911-11	METAL CHIP 10K 0.5% 1/16W	
< IC >				R264	1-218-929-11	RES-CHIP 10 5% 1/16W	
IC250	6-704-001-01	IC BR24L02F-WE2		R265	1-218-929-11	RES-CHIP 10 5% 1/16W	
IC251	6-708-758-01	IC PCA9517DP.118		R266	1-218-929-11	RES-CHIP 10 5% 1/16W	
IC252	8-753-255-97	IC CXB1441R-T4		R267	1-218-929-11	RES-CHIP 10 5% 1/16W	
< SOCKET >				R269	1-218-929-11	RES-CHIP 10 5% 1/16W	
J201	1-780-489-11	S TERMINAL BLOCK (RIGHT ANGLE)		R270	1-218-929-11	RES-CHIP 10 5% 1/16W	
J202	1-815-325-11	JACK		R271	1-218-929-11	RES-CHIP 10 5% 1/16W	
				R272	1-218-929-11	RES-CHIP 10 5% 1/16W	
				R273	1-218-941-81	RES-CHIP 100 5% 1/16W	

Note : The components identified by mark  contain confidential information. Strictly follow the instructions when ever the components are repaired and/or replaced.



REF.NO.	PART.NO	DESCRIPTION	REMARK	REF.NO.	PART.NO	DESCRIPTION	REMARK
R277	1-218-961-11	RES-CHIP	4.7K 5% 1/16W	C1018	1-164-947-11	CERAMIC CHIP 0.01UF	50V
R278	1-218-961-11	RES-CHIP	4.7K 5% 1/16W	C1019	1-117-681-11	ELECT CHIP 100UF	20.00% 16V
R281	1-218-961-11	RES-CHIP	4.7K 5% 1/16W	C1020	1-165-667-21	ELECT CHIP 100UF	20% 6.3V
R283	1-208-903-11	METAL CHIP	4.7K 0.5% 1/16W	C1021	1-165-667-21	ELECT CHIP 100UF	20% 6.3V
R284	1-218-990-81	SHORT CHIP	0	C1022	1-164-936-11	CERAMIC CHIP 680PF	10.00% 50V
R285	1-218-937-11	RES-CHIP	47 5% 1/16W	C1023	1-164-936-11	CERAMIC CHIP 680PF	10.00% 50V
R286	1-218-937-11	RES-CHIP	47 5% 1/16W	C1024	1-100-907-11	CERAMIC CHIP 0.1UF	10% 10V
R287	1-218-937-11	RES-CHIP	47 5% 1/16W	C1026	1-100-907-11	CERAMIC CHIP 0.1UF	10% 10V
R289	1-216-864-11	SHORT CHIP	0	C1027	1-100-611-91	CERAMIC CHIP 22UF	20% 6.3V
R290	1-216-864-11	SHORT CHIP	0	C1028	1-100-611-91	CERAMIC CHIP 22UF	20% 6.3V
R291	1-218-990-81	SHORT CHIP	0	C1029	1-162-961-11	CERAMIC CHIP 330PF	10.00% 50V
R293	1-218-990-81	SHORT CHIP	0	C1030	1-164-936-11	CERAMIC CHIP 680PF	10.00% 50V
R298	1-208-887-11	METAL CHIP	1K 0.5% 1/16W	C1031	1-100-907-11	CERAMIC CHIP 0.1UF	10% 10V
R303	1-218-990-81	SHORT CHIP	0	C1032	1-100-907-11	CERAMIC CHIP 0.1UF	10% 10V
< VARISTOR >				C1033	1-124-778-00	ELECT CHIP 22UF	20.00% 6.3V
VD201	1-802-078-11	VARISTOR (SMD)		C1034	1-162-995-11	CERAMIC CHIP 0.022UF	50V
VD202	1-802-078-11	VARISTOR (SMD)		C1035	1-162-995-11	CERAMIC CHIP 0.022UF	50V
VD203	1-802-078-11	VARISTOR (SMD)		C1036	1-128-996-11	ELECT CHIP 4.7UF	20% 50V
VD204	1-802-078-11	VARISTOR (SMD)		C1037	1-115-339-11	CERAMIC CHIP 0.1UF	10.00% 50V
VD205	1-802-078-11	VARISTOR (SMD)		C1039	1-162-964-11	CERAMIC CHIP 0.001UF	10.00% 50V
VDR250	1-805-774-21	VARISTOR, CHIP		C1042	1-100-911-11	CERAMIC CHIP 4.7UF	10% 25V
VDR251	1-802-245-11	ESD SUPPRESSOR		C1043	1-100-911-11	CERAMIC CHIP 4.7UF	10% 25V
VDR252	1-802-245-11	ESD SUPPRESSOR		C1044	1-100-053-21	ELECT CHIP 220UF	20% 6.3V
VDR253	1-802-245-11	ESD SUPPRESSOR		C1045	1-100-053-21	ELECT CHIP 220UF	20% 6.3V
VDR254	1-802-245-11	ESD SUPPRESSOR		C2004	1-164-227-11	CERAMIC CHIP 0.022UF	10.00% 25V
VDR255	1-802-245-11	ESD SUPPRESSOR		C2005	1-162-964-11	CERAMIC CHIP 0.001UF	10.00% 50V
VDR256	1-802-245-11	ESD SUPPRESSOR		C2006	1-164-227-11	CERAMIC CHIP 0.022UF	10.00% 25V
VDR257	1-802-245-11	ESD SUPPRESSOR		C2007	1-162-964-11	CERAMIC CHIP 0.001UF	10.00% 50V
VDR258	1-802-245-11	ESD SUPPRESSOR		C2014	1-165-908-11	CERAMIC CHIP 1UF	10% 10V
VDR260	1-802-245-11	ESD SUPPRESSOR		C2015	1-165-908-11	CERAMIC CHIP 1UF	10% 10V
VDR261	1-802-245-11	ESD SUPPRESSOR		C2016	1-126-396-11	ELECT CHIP 47UF	20.00% 16V
< CAPACITOR >				C2017	1-126-396-11	ELECT CHIP 47UF	20.00% 16V
C1000	1-126-204-11	ELECT CHIP 47UF	20.00% 16V	C2020	1-117-370-11	CERAMIC CHIP 10UF	10V
C1001	1-100-907-11	CERAMIC CHIP 0.1UF	10% 10V	C2021	1-107-826-11	CERAMIC CHIP 0.1UF	10.00% 16V
C1002	1-100-907-11	CERAMIC CHIP 0.1UF	10% 10V	C2022	1-165-908-11	CERAMIC CHIP 1UF	10% 10V
C1003	1-115-566-11	CERAMIC CHIP 4.7UF	10.00% 10V	C2023	1-165-908-11	CERAMIC CHIP 1UF	10% 10V
C1004	1-164-852-11	CERAMIC CHIP 12PF	5.00% 50V	C2024	1-162-964-11	CERAMIC CHIP 0.001UF	10.00% 50V
C1005	1-164-852-11	CERAMIC CHIP 12PF	5.00% 50V	C2025	1-162-964-11	CERAMIC CHIP 0.001UF	10.00% 50V
C1006	1-100-907-11	CERAMIC CHIP 0.1UF	10% 10V	C2026	1-162-964-11	CERAMIC CHIP 0.001UF	10.00% 50V
C1007	1-164-852-11	CERAMIC CHIP 12PF	5.00% 50V	C2027	1-162-964-11	CERAMIC CHIP 0.001UF	10.00% 50V
C1008	1-164-852-11	CERAMIC CHIP 12PF	5.00% 50V	C2028	1-165-908-11	CERAMIC CHIP 1UF	10% 10V
C1010	1-164-852-11	CERAMIC CHIP 12PF	5.00% 50V	C2029	1-165-908-11	CERAMIC CHIP 1UF	10% 10V
C1013	1-117-681-11	ELECT CHIP 100UF	20.00% 16V	C2034	1-165-908-11	CERAMIC CHIP 1UF	10% 10V
C1015	1-164-936-11	CERAMIC CHIP 680PF	10.00% 50V	C2035	1-165-908-11	CERAMIC CHIP 1UF	10% 10V
C1016	1-100-907-11	CERAMIC CHIP 0.1UF	10% 10V	C2036	1-164-227-11	CERAMIC CHIP 0.022UF	10.00% 25V
C1017	1-115-339-11	CERAMIC CHIP 0.1UF	10.00% 50V	C2037	1-162-964-11	CERAMIC CHIP 0.001UF	10.00% 50V
				C2038	1-164-227-11	CERAMIC CHIP 0.022UF	10.00% 25V
				C2039	1-162-964-11	CERAMIC CHIP 0.001UF	10.00% 50V
				C2040	1-162-964-11	CERAMIC CHIP 0.001UF	10.00% 50V
				C2041	1-162-964-11	CERAMIC CHIP 0.001UF	10.00% 50V

 *A-1268-469-A BC Board, Complete



REF.NO.	PART.NO	DESCRIPTION	REMARK	REF.NO.	PART.NO	DESCRIPTION	REMARK
C2042	1-165-908-11	CERAMIC CHIP 1UF	10% 10V	C3050	1-100-597-91	CERAMIC CHIP 0.1UF	10% 25V
C2043	1-165-908-11	CERAMIC CHIP 1UF	10% 10V	C3051	1-100-597-91	CERAMIC CHIP 0.1UF	10% 25V
C2044	1-126-396-11	ELECT CHIP 47UF	20.00% 16V	C3052	1-100-905-11	CERAMIC CHIP 0.001UF	10% 50V
C2045	1-126-396-11	ELECT CHIP 47UF	20.00% 16V	C3053	1-165-908-11	CERAMIC CHIP 1UF	10% 10V
C2050	1-107-826-11	CERAMIC CHIP 0.1UF	10.00% 16V	C3054	1-165-908-11	CERAMIC CHIP 1UF	10% 10V
C2051	1-117-370-11	CERAMIC CHIP 10UF	10V	C3057	1-117-681-11	ELECT CHIP 100UF	20.00% 16V
C3002	1-100-912-11	CERAMIC CHIP 1UF	10% 25V	C3058	1-164-156-11	CERAMIC CHIP 0.1UF	25V
C3003	1-100-912-11	CERAMIC CHIP 1UF	10% 25V	C3059	1-117-681-11	ELECT CHIP 100UF	20.00% 16V
C3004	1-100-912-11	CERAMIC CHIP 1UF	10% 25V	C3060	1-117-681-11	ELECT CHIP 100UF	20.00% 16V
C3005	1-100-912-11	CERAMIC CHIP 1UF	10% 25V	C3061	1-124-779-00	ELECT CHIP 10UF	20.00% 16V
C3006	1-100-597-91	CERAMIC CHIP 0.1UF	10% 25V	C3062	1-100-597-91	CERAMIC CHIP 0.1UF	10% 25V
C3007	1-100-764-21	ELECT CHIP 4.7UF	20% 25V	C3063	1-126-396-11	ELECT CHIP 47UF	20.00% 16V
C3008	1-112-777-11	CERAMIC CHIP 0.01UF	10% 25V	C3064	1-100-912-11	CERAMIC CHIP 1UF	10% 25V
C3009	1-100-764-21	ELECT CHIP 4.7UF	20% 25V	C3065	1-100-912-11	CERAMIC CHIP 1UF	10% 25V
C3010	1-115-340-11	CERAMIC CHIP 0.22UF	10.00% 25V	C3066	1-100-912-11	CERAMIC CHIP 1UF	10% 25V
C3011	1-115-340-11	CERAMIC CHIP 0.22UF	10.00% 25V	C3068	1-126-396-11	ELECT CHIP 47UF	20.00% 16V
C3012	1-100-905-11	CERAMIC CHIP 0.001UF	10% 50V	C4002	1-125-891-11	CERAMIC CHIP 0.47UF	10.00% 10V
C3013	1-126-396-11	ELECT CHIP 47UF	20.00% 16V	C4003	1-125-891-11	CERAMIC CHIP 0.47UF	10.00% 10V
C3014	1-100-905-11	CERAMIC CHIP 0.001UF	10% 50V	C4004	1-125-891-11	CERAMIC CHIP 0.47UF	10.00% 10V
C3015	1-115-340-11	CERAMIC CHIP 0.22UF	10.00% 25V	C4005	1-125-891-11	CERAMIC CHIP 0.47UF	10.00% 10V
C3016	1-115-340-11	CERAMIC CHIP 0.22UF	10.00% 25V	C4006	1-127-573-11	CERAMIC CHIP 1UF	10% 16V
C3017	1-100-905-11	CERAMIC CHIP 0.001UF	10% 50V	C4007	1-163-037-11	CERAMIC CHIP 0.022UF	10.00% 50V
C3018	1-125-889-91	CERAMIC CHIP 2.2UF	10% 10V	C4008	1-126-205-11	ELECT CHIP 47UF	20.00% 6.3V
C3019	1-125-889-91	CERAMIC CHIP 2.2UF	10% 10V	C4009	1-164-156-11	CERAMIC CHIP 0.1UF	25V
C3020	1-112-797-11	ELECT CHIP 470UF	20% 25V	C4011	1-164-156-11	CERAMIC CHIP 0.1UF	25V
C3021	1-112-800-11	ELECT CHIP 100UF	20% 35V	C4014	1-164-156-11	CERAMIC CHIP 0.1UF	25V
C3022	1-100-597-91	CERAMIC CHIP 0.1UF	10% 25V	C4016	1-126-205-11	ELECT CHIP 47UF	20.00% 6.3V
C3023	1-100-912-11	CERAMIC CHIP 1UF	10% 25V	C4020	1-107-826-11	CERAMIC CHIP 0.1UF	10.00% 16V
C3024	1-100-912-11	CERAMIC CHIP 1UF	10% 25V	C4021	1-107-826-11	CERAMIC CHIP 0.1UF	10.00% 16V
C3025	1-112-800-11	ELECT CHIP 100UF	20% 35V	C4022	1-107-826-11	CERAMIC CHIP 0.1UF	10.00% 16V
C3026	1-100-597-91	CERAMIC CHIP 0.1UF	10% 25V	C4023	1-107-826-11	CERAMIC CHIP 0.1UF	10.00% 16V
C3027	1-125-889-91	CERAMIC CHIP 2.2UF	10% 10V	C4024	1-107-826-11	CERAMIC CHIP 0.1UF	10.00% 16V
C3028	1-125-889-91	CERAMIC CHIP 2.2UF	10% 10V	C4025	1-107-826-11	CERAMIC CHIP 0.1UF	10.00% 16V
C3029	1-100-905-11	CERAMIC CHIP 0.001UF	10% 50V	C4026	1-107-826-11	CERAMIC CHIP 0.1UF	10.00% 16V
C3030	1-100-597-91	CERAMIC CHIP 0.1UF	10% 25V	C4027	1-107-826-11	CERAMIC CHIP 0.1UF	10.00% 16V
C3031	1-100-905-11	CERAMIC CHIP 0.001UF	10% 50V	C4028	1-107-826-11	CERAMIC CHIP 0.1UF	10.00% 16V
C3032	1-164-874-11	CERAMIC CHIP 100PF	5.00% 50V	C4029	1-107-826-11	CERAMIC CHIP 0.1UF	10.00% 16V
C3033	1-125-889-91	CERAMIC CHIP 2.2UF	10% 10V	C4030	1-107-826-11	CERAMIC CHIP 0.1UF	10.00% 16V
C3034	1-164-874-11	CERAMIC CHIP 100PF	5.00% 50V	C4031	1-107-826-11	CERAMIC CHIP 0.1UF	10.00% 16V
C3035	1-115-340-11	CERAMIC CHIP 0.22UF	10.00% 25V	C4032	1-107-826-11	CERAMIC CHIP 0.1UF	10.00% 16V
C3036	1-115-340-11	CERAMIC CHIP 0.22UF	10.00% 25V	C4033	1-107-826-11	CERAMIC CHIP 0.1UF	10.00% 16V
C3037	1-126-396-11	ELECT CHIP 47UF	20.00% 16V	C4034	1-107-826-11	CERAMIC CHIP 0.1UF	10.00% 16V
C3038	1-115-340-11	CERAMIC CHIP 0.22UF	10.00% 25V	C4035	1-107-826-11	CERAMIC CHIP 0.1UF	10.00% 16V
C3039	1-115-340-11	CERAMIC CHIP 0.22UF	10.00% 25V	C4036	1-107-826-11	CERAMIC CHIP 0.1UF	10.00% 16V
C3040	1-115-340-11	CERAMIC CHIP 0.22UF	10.00% 25V	C4037	1-107-826-11	CERAMIC CHIP 0.1UF	10.00% 16V
C3041	1-115-340-11	CERAMIC CHIP 0.22UF	10.00% 25V	C4038	1-107-826-11	CERAMIC CHIP 0.1UF	10.00% 16V
C3042	1-126-396-11	ELECT CHIP 47UF	20.00% 16V	C4039	1-107-826-11	CERAMIC CHIP 0.1UF	10.00% 16V
C3043	1-100-597-91	CERAMIC CHIP 0.1UF	10% 25V	C4040	1-107-826-11	CERAMIC CHIP 0.1UF	10.00% 16V
C3044	1-100-591-91	CERAMIC CHIP 1UF	10% 25V	C4041	1-107-826-11	CERAMIC CHIP 0.1UF	10.00% 16V
C3045	1-100-591-91	CERAMIC CHIP 1UF	10% 25V	C4042	1-100-566-91	CERAMIC CHIP 0.1UF	10.00% 25V



REF.NO.	PART.NO	DESCRIPTION	REMARK	REF.NO.	PART.NO	DESCRIPTION	REMARK
C4043	1-100-566-91	CERAMIC CHIP 0.1UF	10.00% 25V	C4211	1-162-970-11	CERAMIC CHIP 0.01UF	10.00% 25V
C4045	1-100-566-91	CERAMIC CHIP 0.1UF	10.00% 25V	C4212	1-162-970-11	CERAMIC CHIP 0.01UF	10.00% 25V
C4046	1-163-021-91	CERAMIC CHIP 0.01UF	10.00% 50V	C4213	1-162-970-11	CERAMIC CHIP 0.01UF	10.00% 25V
C4047	1-107-826-11	CERAMIC CHIP 0.1UF	10.00% 16V	C4214	1-162-970-11	CERAMIC CHIP 0.01UF	10.00% 25V
C4052	1-127-715-91	CERAMIC CHIP 0.22UF	10% 16V	C4215	1-162-970-11	CERAMIC CHIP 0.01UF	10.00% 25V
C4053	1-107-826-11	CERAMIC CHIP 0.1UF	10.00% 16V	C4216	1-162-970-11	CERAMIC CHIP 0.01UF	10.00% 25V
C4054	1-126-394-11	ELECT CHIP 10UF	20.00% 16V	C4217	1-162-970-11	CERAMIC CHIP 0.01UF	10.00% 25V
C4055	1-127-715-91	CERAMIC CHIP 0.22UF	10% 16V	C4218	1-162-970-11	CERAMIC CHIP 0.01UF	10.00% 25V
C4056	1-107-826-11	CERAMIC CHIP 0.1UF	10.00% 16V	C4219	1-162-970-11	CERAMIC CHIP 0.01UF	10.00% 25V
C4059	1-162-966-11	CERAMIC CHIP 0.0022UF	10.00% 50V	C4300	1-117-370-11	CERAMIC CHIP 10UF	10V
C4060	1-162-966-11	CERAMIC CHIP 0.0022UF	10.00% 50V	C4301	1-117-370-11	CERAMIC CHIP 10UF	10V
C4061	1-107-826-11	CERAMIC CHIP 0.1UF	10.00% 16V	C4302	1-117-370-11	CERAMIC CHIP 10UF	10V
C4062	1-162-966-11	CERAMIC CHIP 0.0022UF	10.00% 50V	C4303	1-117-370-11	CERAMIC CHIP 10UF	10V
C4063	1-162-966-11	CERAMIC CHIP 0.0022UF	10.00% 50V	C4304	1-126-396-11	ELECT CHIP 47UF	20.00% 16V
C4064	1-162-966-11	CERAMIC CHIP 0.0022UF	10.00% 50V	C4305	1-100-911-11	CERAMIC CHIP 4.7UF	10% 25V
C4065	1-162-966-11	CERAMIC CHIP 0.0022UF	10.00% 50V	C4306	1-117-370-11	CERAMIC CHIP 10UF	10V
C4066	1-164-004-11	CERAMIC CHIP 0.1UF	10.00% 25V	C4307	1-126-396-11	ELECT CHIP 47UF	20.00% 16V
C4067	1-124-779-00	ELECT CHIP 10UF	20.00% 16V	C4308	1-117-370-11	CERAMIC CHIP 10UF	10V
C4068	1-216-864-11	SHORT CHIP 0		C4310	1-126-396-11	ELECT CHIP 47UF	20.00% 16V
C4069	1-164-004-11	CERAMIC CHIP 0.1UF	10.00% 25V	C4311	1-126-396-11	ELECT CHIP 47UF	20.00% 16V
C4070	1-162-928-11	CERAMIC CHIP 120PF	5.00% 50V	C4312	1-126-396-11	ELECT CHIP 47UF	20.00% 16V
C4072	1-107-826-11	CERAMIC CHIP 0.1UF	10.00% 16V	C4313	1-126-396-11	ELECT CHIP 47UF	20.00% 16V
C4073	1-107-826-11	CERAMIC CHIP 0.1UF	10.00% 16V	C4314	1-100-911-11	CERAMIC CHIP 4.7UF	10% 25V
C4074	1-162-968-11	CERAMIC CHIP 0.0047UF	10.00% 50V	C4316	1-107-826-11	CERAMIC CHIP 0.1UF	10.00% 16V
C4076	1-107-826-11	CERAMIC CHIP 0.1UF	10.00% 16V	C5005	1-115-416-11	CERAMIC CHIP 0.001UF	5.00% 25V
C4077	1-107-826-11	CERAMIC CHIP 0.1UF	10.00% 16V	C5006	1-162-970-11	CERAMIC CHIP 0.01UF	10.00% 25V
C4079	1-164-004-11	CERAMIC CHIP 0.1UF	10.00% 25V	C5007	1-107-826-11	CERAMIC CHIP 0.1UF	10.00% 16V
C4080	1-107-826-11	CERAMIC CHIP 0.1UF	10.00% 16V	C5008	1-115-416-11	CERAMIC CHIP 0.001UF	5.00% 25V
C4081	1-107-826-11	CERAMIC CHIP 0.1UF	10.00% 16V	C5009	1-162-970-11	CERAMIC CHIP 0.01UF	10.00% 25V
C4082	1-164-388-91	CERAMIC CHIP 270PF	5.00% 50V	C5010	1-137-710-91	CERAMIC CHIP 10UF	20% 6.3V
C4083	1-107-826-11	CERAMIC CHIP 0.1UF	10.00% 16V	C5011	1-107-826-11	CERAMIC CHIP 0.1UF	10.00% 16V
C4084	1-107-826-11	CERAMIC CHIP 0.1UF	10.00% 16V	C5012	1-137-710-91	CERAMIC CHIP 10UF	20% 6.3V
C4085	1-107-826-11	CERAMIC CHIP 0.1UF	10.00% 16V	C5013	1-107-826-11	CERAMIC CHIP 0.1UF	10.00% 16V
C4086	1-162-917-11	CERAMIC CHIP 15PF	5.00% 50V	C5014	1-107-826-11	CERAMIC CHIP 0.1UF	10.00% 16V
C4087	1-162-917-11	CERAMIC CHIP 15PF	5.00% 50V	C5015	1-107-826-11	CERAMIC CHIP 0.1UF	10.00% 16V
C4088	1-162-927-11	CERAMIC CHIP 100PF	5.00% 50V	C5018	1-137-710-91	CERAMIC CHIP 10UF	20% 6.3V
C4089	1-127-715-91	CERAMIC CHIP 0.22UF	10% 16V	C5019	1-107-826-11	CERAMIC CHIP 0.1UF	10.00% 16V
C4090	1-115-340-11	CERAMIC CHIP 0.22UF	10.00% 25V	C5020	1-107-826-11	CERAMIC CHIP 0.1UF	10.00% 16V
C4091	1-100-566-91	CERAMIC CHIP 0.1UF	10.00% 25V	C5021	1-107-826-11	CERAMIC CHIP 0.1UF	10.00% 16V
C4092	1-100-566-91	CERAMIC CHIP 0.1UF	10.00% 25V	C5022	1-107-826-11	CERAMIC CHIP 0.1UF	10.00% 16V
C4109	1-124-779-00	ELECT CHIP 10UF	20.00% 16V	C5023	1-107-826-11	CERAMIC CHIP 0.1UF	10.00% 16V
C4110	1-162-927-11	CERAMIC CHIP 100PF	5.00% 50V	C5024	1-107-826-11	CERAMIC CHIP 0.1UF	10.00% 16V
C4200	1-164-156-11	CERAMIC CHIP 0.1UF	25V	C5025	1-115-416-11	CERAMIC CHIP 0.001UF	5.00% 25V
C4202	1-164-156-11	CERAMIC CHIP 0.1UF	25V	C5026	1-107-826-11	CERAMIC CHIP 0.1UF	10.00% 16V
C4204	1-164-156-11	CERAMIC CHIP 0.1UF	25V	C5027	1-107-826-11	CERAMIC CHIP 0.1UF	10.00% 16V
C4205	1-107-826-11	CERAMIC CHIP 0.1UF	10.00% 16V	C5028	1-107-826-11	CERAMIC CHIP 0.1UF	10.00% 16V
C4206	1-164-156-11	CERAMIC CHIP 0.1UF	25V	C5029	1-107-826-11	CERAMIC CHIP 0.1UF	10.00% 16V
C4207	1-164-156-11	CERAMIC CHIP 0.1UF	25V	C5030	1-107-826-11	CERAMIC CHIP 0.1UF	10.00% 16V
C4208	1-164-156-11	CERAMIC CHIP 0.1UF	25V	C5031	1-107-826-11	CERAMIC CHIP 0.1UF	10.00% 16V
C4210	1-164-156-11	CERAMIC CHIP 0.1UF	25V	C5032	1-107-826-11	CERAMIC CHIP 0.1UF	10.00% 16V



REF.NO.	PART.NO	DESCRIPTION	REMARK	REF.NO.	PART.NO	DESCRIPTION	REMARK
C5033	1-107-826-11	CERAMIC CHIP 0.1UF	10.00% 16V	C5529	1-162-964-11	CERAMIC CHIP 0.001UF	10.00% 50V
C5034	1-107-826-11	CERAMIC CHIP 0.1UF	10.00% 16V	C5531	1-162-964-11	CERAMIC CHIP 0.001UF	10.00% 50V
C5035	1-107-826-11	CERAMIC CHIP 0.1UF	10.00% 16V	C5533	1-162-964-11	CERAMIC CHIP 0.001UF	10.00% 50V
C5036	1-115-416-11	CERAMIC CHIP 0.001UF	5.00% 25V	C5534	1-162-964-11	CERAMIC CHIP 0.001UF	10.00% 50V
C5037	1-107-826-11	CERAMIC CHIP 0.1UF	10.00% 16V	C5535	1-162-964-11	CERAMIC CHIP 0.001UF	10.00% 50V
C5038	1-137-710-91	CERAMIC CHIP 10UF	20% 6.3V	C5536	1-162-964-11	CERAMIC CHIP 0.001UF	10.00% 50V
C5039	1-107-826-11	CERAMIC CHIP 0.1UF	10.00% 16V	C5538	1-162-964-11	CERAMIC CHIP 0.001UF	10.00% 50V
C5040	1-107-826-11	CERAMIC CHIP 0.1UF	10.00% 16V	C5540	1-162-964-11	CERAMIC CHIP 0.001UF	10.00% 50V
C5041	1-107-826-11	CERAMIC CHIP 0.1UF	10.00% 16V	C5541	1-162-964-11	CERAMIC CHIP 0.001UF	10.00% 50V
C5042	1-107-826-11	CERAMIC CHIP 0.1UF	10.00% 16V	C5542	1-162-964-11	CERAMIC CHIP 0.001UF	10.00% 50V
C5043	1-107-826-11	CERAMIC CHIP 0.1UF	10.00% 16V	C5545	1-162-964-11	CERAMIC CHIP 0.001UF	10.00% 50V
C5044	1-107-826-11	CERAMIC CHIP 0.1UF	10.00% 16V	C5546	1-124-779-00	ELECT CHIP 10UF	20.00% 16V
C5045	1-126-206-11	ELECT CHIP 100UF	20.00% 6.3V	C5547	1-124-779-00	ELECT CHIP 10UF	20.00% 16V
C5046	1-126-206-11	ELECT CHIP 100UF	20.00% 6.3V	C5548	1-124-779-00	ELECT CHIP 10UF	20.00% 16V
C5052	1-126-396-11	ELECT CHIP 47UF	20.00% 16V	C5549	1-124-779-00	ELECT CHIP 10UF	20.00% 16V
C5053	1-162-964-11	CERAMIC CHIP 0.001UF	10.00% 50V	C5550	1-124-779-00	ELECT CHIP 10UF	20.00% 16V
C5054	1-162-962-11	CERAMIC CHIP 470PF	10.00% 50V	C5551	1-162-964-11	CERAMIC CHIP 0.001UF	10.00% 50V
C5055	1-162-970-11	CERAMIC CHIP 0.01UF	10.00% 25V	C5552	1-162-964-11	CERAMIC CHIP 0.001UF	10.00% 50V
C5056	1-107-826-11	CERAMIC CHIP 0.1UF	10.00% 16V	C5553	1-100-566-91	CERAMIC CHIP 0.1UF	10.00% 25V
C5057	1-107-826-11	CERAMIC CHIP 0.1UF	10.00% 16V	C5554	1-100-566-91	CERAMIC CHIP 0.1UF	10.00% 25V
C5058	1-107-826-11	CERAMIC CHIP 0.1UF	10.00% 16V	C5555	1-100-566-91	CERAMIC CHIP 0.1UF	10.00% 25V
C5059	1-107-826-11	CERAMIC CHIP 0.1UF	10.00% 16V	C5556	1-100-566-91	CERAMIC CHIP 0.1UF	10.00% 25V
C5500	1-107-826-11	CERAMIC CHIP 0.1UF	10.00% 16V	C5557	1-100-566-91	CERAMIC CHIP 0.1UF	10.00% 25V
C5501	1-107-826-11	CERAMIC CHIP 0.1UF	10.00% 16V	C5558	1-162-964-11	CERAMIC CHIP 0.001UF	10.00% 50V
C5502	1-162-964-11	CERAMIC CHIP 0.001UF	10.00% 50V	C5559	1-162-964-11	CERAMIC CHIP 0.001UF	10.00% 50V
C5503	1-107-826-11	CERAMIC CHIP 0.1UF	10.00% 16V	C5560	1-162-964-11	CERAMIC CHIP 0.001UF	10.00% 50V
C5504	1-100-567-81	CERAMIC CHIP 0.01UF	10% 25V	C5561	1-100-566-91	CERAMIC CHIP 0.1UF	10.00% 25V
C5505	1-100-567-81	CERAMIC CHIP 0.01UF	10% 25V	C5562	1-100-566-91	CERAMIC CHIP 0.1UF	10.00% 25V
C5506	1-100-567-81	CERAMIC CHIP 0.01UF	10% 25V	C5563	1-162-964-11	CERAMIC CHIP 0.001UF	10.00% 50V
C5507	1-100-567-81	CERAMIC CHIP 0.01UF	10% 25V	C5571	1-164-874-11	CERAMIC CHIP 100PF	5.00% 50V
C5508	1-107-826-11	CERAMIC CHIP 0.1UF	10.00% 16V	C6402	1-164-230-11	CERAMIC CHIP 220PF	5.00% 50V
C5509	1-100-567-81	CERAMIC CHIP 0.01UF	10% 25V	C6404	1-165-908-11	CERAMIC CHIP 1UF	10% 10V
C5510	1-100-567-81	CERAMIC CHIP 0.01UF	10% 25V	C6405	1-126-390-11	ELECT CHIP 22UF	20.00% 6.3V
C5511	1-107-826-11	CERAMIC CHIP 0.1UF	10.00% 16V	C6406	1-162-927-11	CERAMIC CHIP 100PF	5.00% 50V
C5512	1-100-567-81	CERAMIC CHIP 0.01UF	10% 25V	C6408	1-162-970-11	CERAMIC CHIP 0.01UF	10.00% 25V
C5513	1-100-567-81	CERAMIC CHIP 0.01UF	10% 25V	C6409	1-127-760-11	CERAMIC CHIP 4.7UF	10% 6.3V
C5514	1-162-964-11	CERAMIC CHIP 0.001UF	10.00% 50V	C6410	1-162-970-11	CERAMIC CHIP 0.01UF	10.00% 25V
C5515	1-100-567-81	CERAMIC CHIP 0.01UF	10% 25V	C6411	1-162-970-11	CERAMIC CHIP 0.01UF	10.00% 25V
C5516	1-100-567-81	CERAMIC CHIP 0.01UF	10% 25V	C6500	1-162-974-11	CERAMIC CHIP 0.01UF	50V
C5517	1-107-826-11	CERAMIC CHIP 0.1UF	10.00% 16V	C6501	1-162-970-11	CERAMIC CHIP 0.01UF	10.00% 25V
C5518	1-100-567-81	CERAMIC CHIP 0.01UF	10% 25V	C6502	1-162-970-11	CERAMIC CHIP 0.01UF	10.00% 25V
C5519	1-100-703-91	CERAMIC CHIP 10UF	10% 25V	C6503	1-162-970-11	CERAMIC CHIP 0.01UF	10.00% 25V
C5520	1-100-567-81	CERAMIC CHIP 0.01UF	10% 25V	C6507	1-100-907-11	CERAMIC CHIP 0.1UF	10% 10V
C5521	1-100-567-81	CERAMIC CHIP 0.01UF	10% 25V	C6508	1-107-823-11	CERAMIC CHIP 0.47UF	10.00% 16V
C5523	1-162-964-11	CERAMIC CHIP 0.001UF	10.00% 50V	C6509	1-137-894-21	ELECT CHIP 470UF	20% 25V
C5524	1-162-964-11	CERAMIC CHIP 0.001UF	10.00% 50V	C6510	1-100-907-11	CERAMIC CHIP 0.1UF	10% 10V
C5525	1-162-964-11	CERAMIC CHIP 0.001UF	10.00% 50V	C6511	1-112-797-11	ELECT CHIP 470UF	20% 25V
C5526	1-162-964-11	CERAMIC CHIP 0.001UF	10.00% 50V	C6512	1-137-894-21	ELECT CHIP 470UF	20% 25V
C5527	1-162-964-11	CERAMIC CHIP 0.001UF	10.00% 50V	C6514	1-162-970-11	CERAMIC CHIP 0.01UF	10.00% 25V
C5528	1-162-964-11	CERAMIC CHIP 0.001UF	10.00% 50V	C6515	1-162-974-11	CERAMIC CHIP 0.01UF	50V



REF.NO.	PART.NO	DESCRIPTION	REMARK	REF.NO.	PART.NO	DESCRIPTION	REMARK
C6516	1-162-970-11	CERAMIC CHIP 0.01UF	10.00% 25V	C6625	1-112-777-11	CERAMIC CHIP 0.01UF	10% 25V
C6520	1-100-566-91	CERAMIC CHIP 0.1UF	10.00% 25V	C6626	1-164-937-11	CERAMIC CHIP 0.001UF	10.00% 50V
C6521	1-100-911-11	CERAMIC CHIP 4.7UF	10% 25V	C6627	1-164-937-11	CERAMIC CHIP 0.001UF	10.00% 50V
C6522	1-100-911-11	CERAMIC CHIP 4.7UF	10% 25V	C7100	1-100-911-11	CERAMIC CHIP 4.7UF	10% 25V
C6523	1-126-396-11	ELECT CHIP 47UF	20.00% 16V	C7101	1-117-720-11	CERAMIC CHIP 4.7UF	10V
C6525	1-162-974-11	CERAMIC CHIP 0.01UF	50V	C7102	1-100-907-11	CERAMIC CHIP 0.1UF	10% 10V
C6526	1-100-566-91	CERAMIC CHIP 0.1UF	10.00% 25V	C7103	1-100-907-11	CERAMIC CHIP 0.1UF	10% 10V
C6528	1-100-566-91	CERAMIC CHIP 0.1UF	10.00% 25V	C7104	1-100-907-11	CERAMIC CHIP 0.1UF	10% 10V
C6529	1-100-911-11	CERAMIC CHIP 4.7UF	10% 25V	C7105	1-100-907-11	CERAMIC CHIP 0.1UF	10% 10V
C6530	1-100-566-91	CERAMIC CHIP 0.1UF	10.00% 25V	C7106	1-100-907-11	CERAMIC CHIP 0.1UF	10% 10V
C6531	1-165-671-21	ELECT CHIP 470UF	20% 6.3V	C7107	1-100-907-11	CERAMIC CHIP 0.1UF	10% 10V
C6532	1-127-715-91	CERAMIC CHIP 0.22UF	10% 16V	C7108	1-100-907-11	CERAMIC CHIP 0.1UF	10% 10V
C6534	1-127-715-91	CERAMIC CHIP 0.22UF	10% 16V	C7109	1-100-907-11	CERAMIC CHIP 0.1UF	10% 10V
C6537	1-165-671-21	ELECT CHIP 470UF	20% 6.3V	C7110	1-100-907-11	CERAMIC CHIP 0.1UF	10% 10V
C6538	1-100-566-91	CERAMIC CHIP 0.1UF	10.00% 25V	C7111	1-100-907-11	CERAMIC CHIP 0.1UF	10% 10V
C6540	1-165-671-21	ELECT CHIP 470UF	20% 6.3V	C7112	1-100-907-11	CERAMIC CHIP 0.1UF	10% 10V
C6544	1-100-566-91	CERAMIC CHIP 0.1UF	10.00% 25V	C7113	1-100-907-11	CERAMIC CHIP 0.1UF	10% 10V
C6545	1-100-566-91	CERAMIC CHIP 0.1UF	10.00% 25V	C7114	1-100-907-11	CERAMIC CHIP 0.1UF	10% 10V
C6546	1-100-566-91	CERAMIC CHIP 0.1UF	10.00% 25V	C7116	1-124-779-00	ELECT CHIP 10UF	20.00% 16V
C6552	1-107-826-11	CERAMIC CHIP 0.1UF	10.00% 16V	C7120	1-100-907-11	CERAMIC CHIP 0.1UF	10% 10V
C6555	1-107-826-11	CERAMIC CHIP 0.1UF	10.00% 16V	C7121	1-100-907-11	CERAMIC CHIP 0.1UF	10% 10V
C6556	1-164-004-11	CERAMIC CHIP 0.1UF	10.00% 25V	C7122	1-100-907-11	CERAMIC CHIP 0.1UF	10% 10V
C6557	1-162-964-11	CERAMIC CHIP 0.001UF	10.00% 50V	C7123	1-100-907-11	CERAMIC CHIP 0.1UF	10% 10V
C6558	1-112-066-11	CERAMIC CHIP 10UF	10% 10V	C7124	1-100-907-11	CERAMIC CHIP 0.1UF	10% 10V
C6561	1-127-573-11	CERAMIC CHIP 1UF	10% 16V	C7125	1-100-907-11	CERAMIC CHIP 0.1UF	10% 10V
C6563	1-127-573-11	CERAMIC CHIP 1UF	10% 16V	C7126	1-100-907-11	CERAMIC CHIP 0.1UF	10% 10V
C6573	1-100-566-91	CERAMIC CHIP 0.1UF	10.00% 25V	C7130	1-164-850-11	CERAMIC CHIP 10PF	0.50PF 50V
C6574	1-117-681-11	ELECT CHIP 100UF	20.00% 16V	C7133	1-100-911-11	CERAMIC CHIP 4.7UF	10% 25V
C6590	1-162-974-11	CERAMIC CHIP 0.01UF	50V	C7134	1-100-907-11	CERAMIC CHIP 0.1UF	10% 10V
C6599	1-100-907-11	CERAMIC CHIP 0.1UF	10% 10V	C7135	1-100-907-11	CERAMIC CHIP 0.1UF	10% 10V
C6600	1-117-720-11	CERAMIC CHIP 4.7UF	10V	C7136	1-100-911-11	CERAMIC CHIP 4.7UF	10% 25V
C6601	1-107-823-11	CERAMIC CHIP 0.47UF	10.00% 16V	C7137	1-100-907-11	CERAMIC CHIP 0.1UF	10% 10V
C6603	1-100-907-11	CERAMIC CHIP 0.1UF	10% 10V	C7138	1-100-907-11	CERAMIC CHIP 0.1UF	10% 10V
C6604	1-100-907-11	CERAMIC CHIP 0.1UF	10% 10V	C7139	1-100-907-11	CERAMIC CHIP 0.1UF	10% 10V
C6605	1-112-066-11	CERAMIC CHIP 10UF	10% 10V	C7140	1-124-779-00	ELECT CHIP 10UF	20.00% 16V
C6606	1-117-681-11	ELECT CHIP 100UF	20.00% 16V	C7141	1-100-907-11	CERAMIC CHIP 0.1UF	10% 10V
C6609	1-107-823-11	CERAMIC CHIP 0.47UF	10.00% 16V	C7142	1-100-907-11	CERAMIC CHIP 0.1UF	10% 10V
C6610	1-100-907-11	CERAMIC CHIP 0.1UF	10% 10V	C7143	1-100-907-11	CERAMIC CHIP 0.1UF	10% 10V
C6612	1-100-907-11	CERAMIC CHIP 0.1UF	10% 10V	C7200	1-100-907-11	CERAMIC CHIP 0.1UF	10% 10V
C6613	1-117-681-11	ELECT CHIP 100UF	20.00% 16V	C7201	1-165-908-11	CERAMIC CHIP 1UF	10% 10V
C6615	1-162-927-11	CERAMIC CHIP 100PF	5.00% 50V	C7202	1-100-907-11	CERAMIC CHIP 0.1UF	10% 10V
C6616	1-164-874-11	CERAMIC CHIP 100PF	5.00% 50V	C7203	1-100-907-11	CERAMIC CHIP 0.1UF	10% 10V
C6617	1-164-874-11	CERAMIC CHIP 100PF	5.00% 50V	C7204	1-100-907-11	CERAMIC CHIP 0.1UF	10% 10V
C6618	1-164-874-11	CERAMIC CHIP 100PF	5.00% 50V	C7205	1-164-937-11	CERAMIC CHIP 0.001UF	10.00% 50V
C6619	1-164-390-91	CERAMIC CHIP 330PF	5.00% 50V	C7206	1-164-840-11	CERAMIC CHIP 1PF	0.25PF 50V
C6620	1-164-937-11	CERAMIC CHIP 0.001UF	10.00% 50V	C7207	1-164-840-11	CERAMIC CHIP 1PF	0.25PF 50V
C6621	1-164-937-11	CERAMIC CHIP 0.001UF	10.00% 50V	C7208	1-100-907-11	CERAMIC CHIP 0.1UF	10% 10V
C6622	1-164-937-11	CERAMIC CHIP 0.001UF	10.00% 50V	C7209	1-117-720-11	CERAMIC CHIP 4.7UF	10V
C6623	1-112-777-11	CERAMIC CHIP 0.01UF	10% 25V	C7210	1-100-907-11	CERAMIC CHIP 0.1UF	10% 10V
C6624	1-112-777-11	CERAMIC CHIP 0.01UF	10% 25V	C7211	1-117-720-11	CERAMIC CHIP 4.7UF	10V



REF.NO.	PART.NO	DESCRIPTION	REMARK	REF.NO.	PART.NO	DESCRIPTION	REMARK
C7212	1-100-907-11	CERAMIC CHIP 0.1UF	10% 10V	C7423	1-100-597-91	CERAMIC CHIP 0.1UF	10% 25V
C7213	1-100-907-11	CERAMIC CHIP 0.1UF	10% 10V	C7424	1-126-394-11	ELECT CHIP 10UF	20.00% 16V
C7214	1-100-907-11	CERAMIC CHIP 0.1UF	10% 10V	C7425	1-165-908-11	CERAMIC CHIP 1UF	10% 10V
C7215	1-100-907-11	CERAMIC CHIP 0.1UF	10% 10V	C7426	1-165-908-11	CERAMIC CHIP 1UF	10% 10V
C7216	1-100-907-11	CERAMIC CHIP 0.1UF	10% 10V	C7427	1-100-597-91	CERAMIC CHIP 0.1UF	10% 25V
C7217	1-100-907-11	CERAMIC CHIP 0.1UF	10% 10V	C7428	1-126-394-11	ELECT CHIP 10UF	20.00% 16V
C7218	1-100-907-11	CERAMIC CHIP 0.1UF	10% 10V			< CONNECTOR >	
C7219	1-117-720-11	CERAMIC CHIP 4.7UF	10V				
C7220	1-117-681-11	ELECT CHIP 100UF	20.00% 16V	CN1001	*1-779-884-11	CONNECTOR 4P	
C7221	1-125-777-11	CERAMIC CHIP 0.1UF	10.00% 10V	CN2000	*1-417-602-11	SOCKET 21PIN	
C7222	1-125-777-11	CERAMIC CHIP 0.1UF	10.00% 10V	CN2001	*1-417-602-11	SOCKET 21PIN	
C7224	1-164-943-81	CERAMIC CHIP 0.01UF	10.00% 16V	CN3000	*1-819-461-11	HEADER ASSEMBLY FOR PWB 4P	
C7226	1-164-840-11	CERAMIC CHIP 1PF	0.25PF 50V	CN3001	*1-819-473-11	HEADER ASSEMBLY FOR PWB 4P	
C7227	1-164-840-11	CERAMIC CHIP 1PF	0.25PF 50V				
C7229	1-125-777-11	CERAMIC CHIP 0.1UF	10.00% 10V	CN4000	*1-819-444-11	HEADER ASSEMBLY FOR PWB 11P	
C7230	1-126-205-11	ELECT CHIP 47UF	20.00% 6.3V	CN4004	*1-784-254-11	CONNECTOR 10P	
C7231	1-104-905-11	DOUBLE LAYER 0.22F	5.5V	CN4005	*1-779-936-51	CONNECTOR, FFC/FPC 18P	
C7232	1-164-860-11	CERAMIC CHIP 27PF	5.00% 50V	CN4200	*1-817-804-11	CONNECTOR, D SUB 15P	
C7233	1-164-870-11	CERAMIC CHIP 68PF	5.00% 50V	CN5000	*1-818-656-21	HEADER ASSEMBLY 30P	
C7234	1-164-874-11	CERAMIC CHIP 100PF	5.00% 50V				
C7235	1-164-874-11	CERAMIC CHIP 100PF	5.00% 50V	CN5001	*1-779-331-51	CONNECTOR, FFC/FPC 14P	
C7236	1-164-874-11	CERAMIC CHIP 100PF	5.00% 50V	CN5500	*1-820-667-11	HEADER ASSEMBLY FOR PWB 21P	
C7237	1-164-874-11	CERAMIC CHIP 100PF	5.00% 50V	CN5501	*1-821-188-11	HDMI CONNECTOR	
C7238	1-164-874-11	CERAMIC CHIP 100PF	5.00% 50V	CN5502	*1-821-188-11	HDMI CONNECTOR	
C7300	1-100-907-11	CERAMIC CHIP 0.1UF	10% 10V	CN6400	*1-820-180-11	HEADER ASSEMBLY (PRINT PWB) 3P	
C7301	1-100-907-11	CERAMIC CHIP 0.1UF	10% 10V	CN6401	*1-820-189-11	HEADER ASSEMBLY (PRINT PWB) 12P	
C7304	1-100-907-11	CERAMIC CHIP 0.1UF	10% 10V	CN6402	*1-819-333-11	HEADER ASSEMBLY FOR PWB 5P	
C7305	1-164-937-11	CERAMIC CHIP 0.001UF	10.00% 50V	CN6500	*1-819-442-11	HEADER ASSEMBLY FOR PWB 14P	
C7306	1-100-907-11	CERAMIC CHIP 0.1UF	10% 10V	CN6501	*1-819-473-11	HEADER ASSEMBLY FOR PWB 4P	
C7307	1-164-937-11	CERAMIC CHIP 0.001UF	10.00% 50V	CN7300	*1-793-769-21	CONNECTOR, CARD (PCMCIA CARD)	
C7308	1-100-907-11	CERAMIC CHIP 0.1UF	10% 10V	CN7500	*1-818-714-21	HEADER ASSEMBLY 20P	
C7309	1-100-907-11	CERAMIC CHIP 0.1UF	10% 10V	CN7501	*1-820-209-11	MEMORY STICK CONNECTOR	
C7310	1-100-907-11	CERAMIC CHIP 0.1UF	10% 10V			< DIODE >	
C7311	1-100-907-11	CERAMIC CHIP 0.1UF	10% 10V	D2000	6-501-622-01	DIODE PZU12B2	
C7312	1-100-907-11	CERAMIC CHIP 0.1UF	10% 10V	D2001	6-501-622-01	DIODE PZU12B2	
C7313	1-100-907-11	CERAMIC CHIP 0.1UF	10% 10V	D2002	6-501-622-01	DIODE PZU12B2	
C7314	1-100-907-11	CERAMIC CHIP 0.1UF	10% 10V	D2003	6-501-622-01	DIODE PZU12B2	
C7315	1-117-720-11	CERAMIC CHIP 4.7UF	10V	D2004	6-501-619-01	DIODE PZU9.1B2	
C7316	1-100-907-11	CERAMIC CHIP 0.1UF	10% 10V	D2005	6-501-623-01	DIODE PZU13B2	
C7402	1-100-907-11	CERAMIC CHIP 0.1UF	10% 10V	D2006	6-501-619-01	DIODE PZU9.1B2	
C7404	1-126-394-11	ELECT CHIP 10UF	20.00% 16V	D2007	6-501-619-01	DIODE PZU9.1B2	
C7405	1-126-394-11	ELECT CHIP 10UF	20.00% 16V	D2008	6-501-619-01	DIODE PZU9.1B2	
C7411	1-125-889-91	CERAMIC CHIP 2.2UF	10% 10V	D2009	6-501-614-01	DIODE PZU5.6B2	
C7412	1-125-889-91	CERAMIC CHIP 2.2UF	10% 10V	D2010	6-501-619-01	DIODE PZU9.1B2	
C7415	1-164-874-11	CERAMIC CHIP 100PF	5.00% 50V	D2011	6-501-619-01	DIODE PZU9.1B2	
C7418	1-164-874-11	CERAMIC CHIP 100PF	5.00% 50V	D2012	6-501-619-01	DIODE PZU9.1B2	
C7419	1-164-874-11	CERAMIC CHIP 100PF	5.00% 50V	D2013	6-501-619-01	DIODE PZU9.1B2	
C7420	1-117-720-11	CERAMIC CHIP 4.7UF	10V	D2014	6-501-619-01	DIODE PZU9.1B2	
C7421	1-117-720-11	CERAMIC CHIP 4.7UF	10V	D2015	6-501-619-01	DIODE PZU9.1B2	
C7422	1-125-777-11	CERAMIC CHIP 0.1UF	10.00% 10V	D2016	6-501-619-01	DIODE PZU9.1B2	



REF.NO.	PART.NO	DESCRIPTION	REMARK	REF.NO.	PART.NO	DESCRIPTION	REMARK
IC4204	6-701-162-01	IC MC74LVX259DTR2		L1002	1-410-993-42	INDUCTOR	1UH
IC4205	6-701-166-01	IC MC74LVX4051DTR2		L1003	1-414-755-11	INDUCTOR	22UH
IC4206	6-704-600-01	IC M24C02-WMN6T(B)		L1004	1-400-815-21	INDUCTOR	1.2MH
IC4207	6-701-162-01	IC MC74LVX259DTR2		L1005	1-414-755-11	INDUCTOR	22UH
IC4208	6-701-166-01	IC MC74LVX4051DTR2		L3000	1-412-058-11	INDUCTOR	10UH
IC4210	6-701-162-01	IC MC74LVX259DTR2		L3001	1-481-083-11	INDUCTOR	22UH
IC5001	6-711-340-01	IC BU8254KVT-E2		L3006	1-412-058-11	INDUCTOR	10UH
IC5002	6-710-900-01	IC EP2C8T144C7N		L3007	1-457-429-11	INDUCTOR	22UH
IC5003	6-807-444-01	IC EPCS4S18N-SE1A01		L3008	1-457-429-11	INDUCTOR	22UH
IC5500	6-704-001-01	IC BR24L02F-WE2		L3009	1-457-429-11	INDUCTOR	22UH
IC5501	6-709-806-01	IC IP4776CZ38		L3010	1-457-429-11	INDUCTOR	22UH
IC5502	6-704-001-01	IC BR24L02F-WE2		L4000	1-412-990-41	INDUCTOR	8.2UH
IC5503	6-710-819-01	IC TMDS341APFCR		L4300	1-481-240-11	INDUCTOR	1UH
IC5504	6-709-806-01	IC IP4776CZ38		L4301	1-481-240-11	INDUCTOR	1UH
IC6501	6-710-889-01	IC LA5734MP-DL-E		L4302	1-481-240-11	INDUCTOR	1UH
IC6502	6-710-889-01	IC LA5734MP-DL-E		L4303	1-414-394-11	INDUCTOR	2.2UH
IC6503	6-706-046-01	IC TR11185CSCL-G		L4304	1-481-240-11	INDUCTOR	1UH
IC6504	6-710-889-01	IC LA5734MP-DL-E		L4305	1-481-240-11	INDUCTOR	1UH
IC6505	6-711-042-01	IC BD00KA5WFP-E2		L4306	1-481-240-11	INDUCTOR	1UH
IC6507	6-706-106-01	IC NCF1117STAT3		L4307	1-481-240-11	INDUCTOR	1UH
IC6508	6-705-403-01	IC PQ070XZ012PH		L4308	1-481-240-11	INDUCTOR	1UH
IC6509	6-705-403-01	IC PQ070XZ012PH		L4309	1-481-240-11	INDUCTOR	1UH
IC7100	6-709-214-01	IC UPD61123F1-100-KA3-A		L4310	1-481-240-11	INDUCTOR	1UH
IC7200	6-708-910-01	IC NAND128W3A2BN6F		L4311	1-414-394-11	INDUCTOR	2.2UH
IC7201	6-705-306-01	IC HYB25DC256160CE-6		L4312	1-414-394-11	INDUCTOR	2.2UH
IC7202	6-708-916-01	IC ICS7150MLFT		L5001	1-456-984-11	INDUCTOR	0UH
IC7203	6-700-108-01	IC RV5C387A-E2-FB		L5002	1-456-984-11	INDUCTOR	0UH
IC7300	6-706-482-01	IC TC7SH00FU(T5RSOYJF)		L5003	1-456-984-11	INDUCTOR	0UH
IC7301	6-707-850-01	IC TC74LCX245FT(EKJ)		L5004	1-456-984-11	INDUCTOR	0UH
IC7304	6-706-482-01	IC TC7SH00FU(T5RSOYJF)		L5005	1-456-984-11	INDUCTOR	0UH
IC7305	6-707-846-01	IC TC74LCX14FT(EKJ)		L5006	1-456-984-11	INDUCTOR	0UH
IC7306	6-707-853-01	IC TC74LCX541FT(EKJ)		L5008	1-469-549-21	INDUCTOR	1UH
IC7307	6-707-853-01	IC TC74LCX541FT(EKJ)		L5009	1-469-549-21	INDUCTOR	1UH
IC7308	6-707-853-01	IC TC74LCX541FT(EKJ)		L5050	1-400-180-21	FERRITE	0UH
IC7309	6-707-853-01	IC TC74LCX541FT(EKJ)		L5504	1-414-394-11	INDUCTOR	2.2UH
IC7310	6-707-853-01	IC TC74LCX541FT(EKJ)		L5505	1-414-394-11	INDUCTOR	2.2UH
IC7311	6-707-853-01	IC TC74LCX541FT(EKJ)		L5506	1-414-394-11	INDUCTOR	2.2UH
IC7312	6-710-593-01	IC MIC2025-1YM		L5507	1-414-394-11	INDUCTOR	2.2UH
IC7400	6-710-905-01	IC AK4388ET-E2		L5508	1-414-394-11	INDUCTOR	2.2UH
IC7403	8-759-278-58	IC NJM4558V-TE2		L5509	1-414-394-11	INDUCTOR	2.2UH
	< SOCKET >			L5510	1-414-394-11	INDUCTOR	2.2UH
J2000	1-819-327-21	PHONO JACK 2P		L5511	1-414-394-11	INDUCTOR	2.2UH
J2001	1-819-327-21	PHONO JACK 2P		L5512	1-414-394-11	INDUCTOR	2.2UH
J2002	1-820-021-11	JACK		L6502	1-457-454-11	INDUCTOR	47UH
J2003	1-819-354-21	PHONO JACK 5P		L6504	1-457-454-11	INDUCTOR	47UH
	< COIL >			L6506	1-457-454-11	INDUCTOR	47UH
L1000	1-410-993-42	INDUCTOR	1UH	L6507	1-414-398-11	INDUCTOR	10UH
L1001	1-410-993-42	INDUCTOR	1UH	L6508	1-457-242-11	INDUCTOR	47UH
				L6510	1-424-976-21	INDUCTOR	47UH
				L6512	1-457-242-11	INDUCTOR	47UH

Note : The components identified by shading and marked Δ are critical for safety. Replace only with the part numbers specified in the parts list.



REF.NO.	PART.NO	DESCRIPTION	REMARK	REF.NO.	PART.NO	DESCRIPTION	REMARK
L6513	1-457-455-11	INDUCTOR	10UH	Q4012	8-729-038-28	TRANSISTOR RT1N441C-TP-1	
L6515	1-457-455-11	INDUCTOR	10UH	Q4019	8-729-038-28	TRANSISTOR RT1N441C-TP-1	
L6516	1-457-455-11	INDUCTOR	10UH	Q4020	8-729-038-28	TRANSISTOR RT1N441C-TP-1	
L6517	1-457-455-11	INDUCTOR	10UH	Q5500	8-729-038-23	TRANSISTOR RT1N141C-TP-1	
L7100	1-414-398-11	INDUCTOR	10UH	Q5501	8-729-620-07	TRANSISTOR 2SC3052EF-T1-LEF	
L7200	1-412-008-31	INDUCTOR	15UH	Q5502	8-729-038-23	TRANSISTOR RT1N141C-TP-1	
< PROTECTOR MODULE >				Q5503	8-729-620-07	TRANSISTOR 2SC3052EF-T1-LEF	
PS6501	Δ 1-576-736-41	IC LINK	3.15A 24V	Q5505	8-729-038-37	TRANSISTOR RT1N141M-TP-1	
PS6502	Δ 1-576-736-41	IC LINK	3.15A 24V	Q5506	8-729-038-23	TRANSISTOR RT1N141C-TP-1	
PS6503	Δ 1-576-736-41	IC LINK	3.15A 24V	Q5508	8-729-038-37	TRANSISTOR RT1N141M-TP-1	
PS6506	Δ 1-576-736-41	IC LINK	3.15A 24V	Q5509	8-729-038-37	TRANSISTOR RT1N141M-TP-1	
PS6507	Δ 1-576-736-41	IC LINK	3.15A 24V	Q6401	8-729-620-13	TRANSISTOR 2SC4154TP-1EF	
< TRANSISTOR >				Q6402	6-551-701-01	TRANSISTOR INK0003AC1-T112A-1	
Q1000	8-729-038-23	TRANSISTOR RT1N141C-TP-1		Q6403	8-729-620-13	TRANSISTOR 2SC4154TP-1EF	
Q1001	6-550-237-01	TRANSISTOR 2SC5658T2LQ/R		Q6404	8-729-620-13	TRANSISTOR 2SC4154TP-1EF	
Q1002	6-550-237-01	TRANSISTOR 2SC5658T2LQ/R		Q6405	8-729-620-13	TRANSISTOR 2SC4154TP-1EF	
Q1003	6-550-871-01	TRANSISTOR 2SA2048TL QR		Q6501	8-729-620-07	TRANSISTOR 2SC3052EF-T1-LEF	
Q1004	6-550-871-01	TRANSISTOR 2SA2048TL QR		Q6503	8-729-038-23	TRANSISTOR RT1N141C-TP-1	
Q1005	6-550-871-01	TRANSISTOR 2SA2048TL QR		Q6504	8-729-038-23	TRANSISTOR RT1N141C-TP-1	
Q1006	6-550-237-01	TRANSISTOR 2SC5658T2LQ/R		Q6505	8-729-038-23	TRANSISTOR RT1N141C-TP-1	
Q1007	6-550-237-01	TRANSISTOR 2SC5658T2LQ/R		Q6506	8-729-620-07	TRANSISTOR 2SC3052EF-T1-LEF	
Q2000	8-729-620-33	TRANSISTOR 2SA1235TP-1EF		Q6507	8-729-038-23	TRANSISTOR RT1N141C-TP-1	
Q2001	8-729-620-07	TRANSISTOR 2SC3052EF-T1-LEF		Q6508	8-729-620-07	TRANSISTOR 2SC3052EF-T1-LEF	
Q2002	8-729-620-33	TRANSISTOR 2SA1235TP-1EF		Q6509	8-729-620-07	TRANSISTOR 2SC3052EF-T1-LEF	
Q2003	8-729-620-07	TRANSISTOR 2SC3052EF-T1-LEF		Q6510	8-729-620-07	TRANSISTOR 2SC3052EF-T1-LEF	
Q3000	6-551-364-01	TRANSISTOR DTC614TUT106		Q6513	8-729-038-23	TRANSISTOR RT1N141C-TP-1	
Q3001	6-551-364-01	TRANSISTOR DTC614TUT106		Q6514	8-729-038-23	TRANSISTOR RT1N141C-TP-1	
Q3002	6-551-271-01	TRANSISTOR RT3AMMM		Q6515	6-550-369-01	TRANSISTOR TPC8109 (TE12L)	
Q3003	6-551-271-01	TRANSISTOR RT3AMMM		Q6516	6-550-369-01	TRANSISTOR TPC8109 (TE12L)	
Q3004	8-729-038-37	TRANSISTOR RT1N141M-TP-1		Q6520	6-551-696-01	TRANSISTOR ISA1235AC1TP-1EF	
Q3005	8-729-038-37	TRANSISTOR RT1N141M-TP-1		Q6522	8-729-620-07	TRANSISTOR 2SC3052EF-T1-LEF	
Q3006	8-729-038-36	TRANSISTOR RT1N140M-TP-1		Q6523	8-729-620-07	TRANSISTOR 2SC3052EF-T1-LEF	
Q3009	8-729-620-07	TRANSISTOR 2SC3052EF-T1-LEF		Q6526	8-729-038-28	TRANSISTOR RT1N441C-TP-1	
Q3010	8-729-620-07	TRANSISTOR 2SC3052EF-T1-LEF		Q6527	8-729-620-07	TRANSISTOR 2SC3052EF-T1-LEF	
Q3011	8-729-620-07	TRANSISTOR 2SC3052EF-T1-LEF		Q7200	6-551-696-01	TRANSISTOR ISA1235AC1TP-1EF	
Q3012	8-729-620-10	TRANSISTOR 2SA1602TP-1EF		Q7201	6-551-701-01	TRANSISTOR INK0003AC1-T112A-1	
Q3013	8-729-620-07	TRANSISTOR 2SC3052EF-T1-LEF		Q7202	6-551-701-01	TRANSISTOR INK0003AC1-T112A-1	
Q3014	8-729-038-28	TRANSISTOR RT1N441C-TP-1		Q7203	8-729-038-36	TRANSISTOR RT1N140M-TP-1	
Q4000	6-551-696-01	TRANSISTOR ISA1235AC1TP-1EF		Q7205	8-729-028-86	TRANSISTOR DTA143EUA-T106	
Q4001	8-729-038-30	TRANSISTOR RT1P141M-TP-1		Q7500	6-550-232-01	TRANSISTOR 2SA2029T2LQ/R	
Q4002	6-551-701-01	TRANSISTOR INK0003AC1-T112A-1		Q7501	6-550-232-01	TRANSISTOR 2SA2029T2LQ/R	
Q4003	6-551-701-01	TRANSISTOR INK0003AC1-T112A-1		Q7502	6-550-232-01	TRANSISTOR 2SA2029T2LQ/R	
Q4004	8-729-028-28	TRANSISTOR 2SK2036 (TE85L)		Q7503	6-550-232-01	TRANSISTOR 2SA2029T2LQ/R	
Q4005	6-551-701-01	TRANSISTOR INK0003AC1-T112A-1		< RESISTOR >			
Q4006	8-729-038-28	TRANSISTOR RT1N441C-TP-1		JR5000	1-216-864-11	SHORT CHIP	0
Q4007	8-729-038-23	TRANSISTOR RT1N141C-TP-1		JR5001	1-216-864-11	SHORT CHIP	0
Q4010	6-551-696-01	TRANSISTOR ISA1235AC1TP-1EF		JR5002	1-216-864-11	SHORT CHIP	0
Q4011	8-729-050-10	TRANSISTOR PMBF170-215		JR5007	1-216-864-11	SHORT CHIP	0
				JR5010	1-216-864-11	SHORT CHIP	0



REF.NO.	PART.NO	DESCRIPTION	REMARK	REF.NO.	PART.NO	DESCRIPTION	REMARK
JR5011	1-216-864-11	SHORT CHIP	0	R1069	1-218-963-11	RES-CHIP	6.8K 5% 1/16W
JR6501	1-216-864-11	SHORT CHIP	0	R2000	1-216-295-91	SHORT CHIP	0
JR6503	1-216-864-11	SHORT CHIP	0	R2001	1-216-815-11	METAL CHIP	330 5% 1/10W
R1000	1-218-965-11	RES-CHIP	10K 5% 1/16W	R2002	1-216-049-11	RES-CHIP	1K 5% 1/10W
R1002	1-218-969-11	RES-CHIP	22K 5% 1/16W	R2003	1-216-815-11	METAL CHIP	330 5% 1/10W
R1004	1-218-965-11	RES-CHIP	10K 5% 1/16W	R2004	1-216-049-11	RES-CHIP	1K 5% 1/10W
R1005	1-218-953-11	RES-CHIP	1K 5% 1/16W	R2005	1-216-022-00	RES-CHIP	75 5% 1/10W
R1006	1-218-957-11	RES-CHIP	2.2K 5% 1/16W	R2007	1-216-022-00	RES-CHIP	75 5% 1/10W
R1007	1-218-953-11	RES-CHIP	1K 5% 1/16W	R2008	1-216-022-00	RES-CHIP	75 5% 1/10W
R1008	1-218-965-11	RES-CHIP	10K 5% 1/16W	R2009	1-216-022-00	RES-CHIP	75 5% 1/10W
R1012	1-218-941-81	RES-CHIP	100 5% 1/16W	R2010	1-216-022-00	RES-CHIP	75 5% 1/10W
R1013	1-218-949-11	RES-CHIP	470 5% 1/16W	R2011	1-216-815-11	METAL CHIP	330 5% 1/10W
R1014	1-218-949-11	RES-CHIP	470 5% 1/16W	R2012	1-216-815-11	METAL CHIP	330 5% 1/10W
R1016	1-218-933-11	RES-CHIP	22 5% 1/16W	R2018	1-216-864-11	SHORT CHIP	0
R1020	1-216-833-11	METAL CHIP	10K 5% 1/10W	R2019	1-216-864-11	SHORT CHIP	0
R1021	1-218-969-11	RES-CHIP	22K 5% 1/16W	R2020	1-216-864-11	SHORT CHIP	0
R1022	1-218-937-11	RES-CHIP	47 5% 1/16W	R2021	1-216-864-11	SHORT CHIP	0
R1023	1-218-937-11	RES-CHIP	47 5% 1/16W	R2022	1-216-025-11	RES-CHIP	100 5% 1/10W
R1024	1-218-961-11	RES-CHIP	4.7K 5% 1/16W	R2023	1-216-033-00	RES-CHIP	220 5% 1/10W
R1025	1-218-961-11	RES-CHIP	4.7K 5% 1/16W	R2024	1-216-025-11	RES-CHIP	100 5% 1/10W
R1028	1-218-929-11	RES-CHIP	10 5% 1/16W	R2025	1-216-025-11	RES-CHIP	100 5% 1/10W
R1029	1-218-929-11	RES-CHIP	10 5% 1/16W	R2026	1-216-025-11	RES-CHIP	100 5% 1/10W
R1030	1-218-990-81	SHORT CHIP	0	R2027	1-216-022-00	RES-CHIP	75 5% 1/10W
R1031	1-218-990-81	SHORT CHIP	0	R2028	1-216-025-11	RES-CHIP	100 5% 1/10W
R1032	1-218-933-11	RES-CHIP	22 5% 1/16W	R2033	1-216-864-11	SHORT CHIP	0
R1033	1-218-990-81	SHORT CHIP	0	R2034	1-216-864-11	SHORT CHIP	0
R1034	1-218-990-81	SHORT CHIP	0	R2037	1-216-853-11	METAL CHIP	470K 5% 1/10W
R1035	1-218-941-81	RES-CHIP	100 5% 1/16W	R2038	1-216-853-11	METAL CHIP	470K 5% 1/10W
R1036	1-218-941-81	RES-CHIP	100 5% 1/16W	R2039	1-216-853-11	METAL CHIP	470K 5% 1/10W
R1037	1-218-969-11	RES-CHIP	22K 5% 1/16W	R2040	1-216-853-11	METAL CHIP	470K 5% 1/10W
R1038	1-218-990-81	SHORT CHIP	0	R2041	1-216-811-11	METAL CHIP	150 5% 1/10W
R1039	1-218-990-81	SHORT CHIP	0	R2043	1-216-864-11	SHORT CHIP	0
R1040	1-218-941-81	RES-CHIP	100 5% 1/16W	R2046	1-216-817-11	METAL CHIP	470 5% 1/10W
R1041	1-218-941-81	RES-CHIP	100 5% 1/16W	R2047	1-216-811-11	METAL CHIP	150 5% 1/10W
R1042	1-218-990-81	SHORT CHIP	0	R2054	1-216-840-11	METAL CHIP	39K 5% 1/10W
R1043	1-216-295-91	SHORT CHIP	0	R2055	1-216-833-11	METAL CHIP	10K 5% 1/10W
R1044	1-218-990-81	SHORT CHIP	0	R2056	1-216-049-11	RES-CHIP	1K 5% 1/10W
R1045	1-218-957-11	RES-CHIP	2.2K 5% 1/16W	R2057	1-216-049-11	RES-CHIP	1K 5% 1/10W
R1046	1-218-933-11	RES-CHIP	22 5% 1/16W	R2058	1-216-853-11	METAL CHIP	470K 5% 1/10W
R1047	1-218-933-11	RES-CHIP	22 5% 1/16W	R2059	1-216-853-11	METAL CHIP	470K 5% 1/10W
R1051	1-218-965-11	RES-CHIP	10K 5% 1/16W	R2060	1-216-864-11	SHORT CHIP	0
R1054	1-218-990-81	SHORT CHIP	0	R2061	1-216-864-11	SHORT CHIP	0
R1056	1-218-937-11	RES-CHIP	47 5% 1/16W	R2062	1-216-864-11	SHORT CHIP	0
R1063	1-218-953-11	RES-CHIP	1K 5% 1/16W	R2063	1-216-864-11	SHORT CHIP	0
R1064	1-216-833-11	METAL CHIP	10K 5% 1/10W	R2064	1-216-853-11	METAL CHIP	470K 5% 1/10W
R1065	1-216-864-11	SHORT CHIP	0	R2065	1-216-853-11	METAL CHIP	470K 5% 1/10W
R1066	1-216-864-11	SHORT CHIP	0	R2066	1-216-049-11	RES-CHIP	1K 5% 1/10W
R1067	1-216-864-11	SHORT CHIP	0	R2067	1-216-049-11	RES-CHIP	1K 5% 1/10W
R1068	1-218-977-11	RES-CHIP	100K 5% 1/16W	R2077	1-216-295-91	SHORT CHIP	0
				R2080	1-216-022-00	RES-CHIP	75 5% 1/10W



REF.NO.	PART.NO	DESCRIPTION	REMARK			REF.NO.	PART.NO	DESCRIPTION	REMARK		
R2082	1-216-022-00	RES-CHIP	75	5%	1/10W	R3006	1-218-965-11	RES-CHIP	10K	5%	1/16W
R2083	1-216-022-00	RES-CHIP	75	5%	1/10W	R3007	1-218-961-11	RES-CHIP	4.7K	5%	1/16W
R2084	1-216-022-00	RES-CHIP	75	5%	1/10W	R3008	1-218-973-11	RES-CHIP	47K	5%	1/16W
R2085	1-216-022-00	RES-CHIP	75	5%	1/10W	R3009	1-218-965-11	RES-CHIP	10K	5%	1/16W
R2086	1-216-809-11	METAL CHIP	100	5%	1/10W	R3010	1-218-961-11	RES-CHIP	4.7K	5%	1/16W
R2087	1-216-809-11	METAL CHIP	100	5%	1/10W	R3011	1-218-973-11	RES-CHIP	47K	5%	1/16W
R2088	1-216-809-11	METAL CHIP	100	5%	1/10W	R3012	1-218-973-11	RES-CHIP	47K	5%	1/16W
R2089	1-216-815-11	METAL CHIP	330	5%	1/10W	R3013	1-218-965-11	RES-CHIP	10K	5%	1/16W
R2090	1-216-049-11	RES-CHIP	1K	5%	1/10W	R3014	1-218-973-11	RES-CHIP	47K	5%	1/16W
R2091	1-216-815-11	METAL CHIP	330	5%	1/10W	R3015	1-218-965-11	RES-CHIP	10K	5%	1/16W
R2092	1-216-049-11	RES-CHIP	1K	5%	1/10W	R3016	1-218-965-11	RES-CHIP	10K	5%	1/16W
R2093	1-216-853-11	METAL CHIP	470K	5%	1/10W	R3017	1-218-977-11	RES-CHIP	100K	5%	1/16W
R2094	1-216-853-11	METAL CHIP	470K	5%	1/10W	R3018	1-216-809-11	METAL CHIP	100	5%	1/10W
R2095	1-216-864-11	SHORT CHIP	0			R3019	1-216-809-11	METAL CHIP	100	5%	1/10W
R2096	1-216-864-11	SHORT CHIP	0			R3020	1-218-977-11	RES-CHIP	100K	5%	1/16W
R2097	1-216-864-11	SHORT CHIP	0			R3021	1-218-977-11	RES-CHIP	100K	5%	1/16W
R2098	1-216-864-11	SHORT CHIP	0			R3022	1-216-864-11	SHORT CHIP	0		
R2099	1-216-864-11	SHORT CHIP	0			R3024	1-216-815-11	METAL CHIP	330	5%	1/10W
R2100	1-216-864-11	SHORT CHIP	0			R3025	1-216-815-11	METAL CHIP	330	5%	1/10W
R2101	1-216-025-11	RES-CHIP	100	5%	1/10W	R3026	1-218-963-11	RES-CHIP	6.8K	5%	1/16W
R2102	1-216-025-11	RES-CHIP	100	5%	1/10W	R3027	1-218-977-11	RES-CHIP	100K	5%	1/16W
R2103	1-216-033-00	RES-CHIP	220	5%	1/10W	R3028	1-218-965-11	RES-CHIP	10K	5%	1/16W
R2104	1-216-025-11	RES-CHIP	100	5%	1/10W	R3029	1-218-977-11	RES-CHIP	100K	5%	1/16W
R2105	1-216-025-11	RES-CHIP	100	5%	1/10W	R3030	1-218-973-11	RES-CHIP	47K	5%	1/16W
R2106	1-216-025-11	RES-CHIP	100	5%	1/10W	R3031	1-216-809-11	METAL CHIP	100	5%	1/10W
R2107	1-216-022-00	RES-CHIP	75	5%	1/10W	R3032	1-216-809-11	METAL CHIP	100	5%	1/10W
R2108	1-216-025-11	RES-CHIP	100	5%	1/10W	R3033	1-216-809-11	METAL CHIP	100	5%	1/10W
R2109	1-216-029-00	RES-CHIP	150	5%	1/10W	R3034	1-216-809-11	METAL CHIP	100	5%	1/10W
R2110	1-216-029-00	RES-CHIP	150	5%	1/10W	R3035	1-216-864-11	SHORT CHIP	0		
R2111	1-216-029-00	RES-CHIP	150	5%	1/10W	R3036	1-216-864-11	SHORT CHIP	0		
R2112	1-216-853-11	METAL CHIP	470K	5%	1/10W	R3037	1-216-809-11	METAL CHIP	100	5%	1/10W
R2113	1-216-853-11	METAL CHIP	470K	5%	1/10W	R3038	1-216-864-11	SHORT CHIP	0		
R2114	1-216-853-11	METAL CHIP	470K	5%	1/10W	R3039	1-216-817-11	METAL CHIP	470	5%	1/10W
R2115	1-216-853-11	METAL CHIP	470K	5%	1/10W	R3040	1-216-829-11	METAL CHIP	4.7K	5%	1/10W
R2116	1-216-049-11	RES-CHIP	1K	5%	1/10W	R3041	1-216-829-11	METAL CHIP	4.7K	5%	1/10W
R2117	1-216-029-00	RES-CHIP	150	5%	1/10W	R3042	1-216-817-11	METAL CHIP	470	5%	1/10W
R2118	1-216-029-00	RES-CHIP	150	5%	1/10W	R3043	1-216-809-11	METAL CHIP	100	5%	1/10W
R2119	1-216-029-00	RES-CHIP	150	5%	1/10W	R3044	1-216-809-11	METAL CHIP	100	5%	1/10W
R2120	1-216-049-11	RES-CHIP	1K	5%	1/10W	R3045	1-216-849-11	METAL CHIP	220K	5%	1/10W
R2121	1-216-811-11	METAL CHIP	150	5%	1/10W	R3046	1-216-809-11	METAL CHIP	100	5%	1/10W
R2122	1-216-817-11	METAL CHIP	470	5%	1/10W	R3047	1-216-809-11	METAL CHIP	100	5%	1/10W
R2123	1-216-811-11	METAL CHIP	150	5%	1/10W	R3048	1-216-809-11	METAL CHIP	100	5%	1/10W
R2124	1-216-840-11	METAL CHIP	39K	5%	1/10W	R3049	1-216-864-11	SHORT CHIP	0		
R2125	1-216-833-11	METAL CHIP	10K	5%	1/10W	R3052	1-216-821-11	METAL CHIP	1K	5%	1/10W
R3000	1-216-829-11	METAL CHIP	4.7K	5%	1/10W	R3053	1-216-833-11	METAL CHIP	10K	5%	1/10W
R3001	1-216-829-11	METAL CHIP	4.7K	5%	1/10W	R3054	1-216-833-11	METAL CHIP	10K	5%	1/10W
R3002	1-216-809-11	METAL CHIP	100	5%	1/10W	R3055	1-216-833-11	METAL CHIP	10K	5%	1/10W
R3003	1-216-809-11	METAL CHIP	100	5%	1/10W	R3056	1-216-833-11	METAL CHIP	10K	5%	1/10W
R3004	1-218-977-11	RES-CHIP	100K	5%	1/16W	R3057	1-216-833-11	METAL CHIP	10K	5%	1/10W
R3005	1-218-965-11	RES-CHIP	10K	5%	1/16W	R3058	1-216-833-11	METAL CHIP	10K	5%	1/10W



REF.NO.	PART.NO	DESCRIPTION	REMARK			REF.NO.	PART.NO	DESCRIPTION	REMARK		
R3059	1-216-833-11	METAL CHIP	10K	5%	1/10W	R4051	1-216-864-11	SHORT CHIP	0		
R3060	1-216-837-11	METAL CHIP	22K	5%	1/10W	R4052	1-216-809-11	METAL CHIP	100	5%	1/10W
R3061	1-216-833-11	METAL CHIP	10K	5%	1/10W	R4053	1-216-864-11	SHORT CHIP	0		
R3062	1-216-817-11	METAL CHIP	470	5%	1/10W	R4054	1-216-864-11	SHORT CHIP	0		
R3063	1-216-841-11	METAL CHIP	47K	5%	1/10W	R4055	1-216-864-11	SHORT CHIP	0		
R3064	1-216-809-11	METAL CHIP	100	5%	1/10W	R4056	1-216-864-11	SHORT CHIP	0		
R3065	1-216-833-11	METAL CHIP	10K	5%	1/10W	R4057	1-216-864-11	SHORT CHIP	0		
R3067	1-216-839-11	METAL CHIP	33K	5%	1/10W	R4058	1-216-809-11	METAL CHIP	100	5%	1/10W
R3068	1-216-839-11	METAL CHIP	33K	5%	1/10W	R4059	1-216-864-11	SHORT CHIP	0		
R3069	1-216-837-11	METAL CHIP	22K	5%	1/10W	R4060	1-216-864-11	SHORT CHIP	0		
R3071	1-216-864-11	SHORT CHIP	0			R4061	1-216-864-11	SHORT CHIP	0		
R3073	1-216-864-11	SHORT CHIP	0			R4062	1-216-845-11	METAL CHIP	100K	5%	1/10W
R3074	1-216-845-11	METAL CHIP	100K	5%	1/10W	R4063	1-216-809-11	METAL CHIP	100	5%	1/10W
R4000	1-216-864-11	SHORT CHIP	0			R4064	1-216-833-11	METAL CHIP	10K	5%	1/10W
R4001	1-216-833-11	METAL CHIP	10K	5%	1/10W	R4065	1-216-809-11	METAL CHIP	100	5%	1/10W
R4003	1-216-833-11	METAL CHIP	10K	5%	1/10W	R4066	1-216-809-11	METAL CHIP	100	5%	1/10W
R4004	1-216-825-11	METAL CHIP	2.2K	5%	1/10W	R4067	1-216-809-11	METAL CHIP	100	5%	1/10W
R4005	1-216-864-11	SHORT CHIP	0			R4068	1-216-809-11	METAL CHIP	100	5%	1/10W
R4006	1-216-864-11	SHORT CHIP	0			R4069	1-216-809-11	METAL CHIP	100	5%	1/10W
R4007	1-216-825-11	METAL CHIP	2.2K	5%	1/10W	R4070	1-216-809-11	METAL CHIP	100	5%	1/10W
R4008	1-216-833-11	METAL CHIP	10K	5%	1/10W	R4071	1-216-864-11	SHORT CHIP	0		
R4009	1-216-809-11	METAL CHIP	100	5%	1/10W	R4072	1-216-809-11	METAL CHIP	100	5%	1/10W
R4011	1-216-809-11	METAL CHIP	100	5%	1/10W	R4073	1-216-809-11	METAL CHIP	100	5%	1/10W
R4021	1-216-833-11	METAL CHIP	10K	5%	1/10W	R4074	1-216-809-11	METAL CHIP	100	5%	1/10W
R4022	1-216-833-11	METAL CHIP	10K	5%	1/10W	R4075	1-216-833-11	METAL CHIP	10K	5%	1/10W
R4023	1-216-847-11	METAL CHIP	150K	5%	1/10W	R4076	1-216-809-11	METAL CHIP	100	5%	1/10W
R4024	1-216-838-11	METAL CHIP	27K	5%	1/10W	R4077	1-216-809-11	METAL CHIP	100	5%	1/10W
R4025	1-216-849-11	METAL CHIP	220K	5%	1/10W	R4079	1-216-864-11	SHORT CHIP	0		
R4026	1-216-849-11	METAL CHIP	220K	5%	1/10W	R4080	1-216-864-11	SHORT CHIP	0		
R4027	1-216-849-11	METAL CHIP	220K	5%	1/10W	R4081	1-216-864-11	SHORT CHIP	0		
R4028	1-216-845-11	METAL CHIP	100K	5%	1/10W	R4082	1-216-864-11	SHORT CHIP	0		
R4029	1-216-841-11	METAL CHIP	47K	5%	1/10W	R4084	1-216-809-11	METAL CHIP	100	5%	1/10W
R4030	1-216-849-11	METAL CHIP	220K	5%	1/10W	R4085	1-216-809-11	METAL CHIP	100	5%	1/10W
R4031	1-216-841-11	METAL CHIP	47K	5%	1/10W	R4086	1-216-864-11	SHORT CHIP	0		
R4032	1-216-849-11	METAL CHIP	220K	5%	1/10W	R4087	1-216-833-11	METAL CHIP	10K	5%	1/10W
R4033	1-216-849-11	METAL CHIP	220K	5%	1/10W	R4088	1-216-864-11	SHORT CHIP	0		
R4034	1-216-849-11	METAL CHIP	220K	5%	1/10W	R4089	1-216-864-11	SHORT CHIP	0		
R4035	1-216-864-11	SHORT CHIP	0			R4090	1-216-864-11	SHORT CHIP	0		
R4036	1-216-849-11	METAL CHIP	220K	5%	1/10W	R4091	1-216-864-11	SHORT CHIP	0		
R4040	1-216-864-11	SHORT CHIP	0			R4092	1-216-813-11	METAL CHIP	220	5%	1/10W
R4041	1-216-864-11	SHORT CHIP	0			R4093	1-216-864-11	SHORT CHIP	0		
R4042	1-216-864-11	SHORT CHIP	0			R4094	1-216-864-11	SHORT CHIP	0		
R4043	1-216-864-11	SHORT CHIP	0			R4095	1-218-823-11	METAL CHIP	100	0.5%	1/10W
R4044	1-216-864-11	SHORT CHIP	0			R4096	1-218-823-11	METAL CHIP	100	0.5%	1/10W
R4045	1-220-397-11	METAL CHIP	4.7M	5%	1/10W	R4097	1-218-823-11	METAL CHIP	100	0.5%	1/10W
R4046	1-216-833-11	METAL CHIP	10K	5%	1/10W	R4098	1-218-823-11	METAL CHIP	100	0.5%	1/10W
R4047	1-216-864-11	SHORT CHIP	0			R4099	1-216-864-11	SHORT CHIP	0		
R4048	1-216-864-11	SHORT CHIP	0			R4100	1-218-823-11	METAL CHIP	100	0.5%	1/10W
R4049	1-216-864-11	SHORT CHIP	0			R4101	1-218-823-11	METAL CHIP	100	0.5%	1/10W
R4050	1-216-864-11	SHORT CHIP	0			R4102	1-218-823-11	METAL CHIP	100	0.5%	1/10W



REF.NO.	PART.NO	DESCRIPTION	REMARK	REF.NO.	PART.NO	DESCRIPTION	REMARK
R4103	1-218-823-11	METAL CHIP	100 0.5% 1/10W	R4202	1-218-965-11	RES-CHIP	10K 5% 1/16W
R4104	1-218-823-11	METAL CHIP	100 0.5% 1/10W	R4203	1-218-847-11	METAL CHIP	1K 0.5% 1/10W
R4105	1-218-823-11	METAL CHIP	100 0.5% 1/10W	R4204	1-216-813-11	METAL CHIP	220 5% 1/10W
R4106	1-218-823-11	METAL CHIP	100 0.5% 1/10W	R4215	1-216-831-11	METAL CHIP	6.8K 5% 1/10W
R4107	1-218-823-11	METAL CHIP	100 0.5% 1/10W	R4216	1-216-831-11	METAL CHIP	6.8K 5% 1/10W
R4108	1-216-809-11	METAL CHIP	100 5% 1/10W	R4217	1-216-825-11	METAL CHIP	2.2K 5% 1/10W
R4109	1-216-809-11	METAL CHIP	100 5% 1/10W	R4218	1-216-825-11	METAL CHIP	2.2K 5% 1/10W
R4114	1-216-805-11	METAL CHIP	47 5% 1/10W	R4220	1-216-809-11	METAL CHIP	100 5% 1/10W
R4115	1-216-821-11	METAL CHIP	1K 5% 1/10W	R4221	1-216-809-11	METAL CHIP	100 5% 1/10W
R4116	1-216-805-11	METAL CHIP	47 5% 1/10W	R4222	1-216-809-11	METAL CHIP	100 5% 1/10W
R4118	1-216-805-11	METAL CHIP	47 5% 1/10W	R4223	1-216-809-11	METAL CHIP	100 5% 1/10W
R4120	1-216-864-11	SHORT CHIP	0	R4229	1-216-809-11	METAL CHIP	100 5% 1/10W
R4124	1-216-864-11	SHORT CHIP	0	R4230	1-216-809-11	METAL CHIP	100 5% 1/10W
R4128	1-216-864-11	SHORT CHIP	0	R4231	1-216-809-11	METAL CHIP	100 5% 1/10W
R4129	1-216-809-11	METAL CHIP	100 5% 1/10W	R4232	1-216-809-11	METAL CHIP	100 5% 1/10W
R4131	1-216-809-11	METAL CHIP	100 5% 1/10W	R4234	1-216-809-11	METAL CHIP	100 5% 1/10W
R4134	1-216-809-11	METAL CHIP	100 5% 1/10W	R4235	1-216-809-11	METAL CHIP	100 5% 1/10W
R4135	1-216-809-11	METAL CHIP	100 5% 1/10W	R4236	1-216-809-11	METAL CHIP	100 5% 1/10W
R4137	1-216-809-11	METAL CHIP	100 5% 1/10W	R4237	1-216-809-11	METAL CHIP	100 5% 1/10W
R4138	1-216-809-11	METAL CHIP	100 5% 1/10W	R4238	1-216-809-11	METAL CHIP	100 5% 1/10W
R4141	1-216-864-11	SHORT CHIP	0	R4239	1-216-809-11	METAL CHIP	100 5% 1/10W
R4142	1-216-864-11	SHORT CHIP	0	R4240	1-216-845-11	METAL CHIP	100K 5% 1/10W
R4143	1-216-809-11	METAL CHIP	100 5% 1/10W	R4242	1-216-797-11	METAL CHIP	10 5% 1/10W
R4144	1-216-809-11	METAL CHIP	100 5% 1/10W	R4243	1-216-797-11	METAL CHIP	10 5% 1/10W
R4145	1-216-809-11	METAL CHIP	100 5% 1/10W	R4244	1-216-797-11	METAL CHIP	10 5% 1/10W
R4146	1-216-809-11	METAL CHIP	100 5% 1/10W	R4245	1-216-809-11	METAL CHIP	100 5% 1/10W
R4147	1-216-809-11	METAL CHIP	100 5% 1/10W	R4246	1-216-809-11	METAL CHIP	100 5% 1/10W
R4148	1-216-809-11	METAL CHIP	100 5% 1/10W	R4247	1-216-809-11	METAL CHIP	100 5% 1/10W
R4149	1-216-809-11	METAL CHIP	100 5% 1/10W	R4248	1-216-809-11	METAL CHIP	100 5% 1/10W
R4150	1-216-809-11	METAL CHIP	100 5% 1/10W	R4249	1-216-809-11	METAL CHIP	100 5% 1/10W
R4151	1-216-864-11	SHORT CHIP	0	R4251	1-216-821-11	METAL CHIP	1K 5% 1/10W
R4152	1-216-864-11	SHORT CHIP	0	R4252	1-218-827-11	METAL CHIP	150 0.5% 1/10W
R4153	1-216-864-11	SHORT CHIP	0	R4253	1-218-827-11	METAL CHIP	150 0.5% 1/10W
R4154	1-216-817-11	METAL CHIP	470 5% 1/10W	R4254	1-216-829-11	METAL CHIP	4.7K 5% 1/10W
R4155	1-216-864-11	SHORT CHIP	0	R4255	1-216-829-11	METAL CHIP	4.7K 5% 1/10W
R4156	1-216-837-11	METAL CHIP	22K 5% 1/10W	R4256	1-216-829-11	METAL CHIP	4.7K 5% 1/10W
R4157	1-216-849-11	METAL CHIP	220K 5% 1/10W	R4257	1-216-809-11	METAL CHIP	100 5% 1/10W
R4159	1-216-833-11	METAL CHIP	10K 5% 1/10W	R4258	1-218-827-11	METAL CHIP	150 0.5% 1/10W
R4160	1-216-839-11	METAL CHIP	33K 5% 1/10W	R4259	1-218-827-11	METAL CHIP	150 0.5% 1/10W
R4162	1-216-839-11	METAL CHIP	33K 5% 1/10W	R4260	1-218-827-11	METAL CHIP	150 0.5% 1/10W
R4163	1-216-809-11	METAL CHIP	100 5% 1/10W	R4261	1-218-827-11	METAL CHIP	150 0.5% 1/10W
R4164	1-216-833-11	METAL CHIP	10K 5% 1/10W	R4262	1-216-809-11	METAL CHIP	100 5% 1/10W
R4165	1-216-841-11	METAL CHIP	47K 5% 1/10W	R4263	1-216-809-11	METAL CHIP	100 5% 1/10W
R4169	1-216-809-11	METAL CHIP	100 5% 1/10W	R4264	1-216-809-11	METAL CHIP	100 5% 1/10W
R4180	1-216-837-11	METAL CHIP	22K 5% 1/10W	R4265	1-216-809-11	METAL CHIP	100 5% 1/10W
R4190	1-218-990-81	SHORT CHIP	0	R4266	1-216-805-11	METAL CHIP	47 5% 1/10W
R4191	1-218-990-81	SHORT CHIP	0	R4267	1-216-805-11	METAL CHIP	47 5% 1/10W
R4192	1-218-990-81	SHORT CHIP	0	R4270	1-216-833-11	METAL CHIP	10K 5% 1/10W
R4200	1-216-833-11	METAL CHIP	10K 5% 1/10W	R4271	1-216-833-11	METAL CHIP	10K 5% 1/10W
R4201	1-218-847-11	METAL CHIP	1K 0.5% 1/10W	R4273	1-216-809-11	METAL CHIP	100 5% 1/10W



REF.NO.	PART.NO	DESCRIPTION	REMARK			REF.NO.	PART.NO	DESCRIPTION	REMARK		
R4274	1-216-809-11	METAL CHIP	100	5%	1/10W	R5019	1-216-809-11	METAL CHIP	100	5%	1/10W
R4275	1-216-809-11	METAL CHIP	100	5%	1/10W	R5022	1-216-809-11	METAL CHIP	100	5%	1/10W
R4276	1-216-809-11	METAL CHIP	100	5%	1/10W	R5023	1-216-809-11	METAL CHIP	100	5%	1/10W
R4278	1-216-809-11	METAL CHIP	100	5%	1/10W	R5024	1-216-864-11	SHORT CHIP	0		
R4279	1-216-805-11	METAL CHIP	47	5%	1/10W	R5025	1-216-864-11	SHORT CHIP	0		
R4280	1-216-864-11	SHORT CHIP	0			R5026	1-216-864-11	SHORT CHIP	0		
R4281	1-216-864-11	SHORT CHIP	0			R5027	1-216-864-11	SHORT CHIP	0		
R4282	1-216-864-11	SHORT CHIP	0			R5030	1-216-864-11	SHORT CHIP	0		
R4283	1-216-809-11	METAL CHIP	100	5%	1/10W	R5031	1-216-864-11	SHORT CHIP	0		
R4284	1-216-809-11	METAL CHIP	100	5%	1/10W	R5032	1-216-864-11	SHORT CHIP	0		
R4285	1-216-809-11	METAL CHIP	100	5%	1/10W	R5033	1-216-864-11	SHORT CHIP	0		
R4286	1-216-829-11	METAL CHIP	4.7K	5%	1/10W	R5050	1-216-864-11	SHORT CHIP	0		
R4287	1-216-809-11	METAL CHIP	100	5%	1/10W	R5051	1-216-864-11	SHORT CHIP	0		
R4288	1-216-809-11	METAL CHIP	100	5%	1/10W	R5052	1-216-864-11	SHORT CHIP	0		
R4289	1-216-809-11	METAL CHIP	100	5%	1/10W	R5053	1-216-864-11	SHORT CHIP	0		
R4290	1-216-809-11	METAL CHIP	100	5%	1/10W	R5054	1-216-864-11	SHORT CHIP	0		
R4291	1-216-805-11	METAL CHIP	47	5%	1/10W	R5055	1-216-864-11	SHORT CHIP	0		
R4292	1-216-809-11	METAL CHIP	100	5%	1/10W	R5057	1-216-864-11	SHORT CHIP	0		
R4293	1-216-809-11	METAL CHIP	100	5%	1/10W	R5058	1-216-864-11	SHORT CHIP	0		
R4294	1-216-809-11	METAL CHIP	100	5%	1/10W	R5059	1-216-864-11	SHORT CHIP	0		
R4295	1-216-809-11	METAL CHIP	100	5%	1/10W	R5060	1-216-864-11	SHORT CHIP	0		
R4296	1-216-809-11	METAL CHIP	100	5%	1/10W	R5063	1-216-864-11	SHORT CHIP	0		
R4306	1-216-809-11	METAL CHIP	100	5%	1/10W	R5501	1-216-821-11	METAL CHIP	1K	5%	1/10W
R4307	1-216-829-11	METAL CHIP	4.7K	5%	1/10W	R5502	1-218-973-11	RES-CHIP	47K	5%	1/16W
R4308	1-216-809-11	METAL CHIP	100	5%	1/10W	R5503	1-216-833-11	METAL CHIP	10K	5%	1/10W
R4309	1-216-809-11	METAL CHIP	100	5%	1/10W	R5504	1-216-833-11	METAL CHIP	10K	5%	1/10W
R4310	1-216-809-11	METAL CHIP	100	5%	1/10W	R5505	1-216-833-11	METAL CHIP	10K	5%	1/10W
R4311	1-216-809-11	METAL CHIP	100	5%	1/10W	R5514	1-216-809-11	METAL CHIP	100	5%	1/10W
R4312	1-216-809-11	METAL CHIP	100	5%	1/10W	R5515	1-216-809-11	METAL CHIP	100	5%	1/10W
R4313	1-216-809-11	METAL CHIP	100	5%	1/10W	R5516	1-216-835-11	METAL CHIP	15K	5%	1/10W
R4314	1-216-809-11	METAL CHIP	100	5%	1/10W	R5517	1-216-835-11	METAL CHIP	15K	5%	1/10W
R4315	1-216-809-11	METAL CHIP	100	5%	1/10W	R5518	1-216-833-11	METAL CHIP	10K	5%	1/10W
R4430	1-216-809-11	METAL CHIP	100	5%	1/10W	R5521	1-216-821-11	METAL CHIP	1K	5%	1/10W
R4434	1-216-831-11	METAL CHIP	6.8K	5%	1/10W	R5522	1-216-833-11	METAL CHIP	10K	5%	1/10W
R4435	1-216-831-11	METAL CHIP	6.8K	5%	1/10W	R5523	1-216-829-11	METAL CHIP	4.7K	5%	1/10W
R4438	1-216-864-11	SHORT CHIP	0			R5524	1-216-829-11	METAL CHIP	4.7K	5%	1/10W
R4439	1-216-864-11	SHORT CHIP	0			R5525	1-216-833-11	METAL CHIP	10K	5%	1/10W
R4440	1-216-864-11	SHORT CHIP	0			R5526	1-218-990-81	SHORT CHIP	0		
R4441	1-216-864-11	SHORT CHIP	0			R5527	1-216-833-11	METAL CHIP	10K	5%	1/10W
R4442	1-216-864-11	SHORT CHIP	0			R5528	1-216-809-11	METAL CHIP	100	5%	1/10W
R4443	1-216-864-11	SHORT CHIP	0			R5530	1-216-809-11	METAL CHIP	100	5%	1/10W
R4444	1-216-809-11	METAL CHIP	100	5%	1/10W	R5532	1-216-835-11	METAL CHIP	15K	5%	1/10W
R4445	1-216-864-11	SHORT CHIP	0			R5534	1-216-835-11	METAL CHIP	15K	5%	1/10W
R5006	1-216-809-11	METAL CHIP	100	5%	1/10W	R5536	1-216-833-11	METAL CHIP	10K	5%	1/10W
R5007	1-216-845-11	METAL CHIP	100K	5%	1/10W	R5539	1-218-990-81	SHORT CHIP	0		
R5011	1-216-833-11	METAL CHIP	10K	5%	1/10W	R5544	1-218-953-11	RES-CHIP	1K	5%	1/16W
R5013	1-216-805-11	METAL CHIP	47	5%	1/10W	R5546	1-216-809-11	METAL CHIP	100	5%	1/10W
R5015	1-216-833-11	METAL CHIP	10K	5%	1/10W	R5548	1-208-923-11	METAL CHIP	33K	0.5%	1/16W
R5016	1-216-833-11	METAL CHIP	10K	5%	1/10W	R5549	1-208-899-81	METAL CHIP	3.3K	0.5%	1/16W
R5017	1-216-833-11	METAL CHIP	10K	5%	1/10W	R5550	1-208-899-81	METAL CHIP	3.3K	0.5%	1/16W



REF.NO.	PART.NO	DESCRIPTION	REMARK	REF.NO.	PART.NO	DESCRIPTION	REMARK
R5551	1-208-899-81	METAL CHIP	3.3K 0.5% 1/16W	R5665	1-218-990-81	SHORT CHIP	0
R5553	1-216-829-11	METAL CHIP	4.7K 5% 1/10W	R5668	1-218-990-81	SHORT CHIP	0
R5554	1-218-937-11	RES-CHIP	47 5% 1/16W	R5669	1-218-990-81	SHORT CHIP	0
R5555	1-218-937-11	RES-CHIP	47 5% 1/16W	R5672	1-218-990-81	SHORT CHIP	0
R5556	1-216-864-11	SHORT CHIP	0	R5673	1-218-990-81	SHORT CHIP	0
R5557	1-216-829-11	METAL CHIP	4.7K 5% 1/10W	R6401	1-216-809-11	METAL CHIP	100 5% 1/10W
R5558	1-218-961-11	RES-CHIP	4.7K 5% 1/16W	R6402	1-216-864-11	SHORT CHIP	0
R5560	1-218-961-11	RES-CHIP	4.7K 5% 1/16W	R6404	1-216-833-11	METAL CHIP	10K 5% 1/10W
R5561	1-218-965-11	RES-CHIP	10K 5% 1/16W	R6406	1-216-809-11	METAL CHIP	100 5% 1/10W
R5566	1-216-864-11	SHORT CHIP	0	R6407	1-216-833-11	METAL CHIP	10K 5% 1/10W
R5567	1-216-864-11	SHORT CHIP	0	R6408	1-216-833-11	METAL CHIP	10K 5% 1/10W
R5576	1-218-847-11	METAL CHIP	1K 0.5% 1/10W	R6409	1-216-833-11	METAL CHIP	10K 5% 1/10W
R5577	1-218-847-11	METAL CHIP	1K 0.5% 1/10W	R6411	1-216-825-11	METAL CHIP	2.2K 5% 1/10W
R5578	1-216-809-11	METAL CHIP	100 5% 1/10W	R6412	1-216-833-11	METAL CHIP	10K 5% 1/10W
R5583	1-216-864-11	SHORT CHIP	0	R6414	1-216-829-11	METAL CHIP	4.7K 5% 1/10W
R5584	1-216-864-11	SHORT CHIP	0	R6415	1-216-864-11	SHORT CHIP	0
R5585	1-216-864-11	SHORT CHIP	0	R6416	1-216-809-11	METAL CHIP	100 5% 1/10W
R5586	1-216-839-11	METAL CHIP	33K 5% 1/10W	R6417	1-216-864-11	SHORT CHIP	0
R5587	1-216-864-11	SHORT CHIP	0	R6418	1-216-833-11	METAL CHIP	10K 5% 1/10W
R5588	1-216-809-11	METAL CHIP	100 5% 1/10W	R6419	1-216-833-11	METAL CHIP	10K 5% 1/10W
R5589	1-216-864-11	SHORT CHIP	0	R6420	1-216-843-11	METAL CHIP	68K 5% 1/10W
R5590	1-216-864-11	SHORT CHIP	0	R6421	1-216-851-11	METAL CHIP	330K 5% 1/10W
R5591	1-216-809-11	METAL CHIP	100 5% 1/10W	R6422	1-216-864-11	SHORT CHIP	0
R5592	1-216-809-11	METAL CHIP	100 5% 1/10W	R6423	1-216-851-11	METAL CHIP	330K 5% 1/10W
R5593	1-216-809-11	METAL CHIP	100 5% 1/10W	R6424	1-216-833-11	METAL CHIP	10K 5% 1/10W
R5601	1-216-809-11	METAL CHIP	100 5% 1/10W	R6426	1-216-809-11	METAL CHIP	100 5% 1/10W
R5606	1-216-864-11	SHORT CHIP	0	R6427	1-216-851-11	METAL CHIP	330K 5% 1/10W
R5607	1-216-864-11	SHORT CHIP	0	R6428	1-216-864-11	SHORT CHIP	0
R5608	1-216-833-11	METAL CHIP	10K 5% 1/10W	R6429	1-216-809-11	METAL CHIP	100 5% 1/10W
R5609	1-216-833-11	METAL CHIP	10K 5% 1/10W	R6432	1-216-827-11	METAL CHIP	3.3K 5% 1/10W
R5616	1-216-809-11	METAL CHIP	100 5% 1/10W	R6500	1-216-837-11	METAL CHIP	22K 5% 1/10W
R5617	1-216-864-11	SHORT CHIP	0	R6501	1-216-295-91	SHORT CHIP	0
R5618	1-216-864-11	SHORT CHIP	0	R6503	1-216-841-11	METAL CHIP	47K 5% 1/10W
R5631	1-216-864-11	SHORT CHIP	0	R6504	1-216-864-11	SHORT CHIP	0
R5632	1-216-864-11	SHORT CHIP	0	R6505	1-216-833-11	METAL CHIP	10K 5% 1/10W
R5640	1-216-829-11	METAL CHIP	4.7K 5% 1/10W	R6506	1-216-821-11	METAL CHIP	1K 5% 1/10W
R5641	1-218-990-81	SHORT CHIP	0	R6507	1-216-833-11	METAL CHIP	10K 5% 1/10W
R5642	1-218-990-81	SHORT CHIP	0	R6508	1-216-833-11	METAL CHIP	10K 5% 1/10W
R5643	1-218-965-11	RES-CHIP	10K 5% 1/16W	R6511	1-216-833-11	METAL CHIP	10K 5% 1/10W
R5646	1-218-990-81	SHORT CHIP	0	R6518	1-216-833-11	METAL CHIP	10K 5% 1/10W
R5647	1-218-990-81	SHORT CHIP	0	R6519	1-216-833-11	METAL CHIP	10K 5% 1/10W
R5650	1-218-990-81	SHORT CHIP	0	R6520	1-216-833-11	METAL CHIP	10K 5% 1/10W
R5651	1-218-990-81	SHORT CHIP	0	R6523	1-216-833-11	METAL CHIP	10K 5% 1/10W
R5654	1-218-990-81	SHORT CHIP	0	R6524	1-216-295-91	SHORT CHIP	0
R5655	1-218-990-81	SHORT CHIP	0	R6525	1-216-833-11	METAL CHIP	10K 5% 1/10W
R5658	1-218-990-81	SHORT CHIP	0	R6527	1-216-864-11	SHORT CHIP	0
R5659	1-218-990-81	SHORT CHIP	0	R6528	1-218-885-11	METAL CHIP	39K 0.5% 1/10W
R5660	1-218-990-81	SHORT CHIP	0	R6529	1-218-857-11	METAL CHIP	2.7K 0.5% 1/10W
R5661	1-218-990-81	SHORT CHIP	0	R6531	1-218-865-11	METAL CHIP	5.6K 0.5% 1/10W
R5664	1-218-990-81	SHORT CHIP	0	R6533	1-218-863-11	METAL CHIP	4.7K 0.5% 1/10W



REF.NO.	PART.NO	DESCRIPTION	REMARK	REF.NO.	PART.NO	DESCRIPTION	REMARK
R6534	1-218-895-11	METAL CHIP	100K 0.5% 1/10W	R7100	1-218-965-11	RES-CHIP	10K 5% 1/16W
R6535	1-216-833-11	METAL CHIP	10K 5% 1/10W	R7101	1-218-965-11	RES-CHIP	10K 5% 1/16W
R6536	1-218-891-11	METAL CHIP	68K 0.5% 1/10W	R7104	1-218-941-81	RES-CHIP	100 5% 1/16W
R6539	1-218-868-11	METAL CHIP	7.5K 0.5% 1/10W	R7106	1-218-941-81	RES-CHIP	100 5% 1/16W
R6540	1-218-853-11	METAL CHIP	1.8K 0.5% 1/10W	R7107	1-218-937-11	RES-CHIP	47 5% 1/16W
R6541	1-218-898-11	METAL CHIP	130K 0.5% 1/10W	R7108	1-218-937-11	RES-CHIP	47 5% 1/16W
R6542	1-218-850-11	METAL CHIP	1.3K 0.5% 1/10W	R7109	1-218-937-11	RES-CHIP	47 5% 1/16W
R6544	1-216-864-11	SHORT CHIP	0	R7110	1-218-937-11	RES-CHIP	47 5% 1/16W
R6545	1-218-868-11	METAL CHIP	7.5K 0.5% 1/10W	R7112	1-218-961-11	RES-CHIP	4.7K 5% 1/16W
R6546	1-216-864-11	SHORT CHIP	0	R7113	1-218-961-11	RES-CHIP	4.7K 5% 1/16W
R6550	1-216-864-11	SHORT CHIP	0	R7116	1-218-937-11	RES-CHIP	47 5% 1/16W
R6551	1-216-842-11	METAL CHIP	56K 5% 1/10W	R7117	1-218-937-11	RES-CHIP	47 5% 1/16W
R6552	1-216-844-11	METAL CHIP	82K 5% 1/10W	R7119	1-218-937-11	RES-CHIP	47 5% 1/16W
R6555	1-216-847-11	METAL CHIP	150K 5% 1/10W	R7120	1-218-937-11	RES-CHIP	47 5% 1/16W
R6556	1-216-839-11	METAL CHIP	33K 5% 1/10W	R7121	1-218-937-11	RES-CHIP	47 5% 1/16W
R6560	1-216-295-91	SHORT CHIP	0	R7122	1-218-937-11	RES-CHIP	47 5% 1/16W
R6562	1-216-821-11	METAL CHIP	1K 5% 1/10W	R7123	1-218-945-11	RES-CHIP	220 5% 1/16W
R6563	1-218-871-11	METAL CHIP	10K 0.5% 1/10W	R7124	1-218-937-11	RES-CHIP	47 5% 1/16W
R6565	1-216-833-11	METAL CHIP	10K 5% 1/10W	R7125	1-218-937-11	RES-CHIP	47 5% 1/16W
R6566	1-216-833-11	METAL CHIP	10K 5% 1/10W	R7126	1-218-937-11	RES-CHIP	47 5% 1/16W
R6567	1-216-833-11	METAL CHIP	10K 5% 1/10W	R7127	1-218-965-11	RES-CHIP	10K 5% 1/16W
R6569	1-216-864-11	SHORT CHIP	0	R7131	1-218-937-11	RES-CHIP	47 5% 1/16W
R6570	1-216-833-11	METAL CHIP	10K 5% 1/10W	R7132	1-218-937-11	RES-CHIP	47 5% 1/16W
R6571	1-218-865-11	METAL CHIP	5.6K 0.5% 1/10W	R7133	1-218-937-11	RES-CHIP	47 5% 1/16W
R6572	1-218-841-11	METAL CHIP	560 0.5% 1/10W	R7134	1-218-937-11	RES-CHIP	47 5% 1/16W
R6573	1-216-295-91	SHORT CHIP	0	R7135	1-218-990-81	SHORT CHIP	0
R6581	1-218-953-11	RES-CHIP	1K 5% 1/16W	R7136	1-218-937-11	RES-CHIP	47 5% 1/16W
R6584	1-208-887-11	METAL CHIP	1K 0.5% 1/16W	R7137	1-208-870-81	METAL CHIP	200 0.5% 1/16W
R6585	1-208-870-81	METAL CHIP	200 0.5% 1/16W	R7138	1-208-870-81	METAL CHIP	200 0.5% 1/16W
R6586	1-208-887-11	METAL CHIP	1K 0.5% 1/16W	R7139	1-208-870-81	METAL CHIP	200 0.5% 1/16W
R6587	1-208-863-11	METAL CHIP	100 0.5% 1/16W	R7140	1-218-937-11	RES-CHIP	47 5% 1/16W
R6588	1-208-887-11	METAL CHIP	1K 0.5% 1/16W	R7141	1-208-870-81	METAL CHIP	200 0.5% 1/16W
R6589	1-216-295-91	SHORT CHIP	0	R7142	1-208-870-81	METAL CHIP	200 0.5% 1/16W
R6590	1-216-864-11	SHORT CHIP	0	R7143	1-208-870-81	METAL CHIP	200 0.5% 1/16W
R6591	1-216-833-11	METAL CHIP	10K 5% 1/10W	R7144	1-208-875-11	METAL CHIP	330 0.5% 1/16W
R6592	1-216-833-11	METAL CHIP	10K 5% 1/10W	R7145	1-208-883-81	METAL CHIP	680 0.5% 1/16W
R6593	1-216-864-11	SHORT CHIP	0	R7147	1-218-990-81	SHORT CHIP	0
R6594	1-216-833-11	METAL CHIP	10K 5% 1/10W	R7148	1-208-879-81	METAL CHIP	470 0.5% 1/16W
R6596	1-218-860-11	METAL CHIP	3.6K 0.5% 1/10W	R7155	1-218-937-11	RES-CHIP	47 5% 1/16W
R6597	1-218-853-11	METAL CHIP	1.8K 0.5% 1/10W	R7156	1-218-937-11	RES-CHIP	47 5% 1/16W
R6598	1-216-864-11	SHORT CHIP	0	R7200	1-218-949-11	RES-CHIP	470 5% 1/16W
R6599	1-216-829-11	METAL CHIP	4.7K 5% 1/10W	R7202	1-218-953-11	RES-CHIP	1K 5% 1/16W
R6600	1-216-833-11	METAL CHIP	10K 5% 1/10W	R7203	1-218-965-11	RES-CHIP	10K 5% 1/16W
R6601	1-216-864-11	SHORT CHIP	0	R7204	1-218-953-11	RES-CHIP	1K 5% 1/16W
R6602	1-216-833-11	METAL CHIP	10K 5% 1/10W	R7206	1-218-949-11	RES-CHIP	470 5% 1/16W
R6603	1-216-864-11	SHORT CHIP	0	R7207	1-218-949-11	RES-CHIP	470 5% 1/16W
R6606	1-216-829-11	METAL CHIP	4.7K 5% 1/10W	R7208	1-218-961-11	RES-CHIP	4.7K 5% 1/16W
R6610	1-216-864-11	SHORT CHIP	0	R7209	1-218-965-11	RES-CHIP	10K 5% 1/16W
R6615	1-216-864-11	SHORT CHIP	0	R7213	1-218-965-11	RES-CHIP	10K 5% 1/16W
R6616	1-216-864-11	SHORT CHIP	0	R7217	1-218-939-11	RES-CHIP	68 5% 1/16W



REF.NO.	PART.NO	DESCRIPTION	REMARK	REF.NO.	PART.NO	DESCRIPTION	REMARK
R7218	1-208-863-11	METAL CHIP	100 0.5% 1/16W	R7332	1-218-953-11	RES-CHIP	1K 5% 1/16W
R7219	1-208-863-11	METAL CHIP	100 0.5% 1/16W	R7333	1-218-937-11	RES-CHIP	47 5% 1/16W
R7221	1-218-965-11	RES-CHIP	10K 5% 1/16W	R7334	1-218-937-11	RES-CHIP	47 5% 1/16W
R7223	1-218-965-11	RES-CHIP	10K 5% 1/16W	R7335	1-218-937-11	RES-CHIP	47 5% 1/16W
R7224	1-218-965-11	RES-CHIP	10K 5% 1/16W	R7402	1-218-965-11	RES-CHIP	10K 5% 1/16W
R7226	1-218-965-11	RES-CHIP	10K 5% 1/16W	R7406	1-218-941-81	RES-CHIP	100 5% 1/16W
R7227	1-218-953-11	RES-CHIP	1K 5% 1/16W	R7409	1-218-965-11	RES-CHIP	10K 5% 1/16W
R7228	1-218-939-11	RES-CHIP	68 5% 1/16W	R7413	1-218-977-11	RES-CHIP	100K 5% 1/16W
R7229	1-218-941-81	RES-CHIP	100 5% 1/16W	R7414	1-218-977-11	RES-CHIP	100K 5% 1/16W
R7230	1-218-941-81	RES-CHIP	100 5% 1/16W	R7415	1-218-945-11	RES-CHIP	220 5% 1/16W
R7231	1-218-941-81	RES-CHIP	100 5% 1/16W	R7416	1-218-945-11	RES-CHIP	220 5% 1/16W
R7232	1-218-941-81	RES-CHIP	100 5% 1/16W	R7417	1-208-887-11	METAL CHIP	1K 0.5% 1/16W
R7233	1-218-937-11	RES-CHIP	47 5% 1/16W	R7418	1-208-887-11	METAL CHIP	1K 0.5% 1/16W
R7234	1-218-945-11	RES-CHIP	220 5% 1/16W	R7419	1-218-972-11	RES-CHIP	39K 5% 1/16W
R7235	1-216-809-11	METAL CHIP	100 5% 1/10W	R7420	1-218-972-11	RES-CHIP	39K 5% 1/16W
R7236	1-216-809-11	METAL CHIP	100 5% 1/10W	R7421	1-218-968-11	RES-CHIP	18K 5% 1/16W
R7237	1-216-809-11	METAL CHIP	100 5% 1/10W	R7422	1-218-965-11	RES-CHIP	10K 5% 1/16W
R7238	1-218-953-11	RES-CHIP	1K 5% 1/16W	R7423	1-218-965-11	RES-CHIP	10K 5% 1/16W
R7243	1-216-833-11	METAL CHIP	10K 5% 1/10W	R7424	1-218-968-11	RES-CHIP	18K 5% 1/16W
R7244	1-216-833-11	METAL CHIP	10K 5% 1/10W	R7425	1-218-967-11	RES-CHIP	15K 5% 1/16W
R7246	1-216-833-11	METAL CHIP	10K 5% 1/10W	R7426	1-218-967-11	RES-CHIP	15K 5% 1/16W
R7249	1-216-813-11	METAL CHIP	220 5% 1/10W	R7427	1-218-968-11	RES-CHIP	18K 5% 1/16W
R7300	1-218-965-11	RES-CHIP	10K 5% 1/16W	R7428	1-218-968-11	RES-CHIP	18K 5% 1/16W
R7304	1-218-965-11	RES-CHIP	10K 5% 1/16W	R7429	1-218-941-81	RES-CHIP	100 5% 1/16W
R7305	1-218-965-11	RES-CHIP	10K 5% 1/16W	R7430	1-218-941-81	RES-CHIP	100 5% 1/16W
R7306	1-218-965-11	RES-CHIP	10K 5% 1/16W	R7431	1-218-990-81	SHORT CHIP	0
R7307	1-218-941-81	RES-CHIP	100 5% 1/16W	R7433	1-218-990-81	SHORT CHIP	0
R7308	1-218-945-11	RES-CHIP	220 5% 1/16W	R7500	1-218-941-81	RES-CHIP	100 5% 1/16W
R7310	1-218-941-81	RES-CHIP	100 5% 1/16W	R7501	1-218-941-81	RES-CHIP	100 5% 1/16W
R7311	1-218-965-11	RES-CHIP	10K 5% 1/16W	R7502	1-218-941-81	RES-CHIP	100 5% 1/16W
R7312	1-218-937-11	RES-CHIP	47 5% 1/16W	R7503	1-218-941-81	RES-CHIP	100 5% 1/16W
R7313	1-218-937-11	RES-CHIP	47 5% 1/16W	R7504	1-218-948-11	RES-CHIP	390 5% 1/16W
R7314	1-218-937-11	RES-CHIP	47 5% 1/16W	R7505	1-218-948-11	RES-CHIP	390 5% 1/16W
R7315	1-218-937-11	RES-CHIP	47 5% 1/16W	R7506	1-218-948-11	RES-CHIP	390 5% 1/16W
R7316	1-218-937-11	RES-CHIP	47 5% 1/16W	R7507	1-218-948-11	RES-CHIP	390 5% 1/16W
R7317	1-218-937-11	RES-CHIP	47 5% 1/16W	R7510	1-218-965-11	RES-CHIP	10K 5% 1/16W
R7318	1-218-937-11	RES-CHIP	47 5% 1/16W	R7511	1-218-965-11	RES-CHIP	10K 5% 1/16W
R7319	1-218-937-11	RES-CHIP	47 5% 1/16W	R7512	1-218-961-11	RES-CHIP	4.7K 5% 1/16W
R7320	1-218-941-81	RES-CHIP	100 5% 1/16W	R7513	1-218-965-11	RES-CHIP	10K 5% 1/16W
R7321	1-218-941-81	RES-CHIP	100 5% 1/16W	R7515	1-218-965-11	RES-CHIP	10K 5% 1/16W
R7322	1-218-941-81	RES-CHIP	100 5% 1/16W	< RESISTOR CHIP >			
R7323	1-218-965-11	RES-CHIP	10K 5% 1/16W	RB1000	1-234-371-21	RES, NETWORK 47	(1005X4)
R7324	1-218-965-11	RES-CHIP	10K 5% 1/16W	RB1001	1-234-371-21	RES, NETWORK 47	(1005X4)
R7325	1-218-965-11	RES-CHIP	10K 5% 1/16W	RB3000	1-234-381-21	RES, NETWORK 100K	(1005X4)
R7326	1-218-965-11	RES-CHIP	10K 5% 1/16W	RB4000	1-234-371-21	RES, NETWORK 47	(1005X4)
R7327	1-218-965-11	RES-CHIP	10K 5% 1/16W	RB4001	1-234-371-21	RES, NETWORK 47	(1005X4)
R7328	1-218-965-11	RES-CHIP	10K 5% 1/16W	RB4002	1-234-371-21	RES, NETWORK 47	(1005X4)
R7329	1-218-965-11	RES-CHIP	10K 5% 1/16W	RB4003	1-234-371-21	RES, NETWORK 47	(1005X4)
R7330	1-218-965-11	RES-CHIP	10K 5% 1/16W	RB4004	1-234-371-21	RES, NETWORK 47	(1005X4)
R7331	1-218-953-11	RES-CHIP	1K 5% 1/16W				

Note : The components identified by shading and marked Δ are critical for safety. Replace only with the part numbers specified in the parts list.



REF.NO.	PART.NO	DESCRIPTION	REMARK	REF.NO.	PART.NO	DESCRIPTION	REMARK
RB4005	1-234-371-21	RES, NETWORK 47	(1005X4)	RB7212	1-234-702-11	RES, NETWORK 68	(1005X4)
RB4006	1-234-371-21	RES, NETWORK 47	(1005X4)	RB7213	1-234-702-11	RES, NETWORK 68	(1005X4)
RB5000	1-233-576-11	RES, CHIP NETWORK 100	(3216)	RB7501	1-234-372-11	RES, NETWORK 100	(1005X4)
RB5001	1-233-576-11	RES, CHIP NETWORK 100	(3216)	RB7502	1-234-378-21	RES, NETWORK 10K	(1005X4)
RB5002	1-233-576-11	RES, CHIP NETWORK 100	(3216)	RB7503	1-234-378-21	RES, NETWORK 10K	(1005X4)
RB5003	1-233-576-11	RES, CHIP NETWORK 100	(3216)	< SWITCH >			
RB5004	1-233-576-11	RES, CHIP NETWORK 100	(3216)	S4000	1-572-921-11	SWITCH, KEY BOARD	
RB5005	1-233-576-11	RES, CHIP NETWORK 100	(3216)	S4001	1-572-921-11	SWITCH, KEY BOARD	
RB5006	1-233-576-11	RES, CHIP NETWORK 100	(3216)	< TUNER >			
RB5007	1-233-576-11	RES, CHIP NETWORK 100	(3216)	TU1000	8-597-613-00	TUNER UNIT, DIGITAL BTD-HF401Z	
RB5008	1-233-576-11	RES, CHIP NETWORK 100	(3216)	< VARISTOR >			
RB5009	1-233-574-11	RES, CHIP NETWORK 10	(3216)	VD4200	1-803-974-21	VARISTOR, CHIP	(1608)
RB5010	1-233-574-11	RES, CHIP NETWORK 10	(3216)	VD4201	1-803-974-21	VARISTOR, CHIP	(1608)
RB5011	1-233-574-11	RES, CHIP NETWORK 10	(3216)	VD4202	1-803-974-21	VARISTOR, CHIP	(1608)
RB5012	1-233-574-11	RES, CHIP NETWORK 10	(3216)	VD4203	1-803-974-21	VARISTOR, CHIP	(1608)
RB5013	1-233-574-11	RES, CHIP NETWORK 10	(3216)	VD4204	1-803-974-21	VARISTOR, CHIP	(1608)
RB5014	1-233-574-11	RES, CHIP NETWORK 10	(3216)	< CRYSTAL >			
RB5015	1-233-574-11	RES, CHIP NETWORK 10	(3216)	X4000	1-813-531-11	OSCILLATOR, CRYSTAL UNIT	
RB5016	1-233-574-11	RES, CHIP NETWORK 10	(3216)	X5500	1-813-806-21	OSCILLATOR, CRYSTAL	
RB5017	1-233-574-11	RES, CHIP NETWORK 10	(3216)	X7200	1-813-055-11	QUARTZ CRYSTAL UNIT	
RB5500	1-234-106-81	RES, NETWORK	0	X7201	1-781-696-31	VIBRATOR, CRYSTAL	
RB5509	1-233-796-11	RES, NETWORK	(1608)	X7201	1-813-784-21	VIBRATOR, CRYSTAL	
RB5510	1-233-796-11	RES, NETWORK	(1608)	*A-1268-617-A G3 Board, Complete (KDL-40D2600 only)			
RB5511	1-233-796-11	RES, NETWORK	(1608)	4-382-854-11	SCREW (M3X10), P, SW (+)		
RB5512	1-233-796-11	RES, NETWORK	(1608)	< CAPACITOR >			
RB5519	1-233-423-21	RES, CHIP NETWORK 47	(3216)	C6000 Δ	1-119-893-51	CERAMIC 1000PF	20.00% 250V
RB5523	1-233-423-21	RES, CHIP NETWORK 47	(3216)	C6002	1-165-530-11	MYLAR 0.47UF	10 275V
RB5524	1-233-423-21	RES, CHIP NETWORK 47	(3216)	C6005 Δ	1-119-893-51	CERAMIC 1000PF	20.00% 250V
RB5526	1-233-423-21	RES, CHIP NETWORK 47	(3216)	C6006 Δ	1-114-153-11	CERAMIC 680PF	10% 125V
RB5527	1-233-423-21	RES, CHIP NETWORK 47	(3216)	C6007 Δ	1-119-892-51	CERAMIC 470PF	10.00% 250V
RB5529	1-233-423-21	RES, CHIP NETWORK 47	(3216)	C6010 Δ	1-114-153-11	CERAMIC 680PF	10% 125V
RB5530	1-233-423-21	RES, CHIP NETWORK 47	(3216)	C6011 Δ	1-119-892-51	CERAMIC 470PF	10.00% 250V
RB6500	1-233-796-11	RES, NETWORK	(1608)	C6012 Δ	1-165-529-11	MYLAR 0.22UF	10 275V
RB6501	1-233-796-11	RES, NETWORK	(1608)	C6014 Δ	1-161-964-91	CERAMIC 0.0047UF	250V
RB6502	1-233-796-11	RES, NETWORK	(1608)	C6015 Δ	1-161-964-91	CERAMIC 0.0047UF	250V
RB6503	1-233-796-11	RES, NETWORK	(1608)	C6016	1-114-379-21	ELECT(BLOCK) 150UF	20% 450V
RB7101	1-234-372-11	RES, NETWORK 100	(1005X4)	C6017	1-114-379-21	ELECT(BLOCK) 150UF	20% 450V
RB7102	1-234-378-21	RES, NETWORK 10K	(1005X4)	C6018	1-119-894-51	CERAMIC 2200PF	20.00% 250V
RB7200	1-234-375-21	RES, NETWORK 1K	(1005X4)	C6019	1-163-021-91	CERAMIC CHIP 0.01UF	10.00% 50V
RB7201	1-234-375-21	RES, NETWORK 1K	(1005X4)	C6020	1-163-021-91	CERAMIC CHIP 0.01UF	10.00% 50V
RB7202	1-234-375-21	RES, NETWORK 1K	(1005X4)	C6100	1-162-970-11	CERAMIC CHIP 0.01UF	10.00% 25V
RB7203	1-234-375-21	RES, NETWORK 1K	(1005X4)	C6101	1-100-831-91	CERAMIC CHIP 0.001UF	2% 50V
RB7204	1-234-375-21	RES, NETWORK 1K	(1005X4)	C6102	1-107-906-11	ELECT 10UF	20% 50V
RB7205	1-234-702-11	RES, NETWORK 68	(1005X4)	C6103	1-107-905-11	ELECT 4.7UF	20% 50V
RB7206	1-234-702-11	RES, NETWORK 68	(1005X4)				
RB7207	1-234-372-11	RES, NETWORK 100	(1005X4)				
RB7208	1-234-372-11	RES, NETWORK 100	(1005X4)				
RB7209	1-234-372-11	RES, NETWORK 100	(1005X4)				
RB7210	1-234-372-11	RES, NETWORK 100	(1005X4)				
RB7211	1-234-372-11	RES, NETWORK 100	(1005X4)				

Note : The components identified by shading and marked Δ are critical for safety. Replace only with the part numbers specified in the parts list.

G3

REF.NO.	PART.NO	DESCRIPTION	REMARK	REF.NO.	PART.NO	DESCRIPTION	REMARK
C6104	1-107-893-91	ELECT 100UF	20% 35V	C6515	1-112-481-11	CERAMIC 470PF	10% 1KV
C6106	1-162-970-11	CERAMIC CHIP 0.01UF	10.00% 25V	C6516	1-112-481-11	CERAMIC 470PF	10% 1KV
C6107	1-107-888-11	ELECT 47UF	20% 25V	C6517	1-100-566-91	CERAMIC CHIP 0.1UF	10.00% 25V
C6108	1-115-340-11	CERAMIC CHIP 0.22UF	10.00% 25V	C6518	1-107-908-11	ELECT 33UF	20% 50V
C6110	1-112-481-11	CERAMIC 470PF	10% 1KV	C6519	1-107-906-11	ELECT 10UF	20% 50V
C6111	1-100-310-11	FILM 18000PF	3% 800V	C6521	1-107-906-11	ELECT 10UF	20% 50V
C6112	1-163-021-91	CERAMIC CHIP 0.01UF	10.00% 50V	< CONNECTOR >			
C6150	1-104-760-11	CERAMIC CHIP 0.047UF	10.00% 50V	CN6000	Δ *1-793-660-11	PIN, CONNECTOR (PC BOARD) 3P	
C6152	1-112-231-21	ELECT 2200UF	20% 16V	CN6001	*1-695-915-11	TAB (CONTACT)	
C6154	1-112-835-11	ELECT 3300UF	20% 25V	CN6002	*1-695-915-11	TAB (CONTACT)	
C6157	1-112-231-21	ELECT 2200UF	20% 16V	CN6003	*1-695-915-11	TAB (CONTACT)	
C6160	1-162-970-11	CERAMIC CHIP 0.01UF	10.00% 25V	CN6202	*1-785-708-11	PIN, CONNECTOR (PC BOARD) 12P	
C6170	1-112-231-21	ELECT 2200UF	20% 16V	CN6203	*1-785-707-11	PIN, CONNECTOR (PC BOARD) 11P	
C6200	1-107-826-11	CERAMIC CHIP 0.1UF	10.00% 16V	CN6204	*1-778-853-11	PIN, CONNECTOR (PC BOARD) 8P	
C6201	1-162-927-11	CERAMIC CHIP 100PF	5.00% 50V	CN6501	*1-793-660-11	PIN, CONNECTOR (PC BOARD) 3P	
C6202	1-107-903-11	ELECT 2.2UF	20% 50V	CN6502	*1-793-660-11	PIN, CONNECTOR (PC BOARD) 3P	
C6203	1-100-139-41	FILM 0.001UF	5% 630V	< DIODE >			
C6204	1-107-904-11	ELECT 3.3UF	20% 50V	D6000	8-719-054-89	DIODE D15XB60	
C6205	1-107-910-11	ELECT 100UF	20% 50V	D6100	8-719-081-67	DIODE M1FM3	
C6206	1-162-964-11	CERAMIC CHIP 0.001UF	10.00% 50V	D6101	6-500-137-01	DIODE BAT54HT1	
C6250	1-128-949-31	ELECT 470UF	20% 16V	D6102	8-719-017-89	DIODE MA8150-TX	
C6251	1-107-826-11	CERAMIC CHIP 0.1UF	10.00% 16V	D6104	8-719-979-64	DIODE UF4005/23	
C6300	1-165-908-11	CERAMIC CHIP 1UF	10% 10V	D6105	8-719-081-67	DIODE M1FM3	
C6301	1-107-826-11	CERAMIC CHIP 0.1UF	10.00% 16V	D6151	8-719-060-88	DIODE D4SBS6	
C6302	1-162-964-11	CERAMIC CHIP 0.001UF	10.00% 50V	D6152	6-501-545-01	DIODE SG10SC6-F5	
C6304	1-100-566-91	CERAMIC CHIP 0.1UF	10.00% 25V	D6153	6-501-545-01	DIODE SG10SC6-F5	
C6305	1-162-964-11	CERAMIC CHIP 0.001UF	10.00% 50V	D6201	8-719-058-74	DIODE 05NU42-TPA2	
C6306	1-125-891-11	CERAMIC CHIP 0.47UF	10.00% 10V	D6203	6-500-567-31	DIODE 10ERB20-TB3	
C6307	1-162-964-11	CERAMIC CHIP 0.001UF	10.00% 50V	D6204	6-500-567-31	DIODE 10ERB20-TB3	
C6308	1-100-566-91	CERAMIC CHIP 0.1UF	10.00% 25V	D6206	8-719-404-50	DIODE MA111-TX	
C6309	1-107-910-11	ELECT 100UF	20% 50V	D6250	8-719-032-10	DIODE D1NS4-TR2	
C6310	1-162-964-11	CERAMIC CHIP 0.001UF	10.00% 50V	D6251	8-719-073-35	DIODE RB551V-30TE-17	
C6311	1-131-872-91	CERAMIC CHIP 1000PF	10% 630V	D6303	8-719-404-50	DIODE MA111-TX	
C6402	1-162-970-11	CERAMIC CHIP 0.01UF	10.00% 25V	D6304	8-719-404-50	DIODE MA111-TX	
C6403	1-162-970-11	CERAMIC CHIP 0.01UF	10.00% 25V	D6308	8-719-404-50	DIODE MA111-TX	
C6408	1-165-908-11	CERAMIC CHIP 1UF	10% 10V	D6309	8-719-404-50	DIODE MA111-TX	
C6410	1-107-826-11	CERAMIC CHIP 0.1UF	10.00% 16V	D6310	8-719-404-50	DIODE MA111-TX	
C6411	1-125-891-11	CERAMIC CHIP 0.47UF	10.00% 10V	D6311	8-719-018-01	DIODE MA8220-TX	
C6500	1-112-744-61	MYLAR 1UF	10% 450V	D6312	8-719-058-74	DIODE 05NU42-TPA2	
C6501	1-112-188-11	MYLAR 1.5UF	5% 450V	D6313	8-719-404-50	DIODE MA111-TX	
C6503	1-112-188-11	MYLAR 1.5UF	5% 450V	D6400	8-719-017-89	DIODE MA8150-TX	
C6505	1-162-964-11	CERAMIC CHIP 0.001UF	10.00% 50V	D6401	8-719-404-50	DIODE MA111-TX	
C6506	1-162-964-11	CERAMIC CHIP 0.001UF	10.00% 50V	D6402	8-719-404-50	DIODE MA111-TX	
C6507	1-162-966-11	CERAMIC CHIP 0.0022UF	10.00% 50V	D6404	8-719-404-50	DIODE MA111-TX	
C6508	1-100-566-91	CERAMIC CHIP 0.1UF	10.00% 25V	D6500	6-500-108-01	DIODE EP05FA20	
C6510	1-107-902-11	ELECT 1UF	20% 50V	D6501	6-500-108-01	DIODE EP05FA20	
C6511	1-164-315-11	CERAMIC CHIP 470PF	5.00% 50V	D6502	6-500-137-01	DIODE BAT54HT1	
C6512	1-164-390-91	CERAMIC CHIP 330PF	5.00% 50V				
C6513	1-112-481-11	CERAMIC 470PF	10% 1KV				
C6514	1-112-481-11	CERAMIC 470PF	10% 1KV				

Note : The components identified by shading and marked Δ are critical for safety. Replace only with the part numbers specified in the parts list.

G3

REF.NO.	PART.NO	DESCRIPTION	REMARK	REF.NO.	PART.NO	DESCRIPTION	REMARK
D6503	8-719-404-50	DIODE MA111-TX		PH6300	6-600-187-01	PHOTO COUPLER PC123Y22J00F	
D6506	8-719-029-04	DIODE D5L60		PH6301	6-600-187-01	PHOTO COUPLER PC123Y22J00F	
D6511	8-719-404-50	DIODE MA111-TX		PH6302	6-600-187-01	PHOTO COUPLER PC123Y22J00F	
D6512	8-719-404-50	DIODE MA111-TX		< TRANSISTOR >			
D6513	6-500-137-01	DIODE BAT54HT1		Q6100	6-551-302-01	TRANSISTOR 2SK3561(LBS1SONY,Q)	
ET6000	1-537-770-21	TERMINAL BOARD, GROUND		Q6101	6-551-302-01	TRANSISTOR 2SK3561(LBS1SONY,Q)	
ET6001	1-537-770-21	TERMINAL BOARD, GROUND		Q6300	8-729-620-33	TRANSISTOR 2SA1235TP-1EF	
ET6002	1-537-770-21	TERMINAL BOARD, GROUND		Q6301	8-729-620-07	TRANSISTOR 2SC3052EF-T1-LEF	
ET6003	1-537-770-21	TERMINAL BOARD, GROUND		Q6303	6-551-678-01	TRANSISTOR 2SA1364-T111-1DE	
< FUSE >				Q6304	8-729-620-07	TRANSISTOR 2SC3052EF-T1-LEF	
F6000	Δ 1-576-233-51	FUSE	6.3A 250V	Q6305	8-729-620-07	TRANSISTOR 2SC3052EF-T1-LEF	
FH6000	Δ 1-533-223-11	FUSE HOLDER		Q6306	8-729-620-07	TRANSISTOR 2SC3052EF-T1-LEF	
FH6001	Δ 1-533-223-11	FUSE HOLDER		Q6307	8-729-620-33	TRANSISTOR 2SA1235TP-1EF	
< FERRITE BEAD >				Q6403	6-551-714-01	TRANSISTOR INK0001AC1-T112A-1	
FB6000	1-412-911-11	FERRITE	0UH	Q6405	8-729-620-33	TRANSISTOR 2SA1235TP-1EF	
FB6001	1-412-911-11	FERRITE	0UH	Q6406	8-729-620-07	TRANSISTOR 2SC3052EF-T1-LEF	
FB6004	1-410-396-41	FERRITE	0.45UH	Q6407	6-551-714-01	TRANSISTOR INK0001AC1-T112A-1	
FB6005	1-410-396-41	FERRITE	0.45UH	Q6500	8-729-620-07	TRANSISTOR 2SC3052EF-T1-LEF	
FB6100	1-412-911-11	FERRITE	0UH	Q6501	8-729-620-33	TRANSISTOR 2SA1235TP-1EF	
FB6101	1-412-911-11	FERRITE	0UH	Q6502	6-551-336-01	TRANSISTOR 2SK3934(LBS1SONY.Q)	
FB6150	1-412-911-11	FERRITE	0UH	Q6503	6-551-336-01	TRANSISTOR 2SK3934(LBS1SONY.Q)	
FB6151	1-412-911-11	FERRITE	0UH	Q6504	8-729-820-90	TRANSISTOR 2SD1621ST-TD-E	
FB6152	1-412-911-11	FERRITE	0UH	Q6505	8-729-822-09	TRANSISTOR 2SB1122-ST-TD-E	
FB6153	1-412-911-11	FERRITE	0UH	Q6506	8-729-620-33	TRANSISTOR 2SA1235TP-1EF	
< IC >				< RESISTOR >			
IC6100	6-707-749-01	IC CXD9841P		JR6001	1-216-864-11	SHORT CHIP	0
IC6150	6-709-368-01	IC MM1431ATT (CN)		JR6002	1-216-295-91	SHORT CHIP	0
IC6200	6-708-801-01	IC MIP2H2		JR6003	1-216-296-11	SHORT CHIP	0
IC6250	6-709-442-01	IC MM1530ATT		JR6004	1-216-295-91	SHORT CHIP	0
IC6300	6-709-368-01	IC MM1431ATT (CN)		JR6005	1-216-295-91	SHORT CHIP	0
IC6301	6-709-368-01	IC MM1431ATT (CN)		JR6006	1-216-864-11	SHORT CHIP	0
IC6500	6-709-791-01	IC L6562N		JR6007	1-216-296-11	SHORT CHIP	0
< COIL >				JR6008	1-216-296-11	SHORT CHIP	0
L6000	Δ 1-457-457-11	LINE FILTER COIL		JR6009	1-216-296-11	SHORT CHIP	0
L6002	Δ 1-457-457-11	LINE FILTER COIL		JR6010	1-216-296-11	SHORT CHIP	0
L6150	1-414-487-41	INDUCTOR	1UH	JR6011	1-216-295-91	SHORT CHIP	0
L6151	1-414-487-41	INDUCTOR	1UH	JR6012	1-216-295-91	SHORT CHIP	0
L6152	1-457-239-11	INDUCTOR	4.7UH	JR6013	1-216-295-91	SHORT CHIP	0
L6250	1-414-183-41	INDUCTOR	10UH	JR6014	1-216-295-91	SHORT CHIP	0
L6500	1-457-277-11	INDUCTOR	260UH	JR6015	1-216-864-11	SHORT CHIP	0
L6501	1-457-435-11	INDUCTOR	300UH	JR6016	1-216-296-11	SHORT CHIP	0
L6501	1-457-445-11	INDUCTOR	290UH	JR6017	1-216-295-91	SHORT CHIP	0
< PHOTO COUPLER >				R6009	1-240-251-11	METAL	6.8 5% 10W
PH6100	6-600-187-01	PHOTO COUPLER PC123Y22J00F		R6014	1-216-857-11	METAL CHIP	1M 5% 1/10W
PH6200	6-600-187-01	PHOTO COUPLER PC123Y22J00F		R6015	1-216-857-11	METAL CHIP	1M 5% 1/10W
				R6100	1-218-885-11	METAL CHIP	39K 0.5% 1/10W
				R6101	1-249-385-11	CARBON	2.2 5% 1/4W

Note : The components identified by shading and marked Δ are critical for safety. Replace only with the part numbers specified in the parts list.

G3

REF.NO.	PART.NO	DESCRIPTION	REMARK	REF.NO.	PART.NO	DESCRIPTION	REMARK
R6102	1-218-863-11	METAL CHIP	4.7K 0.5% 1/10W	R6316	1-216-833-11	METAL CHIP	10K 5% 1/10W
R6103	1-218-827-11	METAL CHIP	150 0.5% 1/10W	R6317	1-216-829-11	METAL CHIP	4.7K 5% 1/10W
R6104	1-218-877-11	METAL CHIP	18K 0.5% 1/10W	R6319	1-216-821-11	METAL CHIP	1K 5% 1/10W
R6106	1-208-854-11	METAL CHIP	1M 0.5% 1/10W	R6320	1-218-903-11	METAL CHIP	220K 0.5% 1/10W
R6107	1-208-854-11	METAL CHIP	1M 0.5% 1/10W	R6321	1-218-887-11	METAL CHIP	47K 0.5% 1/10W
R6108	1-208-854-11	METAL CHIP	1M 0.5% 1/10W	R6322	1-216-837-11	METAL CHIP	22K 5% 1/10W
R6109	1-208-854-11	METAL CHIP	1M 0.5% 1/10W	R6324	1-216-833-11	METAL CHIP	10K 5% 1/10W
R6110 Δ	1-220-778-81	FUSIBLE	0.1 10% 1/2W	R6325	1-218-889-11	METAL CHIP	56K 0.5% 1/10W
R6111	1-208-838-91	METAL CHIP	220K 0.5% 1/10W	R6326	1-216-849-11	METAL CHIP	220K 5% 1/10W
R6112	1-218-877-11	METAL CHIP	18K 0.5% 1/10W	R6327	1-216-833-11	METAL CHIP	10K 5% 1/10W
R6115	1-211-981-11	METAL CHIP	33 0.5% 1/10W	R6328	1-218-911-11	METAL CHIP	470K 0.5% 1/10W
R6116	1-216-009-91	RES-CHIP	22 5% 1/10W	R6329	1-218-887-11	METAL CHIP	47K 0.5% 1/10W
R6117	1-216-009-91	RES-CHIP	22 5% 1/10W	R6332	1-216-793-11	METAL CHIP	4.7 5% 1/10W
R6118	1-216-833-11	METAL CHIP	10K 5% 1/10W	R6333	1-216-843-11	METAL CHIP	68K 5% 1/10W
R6119	1-216-833-11	METAL CHIP	10K 5% 1/10W	R6334	1-208-814-91	METAL CHIP	22K 0.5% 1/10W
R6120	1-243-945-71	METAL OXIDE	0.22 5% 2W	R6335	1-218-847-11	METAL CHIP	1K 0.5% 1/10W
R6121	1-243-945-71	METAL OXIDE	0.22 5% 2W	R6336	1-216-864-11	SHORT CHIP	0
R6122	1-216-857-11	METAL CHIP	1M 5% 1/10W	R6337	1-208-814-91	METAL CHIP	22K 0.5% 1/10W
R6123	1-218-847-11	METAL CHIP	1K 0.5% 1/10W	R6404	1-216-837-11	METAL CHIP	22K 5% 1/10W
R6150	1-216-821-11	METAL CHIP	1K 5% 1/10W	R6405	1-216-809-11	METAL CHIP	100 5% 1/10W
R6151	1-216-821-11	METAL CHIP	1K 5% 1/10W	R6408	1-216-833-11	METAL CHIP	10K 5% 1/10W
R6152	1-216-821-11	METAL CHIP	1K 5% 1/10W	R6413	1-216-833-11	METAL CHIP	10K 5% 1/10W
R6153	1-218-859-11	METAL CHIP	3.3K 0.5% 1/10W	R6415	1-216-837-11	METAL CHIP	22K 5% 1/10W
R6154	1-218-875-11	METAL CHIP	15K 0.5% 1/10W	R6416	1-216-833-11	METAL CHIP	10K 5% 1/10W
R6155	1-216-845-11	METAL CHIP	100K 5% 1/10W	R6418	1-216-864-11	SHORT CHIP	0
R6157	1-216-841-11	METAL CHIP	47K 5% 1/10W	R6420	1-216-817-11	METAL CHIP	470 5% 1/10W
R6158	1-249-389-11	CARBON	4.7 5% 1/4W	R6429	1-216-833-11	METAL CHIP	10K 5% 1/10W
R6159	1-218-863-11	METAL CHIP	4.7K 0.5% 1/10W	R6430	1-216-833-11	METAL CHIP	10K 5% 1/10W
R6200 Δ	1-212-958-00	FUSIBLE	10 5% 1/2W	R6433	1-216-821-11	METAL CHIP	1K 5% 1/10W
R6201	1-218-865-11	METAL CHIP	5.6K 0.5% 1/10W	R6434	1-216-821-11	METAL CHIP	1K 5% 1/10W
R6202	1-243-725-71	METAL OXIDE	100K 5% 1W	R6435	1-216-864-11	SHORT CHIP	0
R6203	1-249-385-11	CARBON	2.2 5% 1/4W	R6436	1-216-837-11	METAL CHIP	22K 5% 1/10W
R6250	1-216-821-11	METAL CHIP	1K 5% 1/10W	R6437	1-216-821-11	METAL CHIP	1K 5% 1/10W
R6251	1-216-827-11	METAL CHIP	3.3K 5% 1/10W	R6438	1-216-829-11	METAL CHIP	4.7K 5% 1/10W
R6252	1-216-805-11	METAL CHIP	47 5% 1/10W	R6500 Δ	1-208-838-91	METAL CHIP	220K 0.5% 1/10W
R6253	1-218-879-11	METAL CHIP	22K 0.5% 1/10W	R6501 Δ	1-208-838-91	METAL CHIP	220K 0.5% 1/10W
R6254	1-218-871-11	METAL CHIP	10K 0.5% 1/10W	R6502 Δ	1-208-830-11	METAL CHIP	100K 0.5% 1/10W
R6255	1-218-867-11	METAL CHIP	6.8K 0.5% 1/10W	R6503	1-208-846-11	METAL CHIP	470K 0.5% 1/10W
R6300	1-216-835-11	METAL CHIP	15K 5% 1/10W	R6504 Δ	1-208-838-91	METAL CHIP	220K 0.5% 1/10W
R6301	1-216-833-11	METAL CHIP	10K 5% 1/10W	R6505 Δ	1-208-838-91	METAL CHIP	220K 0.5% 1/10W
R6302	1-218-903-11	METAL CHIP	220K 0.5% 1/10W	R6506	1-218-913-91	METAL CHIP	560K 0.5% 1/10W
R6303	1-218-885-11	METAL CHIP	39K 0.5% 1/10W	R6507	1-218-865-11	METAL CHIP	5.6K 0.5% 1/10W
R6304	1-218-863-11	METAL CHIP	4.7K 0.5% 1/10W	R6508	1-218-881-11	METAL CHIP	27K 0.5% 1/10W
R6305	1-216-833-11	METAL CHIP	10K 5% 1/10W	R6510	1-218-887-11	METAL CHIP	47K 0.5% 1/10W
R6309	1-216-833-11	METAL CHIP	10K 5% 1/10W	R6511	1-216-817-11	METAL CHIP	470 5% 1/10W
R6310	1-216-833-11	METAL CHIP	10K 5% 1/10W	R6512	1-243-556-71	METAL OXIDE	22 5% 2W
R6311	1-218-863-11	METAL CHIP	4.7K 0.5% 1/10W	R6514	1-218-895-11	METAL CHIP	100K 0.5% 1/10W
R6312	1-218-887-11	METAL CHIP	47K 0.5% 1/10W	R6515	1-216-817-11	METAL CHIP	470 5% 1/10W
R6313	1-216-864-11	SHORT CHIP	0	R6516	1-218-871-11	METAL CHIP	10K 0.5% 1/10W
R6315	1-216-829-11	METAL CHIP	4.7K 5% 1/10W	R6517	1-218-851-11	METAL CHIP	1.5K 0.5% 1/10W

Note : The components identified by shading and marked Δ are critical for safety. Replace only with the part numbers specified in the parts list.



REF.NO.	PART.NO	DESCRIPTION	REMARK	REF.NO.	PART.NO	DESCRIPTION	REMARK
R6518	1-218-887-11	METAL CHIP	47K 0.5% 1/10W	C6702	1-100-566-91	CERAMIC CHIP 0.1UF	10.00% 25V
R6520	1-216-833-11	METAL CHIP	10K 5% 1/10W	C6703	1-100-566-91	CERAMIC CHIP 0.1UF	10.00% 25V
R6521	1-216-833-11	METAL CHIP	10K 5% 1/10W	C6706	1-162-970-11	CERAMIC CHIP 0.01UF	10.00% 25V
R6522	1-249-389-11	CARBON	4.7 5% 1/4W	C6707	1-162-970-11	CERAMIC CHIP 0.01UF	10.00% 25V
R6523	1-249-389-11	CARBON	4.7 5% 1/4W	C6709	1-112-737-11	CERAMIC 27PF	5% 6.3KV
R6524	1-243-550-71	METAL OXIDE	6.8 5% 2W	C6710	1-162-967-11	CERAMIC CHIP 0.0033UF	10.00% 50V
R6526	1-216-864-11	SHORT CHIP	0	C6711	1-104-512-11	CERAMIC 22PF	5% 6.3KV
R6527	1-216-864-11	SHORT CHIP	0	C6712	1-162-979-11	CERAMIC CHIP 0.0027UF	10.00% 50V
R6528	1-216-809-11	METAL CHIP	100 5% 1/10W	C6715	1-125-891-11	CERAMIC CHIP 0.47UF	10.00% 10V
R6529	1-249-393-11	CARBON	10 5% 1/4W	C6716	1-162-970-11	CERAMIC CHIP 0.01UF	5.00% 25V
R6530	1-208-840-11	METAL CHIP	270K 0.5% 1/10W	C6717	1-164-217-11	CERAMIC CHIP 150PF	5.00% 50V
R6531	1-208-838-91	METAL CHIP	220K 0.5% 1/10W	C6718	1-162-970-11	CERAMIC CHIP 0.01UF	10.00% 25V
R6532	1-208-838-91	METAL CHIP	220K 0.5% 1/10W	C6719	1-164-315-11	CERAMIC CHIP 470PF	5.00% 50V
R6533	1-208-838-91	METAL CHIP	220K 0.5% 1/10W	C6720	1-162-964-11	CERAMIC CHIP 0.001UF	10.00% 50V
R6534	1-208-834-11	METAL CHIP	150K 0.5% 1/10W	C6721	1-165-908-11	CERAMIC CHIP 1UF	10% 10V
R6535	1-218-867-11	METAL CHIP	6.8K 0.5% 1/10W	C6723	1-165-908-11	CERAMIC CHIP 1UF	10% 10V
R6536	1-218-823-11	METAL CHIP	100 0.5% 1/10W	C6724	1-127-804-91	CERAMIC CHIP 100PF	1% 50V
R6538	1-218-879-11	METAL CHIP	22K 0.5% 1/10W	C6725	1-107-826-11	CERAMIC CHIP 0.1UF	10.00% 16V
R6539	1-218-907-11	METAL CHIP	330K 0.5% 1/10W	C6726	1-127-573-11	CERAMIC CHIP 1UF	10% 16V
R6540	1-218-903-11	METAL CHIP	220K 0.5% 1/10W	C6727	1-165-908-11	CERAMIC CHIP 1UF	10% 10V
R6541	1-216-809-11	METAL CHIP	100 5% 1/10W	C6728	1-162-970-11	CERAMIC CHIP 0.01UF	10.00% 25V
R6542	1-218-903-11	METAL CHIP	220K 0.5% 1/10W	C6729	1-107-882-91	ELECT 100UF	20% 16V
R6543	1-211-954-11	METAL CHIP	12 0.5% 1/10W	C6730	1-162-970-11	CERAMIC CHIP 0.01UF	10.00% 25V
R6544	1-246-189-11	METAL	0.12 5% 10W	C6731	1-162-964-11	CERAMIC CHIP 0.001UF	10.00% 50V
		< RELAY >		C6732	1-100-591-91	CERAMIC CHIP 1UF	10% 25V
RY6000	1-755-516-11	RELAY (AC POWER)		C6735	1-165-176-11	CERAMIC CHIP 0.047UF	10.00% 16V
		< TRANSFORMER >		C6738	1-165-908-11	CERAMIC CHIP 1UF	10% 10V
T6100	Δ 1-445-205-11	CONVERTER TRANSFORMER (PIT)		C6739	1-162-970-11	CERAMIC CHIP 0.01UF	10.00% 25V
T6200	Δ 1-443-984-11	CONVERTER TRANSFORMER (SBT)		C6740	1-107-882-91	ELECT 100UF	20% 16V
		< VARISTOR >		C6741	1-165-908-11	CERAMIC CHIP 1UF	10% 10V
VD6000	Δ 1-804-996-21	VARISTOR		C6742	1-100-566-91	CERAMIC CHIP 0.1UF	10.00% 25V
VD6001	Δ 1-804-996-21	VARISTOR		C6743	1-100-566-91	CERAMIC CHIP 0.1UF	10.00% 25V
		*A-1268-621-A D1 Board, Complete (KDL-40D2600 only)		C6744	1-100-566-91	CERAMIC CHIP 0.1UF	10.00% 25V
	4-382-854-11	SCREW (M3X10), P, SW (+)		C6745	1-107-877-11	ELECT 1000UF	20% 10V
		< CAPACITOR >		C6746	1-100-566-91	CERAMIC CHIP 0.1UF	10.00% 25V
C6600	1-165-794-21	MYLAR 1UF	10% 450V	C6747	1-100-566-91	CERAMIC CHIP 0.1UF	10.00% 25V
C6601	1-162-964-11	CERAMIC CHIP 0.001UF	10.00% 50V	C6748	1-165-908-11	CERAMIC CHIP 1UF	10% 10V
C6602	1-162-964-11	CERAMIC CHIP 0.001UF	10.00% 50V	C6749	1-100-566-91	CERAMIC CHIP 0.1UF	10.00% 25V
C6604	1-115-339-11	CERAMIC CHIP 0.1UF	10.00% 50V	C6750	1-162-970-11	CERAMIC CHIP 0.01UF	10.00% 25V
C6606	1-165-794-21	MYLAR 1UF	10% 450V	C6753	1-107-906-11	ELECT 10UF	20% 50V
C6609	1-107-826-11	CERAMIC CHIP 0.1UF	10.00% 16V	C6754	1-107-826-11	CERAMIC CHIP 0.1UF	10.00% 16V
C6612	1-119-891-51	CERAMIC 220PF	10.00% 250V	C6755	1-162-964-11	CERAMIC CHIP 0.001UF	10.00% 50V
C6700	1-100-566-91	CERAMIC CHIP 0.1UF	10.00% 25V	C6756	1-100-566-91	CERAMIC CHIP 0.1UF	10.00% 25V
C6701	1-100-566-91	CERAMIC CHIP 0.1UF	10.00% 25V	C6757	1-100-566-91	CERAMIC CHIP 0.1UF	10.00% 25V
				C6759	1-107-882-91	ELECT 100UF	20% 16V
				C6785	1-100-566-91	CERAMIC CHIP 0.1UF	10.00% 25V
				C6789	1-107-888-11	ELECT 47UF	20% 25V
				C6794	1-100-566-91	CERAMIC CHIP 0.1UF	10.00% 25V

REF.NO.	PART.NO	DESCRIPTION	REMARK	REF.NO.	PART.NO	DESCRIPTION	REMARK
< CONNECTOR >				< TRANSISTOR >			
CN6600	*1-793-660-11	PIN, CONNECTOR (PC BOARD) 3P		Q6604	8-729-822-09	TRANSISTOR 2SB1122-ST-TD-E	
CN6700	*1-821-072-11	HEADER ASSEMBLY FOR PWB 2P		Q6605	8-729-822-09	TRANSISTOR 2SB1122-ST-TD-E	
CN6701	*1-785-704-11	PIN, CONNECTOR (PC BOARD) 7P		Q6606	6-551-713-01	TRANSISTOR 2SK3569(LBS1SONY.Q)	
CN6707	*1-778-853-11	PIN, CONNECTOR (PC BOARD) 8P		Q6607	6-551-713-01	TRANSISTOR 2SK3569(LBS1SONY.Q)	
< DIODE >				Q6700	6-551-687-01	TRANSISTOR 3LP02C-TB-E	
D6608	8-719-041-97	DIODE MA113-(TX)		Q6701	6-551-688-01	TRANSISTOR 3LN02C-TB-E	
D6609	8-719-041-97	DIODE MA113-(TX)		Q6702	6-551-687-01	TRANSISTOR 3LP02C-TB-E	
D6612	6-501-848-01	DIODE S3K60		Q6703	6-551-688-01	TRANSISTOR 3LN02C-TB-E	
D6613	6-501-848-01	DIODE S3K60		Q6704	8-729-028-27	TRANSISTOR 2SK2009 (TE85L)	
D6614	6-501-848-01	DIODE S3K60		Q6705	8-729-620-07	TRANSISTOR 2SC3052EF-T1-LEF	
D6615	6-501-848-01	DIODE S3K60		Q6711	8-729-620-07	TRANSISTOR 2SC3052EF-T1-LEF	
D6623	8-719-083-57	DIODE UDZSTE-173.6B		Q6712	8-729-620-33	TRANSISTOR 2SA1235TP-1EF	
D6624	8-719-083-57	DIODE UDZSTE-173.6B		Q6714	8-729-620-33	TRANSISTOR 2SA1235TP-1EF	
D6625	6-500-137-01	DIODE BAT54HT1		< RESISTOR >			
D6700	8-719-420-90	DIODE MA8051-M-TX		JR6700	1-216-296-11	SHORT CHIP	0
D6701	8-719-420-90	DIODE MA8051-M-TX		JR6701	1-216-296-11	SHORT CHIP	0
D6702	8-719-404-50	DIODE MA111-TX		JR6702	1-216-296-11	SHORT CHIP	0
D6703	8-719-404-50	DIODE MA111-TX		JR6703	1-216-296-11	SHORT CHIP	0
D6704	8-719-800-76	DIODE 1SS226-TE85L		JR6704	1-216-296-11	SHORT CHIP	0
D6705	8-719-800-76	DIODE 1SS226-TE85L		JR6705	1-216-296-11	SHORT CHIP	0
D6708	6-500-335-01	DIODE MC2838-T112-1		JR6706	1-216-296-11	SHORT CHIP	0
D6709	8-719-017-58	DIODE MA8068-TX		JR6707	1-216-296-11	SHORT CHIP	0
D6710	8-719-017-58	DIODE MA8068-TX		JR6709	1-216-296-11	SHORT CHIP	0
D6714	8-719-422-12	DIODE MA8039-TX		JR6714	1-216-296-11	SHORT CHIP	0
D6715	8-719-422-12	DIODE MA8039-TX		JR6717	1-216-864-11	SHORT CHIP	0
D6717	8-719-404-50	DIODE MA111-TX		JR6718	1-216-864-11	SHORT CHIP	0
D6718	8-719-404-50	DIODE MA111-TX		JR6719	1-216-296-11	SHORT CHIP	0
ET6700	1-537-770-21	TERMINAL BOARD, GROUND		JR6721	1-216-296-11	SHORT CHIP	0
ET6701	1-537-770-21	TERMINAL BOARD, GROUND		JR6724	1-216-296-11	SHORT CHIP	0
< FERRITE BEAD >				JR6725	1-216-864-11	SHORT CHIP	0
FB6604	1-412-911-11	FERRITE	0UH	JR6726	1-216-296-11	SHORT CHIP	0
FB6605	1-412-911-11	FERRITE	0UH	JR6727	1-216-864-11	SHORT CHIP	0
FB6606	1-412-911-11	FERRITE	0UH	R6609	1-216-857-11	METAL CHIP	1M 5% 1/10W
FB6607	1-412-911-11	FERRITE	0UH	R6610	1-216-057-00	RES-CHIP	2.2K 5% 1/10W
FB6609	1-481-256-11	FERRITE	0UH	R6611	1-216-057-00	RES-CHIP	2.2K 5% 1/10W
FB6610	1-410-396-41	FERRITE	0.45UH	R6612	1-249-403-11	CARBON	68 5% 1/4W
< IC >				R6613	1-249-403-11	CARBON	68 5% 1/4W
IC6701	6-711-021-01	IC LX1692BIDW-TR		R6614	1-216-793-11	METAL CHIP	4.7 5% 1/10W
IC6702	6-708-762-01	IC PQ200WNA1ZPH		R6615	1-216-793-11	METAL CHIP	4.7 5% 1/10W
IC6703	8-759-575-27	IC BA10339F-E2		R6616	1-216-833-11	METAL CHIP	10K 5% 1/10W
IC6704	6-709-368-01	IC MMI431ATT (CN)		R6617	1-216-833-11	METAL CHIP	10K 5% 1/10W
< COIL >				R6626	1-216-864-11	SHORT CHIP	0
L6600	1-406-977-21	INDUCTOR	100UH	R6634	1-216-057-00	RES-CHIP	2.2K 5% 1/10W
				R6635	1-216-057-00	RES-CHIP	2.2K 5% 1/10W
				R6700	1-216-793-11	METAL CHIP	4.7 5% 1/10W
				R6701	1-216-793-11	METAL CHIP	4.7 5% 1/10W
				R6702	1-216-793-11	METAL CHIP	4.7 5% 1/10W

REF.NO.	PART.NO	DESCRIPTION	REMARK	REF.NO.	PART.NO	DESCRIPTION	REMARK
R6703	1-216-793-11	METAL CHIP	4.7 5% 1/10W	R6779	1-218-871-11	METAL CHIP	10K 0.5% 1/10W
R6704	1-216-793-11	METAL CHIP	4.7 5% 1/10W	R6780	1-216-864-11	SHORT CHIP	0
R6705	1-216-833-11	METAL CHIP	10K 5% 1/10W	R6782	1-218-887-11	METAL CHIP	47K 0.5% 1/10W
R6706	1-216-833-11	METAL CHIP	10K 5% 1/10W	R6783	1-218-895-11	METAL CHIP	100K 0.5% 1/10W
R6707	1-216-833-11	METAL CHIP	10K 5% 1/10W	R6786	1-216-829-11	METAL CHIP	4.7K 5% 1/10W
R6708	1-216-833-11	METAL CHIP	10K 5% 1/10W	R6787	1-216-817-11	METAL CHIP	470 5% 1/10W
R6710	1-243-831-71	METAL OXIDE	12 5% 1W	R6788	1-216-864-11	SHORT CHIP	0
R6711	1-243-831-71	METAL OXIDE	12 5% 1W	R6789	1-218-887-11	METAL CHIP	47K 0.5% 1/10W
R6712	1-243-831-71	METAL OXIDE	12 5% 1W	R6790	1-218-883-11	METAL CHIP	33K 0.5% 1/10W
R6713	1-243-831-71	METAL OXIDE	12 5% 1W	R6792	1-218-885-11	METAL CHIP	39K 0.5% 1/10W
R6714	1-216-829-11	METAL CHIP	4.7K 5% 1/10W	R6793	1-216-833-11	METAL CHIP	10K 5% 1/10W
R6715	1-216-837-11	METAL CHIP	22K 5% 1/10W	R6794	1-218-871-11	METAL CHIP	10K 0.5% 1/10W
R6716	1-216-825-11	METAL CHIP	2.2K 5% 1/10W	R6795	1-216-841-11	METAL CHIP	47K 5% 1/10W
R6721	1-216-817-11	METAL CHIP	470 5% 1/10W	R6802	1-218-887-11	METAL CHIP	47K 0.5% 1/10W
R6722	1-218-897-11	METAL CHIP	120K 0.5% 1/10W	R6804	1-249-381-11	CARBON	1 5% 1/4W
R6723	1-218-871-11	METAL CHIP	10K 0.5% 1/10W	R6805	1-216-793-11	METAL CHIP	4.7 5% 1/10W
R6724	1-216-864-11	SHORT CHIP	0	R6806	1-216-864-11	SHORT CHIP	0
R6725	1-218-891-11	METAL CHIP	68K 0.5% 1/10W	R6807	1-216-864-11	SHORT CHIP	0
R6727	1-216-841-11	METAL CHIP	47K 5% 1/10W	R6809	1-216-825-11	METAL CHIP	2.2K 5% 1/10W
R6729	1-216-829-11	METAL CHIP	4.7K 5% 1/10W	R6810	1-218-875-11	METAL CHIP	15K 0.5% 1/10W
R6730	1-216-829-11	METAL CHIP	4.7K 5% 1/10W	R6811	1-218-901-11	METAL CHIP	180K 0.5% 1/10W
R6731	1-216-837-11	METAL CHIP	22K 5% 1/10W	R6816	1-216-864-11	SHORT CHIP	0
R6732	1-218-893-11	METAL CHIP	82K 0.5% 1/10W	R6819	1-216-864-11	SHORT CHIP	0
R6733	1-218-863-11	METAL CHIP	4.7K 0.5% 1/10W	R6823	1-216-864-11	SHORT CHIP	0
R6734	1-216-833-11	METAL CHIP	10K 5% 1/10W	R6824	1-216-864-11	SHORT CHIP	0
R6736	1-218-885-11	METAL CHIP	39K 0.5% 1/10W	R6909	1-216-821-11	METAL CHIP	1K 5% 1/10W
R6737	1-216-821-11	METAL CHIP	1K 5% 1/10W			< TRANSFORMER >	
R6739	1-216-864-11	SHORT CHIP	0	T6800	1-445-237-11	TRANSFORMER, DRIVE	
R6750	1-218-895-11	METAL CHIP	100K 0.5% 1/10W	T6801	8-597-054-00	TRANSFORMER, HIGH-VOLTAGE INSU	
R6751	1-218-871-11	METAL CHIP	10K 0.5% 1/10W			*A-1242-176-A H4 Board, Complete	
R6752	1-211-983-11	METAL CHIP	39 0.5% 1/10W			< CAPACITOR >	
R6754	1-211-983-11	METAL CHIP	39 0.5% 1/10W	C401	1-162-960-11	CERAMIC CHIP 220PF	10.00% 50V
R6755	1-216-861-11	METAL CHIP	2.2M 5% 1/10W	C402	1-100-909-11	CERAMIC CHIP 10UF	10% 6.3V
R6756	1-211-983-11	METAL CHIP	39 0.5% 1/10W			< CONNECTOR >	
R6757	1-216-833-11	METAL CHIP	10K 5% 1/10W	CN401	*1-820-297-11	HEADER ASSEMBLY (PRINT PWB) 3P	
R6758	1-211-983-11	METAL CHIP	39 0.5% 1/10W			< IC >	
R6760	1-218-854-11	METAL CHIP	2K 0.5% 1/10W	IC401	6-600-502-01	HIC GP1UE26RK0VF	
R6761	1-218-853-11	METAL CHIP	1.8K 0.5% 1/10W			< RESISTOR >	
R6762	1-211-983-11	METAL CHIP	39 0.5% 1/10W	R401	1-216-817-11	METAL CHIP	470 5% 1/10W
R6763	1-218-863-11	METAL CHIP	4.7K 0.5% 1/10W	R402	1-216-805-11	METAL CHIP	47 5% 1/10W
R6764	1-211-985-11	METAL CHIP	47 0.5% 1/10W				
R6766	1-216-864-11	SHORT CHIP	0				
R6768	1-211-985-11	METAL CHIP	47 0.5% 1/10W				
R6770	1-218-863-11	METAL CHIP	4.7K 0.5% 1/10W				
R6771	1-218-871-11	METAL CHIP	10K 0.5% 1/10W				
R6772	1-218-871-11	METAL CHIP	10K 0.5% 1/10W				
R6773	1-216-833-11	METAL CHIP	10K 5% 1/10W				
R6775	1-216-845-11	METAL CHIP	100K 5% 1/10W				
R6776	1-218-847-11	METAL CHIP	1K 0.5% 1/10W				
R6778	1-216-864-11	SHORT CHIP	0				

Note : The components identified by shading and marked Δ are critical for safety. Replace only with the part numbers specified in the parts list.



REF.NO. PART.NO DESCRIPTION REMARK

***A-1242-175-A H3 Board, Complete**

< CONNECTOR >

CN301 *1-820-288-11 HEADER ASSEMBLY (PRINT PWB) 9P

< DIODE >

D302 8-719-085-26 DIODE CL-165HR/SYG-D-T
 D305 8-719-085-26 DIODE CL-165HR/SYG-D-T
 D308 6-500-817-01 DIODE (LED) SML-512UWT86

< TRANSISTOR >

Q301 8-729-038-37 TRANSISTOR RT1N141M-TP-1
 Q302 8-729-038-37 TRANSISTOR RT1N141M-TP-1
 Q303 8-729-038-37 TRANSISTOR RT1N141M-TP-1
 Q304 8-729-038-37 TRANSISTOR RT1N141M-TP-1
 Q305 8-729-038-37 TRANSISTOR RT1N141M-TP-1

< RESISTOR >

R301 1-216-815-11 METAL CHIP 330 5% 1/10W
 R302 1-216-819-11 METAL CHIP 680 5% 1/10W
 R303 1-216-815-11 METAL CHIP 330 5% 1/10W
 R304 1-216-819-11 METAL CHIP 680 5% 1/10W
 R305 1-216-823-11 METAL CHIP 1.5K 5% 1/10W

***A-1242-174-A H1 Board, Complete**

< CONNECTOR >

CN101 *1-820-180-11 HEADER ASSEMBLY (PRINT PWB) 3P

< RESISTOR >

R101 1-218-851-11 METAL CHIP 1.5K 0.5% 1/10W
 R103 1-218-833-11 METAL CHIP 270 0.5% 1/10W
 R104 1-218-841-11 METAL CHIP 560 0.5% 1/10W
 R105 1-218-855-11 METAL CHIP 2.2K 0.5% 1/10W
 R106 1-218-841-11 METAL CHIP 560 0.5% 1/10W
 R108 1-216-864-11 SHORT CHIP 0

< SWITCH >

S101 1-572-595-31 SWITCH, TACTILE (REFLOW TYPE)
 S102 1-572-595-31 SWITCH, TACTILE (REFLOW TYPE)
 S103 1-572-595-31 SWITCH, TACTILE (REFLOW TYPE)
 S104 1-572-595-31 SWITCH, TACTILE (REFLOW TYPE)
 S105 1-572-595-31 SWITCH, TACTILE (REFLOW TYPE)
 S106 1-572-595-31 SWITCH, TACTILE (REFLOW TYPE)
 S107 1-572-595-31 SWITCH, TACTILE (REFLOW TYPE)

REF.NO. PART.NO DESCRIPTION REMARK

***A-1257-919-A G1 Board Complete (KDL-32D2600 only)**

2-409-877-21 WASHER (3X10), RS TITE SPRING

< CAPACITOR >

C6000 Δ 1-113-924-11 CERAMIC 0.0047UF 20.00% 250V
 C6001 Δ 1-161-964-91 CERAMIC 0.0047UF 250V
 C6002 Δ 1-119-892-51 CERAMIC 470PF 10.00% 250V
 C6003 Δ 1-165-529-11 MYLAR 0.22UF 10 275V
 C6004 Δ 1-165-530-11 MYLAR 0.47UF 10 275V

C6005 Δ 1-119-892-51 CERAMIC 470PF 10.00% 250V
 C6006 Δ 1-161-964-91 CERAMIC 0.0047UF 250V
 C6007 Δ 1-119-892-51 CERAMIC 470PF 10.00% 250V
 C6008 Δ 1-135-361-11 ELECT (BLOCK) 180UF 20% 450V
 C6009 1-162-970-11 CERAMIC CHIP 0.01UF 10.00% 25V

C6010 1-162-964-11 CERAMIC CHIP 0.001UF 10.00% 50V
 C6011 1-107-888-11 ELECT 47UF 20% 25V
 C6012 Δ 1-119-892-51 CERAMIC 470PF 10.00% 250V
 C6013 1-100-831-91 CERAMIC CHIP 0.001UF 2% 50V
 C6014 1-107-905-11 ELECT 4.7UF 20% 50V

C6015 1-162-970-11 CERAMIC CHIP 0.01UF 10.00% 25V
 C6016 1-107-906-11 ELECT 10UF 20% 50V
 C6018 1-162-970-11 CERAMIC CHIP 0.01UF 10.00% 25V
 C6019 1-107-888-11 ELECT 47UF 20% 25V
 C6020 1-115-339-11 CERAMIC CHIP 0.1UF 10.00% 50V

C6021 1-165-908-11 CERAMIC CHIP 1UF 10% 10V
 C6022 1-107-824-11 CERAMIC 220PF 5.00% 1KV
 C6023 1-107-824-11 CERAMIC 220PF 5.00% 1KV
 C6024 1-165-610-11 FILM 33000PF 3% 800V
 C6025 1-107-902-11 ELECT 1UF 20% 50V

C6027 1-107-902-11 ELECT 1UF 20% 50V
 C6029 1-112-254-21 ELECT 1000UF 20% 35V
 C6030 1-112-231-21 ELECT 2200UF 20% 16V
 C6031 1-162-970-11 CERAMIC CHIP 0.01UF 10.00% 25V
 C6033 1-165-745-21 ELECT 1200UF 20% 35V

C6034 1-165-745-21 ELECT 1200UF 20% 35V
 C6039 1-112-228-21 ELECT 1000UF 20% 16V
 C6040 1-112-254-21 ELECT 1000UF 20% 35V
 C6042 1-100-566-91 CERAMIC CHIP 0.1UF 10.00% 25V
 C6043 1-162-970-11 CERAMIC CHIP 0.01UF 10.00% 25V

C6202 1-107-903-11 ELECT 2.2UF 20% 50V
 C6205 1-107-904-11 ELECT 3.3UF 20% 50V
 C6206 1-100-139-41 FILM 0.001UF 5% 630V
 C6208 1-162-964-11 CERAMIC CHIP 0.001UF 10.00% 50V
 C6209 1-119-892-51 CERAMIC 470PF 10.00% 250V

C6211 1-112-226-21 ELECT 470UF 20% 16V
 C6212 1-107-826-11 CERAMIC CHIP 0.1UF 10.00% 16V
 C6214 1-112-744-61 MYLAR 1UF 10% 450V
 C6315 Δ 1-135-361-11 ELECT (BLOCK) 180UF 20% 450V
 C6316 1-107-826-11 CERAMIC CHIP 0.1UF 10.00% 16V

Note : The components identified by shading and marked Δ are critical for safety. Replace only with the part numbers specified in the parts list.

G1

REF.NO.	PART.NO	DESCRIPTION	REMARK	REF.NO.	PART.NO	DESCRIPTION	REMARK
C6317	1-162-927-11	CERAMIC CHIP 100PF	5.00% 50V			< IC >	
C6318	1-107-910-11	ELECT 100UF	20% 50V				
C6320	1-164-156-11	CERAMIC CHIP 0.1UF	25V	IC6000	6-705-810-01	IC MCZ3001DB	
C6321	1-112-240-21	ELECT 820UF	20% 25V	IC6001	6-709-368-01	IC MM1431ATT (CN)	
C6322	1-128-525-91	ELECT 470UF	20% 16V	IC6002	6-709-368-01	IC MM1431ATT (CN)	
		< CONNECTOR >		IC6200	6-708-801-01	IC MIP2H2	
CN6000	Δ *1-691-960-11	PIN, CONNECTOR (PC BOARD) 3P		IC6201	6-709-442-01	IC MM1530ATT	
CN6002	*1-785-705-11	PIN, CONNECTOR (PC BOARD) 9P		IC6202	8-759-640-19	IC PQ1CG2032FZ	
CN6003	*1-793-236-11	PIN, CONNECTOR (PC BOARD) 14P				< COIL >	
CN6200	*1-779-944-11	PIN, CONNECTOR (PC BOARD) 4P		L6001	Δ 1-457-430-11	INDUCTOR 24MH	
CN6200	*1-779-944-21	PIN, CONNECTOR (PC BOARD) 4P		L6002	Δ 1-457-440-11	LINE FILTER COIL	
		< DIODE >		L6003	Δ 1-457-440-11	LINE FILTER COIL	
D6000	8-719-510-63	DIODE D4SB60L-F		L6004	1-406-971-11	INDUCTOR 10UH	
D6001	6-500-108-01	DIODE EP05FA20		L6005	1-406-971-11	INDUCTOR 10UH	
D6002	6-500-108-01	DIODE EP05FA20		L6008	1-406-971-11	INDUCTOR 10UH	
D6003	8-719-404-50	DIODE MA111-TX		L6203	Δ 1-457-430-11	INDUCTOR 24MH	
D6004	6-501-625-01	DIODE PZU15B2		L6204	1-414-934-21	INDUCTOR 10UH	
D6005	8-719-081-97	DIODE MMDL914T1		L6205	1-406-971-11	INDUCTOR 10UH	
D6006	6-501-625-01	DIODE PZU15B2		L6206	1-456-803-11	INDUCTOR 100UH	
D6007	6-501-625-01	DIODE PZU15B2		L6207	1-412-525-31	INDUCTOR 10UH	
D6008	8-719-979-64	DIODE UF4005/23				< PHOTO COUPLER >	
D6009	6-501-625-01	DIODE PZU15B2		PH6000	6-600-187-01	PHOTO COUPLER PC123Y22J00F	
D6010	6-501-625-01	DIODE PZU15B2		PH6001	6-600-187-01	PHOTO COUPLER PC123Y22J00F	
D6011	6-501-545-01	DIODE SG10SC6-F5		PH6002	6-600-187-01	PHOTO COUPLER PC123Y22J00F	
D6012	6-501-917-01	DI SG10SC9F5-5009F23		PH6200	6-600-187-01	PHOTO COUPLER PC123Y22J00F	
D6014	6-501-545-01	DIODE SG10SC6-F5				< PROTECTOR MODULE >	
D6018	6-501-917-01	DI SG10SC9F5-5009F23		PS6000	Δ 1-533-596-21	IC LINK 4A 90V	
D6019	6-501-631-01	DIODE PZU27B		PS6001	Δ 1-533-596-21	IC LINK 4A 90V	
D6023	8-719-404-50	DIODE MA111-TX		PS6002	Δ 1-533-595-31	IC LINK 3.15A 90V	
D6024	6-501-614-01	DIODE PZU5.6B2				< TRANSISTOR >	
D6025	8-719-404-50	DIODE MA111-TX		Q6000	8-729-620-07	TRANSISTOR 2SC3052EF-T1-LEF	
D6202	6-500-567-31	DIODE 10ERB20-TB3		Q6001	8-729-010-08	TRANSISTOR MSB710-RT1	
D6203	6-501-297-01	DIODE 1F6G		Q6002	8-729-620-07	TRANSISTOR 2SC3052EF-T1-LEF	
D6204	8-719-032-10	DIODE D1NS4-TR2		Q6003	6-551-545-01	TRANSISTOR 2SK3469-01MR-F111	
D6205	6-501-043-01	DIODE UMZ16NT106		Q6004	6-551-545-01	TRANSISTOR 2SK3469-01MR-F111	
D6206	6-500-567-31	DIODE 10ERB20-TB3		Q6005	8-729-620-07	TRANSISTOR 2SC3052EF-T1-LEF	
D6207	6-500-567-31	DIODE 10ERB20-TB3		Q6006	8-729-620-07	TRANSISTOR 2SC3052EF-T1-LEF	
D6208	8-719-022-97	DIODE D2S4MTA1		Q6007	8-729-620-33	TRANSISTOR 2SA1235TP-1EF	
D6209	8-719-084-56	DIODE PTZ-TE25-15B		Q6008	8-729-620-07	TRANSISTOR 2SC3052EF-T1-LEF	
D6211	8-719-073-35	DIODE RB551V-30TE-17		Q6009	8-729-620-07	TRANSISTOR 2SC3052EF-T1-LEF	
ET6000	1-537-770-21	TERMINAL BOARD, GROUND				< RESISTOR >	
ET6001	1-537-770-21	TERMINAL BOARD, GROUND		JR6000	1-216-295-91	SHORT CHIP 0	
		< FUSE >		JR6300	1-216-864-11	SHORT CHIP 0	
F6000	Δ 1-576-231-51	FUSE 4A 250V		JR6302	1-216-864-11	SHORT CHIP 0	
FH6000	Δ 1-533-725-21	FUSE HOLDER 6.3A 250V		JR6303	1-216-864-11	SHORT CHIP 0	

Note : The components identified by shading and marked Δ are critical for safety. Replace only with the part numbers specified in the parts list.

G1

REF.NO.	PART.NO	DESCRIPTION	REMARK	REF.NO.	PART.NO	DESCRIPTION	REMARK
R6003	1-208-838-91	METAL CHIP	220K 0.5% 1/10W	R6062	1-218-849-11	METAL CHIP	1.2K 0.5% 1/10W
R6004	1-208-838-91	METAL CHIP	220K 0.5% 1/10W	R6063	1-218-868-11	METAL CHIP	7.5K 0.5% 1/10W
R6005	1-208-838-91	METAL CHIP	220K 0.5% 1/10W	R6064	1-218-847-11	METAL CHIP	1K 0.5% 1/10W
R6006	1-208-838-91	METAL CHIP	220K 0.5% 1/10W	R6066	1-216-829-11	METAL CHIP	4.7K 5% 1/10W
R6007	1-208-830-11	METAL CHIP	100K 0.5% 1/10W	R6068	1-216-849-11	METAL CHIP	220K 5% 1/10W
R6008	1-208-838-91	METAL CHIP	220K 0.5% 1/10W	R6069	1-208-842-11	METAL CHIP	330K 0.5% 1/10W
R6009 Δ	1-220-778-81	FUSIBLE	0.1 10% 1/2W	R6070	1-208-842-11	METAL CHIP	330K 0.5% 1/10W
R6010	1-208-852-11	METAL CHIP	820K 0.5% 1/10W	R6071	1-208-838-91	METAL CHIP	220K 0.5% 1/10W
R6011	1-208-852-11	METAL CHIP	820K 0.5% 1/10W	R6072	1-208-810-11	METAL CHIP	15K 0.5% 1/10W
R6012	1-216-837-11	METAL CHIP	22K 5% 1/10W	R6073	1-216-837-11	METAL CHIP	22K 5% 1/10W
R6013	1-208-852-11	METAL CHIP	820K 0.5% 1/10W	R6074	1-216-825-11	METAL CHIP	2.2K 5% 1/10W
R6014	1-208-838-91	METAL CHIP	220K 0.5% 1/10W	R6075	1-216-825-11	METAL CHIP	2.2K 5% 1/10W
R6015	1-208-838-91	METAL CHIP	220K 0.5% 1/10W	R6076	1-216-837-11	METAL CHIP	22K 5% 1/10W
R6016	1-216-833-11	METAL CHIP	10K 5% 1/10W	R6080	1-208-838-91	METAL CHIP	220K 0.5% 1/10W
R6017	1-208-803-11	METAL CHIP	7.5K 0.5% 1/10W	R6081	1-216-295-91	SHORT CHIP	0
R6018	1-218-881-11	METAL CHIP	27K 0.5% 1/10W	R6200	1-249-389-11	CARBON	4.7 5% 1/4W
R6020	1-218-823-11	METAL CHIP	100 0.5% 1/10W	R6202	1-216-864-11	SHORT CHIP	0
R6022	1-218-875-11	METAL CHIP	15K 0.5% 1/10W	R6203	1-216-864-11	SHORT CHIP	0
R6024	1-216-845-11	METAL CHIP	100K 5% 1/10W	R6204	1-249-385-11	CARBON	2.2 5% 1/4W
R6025	1-216-833-11	METAL CHIP	10K 5% 1/10W	R6205	1-243-725-21	METAL OXIDE	100K 5% 1W
R6026	1-216-833-11	METAL CHIP	10K 5% 1/10W	R6206	1-216-821-11	METAL CHIP	1K 5% 1/10W
R6027	1-216-837-11	METAL CHIP	22K 5% 1/10W	R6209	1-216-805-11	METAL CHIP	47 5% 1/10W
R6028	1-218-823-11	METAL CHIP	100 0.5% 1/10W	R6210	1-218-871-11	METAL CHIP	10K 0.5% 1/10W
R6029	1-216-837-11	METAL CHIP	22K 5% 1/10W	R6211	1-218-867-11	METAL CHIP	6.8K 0.5% 1/10W
R6030	1-249-393-11	CARBON	10 5% 1/4W	R6212	1-216-295-91	SHORT CHIP	0
R6031	1-249-393-11	CARBON	10 5% 1/4W	R6213	1-216-295-91	SHORT CHIP	0
R6032	1-218-871-11	METAL CHIP	10K 0.5% 1/10W	R6220	1-218-865-11	METAL CHIP	5.6K 0.5% 1/10W
R6035	1-216-833-11	METAL CHIP	10K 5% 1/10W	R6221	1-216-827-11	METAL CHIP	3.3K 5% 1/10W
R6036	1-216-833-11	METAL CHIP	10K 5% 1/10W	R6222	1-218-879-11	METAL CHIP	22K 0.5% 1/10W
R6037	1-216-821-11	METAL CHIP	1K 5% 1/10W	R6223	1-216-864-11	SHORT CHIP	0
R6038	1-216-864-11	SHORT CHIP	0	R6224	1-218-881-11	METAL CHIP	27K 0.5% 1/10W
R6039	1-216-864-11	SHORT CHIP	0	R6226	1-218-849-11	METAL CHIP	1.2K 0.5% 1/10W
R6040	1-245-494-21	METAL	2.2M 2% 1/4W	R6227	1-218-871-11	METAL CHIP	10K 0.5% 1/10W
R6041	1-245-494-21	METAL	2.2M 2% 1/4W	< TRANSFORMER >			
R6042	1-216-817-11	METAL CHIP	470 5% 1/10W	T6000 Δ	1-445-204-11	CONVERTER TRANSFORMER (PIT)	
R6043	1-245-315-71	METAL OXIDE	0.1 5% 2W	T6001 Δ	1-445-201-11	CONVERTER TRANSFORMER (PIT)	
R6044	1-216-864-11	SHORT CHIP	0	T6200 Δ	1-443-984-11	CONVERTER TRANSFORMER (SBT)	
R6045	1-245-315-71	METAL OXIDE	0.1 5% 2W	< VARISTOR >			
R6046	1-216-833-11	METAL CHIP	10K 5% 1/10W	VD6000 Δ	1-804-995-11	VARISTOR	
R6047	1-216-833-11	METAL CHIP	10K 5% 1/10W				
R6048	1-216-837-11	METAL CHIP	22K 5% 1/10W				
R6049	1-216-837-11	METAL CHIP	22K 5% 1/10W				
R6050	1-216-833-11	METAL CHIP	10K 5% 1/10W				
R6052	1-216-821-11	METAL CHIP	1K 5% 1/10W				
R6053	1-216-821-11	METAL CHIP	1K 5% 1/10W				
R6054	1-216-833-11	METAL CHIP	10K 5% 1/10W				
R6055	1-216-864-11	SHORT CHIP	0				
R6057	1-216-822-11	METAL CHIP	1.2K 5% 1/10W				
R6058	1-216-833-11	METAL CHIP	10K 5% 1/10W				
R6061	1-216-837-11	METAL CHIP	22K 5% 1/10W				

Note : The components identified by shading and marked Δ are critical for safety. Replace only with the part numbers specified in the parts list.

REF.NO.	PART.NO	DESCRIPTION	REMARK	REF.NO.	PART.NO	DESCRIPTION	REMARK
MISCELLANEOUS							
	A-1252-580-A	LCD PANEL(32IN WXGA TFT)	(KDL-32D2600)		*3-198-502-11	INSTRUCTION MANUAL (KDL-32/40D2600UK) (ENGLISH)	
	A-1252-579-A	LCD PANEL(40IN WXGA TFT)	(KDL-40D2600)		*3-198-502-21	INSTRUCTION MANUAL (KDL-32/40D2600AEP) (GERMAN/FRENCH/ITALIAN/DUTCH)	
Δ	1-819-729-14	INLET AC, WITH NOISE FILTER	(KDL-40D2600)		*3-198-502-31	INSTRUCTION MANUAL (KDL-32/40D2600AEP) (SPANISH/PORTUGUESE/GREEK)	
	1-826-647-11	LOUDSPEAKER (5.5X15.5CM)	(KDL-40D2600)				
	1-826-648-11	LOUDSPEAKER (4.2X15CM)	(KDL-32D2600)				
Δ	1-832-132-31	POWER-SUPPLY CORD	(KDL-32D2600AEP)		*3-210-559-41	INSTRUCTION MANUAL (KDL-32/40D2600AEP) (ENGLISH/RUSSIAN/POLISH/CZECH/SLOVAK/ HUNGARIAN)	
Δ	1-830-611-11	POWER-SUPPLY CORD	(KDL-40D2600AEP)		*3-198-502-51	INSTRUCTION MANUAL (KDL-32/40D2600AEP) (NORWEGIAN/SWEDISH/FINNISH/DANISH/TURKISH)	
Δ	1-830-609-11	AC POWER-SUPPLY CORD SET	(KDL-40D2600UK)				
Δ	1-832-170-41	POWER SUPPLY CORD (UK PLUG)	(KDL-32D2600UK)				
	8-597-613-00	TUNER UNIT, DIGITAL	BTD-HF401Z				
ACCESSORIES AND CONNECTORS				REMOTE COMMANDER			
	1-833-927-12	CONNECTOR ASSY (BALANCER-CN6700(D1))	(KDL-40D2600)		1-480-158-11	REMOTE COMMANDER (RM-ED009)	
	1-834-221-11	HDMI CABLE	(KDL-32D2600)				
	1-834-222-11	HDMI CABLE	(KDL-40D2600)				
	*1-910-035-65	SPEAKER HARNESS, 4 PIN (CN3000(BC)-SPEAKER)	(KDL-32D2600)				
	*1-910-035-66	SPEAKER HARNESS, 4 PIN (CN3000(BC)-SPEAKER)	(KDL-40D2600)				
	*1-910-035-68	CONNECTOR ASSY 3P (CN101(H1)-CN6400(BC))	(KDL-32D2600)				
	*1-910-035-70	CONNECTOR ASSY 3P (CN101(H1)-CN6400(BC))	(KDL-40D2600)				
	*1-910-035-71	CONNECTOR ASSY 14P (CN6002(G1)-CN6402(BC)- INVERTER)	(KDL-32D2600)				
	*1-910-035-72	CONNECTOR ASSY 14P (CN6003(G1)-CN6500(BC))	(KDL-32D2600)				
	*1-910-035-73	CONNECTOR ASSY 3P (CN6200(G1)-CN6501(BC))	(KDL-32D2600)				
	*1-910-035-75	CONNECTOR ASSY 3P (CN6502(G3)-CN6600(D1))	(KDL-40D2600)				
	*1-910-035-76	CONNECTOR ASSY 20P (CN3001(BC)-CN4000(BC)- CN201(U2))	(KDL-32D2600)				
	*1-910-035-77	CONNECTOR ASSY 20P (CN3001(BC)-CN4000(BC)- CN201(U2))	(KDL-40D2600)				
	*1-910-035-79	LVDS 30P (TCOM-CN5000(BC))	(KDL-32D2600)				
	*1-910-035-80	LVDS 30P (TCOM-CN5000(BC))	(KDL-40D2600)				
	*1-910-035-82	CONNECTOR ASSY 12P (CN6401(BC)-CN301(H3)- CN401(H4))	(KDL-32D2600)				
	*1-910-035-83	CONNECTOR ASSY 12P (CN6401(BC)-CN301(H3)- CN401(H4))	(KDL-40D2600)				
	*1-910-036-43	CONNECTOR ASSY 8P (CN6204(G3)-CN6707(D1))	(KDL-40D2600)				
	*1-910-036-44	CONNECTOR ASSY 7P (BALANCER-CN6701(D1))	(KDL-40D2600)				
	*1-910-036-75	MULTI-CONNECTOR (CN6202(G3)-CN6203(G3)- CN6402(BC),CN6501(BC),CN6500(BC))	(KDL-40D2600)				
	1-769-175-21	ANTENNA CABLE					

