

SECTION 5 EXPLODED VIEWS

NOTE :

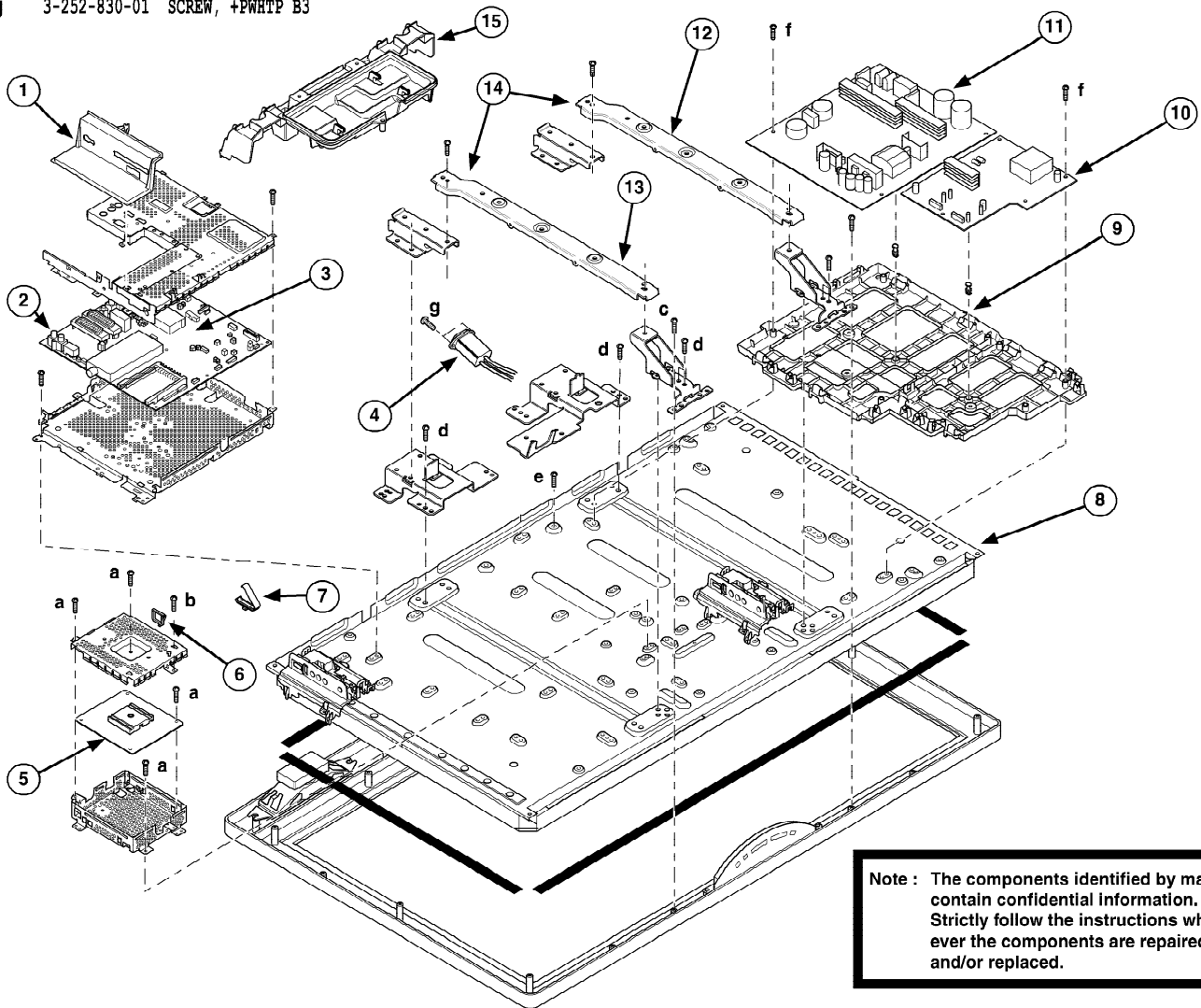
- Non-serviceable items with no part number and no description are not stocked because they are not required for routine service.
- The construction parts of an assembled part are indicated with a collation number in the remarks column.
- Items marked “*” are not stocked since they are seldom required for routine service. Some delay should be anticipated when ordering these items.

Note : Les composants identifiés par une trame et par une marque Δ sont d'une importance critique pour la sécurité. Ne les remplacer que par des pièces du numéro spécifique.

Note : The components identified by shading and marked Δ are critical for safety. Replace only with the part numbers specified in the parts list.

5-1. CHASSIS

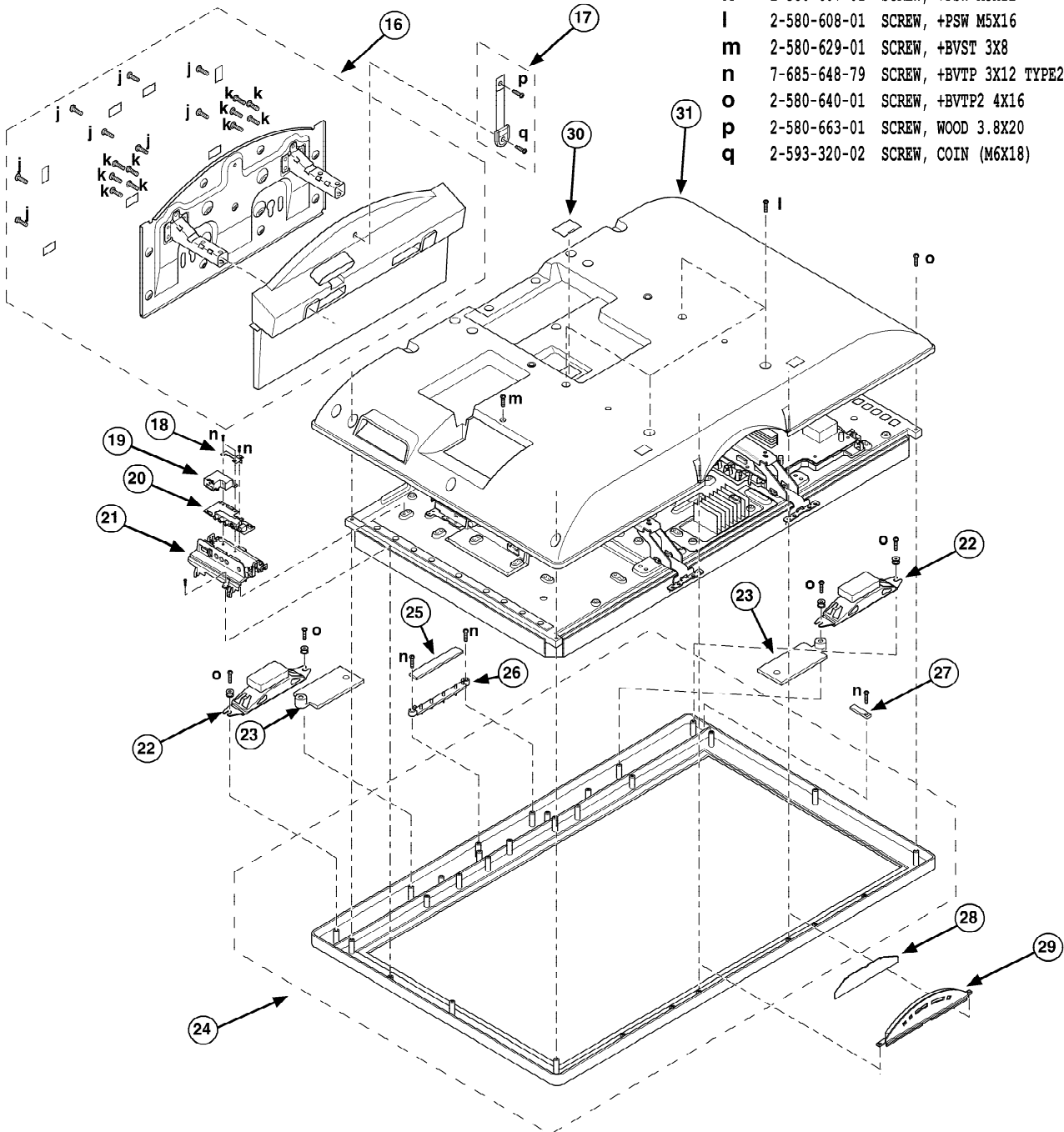
- a** 2-580-591-01 SCREW, +PSW M3X5
- b** 7-685-872-09 SCREW, +BVVT 3X8 (S)
- c** 2-580-640-01 SCREW, +BVTP2 4X16
- d** 2-580-606-01 SCREW, +PSW M5X8
- e** 2-580-600-01 SCREW, +PSW M4X8
- f** 2-674-965-41 SCREW, +PSW 3SG
- g** 3-252-830-01 SCREW, +PWHTP B3



Note : The components identified by mark Δ contain confidential information. Strictly follow the instructions when ever the components are repaired and/or replaced.

REF.NO.	PART.NO	DESCRIPTION	REMARK	REF.NO.	PART.NO	DESCRIPTION	REMARK
1	X-2178-328-1	SIDE, TERMINAL (AE) ASSY		9	*X-2178-424-1	BRACKET, G3 ASSY	KDL-40/46D3000
2	Δ *A-1248-400-A	BE1 BOARD, COMPLETE		10	*A-1236-526-A	D1 BOARD, COMPLETE	KDL-40D3000
3	8-597-613-00	TUNER UNIT DIGITAL BTD-HF401Z			*A-1236-529-A	D1 BOARD, COMPLETE	KDL-46D3000
4	Δ 1-819-729-14	INLET, AC (WITH NOISE FILTER)		11	*A-1267-275-A	G3 BOARD, COMPLETE	KDL-40/46D3000
5	*A-1236-653-A	BH BOARD, COMPLETE		12	*X-2177-260-1	VESA ARM (40) R ASSY	KDL-40D3000
6	2-650-770-11	SLIDE, CLAMP	VARIOUS POSITIONS		*X-2177-276-1	VESA ARM (46) R ASSY	KDL-46D3000
7	2-595-155-01	CLAMP		13	*X-2177-259-1	VESA ARM (40) L ASSY	KDL-40D3000
8	A-1249-742-A	LCD PANEL (32INCH WXGA TFT)	KDL-32D3000		*X-2177-275-1	VESA ARM (46) L ASSY	KDL-46D3000
	A-1249-741-A	LCD PANEL (40INCH WXGA TFT)	KDL-40D3000	14	*X-2177-257-1	VESA ARM (32) ASSY	KDL-32D3000
	A-1249-743-A	LCD PANEL (46INCH WXGA TFT)	KDL-46D3000	15	3-100-283-01	COVER, UNDER (M)	KDL-32D3000
					3-100-285-01	COVER, UNDER (L)	KDL-40/46D3000

5-2. REAR COVER, STAND & BEZEL



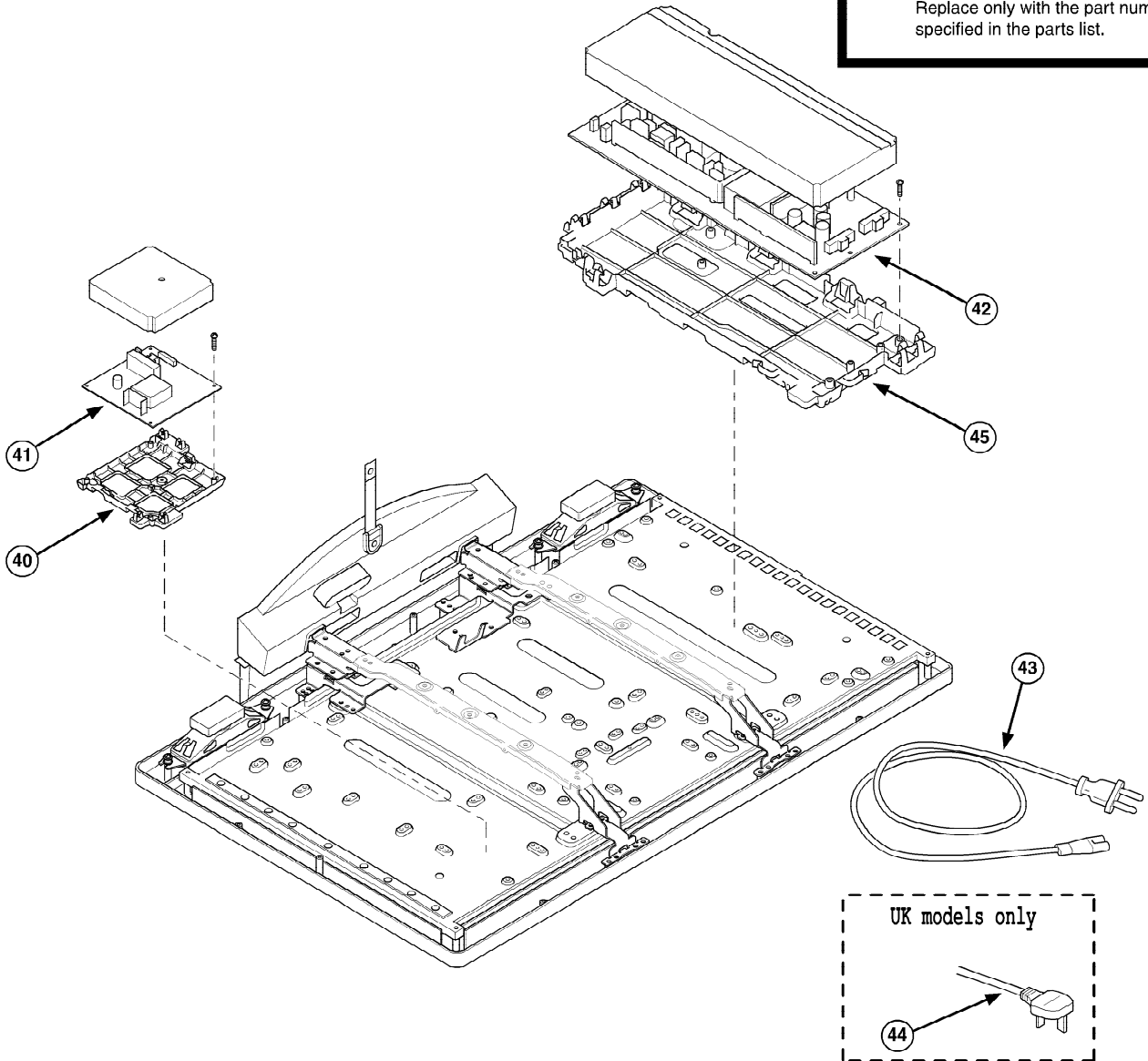
j	2-580-644-01	SCREW, +KTP2 3X8
k	2-580-607-01	SCREW, +PSW M5X12
l	2-580-608-01	SCREW, +PSW M5X16
m	2-580-629-01	SCREW, +BVST 3X8
n	7-685-648-79	SCREW, +BVTP 3X12 TYPE2 IT-3
o	2-580-640-01	SCREW, +BVTP2 4X16
p	2-580-663-01	SCREW, WOOD 3.8X20
q	2-593-320-02	SCREW, COIN (M6X18)

REF.NO.	PART.NO	DESCRIPTION	REMARK	REF.NO.	PART.NO	DESCRIPTION	REMARK
16	*X-2177-979-3	STAND (M-B) ASSY	KDL-32D3000	24	X-2176-647-1	BEZEL (32DE) ASSY	KDL-32D3000
	*X-2177-982-1	STAND (ML-B) ASSY	KDL-40D3000		X-2176-648-1	BEZEL (40DE) ASSY	KDL-40D3000
	*X-2177-985-2	STAND (L-B) ASSY	KDL-46D3000		X-2176-649-1	BEZEL (46DE) ASSY	KDL-46D3000
17	X-2102-511-2	BAG ASSY, RUDDER LOCK		25	*A-1220-319-A	H3 BOARD, COMPLETE	
18	3-099-995-01	PLATE, GROUND (M)	KDL-32/40D3000	26	3-096-949-01	GUIDE, LED (D)	
	3-099-996-01	PLATE, GROUND (L)	KDL-46D3000	27	*A-1220-320-A	H4 BOARD, COMPLETE	
19	3-094-403-01	SHIELD, HDMI (U2)		28	*A-1220-318-A	H1 BOARD, COMPLETE	
20	*A-1257-131-A	U2 BOARD, COMPLETE		29	X-2176-663-1	BUTTON, MULTI ASSY	
21	3-106-547-01	HOLDER, SIDE JACK (M)	KDL-32/40D3000	30	3-106-546-01	COVER, ECS	
	3-106-548-01	HOLDER, SIDE JACK (L)	KDL-46D3000	31	3-097-970-01	COVER, REAR (32)	KDL-32D3000
22	1-826-648-11	LOUDSPEAKER (4.2X15CM)	KDL-32D3000		3-097-989-01	COVER, REAR (40)	KDL-40D3000
	1-826-647-11	LOUDSPEAKER (5.5X15.5CM)	KDL-40D3000		3-094-469-11	COVER, REAR (46)	KDL-46D3000
	1-826-646-11	LOUDSPEAKER (13X7CM)	KDL-46D3000				
23	X-2176-952-1	BAFFLE (32E) ASSY	KDL-32D3000				
	X-2176-953-1	BAFFLE (40E) ASSY	KDL-40D3000				
	X-2176-954-1	BAFFLE (46E) ASSY	KDL-46D3000				

5-3. VESA ARM, POWER UNIT & POWER CORDS

Note : Les composants identifiés par une trame et par une marque Δ sont d'une importance critique pour la sécurité. Ne les remplacer que par des pièces du numéro spécifié.

Note : The components identified by shading and marked Δ are critical for safety. Replace only with the part numbers specified in the parts list.



REF.NO.	PART.NO	DESCRIPTION	REMARK	REF.NO.	PART.NO	DESCRIPTION	REMARK
40	*3-100-998-01	BRACKET, D2	KDL-46D3000				
41	*A-1236-532-A	D2 BOARD, COMPLETE	KDL-46D3000				
42	1-474-052-11	POWER UNIT	KDL-32D3000				
43	Δ 1-830-211-11	POWER-SUPPLY CORD SET	KDL-32D3000AEP				
	Δ 1-824-338-21	POWER-SUPPLY CORD FERRITE CORE	KDL-40/46D3000AEP				
44	Δ 1-830-210-11	POWER-SUPPLY CORD SET	KDL-32D3000UK				
	Δ 1-824-337-21	POWER-SUPPLY CORD FERRITE CORE	KDL-40/46D3000UK				
45	*3-100-996-01	BRACKET, G1	KDL-32D3000				

SECTION 6 ELECTRICAL PARTS LIST

PARTS LISTING TABLE OF CONTENTS

	Page
D1 BOARD COMMON Parts List :	Only fitted to 40" and 46" Models..... 116
D1 BOARD VARIANT Parts List :	Parts that belong only to the model specified
Model	
KDL-40D30XX 118
KDL-46D30XX 118
D2 BOARD COMPLETE Parts List :	Only fitted to 46" model..... 118
BH BOARD COMPLETE Parts List : 119
U2 BOARD COMPLETE Parts List : 125
BE1 BOARD COMPLETE Parts List : 127
G3 BOARD COMPLETE Parts List :	Only fitted to 40" and 46" Models..... 146
H1 BOARD COMPLETE Parts List : 150
H3 BOARD COMPLETE Parts List : 150
H4 BOARD COMPLETE Parts List : 151
MISCELLANEOUS : 151
ACCESSORIES AND CONNECTORS : 151
REMOTE COMMANDER : 152

Note : Items marked "*" are not stocked since they are seldom required for routine service. Some delay should be anticipated when ordering these items.
Parts indicated (XX) on the Schematic Diagram are not used in this model and therefore do not appear in the Parts List.

REF.NO.	PART.NO	DESCRIPTION	REMARK	REF.NO.	PART.NO	DESCRIPTION	REMARK
*A-1236-526-A D1 Board, Complete KDL-40D30XX				*A-1236-529-A D1 Board, Complete KDL-46D30XX			
Common Parts							
	4-382-854-11	SCREW (M3X10), P, SW (+)					
< CAPACITOR >							
C6601	1-162-964-11	CERAMIC CHIP 0.001UF	10.00% 50V	C6753	1-107-906-11	ELECT 10UF	20% 50V
C6602	1-162-964-11	CERAMIC CHIP 0.001UF	10.00% 50V	C6754	1-107-826-11	CERAMIC CHIP 0.1UF	10.00% 16V
C6604	1-115-339-11	CERAMIC CHIP 0.1UF	10.00% 50V	C6755	1-162-964-11	CERAMIC CHIP 0.001UF	10.00% 50V
C6609	1-107-826-11	CERAMIC CHIP 0.1UF	10.00% 16V	C6756	1-100-566-91	CERAMIC CHIP 0.1UF	10.00% 25V
C6612	1-119-891-51	CERAMIC 220PF	10.00% 250V	C6757	1-100-566-91	CERAMIC CHIP 0.1UF	10.00% 25V
C6700	1-100-566-91	CERAMIC CHIP 0.1UF	10.00% 25V	C6759	1-107-882-91	ELECT 100UF	20% 16V
C6701	1-100-566-91	CERAMIC CHIP 0.1UF	10.00% 25V	C6785	1-100-566-91	CERAMIC CHIP 0.1UF	10.00% 25V
C6702	1-100-566-91	CERAMIC CHIP 0.1UF	10.00% 25V	C6789	1-107-888-11	ELECT 47UF	20% 25V
C6703	1-100-566-91	CERAMIC CHIP 0.1UF	10.00% 25V	C6794	1-100-566-91	CERAMIC CHIP 0.1UF	10.00% 25V
C6706	1-162-970-11	CERAMIC CHIP 0.01UF	10.00% 25V	< CONNECTOR >			
C6707	1-162-970-11	CERAMIC CHIP 0.01UF	10.00% 25V	CN6600	*1-793-660-11	PIN, CONNECTOR (PC BOARD) 3P	
C6715	1-125-891-11	CERAMIC CHIP 0.47UF	10.00% 10V	CN6700	*1-821-072-11	HEADER ASSEMBLY FOR PWB 2P	
C6716	1-162-970-11	CERAMIC CHIP 0.01UF	5.00% 25V	CN6701	*1-785-704-11	PIN, CONNECTOR (PC BOARD) 7P	
C6717	1-164-217-11	CERAMIC CHIP 150PF	5.00% 50V	CN6707	*1-778-853-11	PIN, CONNECTOR (PC BOARD) 8P	
C6718	1-162-970-11	CERAMIC CHIP 0.01UF	10.00% 25V	< DIODE >			
C6719	1-164-315-11	CERAMIC CHIP 470PF	5.00% 50V	D6608	8-719-041-97	DIODE MA113-(TX)	
C6720	1-162-964-11	CERAMIC CHIP 0.001UF	10.00% 50V	D6609	8-719-041-97	DIODE MA113-(TX)	
C6721	1-165-908-11	CERAMIC CHIP 1UF	10% 10V	D6612	6-501-848-01	DIODE S3K60	
C6723	1-165-908-11	CERAMIC CHIP 1UF	10% 10V	D6613	6-501-848-01	DIODE S3K60	
C6724	1-127-804-91	CERAMIC CHIP 100PF	1% 50V	D6614	6-501-848-01	DIODE S3K60	
C6725	1-107-826-11	CERAMIC CHIP 0.1UF	10.00% 16V	D6615	6-501-848-01	DIODE S3K60	
C6726	1-127-573-11	CERAMIC CHIP 1UF	10% 16V	D6623	8-719-083-57	DIODE UDZSTE-173.6B	
C6727	1-165-908-11	CERAMIC CHIP 1UF	10% 10V	D6624	8-719-083-57	DIODE UDZSTE-173.6B	
C6728	1-162-970-11	CERAMIC CHIP 0.01UF	10.00% 25V	D6625	6-500-137-01	DIODE BAT54HT1	
C6729	1-107-882-91	ELECT 100UF	20% 16V	D6700	8-719-420-90	DIODE MA8051-M	
C6730	1-162-970-11	CERAMIC CHIP 0.01UF	10.00% 25V	D6701	8-719-420-90	DIODE MA8051-M	
C6731	1-162-964-11	CERAMIC CHIP 0.001UF	10.00% 50V	D6702	8-719-404-50	DIODE MA111-TX	
C6732	1-100-591-91	CERAMIC CHIP 1UF	10% 25V	D6703	8-719-404-50	DIODE MA111-TX	
C6735	1-165-176-11	CERAMIC CHIP 0.047UF	10.00% 16V	D6704	8-719-800-76	DIODE 1SS226	
C6738	1-165-908-11	CERAMIC CHIP 1UF	10% 10V	D6705	8-719-800-76	DIODE 1SS226	
C6739	1-162-970-11	CERAMIC CHIP 0.01UF	10.00% 25V	D6708	6-500-335-01	DIODE MC2838-T112-1	
C6740	1-107-882-91	ELECT 100UF	20% 16V	D6709	8-719-017-58	DIODE MA8068	
C6741	1-165-908-11	CERAMIC CHIP 1UF	10% 10V	D6710	8-719-017-58	DIODE MA8068	
C6742	1-100-566-91	CERAMIC CHIP 0.1UF	10.00% 25V	D6714	8-719-422-12	DIODE MA8039	
C6743	1-100-566-91	CERAMIC CHIP 0.1UF	10.00% 25V	D6715	8-719-422-12	DIODE MA8039	
C6744	1-100-566-91	CERAMIC CHIP 0.1UF	10.00% 25V	D6717	8-719-404-50	DIODE MA111-TX	
C6745	1-107-877-11	ELECT 1000UF	20% 10V	D6718	8-719-404-50	DIODE MA111-TX	
C6746	1-100-566-91	CERAMIC CHIP 0.1UF	10.00% 25V	ET6700	1-537-770-21	TERMINAL BOARD, GROUND	
C6747	1-100-566-91	CERAMIC CHIP 0.1UF	10.00% 25V	ET6701	1-537-770-21	TERMINAL BOARD, GROUND	
C6748	1-165-908-11	CERAMIC CHIP 1UF	10% 10V	< FERRITE BEAD >			
C6749	1-100-566-91	CERAMIC CHIP 0.1UF	10.00% 25V	FB6604	1-412-911-11	FERRITE 0UH	
C6750	1-162-970-11	CERAMIC CHIP 0.01UF	10.00% 25V	FB6605	1-412-911-11	FERRITE 0UH	
				FB6606	1-412-911-11	FERRITE 0UH	
				FB6607	1-412-911-11	FERRITE 0UH	
				FB6609	1-481-256-11	FERRITE 0UH	
				FB6610	1-410-396-41	FERRITE 0.45UH	

REF.NO.	PART.NO	DESCRIPTION	REMARK	REF.NO.	PART.NO	DESCRIPTION	REMARK
< IC >				R6614	1-216-793-11	METAL CHIP	4.7 5% 1/10W
IC6701	6-711-021-01	IC LX1692BIDW-TR		R6615	1-216-793-11	METAL CHIP	4.7 5% 1/10W
IC6702	6-708-762-01	IC PQ200WNA1ZPH		R6616	1-216-833-11	METAL CHIP	10K 5% 1/10W
IC6703	8-759-575-27	IC BA10339F-E2		R6617	1-216-833-11	METAL CHIP	10K 5% 1/10W
IC6704	6-709-368-01	IC MM1431ATT (CN)		R6626	1-216-864-11	SHORT CHIP	0
< COIL >				R6634	1-216-057-00	RES-CHIP	2.2K 5% 1/10W
L6600	1-406-977-21	INDUCTOR	100UH	R6635	1-216-057-00	RES-CHIP	2.2K 5% 1/10W
< TRANSISTOR >				R6700	1-216-793-11	METAL CHIP	4.7 5% 1/10W
Q6604	8-729-804-41	TRANSISTOR 2SB1122-S		R6701	1-216-793-11	METAL CHIP	4.7 5% 1/10W
Q6605	8-729-804-41	TRANSISTOR 2SB1122-S		R6702	1-216-793-11	METAL CHIP	4.7 5% 1/10W
Q6606	6-551-713-01	TRANSISTOR 2SK3569 (LBS1SONY.Q)		R6703	1-216-793-11	METAL CHIP	4.7 5% 1/10W
Q6607	6-551-713-01	TRANSISTOR 2SK3569 (LBS1SONY.Q)		R6704	1-216-793-11	METAL CHIP	4.7 5% 1/10W
Q6700	6-551-687-01	TRANSISTOR 3LP02C-TB-E		R6705	1-216-833-11	METAL CHIP	10K 5% 1/10W
Q6701	6-551-688-01	TRANSISTOR 3LN02C-TB-E		R6706	1-216-833-11	METAL CHIP	10K 5% 1/10W
Q6702	6-551-687-01	TRANSISTOR 3LP02C-TB-E		R6707	1-216-833-11	METAL CHIP	10K 5% 1/10W
Q6703	6-551-688-01	TRANSISTOR 3LN02C-TB-E		R6708	1-216-833-11	METAL CHIP	10K 5% 1/10W
Q6704	8-729-028-27	TRANSISTOR 2SK2009 (TE85L)		R6710	1-243-831-71	METAL OXIDE	12 5% 1W
Q6705	8-729-620-07	TRANSISTOR 2SC3052EF-T1-LEF		R6711	1-243-831-71	METAL OXIDE	12 5% 1W
Q6711	8-729-620-07	TRANSISTOR 2SC3052EF-T1-LEF		R6712	1-243-831-71	METAL OXIDE	12 5% 1W
Q6712	8-729-600-22	TRANSISTOR 2SA1235-F		R6713	1-243-831-71	METAL OXIDE	12 5% 1W
Q6714	8-729-600-22	TRANSISTOR 2SA1235-F		R6721	1-216-817-11	METAL CHIP	470 5% 1/10W
< RESISTOR >				R6722	1-218-897-11	METAL CHIP	120K 0.5% 1/10W
JR6700	1-216-296-11	SHORT CHIP	0	R6723	1-218-871-11	METAL CHIP	10K 0.5% 1/10W
JR6701	1-216-296-11	SHORT CHIP	0	R6724	1-216-864-11	SHORT CHIP	0
JR6702	1-216-296-11	SHORT CHIP	0	R6725	1-218-891-11	METAL CHIP	68K 0.5% 1/10W
JR6703	1-216-296-11	SHORT CHIP	0	R6727	1-216-841-11	METAL CHIP	47K 5% 1/10W
JR6704	1-216-296-11	SHORT CHIP	0	R6729	1-216-829-11	METAL CHIP	4.7K 5% 1/10W
JR6705	1-216-296-11	SHORT CHIP	0	R6730	1-216-829-11	METAL CHIP	4.7K 5% 1/10W
JR6706	1-216-296-11	SHORT CHIP	0	R6731	1-216-837-11	METAL CHIP	22K 5% 1/10W
JR6707	1-216-296-11	SHORT CHIP	0	R6733	1-218-863-11	METAL CHIP	4.7K 0.5% 1/10W
JR6709	1-216-296-11	SHORT CHIP	0	R6734	1-216-833-11	METAL CHIP	10K 5% 1/10W
JR6714	1-216-296-11	SHORT CHIP	0	R6736	1-218-885-11	METAL CHIP	39K 0.5% 1/10W
JR6717	1-216-864-11	SHORT CHIP	0	R6737	1-216-821-11	METAL CHIP	1K 5% 1/10W
JR6718	1-216-864-11	SHORT CHIP	0	R6739	1-216-864-11	SHORT CHIP	0
JR6719	1-216-296-11	SHORT CHIP	0	R6750	1-218-895-11	METAL CHIP	100K 0.5% 1/10W
JR6721	1-216-296-11	SHORT CHIP	0	R6751	1-218-871-11	METAL CHIP	10K 0.5% 1/10W
JR6724	1-216-296-11	SHORT CHIP	0	R6752	1-211-983-11	METAL CHIP	39 0.5% 1/10W
JR6725	1-216-864-11	SHORT CHIP	0	R6754	1-211-983-11	METAL CHIP	39 0.5% 1/10W
JR6726	1-216-296-11	SHORT CHIP	0	R6755	1-216-861-11	METAL CHIP	2.2M 5% 1/10W
JR6727	1-216-864-11	SHORT CHIP	0	R6756	1-211-983-11	METAL CHIP	39 0.5% 1/10W
R6609	1-216-857-11	METAL CHIP	1M 5% 1/10W	R6757	1-216-833-11	METAL CHIP	10K 5% 1/10W
R6610	1-216-057-00	RES-CHIP	2.2K 5% 1/10W	R6758	1-211-983-11	METAL CHIP	39 0.5% 1/10W
R6611	1-216-057-00	RES-CHIP	2.2K 5% 1/10W	R6760	1-218-854-11	METAL CHIP	2K 0.5% 1/10W
R6612	1-249-403-11	CARBON	68 5% 1/4W	R6761	1-218-853-11	METAL CHIP	1.8K 0.5% 1/10W
R6613	1-249-403-11	CARBON	68 5% 1/4W	R6763	1-218-863-11	METAL CHIP	4.7K 0.5% 1/10W
R6614	1-216-793-11	METAL CHIP	4.7 5% 1/10W	R6766	1-216-864-11	SHORT CHIP	0
R6615	1-216-793-11	METAL CHIP	4.7 5% 1/10W	R6770	1-218-863-11	METAL CHIP	4.7K 0.5% 1/10W
R6616	1-216-833-11	METAL CHIP	10K 5% 1/10W	R6771	1-218-871-11	METAL CHIP	10K 0.5% 1/10W
R6617	1-216-833-11	METAL CHIP	10K 5% 1/10W	R6772	1-218-871-11	METAL CHIP	10K 0.5% 1/10W
R6626	1-216-864-11	SHORT CHIP	0	R6773	1-216-833-11	METAL CHIP	10K 5% 1/10W

REF.NO.	PART.NO	DESCRIPTION	REMARK
R6775	1-216-845-11	METAL CHIP 100K 5%	1/10W
R6776	1-218-847-11	METAL CHIP 1K 0.5%	1/10W
R6778	1-216-864-11	SHORT CHIP	0
R6779	1-218-871-11	METAL CHIP 10K 0.5%	1/10W
R6780	1-216-864-11	SHORT CHIP	0
R6782	1-218-887-11	METAL CHIP 47K 0.5%	1/10W
R6783	1-218-895-11	METAL CHIP 100K 0.5%	1/10W
R6786	1-216-829-11	METAL CHIP 4.7K 5%	1/10W
R6787	1-216-817-11	METAL CHIP 470 5%	1/10W
R6788	1-216-864-11	SHORT CHIP	0
R6789	1-218-887-11	METAL CHIP 47K 0.5%	1/10W
R6790	1-218-883-11	METAL CHIP 33K 0.5%	1/10W
R6792	1-218-885-11	METAL CHIP 39K 0.5%	1/10W
R6793	1-216-833-11	METAL CHIP 10K 5%	1/10W
R6794	1-218-871-11	METAL CHIP 10K 0.5%	1/10W
R6795	1-216-841-11	METAL CHIP 47K 5%	1/10W
R6802	1-218-887-11	METAL CHIP 47K 0.5%	1/10W
R6804	1-249-381-11	CARBON 1 5%	1/4W
R6805	1-216-793-11	METAL CHIP 4.7 5%	1/10W
R6806	1-216-864-11	SHORT CHIP	0
R6807	1-216-864-11	SHORT CHIP	0
R6809	1-216-825-11	METAL CHIP 2.2K 5%	1/10W
R6810	1-218-875-11	METAL CHIP 15K 0.5%	1/10W
R6811	1-218-901-11	METAL CHIP 180K 0.5%	1/10W
R6816	1-216-864-11	SHORT CHIP	0
R6819	1-216-864-11	SHORT CHIP	0
R6823	1-216-864-11	SHORT CHIP	0
R6824	1-216-864-11	SHORT CHIP	0
R6909	1-216-821-11	METAL CHIP 1K 5%	1/10W

< TRANSFORMER >

T6800 1-445-237-11 TRANSFORMER, DRIVE

D1 Board, Variant Parts KDL-40D30XX

< CAPACITOR >

C6600	1-165-794-21	MYLAR 1UF	10%	450V
C6606	1-165-794-21	MYLAR 1UF	10%	450V
C6709	1-112-737-11	CERAMIC 27PF	5%	6.3KV
C6710	1-162-967-11	CERAMIC CHIP 0.0033UF	10.00%	50V
C6711	1-104-512-11	CERAMIC 22PF	5%	6.3KV
C6712	1-162-979-11	CERAMIC CHIP 0.0027UF	10.00%	50V
C6751	NOT FITTED			
C6752	NOT FITTED			
C6758	NOT FITTED			

< CONNECTOR >

CN6704 NOT FITTED

REF.NO.	PART.NO	DESCRIPTION	REMARK
< RESISTOR >			
R6714	1-216-829-11	METAL CHIP 4.7K 5%	1/10W
R6715	1-216-837-11	METAL CHIP 22K 5%	1/10W
R6716	1-216-825-11	METAL CHIP 2.2K 5%	1/10W
R6732	1-218-893-11	METAL CHIP 82K 0.5%	1/10W
R6762	1-211-983-11	METAL CHIP 39 0.5%	1/10W
R6764	1-211-985-11	METAL CHIP 47 0.5%	1/10W
R6768	1-211-985-11	METAL CHIP 47 0.5%	1/10W
R6808	NOT FITTED		

< TRANSFORMER >

T6801 8-597-054-00 TRANSFORMER, HIGH-VOLTAGE INSU

D1 Board, Variant Parts KDL-46D30XX

< CAPACITOR >

C6600	1-112-744-61	MYLAR 1UF	10%	450V
C6606	1-112-744-61	MYLAR 1UF	10%	450V
C6709	1-112-736-11	CERAMIC 15PF	5%	6.3KV
C6710	1-162-968-11	CERAMIC CHIP 0.0047UF	10.00%	50V
C6711	1-112-736-11	CERAMIC 15PF	5%	6.3KV
C6712	1-162-968-11	CERAMIC CHIP 0.0047UF	10.00%	50V
C6751	1-162-927-11	CERAMIC CHIP 100PF	5.00%	50V
C6752	1-162-927-11	CERAMIC CHIP 100PF	5.00%	50V
C6758	1-100-566-91	CERAMIC CHIP 0.1UF	10.00%	25V

< CONNECTOR >

CN6704 *1-793-235-11 PIN, CONNECTOR (PC BOARD) 13P

< RESISTOR >

R6714	1-218-853-11	METAL CHIP 1.8K 0.5%	1/10W
R6715	1-218-855-11	METAL CHIP 2.2K 0.5%	1/10W
R6716	1-218-855-11	METAL CHIP 2.2K 0.5%	1/10W
R6732	1-218-889-11	METAL CHIP 56K 0.5%	1/10W
R6762	1-211-985-11	METAL CHIP 47 0.5%	1/10W
R6764	NOT FITTED		
R6768	NOT FITTED		
R6808	1-218-446-11	METAL CHIP 1 5%	1/10W

< TRANSFORMER >

T6801 8-597-055-00 TRANSFORMER, HIGH-VOLTAGE INSU

***A-1236-532-A D2 Board Complete KDL-46D30XX**

4-382-854-11 SCREW (M3X10), P, SW (+)

< CAPACITOR >

C6900	1-112-744-61	MYLAR 1UF	10%	450V
C6903	1-162-964-11	CERAMIC CHIP 0.001UF	10.00%	50V
C6904	1-162-964-11	CERAMIC CHIP 0.001UF	10.00%	50V



REF.NO.	PART.NO	DESCRIPTION	REMARK	REF.NO.	PART.NO	DESCRIPTION	REMARK
A8601	1-694-974-21	CONTACT TERMINAL		C8159	1-162-922-11	CERAMIC CHIP 39PF	5.00% 50V
A8603	1-694-974-21	CONTACT TERMINAL		C8160	1-126-391-11	ELECT CHIP 47UF	20.00% 6.3V
A8604	1-694-974-21	CONTACT TERMINAL		C8161	1-100-566-91	CERAMIC CHIP 0.1UF	10.00% 25V
		< CAPACITOR >		C8166	1-112-066-11	CERAMIC CHIP 10UF	10% 10V
				C8167	1-100-906-11	CERAMIC CHIP 0.01UF	10% 16V
C8012	1-100-566-91	CERAMIC CHIP 0.1UF	10.00% 25V	C8168	1-162-925-11	CERAMIC CHIP 68PF	5.00% 50V
C8013	1-100-906-11	CERAMIC CHIP 0.01UF	10% 16V	C8174	1-112-066-11	CERAMIC CHIP 10UF	10% 10V
C8015	1-100-911-11	CERAMIC CHIP 4.7UF	10% 25V	C8175	1-100-912-11	CERAMIC CHIP 1UF	10% 25V
C8016	1-100-907-11	CERAMIC CHIP 0.1UF	10% 10V	C8176	1-112-064-11	CERAMIC CHIP 2.2UF	10% 10V
C8019	1-100-906-11	CERAMIC CHIP 0.01UF	10% 16V	C8401	1-100-907-11	CERAMIC CHIP 0.1UF	10% 10V
C8020	1-100-906-11	CERAMIC CHIP 0.01UF	10% 16V	C8402	1-100-907-11	CERAMIC CHIP 0.1UF	10% 10V
C8101	1-100-906-11	CERAMIC CHIP 0.01UF	10% 16V	C8403	1-100-906-11	CERAMIC CHIP 0.01UF	10% 16V
C8102	1-100-906-11	CERAMIC CHIP 0.01UF	10% 16V	C8404	1-100-907-11	CERAMIC CHIP 0.1UF	10% 10V
C8106	1-100-906-11	CERAMIC CHIP 0.01UF	10% 16V	C8406	1-100-907-11	CERAMIC CHIP 0.1UF	10% 10V
C8107	1-162-927-11	CERAMIC CHIP 100PF	5.00% 50V	C8409	1-164-874-11	CERAMIC CHIP 100PF	5.00% 50V
C8108	1-100-906-11	CERAMIC CHIP 0.01UF	10% 16V	C8410	1-164-874-11	CERAMIC CHIP 100PF	5.00% 50V
C8109	1-162-928-11	CERAMIC CHIP 120PF	5.00% 50V	C8417	1-100-909-11	CERAMIC CHIP 10UF	10% 6.3V
C8110	1-100-911-11	CERAMIC CHIP 4.7UF	10% 25V	C8418	1-100-909-11	CERAMIC CHIP 10UF	10% 6.3V
C8112	1-100-911-11	CERAMIC CHIP 4.7UF	10% 25V	C8419	1-100-906-11	CERAMIC CHIP 0.01UF	10% 16V
C8114	1-115-414-11	CERAMIC CHIP 820PF	5.00% 25V	C8420	1-100-906-11	CERAMIC CHIP 0.01UF	10% 16V
C8115	1-115-412-11	CERAMIC CHIP 680PF	5.00% 25V	C8421	1-100-906-11	CERAMIC CHIP 0.01UF	10% 16V
C8116	1-164-245-11	CERAMIC CHIP 0.015UF	10.00% 25V	C8422	1-100-906-11	CERAMIC CHIP 0.01UF	10% 16V
C8117	1-164-245-11	CERAMIC CHIP 0.015UF	10.00% 25V	C8423	1-100-906-11	CERAMIC CHIP 0.01UF	10% 16V
C8118	1-100-912-11	CERAMIC CHIP 1UF	10% 25V	C8427	1-100-906-11	CERAMIC CHIP 0.01UF	10% 16V
C8119	1-100-912-11	CERAMIC CHIP 1UF	10% 25V	C8428	1-100-906-11	CERAMIC CHIP 0.01UF	10% 16V
C8120	1-100-566-91	CERAMIC CHIP 0.1UF	10.00% 25V	C8430	1-100-906-11	CERAMIC CHIP 0.01UF	10% 16V
C8121	1-100-566-91	CERAMIC CHIP 0.1UF	10.00% 25V	C8431	1-100-906-11	CERAMIC CHIP 0.01UF	10% 16V
C8122	1-100-912-11	CERAMIC CHIP 1UF	10% 25V	C8432	1-100-906-11	CERAMIC CHIP 0.01UF	10% 16V
C8123	1-100-912-11	CERAMIC CHIP 1UF	10% 25V	C8433	1-100-906-11	CERAMIC CHIP 0.01UF	10% 16V
C8124	1-100-906-11	CERAMIC CHIP 0.01UF	10% 16V	C8434	1-100-906-11	CERAMIC CHIP 0.01UF	10% 16V
C8125	1-100-906-11	CERAMIC CHIP 0.01UF	10% 16V	C8435	1-100-906-11	CERAMIC CHIP 0.01UF	10% 16V
C8126	1-112-066-11	CERAMIC CHIP 10UF	10% 10V	C8436	1-100-906-11	CERAMIC CHIP 0.01UF	10% 16V
C8128	1-100-907-11	CERAMIC CHIP 0.1UF	10% 10V	C8438	1-100-906-11	CERAMIC CHIP 0.01UF	10% 16V
C8129	1-100-911-11	CERAMIC CHIP 4.7UF	10% 25V	C8439	1-100-906-11	CERAMIC CHIP 0.01UF	10% 16V
C8130	1-100-907-11	CERAMIC CHIP 0.1UF	10% 10V	C8440	1-100-906-11	CERAMIC CHIP 0.01UF	10% 16V
C8131	1-112-066-11	CERAMIC CHIP 10UF	10% 10V	C8441	1-100-906-11	CERAMIC CHIP 0.01UF	10% 16V
C8132	1-112-066-11	CERAMIC CHIP 10UF	10% 10V	C8442	1-100-906-11	CERAMIC CHIP 0.01UF	10% 16V
C8133	1-164-230-11	CERAMIC CHIP 220PF	5.00% 50V	C8443	1-100-906-11	CERAMIC CHIP 0.01UF	10% 16V
C8134	1-164-245-11	CERAMIC CHIP 0.015UF	10.00% 25V	C8444	1-100-906-11	CERAMIC CHIP 0.01UF	10% 16V
C8135	1-100-906-11	CERAMIC CHIP 0.01UF	10% 16V	C8445	1-100-907-11	CERAMIC CHIP 0.1UF	10% 10V
C8137	1-115-412-11	CERAMIC CHIP 680PF	5.00% 25V	C8446	1-100-906-11	CERAMIC CHIP 0.01UF	10% 16V
C8138	1-100-911-11	CERAMIC CHIP 4.7UF	10% 25V	C8447	1-100-906-11	CERAMIC CHIP 0.01UF	10% 16V
C8139	1-100-907-11	CERAMIC CHIP 0.1UF	10% 10V	C8448	1-100-907-11	CERAMIC CHIP 0.1UF	10% 10V
C8140	1-164-245-11	CERAMIC CHIP 0.015UF	10.00% 25V	C8449	1-100-906-11	CERAMIC CHIP 0.01UF	10% 16V
C8141	1-100-907-11	CERAMIC CHIP 0.1UF	10% 10V	C8450	1-100-906-11	CERAMIC CHIP 0.01UF	10% 16V
C8142	1-100-906-11	CERAMIC CHIP 0.01UF	10% 16V	C8451	1-100-906-11	CERAMIC CHIP 0.01UF	10% 16V
C8144	1-100-906-11	CERAMIC CHIP 0.01UF	10% 16V	C8452	1-100-906-11	CERAMIC CHIP 0.01UF	10% 16V
C8154	1-100-907-11	CERAMIC CHIP 0.1UF	10% 10V	C8453	1-100-906-11	CERAMIC CHIP 0.01UF	10% 16V
C8156	1-162-970-11	CERAMIC CHIP 0.01UF	10.00% 25V	C8454	1-100-906-11	CERAMIC CHIP 0.01UF	10% 16V
C8158	1-100-906-11	CERAMIC CHIP 0.01UF	10% 16V	C8455	1-100-906-11	CERAMIC CHIP 0.01UF	10% 16V

Note : The components identified by shading and marked Δ are critical for safety. Replace only with the part numbers specified in the parts list.




REF.NO.	PART.NO	DESCRIPTION	REMARK	REF.NO.	PART.NO	DESCRIPTION	REMARK
C9057	1-100-905-11	CERAMIC CHIP 0.001UF	10% 50V			< CONNECTOR >	
C9058	1-100-906-11	CERAMIC CHIP 0.01UF	10% 16V				
C9059	1-100-906-11	CERAMIC CHIP 0.01UF	10% 16V	CN8001	*1-820-506-11	HEADER ASSEMBLY FOR PWB 51P	
C9060	1-100-907-11	CERAMIC CHIP 0.1UF	10% 10V	CN8007	*1-820-506-11	HEADER ASSEMBLY FOR PWB 51P	
C9061	1-100-907-11	CERAMIC CHIP 0.1UF	10% 10V			< DIODE >	
C9062	1-100-909-11	CERAMIC CHIP 10UF	10% 6.3V				
C9063	1-100-909-11	CERAMIC CHIP 10UF	10% 6.3V	D8004	8-719-050-38	DIODE M1MA152WK-T1	
C9064	1-100-907-11	CERAMIC CHIP 0.1UF	10% 10V	D8005	8-719-050-38	DIODE M1MA152WK-T1	
C9065	1-100-905-11	CERAMIC CHIP 0.001UF	10% 50V	D8006	8-719-083-57	DIODE UDZSTE-173.6B	
C9066	1-100-907-11	CERAMIC CHIP 0.1UF	10% 10V	D8007	8-719-050-38	DIODE M1MA152WK-T1	
C9067	1-100-905-11	CERAMIC CHIP 0.001UF	10% 50V	D8008	8-719-050-38	DIODE M1MA152WK-T1	
C9068	1-100-907-11	CERAMIC CHIP 0.1UF	10% 10V	D8104	8-719-073-69	DIODE PTZ-TE25-6.2A	
C9069	1-100-905-11	CERAMIC CHIP 0.001UF	10% 50V	D8106	6-500-294-01	DIODE PTZ-TE25-3.9B	
C9070	1-100-907-11	CERAMIC CHIP 0.1UF	10% 10V	D8107	6-500-294-01	DIODE PTZ-TE25-3.9B	
C9071	1-100-905-11	CERAMIC CHIP 0.001UF	10% 50V				
C9072	1-100-907-11	CERAMIC CHIP 0.1UF	10% 10V	ET8001	1-780-482-11	EARTH TERMINAL	
C9073	1-100-905-11	CERAMIC CHIP 0.001UF	10% 50V	ET8002	1-780-482-11	EARTH TERMINAL	
C9074	1-100-907-11	CERAMIC CHIP 0.1UF	10% 10V	ET8003	1-780-482-11	EARTH TERMINAL	
C9075	1-100-905-11	CERAMIC CHIP 0.001UF	10% 50V	ET8004	1-780-482-11	EARTH TERMINAL	
C9076	1-100-907-11	CERAMIC CHIP 0.1UF	10% 10V			< FUSE >	
C9077	1-100-905-11	CERAMIC CHIP 0.001UF	10% 50V	F8101	Δ 1-576-603-21	FUSE 3.15A 24V	
C9078	1-100-907-11	CERAMIC CHIP 0.1UF	10% 10V	F8102	Δ 1-576-603-21	FUSE 3.15A 24V	
C9079	1-100-905-11	CERAMIC CHIP 0.001UF	10% 50V			< FERRITE BEAD >	
C9080	1-100-907-11	CERAMIC CHIP 0.1UF	10% 10V				
C9081	1-100-905-11	CERAMIC CHIP 0.001UF	10% 50V	FB8105	1-469-379-11	FERRITE 0UH	
C9082	1-100-906-11	CERAMIC CHIP 0.01UF	10% 16V	FB8107	1-469-379-11	FERRITE 0UH	
C9083	1-100-907-11	CERAMIC CHIP 0.1UF	10% 10V	FB8401	1-469-379-11	FERRITE 0UH	
C9084	1-100-905-11	CERAMIC CHIP 0.001UF	10% 50V	FB8402	1-469-379-11	FERRITE 0UH	
C9085	1-100-907-11	CERAMIC CHIP 0.1UF	10% 10V	FB8403	1-469-379-11	FERRITE 0UH	
C9086	1-100-907-11	CERAMIC CHIP 0.1UF	10% 10V	FB8404	1-469-379-11	FERRITE 0UH	
C9087	1-100-905-11	CERAMIC CHIP 0.001UF	10% 50V	FB8405	1-469-379-11	FERRITE 0UH	
C9088	1-100-907-11	CERAMIC CHIP 0.1UF	10% 10V	FB8406	1-469-379-11	FERRITE 0UH	
C9089	1-100-905-11	CERAMIC CHIP 0.001UF	10% 50V	FB9001	1-469-379-11	FERRITE 0UH	
C9090	1-100-907-11	CERAMIC CHIP 0.1UF	10% 10V	FB9002	1-414-445-11	FERRITE 0UH	
C9091	1-100-905-11	CERAMIC CHIP 0.001UF	10% 50V	FB9003	1-414-445-11	FERRITE 0UH	
C9092	1-100-909-11	CERAMIC CHIP 10UF	10% 6.3V	FB9004	1-469-379-11	FERRITE 0UH	
C9093	1-100-909-11	CERAMIC CHIP 10UF	10% 6.3V	FB9005	1-414-445-11	FERRITE 0UH	
C9094	1-100-907-11	CERAMIC CHIP 0.1UF	10% 10V	FB9006	1-414-445-11	FERRITE 0UH	
C9095	1-100-907-11	CERAMIC CHIP 0.1UF	10% 10V	FB9705	1-469-379-11	FERRITE 0UH	
C9096	1-100-906-11	CERAMIC CHIP 0.01UF	10% 16V	FB9707	1-469-775-21	FERRITE 0UH	
C9097	1-100-906-11	CERAMIC CHIP 0.01UF	10% 16V	FB9708	1-469-775-21	FERRITE 0UH	
C9098	1-100-907-11	CERAMIC CHIP 0.1UF	10% 10V			< IC >	
C9500	1-100-905-11	CERAMIC CHIP 0.001UF	10% 50V	IC8101	6-710-922-01	IC BD9853AFV-E2	
C9712	1-100-907-11	CERAMIC CHIP 0.1UF	10% 10V	IC8102	6-710-922-01	IC BD9853AFV-E2	
C9713	1-100-909-11	CERAMIC CHIP 10UF	10% 6.3V	IC8104	6-710-921-01	IC NJM2877F3-15 (TE2)	
C9718	1-100-566-91	CERAMIC CHIP 0.1UF	10.00% 25V	IC8105	6-706-815-01	IC TMP75AIDR	
C9725	1-100-566-91	CERAMIC CHIP 0.1UF	10.00% 25V	IC8106	6-708-762-01	IC PQ200WNA1ZPH	
C9727	1-112-064-11	CERAMIC CHIP 2.2UF	10% 10V	IC8401	6-710-089-01	IC K4D263238I-VC50T	
C9728	1-100-912-11	CERAMIC CHIP 1UF	10% 25V				

REF.NO.	PART.NO	DESCRIPTION	REMARK	REF.NO.	PART.NO	DESCRIPTION	REMARK
IC8402	6-707-373-01	IC TPS51100DGQR		R8012	1-216-864-11	SHORT CHIP	0
IC8403	6-710-089-01	IC K4D263238I-VC50T		R8013	1-216-864-11	SHORT CHIP	0
IC9001	6-710-908-01	IC CXD9888GG		R8021	1-218-990-81	SHORT CHIP	0
IC9706	6-709-456-01	IC PCF8574APWR		R8022	1-218-990-81	SHORT CHIP	0
IC9707	6-710-909-01	IC NJM12901V-TE2		R8023	1-218-965-11	RES-CHIP	10K 5% 1/16W
< COIL >				R8024	1-218-977-11	RES-CHIP	100K 5% 1/16W
L8001	1-457-439-11	INDUCTOR	4.7UH	R8025	1-218-965-11	RES-CHIP	10K 5% 1/16W
L8103	1-457-195-11	INDUCTOR	4.7UH	R8026	1-218-990-81	SHORT CHIP	0
L8104	1-457-195-11	INDUCTOR	4.7UH	R8037	1-218-990-81	SHORT CHIP	0
L8105	1-457-428-11	INDUCTOR	4.7UH	R8038	1-218-990-81	SHORT CHIP	0
L8106	1-481-248-11	INDUCTOR	4.7UH	R8039	1-218-990-81	SHORT CHIP	0
L9500	1-456-583-11	INDUCTOR	0UH	R8040	1-216-295-91	SHORT CHIP	0
L9501	1-456-583-11	INDUCTOR	0UH	R8041	1-216-295-91	SHORT CHIP	0
L9502	1-456-583-11	INDUCTOR	0UH	R8042	1-216-295-91	SHORT CHIP	0
L9503	1-456-583-11	INDUCTOR	0UH	R8043	1-216-295-91	SHORT CHIP	0
L9504	1-456-583-11	INDUCTOR	0UH	R8044	1-216-295-91	SHORT CHIP	0
L9505	1-456-583-11	INDUCTOR	0UH	R8045	1-216-295-91	SHORT CHIP	0
L9506	1-456-583-11	INDUCTOR	0UH	R8046	1-218-990-81	SHORT CHIP	0
L9507	1-456-583-11	INDUCTOR	0UH	R8047	1-218-990-81	SHORT CHIP	0
L9508	1-456-583-11	INDUCTOR	0UH	R8101	1-216-864-11	SHORT CHIP	0
L9509	1-456-583-11	INDUCTOR	0UH	R8103	1-216-864-11	SHORT CHIP	0
L9510	1-456-583-11	INDUCTOR	0UH	R8104	1-208-695-11	METAL CHIP	3.3K 0.5% 1/16W
L9511	1-456-583-11	INDUCTOR	0UH	R8106	1-216-864-11	SHORT CHIP	0
< TRANSISTOR >				R8107	1-216-864-11	SHORT CHIP	0
Q8001	6-551-382-01	TRANSISTOR RSS040P03FD5TB		R8110	1-208-911-11	METAL CHIP	10K 0.5% 1/16W
Q8002	8-729-120-28	TRANSISTOR 2SC1623-L5L6		R8111	1-218-990-81	SHORT CHIP	0
Q8008	8-729-620-13	TRANSISTOR 2SC4154TP-1EF		R8113	1-208-911-11	METAL CHIP	10K 0.5% 1/16W
Q8009	8-729-907-00	TRANSISTOR DTC114EU		R8114	1-208-911-11	METAL CHIP	10K 0.5% 1/16W
Q8013	8-729-120-28	TRANSISTOR 2SC1623-L5L6		R8115	1-218-990-81	SHORT CHIP	0
Q8014	8-729-620-13	TRANSISTOR 2SC4154TP-1EF		R8116	1-208-715-11	METAL CHIP	22K 0.5% 1/16W
Q8101	6-551-382-01	TRANSISTOR RSS040P03FD5TB		R8117	1-208-929-81	METAL CHIP	56K 0.5% 1/16W
Q8102	6-550-355-01	TRANSISTOR RTQ045N03TR		R8118	1-208-931-11	METAL CHIP	68K 0.5% 1/16W
Q8103	6-551-460-01	TRANSISTOR RSR025P03TL		R8119	1-218-990-81	SHORT CHIP	0
Q8104	6-551-382-01	TRANSISTOR RSS040P03FD5TB		R8120	1-208-715-11	METAL CHIP	22K 0.5% 1/16W
Q8105	6-551-123-01	TRANSISTOR RSS065N03FU7TB		R8121	1-208-935-11	METAL CHIP	100K 0.5% 1/16W
Q8106	6-551-460-01	TRANSISTOR RSR025P03TL		R8122	1-208-721-11	METAL CHIP	39K 0.5% 1/16W
Q8107	6-550-718-01	TRANSISTOR RSR025N03TL		R8123	1-208-909-11	METAL CHIP	8.2K 0.5% 1/16W
Q8108	6-551-123-01	TRANSISTOR RSS065N03FU7TB		R8124	1-208-911-11	METAL CHIP	10K 0.5% 1/16W
Q8111	8-729-905-35	TRANSISTOR 2SC4081-R		R8127	1-218-990-81	SHORT CHIP	0
Q8112	8-729-029-14	TRANSISTOR DTC144EUA-T106		R8128	1-218-990-81	SHORT CHIP	0
< RESISTOR >				R8129	1-218-990-81	SHORT CHIP	0
R8007	1-216-864-11	SHORT CHIP	0	R8130	1-218-990-81	SHORT CHIP	0
R8008	1-218-871-11	METAL CHIP	10K 0.5% 1/10W	R8131	1-218-990-81	SHORT CHIP	0
R8009	1-216-833-11	METAL CHIP	10K 5% 1/10W	R8132	1-218-990-81	SHORT CHIP	0
R8010	1-218-871-11	METAL CHIP	10K 0.5% 1/10W	R8133	1-218-990-81	SHORT CHIP	0
R8011	1-218-871-11	METAL CHIP	10K 0.5% 1/10W	R8134	1-208-909-11	METAL CHIP	8.2K 0.5% 1/16W
				R8135	1-218-990-81	SHORT CHIP	0
				R8136	1-208-909-11	METAL CHIP	8.2K 0.5% 1/16W
				R8137	1-218-990-81	SHORT CHIP	0
				R8138	1-218-990-81	SHORT CHIP	0




REF.NO.	PART.NO	DESCRIPTION	REMARK			REF.NO.	PART.NO	DESCRIPTION	REMARK		
R8142	1-218-965-11	RES-CHIP	10K	5%	1/16W	R8432	1-218-937-11	RES-CHIP	47	5%	1/16W
R8144	1-218-965-11	RES-CHIP	10K	5%	1/16W	R8433	1-218-937-11	RES-CHIP	47	5%	1/16W
R8145	1-208-939-11	METAL CHIP	150K	0.5%	1/16W	R8435	1-218-937-11	RES-CHIP	47	5%	1/16W
R8146	1-208-695-11	METAL CHIP	3.3K	0.5%	1/16W	R8437	1-218-937-11	RES-CHIP	47	5%	1/16W
R8147	1-218-990-81	SHORT CHIP	0			R8439	1-218-937-11	RES-CHIP	47	5%	1/16W
R8148	1-208-923-11	METAL CHIP	33K	0.5%	1/16W	R8441	1-218-937-11	RES-CHIP	47	5%	1/16W
R8149	1-208-927-11	METAL CHIP	47K	0.5%	1/16W	R8442	1-218-990-81	SHORT CHIP	0		
R8150	1-208-711-11	METAL CHIP	15K	0.5%	1/16W	R8444	1-218-957-11	RES-CHIP	2.2K	5%	1/16W
R8151	1-216-864-11	SHORT CHIP	0			R8452	1-216-864-11	SHORT CHIP	0		
R8152	1-216-864-11	SHORT CHIP	0			R8453	1-216-864-11	SHORT CHIP	0		
R8153	1-218-990-81	SHORT CHIP	0			R8454	1-216-295-91	SHORT CHIP	0		
R8154	1-208-935-11	METAL CHIP	100K	0.5%	1/16W	R9000	1-218-933-11	RES-CHIP	22	5%	1/16W
R8155	1-218-990-81	SHORT CHIP	0			R9001	1-218-933-11	RES-CHIP	22	5%	1/16W
R8156	1-208-711-11	METAL CHIP	15K	0.5%	1/16W	R9002	1-218-933-11	RES-CHIP	22	5%	1/16W
R8157	1-216-864-11	SHORT CHIP	0			R9003	1-218-933-11	RES-CHIP	22	5%	1/16W
R8158	1-216-864-11	SHORT CHIP	0			R9006	1-218-933-11	RES-CHIP	22	5%	1/16W
R8159	1-216-864-11	SHORT CHIP	0			R9007	1-218-933-11	RES-CHIP	22	5%	1/16W
R8160	1-216-864-11	SHORT CHIP	0			R9008	1-218-933-11	RES-CHIP	22	5%	1/16W
R8163	1-216-864-11	SHORT CHIP	0			R9009	1-218-933-11	RES-CHIP	22	5%	1/16W
R8164	1-216-864-11	SHORT CHIP	0			R9010	1-218-933-11	RES-CHIP	22	5%	1/16W
R8184	1-218-965-11	RES-CHIP	10K	5%	1/16W	R9011	1-218-933-11	RES-CHIP	22	5%	1/16W
R8185	1-218-990-81	SHORT CHIP	0			R9012	1-218-933-11	RES-CHIP	22	5%	1/16W
R8186	1-218-965-11	RES-CHIP	10K	5%	1/16W	R9013	1-218-933-11	RES-CHIP	22	5%	1/16W
R8191	1-218-990-81	SHORT CHIP	0			R9014	1-218-933-11	RES-CHIP	22	5%	1/16W
R8193	1-218-990-81	SHORT CHIP	0			R9015	1-218-933-11	RES-CHIP	22	5%	1/16W
R8195	1-218-990-81	SHORT CHIP	0			R9016	1-218-933-11	RES-CHIP	22	5%	1/16W
R8196	1-218-937-11	RES-CHIP	47	5%	1/16W	R9017	1-218-933-11	RES-CHIP	22	5%	1/16W
R8197	1-218-937-11	RES-CHIP	47	5%	1/16W	R9018	1-218-933-11	RES-CHIP	22	5%	1/16W
R8199	1-218-990-81	SHORT CHIP	0			R9019	1-218-933-11	RES-CHIP	22	5%	1/16W
R8202	1-208-677-11	METAL CHIP	560	0.5%	1/16W	R9020	1-218-933-11	RES-CHIP	22	5%	1/16W
R8203	1-208-671-11	METAL CHIP	330	0.5%	1/16W	R9021	1-218-990-81	SHORT CHIP	0		
R8204	1-208-691-11	METAL CHIP	2.2K	0.5%	1/16W	R9023	1-218-935-11	RES-CHIP	33	5%	1/16W
R8205	1-218-965-11	RES-CHIP	10K	5%	1/16W	R9025	1-218-965-11	RES-CHIP	10K	5%	1/16W
R8401	1-218-933-11	RES-CHIP	22	5%	1/16W	R9500	1-218-941-11	RES-CHIP	100	5%	1/16W
R8402	1-218-933-11	RES-CHIP	22	5%	1/16W	R9501	1-218-941-11	RES-CHIP	100	5%	1/16W
R8403	1-218-933-11	RES-CHIP	22	5%	1/16W	R9502	1-218-941-11	RES-CHIP	100	5%	1/16W
R8404	1-218-933-11	RES-CHIP	22	5%	1/16W	R9503	1-218-941-11	RES-CHIP	100	5%	1/16W
R8405	1-218-933-11	RES-CHIP	22	5%	1/16W	R9504	1-218-941-11	RES-CHIP	100	5%	1/16W
R8406	1-218-933-11	RES-CHIP	22	5%	1/16W	R9505	1-218-941-11	RES-CHIP	100	5%	1/16W
R8415	1-218-937-11	RES-CHIP	47	5%	1/16W	R9522	1-218-941-81	RES-CHIP	100	5%	1/16W
R8417	1-218-937-11	RES-CHIP	47	5%	1/16W	R9523	1-218-941-81	RES-CHIP	100	5%	1/16W
R8419	1-218-937-11	RES-CHIP	47	5%	1/16W	R9524	1-218-941-81	RES-CHIP	100	5%	1/16W
R8420	1-218-990-81	SHORT CHIP	0			R9528	1-218-990-81	SHORT CHIP	0		
R8422	1-218-937-11	RES-CHIP	47	5%	1/16W	R9532	1-218-990-81	SHORT CHIP	0		
R8424	1-218-933-11	RES-CHIP	22	5%	1/16W	R9546	1-218-965-11	RES-CHIP	10K	5%	1/16W
R8425	1-218-933-11	RES-CHIP	22	5%	1/16W	R9547	1-218-965-11	RES-CHIP	10K	5%	1/16W
R8426	1-218-933-11	RES-CHIP	22	5%	1/16W	R9548	1-218-965-11	RES-CHIP	10K	5%	1/16W
R8427	1-218-933-11	RES-CHIP	22	5%	1/16W	R9549	1-218-965-11	RES-CHIP	10K	5%	1/16W
R8430	1-218-937-11	RES-CHIP	47	5%	1/16W	R9552	1-208-911-11	METAL CHIP	10K	0.5%	1/16W
R8431	1-218-937-11	RES-CHIP	47	5%	1/16W	R9559	1-218-965-11	RES-CHIP	10K	5%	1/16W

REF.NO.	PART.NO	DESCRIPTION	REMARK	REF.NO.	PART.NO	DESCRIPTION	REMARK
R9745	1-218-990-81	SHORT CHIP	0	RB8419	1-234-371-21	RES, NETWORK 47	(1005X4)
R9747	1-218-990-81	SHORT CHIP	0	RB8420	1-234-371-21	RES, NETWORK 47	(1005X4)
R9751	1-208-911-11	METAL CHIP	10K 0.5% 1/16W	RB8421	1-234-371-21	RES, NETWORK 47	(1005X4)
R9752	1-208-908-11	METAL CHIP	7.5K 0.5% 1/16W	RB8422	1-234-371-21	RES, NETWORK 47	(1005X4)
R9753	1-208-912-11	METAL CHIP	11K 0.5% 1/16W	RB8423	1-234-371-21	RES, NETWORK 47	(1005X4)
R9754	1-208-912-11	METAL CHIP	11K 0.5% 1/16W	RB8424	1-234-371-21	RES, NETWORK 47	(1005X4)
R9755	1-218-965-11	RES-CHIP	10K 5% 1/16W	RB8425	1-234-370-21	RES, NETWORK 22	(1005X4)
R9756	1-218-965-11	RES-CHIP	10K 5% 1/16W	RB8426	1-234-371-21	RES, NETWORK 47	(1005X4)
R9757	1-218-965-11	RES-CHIP	10K 5% 1/16W	RB8427	1-234-370-21	RES, NETWORK 22	(1005X4)
R9758	1-218-965-11	RES-CHIP	10K 5% 1/16W	RB8428	1-234-371-21	RES, NETWORK 47	(1005X4)
R9759	1-208-911-11	METAL CHIP	10K 0.5% 1/16W	RB8429	1-234-370-21	RES, NETWORK 22	(1005X4)
R9760	1-208-911-11	METAL CHIP	10K 0.5% 1/16W	RB8430	1-234-371-21	RES, NETWORK 47	(1005X4)
R9761	1-208-909-11	METAL CHIP	8.2K 0.5% 1/16W	RB8431	1-234-370-21	RES, NETWORK 22	(1005X4)
R9762	1-208-697-11	METAL CHIP	3.9K 0.5% 1/16W	RB8432	1-234-371-21	RES, NETWORK 47	(1005X4)
R9769	1-208-883-81	METAL CHIP	680 0.5% 1/16W	RB8433	1-234-370-21	RES, NETWORK 22	(1005X4)
R9770	1-218-965-11	RES-CHIP	10K 5% 1/16W	RB8434	1-234-371-21	RES, NETWORK 47	(1005X4)
R9771	1-208-911-11	METAL CHIP	10K 0.5% 1/16W	RB8435	1-234-370-21	RES, NETWORK 22	(1005X4)
R9772	1-218-965-11	RES-CHIP	10K 5% 1/16W	RB8436	1-234-370-21	RES, NETWORK 22	(1005X4)
R9773	1-218-965-11	RES-CHIP	10K 5% 1/16W	RB8437	1-234-370-21	RES, NETWORK 22	(1005X4)
R9774	1-218-965-11	RES-CHIP	10K 5% 1/16W	RB9000	1-234-370-21	RES, NETWORK 22	(1005X4)
R9776	1-218-990-81	SHORT CHIP	0	RB9001	1-234-370-21	RES, NETWORK 22	(1005X4)
R9777	1-208-911-11	METAL CHIP	10K 0.5% 1/16W	RB9002	1-234-370-21	RES, NETWORK 22	(1005X4)
R9778	1-208-911-11	METAL CHIP	10K 0.5% 1/16W	RB9003	1-234-370-21	RES, NETWORK 22	(1005X4)
R9779	1-218-977-11	RES-CHIP	100K 5% 1/16W	RB9004	1-234-370-21	RES, NETWORK 22	(1005X4)
R9780	1-218-977-11	RES-CHIP	100K 5% 1/16W	RB9005	1-234-370-21	RES, NETWORK 22	(1005X4)
R9781	1-218-971-11	RES-CHIP	33K 5% 1/16W	RB9006	1-234-370-21	RES, NETWORK 22	(1005X4)
R9782	1-218-953-11	RES-CHIP	1K 5% 1/16W	RB9007	1-234-370-21	RES, NETWORK 22	(1005X4)
R9783	1-218-945-11	RES-CHIP	220 5% 1/16W	RB9008	1-234-370-21	RES, NETWORK 22	(1005X4)
R9784	1-218-989-11	RES-CHIP	1M 5% 1/16W	RB9009	1-234-370-21	RES, NETWORK 22	(1005X4)
R9785	1-218-965-11	RES-CHIP	10K 5% 1/16W	RB9010	1-234-370-21	RES, NETWORK 22	(1005X4)
< RESISTOR CHIP >							
RB8401	1-234-370-21	RES, NETWORK 22	(1005X4)	RB9011	1-234-370-21	RES, NETWORK 22	(1005X4)
RB8402	1-234-370-21	RES, NETWORK 22	(1005X4)	RB9012	1-234-370-21	RES, NETWORK 22	(1005X4)
RB8403	1-234-370-21	RES, NETWORK 22	(1005X4)	RB9013	1-234-370-21	RES, NETWORK 22	(1005X4)
RB8404	1-234-370-21	RES, NETWORK 22	(1005X4)	RB9014	1-234-370-21	RES, NETWORK 22	(1005X4)
RB8405	1-234-370-21	RES, NETWORK 22	(1005X4)	RB9015	1-234-370-21	RES, NETWORK 22	(1005X4)
RB8406	1-234-370-21	RES, NETWORK 22	(1005X4)	RB9016	1-234-370-21	RES, NETWORK 22	(1005X4)
RB8407	1-234-370-21	RES, NETWORK 22	(1005X4)	RB9017	1-234-370-21	RES, NETWORK 22	(1005X4)
RB8408	1-234-370-21	RES, NETWORK 22	(1005X4)	RB9018	1-234-370-21	RES, NETWORK 22	(1005X4)
RB8409	1-234-371-21	RES, NETWORK 47	(1005X4)	< CRYSTAL >			
RB8410	1-234-371-21	RES, NETWORK 47	(1005X4)	X9001	1-813-546-21	QUARTZ CRISTAL OSCILLATOR	
RB8411	1-234-371-21	RES, NETWORK 47	(1005X4)	*A-1257-131-A U2 Board, Complete			
RB8412	1-234-371-21	RES, NETWORK 47	(1005X4)	< CAPACITOR >			
RB8413	1-234-371-21	RES, NETWORK 47	(1005X4)	C200	1-162-970-11	CERAMIC CHIP 0.01UF	10.00% 25V
RB8414	1-234-371-21	RES, NETWORK 47	(1005X4)	C201	1-162-970-11	CERAMIC CHIP 0.01UF	10.00% 25V
RB8415	1-234-371-21	RES, NETWORK 47	(1005X4)	C202	1-112-781-11	CERAMIC CHIP 1UF	10% 10V
RB8416	1-234-371-21	RES, NETWORK 47	(1005X4)	C203	1-162-970-11	CERAMIC CHIP 0.01UF	10.00% 25V
RB8417	1-234-371-21	RES, NETWORK 47	(1005X4)	C206	1-100-912-11	CERAMIC CHIP 1UF	10% 25V
RB8418	1-234-371-21	RES, NETWORK 47	(1005X4)				

Note : The components identified by mark  contain confidential information. Strictly follow the instructions when ever the components are repaired and/or replaced.

U2 **BE1**

REF.NO.	PART.NO	DESCRIPTION	REMARK	REF.NO.	PART.NO	DESCRIPTION	REMARK
R283	1-208-699-11	METAL CHIP	4.7K 0.5% 1/16W	C1206	1-112-774-11	CERAMIC CHIP 470PF	10% 50V
R284	1-218-990-81	SHORT CHIP	0	C1207	1-164-227-11	CERAMIC CHIP 0.022UF	10.00% 25V
R285	1-218-937-11	RES-CHIP	47 5% 1/16W	C1208	1-112-064-11	CERAMIC CHIP 2.2UF	10% 10V
R286	1-218-937-11	RES-CHIP	47 5% 1/16W	C1210	1-100-905-11	CERAMIC CHIP 0.001UF	10% 50V
R287	1-218-937-11	RES-CHIP	47 5% 1/16W	C1211	1-112-064-11	CERAMIC CHIP 2.2UF	10% 10V
R289	1-216-864-11	SHORT CHIP	0	C1213	1-114-325-11	CERAMIC CHIP 0.1UF	10% 25V
R290	1-216-864-11	SHORT CHIP	0	C1216	1-162-970-11	CERAMIC CHIP 0.01UF	10.00% 25V
R291	1-218-990-81	SHORT CHIP	0	C1217	1-126-396-11	ELECT CHIP 47UF	20.00% 16V
R293	1-218-990-81	SHORT CHIP	0	C1218	1-112-777-11	CERAMIC CHIP 0.01UF	10% 25V
R298	1-208-683-11	METAL CHIP	1K 0.5% 1/16W	C1219	1-112-046-11	CERAMIC CHIP 4.7UF	10% 6.3V
R303	1-218-990-81	SHORT CHIP	0	C1300	1-112-774-11	CERAMIC CHIP 470PF	10% 50V
	< VARISTOR >			C1301	1-164-227-11	CERAMIC CHIP 0.022UF	10.00% 25V
VD201	1-802-078-11	VARISTOR (SMD)		C1302	1-112-064-11	CERAMIC CHIP 2.2UF	10% 10V
VD202	1-802-078-11	VARISTOR (SMD)		C1304	1-100-905-11	CERAMIC CHIP 0.001UF	10% 50V
VD203	1-802-078-11	VARISTOR (SMD)		C1305	1-112-064-11	CERAMIC CHIP 2.2UF	10% 10V
VD204	1-802-078-11	VARISTOR (SMD)		C1306	1-112-774-11	CERAMIC CHIP 470PF	10% 50V
VD205	1-802-078-11	VARISTOR (SMD)		C1307	1-164-227-11	CERAMIC CHIP 0.022UF	10.00% 25V
VD206	1-802-078-11	VARISTOR (SMD)		C1308	1-112-064-11	CERAMIC CHIP 2.2UF	10% 10V
VD207	1-802-078-11	VARISTOR (SMD)		C1310	1-100-905-11	CERAMIC CHIP 0.001UF	10% 50V
VDR250	1-805-774-21	VARISTOR, CHIP		C1311	1-112-064-11	CERAMIC CHIP 2.2UF	10% 10V
VDR251	1-802-245-11	ESD SUPPRESSOR		C1313	1-114-325-11	CERAMIC CHIP 0.1UF	10% 25V
VDR252	1-802-245-11	ESD SUPPRESSOR		C1316	1-162-970-11	CERAMIC CHIP 0.01UF	10.00% 25V
VDR253	1-802-245-11	ESD SUPPRESSOR		C1318	1-112-046-11	CERAMIC CHIP 4.7UF	10% 6.3V
VDR254	1-802-245-11	ESD SUPPRESSOR		C1403	1-100-905-11	CERAMIC CHIP 0.001UF	10% 50V
VDR255	1-802-245-11	ESD SUPPRESSOR		C1702	1-100-905-11	CERAMIC CHIP 0.001UF	10% 50V
VDR256	1-802-245-11	ESD SUPPRESSOR		C1703	1-100-905-11	CERAMIC CHIP 0.001UF	10% 50V
VDR257	1-802-245-11	ESD SUPPRESSOR		C1712	1-162-964-11	CERAMIC CHIP 0.001UF	10.00% 50V
VDR258	1-802-245-11	ESD SUPPRESSOR		C1713	1-162-964-11	CERAMIC CHIP 0.001UF	10.00% 50V
VDR260	1-802-245-11	ESD SUPPRESSOR		C1714	1-100-912-11	CERAMIC CHIP 1UF	10% 25V
VDR261	1-802-245-11	ESD SUPPRESSOR		C1715	1-100-912-11	CERAMIC CHIP 1UF	10% 25V
	 *A-1248-400-A BE1 Board, Complete			C1722	1-100-905-11	CERAMIC CHIP 0.001UF	10% 50V
	2-586-175-11	SHEET B, RADIATION		C1723	1-100-905-11	CERAMIC CHIP 0.001UF	10% 50V
	8-597-613-00	TUNER UNIT, DIGITAL BTD-HF401Z		C1724	1-100-912-11	CERAMIC CHIP 1UF	10% 25V
A4500	4-098-157-01	HEAT SINK (DTT)		C1725	1-100-912-11	CERAMIC CHIP 1UF	10% 25V
A4501	1-694-974-21	CONTACT TERMINAL		C1900	1-164-227-11	CERAMIC CHIP 0.022UF	10.00% 25V
A4502	1-694-974-21	CONTACT TERMINAL		C1901	1-126-205-11	ELECT CHIP 47UF	20.00% 6.3V
	< CAPACITOR >			C1902	1-100-916-11	CERAMIC CHIP 0.1UF	10% 16V
C1100	1-112-064-11	CERAMIC CHIP 2.2UF	10% 10V	C1903	1-162-968-11	CERAMIC CHIP 0.0047UF	10.00% 50V
C1102	1-112-064-11	CERAMIC CHIP 2.2UF	10% 10V	C1904	1-164-939-11	CERAMIC CHIP 0.0022UF	10.00% 50V
C1126	1-100-905-11	CERAMIC CHIP 0.001UF	10% 50V	C1905	1-127-715-91	CERAMIC CHIP 0.22UF	10% 16V
C1127	1-100-905-11	CERAMIC CHIP 0.001UF	10% 50V	C1906	1-100-916-11	CERAMIC CHIP 0.1UF	10% 16V
C1200	1-112-774-11	CERAMIC CHIP 470PF	10% 50V	C1907	1-126-205-11	ELECT CHIP 47UF	20.00% 6.3V
C1201	1-164-227-11	CERAMIC CHIP 0.022UF	10.00% 25V	C1908	1-127-760-11	CERAMIC CHIP 4.7UF	10% 6.3V
C1202	1-112-064-11	CERAMIC CHIP 2.2UF	10% 10V	C2002	1-164-876-11	CERAMIC CHIP 120PF	5.00% 50V
C1204	1-100-905-11	CERAMIC CHIP 0.001UF	10% 50V	C2005	1-112-776-11	CERAMIC CHIP 0.0047UF	10% 50V
C1205	1-112-064-11	CERAMIC CHIP 2.2UF	10% 10V	C2006	1-162-906-11	CERAMIC CHIP 1.5PF	0.25PF 50V
				C2007	1-162-906-11	CERAMIC CHIP 1.5PF	0.25PF 50V
				C2008	1-126-396-11	ELECT CHIP 47UF	20.00% 16V
				C2009	1-164-004-11	CERAMIC CHIP 0.1UF	10.00% 25V
				C2010	1-100-905-11	CERAMIC CHIP 0.001UF	10% 50V

REF.NO.	PART.NO	DESCRIPTION	REMARK	REF.NO.	PART.NO	DESCRIPTION	REMARK
C2011	1-162-927-11	CERAMIC CHIP 100PF	5.00% 50V	C2070	1-112-064-11	CERAMIC CHIP 2.2UF	10% 10V
C2012	1-112-774-11	CERAMIC CHIP 470PF	10% 50V	C2071	1-112-064-11	CERAMIC CHIP 2.2UF	10% 10V
C2013	1-126-392-11	ELECT CHIP 100UF	20.00% 6.3V	C2072	1-112-064-11	CERAMIC CHIP 2.2UF	10% 10V
C2014	1-100-905-11	CERAMIC CHIP 0.001UF	10% 50V	C2073	1-114-330-11	CERAMIC CHIP 2.2UF	10% 16V
C2016	1-112-046-11	CERAMIC CHIP 4.7UF	10% 6.3V	C2074	1-100-764-21	ELECT CHIP 4.7UF	20% 25V
C2017	1-100-905-11	CERAMIC CHIP 0.001UF	10% 50V	C2075	1-100-764-21	ELECT CHIP 4.7UF	20% 25V
C2019	1-100-911-11	CERAMIC CHIP 4.7UF	10% 25V	C2076	1-126-396-11	ELECT CHIP 47UF	20.00% 16V
C2020	1-126-394-11	ELECT CHIP 10UF	20.00% 16V	C2077	1-126-396-11	ELECT CHIP 47UF	20.00% 16V
C2021	1-112-064-11	CERAMIC CHIP 2.2UF	10% 10V	C2078	1-114-330-11	CERAMIC CHIP 2.2UF	10% 16V
C2022	1-100-905-11	CERAMIC CHIP 0.001UF	10% 50V	C2079	1-112-064-11	CERAMIC CHIP 2.2UF	10% 10V
C2023	1-114-325-11	CERAMIC CHIP 0.1UF	10% 25V	C2080	1-162-959-11	CERAMIC CHIP 330PF	5.00% 50V
C2025	1-112-046-11	CERAMIC CHIP 4.7UF	10% 6.3V	C2081	1-164-866-11	CERAMIC CHIP 47PF	5.00% 50V
C2026	1-112-064-11	CERAMIC CHIP 2.2UF	10% 10V	C2082	1-162-959-11	CERAMIC CHIP 330PF	5.00% 50V
C2027	1-100-905-11	CERAMIC CHIP 0.001UF	10% 50V	C2083	1-112-064-11	CERAMIC CHIP 2.2UF	10% 10V
C2028	1-112-064-11	CERAMIC CHIP 2.2UF	10% 10V	C2084	1-164-866-11	CERAMIC CHIP 47PF	5.00% 50V
C2029	1-164-849-11	CERAMIC CHIP 9PF	0.50PF 50V	C2085	1-126-396-11	ELECT CHIP 47UF	20.00% 16V
C2030	1-164-849-11	CERAMIC CHIP 9PF	0.50PF 50V	C2086	1-100-905-11	CERAMIC CHIP 0.001UF	10% 50V
C2031	1-126-396-11	ELECT CHIP 47UF	20.00% 16V	C2087	1-114-325-11	CERAMIC CHIP 0.1UF	10% 25V
C2032	1-126-394-11	ELECT CHIP 10UF	20.00% 16V	C2088	1-112-064-11	CERAMIC CHIP 2.2UF	10% 10V
C2033	1-114-325-11	CERAMIC CHIP 0.1UF	10% 25V	C2089	1-112-064-11	CERAMIC CHIP 2.2UF	10% 10V
C2034	1-114-325-11	CERAMIC CHIP 0.1UF	10% 25V	C2090	1-114-325-11	CERAMIC CHIP 0.1UF	10% 25V
C2036	1-114-325-11	CERAMIC CHIP 0.1UF	10% 25V	C2091	1-112-064-11	CERAMIC CHIP 2.2UF	10% 10V
C2037	1-164-004-11	CERAMIC CHIP 0.1UF	10.00% 25V	C2092	1-112-064-11	CERAMIC CHIP 2.2UF	10% 10V
C2039	1-100-905-11	CERAMIC CHIP 0.001UF	10% 50V	C2094	1-162-927-11	CERAMIC CHIP 100PF	5.00% 50V
C2040	1-126-394-11	ELECT CHIP 10UF	20.00% 16V	C2095	1-100-912-11	CERAMIC CHIP 1UF	10% 25V
C2041	1-100-911-11	CERAMIC CHIP 4.7UF	10% 25V	C2096	1-162-927-11	CERAMIC CHIP 100PF	5.00% 50V
C2042	1-100-905-11	CERAMIC CHIP 0.001UF	10% 50V	C2097	1-114-325-11	CERAMIC CHIP 0.1UF	10% 25V
C2043	1-164-004-11	CERAMIC CHIP 0.1UF	10.00% 25V	C2101	1-100-905-11	CERAMIC CHIP 0.001UF	10% 50V
C2045	1-100-905-11	CERAMIC CHIP 0.001UF	10% 50V	C2102	1-100-905-11	CERAMIC CHIP 0.001UF	10% 50V
C2046	1-126-396-11	ELECT CHIP 47UF	20.00% 16V	C2103	1-100-764-21	ELECT CHIP 4.7UF	20% 25V
C2047	1-162-966-11	CERAMIC CHIP 0.0022UF	10.00% 50V	C2104	1-100-764-21	ELECT CHIP 4.7UF	20% 25V
C2048	1-162-966-11	CERAMIC CHIP 0.0022UF	10.00% 50V	C2105	1-100-764-21	ELECT CHIP 4.7UF	20% 25V
C2049	1-162-966-11	CERAMIC CHIP 0.0022UF	10.00% 50V	C2106	1-100-764-21	ELECT CHIP 4.7UF	20% 25V
C2050	1-162-966-11	CERAMIC CHIP 0.0022UF	10.00% 50V	C2111	1-114-325-11	CERAMIC CHIP 0.1UF	10% 25V
C2051	1-112-046-11	CERAMIC CHIP 4.7UF	10% 6.3V	C2112	1-100-764-21	ELECT CHIP 4.7UF	20% 25V
C2052	1-112-064-11	CERAMIC CHIP 2.2UF	10% 10V	C2113	1-112-777-11	CERAMIC CHIP 0.01UF	10% 25V
C2053	1-112-064-11	CERAMIC CHIP 2.2UF	10% 10V	C2114	1-100-764-21	ELECT CHIP 4.7UF	20% 25V
C2054	1-100-911-11	CERAMIC CHIP 4.7UF	10% 25V	C2115	1-115-340-11	CERAMIC CHIP 0.22UF	10.00% 25V
C2055	1-100-905-11	CERAMIC CHIP 0.001UF	10% 50V	C2116	1-115-340-11	CERAMIC CHIP 0.22UF	10.00% 25V
C2058	1-100-905-11	CERAMIC CHIP 0.001UF	10% 50V	C2117	1-100-905-11	CERAMIC CHIP 0.001UF	10% 50V
C2059	1-100-911-11	CERAMIC CHIP 4.7UF	10% 25V	C2118	1-100-905-11	CERAMIC CHIP 0.001UF	10% 50V
C2060	1-126-392-11	ELECT CHIP 100UF	20.00% 6.3V	C2119	1-115-340-11	CERAMIC CHIP 0.22UF	10.00% 25V
C2061	1-114-325-11	CERAMIC CHIP 0.1UF	10% 25V	C2120	1-115-340-11	CERAMIC CHIP 0.22UF	10.00% 25V
C2062	1-114-325-11	CERAMIC CHIP 0.1UF	10% 25V	C2121	1-100-905-11	CERAMIC CHIP 0.001UF	10% 50V
C2063	1-114-325-11	CERAMIC CHIP 0.1UF	10% 25V	C2123	1-112-797-11	ELECT CHIP 470UF	20% 25V
C2064	1-112-781-11	CERAMIC CHIP 1UF	10% 10V	C2124	1-112-800-11	ELECT CHIP 100UF	20% 35V
C2065	1-112-781-11	CERAMIC CHIP 1UF	10% 10V	C2125	1-114-325-11	CERAMIC CHIP 0.1UF	10% 25V
C2067	1-100-911-11	CERAMIC CHIP 4.7UF	10% 25V	C2126	1-100-912-11	CERAMIC CHIP 1UF	10% 25V
C2068	1-100-905-11	CERAMIC CHIP 0.001UF	10% 50V	C2127	1-100-912-11	CERAMIC CHIP 1UF	10% 25V
C2069	1-112-064-11	CERAMIC CHIP 2.2UF	10% 10V	C2128	1-112-800-11	ELECT CHIP 100UF	20% 35V

REF.NO.	PART.NO	DESCRIPTION	REMARK	REF.NO.	PART.NO	DESCRIPTION	REMARK
C2129	1-114-325-11	CERAMIC CHIP 0.1UF	10% 25V	C3013	1-100-906-11	CERAMIC CHIP 0.01UF	10% 16V
C2130	1-114-325-11	CERAMIC CHIP 0.1UF	10% 25V	C3014	1-100-906-11	CERAMIC CHIP 0.01UF	10% 16V
C2131	1-126-396-11	ELECT CHIP 47UF	20.00% 16V	C3015	1-100-905-11	CERAMIC CHIP 0.001UF	10% 50V
C2132	1-115-340-11	CERAMIC CHIP 0.22UF	10.00% 25V	C3016	1-100-906-11	CERAMIC CHIP 0.01UF	10% 16V
C2133	1-115-340-11	CERAMIC CHIP 0.22UF	10.00% 25V	C3017	1-100-905-11	CERAMIC CHIP 0.001UF	10% 50V
C2134	1-112-064-11	CERAMIC CHIP 2.2UF	10% 10V	C3019	1-162-911-11	CERAMIC CHIP 6PF	0.50PF 50V
C2135	1-112-064-11	CERAMIC CHIP 2.2UF	10% 10V	C3022	1-112-066-11	CERAMIC CHIP 10UF	10% 10V
C2136	1-115-340-11	CERAMIC CHIP 0.22UF	10.00% 25V	C3024	1-112-066-11	CERAMIC CHIP 10UF	10% 10V
C2137	1-115-340-11	CERAMIC CHIP 0.22UF	10.00% 25V	C3029	1-100-905-11	CERAMIC CHIP 0.001UF	10% 50V
C2138	1-115-340-11	CERAMIC CHIP 0.22UF	10.00% 25V	C3033	1-100-905-11	CERAMIC CHIP 0.001UF	10% 50V
C2139	1-115-340-11	CERAMIC CHIP 0.22UF	10.00% 25V	C3036	1-112-781-11	CERAMIC CHIP 1UF	10% 10V
C2140	1-112-064-11	CERAMIC CHIP 2.2UF	10% 10V	C3044	1-112-781-11	CERAMIC CHIP 1UF	10% 10V
C2141	1-114-330-11	CERAMIC CHIP 2.2UF	10% 16V	C3046	1-100-905-11	CERAMIC CHIP 0.001UF	10% 50V
C2142	1-164-874-11	CERAMIC CHIP 100PF	5.00% 50V	C3048	1-100-907-11	CERAMIC CHIP 0.1UF	10% 10V
C2143	1-112-064-11	CERAMIC CHIP 2.2UF	10% 10V	C3049	1-100-905-11	CERAMIC CHIP 0.001UF	10% 50V
C2144	1-164-874-11	CERAMIC CHIP 100PF	5.00% 50V	C3051	1-112-066-11	CERAMIC CHIP 10UF	10% 10V
C2145	1-100-912-11	CERAMIC CHIP 1UF	10% 25V	C3052	1-100-907-11	CERAMIC CHIP 0.1UF	10% 10V
C2146	1-100-912-11	CERAMIC CHIP 1UF	10% 25V	C3053	1-112-066-11	CERAMIC CHIP 10UF	10% 10V
C2149	1-126-396-11	ELECT CHIP 47UF	20.00% 16V	C3057	1-100-907-11	CERAMIC CHIP 0.1UF	10% 10V
C2150	1-126-396-11	ELECT CHIP 47UF	20.00% 16V	C3060	1-100-905-11	CERAMIC CHIP 0.001UF	10% 50V
C2156	1-114-325-11	CERAMIC CHIP 0.1UF	10% 25V	C3061	1-100-905-11	CERAMIC CHIP 0.001UF	10% 50V
C2157	1-114-325-11	CERAMIC CHIP 0.1UF	10% 25V	C3062	1-112-066-11	CERAMIC CHIP 10UF	10% 10V
C2158	1-114-325-11	CERAMIC CHIP 0.1UF	10% 25V	C3063	1-100-907-11	CERAMIC CHIP 0.1UF	10% 10V
C2159	1-100-905-11	CERAMIC CHIP 0.001UF	10% 50V	C3066	1-100-907-11	CERAMIC CHIP 0.1UF	10% 10V
C2160	1-100-905-11	CERAMIC CHIP 0.001UF	10% 50V	C3070	1-100-906-11	CERAMIC CHIP 0.01UF	10% 16V
C2161	1-100-905-11	CERAMIC CHIP 0.001UF	10% 50V	C3071	1-164-874-11	CERAMIC CHIP 100PF	5.00% 50V
C2162	1-112-064-11	CERAMIC CHIP 2.2UF	10% 10V	C3072	1-100-905-11	CERAMIC CHIP 0.001UF	10% 50V
C2163	1-112-064-11	CERAMIC CHIP 2.2UF	10% 10V	C3074	1-100-907-11	CERAMIC CHIP 0.1UF	10% 10V
C2164	1-112-064-11	CERAMIC CHIP 2.2UF	10% 10V	C3076	1-112-781-11	CERAMIC CHIP 1UF	10% 10V
C2165	1-112-064-11	CERAMIC CHIP 2.2UF	10% 10V	C3079	1-100-907-11	CERAMIC CHIP 0.1UF	10% 10V
C2168	1-162-964-11	CERAMIC CHIP 0.001UF	10.00% 50V	C3080	1-100-905-11	CERAMIC CHIP 0.001UF	10% 50V
C2169	1-162-964-11	CERAMIC CHIP 0.001UF	10.00% 50V	C3081	1-112-066-11	CERAMIC CHIP 10UF	10% 10V
C2170	1-115-412-11	CERAMIC CHIP 680PF	5.00% 25V	C3082	1-112-066-11	CERAMIC CHIP 10UF	10% 10V
C2171	1-115-412-11	CERAMIC CHIP 680PF	5.00% 25V	C3083	1-100-907-11	CERAMIC CHIP 0.1UF	10% 10V
C2177	1-100-912-11	CERAMIC CHIP 1UF	10% 25V	C3084	1-100-905-11	CERAMIC CHIP 0.001UF	10% 50V
C2178	1-100-764-21	ELECT CHIP 4.7UF	20% 25V	C3085	1-115-456-21	DOUBLE LAYER 0.22F	5.5V
C2179	1-100-764-21	ELECT CHIP 4.7UF	20% 25V	C3087	1-100-907-11	CERAMIC CHIP 0.1UF	10% 10V
C2180	1-100-907-11	CERAMIC CHIP 0.1UF	10% 10V	C3110	1-100-916-11	CERAMIC CHIP 0.1UF	10% 16V
C2182	1-114-330-11	CERAMIC CHIP 2.2UF	10% 16V	C3112	1-100-905-11	CERAMIC CHIP 0.001UF	10% 50V
C2187	1-112-064-11	CERAMIC CHIP 2.2UF	10% 10V	C3900	1-164-874-11	CERAMIC CHIP 100PF	5.00% 50V
C2188	1-112-064-11	CERAMIC CHIP 2.2UF	10% 10V	C4001	1-100-905-11	CERAMIC CHIP 0.001UF	10% 50V
C2190	1-100-911-11	CERAMIC CHIP 4.7UF	10% 25V	C4002	1-117-681-11	ELECT CHIP 100UF	20.00% 16V
C2191	1-100-911-11	CERAMIC CHIP 4.7UF	10% 25V	C4003	1-164-868-11	CERAMIC CHIP 56PF	5.00% 50V
C2192	1-114-325-11	CERAMIC CHIP 0.1UF	10% 25V	C4004	1-100-911-11	CERAMIC CHIP 4.7UF	10% 25V
C3005	1-100-906-11	CERAMIC CHIP 0.01UF	10% 16V	C4005	1-100-911-11	CERAMIC CHIP 4.7UF	10% 25V
C3006	1-100-906-11	CERAMIC CHIP 0.01UF	10% 16V	C4008	1-100-905-11	CERAMIC CHIP 0.001UF	10% 50V
C3007	1-100-906-11	CERAMIC CHIP 0.01UF	10% 16V	C4009	1-164-677-11	CERAMIC CHIP 0.033UF	10.00% 16V
C3010	1-100-916-11	CERAMIC CHIP 0.1UF	10% 16V	C4010	1-100-916-11	CERAMIC CHIP 0.1UF	10% 16V
C3011	1-117-681-11	ELECT CHIP 100UF	20.00% 16V	C4011	1-100-912-11	CERAMIC CHIP 1UF	10% 25V
C3012	1-100-905-11	CERAMIC CHIP 0.001UF	10% 50V	C4012	1-100-912-11	CERAMIC CHIP 1UF	10% 25V

REF.NO.	PART.NO	DESCRIPTION	REMARK	REF.NO.	PART.NO	DESCRIPTION	REMARK
C4013	1-112-066-11	CERAMIC CHIP 10UF	10% 10V	C4531	1-100-905-11	CERAMIC CHIP 0.001UF	10% 50V
C4014	1-164-245-11	CERAMIC CHIP 0.015UF	10.00% 25V	C4701	1-100-916-11	CERAMIC CHIP 0.1UF	10% 16V
C4015	1-100-905-11	CERAMIC CHIP 0.001UF	10% 50V	C4702	1-100-916-11	CERAMIC CHIP 0.1UF	10% 16V
C4016	1-112-066-11	CERAMIC CHIP 10UF	10% 10V	C4704	1-112-066-11	CERAMIC CHIP 10UF	10% 10V
C4018	1-164-868-11	CERAMIC CHIP 56PF	5.00% 50V	C4705	1-100-916-11	CERAMIC CHIP 0.1UF	10% 16V
C4021	1-100-916-11	CERAMIC CHIP 0.1UF	10% 16V	C4708	1-100-905-11	CERAMIC CHIP 0.001UF	10% 50V
C4022	1-165-667-21	ELECT CHIP 100UF	20% 6.3V	C4712	1-162-979-11	CERAMIC CHIP 0.0027UF	10.00% 50V
C4023	1-100-912-11	CERAMIC CHIP 1UF	10% 25V	C4713	1-162-979-11	CERAMIC CHIP 0.0027UF	10.00% 50V
C4024	1-100-916-11	CERAMIC CHIP 0.1UF	10% 16V	C4716	1-100-916-11	CERAMIC CHIP 0.1UF	10% 16V
C4025	1-165-667-21	ELECT CHIP 100UF	20% 6.3V	C4717	1-100-916-11	CERAMIC CHIP 0.1UF	10% 16V
C4028	1-112-064-11	CERAMIC CHIP 2.2UF	10% 10V	C4718	1-100-916-11	CERAMIC CHIP 0.1UF	10% 16V
C4033	1-112-777-11	CERAMIC CHIP 0.01UF	10% 25V	C4720	1-100-905-11	CERAMIC CHIP 0.001UF	10% 50V
C4034	1-112-046-11	CERAMIC CHIP 4.7UF	10% 6.3V	C4721	1-100-905-11	CERAMIC CHIP 0.001UF	10% 50V
C4035	1-112-777-11	CERAMIC CHIP 0.01UF	10% 25V	C4722	1-100-905-11	CERAMIC CHIP 0.001UF	10% 50V
C4041	1-112-774-11	CERAMIC CHIP 470PF	10% 50V	C4723	1-100-905-11	CERAMIC CHIP 0.001UF	10% 50V
C4042	1-112-774-11	CERAMIC CHIP 470PF	10% 50V	C4724	1-100-905-11	CERAMIC CHIP 0.001UF	10% 50V
C4043	1-112-774-11	CERAMIC CHIP 470PF	10% 50V	C4725	1-164-882-11	CERAMIC CHIP 220PF	5.00% 16V
C4044	1-112-774-11	CERAMIC CHIP 470PF	10% 50V	C4726	1-100-916-11	CERAMIC CHIP 0.1UF	10% 16V
C4045	1-112-774-11	CERAMIC CHIP 470PF	10% 50V	C4730	1-100-905-11	CERAMIC CHIP 0.001UF	10% 50V
C4046	1-164-874-11	CERAMIC CHIP 100PF	5.00% 50V	C4731	1-100-916-11	CERAMIC CHIP 0.1UF	10% 16V
C4052	1-100-905-11	CERAMIC CHIP 0.001UF	10% 50V	C4732	1-100-916-11	CERAMIC CHIP 0.1UF	10% 16V
C4053	1-162-970-11	CERAMIC CHIP 0.01UF	10.00% 25V	C4734	1-100-905-11	CERAMIC CHIP 0.001UF	10% 50V
C4054	1-165-667-21	ELECT CHIP 100UF	20% 6.3V	C4736	1-100-905-11	CERAMIC CHIP 0.001UF	10% 50V
C4055	1-165-667-21	ELECT CHIP 100UF	20% 6.3V	C4739	1-100-916-11	CERAMIC CHIP 0.1UF	10% 16V
C4056	1-100-905-11	CERAMIC CHIP 0.001UF	10% 50V	C4740	1-100-905-11	CERAMIC CHIP 0.001UF	10% 50V
C4058	1-115-340-11	CERAMIC CHIP 0.22UF	10.00% 25V	C4741	1-112-066-11	CERAMIC CHIP 10UF	10% 10V
C4059	1-100-905-11	CERAMIC CHIP 0.001UF	10% 50V	C4746	1-100-905-11	CERAMIC CHIP 0.001UF	10% 50V
C4500	1-100-916-11	CERAMIC CHIP 0.1UF	10% 16V	C4750	1-100-905-11	CERAMIC CHIP 0.001UF	10% 50V
C4502	1-100-916-11	CERAMIC CHIP 0.1UF	10% 16V	C4752	1-100-916-11	CERAMIC CHIP 0.1UF	10% 16V
C4503	1-100-916-11	CERAMIC CHIP 0.1UF	10% 16V	C4757	1-100-916-11	CERAMIC CHIP 0.1UF	10% 16V
C4505	1-100-916-11	CERAMIC CHIP 0.1UF	10% 16V	C4758	1-100-916-11	CERAMIC CHIP 0.1UF	10% 16V
C4506	1-100-916-11	CERAMIC CHIP 0.1UF	10% 16V	C4759	1-100-916-11	CERAMIC CHIP 0.1UF	10% 16V
C4507	1-100-916-11	CERAMIC CHIP 0.1UF	10% 16V	C4760	1-100-916-11	CERAMIC CHIP 0.1UF	10% 16V
C4510	1-100-916-11	CERAMIC CHIP 0.1UF	10% 16V	C4762	1-100-916-11	CERAMIC CHIP 0.1UF	10% 16V
C4511	1-100-916-11	CERAMIC CHIP 0.1UF	10% 16V	C4765	1-100-905-11	CERAMIC CHIP 0.001UF	10% 50V
C4512	1-100-916-11	CERAMIC CHIP 0.1UF	10% 16V	C4769	1-100-905-11	CERAMIC CHIP 0.001UF	10% 50V
C4513	1-100-916-11	CERAMIC CHIP 0.1UF	10% 16V	C4773	1-100-905-11	CERAMIC CHIP 0.001UF	10% 50V
C4514	1-100-916-11	CERAMIC CHIP 0.1UF	10% 16V	C4774	1-100-905-11	CERAMIC CHIP 0.001UF	10% 50V
C4515	1-100-916-11	CERAMIC CHIP 0.1UF	10% 16V	C4778	1-100-916-11	CERAMIC CHIP 0.1UF	10% 16V
C4516	1-100-916-11	CERAMIC CHIP 0.1UF	10% 16V	C4779	1-112-781-11	CERAMIC CHIP 1UF	10% 10V
C4517	1-100-916-11	CERAMIC CHIP 0.1UF	10% 16V	C4780	1-100-916-11	CERAMIC CHIP 0.1UF	10% 16V
C4518	1-100-916-11	CERAMIC CHIP 0.1UF	10% 16V	C4781	1-100-916-11	CERAMIC CHIP 0.1UF	10% 16V
C4519	1-100-916-11	CERAMIC CHIP 0.1UF	10% 16V	C4803	1-112-781-11	CERAMIC CHIP 1UF	10% 10V
C4520	1-100-916-11	CERAMIC CHIP 0.1UF	10% 16V	C4805	1-114-325-11	CERAMIC CHIP 0.1UF	10% 25V
C4521	1-100-916-11	CERAMIC CHIP 0.1UF	10% 16V	C4806	1-126-396-11	ELECT CHIP 47UF	20.00% 16V
C4524	1-100-906-11	CERAMIC CHIP 0.01UF	10% 16V	C4808	1-162-970-11	CERAMIC CHIP 0.01UF	10.00% 25V
C4525	1-100-905-11	CERAMIC CHIP 0.001UF	10% 50V	C4812	1-162-970-11	CERAMIC CHIP 0.01UF	10.00% 25V
C4527	1-100-906-11	CERAMIC CHIP 0.01UF	10% 16V	C4814	1-100-906-11	CERAMIC CHIP 0.01UF	10% 16V
C4528	1-112-774-11	CERAMIC CHIP 470PF	10% 50V	C4902	1-100-906-11	CERAMIC CHIP 0.01UF	10% 16V
C4530	1-100-905-11	CERAMIC CHIP 0.001UF	10% 50V	C4903	1-100-916-11	CERAMIC CHIP 0.1UF	10% 16V

REF.NO.	PART.NO	DESCRIPTION	REMARK	REF.NO.	PART.NO	DESCRIPTION	REMARK
C4904	1-100-906-11	CERAMIC CHIP 0.01UF	10% 16V	C6706	1-100-907-11	CERAMIC CHIP 0.1UF	10% 10V
C4906	1-126-392-11	ELECT CHIP 100UF	20.00% 6.3V	C6707	1-115-566-11	CERAMIC CHIP 4.7UF	10.00% 10V
C4907	1-112-776-11	CERAMIC CHIP 0.0047UF	10% 50V	C6708	1-115-566-11	CERAMIC CHIP 4.7UF	10.00% 10V
C4908	1-100-906-11	CERAMIC CHIP 0.01UF	10% 16V	C6709	1-164-852-11	CERAMIC CHIP 12PF	5.00% 50V
C4909	1-164-874-11	CERAMIC CHIP 100PF	5.00% 50V	C6710	1-164-852-11	CERAMIC CHIP 12PF	5.00% 50V
C4910	1-164-874-11	CERAMIC CHIP 100PF	5.00% 50V	C6711	1-100-907-11	CERAMIC CHIP 0.1UF	10% 10V
C4911	1-164-874-11	CERAMIC CHIP 100PF	5.00% 50V	C6712	1-164-852-11	CERAMIC CHIP 12PF	5.00% 50V
C4912	1-100-916-11	CERAMIC CHIP 0.1UF	10% 16V	C6713	1-164-852-11	CERAMIC CHIP 12PF	5.00% 50V
C4913	1-100-916-11	CERAMIC CHIP 0.1UF	10% 16V	C6716	1-164-943-81	CERAMIC CHIP 0.01UF	10.00% 16V
C4914	1-100-906-11	CERAMIC CHIP 0.01UF	10% 16V	C6718	1-100-907-11	CERAMIC CHIP 0.1UF	10% 10V
C4915	1-164-874-11	CERAMIC CHIP 100PF	5.00% 50V	C6720	1-164-936-11	CERAMIC CHIP 680PF	10.00% 50V
C4916	1-164-874-11	CERAMIC CHIP 100PF	5.00% 50V	C6722	1-164-947-11	CERAMIC CHIP 0.01UF	50V
C4917	1-164-874-11	CERAMIC CHIP 100PF	5.00% 50V	C6723	1-165-667-21	ELECT CHIP 100UF	20% 6.3V
C4918	1-164-874-11	CERAMIC CHIP 100PF	5.00% 50V	C6724	1-165-667-21	ELECT CHIP 100UF	20% 6.3V
C4919	1-164-874-11	CERAMIC CHIP 100PF	5.00% 50V	C6725	1-164-936-11	CERAMIC CHIP 680PF	10.00% 50V
C5002	1-100-916-11	CERAMIC CHIP 0.1UF	10% 16V	C6726	1-117-681-11	ELECT CHIP 100UF	20.00% 16V
C5005	1-164-874-11	CERAMIC CHIP 100PF	5.00% 50V	C6728	1-100-611-91	CERAMIC CHIP 22UF	20% 6.3V
C5006	1-164-874-11	CERAMIC CHIP 100PF	5.00% 50V	C6729	1-100-611-91	CERAMIC CHIP 22UF	20% 6.3V
C5008	1-112-781-11	CERAMIC CHIP 1UF	10% 10V	C6730	1-100-906-11	CERAMIC CHIP 0.01UF	10% 16V
C5009	1-100-906-11	CERAMIC CHIP 0.01UF	10% 16V	C6731	1-100-907-11	CERAMIC CHIP 0.1UF	10% 10V
C5502	1-100-916-11	CERAMIC CHIP 0.1UF	10% 16V	C6733	1-100-907-11	CERAMIC CHIP 0.1UF	10% 10V
C5505	1-100-916-11	CERAMIC CHIP 0.1UF	10% 16V	C6734	1-100-907-11	CERAMIC CHIP 0.1UF	10% 10V
C5509	1-112-777-11	CERAMIC CHIP 0.01UF	10% 25V	C6736	1-164-936-11	CERAMIC CHIP 680PF	10.00% 50V
C5510	1-112-777-11	CERAMIC CHIP 0.01UF	10% 25V	C6737	1-165-882-91	CERAMIC CHIP 2.2UF	50V
C5511	1-112-777-11	CERAMIC CHIP 0.01UF	10% 25V	C6738	1-164-936-11	CERAMIC CHIP 680PF	10.00% 50V
C5512	1-112-777-11	CERAMIC CHIP 0.01UF	10% 25V	C6745	1-164-937-11	CERAMIC CHIP 0.001UF	10.00% 50V
C5513	1-112-777-11	CERAMIC CHIP 0.01UF	10% 25V	C6746	1-112-781-11	CERAMIC CHIP 1UF	10% 10V
C5514	1-112-777-11	CERAMIC CHIP 0.01UF	10% 25V	C6800	1-135-366-11	ELECT CHIP 100UF	20% 16V
C5517	1-112-777-11	CERAMIC CHIP 0.01UF	10% 25V	C6801	1-131-661-21	ELECT CHIP 100UF	20% 10V
C5518	1-112-777-11	CERAMIC CHIP 0.01UF	10% 25V	C6802	1-100-907-11	CERAMIC CHIP 0.1UF	10% 10V
C5519	1-112-777-11	CERAMIC CHIP 0.01UF	10% 25V	C6803	1-100-907-11	CERAMIC CHIP 0.1UF	10% 10V
C5520	1-112-777-11	CERAMIC CHIP 0.01UF	10% 25V	C6806	1-100-907-11	CERAMIC CHIP 0.1UF	10% 10V
C5521	1-112-777-11	CERAMIC CHIP 0.01UF	10% 25V	C6820	1-128-991-21	ELECT CHIP 10UF	20% 50V
C5522	1-112-777-11	CERAMIC CHIP 0.01UF	10% 25V	C7100	1-100-911-11	CERAMIC CHIP 4.7UF	10% 25V
C5523	1-112-777-11	CERAMIC CHIP 0.01UF	10% 25V	C7101	1-117-720-11	CERAMIC CHIP 4.7UF	10V
C5524	1-112-066-11	CERAMIC CHIP 10UF	10% 10V	C7103	1-100-907-11	CERAMIC CHIP 0.1UF	10% 10V
C5525	1-112-777-11	CERAMIC CHIP 0.01UF	10% 25V	C7104	1-100-907-11	CERAMIC CHIP 0.1UF	10% 10V
C5526	1-112-777-11	CERAMIC CHIP 0.01UF	10% 25V	C7105	1-100-907-11	CERAMIC CHIP 0.1UF	10% 10V
C5527	1-112-777-11	CERAMIC CHIP 0.01UF	10% 25V	C7106	1-100-907-11	CERAMIC CHIP 0.1UF	10% 10V
C5528	1-100-916-11	CERAMIC CHIP 0.1UF	10% 16V	C7107	1-100-907-11	CERAMIC CHIP 0.1UF	10% 10V
C5529	1-100-905-11	CERAMIC CHIP 0.001UF	10% 50V	C7108	1-100-907-11	CERAMIC CHIP 0.1UF	10% 10V
C5530	1-112-066-11	CERAMIC CHIP 10UF	10% 10V	C7109	1-100-907-11	CERAMIC CHIP 0.1UF	10% 10V
C5531	1-100-916-11	CERAMIC CHIP 0.1UF	10% 16V	C7110	1-100-907-11	CERAMIC CHIP 0.1UF	10% 10V
C5533	1-100-916-11	CERAMIC CHIP 0.1UF	10% 16V	C7111	1-100-907-11	CERAMIC CHIP 0.1UF	10% 10V
C5620	1-100-907-11	CERAMIC CHIP 0.1UF	10% 10V	C7112	1-100-907-11	CERAMIC CHIP 0.1UF	10% 10V
C6700	1-100-053-21	ELECT CHIP 220UF	20% 6.3V	C7113	1-100-907-11	CERAMIC CHIP 0.1UF	10% 10V
C6701	1-100-906-11	CERAMIC CHIP 0.01UF	10% 16V	C7114	1-100-907-11	CERAMIC CHIP 0.1UF	10% 10V
C6702	1-100-907-11	CERAMIC CHIP 0.1UF	10% 10V	C7115	1-100-907-11	CERAMIC CHIP 0.1UF	10% 10V
C6704	1-126-396-11	ELECT CHIP 47UF	20.00% 16V	C7116	1-100-552-21	ELECT CHIP 10UF	20% 25V
C6705	1-100-907-11	CERAMIC CHIP 0.1UF	10% 10V	C7117	1-100-552-21	ELECT CHIP 10UF	20% 25V

REF.NO.	PART.NO	DESCRIPTION	REMARK	REF.NO.	PART.NO	DESCRIPTION	REMARK
C7118	1-100-907-11	CERAMIC CHIP 0.1UF	10% 10V	C7226	1-164-874-11	CERAMIC CHIP 100PF	5.00% 50V
C7119	1-100-907-11	CERAMIC CHIP 0.1UF	10% 10V	C7227	1-164-874-11	CERAMIC CHIP 100PF	5.00% 50V
C7120	1-100-907-11	CERAMIC CHIP 0.1UF	10% 10V	C7228	1-164-874-11	CERAMIC CHIP 100PF	5.00% 50V
C7121	1-100-907-11	CERAMIC CHIP 0.1UF	10% 10V	C7300	1-100-907-11	CERAMIC CHIP 0.1UF	10% 10V
C7122	1-100-907-11	CERAMIC CHIP 0.1UF	10% 10V	C7301	1-100-907-11	CERAMIC CHIP 0.1UF	10% 10V
C7123	1-100-907-11	CERAMIC CHIP 0.1UF	10% 10V	C7304	1-100-907-11	CERAMIC CHIP 0.1UF	10% 10V
C7124	1-100-907-11	CERAMIC CHIP 0.1UF	10% 10V	C7305	1-100-905-11	CERAMIC CHIP 0.001UF	10% 50V
C7125	1-100-907-11	CERAMIC CHIP 0.1UF	10% 10V	C7306	1-100-907-11	CERAMIC CHIP 0.1UF	10% 10V
C7126	1-100-907-11	CERAMIC CHIP 0.1UF	10% 10V	C7307	1-100-905-11	CERAMIC CHIP 0.001UF	10% 50V
C7127	1-100-907-11	CERAMIC CHIP 0.1UF	10% 10V	C7308	1-100-907-11	CERAMIC CHIP 0.1UF	10% 10V
C7131	1-164-850-11	CERAMIC CHIP 10PF	0.50PF 50V	C7309	1-100-907-11	CERAMIC CHIP 0.1UF	10% 10V
C7132	1-164-850-11	CERAMIC CHIP 10PF	0.50PF 50V	C7310	1-100-907-11	CERAMIC CHIP 0.1UF	10% 10V
C7133	1-164-850-11	CERAMIC CHIP 10PF	0.50PF 50V	C7311	1-100-907-11	CERAMIC CHIP 0.1UF	10% 10V
C7134	1-100-911-11	CERAMIC CHIP 4.7UF	10% 25V	C7312	1-100-907-11	CERAMIC CHIP 0.1UF	10% 10V
C7135	1-100-907-11	CERAMIC CHIP 0.1UF	10% 10V	C7313	1-100-907-11	CERAMIC CHIP 0.1UF	10% 10V
C7136	1-100-907-11	CERAMIC CHIP 0.1UF	10% 10V	C7314	1-100-907-11	CERAMIC CHIP 0.1UF	10% 10V
C7137	1-100-911-11	CERAMIC CHIP 4.7UF	10% 25V	C7315	1-117-720-11	CERAMIC CHIP 4.7UF	10V
C7138	1-100-907-11	CERAMIC CHIP 0.1UF	10% 10V	C7316	1-100-907-11	CERAMIC CHIP 0.1UF	10% 10V
C7139	1-100-907-11	CERAMIC CHIP 0.1UF	10% 10V	C7400	1-100-907-11	CERAMIC CHIP 0.1UF	10% 10V
C7140	1-100-907-11	CERAMIC CHIP 0.1UF	10% 10V	C7401	1-126-394-11	ELECT CHIP 10UF	20.00% 16V
C7141	1-100-552-21	ELECT CHIP 10UF	20% 25V	C7402	1-126-394-11	ELECT CHIP 10UF	20.00% 16V
C7142	1-100-907-11	CERAMIC CHIP 0.1UF	10% 10V	C7403	1-112-064-11	CERAMIC CHIP 2.2UF	10% 10V
C7143	1-100-907-11	CERAMIC CHIP 0.1UF	10% 10V	C7404	1-112-064-11	CERAMIC CHIP 2.2UF	10% 10V
C7144	1-100-907-11	CERAMIC CHIP 0.1UF	10% 10V	C7405	1-162-969-11	CERAMIC CHIP 0.0068UF	10.00% 25V
C7200	1-100-907-11	CERAMIC CHIP 0.1UF	10% 10V	C7406	1-162-969-11	CERAMIC CHIP 0.0068UF	10.00% 25V
C7201	1-112-781-11	CERAMIC CHIP 1UF	10% 10V	C7420	1-100-907-11	CERAMIC CHIP 0.1UF	10% 10V
C7202	1-100-907-11	CERAMIC CHIP 0.1UF	10% 10V	C7421	1-100-905-11	CERAMIC CHIP 0.001UF	10% 50V
C7203	1-100-907-11	CERAMIC CHIP 0.1UF	10% 10V	C7422	1-100-907-11	CERAMIC CHIP 0.1UF	10% 10V
C7204	1-100-907-11	CERAMIC CHIP 0.1UF	10% 10V	C7423	1-112-780-11	CERAMIC CHIP 0.47UF	10% 16V
C7205	1-100-905-11	CERAMIC CHIP 0.001UF	10% 50V	C7440	1-117-681-11	ELECT CHIP 100UF	20.00% 16V
C7206	1-100-907-11	CERAMIC CHIP 0.1UF	10% 10V	C7441	1-164-866-11	CERAMIC CHIP 47PF	5.00% 50V
C7207	1-117-728-81	CERAMIC CHIP 1PF	0.1PF 16V	C7442	1-100-916-11	CERAMIC CHIP 0.1UF	10% 16V
C7208	1-117-728-81	CERAMIC CHIP 1PF	0.1PF 16V	C7443	1-117-739-81	CERAMIC CHIP 3PF	0.1PF 16V
C7209	1-100-911-11	CERAMIC CHIP 4.7UF	10% 25V	C7601	1-100-907-11	CERAMIC CHIP 0.1UF	10% 10V
C7210	1-117-720-11	CERAMIC CHIP 4.7UF	10V	C7602	1-112-791-11	ELECT CHIP 100UF	20% 16V
C7211	1-100-907-11	CERAMIC CHIP 0.1UF	10% 10V	C7603	1-100-911-11	CERAMIC CHIP 4.7UF	10% 25V
C7212	1-100-907-11	CERAMIC CHIP 0.1UF	10% 10V	C7604	1-112-780-11	CERAMIC CHIP 0.47UF	10% 16V
C7213	1-100-907-11	CERAMIC CHIP 0.1UF	10% 10V	C7605	1-164-864-11	CERAMIC CHIP 39PF	5.00% 50V
C7214	1-100-907-11	CERAMIC CHIP 0.1UF	10% 10V	C7606	1-100-911-11	CERAMIC CHIP 4.7UF	10% 25V
C7215	1-100-907-11	CERAMIC CHIP 0.1UF	10% 10V	C7607	1-100-911-11	CERAMIC CHIP 4.7UF	10% 25V
C7216	1-100-907-11	CERAMIC CHIP 0.1UF	10% 10V	C7608	1-100-907-11	CERAMIC CHIP 0.1UF	10% 10V
C7217	1-100-907-11	CERAMIC CHIP 0.1UF	10% 10V	C7609	1-100-907-11	CERAMIC CHIP 0.1UF	10% 10V
C7218	1-100-907-11	CERAMIC CHIP 0.1UF	10% 10V	C7610	1-112-066-11	CERAMIC CHIP 10UF	10% 10V
C7219	1-117-720-11	CERAMIC CHIP 4.7UF	10V	C7611	1-128-590-11	ELECT CHIP 100UF	20% 6.3V
C7220	1-126-392-11	ELECT CHIP 100UF	20.00% 6.3V	C7612	1-115-412-11	CERAMIC CHIP 680PF	5.00% 25V
C7221	1-100-907-11	CERAMIC CHIP 0.1UF	10% 10V	C7613	1-164-245-11	CERAMIC CHIP 0.015UF	10.00% 25V
C7222	1-164-860-11	CERAMIC CHIP 27PF	5.00% 50V	C7614	1-100-912-11	CERAMIC CHIP 1UF	10% 25V
C7223	1-164-870-11	CERAMIC CHIP 68PF	5.00% 50V	C7615	1-100-916-11	CERAMIC CHIP 0.1UF	10% 16V
C7224	1-164-874-11	CERAMIC CHIP 100PF	5.00% 50V	C7616	1-100-912-11	CERAMIC CHIP 1UF	10% 25V
C7225	1-164-874-11	CERAMIC CHIP 100PF	5.00% 50V	C7617	1-112-066-11	CERAMIC CHIP 10UF	10% 10V

REF.NO.	PART.NO	DESCRIPTION	REMARK	REF.NO.	PART.NO	DESCRIPTION	REMARK
C7618	1-164-245-11	CERAMIC CHIP 0.015UF	10.00% 25V	D1210	6-501-732-01	DIODE MAZ8056G0LS0	
C7619	1-115-412-11	CERAMIC CHIP 680PF	5.00% 25V	D1304	6-501-758-01	DIODE MAZ8100G0LS0	
C7620	1-112-066-11	CERAMIC CHIP 10UF	10% 10V	D1305	6-501-770-01	DIODE MAZ8130G0LS0	
C7621	1-164-876-11	CERAMIC CHIP 120PF	5.00% 50V	D1306	6-501-758-01	DIODE MAZ8100G0LS0	
C7622	1-115-566-11	CERAMIC CHIP 4.7UF	10.00% 10V	D1307	6-501-758-01	DIODE MAZ8100G0LS0	
C7623	1-165-882-91	CERAMIC CHIP 2.2UF	50V	D1308	6-501-732-01	DIODE MAZ8056G0LS0	
C7625	1-112-066-11	CERAMIC CHIP 10UF	10% 10V	D1309	6-501-758-01	DIODE MAZ8100G0LS0	
C7626	1-100-907-11	CERAMIC CHIP 0.1UF	10% 10V	D1310	6-501-732-01	DIODE MAZ8056G0LS0	
C7627	1-112-066-11	CERAMIC CHIP 10UF	10% 10V	D1350	6-501-732-01	DIODE MAZ8056G0LS0	
C7629	1-126-392-11	ELECT CHIP 100UF	20.00% 6.3V	D1900	8-719-058-24	DIODE RB501V-40TE-17	
C7630	1-100-907-11	CERAMIC CHIP 0.1UF	10% 10V	D2014	6-501-756-01	DIODE MAZ8091GMLS0	
C7633	1-100-907-11	CERAMIC CHIP 0.1UF	10% 10V	D2018	6-501-732-01	DIODE MAZ8056G0LS0	
C7634	1-164-874-11	CERAMIC CHIP 100PF	5.00% 50V	D2019	6-501-732-01	DIODE MAZ8056G0LS0	
C7635	1-164-874-11	CERAMIC CHIP 100PF	5.00% 50V	D2020	6-501-732-01	DIODE MAZ8056G0LS0	
C7636	1-162-959-11	CERAMIC CHIP 330PF	5.00% 50V	D2021	6-501-732-01	DIODE MAZ8056G0LS0	
C7637	1-112-064-11	CERAMIC CHIP 2.2UF	10% 10V	D2022	6-501-732-01	DIODE MAZ8056G0LS0	
C7638	1-164-937-11	CERAMIC CHIP 0.001UF	10.00% 50V	D3002	8-719-071-87	DIODE MAZ785-(TX),SO	
C7639	1-112-777-11	CERAMIC CHIP 0.01UF	10% 25V	D3006	6-501-817-01	DIODE MA2J1110GLS0	
C7640	1-164-937-11	CERAMIC CHIP 0.001UF	10.00% 50V	D3007	8-719-077-59	DIODE 1PS302	
C7641	1-112-777-11	CERAMIC CHIP 0.01UF	10% 25V	D3020	6-501-732-01	DIODE MAZ8056G0LS0	
C7642	1-112-777-11	CERAMIC CHIP 0.01UF	10% 25V	D3021	6-501-732-01	DIODE MAZ8056G0LS0	
C7643	1-100-905-11	CERAMIC CHIP 0.001UF	10% 50V	D4005	6-501-732-01	DIODE MAZ8056G0LS0	
C7644	1-100-905-11	CERAMIC CHIP 0.001UF	10% 50V	D4006	6-501-657-01	DIODE MA24D5000BS0	
C7645	1-164-874-11	CERAMIC CHIP 100PF	5.00% 50V	D4007	6-501-657-01	DIODE MA24D5000BS0	
C7646	1-164-937-11	CERAMIC CHIP 0.001UF	10.00% 50V	D4008	6-501-528-01	DIODE 1SMA5915BT3G	
C7647	1-100-162-91	CERAMIC CHIP 1UF	50V	D4010	6-501-528-01	DIODE 1SMA5915BT3G	
C7648	1-100-907-11	CERAMIC CHIP 0.1UF	10% 10V	D4013	8-719-066-11	DIODE 1PS184-115	
< CONNECTOR >				D4014	8-719-066-11	DIODE 1PS184-115	
CN1400	*1-819-928-11	HEADER ASSEMBLY 20P		D4015	8-719-083-58	DIODE UDZSTE-173.9B	
CN2000	*1-819-461-11	HEADER ASSEMBLY FOR PWB 4P		D4054	6-501-817-01	DIODE MA2J1110GLS0	
CN3003	*1-779-331-51	CONNECTOR, FFC/FPC 14P		D5000	6-501-732-01	DIODE MAZ8056G0LS0	
CN3004	*1-779-936-51	CONNECTOR, FFC/FPC 18P		D5001	6-501-732-01	DIODE MAZ8056G0LS0	
CN3008	*1-819-928-11	HEADER ASSEMBLY 20P		D5002	6-501-732-01	DIODE MAZ8056G0LS0	
CN4001	*1-820-550-11	HEADER ASSEMBLY FOR PWB 12P		D5003	8-719-050-38	DIODE M1MA152WK-T1	
CN4002	*1-819-463-11	HEADER ASSEMBLY FOR PWB 6P		D5508	6-501-817-01	DIODE MA2J1110GLS0	
CN4003	*1-819-333-11	HEADER ASSEMBLY FOR PWB 5P		D5516	6-501-817-01	DIODE MA2J1110GLS0	
CN4500	*1-819-106-12	HEADER ASSEMBLY 40P		D5525	6-501-817-01	DIODE MA2J1110GLS0	
CN5504	*1-820-667-11	HEADER ASSEMBLY FOR PWB 21P		D5528	6-501-817-01	DIODE MA2J1110GLS0	
CN7300	*1-793-769-21	CONNECTOR, CARD (PCMCIA CARD)		D5620	6-500-813-01	DIODE MA2SD32008S0	
CN7503	*1-820-209-11	MEMORY STICK CONNECTOR		D7420	8-719-066-11	DIODE 1PS184-115	
< DIODE >				D7604	8-719-056-48	DIODE 1SS388 (TPL3)	
D1204	6-501-758-01	DIODE MAZ8100G0LS0		ET4001	1-780-482-11	EARTH TERMINAL	
D1205	6-501-770-01	DIODE MAZ8130G0LS0		ET4002	1-780-482-11	EARTH TERMINAL	
D1206	6-501-758-01	DIODE MAZ8100G0LS0		ET4003	1-780-482-11	EARTH TERMINAL	
D1207	6-501-758-01	DIODE MAZ8100G0LS0		ET4004	1-780-482-11	EARTH TERMINAL	
D1208	6-501-732-01	DIODE MAZ8056G0LS0		ET4005	1-780-482-11	EARTH TERMINAL	
D1209	6-501-758-01	DIODE MAZ8100G0LS0		ET4006	1-780-482-11	EARTH TERMINAL	
				ET4007	1-780-482-11	EARTH TERMINAL	

Note : The components identified by shading and marked Δ are critical for safety. Replace only with the part numbers specified in the parts list.

BE1

REF.NO.	PART.NO	DESCRIPTION	REMARK	REF.NO.	PART.NO	DESCRIPTION	REMARK
< FUSE >							
F1900	Δ 1-576-646-11	FUSE	0.5A 50V	FB4011	1-400-591-22	FERRITE	OUH
F1901	Δ 1-576-646-11	FUSE	0.5A 50V	FB4055	1-400-089-21	FERRITE	OUH
F2000	Δ 1-576-958-21	FUSE	4A 24V	FB4056	1-414-445-11	FERRITE	OUH
F2001	Δ 1-576-913-11	FUSE	1.6A 32V	FB4058	1-400-089-21	FERRITE	OUH
F2002	Δ 1-576-646-11	FUSE	0.5A 50V	FB4501	1-469-669-21	FERRITE	OUH
F2003	Δ 1-576-646-11	FUSE	0.5A 50V	FB4701	1-400-794-21	FERRITE	OUH
F3001	Δ 1-576-646-11	FUSE	0.5A 50V	FB4702	1-400-110-21	FERRITE	OUH
F4001	Δ 1-576-603-21	FUSE	3.15A 24V	FB4703	1-400-110-21	FERRITE	OUH
F4002	Δ 1-576-603-21	FUSE	3.15A 24V	FB4705	1-400-110-21	FERRITE	OUH
F4003	Δ 1-576-933-21	FUSE	5A 24V	FB4706	1-400-110-21	FERRITE	OUH
F4006	Δ 1-576-913-11	FUSE	1.6A 32V	FB4744	1-400-177-21	FERRITE	OUH
F4800	Δ 1-576-646-11	FUSE	0.5A 50V	FB5000	1-469-100-21	FERRITE	OUH
F6700	Δ 1-576-646-11	FUSE	0.5A 50V	FB5001	1-469-100-21	FERRITE	OUH
F6701	Δ 1-576-646-11	FUSE	0.5A 50V	FB5002	1-469-100-21	FERRITE	OUH
F7100	Δ 1-576-415-11	FUSE	2A 32V	FB5004	1-469-100-21	FERRITE	OUH
F7200	Δ 1-576-415-11	FUSE	2A 32V	FB5005	1-400-110-21	FERRITE	OUH
F7201	Δ 1-576-646-11	FUSE	0.5A 50V	FB5006	1-469-100-21	FERRITE	OUH
F7300	Δ 1-576-406-11	FUSE	1.4A 32V	FB5501	1-469-100-21	FERRITE	OUH
F7440	Δ 1-576-646-11	FUSE	0.5A 50V	FB6700	1-469-869-21	FERRITE	OUH
F7600	Δ 1-576-603-21	FUSE	3.15A 24V	FB6701	1-469-869-21	FERRITE	OUH
F7601	Δ 1-576-879-21	FUSE	0.2A 32V	FB6702	1-400-834-11	FERRITE	OUH
F7602	Δ 1-576-415-11	FUSE	2A 32V	FB6703	1-469-869-21	FERRITE	OUH
F7603	Δ 1-576-415-11	FUSE	2A 32V	FB6705	1-469-869-21	FERRITE	OUH
< FERRITE BEAD >				FB6706	1-400-834-11	FERRITE	OUH
FB2001	1-400-794-21	FERRITE	OUH	FB6707	1-400-834-11	FERRITE	OUH
FB2002	1-400-794-21	FERRITE	OUH	FB6708	1-400-834-11	FERRITE	OUH
FB2003	1-400-040-22	FERRITE	OUH	FB6709	1-400-834-11	FERRITE	OUH
FB2004	1-400-040-22	FERRITE	OUH	FB6710	1-400-834-11	FERRITE	OUH
FB2005	1-400-794-21	FERRITE	OUH	FB6711	1-400-834-11	FERRITE	OUH
FB2006	1-400-089-21	FERRITE	OUH	FB6712	1-400-834-11	FERRITE	OUH
FB2007	1-400-089-21	FERRITE	OUH	FB6713	1-400-834-11	FERRITE	OUH
FB2008	1-400-089-21	FERRITE	OUH	FB6714	1-400-834-11	FERRITE	OUH
FB2009	1-400-089-21	FERRITE	OUH	FB6715	1-400-834-11	FERRITE	OUH
FB2012	1-400-089-21	FERRITE	OUH	FB6716	1-400-834-11	FERRITE	OUH
FB2015	1-400-212-22	FERRITE	OUH	FB6717	1-400-834-11	FERRITE	OUH
FB2016	1-400-110-21	FERRITE	OUH	FB6718	1-400-834-11	FERRITE	OUH
FB3001	1-400-110-21	FERRITE	OUH	FB6719	1-400-834-11	FERRITE	OUH
FB4001	1-400-089-21	FERRITE	OUH	FB7101	1-469-869-21	FERRITE	OUH
FB4002	1-400-110-21	FERRITE	OUH	FB7102	1-469-869-21	FERRITE	OUH
FB4003	1-400-089-21	FERRITE	OUH	FB7103	1-469-869-21	FERRITE	OUH
FB4004	1-400-794-21	FERRITE	OUH	FB7104	1-469-869-21	FERRITE	OUH
FB4005	1-414-445-11	FERRITE	OUH	FB7105	1-400-244-11	FERRITE	OUH
FB4006	1-414-445-11	FERRITE	OUH	FB7106	1-400-244-11	FERRITE	OUH
FB4007	1-414-445-11	FERRITE	OUH	FB7107	1-400-244-11	FERRITE	OUH
FB4008	1-400-591-22	FERRITE	OUH	FB7108	1-400-244-11	FERRITE	OUH
FB4009	1-400-591-22	FERRITE	OUH	FB7118	1-400-834-11	FERRITE	OUH
FB4010	1-400-591-22	FERRITE	OUH	FB7119	1-469-869-21	FERRITE	OUH
				FB7120	1-218-990-81	SHORT CHIP	0
				FB7121	1-218-990-81	SHORT CHIP	0
				FB7122	1-218-990-81	SHORT CHIP	0

REF.NO.	PART.NO	DESCRIPTION	REMARK	REF.NO.	PART.NO	DESCRIPTION	REMARK
FB7123	1-218-990-81	SHORT CHIP	0	IC2005	6-708-762-01	IC PQ200WNA1ZPH	
FB7124	1-218-990-81	SHORT CHIP	0	IC2006	8-759-278-58	IC NJM4558V-TE2	
FB7125	1-218-990-81	SHORT CHIP	0	IC2007	6-709-927-01	IC RT8H225C-TP-2	
FB7126	1-218-990-81	SHORT CHIP	0	IC2008	6-709-927-01	IC RT8H225C-TP-2	
FB7127	1-218-990-81	SHORT CHIP	0	IC2009	6-710-904-01	IC TPA3100D2PHPR	
FB7128	1-218-990-81	SHORT CHIP	0	IC2010	8-759-359-49	IC NJM3414AV (TE2)	
FB7129	1-218-990-81	SHORT CHIP	0	IC2011	6-709-927-01	IC RT8H225C-TP-2	
FB7130	1-218-990-81	SHORT CHIP	0	IC2014	8-759-592-48	IC TC7SZ32FU (TE85R)	
FB7131	1-218-990-81	SHORT CHIP	0	IC3001	6-708-219-01	IC MB91305PMC-G-BNDE1	
FB7132	1-218-990-81	SHORT CHIP	0	IC3002	6-708-050-01	IC S29AL016D70TFI010	
FB7133	1-218-990-81	SHORT CHIP	0	IC3003	6-706-419-01	IC LM393DT (A)	
FB7200	1-400-244-11	FERRITE	OUH	IC3004	6-703-175-01	IC PST3629UL	
FB7201	1-400-244-11	FERRITE	OUH	IC3005	6-710-121-01	IC M24256-BWMN6TP (A)	
FB7202	1-400-834-11	FERRITE	OUH	IC3006	6-709-512-01	IC S-1132B18-M5T1G	
FB7300	1-400-834-11	FERRITE	OUH	IC3007	6-709-731-01	IC ADT75ARZ-REEL	
FB7303	1-400-834-11	FERRITE	OUH	IC3008	6-707-867-01	IC TC74VHC132FT (EKJ)	
FB7304	1-400-834-11	FERRITE	OUH	IC3009	6-709-517-01	IC S-35390A-J8T1G	
FB7305	1-400-834-11	FERRITE	OUH	IC4001	6-710-922-01	IC BD9853AFV-E2	
FB7306	1-400-834-11	FERRITE	OUH	IC4002	6-708-862-01	IC MM1662FTRE	
FB7307	1-400-834-11	FERRITE	OUH	IC4003	6-709-974-01	IC PQ1LAX95MSPQ	
FB7308	1-400-834-11	FERRITE	OUH	IC4511	6-710-366-01	IC 74LVC1G04GW-125	
FB7309	1-400-834-11	FERRITE	OUH	IC4701	8-759-651-59	IC SN74CBTLV3245APWR	
FB7310	1-400-834-11	FERRITE	OUH	IC4702	8-759-651-59	IC SN74CBTLV3245APWR	
FB7311	1-469-869-21	FERRITE	OUH	IC4703	6-706-491-01	IC TC7SH86FU (T5RSOYJF)	
FB7600	1-469-869-21	FERRITE	OUH	IC4800	6-710-903-01	IC BH7641FV-E2	
FB7602	1-469-869-21	FERRITE	OUH	IC4900	6-710-708-01	IC EM6A9320BI-5MGM	
FB7603	1-400-110-21	FERRITE	OUH	IC5000	6-704-600-01	IC M24C02-WMN6T (B)	
FB7604	1-400-110-21	FERRITE	OUH	IC5001	6-707-846-01	IC TC74LCX14FT (EKJ)	
FB7605	1-400-915-21	FERRITE	OUH	IC5500	6-710-819-01	IC TMDS341APFCR	
FB7606	1-469-869-21	FERRITE	OUH	IC5501	6-704-001-01	IC BR24L02F-WE2	
< FILTER >				IC5503	6-704-001-01	IC BR24L02F-WE2	
FL3001	1-234-177-21	FERRITE	OUH	IC5504	6-708-758-01	IC PCA9517DP.118	
FL4701	1-234-177-21	FERRITE	OUH	IC5510	8-759-596-34	IC SN74LV4053APWR	
FL4703	1-234-177-21	FERRITE	OUH	IC6700	6-709-257-01	IC 74LVC4066PW	
FL4705	1-234-177-21	FERRITE	OUH	IC7100	6-709-214-01	IC UPD61123F1-100-KA3-A	
FL4706	1-234-177-21	FERRITE	OUH	IC7200	6-708-910-01	IC NAND128W3A2BN6F	
FL4707	1-234-177-21	FERRITE	OUH	IC7201	6-711-154-01	IC EDD2516AETA-6B-E	
FL4900	1-234-177-21	FERRITE	OUH	IC7202	6-708-916-01	IC ICS7150MLFT	
FL4901	1-234-177-21	FERRITE	OUH	IC7300	6-706-482-01	IC TC7SH00FU (T5RSOYJF)	
FL5501	1-234-177-21	FERRITE	OUH	IC7301	6-707-850-01	IC TC74LCX245FT (EKJ)	
FL5502	1-234-177-21	FERRITE	OUH	IC7304	6-706-482-01	IC TC7SH00FU (T5RSOYJF)	
FL6800	1-239-899-21	FERRITE	OUH	IC7305	6-707-846-01	IC TC74LCX14FT (EKJ)	
FL7440	1-234-558-21	FILTER, LOW PASS		IC7306	6-707-853-01	IC TC74LCX541FT (EKJ)	
< IC >				IC7307	6-707-853-01	IC TC74LCX541FT (EKJ)	
IC2001	6-702-714-01	IC MSP3417G-QG-B8V3		IC7308	6-707-853-01	IC TC74LCX541FT (EKJ)	
IC2002	6-711-253-01	IC CXD9890AQ		IC7309	6-707-853-01	IC TC74LCX541FT (EKJ)	
IC2003	8-759-278-58	IC NJM4558V-TE2		IC7310	6-707-853-01	IC TC74LCX541FT (EKJ)	
IC2004	8-759-278-58	IC NJM4558V-TE2		IC7311	6-707-853-01	IC TC74LCX541FT (EKJ)	
				IC7312	6-710-593-01	IC MIC2025-1YM	
				IC7400	6-710-905-01	IC AK4388ET-E2	

Note : The components identified by shading and marked Δ are critical for safety. Replace only with the part numbers specified in the parts list.

BE1

REF.NO.	PART.NO	DESCRIPTION	REMARK	REF.NO.	PART.NO	DESCRIPTION	REMARK
IC7420	6-703-175-01	IC PST3629UL		L4800	1-469-557-21	INDUCTOR	22UH
IC7600	6-706-106-01	IC NCP1117STAT3		L4900	1-400-794-21	FERRITE	0UH
IC7601	6-708-603-01	IC PQ070XNA1ZPH		L4901	1-400-794-21	FERRITE	0UH
IC7602	6-710-922-01	IC BD9853AFV-E2		L5501	1-457-223-11	INDUCTOR	0UH
IC7603	6-706-106-01	IC NCP1117STAT3		L5502	1-457-223-11	INDUCTOR	0UH
IC7604	6-710-968-01	IC PQ6CU12X2APQ		L5503	1-457-223-11	INDUCTOR	0UH
	< SOCKET >			L5504	1-457-223-11	INDUCTOR	0UH
J1100	1-821-055-11	PHONO JACK 5P		L5505	1-457-223-11	INDUCTOR	0UH
J1200	1-821-054-11	21PIN SOCKET		L5506	1-457-223-11	INDUCTOR	0UH
J1300	1-821-054-11	21PIN SOCKET		L5507	1-457-223-11	INDUCTOR	0UH
J1700	1-821-026-11	OPTICAL OUT TERMINAL		L5508	1-457-223-11	INDUCTOR	0UH
J1701	1-820-765-11	PHONO JACK 2P		L6700	1-410-993-42	INDUCTOR	1UH
J1710	1-820-638-11	JACK (SMALL TYPE)		L6701	1-410-993-42	INDUCTOR	1UH
J1720	1-820-765-11	PHONO JACK 2P		L6800	1-416-511-11	INDUCTOR	47UH
J5000	1-821-013-11	D SUB CONNECTOR		L6809	1-412-006-31	INDUCTOR	10UH
J5502	1-818-737-11	HDMI CONNECTOR		L7100	1-412-058-11	INDUCTOR	10UH
J5503	1-818-737-11	HDMI CONNECTOR		L7200	1-412-008-31	INDUCTOR	15UH
	< COIL >			L7440	1-469-555-21	INDUCTOR	10UH
L1200	1-469-555-21	INDUCTOR	10UH	L7441	1-412-989-11	INDUCTOR	6.8UH
L1900	1-469-555-21	INDUCTOR	10UH	L7600	1-457-428-11	INDUCTOR	4.7UH
L1901	1-469-557-21	INDUCTOR	22UH	L7601	1-457-428-11	INDUCTOR	4.7UH
L2000	1-469-555-21	INDUCTOR	10UH	L7604	1-456-218-21	INDUCTOR	22UH
L2001	1-412-990-41	INDUCTOR	8.2UH	L7605	1-469-555-21	INDUCTOR	10UH
L2002	1-469-555-21	INDUCTOR	10UH		< PROTECTOR MODULE >		
L2007	1-469-555-21	INDUCTOR	10UH	PS1200 Δ	1-576-646-11	FUSE	0.5A 50V
L2008	1-469-555-21	INDUCTOR	10UH	PS5000 Δ	1-576-646-11	FUSE	0.5A 50V
L2009	1-469-555-21	INDUCTOR	10UH		< TRANSISTOR >		
L2010	1-469-555-21	INDUCTOR	10UH	Q1200	8-729-620-07	TRANSISTOR 2SC3052EF-T1-LEF	
L2011	1-469-555-21	INDUCTOR	10UH	Q1300	8-729-620-07	TRANSISTOR 2SC3052EF-T1-LEF	
L2014	1-469-555-21	INDUCTOR	10UH	Q1900	6-551-696-01	TRANSISTOR ISA1235AC1TP-1EF	
L2015	1-469-555-21	INDUCTOR	10UH	Q1901	8-729-620-07	TRANSISTOR 2SC3052EF-T1-LEF	
L2016	1-481-083-11	INDUCTOR	22UH	Q2000	8-729-620-07	TRANSISTOR 2SC3052EF-T1-LEF	
L2017	1-412-058-11	INDUCTOR	10UH	Q2001	6-551-696-01	TRANSISTOR ISA1235AC1TP-1EF	
L2022	1-457-429-11	INDUCTOR	22UH	Q2003	8-729-028-96	TRANSISTOR DTC114EUA-T106	
L2023	1-457-429-11	INDUCTOR	22UH	Q2004	6-551-677-01	TRANSISTOR RTAN140M-T111-1	
L2024	1-457-429-11	INDUCTOR	22UH	Q2005	6-551-677-01	TRANSISTOR RTAN140M-T111-1	
L2025	1-457-429-11	INDUCTOR	22UH	Q2006	8-729-028-96	TRANSISTOR DTC114EUA-T106	
L3002	1-400-794-21	FERRITE	0UH	Q2007	6-551-677-01	TRANSISTOR RTAN140M-T111-1	
L4001	1-457-195-11	INDUCTOR	4.7UH	Q2008	6-551-677-01	TRANSISTOR RTAN140M-T111-1	
L4002	1-457-195-11	INDUCTOR	4.7UH	Q2009	8-729-028-96	TRANSISTOR DTC114EUA-T106	
L4500	1-457-360-21	INDUCTOR	0UH	Q2010	8-729-013-28	TRANSISTOR HN1B01FU-TE85R	
L4501	1-457-360-21	INDUCTOR	0UH	Q2012	6-551-271-01	TRANSISTOR RT3AMMM	
L4502	1-457-360-21	INDUCTOR	0UH	Q2013	6-551-271-01	TRANSISTOR RT3AMMM	
L4503	1-457-360-21	INDUCTOR	0UH	Q2016	8-729-028-96	TRANSISTOR DTC114EUA-T106	
L4504	1-457-360-21	INDUCTOR	0UH	Q2017	8-729-028-96	TRANSISTOR DTC114EUA-T106	
L4505	1-400-177-21	FERRITE	0UH	Q2018	8-729-028-97	TRANSISTOR DTC114TUA-T106	
L4507	1-457-360-21	INDUCTOR	0UH	Q2019	6-551-677-01	TRANSISTOR RTAN140M-T111-1	
L4701	1-400-794-21	FERRITE	0UH				

REF.NO.	PART.NO	DESCRIPTION	REMARK	REF.NO.	PART.NO	DESCRIPTION	REMARK
Q2020	6-551-677-01	TRANSISTOR RTAN140M-T111-1		Q6701	6-550-237-01	TRANSISTOR 2SC5658T2LQ/R	
Q2023	8-729-028-96	TRANSISTOR DTC114EUA-T106		Q6702	6-550-237-01	TRANSISTOR 2SC5658T2LQ/R	
Q2024	8-729-028-91	TRANSISTOR DTA144EUA-T106		Q6703	6-550-871-01	TRANSISTOR 2SA2048TL QR	
Q2025	6-551-677-01	TRANSISTOR RTAN140M-T111-1		Q6704	6-550-871-01	TRANSISTOR 2SA2048TL QR	
Q2026	6-551-677-01	TRANSISTOR RTAN140M-T111-1		Q6705	6-550-871-01	TRANSISTOR 2SA2048TL QR	
Q2027	6-550-871-01	TRANSISTOR 2SA2048TL QR		Q6706	6-550-237-01	TRANSISTOR 2SC5658T2LQ/R	
Q2028	8-729-620-07	TRANSISTOR 2SC3052EF-T1-LEF		Q6707	6-550-232-01	TRANSISTOR 2SA2029T2LQ/R	
Q2029	8-729-028-96	TRANSISTOR DTC114EUA-T106		Q6710	8-729-907-00	TRANSISTOR DTC114EU	
Q2030	8-729-028-96	TRANSISTOR DTC114EUA-T106		Q7200	6-550-232-01	TRANSISTOR 2SA2029T2LQ/R	
Q2031	8-729-028-96	TRANSISTOR DTC114EUA-T106		Q7400	8-729-907-00	TRANSISTOR DTC114EU	
Q2032	8-729-028-96	TRANSISTOR DTC114EUA-T106		Q7401	8-729-907-00	TRANSISTOR DTC114EU	
Q2045	6-551-677-01	TRANSISTOR RTAN140M-T111-1		Q7420	8-729-907-00	TRANSISTOR DTC114EU	
Q2046	6-551-677-01	TRANSISTOR RTAN140M-T111-1		Q7421	8-729-907-00	TRANSISTOR DTC114EU	
Q3001	6-551-387-01	TRANSISTOR SSM6N16FU		Q7440	6-551-696-01	TRANSISTOR ISA1235AC1TP-1EF	
Q3002	6-551-420-01	TRANSISTOR RT1N151M-TP-1		Q7441	6-551-696-01	TRANSISTOR ISA1235AC1TP-1EF	
Q3003	8-729-028-74	TRANSISTOR DTA114TUA-T106		Q7442	8-729-620-07	TRANSISTOR 2SC3052EF-T1-LEF	
Q3004	8-729-013-28	TRANSISTOR HN1B01FU-TE85R		Q7600	6-550-828-01	TRANSISTOR RSQ035P03TR	
Q3005	8-729-028-74	TRANSISTOR DTA114TUA-T106		Q7601	6-550-828-01	TRANSISTOR RSQ035P03TR	
Q3006	6-550-260-01	TRANSISTOR RT1N237M-TP-1		Q7602	6-551-334-01	TRANSISTOR RTL035N03TR	
Q3007	8-729-028-96	TRANSISTOR DTC114EUA-T106		Q7603	6-551-334-01	TRANSISTOR RTL035N03TR	
Q3008	6-551-424-01	TRANSISTOR RT1P151M-TP-1		< RESISTOR >			
Q4005	6-550-828-01	TRANSISTOR RSQ035P03TR		R1102	1-218-831-11	METAL CHIP 220 0.5% 1/10W	
Q4006	6-550-828-01	TRANSISTOR RSQ035P03TR		R1103	1-218-831-11	METAL CHIP 220 0.5% 1/10W	
Q4007	6-550-355-01	TRANSISTOR RTQ045N03TR		R1104	1-218-831-11	METAL CHIP 220 0.5% 1/10W	
Q4008	6-550-355-01	TRANSISTOR RTQ045N03TR		R1105	1-218-933-11	RES-CHIP 22 5% 1/16W	
Q4011	8-729-028-96	TRANSISTOR DTC114EUA-T106		R1106	1-218-831-11	METAL CHIP 220 0.5% 1/10W	
Q4014	8-729-028-96	TRANSISTOR DTC114EUA-T106		R1107	1-218-831-11	METAL CHIP 220 0.5% 1/10W	
Q4015	8-729-028-96	TRANSISTOR DTC114EUA-T106		R1108	1-218-831-11	METAL CHIP 220 0.5% 1/10W	
Q4016	8-729-028-97	TRANSISTOR DTC114TUA-T106		R1109	1-218-933-11	RES-CHIP 22 5% 1/16W	
Q4017	8-729-028-97	TRANSISTOR DTC114TUA-T106		R1110	1-218-831-11	METAL CHIP 220 0.5% 1/10W	
Q4018	8-729-028-96	TRANSISTOR DTC114EUA-T106		R1111	1-218-831-11	METAL CHIP 220 0.5% 1/10W	
Q4019	8-729-029-00	TRANSISTOR DTC115EUA-T106		R1112	1-218-831-11	METAL CHIP 220 0.5% 1/10W	
Q4020	8-729-028-96	TRANSISTOR DTC114EUA-T106		R1113	1-218-933-11	RES-CHIP 22 5% 1/16W	
Q4021	8-729-028-96	TRANSISTOR DTC114EUA-T106		R1114	1-218-957-11	RES-CHIP 2.2K 5% 1/16W	
Q4022	8-729-620-07	TRANSISTOR 2SC3052EF-T1-LEF		R1115	1-218-989-11	RES-CHIP 1M 5% 1/16W	
Q4501	8-729-028-86	TRANSISTOR DTA143EUA-T106		R1116	1-218-957-11	RES-CHIP 2.2K 5% 1/16W	
Q4502	8-729-028-96	TRANSISTOR DTC114EUA-T106		R1117	1-218-989-11	RES-CHIP 1M 5% 1/16W	
Q4503	6-551-387-01	TRANSISTOR SSM6N16FU		R1200	1-218-947-11	RES-CHIP 330 5% 1/16W	
Q4800	6-551-696-01	TRANSISTOR ISA1235AC1TP-1EF		R1201	1-218-945-11	RES-CHIP 220 5% 1/16W	
Q4801	6-551-696-01	TRANSISTOR ISA1235AC1TP-1EF		R1202	1-218-985-11	RES-CHIP 470K 5% 1/16W	
Q5503	8-729-028-28	TRANSISTOR 2SK2036 (TE85L)		R1203	1-218-953-11	RES-CHIP 1K 5% 1/16W	
Q5505	8-729-028-28	TRANSISTOR 2SK2036 (TE85L)		R1204	1-218-990-81	SHORT CHIP 0	
Q5507	8-729-028-96	TRANSISTOR DTC114EUA-T106		R1205	1-218-985-11	RES-CHIP 470K 5% 1/16W	
Q5509	8-729-028-96	TRANSISTOR DTC114EUA-T106		R1206	1-218-947-11	RES-CHIP 330 5% 1/16W	
Q5510	8-729-028-96	TRANSISTOR DTC114EUA-T106		R1207	1-218-945-11	RES-CHIP 220 5% 1/16W	
Q5620	6-551-699-01	TRANSISTOR ISA1602AM1TP-1EF		R1208	1-218-985-11	RES-CHIP 470K 5% 1/16W	
Q5621	8-729-620-13	TRANSISTOR 2SC4154TP-1EF		R1209	1-218-953-11	RES-CHIP 1K 5% 1/16W	
Q5622	8-729-620-13	TRANSISTOR 2SC4154TP-1EF		R1210	1-218-990-81	SHORT CHIP 0	
Q5623	8-729-028-96	TRANSISTOR DTC114EUA-T106		R1211	1-218-985-11	RES-CHIP 470K 5% 1/16W	
Q6700	8-729-907-00	TRANSISTOR DTC114EU					

REF.NO.	PART.NO	DESCRIPTION	REMARK	REF.NO.	PART.NO	DESCRIPTION	REMARK
R1212	1-218-831-11	METAL CHIP	220 0.5% 1/10W	R1321	1-218-831-11	METAL CHIP	220 0.5% 1/10W
R1213	1-218-831-11	METAL CHIP	220 0.5% 1/10W	R1322	1-218-941-81	RES-CHIP	100 5% 1/16W
R1214	1-218-831-11	METAL CHIP	220 0.5% 1/10W	R1323	1-218-831-11	METAL CHIP	220 0.5% 1/10W
R1215	1-218-941-81	RES-CHIP	100 5% 1/16W	R1324	1-218-831-11	METAL CHIP	220 0.5% 1/10W
R1216	1-208-923-11	METAL CHIP	33K 0.5% 1/16W	R1325	1-218-831-11	METAL CHIP	220 0.5% 1/10W
R1217	1-208-715-11	METAL CHIP	22K 0.5% 1/16W	R1326	1-218-941-81	RES-CHIP	100 5% 1/16W
R1218	1-218-941-81	RES-CHIP	100 5% 1/16W	R1327	1-218-831-11	METAL CHIP	220 0.5% 1/10W
R1219	1-218-831-11	METAL CHIP	220 0.5% 1/10W	R1328	1-218-831-11	METAL CHIP	220 0.5% 1/10W
R1220	1-218-831-11	METAL CHIP	220 0.5% 1/10W	R1329	1-218-831-11	METAL CHIP	220 0.5% 1/10W
R1221	1-218-831-11	METAL CHIP	220 0.5% 1/10W	R1330	1-218-949-11	RES-CHIP	470 5% 1/16W
R1222	1-218-941-81	RES-CHIP	100 5% 1/16W	R1331	1-218-951-11	RES-CHIP	680 5% 1/16W
R1223	1-218-831-11	METAL CHIP	220 0.5% 1/10W	R1332	1-218-831-11	METAL CHIP	220 0.5% 1/10W
R1224	1-218-831-11	METAL CHIP	220 0.5% 1/10W	R1333	1-218-831-11	METAL CHIP	220 0.5% 1/10W
R1225	1-218-831-11	METAL CHIP	220 0.5% 1/10W	R1334	1-218-831-11	METAL CHIP	220 0.5% 1/10W
R1226	1-218-941-81	RES-CHIP	100 5% 1/16W	R1335	1-218-941-81	RES-CHIP	100 5% 1/16W
R1227	1-218-831-11	METAL CHIP	220 0.5% 1/10W	R1337	1-218-285-11	METAL CHIP	75 5% 1/10W
R1228	1-218-831-11	METAL CHIP	220 0.5% 1/10W	R1338	1-218-953-11	RES-CHIP	1K 5% 1/16W
R1229	1-218-831-11	METAL CHIP	220 0.5% 1/10W	R1339	1-218-941-81	RES-CHIP	100 5% 1/16W
R1230	1-218-949-11	RES-CHIP	470 5% 1/16W	R1340	1-208-911-11	METAL CHIP	10K 0.5% 1/16W
R1231	1-218-951-11	RES-CHIP	680 5% 1/16W	R1341	1-208-911-11	METAL CHIP	10K 0.5% 1/16W
R1232	1-218-831-11	METAL CHIP	220 0.5% 1/10W	R1350	1-218-941-81	RES-CHIP	100 5% 1/16W
R1233	1-218-831-11	METAL CHIP	220 0.5% 1/10W	R1401	1-216-864-11	SHORT CHIP	0
R1234	1-218-831-11	METAL CHIP	220 0.5% 1/10W	R1402	1-218-990-81	SHORT CHIP	0
R1235	1-218-941-81	RES-CHIP	100 5% 1/16W	R1403	1-218-990-81	SHORT CHIP	0
R1237	1-218-285-11	METAL CHIP	75 5% 1/10W	R1404	1-218-990-81	SHORT CHIP	0
R1238	1-218-953-11	RES-CHIP	1K 5% 1/16W	R1405	1-218-990-81	SHORT CHIP	0
R1239	1-218-941-81	RES-CHIP	100 5% 1/16W	R1406	1-218-990-81	SHORT CHIP	0
R1240	1-208-911-11	METAL CHIP	10K 0.5% 1/16W	R1408	1-216-864-11	SHORT CHIP	0
R1241	1-208-911-11	METAL CHIP	10K 0.5% 1/16W	R1409	1-218-990-81	SHORT CHIP	0
R1300	1-218-947-11	RES-CHIP	330 5% 1/16W	R1410	1-218-990-81	SHORT CHIP	0
R1301	1-218-945-11	RES-CHIP	220 5% 1/16W	R1411	1-218-990-81	SHORT CHIP	0
R1302	1-218-985-11	RES-CHIP	470K 5% 1/16W	R1412	1-218-990-81	SHORT CHIP	0
R1303	1-218-953-11	RES-CHIP	1K 5% 1/16W	R1413	1-218-990-81	SHORT CHIP	0
R1304	1-218-990-81	SHORT CHIP	0	R1700	1-218-981-11	RES-CHIP	220K 5% 1/16W
R1305	1-218-985-11	RES-CHIP	470K 5% 1/16W	R1701	1-218-981-11	RES-CHIP	220K 5% 1/16W
R1306	1-218-947-11	RES-CHIP	330 5% 1/16W	R1702	1-218-947-11	RES-CHIP	330 5% 1/16W
R1307	1-218-945-11	RES-CHIP	220 5% 1/16W	R1703	1-218-947-11	RES-CHIP	330 5% 1/16W
R1308	1-218-985-11	RES-CHIP	470K 5% 1/16W	R1710	1-218-989-11	RES-CHIP	1M 5% 1/16W
R1309	1-218-953-11	RES-CHIP	1K 5% 1/16W	R1711	1-218-989-11	RES-CHIP	1M 5% 1/16W
R1310	1-218-990-81	SHORT CHIP	0	R1712	1-218-957-11	RES-CHIP	2.2K 5% 1/16W
R1311	1-218-985-11	RES-CHIP	470K 5% 1/16W	R1713	1-218-957-11	RES-CHIP	2.2K 5% 1/16W
R1312	1-218-831-11	METAL CHIP	220 0.5% 1/10W	R1720	1-218-989-11	RES-CHIP	1M 5% 1/16W
R1313	1-218-831-11	METAL CHIP	220 0.5% 1/10W	R1721	1-218-989-11	RES-CHIP	1M 5% 1/16W
R1314	1-218-831-11	METAL CHIP	220 0.5% 1/10W	R1722	1-218-957-11	RES-CHIP	2.2K 5% 1/16W
R1315	1-218-941-81	RES-CHIP	100 5% 1/16W	R1723	1-218-957-11	RES-CHIP	2.2K 5% 1/16W
R1316	1-208-923-11	METAL CHIP	33K 0.5% 1/16W	R1900	1-218-961-11	RES-CHIP	4.7K 5% 1/16W
R1317	1-208-715-11	METAL CHIP	22K 0.5% 1/16W	R1901	1-218-989-11	RES-CHIP	1M 5% 1/16W
R1318	1-218-941-81	RES-CHIP	100 5% 1/16W	R1902	1-218-957-11	RES-CHIP	2.2K 5% 1/16W
R1319	1-218-831-11	METAL CHIP	220 0.5% 1/10W	R1903	1-218-958-11	RES-CHIP	2.7K 5% 1/16W
R1320	1-218-831-11	METAL CHIP	220 0.5% 1/10W	R1904	1-208-697-11	METAL CHIP	3.9K 0.5% 1/16W

REF.NO.	PART.NO	DESCRIPTION	REMARK	REF.NO.	PART.NO	DESCRIPTION	REMARK
R1905	1-218-989-11	RES-CHIP	1M 5% 1/16W	R2105	1-218-971-11	RES-CHIP	33K 5% 1/16W
R1906	1-218-959-11	RES-CHIP	3.3K 5% 1/16W	R2106	1-218-971-11	RES-CHIP	33K 5% 1/16W
R2006	1-216-821-11	METAL CHIP	1K 5% 1/10W	R2107	1-218-971-11	RES-CHIP	33K 5% 1/16W
R2009	1-216-805-11	METAL CHIP	47 5% 1/10W	R2108	1-218-971-11	RES-CHIP	33K 5% 1/16W
R2010	1-218-990-81	SHORT CHIP	0	R2109	1-218-971-11	RES-CHIP	33K 5% 1/16W
R2013	1-216-821-11	METAL CHIP	1K 5% 1/10W	R2110	1-218-961-11	RES-CHIP	4.7K 5% 1/16W
R2018	1-218-977-11	RES-CHIP	100K 5% 1/16W	R2111	1-218-961-11	RES-CHIP	4.7K 5% 1/16W
R2020	1-218-965-11	RES-CHIP	10K 5% 1/16W	R2112	1-208-715-11	METAL CHIP	22K 0.5% 1/16W
R2023	1-218-990-81	SHORT CHIP	0	R2113	1-208-715-11	METAL CHIP	22K 0.5% 1/16W
R2033	1-218-941-81	RES-CHIP	100 5% 1/16W	R2115	1-208-927-11	METAL CHIP	47K 0.5% 1/16W
R2035	1-218-937-11	RES-CHIP	47 5% 1/16W	R2117	1-218-961-11	RES-CHIP	4.7K 5% 1/16W
R2042	1-218-937-11	RES-CHIP	47 5% 1/16W	R2118	1-218-961-11	RES-CHIP	4.7K 5% 1/16W
R2044	1-218-937-11	RES-CHIP	47 5% 1/16W	R2119	1-208-927-11	METAL CHIP	47K 0.5% 1/16W
R2046	1-218-937-11	RES-CHIP	47 5% 1/16W	R2120	1-208-927-11	METAL CHIP	47K 0.5% 1/16W
R2047	1-218-937-11	RES-CHIP	47 5% 1/16W	R2121	1-208-715-11	METAL CHIP	22K 0.5% 1/16W
R2049	1-218-990-81	SHORT CHIP	0	R2122	1-208-715-11	METAL CHIP	22K 0.5% 1/16W
R2050	1-218-989-11	RES-CHIP	1M 5% 1/16W	R2124	1-208-911-11	METAL CHIP	10K 0.5% 1/16W
R2056	1-218-963-11	RES-CHIP	6.8K 5% 1/16W	R2125	1-220-199-81	RES-CHIP	24K 5% 1/16W
R2057	1-218-963-11	RES-CHIP	6.8K 5% 1/16W	R2126	1-208-927-11	METAL CHIP	47K 0.5% 1/16W
R2058	1-218-977-11	RES-CHIP	100K 5% 1/16W	R2127	1-208-911-11	METAL CHIP	10K 0.5% 1/16W
R2059	1-218-949-11	RES-CHIP	470 5% 1/16W	R2128	1-220-199-81	RES-CHIP	24K 5% 1/16W
R2060	1-208-691-11	METAL CHIP	2.2K 0.5% 1/16W	R2129	1-208-715-11	METAL CHIP	22K 0.5% 1/16W
R2061	1-208-703-11	METAL CHIP	6.8K 0.5% 1/16W	R2130	1-208-715-11	METAL CHIP	22K 0.5% 1/16W
R2063	1-218-990-81	SHORT CHIP	0	R2131	1-208-715-11	METAL CHIP	22K 0.5% 1/16W
R2064	1-218-965-11	RES-CHIP	10K 5% 1/16W	R2133	1-208-715-11	METAL CHIP	22K 0.5% 1/16W
R2070	1-218-990-81	SHORT CHIP	0	R2134	1-218-985-11	RES-CHIP	470K 5% 1/16W
R2073	1-218-941-81	RES-CHIP	100 5% 1/16W	R2135	1-218-985-11	RES-CHIP	470K 5% 1/16W
R2074	1-218-953-11	RES-CHIP	1K 5% 1/16W	R2136	1-218-947-11	RES-CHIP	330 5% 1/16W
R2075	1-218-937-11	RES-CHIP	47 5% 1/16W	R2137	1-218-947-11	RES-CHIP	330 5% 1/16W
R2076	1-218-937-11	RES-CHIP	47 5% 1/16W	R2138	1-218-985-11	RES-CHIP	470K 5% 1/16W
R2077	1-218-937-11	RES-CHIP	47 5% 1/16W	R2139	1-218-985-11	RES-CHIP	470K 5% 1/16W
R2078	1-218-937-11	RES-CHIP	47 5% 1/16W	R2141	1-218-947-11	RES-CHIP	330 5% 1/16W
R2080	1-218-937-11	RES-CHIP	47 5% 1/16W	R2142	1-218-947-11	RES-CHIP	330 5% 1/16W
R2082	1-218-937-11	RES-CHIP	47 5% 1/16W	R2143	1-208-711-11	METAL CHIP	15K 0.5% 1/16W
R2085	1-218-971-11	RES-CHIP	33K 5% 1/16W	R2145	1-208-711-11	METAL CHIP	15K 0.5% 1/16W
R2087	1-218-971-11	RES-CHIP	33K 5% 1/16W	R2147	1-218-953-11	RES-CHIP	1K 5% 1/16W
R2091	1-218-971-11	RES-CHIP	33K 5% 1/16W	R2148	1-218-973-11	RES-CHIP	47K 5% 1/16W
R2092	1-218-971-11	RES-CHIP	33K 5% 1/16W	R2149	1-218-969-11	RES-CHIP	22K 5% 1/16W
R2093	1-218-941-81	RES-CHIP	100 5% 1/16W	R2150	1-218-969-11	RES-CHIP	22K 5% 1/16W
R2094	1-218-941-81	RES-CHIP	100 5% 1/16W	R2151	1-218-973-11	RES-CHIP	47K 5% 1/16W
R2095	1-220-199-81	RES-CHIP	24K 5% 1/16W	R2152	1-218-977-11	RES-CHIP	100K 5% 1/16W
R2096	1-218-937-11	RES-CHIP	47 5% 1/16W	R2153	1-218-977-11	RES-CHIP	100K 5% 1/16W
R2097	1-218-937-11	RES-CHIP	47 5% 1/16W	R2154	1-218-990-81	SHORT CHIP	0
R2098	1-218-937-11	RES-CHIP	47 5% 1/16W	R2155	1-218-990-81	SHORT CHIP	0
R2099	1-218-937-11	RES-CHIP	47 5% 1/16W	R2156	1-218-990-81	SHORT CHIP	0
R2100	1-218-965-11	RES-CHIP	10K 5% 1/16W	R2157	1-218-965-11	RES-CHIP	10K 5% 1/16W
R2101	1-218-965-11	RES-CHIP	10K 5% 1/16W	R2162	1-218-977-11	RES-CHIP	100K 5% 1/16W
R2102	1-218-971-11	RES-CHIP	33K 5% 1/16W	R2163	1-218-973-11	RES-CHIP	47K 5% 1/16W
R2103	1-218-971-11	RES-CHIP	33K 5% 1/16W	R2166	1-218-965-11	RES-CHIP	10K 5% 1/16W
R2104	1-218-971-11	RES-CHIP	33K 5% 1/16W	R2167	1-218-965-11	RES-CHIP	10K 5% 1/16W

REF.NO.	PART.NO	DESCRIPTION	REMARK	REF.NO.	PART.NO	DESCRIPTION	REMARK
R2168	1-218-961-11	RES-CHIP	4.7K 5% 1/16W	R2269	1-218-965-11	RES-CHIP	10K 5% 1/16W
R2169	1-218-973-11	RES-CHIP	47K 5% 1/16W	R2270	1-218-941-81	RES-CHIP	100 5% 1/16W
R2170	1-218-961-11	RES-CHIP	4.7K 5% 1/16W	R2271	1-218-965-11	RES-CHIP	10K 5% 1/16W
R2171	1-218-961-11	RES-CHIP	4.7K 5% 1/16W	R2272	1-208-695-11	METAL CHIP	3.3K 0.5% 1/16W
R2176	1-218-973-11	RES-CHIP	47K 5% 1/16W	R2273	1-208-695-11	METAL CHIP	3.3K 0.5% 1/16W
R2177	1-218-977-11	RES-CHIP	100K 5% 1/16W	R2274	1-218-990-81	SHORT CHIP	0
R2178	1-218-977-11	RES-CHIP	100K 5% 1/16W	R2275	1-218-990-81	SHORT CHIP	0
R2179	1-208-935-11	METAL CHIP	100K 0.5% 1/16W	R2277	1-218-977-11	RES-CHIP	100K 5% 1/16W
R2180	1-218-961-11	RES-CHIP	4.7K 5% 1/16W	R2279	1-218-977-11	RES-CHIP	100K 5% 1/16W
R2181	1-208-935-11	METAL CHIP	100K 0.5% 1/16W	R2280	1-218-977-11	RES-CHIP	100K 5% 1/16W
R2184	1-218-965-11	RES-CHIP	10K 5% 1/16W	R2281	1-218-977-11	RES-CHIP	100K 5% 1/16W
R2185	1-218-965-11	RES-CHIP	10K 5% 1/16W	R3001	1-216-864-11	SHORT CHIP	0
R2186	1-218-839-11	METAL CHIP	470 0.5% 1/10W	R3005	1-208-683-11	METAL CHIP	1K 0.5% 1/16W
R2187	1-218-839-11	METAL CHIP	470 0.5% 1/10W	R3010	1-218-990-81	SHORT CHIP	0
R2188	1-218-839-11	METAL CHIP	470 0.5% 1/10W	R3020	1-216-813-11	METAL CHIP	220 5% 1/10W
R2189	1-218-839-11	METAL CHIP	470 0.5% 1/10W	R3031	1-208-931-11	METAL CHIP	68K 0.5% 1/16W
R2198	1-218-963-11	RES-CHIP	6.8K 5% 1/16W	R3034	1-208-703-11	METAL CHIP	6.8K 0.5% 1/16W
R2199	1-218-977-11	RES-CHIP	100K 5% 1/16W	R3036	1-218-965-11	RES-CHIP	10K 5% 1/16W
R2200	1-218-977-11	RES-CHIP	100K 5% 1/16W	R3037	1-208-711-11	METAL CHIP	15K 0.5% 1/16W
R2202	1-218-965-11	RES-CHIP	10K 5% 1/16W	R3038	1-218-965-11	RES-CHIP	10K 5% 1/16W
R2204	1-218-977-11	RES-CHIP	100K 5% 1/16W	R3040	1-218-965-11	RES-CHIP	10K 5% 1/16W
R2205	1-208-923-11	METAL CHIP	33K 0.5% 1/16W	R3041	1-218-965-11	RES-CHIP	10K 5% 1/16W
R2207	1-218-937-11	RES-CHIP	47 5% 1/16W	R3042	1-218-965-11	RES-CHIP	10K 5% 1/16W
R2208	1-218-971-11	RES-CHIP	33K 5% 1/16W	R3043	1-218-973-11	RES-CHIP	47K 5% 1/16W
R2209	1-218-971-11	RES-CHIP	33K 5% 1/16W	R3044	1-218-965-11	RES-CHIP	10K 5% 1/16W
R2210	1-208-703-11	METAL CHIP	6.8K 0.5% 1/16W	R3045	1-218-965-11	RES-CHIP	10K 5% 1/16W
R2211	1-208-703-11	METAL CHIP	6.8K 0.5% 1/16W	R3049	1-218-965-11	RES-CHIP	10K 5% 1/16W
R2212	1-218-970-11	RES-CHIP	27K 5% 1/16W	R3050	1-218-965-11	RES-CHIP	10K 5% 1/16W
R2213	1-218-970-11	RES-CHIP	27K 5% 1/16W	R3051	1-218-965-11	RES-CHIP	10K 5% 1/16W
R2227	1-208-691-11	METAL CHIP	2.2K 0.5% 1/16W	R3053	1-218-990-81	SHORT CHIP	0
R2228	1-208-703-11	METAL CHIP	6.8K 0.5% 1/16W	R3058	1-218-990-81	SHORT CHIP	0
R2229	1-208-683-11	METAL CHIP	1K 0.5% 1/16W	R3061	1-218-965-11	RES-CHIP	10K 5% 1/16W
R2230	1-218-990-81	SHORT CHIP	0	R3066	1-218-965-11	RES-CHIP	10K 5% 1/16W
R2232	1-218-990-81	SHORT CHIP	0	R3069	1-218-941-81	RES-CHIP	100 5% 1/16W
R2234	1-208-935-11	METAL CHIP	100K 0.5% 1/16W	R3094	1-218-990-81	SHORT CHIP	0
R2235	1-208-923-11	METAL CHIP	33K 0.5% 1/16W	R3101	1-218-959-11	RES-CHIP	3.3K 5% 1/16W
R2236	1-208-695-11	METAL CHIP	3.3K 0.5% 1/16W	R3102	1-218-941-81	RES-CHIP	100 5% 1/16W
R2237	1-208-695-11	METAL CHIP	3.3K 0.5% 1/16W	R3103	1-218-941-81	RES-CHIP	100 5% 1/16W
R2238	1-208-683-11	METAL CHIP	1K 0.5% 1/16W	R3111	1-218-933-11	RES-CHIP	22 5% 1/16W
R2239	1-208-683-11	METAL CHIP	1K 0.5% 1/16W	R3113	1-218-933-11	RES-CHIP	22 5% 1/16W
R2241	1-208-715-11	METAL CHIP	22K 0.5% 1/16W	R3144	1-208-691-11	METAL CHIP	2.2K 0.5% 1/16W
R2242	1-208-715-11	METAL CHIP	22K 0.5% 1/16W	R3158	1-218-941-81	RES-CHIP	100 5% 1/16W
R2245	1-218-941-81	RES-CHIP	100 5% 1/16W	R3162	1-218-973-11	RES-CHIP	47K 5% 1/16W
R2246	1-218-959-11	RES-CHIP	3.3K 5% 1/16W	R3165	1-218-965-11	RES-CHIP	10K 5% 1/16W
R2247	1-218-959-11	RES-CHIP	3.3K 5% 1/16W	R3167	1-218-965-11	RES-CHIP	10K 5% 1/16W
R2248	1-218-959-11	RES-CHIP	3.3K 5% 1/16W	R3168	1-218-965-11	RES-CHIP	10K 5% 1/16W
R2249	1-218-953-11	RES-CHIP	1K 5% 1/16W	R3169	1-216-864-11	SHORT CHIP	0
R2259	1-208-695-11	METAL CHIP	3.3K 0.5% 1/16W	R3170	1-400-794-21	FERRITE	0UH
R2262	1-208-695-11	METAL CHIP	3.3K 0.5% 1/16W	R3180	1-218-965-11	RES-CHIP	10K 5% 1/16W
R2268	1-218-941-81	RES-CHIP	100 5% 1/16W	R3181	1-218-965-11	RES-CHIP	10K 5% 1/16W

REF.NO.	PART.NO	DESCRIPTION	REMARK	REF.NO.	PART.NO	DESCRIPTION	REMARK
R3186	1-218-990-81	SHORT CHIP	0	R4018	1-218-990-81	SHORT CHIP	0
R3188	1-218-990-81	SHORT CHIP	0	R4019	1-218-990-81	SHORT CHIP	0
R3190	1-208-886-81	METAL CHIP	910 0.5% 1/16W	R4020	1-218-990-81	SHORT CHIP	0
R3193	1-218-965-11	RES-CHIP	10K 5% 1/16W	R4021	1-208-711-11	METAL CHIP	15K 0.5% 1/16W
R3195	1-218-990-81	SHORT CHIP	0	R4023	1-218-965-11	RES-CHIP	10K 5% 1/16W
R3196	1-218-965-11	RES-CHIP	10K 5% 1/16W	R4026	1-218-990-81	SHORT CHIP	0
R3198	1-218-990-81	SHORT CHIP	0	R4028	1-208-703-11	METAL CHIP	6.8K 0.5% 1/16W
R3207	1-218-949-11	RES-CHIP	470 5% 1/16W	R4031	1-208-703-11	METAL CHIP	6.8K 0.5% 1/16W
R3208	1-218-990-81	SHORT CHIP	0	R4032	1-218-978-11	RES-CHIP	120K 5% 1/16W
R3209	1-218-990-81	SHORT CHIP	0	R4033	1-208-721-11	METAL CHIP	39K 0.5% 1/16W
R3210	1-218-949-11	RES-CHIP	470 5% 1/16W	R4034	1-216-295-91	SHORT CHIP	0
R3212	1-218-949-11	RES-CHIP	470 5% 1/16W	R4035	1-216-864-11	SHORT CHIP	0
R3218	1-218-961-11	RES-CHIP	4.7K 5% 1/16W	R4036	1-216-864-11	SHORT CHIP	0
R3223	1-218-945-11	RES-CHIP	220 5% 1/16W	R4037	1-216-864-11	SHORT CHIP	0
R3224	1-218-990-81	SHORT CHIP	0	R4040	1-208-711-11	METAL CHIP	15K 0.5% 1/16W
R3226	1-218-945-11	RES-CHIP	220 5% 1/16W	R4042	1-218-977-11	RES-CHIP	100K 5% 1/16W
R3243	1-218-941-81	RES-CHIP	100 5% 1/16W	R4043	1-218-971-11	RES-CHIP	33K 5% 1/16W
R3246	1-218-965-11	RES-CHIP	10K 5% 1/16W	R4047	1-218-957-11	RES-CHIP	2.2K 5% 1/16W
R3247	1-218-990-81	SHORT CHIP	0	R4048	1-218-839-11	METAL CHIP	470 0.5% 1/10W
R3255	1-400-591-22	FERRITE	0UH	R4058	1-218-965-11	RES-CHIP	10K 5% 1/16W
R3256	1-400-591-22	FERRITE	0UH	R4060	1-218-965-11	RES-CHIP	10K 5% 1/16W
R3257	1-216-864-11	SHORT CHIP	0	R4061	1-208-911-11	METAL CHIP	10K 0.5% 1/16W
R3258	1-400-591-22	FERRITE	0UH	R4062	1-208-911-11	METAL CHIP	10K 0.5% 1/16W
R3259	1-400-591-22	FERRITE	0UH	R4063	1-208-911-11	METAL CHIP	10K 0.5% 1/16W
R3260	1-400-591-22	FERRITE	0UH	R4065	1-218-953-11	RES-CHIP	1K 5% 1/16W
R3261	1-400-591-22	FERRITE	0UH	R4066	1-218-945-11	RES-CHIP	220 5% 1/16W
R3262	1-400-591-22	FERRITE	0UH	R4083	1-208-911-11	METAL CHIP	10K 0.5% 1/16W
R3263	1-400-591-22	FERRITE	0UH	R4084	1-208-711-11	METAL CHIP	15K 0.5% 1/16W
R3264	1-400-591-22	FERRITE	0UH	R4085	1-208-711-11	METAL CHIP	15K 0.5% 1/16W
R3265	1-400-591-22	FERRITE	0UH	R4086	1-218-965-11	RES-CHIP	10K 5% 1/16W
R3266	1-216-864-11	SHORT CHIP	0	R4087	1-218-965-11	RES-CHIP	10K 5% 1/16W
R3267	1-216-864-11	SHORT CHIP	0	R4501	1-218-933-11	RES-CHIP	22 5% 1/16W
R3270	1-218-941-81	RES-CHIP	100 5% 1/16W	R4502	1-218-933-11	RES-CHIP	22 5% 1/16W
R3271	1-218-977-11	RES-CHIP	100K 5% 1/16W	R4505	1-218-933-11	RES-CHIP	22 5% 1/16W
R3274	1-218-977-11	RES-CHIP	100K 5% 1/16W	R4506	1-218-933-11	RES-CHIP	22 5% 1/16W
R3290	1-218-990-81	SHORT CHIP	0	R4507	1-218-933-11	RES-CHIP	22 5% 1/16W
R3295	1-208-703-11	METAL CHIP	6.8K 0.5% 1/16W	R4508	1-218-933-11	RES-CHIP	22 5% 1/16W
R3515	1-218-990-81	SHORT CHIP	0	R4509	1-218-989-11	RES-CHIP	1M 5% 1/16W
R3516	1-218-941-81	RES-CHIP	100 5% 1/16W	R4510	1-218-990-81	SHORT CHIP	0
R4005	1-208-711-11	METAL CHIP	15K 0.5% 1/16W	R4512	1-218-990-81	SHORT CHIP	0
R4006	1-218-965-11	RES-CHIP	10K 5% 1/16W	R4517	1-218-941-81	RES-CHIP	100 5% 1/16W
R4007	1-218-977-11	RES-CHIP	100K 5% 1/16W	R4525	1-218-937-11	RES-CHIP	47 5% 1/16W
R4008	1-218-965-11	RES-CHIP	10K 5% 1/16W	R4531	1-218-941-81	RES-CHIP	100 5% 1/16W
R4010	1-208-927-11	METAL CHIP	47K 0.5% 1/16W	R4533	1-218-941-81	RES-CHIP	100 5% 1/16W
R4011	1-208-927-11	METAL CHIP	47K 0.5% 1/16W	R4535	1-218-941-81	RES-CHIP	100 5% 1/16W
R4012	1-208-931-11	METAL CHIP	68K 0.5% 1/16W	R4536	1-218-933-11	RES-CHIP	22 5% 1/16W
R4013	1-218-977-11	RES-CHIP	100K 5% 1/16W	R4538	1-218-941-81	RES-CHIP	100 5% 1/16W
R4014	1-208-703-11	METAL CHIP	6.8K 0.5% 1/16W	R4542	1-218-965-11	RES-CHIP	10K 5% 1/16W
R4016	1-218-990-81	SHORT CHIP	0	R4545	1-218-961-11	RES-CHIP	4.7K 5% 1/16W
R4017	1-218-990-81	SHORT CHIP	0	R4550	1-218-941-81	RES-CHIP	100 5% 1/16W

REF.NO.	PART.NO	DESCRIPTION	REMARK			REF.NO.	PART.NO	DESCRIPTION	REMARK		
R4553	1-218-961-11	RES-CHIP	4.7K	5%	1/16W	R5505	1-218-929-11	RES-CHIP	10	5%	1/16W
R4554	1-218-961-11	RES-CHIP	4.7K	5%	1/16W	R5508	1-208-683-11	METAL CHIP	1K	0.5%	1/16W
R4710	1-218-961-11	RES-CHIP	4.7K	5%	1/16W	R5511	1-208-911-11	METAL CHIP	10K	0.5%	1/16W
R4712	1-218-961-11	RES-CHIP	4.7K	5%	1/16W	R5512	1-208-683-11	METAL CHIP	1K	0.5%	1/16W
R4714	1-218-933-11	RES-CHIP	22	5%	1/16W	R5519	1-218-961-11	RES-CHIP	4.7K	5%	1/16W
R4715	1-218-933-11	RES-CHIP	22	5%	1/16W	R5522	1-218-941-81	RES-CHIP	100	5%	1/16W
R4721	1-216-864-11	SHORT CHIP	0			R5523	1-218-977-11	RES-CHIP	100K	5%	1/16W
R4722	1-216-864-11	SHORT CHIP	0			R5524	1-218-977-11	RES-CHIP	100K	5%	1/16W
R4723	1-218-965-11	RES-CHIP	10K	5%	1/16W	R5529	1-218-973-11	RES-CHIP	47K	5%	1/16W
R4801	1-218-941-81	RES-CHIP	100	5%	1/16W	R5530	1-218-941-81	RES-CHIP	100	5%	1/16W
R4802	1-218-949-11	RES-CHIP	470	5%	1/16W	R5531	1-218-977-11	RES-CHIP	100K	5%	1/16W
R4804	1-218-941-81	RES-CHIP	100	5%	1/16W	R5534	1-218-961-11	RES-CHIP	4.7K	5%	1/16W
R4805	1-218-949-11	RES-CHIP	470	5%	1/16W	R5538	1-218-973-11	RES-CHIP	47K	5%	1/16W
R4808	1-218-941-81	RES-CHIP	100	5%	1/16W	R5543	1-218-941-81	RES-CHIP	100	5%	1/16W
R4812	1-218-941-81	RES-CHIP	100	5%	1/16W	R5547	1-218-929-11	RES-CHIP	10	5%	1/16W
R4900	1-400-794-21	FERRITE	0UH			R5548	1-218-929-11	RES-CHIP	10	5%	1/16W
R4903	1-208-683-11	METAL CHIP	1K	0.5%	1/16W	R5549	1-218-929-11	RES-CHIP	10	5%	1/16W
R4904	1-208-683-11	METAL CHIP	1K	0.5%	1/16W	R5550	1-218-929-11	RES-CHIP	10	5%	1/16W
R4905	1-218-990-81	SHORT CHIP	0			R5551	1-218-929-11	RES-CHIP	10	5%	1/16W
R4906	1-208-652-11	METAL CHIP	51	0.5%	1/16W	R5552	1-218-929-11	RES-CHIP	10	5%	1/16W
R4907	1-218-990-81	SHORT CHIP	0			R5553	1-218-929-11	RES-CHIP	10	5%	1/16W
R4908	1-218-929-11	RES-CHIP	10	5%	1/16W	R5556	1-218-929-11	RES-CHIP	10	5%	1/16W
R4909	1-208-652-11	METAL CHIP	51	0.5%	1/16W	R5558	1-218-965-11	RES-CHIP	10K	5%	1/16W
R4910	1-218-933-11	RES-CHIP	22	5%	1/16W	R5559	1-218-929-11	RES-CHIP	10	5%	1/16W
R4911	1-218-933-11	RES-CHIP	22	5%	1/16W	R5560	1-218-929-11	RES-CHIP	10	5%	1/16W
R4912	1-218-933-11	RES-CHIP	22	5%	1/16W	R5561	1-218-929-11	RES-CHIP	10	5%	1/16W
R4913	1-218-933-11	RES-CHIP	22	5%	1/16W	R5562	1-218-929-11	RES-CHIP	10	5%	1/16W
R4914	1-218-929-11	RES-CHIP	10	5%	1/16W	R5563	1-218-929-11	RES-CHIP	10	5%	1/16W
R4915	1-218-929-11	RES-CHIP	10	5%	1/16W	R5564	1-218-929-11	RES-CHIP	10	5%	1/16W
R4916	1-218-933-11	RES-CHIP	22	5%	1/16W	R5565	1-218-929-11	RES-CHIP	10	5%	1/16W
R4917	1-218-933-11	RES-CHIP	22	5%	1/16W	R5566	1-218-929-11	RES-CHIP	10	5%	1/16W
R4918	1-218-933-11	RES-CHIP	22	5%	1/16W	R5573	1-218-937-11	RES-CHIP	47	5%	1/16W
R4919	1-218-933-11	RES-CHIP	22	5%	1/16W	R5591	1-208-695-11	METAL CHIP	3.3K	0.5%	1/16W
R5000	1-216-864-11	SHORT CHIP	0			R5592	1-208-695-11	METAL CHIP	3.3K	0.5%	1/16W
R5012	1-218-827-11	METAL CHIP	150	0.5%	1/10W	R5593	1-208-695-11	METAL CHIP	3.3K	0.5%	1/16W
R5013	1-218-827-11	METAL CHIP	150	0.5%	1/10W	R5594	1-208-923-11	METAL CHIP	33K	0.5%	1/16W
R5014	1-218-827-11	METAL CHIP	150	0.5%	1/10W	R5599	1-218-929-11	RES-CHIP	10	5%	1/16W
R5015	1-218-827-11	METAL CHIP	150	0.5%	1/10W	R5600	1-218-929-11	RES-CHIP	10	5%	1/16W
R5016	1-218-953-11	RES-CHIP	1K	5%	1/16W	R5601	1-218-929-11	RES-CHIP	10	5%	1/16W
R5017	1-218-827-11	METAL CHIP	150	0.5%	1/10W	R5602	1-218-929-11	RES-CHIP	10	5%	1/16W
R5018	1-218-827-11	METAL CHIP	150	0.5%	1/10W	R5603	1-218-929-11	RES-CHIP	10	5%	1/16W
R5019	1-218-977-11	RES-CHIP	100K	5%	1/16W	R5604	1-218-929-11	RES-CHIP	10	5%	1/16W
R5021	1-216-801-11	METAL CHIP	22	5%	1/10W	R5605	1-218-929-11	RES-CHIP	10	5%	1/16W
R5022	1-216-801-11	METAL CHIP	22	5%	1/10W	R5606	1-218-929-11	RES-CHIP	10	5%	1/16W
R5023	1-216-801-11	METAL CHIP	22	5%	1/10W	R5622	1-218-965-11	RES-CHIP	10K	5%	1/16W
R5029	1-218-933-11	RES-CHIP	22	5%	1/16W	R5623	1-218-953-11	RES-CHIP	1K	5%	1/16W
R5030	1-218-933-11	RES-CHIP	22	5%	1/16W	R5624	1-218-969-11	RES-CHIP	22K	5%	1/16W
R5501	1-218-929-11	RES-CHIP	10	5%	1/16W	R5625	1-218-969-11	RES-CHIP	22K	5%	1/16W
R5503	1-208-911-11	METAL CHIP	10K	0.5%	1/16W	R5628	1-218-965-11	RES-CHIP	10K	5%	1/16W
R5504	1-208-683-11	METAL CHIP	1K	0.5%	1/16W	R5629	1-218-970-11	RES-CHIP	27K	5%	1/16W

REF.NO.	PART.NO	DESCRIPTION	REMARK	REF.NO.	PART.NO	DESCRIPTION	REMARK
R5630	1-218-990-81	SHORT CHIP	0	R6754	1-218-941-81	RES-CHIP	100 5% 1/16W
R5631	1-218-945-11	RES-CHIP	220 5% 1/16W	R6755	1-218-990-81	SHORT CHIP	0
R5635	1-218-973-11	RES-CHIP	47K 5% 1/16W	R6756	1-218-990-81	SHORT CHIP	0
R5636	1-218-990-81	SHORT CHIP	0	R6758	1-218-965-11	RES-CHIP	10K 5% 1/16W
R5647	1-218-990-81	SHORT CHIP	0	R6761	1-218-990-81	SHORT CHIP	0
R5649	1-218-990-81	SHORT CHIP	0	R6775	1-400-834-11	FERRITE	0UH
R5650	1-218-990-81	SHORT CHIP	0	R6776	1-218-953-11	RES-CHIP	1K 5% 1/16W
R5651	1-218-953-11	RES-CHIP	1K 5% 1/16W	R6779	1-218-937-11	RES-CHIP	47 5% 1/16W
R5652	1-218-953-11	RES-CHIP	1K 5% 1/16W	R6780	1-218-937-11	RES-CHIP	47 5% 1/16W
R5653	1-218-953-11	RES-CHIP	1K 5% 1/16W	R6781	1-218-937-11	RES-CHIP	47 5% 1/16W
R6700	1-218-969-11	RES-CHIP	22K 5% 1/16W	R6782	1-218-937-11	RES-CHIP	47 5% 1/16W
R6701	1-218-965-11	RES-CHIP	10K 5% 1/16W	R6783	1-218-937-11	RES-CHIP	47 5% 1/16W
R6702	1-218-953-11	RES-CHIP	1K 5% 1/16W	R6784	1-218-937-11	RES-CHIP	47 5% 1/16W
R6703	1-218-957-11	RES-CHIP	2.2K 5% 1/16W	R6785	1-218-937-11	RES-CHIP	47 5% 1/16W
R6704	1-218-953-11	RES-CHIP	1K 5% 1/16W	R6786	1-218-937-11	RES-CHIP	47 5% 1/16W
R6705	1-218-937-11	RES-CHIP	47 5% 1/16W	R6787	1-218-937-11	RES-CHIP	47 5% 1/16W
R6706	1-218-937-11	RES-CHIP	47 5% 1/16W	R6788	1-218-937-11	RES-CHIP	47 5% 1/16W
R6708	1-218-965-11	RES-CHIP	10K 5% 1/16W	R6789	1-218-937-11	RES-CHIP	47 5% 1/16W
R6709	1-218-990-81	SHORT CHIP	0	R6791	1-218-990-81	SHORT CHIP	0
R6710	1-218-990-81	SHORT CHIP	0	R6793	1-218-990-81	SHORT CHIP	0
R6711	1-218-933-11	RES-CHIP	22 5% 1/16W	R6794	1-218-959-11	RES-CHIP	3.3K 5% 1/16W
R6712	1-218-933-11	RES-CHIP	22 5% 1/16W	R6795	1-218-990-81	SHORT CHIP	0
R6713	1-218-965-11	RES-CHIP	10K 5% 1/16W	R6837	1-218-949-11	RES-CHIP	470 5% 1/16W
R6718	1-218-941-81	RES-CHIP	100 5% 1/16W	R6840	1-218-973-11	RES-CHIP	47K 5% 1/16W
R6719	1-218-949-11	RES-CHIP	470 5% 1/16W	R7101	1-218-937-11	RES-CHIP	47 5% 1/16W
R6720	1-218-949-11	RES-CHIP	470 5% 1/16W	R7102	1-218-937-11	RES-CHIP	47 5% 1/16W
R6721	1-218-969-11	RES-CHIP	22K 5% 1/16W	R7103	1-218-965-11	RES-CHIP	10K 5% 1/16W
R6722	1-218-933-11	RES-CHIP	22 5% 1/16W	R7104	1-218-965-11	RES-CHIP	10K 5% 1/16W
R6723	1-218-953-11	RES-CHIP	1K 5% 1/16W	R7107	1-218-941-81	RES-CHIP	100 5% 1/16W
R6724	1-218-953-11	RES-CHIP	1K 5% 1/16W	R7109	1-218-937-11	RES-CHIP	47 5% 1/16W
R6726	1-218-990-81	SHORT CHIP	0	R7110	1-218-941-81	RES-CHIP	100 5% 1/16W
R6727	1-218-990-81	SHORT CHIP	0	R7111	1-218-937-11	RES-CHIP	47 5% 1/16W
R6728	1-218-961-11	RES-CHIP	4.7K 5% 1/16W	R7112	1-218-937-11	RES-CHIP	47 5% 1/16W
R6729	1-218-961-11	RES-CHIP	4.7K 5% 1/16W	R7113	1-218-937-11	RES-CHIP	47 5% 1/16W
R6730	1-218-929-11	RES-CHIP	10 5% 1/16W	R7114	1-218-937-11	RES-CHIP	47 5% 1/16W
R6731	1-218-929-11	RES-CHIP	10 5% 1/16W	R7115	1-218-937-11	RES-CHIP	47 5% 1/16W
R6732	1-218-990-81	SHORT CHIP	0	R7116	1-218-937-11	RES-CHIP	47 5% 1/16W
R6733	1-218-990-81	SHORT CHIP	0	R7117	1-218-937-11	RES-CHIP	47 5% 1/16W
R6734	1-218-990-81	SHORT CHIP	0	R7118	1-218-937-11	RES-CHIP	47 5% 1/16W
R6735	1-218-990-81	SHORT CHIP	0	R7119	1-218-937-11	RES-CHIP	47 5% 1/16W
R6737	1-218-941-81	RES-CHIP	100 5% 1/16W	R7120	1-218-937-11	RES-CHIP	47 5% 1/16W
R6738	1-218-941-81	RES-CHIP	100 5% 1/16W	R7121	1-218-961-11	RES-CHIP	4.7K 5% 1/16W
R6741	1-218-990-81	SHORT CHIP	0	R7122	1-218-961-11	RES-CHIP	4.7K 5% 1/16W
R6742	1-218-990-81	SHORT CHIP	0	R7125	1-218-937-11	RES-CHIP	47 5% 1/16W
R6743	1-218-941-81	RES-CHIP	100 5% 1/16W	R7126	1-218-937-11	RES-CHIP	47 5% 1/16W
R6744	1-218-941-81	RES-CHIP	100 5% 1/16W	R7128	1-218-937-11	RES-CHIP	47 5% 1/16W
R6747	1-216-295-91	SHORT CHIP	0	R7129	1-218-937-11	RES-CHIP	47 5% 1/16W
R6751	1-218-933-11	RES-CHIP	22 5% 1/16W	R7130	1-218-937-11	RES-CHIP	47 5% 1/16W
R6752	1-218-933-11	RES-CHIP	22 5% 1/16W	R7131	1-218-937-11	RES-CHIP	47 5% 1/16W
R6753	1-218-990-81	SHORT CHIP	0	R7132	1-218-937-11	RES-CHIP	47 5% 1/16W

REF.NO.	PART.NO	DESCRIPTION	REMARK			REF.NO.	PART.NO	DESCRIPTION	REMARK		
R7133	1-218-937-11	RES-CHIP	47	5%	1/16W	R7313	1-218-937-11	RES-CHIP	47	5%	1/16W
R7143	1-218-965-11	RES-CHIP	10K	5%	1/16W	R7314	1-218-937-11	RES-CHIP	47	5%	1/16W
R7148	1-218-937-11	RES-CHIP	47	5%	1/16W	R7315	1-218-937-11	RES-CHIP	47	5%	1/16W
R7151	1-218-941-81	RES-CHIP	100	5%	1/16W	R7316	1-218-937-11	RES-CHIP	47	5%	1/16W
R7153	1-220-174-11	RES-CHIP	200	5%	1/16W	R7317	1-218-941-81	RES-CHIP	100	5%	1/16W
R7154	1-220-174-11	RES-CHIP	200	5%	1/16W	R7318	1-218-941-81	RES-CHIP	100	5%	1/16W
R7155	1-220-174-11	RES-CHIP	200	5%	1/16W	R7319	1-218-941-81	RES-CHIP	100	5%	1/16W
R7156	1-220-174-11	RES-CHIP	200	5%	1/16W	R7320	1-218-965-11	RES-CHIP	10K	5%	1/16W
R7157	1-220-174-11	RES-CHIP	200	5%	1/16W	R7321	1-218-965-11	RES-CHIP	10K	5%	1/16W
R7158	1-220-174-11	RES-CHIP	200	5%	1/16W	R7322	1-218-965-11	RES-CHIP	10K	5%	1/16W
R7159	1-208-671-11	METAL CHIP	330	0.5%	1/16W	R7323	1-218-965-11	RES-CHIP	10K	5%	1/16W
R7160	1-208-883-81	METAL CHIP	680	0.5%	1/16W	R7324	1-218-965-11	RES-CHIP	10K	5%	1/16W
R7162	1-218-990-81	SHORT CHIP	0			R7325	1-218-937-11	RES-CHIP	47	5%	1/16W
R7163	1-208-675-11	METAL CHIP	470	0.5%	1/16W	R7326	1-218-965-11	RES-CHIP	10K	5%	1/16W
R7200	1-218-949-11	RES-CHIP	470	5%	1/16W	R7327	1-218-965-11	RES-CHIP	10K	5%	1/16W
R7202	1-218-953-11	RES-CHIP	1K	5%	1/16W	R7328	1-218-965-11	RES-CHIP	10K	5%	1/16W
R7203	1-218-965-11	RES-CHIP	10K	5%	1/16W	R7329	1-218-953-11	RES-CHIP	1K	5%	1/16W
R7204	1-218-953-11	RES-CHIP	1K	5%	1/16W	R7330	1-218-953-11	RES-CHIP	1K	5%	1/16W
R7207	1-218-961-11	RES-CHIP	4.7K	5%	1/16W	R7331	1-218-937-11	RES-CHIP	47	5%	1/16W
R7208	1-218-949-11	RES-CHIP	470	5%	1/16W	R7333	1-218-965-11	RES-CHIP	10K	5%	1/16W
R7209	1-218-949-11	RES-CHIP	470	5%	1/16W	R7335	1-218-937-11	RES-CHIP	47	5%	1/16W
R7210	1-218-965-11	RES-CHIP	10K	5%	1/16W	R7400	1-218-965-11	RES-CHIP	10K	5%	1/16W
R7214	1-218-965-11	RES-CHIP	10K	5%	1/16W	R7403	1-218-965-11	RES-CHIP	10K	5%	1/16W
R7218	1-218-939-11	RES-CHIP	68	5%	1/16W	R7404	1-218-977-11	RES-CHIP	100K	5%	1/16W
R7220	1-218-965-11	RES-CHIP	10K	5%	1/16W	R7405	1-218-977-11	RES-CHIP	100K	5%	1/16W
R7222	1-218-965-11	RES-CHIP	10K	5%	1/16W	R7406	1-218-949-11	RES-CHIP	470	5%	1/16W
R7223	1-218-941-11	RES-CHIP	100	5%	1/16W	R7407	1-218-949-11	RES-CHIP	470	5%	1/16W
R7224	1-218-941-11	RES-CHIP	100	5%	1/16W	R7409	1-218-961-11	RES-CHIP	4.7K	5%	1/16W
R7225	1-218-965-11	RES-CHIP	10K	5%	1/16W	R7410	1-218-965-11	RES-CHIP	10K	5%	1/16W
R7227	1-218-965-11	RES-CHIP	10K	5%	1/16W	R7414	1-218-990-81	SHORT CHIP	0		
R7228	1-218-953-11	RES-CHIP	1K	5%	1/16W	R7420	1-218-941-81	RES-CHIP	100	5%	1/16W
R7229	1-218-939-11	RES-CHIP	68	5%	1/16W	R7421	1-218-953-11	RES-CHIP	1K	5%	1/16W
R7230	1-218-941-81	RES-CHIP	100	5%	1/16W	R7422	1-218-961-11	RES-CHIP	4.7K	5%	1/16W
R7231	1-218-941-81	RES-CHIP	100	5%	1/16W	R7423	1-218-965-11	RES-CHIP	10K	5%	1/16W
R7232	1-218-941-81	RES-CHIP	100	5%	1/16W	R7425	1-218-941-81	RES-CHIP	100	5%	1/16W
R7233	1-218-941-81	RES-CHIP	100	5%	1/16W	R7440	1-218-941-81	RES-CHIP	100	5%	1/16W
R7234	1-218-937-11	RES-CHIP	47	5%	1/16W	R7441	1-218-953-11	RES-CHIP	1K	5%	1/16W
R7235	1-218-945-11	RES-CHIP	220	5%	1/16W	R7442	1-218-938-11	RES-CHIP	56	5%	1/16W
R7236	1-218-953-11	RES-CHIP	1K	5%	1/16W	R7443	1-218-941-81	RES-CHIP	100	5%	1/16W
R7300	1-218-965-11	RES-CHIP	10K	5%	1/16W	R7445	1-218-949-11	RES-CHIP	470	5%	1/16W
R7302	1-218-937-11	RES-CHIP	47	5%	1/16W	R7446	1-218-950-11	RES-CHIP	560	5%	1/16W
R7303	1-218-965-11	RES-CHIP	10K	5%	1/16W	R7447	1-218-964-11	RES-CHIP	8.2K	5%	1/16W
R7304	1-218-965-11	RES-CHIP	10K	5%	1/16W	R7448	1-218-949-11	RES-CHIP	470	5%	1/16W
R7305	1-218-965-11	RES-CHIP	10K	5%	1/16W	R7451	1-218-941-81	RES-CHIP	100	5%	1/16W
R7306	1-218-941-81	RES-CHIP	100	5%	1/16W	R7452	1-218-990-81	SHORT CHIP	0		
R7307	1-218-945-11	RES-CHIP	220	5%	1/16W	R7453	1-218-965-11	RES-CHIP	10K	5%	1/16W
R7309	1-218-941-81	RES-CHIP	100	5%	1/16W	R7456	1-218-990-81	SHORT CHIP	0		
R7310	1-218-937-11	RES-CHIP	47	5%	1/16W	R7457	1-218-990-81	SHORT CHIP	0		
R7311	1-218-937-11	RES-CHIP	47	5%	1/16W	R7458	1-218-990-81	SHORT CHIP	0		
R7312	1-218-937-11	RES-CHIP	47	5%	1/16W	R7459	1-218-990-81	SHORT CHIP	0		

REF.NO.	PART.NO	DESCRIPTION	REMARK	REF.NO.	PART.NO	DESCRIPTION	REMARK
R7512	1-218-965-11	RES-CHIP	10K 5% 1/16W	RB2008	1-239-674-81	RESISTOR, NETWORK 100	
R7514	1-218-965-11	RES-CHIP	10K 5% 1/16W	RB2009	1-239-674-81	RESISTOR, NETWORK 100	
R7515	1-218-961-11	RES-CHIP	4.7K 5% 1/16W	RB2010	1-239-698-11	RESISTOR, NETWORK 10K	
R7520	1-218-965-11	RES-CHIP	10K 5% 1/16W	RB2011	1-239-698-11	RESISTOR, NETWORK 10K	
R7521	1-218-965-11	RES-CHIP	10K 5% 1/16W	RB2012	1-239-698-11	RESISTOR, NETWORK 10K	
R7600	1-218-953-11	RES-CHIP	1K 5% 1/16W	RB3004	1-234-372-11	RES, NETWORK 100	(1005X4)
R7601	1-208-683-11	METAL CHIP	1K 0.5% 1/16W	RB3005	1-234-372-11	RES, NETWORK 100	(1005X4)
R7602	1-220-174-11	RES-CHIP	200 5% 1/16W	RB3006	1-234-372-11	RES, NETWORK 100	(1005X4)
R7603	1-208-711-11	METAL CHIP	15K 0.5% 1/16W	RB3007	1-234-378-21	RES, NETWORK 10K	(1005X4)
R7604	1-218-990-81	SHORT CHIP	0	RB3008	1-234-378-21	RES, NETWORK 10K	(1005X4)
R7605	1-208-715-11	METAL CHIP	22K 0.5% 1/16W	RB3010	1-234-372-11	RES, NETWORK 100	(1005X4)
R7606	1-208-939-11	METAL CHIP	150K 0.5% 1/16W	RB3011	1-234-372-11	RES, NETWORK 100	(1005X4)
R7607	1-208-923-11	METAL CHIP	33K 0.5% 1/16W	RB3013	1-239-698-11	RESISTOR, NETWORK 10K	
R7608	1-208-683-11	METAL CHIP	1K 0.5% 1/16W	RB3015	1-239-670-81	RESISTOR, NETWORK 47	
R7609	1-218-935-11	RES-CHIP	33 5% 1/16W	RB3016	1-239-698-11	RESISTOR, NETWORK 10K	
R7610	1-208-683-11	METAL CHIP	1K 0.5% 1/16W	RB3017	1-239-674-81	RESISTOR, NETWORK 100	
R7611	1-208-911-11	METAL CHIP	10K 0.5% 1/16W	RB3018	1-239-698-11	RESISTOR, NETWORK 10K	
R7613	1-218-990-81	SHORT CHIP	0	RB3019	1-239-698-11	RESISTOR, NETWORK 10K	
R7614	1-218-990-81	SHORT CHIP	0	RB3020	1-239-674-81	RESISTOR, NETWORK 100	
R7615	1-218-990-81	SHORT CHIP	0	RB3021	1-239-674-81	RESISTOR, NETWORK 100	
R7616	1-218-990-81	SHORT CHIP	0	RB3022	1-239-698-11	RESISTOR, NETWORK 10K	
R7617	1-218-990-81	SHORT CHIP	0	RB3024	1-239-698-11	RESISTOR, NETWORK 10K	
R7618	1-208-909-11	METAL CHIP	8.2K 0.5% 1/16W	RB4500	1-234-795-21	RES, NETWORK 0X4	(2010)
R7620	1-218-965-11	RES-CHIP	10K 5% 1/16W	RB4501	1-234-795-21	RES, NETWORK 0X4	(2010)
R7623	1-218-990-81	SHORT CHIP	0	RB4510	1-234-372-11	RES, NETWORK 100	(1005X4)
R7624	1-218-990-81	SHORT CHIP	0	RB4512	1-239-698-11	RESISTOR, NETWORK 10K	
R7625	1-208-911-11	METAL CHIP	10K 0.5% 1/16W	RB4701	1-234-372-11	RES, NETWORK 100	(1005X4)
R7626	1-218-990-81	SHORT CHIP	0	RB4702	1-234-372-11	RES, NETWORK 100	(1005X4)
R7627	1-208-715-11	METAL CHIP	22K 0.5% 1/16W	RB4703	1-234-372-11	RES, NETWORK 100	(1005X4)
R7628	1-208-935-11	METAL CHIP	100K 0.5% 1/16W	RB4704	1-239-698-11	RESISTOR, NETWORK 10K	
R7629	1-208-721-11	METAL CHIP	39K 0.5% 1/16W	RB4800	1-239-674-81	RESISTOR, NETWORK 100	
R7630	1-208-911-11	METAL CHIP	10K 0.5% 1/16W	RB4900	1-234-369-21	RES, NETWORK 10	(1005X4)
R7632	1-208-861-81	METAL CHIP	82 0.5% 1/16W	RB4901	1-234-369-21	RES, NETWORK 10	(1005X4)
R7633	1-208-869-11	METAL CHIP	180 0.5% 1/16W	RB4902	1-234-369-21	RES, NETWORK 10	(1005X4)
R7634	1-216-864-11	SHORT CHIP	0	RB4903	1-234-369-21	RES, NETWORK 10	(1005X4)
R7635	1-216-864-11	SHORT CHIP	0	RB4904	1-234-370-21	RES, NETWORK 22	(1005X4)
R7636	1-216-864-11	SHORT CHIP	0	RB4905	1-234-370-21	RES, NETWORK 22	(1005X4)
R7637	1-216-864-11	SHORT CHIP	0	RB4906	1-234-370-21	RES, NETWORK 22	(1005X4)
R7643	1-208-707-11	METAL CHIP	10K 0.5% 1/16W	RB4907	1-234-370-21	RES, NETWORK 22	(1005X4)
R7644	1-219-606-11	METAL CHIP	100K 0.5% 1/16W	RB4908	1-234-370-21	RES, NETWORK 22	(1005X4)
R7645	1-218-982-11	RES-CHIP	270K 5% 1/16W	RB4909	1-234-370-21	RES, NETWORK 22	(1005X4)
R7646	1-218-972-11	RES-CHIP	39K 5% 1/16W	RB4910	1-234-370-21	RES, NETWORK 22	(1005X4)
R7648	1-218-990-81	SHORT CHIP	0	RB4911	1-234-370-21	RES, NETWORK 22	(1005X4)
< RESISTOR CHIP >				RB5001	1-239-698-11	RESISTOR, NETWORK 10K	
				RB5002	1-239-670-81	RESISTOR, NETWORK 47	
RB2001	1-234-381-21	RES, NETWORK 100K	(1005X4)	RB5502	1-234-106-81	RES, NETWORK 0	
RB2003	1-239-698-11	RESISTOR, NETWORK 10K		RB5504	1-239-674-81	RESISTOR, NETWORK 100	
RB2004	1-239-674-81	RESISTOR, NETWORK 100		RB5505	1-239-674-81	RESISTOR, NETWORK 100	
RB2006	1-234-378-21	RES, NETWORK 10K	(1005X4)	RB5507	1-239-670-81	RESISTOR, NETWORK 47	
RB2007	1-234-378-21	RES, NETWORK 10K	(1005X4)	RB5508	1-239-706-81	RESISTOR, NETWORK 47K	

Note : The components identified by shading and marked Δ are critical for safety. Replace only with the part numbers specified in the parts list.

G3

REF.NO.	PART.NO	DESCRIPTION	REMARK	REF.NO.	PART.NO	DESCRIPTION	REMARK
C6014	Δ 1-161-964-91	CERAMIC	0.0047UF 250V	C6501	1-112-188-11	MYLAR 1.5UF	5% 450V
C6015	Δ 1-161-964-91	CERAMIC	0.0047UF 250V	C6503	1-112-188-11	MYLAR 1.5UF	5% 450V
C6016	1-114-379-21	ELECT(BLOCK)	150UF 20% 450V	C6505	1-162-964-11	CERAMIC CHIP 0.001UF	10.00% 50V
C6017	1-114-379-21	ELECT(BLOCK)	150UF 20% 450V	C6506	1-162-964-11	CERAMIC CHIP 0.001UF	10.00% 50V
C6018	1-119-894-51	CERAMIC	2200PF 20.00% 250V	C6507	1-162-966-11	CERAMIC CHIP 0.0022UF	10.00% 50V
C6019	1-163-021-91	CERAMIC CHIP	0.01UF 10.00% 50V	C6508	1-100-566-91	CERAMIC CHIP 0.1UF	10.00% 25V
C6020	1-163-021-91	CERAMIC CHIP	0.01UF 10.00% 50V	C6510	1-107-902-11	ELECT 1UF	20% 50V
C6100	1-162-970-11	CERAMIC CHIP	0.01UF 10.00% 25V	C6511	1-164-315-11	CERAMIC CHIP 470PF	5.00% 50V
C6101	1-100-831-91	CERAMIC CHIP	0.001UF 2% 50V	C6512	1-162-959-11	CERAMIC CHIP 330PF	5.00% 50V
C6102	1-107-906-11	ELECT	10UF 20% 50V	C6513	1-112-481-11	CERAMIC 470PF	10% 1KV
C6103	1-107-905-11	ELECT	4.7UF 20% 50V	C6514	1-112-481-11	CERAMIC 470PF	10% 1KV
C6104	1-107-910-11	ELECT	100UF 20% 50V	C6515	1-112-481-11	CERAMIC 470PF	10% 1KV
C6106	1-162-970-11	CERAMIC CHIP	0.01UF 10.00% 25V	C6516	1-112-481-11	CERAMIC 470PF	10% 1KV
C6107	1-107-888-11	ELECT	47UF 20% 25V	C6517	1-100-566-91	CERAMIC CHIP 0.1UF	10.00% 25V
C6108	1-115-340-11	CERAMIC CHIP	0.22UF 10.00% 25V	C6518	1-107-908-11	ELECT 33UF	20% 50V
C6110	1-112-481-11	CERAMIC	470PF 10% 1KV	C6519	1-107-906-11	ELECT 10UF	20% 50V
C6111	1-100-310-11	FILM	18000PF 3% 800V	C6521	1-107-906-11	ELECT 10UF	20% 50V
C6112	1-163-021-91	CERAMIC CHIP	0.01UF 10.00% 50V	< CONNECTOR >			
C6150	1-104-760-11	CERAMIC CHIP	0.047UF 10.00% 50V	CN6000	Δ *1-793-660-11	PIN, CONNECTOR (PC BOARD) 3P	
C6152	1-112-231-21	ELECT	2200UF 20% 16V	CN6001	*1-695-915-11	TAB (CONTACT)	
C6154	1-112-835-11	ELECT	3300UF 20% 25V	CN6002	*1-695-915-11	TAB (CONTACT)	
C6157	1-112-231-21	ELECT	2200UF 20% 16V	CN6003	*1-695-915-11	TAB (CONTACT)	
C6160	1-162-970-11	CERAMIC CHIP	0.01UF 10.00% 25V	CN6202	*1-785-708-11	PIN, CONNECTOR (PC BOARD) 12P	
C6170	1-112-231-21	ELECT	2200UF 20% 16V	CN6203	*1-785-707-11	PIN, CONNECTOR (PC BOARD) 11P	
C6200	1-107-826-11	CERAMIC CHIP	0.1UF 10.00% 16V	CN6204	*1-778-853-11	PIN, CONNECTOR (PC BOARD) 8P	
C6201	1-162-927-11	CERAMIC CHIP	100PF 5.00% 50V	CN6501	*1-793-660-11	PIN, CONNECTOR (PC BOARD) 3P	
C6202	1-107-903-11	ELECT	2.2UF 20% 50V	CN6502	*1-793-660-11	PIN, CONNECTOR (PC BOARD) 3P	
C6203	1-100-139-41	FILM	0.001UF 5% 630V	< DIODE >			
C6204	1-107-904-11	ELECT	3.3UF 20% 50V	D6000	8-719-054-89	DIODE D15XB60	
C6205	1-107-910-11	ELECT	100UF 20% 50V	D6100	8-719-081-67	DIODE M1FM3	
C6206	1-162-964-11	CERAMIC CHIP	0.001UF 10.00% 50V	D6101	6-500-137-01	DIODE BAT54HT1	
C6250	1-128-949-31	ELECT	470UF 20% 16V	D6102	8-719-017-89	DIODE MA8150-TX	
C6251	1-107-826-11	CERAMIC CHIP	0.1UF 10.00% 16V	D6104	8-719-979-64	DIODE UF4005/23	
C6300	1-165-908-11	CERAMIC CHIP	1UF 10% 10V	D6105	8-719-081-67	DIODE M1FM3	
C6301	1-107-826-11	CERAMIC CHIP	0.1UF 10.00% 16V	D6151	8-719-060-88	DIODE D4SBS6	
C6302	1-162-964-11	CERAMIC CHIP	0.001UF 10.00% 50V	D6152	6-501-545-01	DIODE SG10SC6-F5	
C6304	1-100-566-91	CERAMIC CHIP	0.1UF 10.00% 25V	D6153	6-501-545-01	DIODE SG10SC6-F5	
C6305	1-162-964-11	CERAMIC CHIP	0.001UF 10.00% 50V	D6201	8-719-058-74	DIODE 05NU42-TPA2	
C6306	1-125-891-11	CERAMIC CHIP	0.47UF 10.00% 10V	D6203	6-500-567-31	DIODE 10ERB20-TB3	
C6307	1-162-964-11	CERAMIC CHIP	0.001UF 10.00% 50V	D6204	6-500-567-31	DIODE 10ERB20-TB3	
C6308	1-100-566-91	CERAMIC CHIP	0.1UF 10.00% 25V	D6206	8-719-404-50	DIODE MA111-TX	
C6309	1-107-910-11	ELECT	100UF 20% 50V	D6250	8-719-510-02	DIODE D1NS4	
C6310	1-162-964-11	CERAMIC CHIP	0.001UF 10.00% 50V	D6251	8-719-073-35	DIODE RB551V-30TE-17	
C6311	1-131-872-91	CERAMIC CHIP	1000PF 10% 630V	D6303	8-719-404-50	DIODE MA111-TX	
C6402	1-162-970-11	CERAMIC CHIP	0.01UF 10.00% 25V	D6304	8-719-404-50	DIODE MA111-TX	
C6403	1-162-970-11	CERAMIC CHIP	0.01UF 10.00% 25V	D6308	8-719-404-50	DIODE MA111-TX	
C6408	1-165-908-11	CERAMIC CHIP	1UF 10% 10V	D6309	8-719-404-50	DIODE MA111-TX	
C6410	1-107-826-11	CERAMIC CHIP	0.1UF 10.00% 16V	D6310	8-719-404-50	DIODE MA111-TX	
C6411	1-125-891-11	CERAMIC CHIP	0.47UF 10.00% 10V				
C6500	1-112-744-61	MYLAR	1UF 10% 450V				

Note : The components identified by shading and marked Δ are critical for safety. Replace only with the part numbers specified in the parts list.

G3

REF.NO.	PART.NO	DESCRIPTION	REMARK	REF.NO.	PART.NO	DESCRIPTION	REMARK
D6311	8-719-018-01	DIODE MA8220-TX		L6151	1-414-487-41	INDUCTOR	1UH
D6312	8-719-404-50	DIODE MA111-TX		L6152	1-457-239-11	INDUCTOR	4.7UH
D6313	8-719-404-50	DIODE MA111-TX		L6250	1-414-183-41	INDUCTOR	10UH
D6400	8-719-017-89	DIODE MA8150-TX		L6500	1-457-277-11	INDUCTOR	260UH
D6401	8-719-404-50	DIODE MA111-TX		L6501	1-457-435-11	INDUCTOR	300UH
D6402	8-719-404-50	DIODE MA111-TX				< PHOTOCOUPLER >	
D6404	8-719-404-50	DIODE MA111-TX		PH6100	6-600-187-01	PHOTO COUPLER	PC123Y22J00F
D6500	6-500-108-01	DIODE EP05FA20		PH6200	6-600-187-01	PHOTO COUPLER	PC123Y22J00F
D6501	6-500-108-01	DIODE EP05FA20		PH6300	6-600-187-01	PHOTO COUPLER	PC123Y22J00F
D6502	6-500-137-01	DIODE BAT54HT1		PH6301	6-600-187-01	PHOTO COUPLER	PC123Y22J00F
D6503	8-719-404-50	DIODE MA111-TX		PH6302	6-600-187-01	PHOTO COUPLER	PC123Y22J00F
D6506	8-719-029-04	DIODE D5L60				< TRANSISTOR >	
D6511	8-719-404-50	DIODE MA111-TX		Q6100	6-551-302-01	TRANSISTOR 2SK3561(LBS1SONY,Q)	
D6512	8-719-404-50	DIODE MA111-TX		Q6101	6-551-302-01	TRANSISTOR 2SK3561(LBS1SONY,Q)	
D6513	6-500-137-01	DIODE BAT54HT1		Q6300	6-551-696-01	TRANSISTOR 1SA1235AC1TP-1EF	
ET6000	1-537-770-21	TERMINAL BOARD, GROUND		Q6301	8-729-620-07	TRANSISTOR 2SC3052EF-T1-LEF	
ET6001	1-537-770-21	TERMINAL BOARD, GROUND		Q6303	6-551-678-01	TRANSISTOR 2SA1364-T111-1DE	
ET6002	1-537-770-21	TERMINAL BOARD, GROUND					
ET6003	1-537-770-21	TERMINAL BOARD, GROUND		Q6304	8-729-620-07	TRANSISTOR 2SC3052EF-T1-LEF	
		< FUSE >		Q6305	8-729-620-07	TRANSISTOR 2SC3052EF-T1-LEF	
F6000	Δ 1-576-233-51	FUSE	6.3A 250V	Q6306	8-729-620-07	TRANSISTOR 2SC3052EF-T1-LEF	
FH6000	Δ 1-533-223-11	FUSE HOLDER		Q6307	6-551-696-01	TRANSISTOR 1SA1235AC1TP-1EF	
FH6001	Δ 1-533-223-11	FUSE HOLDER		Q6403	6-551-714-01	TRANSISTOR INK0001AC1-T112A-1	
		< FERRITE BEAD >		Q6405	6-551-696-01	TRANSISTOR 1SA1235AC1TP-1EF	
FB6000	1-412-911-11	FERRITE	0UH	Q6406	8-729-620-07	TRANSISTOR 2SC3052EF-T1-LEF	
FB6001	1-412-911-11	FERRITE	0UH	Q6407	6-551-714-01	TRANSISTOR INK0001AC1-T112A-1	
FB6004	1-410-396-41	FERRITE	0.45UH	Q6500	8-729-620-07	TRANSISTOR 2SC3052EF-T1-LEF	
FB6005	1-410-396-41	FERRITE	0.45UH	Q6501	6-551-696-01	TRANSISTOR 1SA1235AC1TP-1EF	
FB6100	1-412-911-11	FERRITE	0UH	Q6502	6-551-336-01	TRANSISTOR 2SK3934(LBS1SONY.Q)	
FB6101	1-412-911-11	FERRITE	0UH	Q6503	6-551-336-01	TRANSISTOR 2SK3934(LBS1SONY.Q)	
FB6150	1-412-911-11	FERRITE	0UH	Q6504	8-729-820-90	TRANSISTOR 2SD1621-ST	
FB6151	1-412-911-11	FERRITE	0UH	Q6505	8-729-804-41	TRANSISTOR 2SB1122-S	
FB6152	1-412-911-11	FERRITE	0UH	Q6506	6-551-696-01	TRANSISTOR 1SA1235AC1TP-1EF	
FB6153	1-412-911-11	FERRITE	0UH			< RESISTOR >	
		< IC >		JR6001	1-216-864-11	SHORT CHIP	0
IC6100	6-707-749-01	IC CXD9841P		JR6002	1-216-295-91	SHORT CHIP	0
IC6150	6-709-368-01	IC MM1431ATT (CN)		JR6003	1-216-296-11	SHORT CHIP	0
IC6200	6-708-801-01	IC MIP2H2		JR6004	1-216-295-91	SHORT CHIP	0
IC6250	6-709-442-01	IC MM1530ATT		JR6005	1-216-295-91	SHORT CHIP	0
IC6300	6-709-368-01	IC MM1431ATT (CN)		JR6006	1-216-864-11	SHORT CHIP	0
IC6301	6-709-368-01	IC MM1431ATT (CN)		JR6007	1-216-296-11	SHORT CHIP	0
IC6500	6-709-791-01	IC L6562N		JR6008	1-216-296-11	SHORT CHIP	0
		< COIL >		JR6009	1-216-296-11	SHORT CHIP	0
L6000	Δ 1-457-472-11	LINE FILTER COIL		JR6010	1-216-296-11	SHORT CHIP	0
L6002	Δ 1-457-472-11	LINE FILTER COIL		JR6011	1-216-295-91	SHORT CHIP	0
L6150	1-414-487-41	INDUCTOR	1UH	JR6012	1-216-295-91	SHORT CHIP	0
				JR6013	1-216-295-91	SHORT CHIP	0
				JR6014	1-216-295-91	SHORT CHIP	0
				JR6015	1-216-864-11	SHORT CHIP	0

Note : The components identified by shading and marked Δ are critical for safety. Replace only with the part numbers specified in the parts list.



REF.NO.	PART.NO	DESCRIPTION	REMARK	REF.NO.	PART.NO	DESCRIPTION	REMARK
JR6016	1-216-296-11	SHORT CHIP	0	R6304	1-218-863-11	METAL CHIP	4.7K 0.5% 1/10W
JR6017	1-216-295-91	SHORT CHIP	0	R6305	1-216-833-11	METAL CHIP	10K 5% 1/10W
R6009	1-240-251-11	METAL	6.8 5% 10W	R6309	1-216-833-11	METAL CHIP	10K 5% 1/10W
R6014	1-216-857-11	METAL CHIP	1M 5% 1/10W	R6310	1-216-833-11	METAL CHIP	10K 5% 1/10W
R6015	1-216-857-11	METAL CHIP	1M 5% 1/10W	R6311	1-218-863-11	METAL CHIP	4.7K 0.5% 1/10W
R6100	1-218-885-11	METAL CHIP	39K 0.5% 1/10W	R6312	1-218-887-11	METAL CHIP	47K 0.5% 1/10W
R6101	1-249-385-11	CARBON	2.2 5% 1/4W	R6313	1-216-864-11	SHORT CHIP	0
R6102	1-218-863-11	METAL CHIP	4.7K 0.5% 1/10W	R6315	1-216-829-11	METAL CHIP	4.7K 5% 1/10W
R6103	1-218-827-11	METAL CHIP	150 0.5% 1/10W	R6316	1-216-833-11	METAL CHIP	10K 5% 1/10W
R6104	1-218-877-11	METAL CHIP	18K 0.5% 1/10W	R6317	1-216-829-11	METAL CHIP	4.7K 5% 1/10W
R6106	1-208-854-11	METAL CHIP	1M 0.5% 1/10W	R6319	1-216-821-11	METAL CHIP	1K 5% 1/10W
R6107	1-208-854-11	METAL CHIP	1M 0.5% 1/10W	R6320	1-218-903-11	METAL CHIP	220K 0.5% 1/10W
R6108	1-208-854-11	METAL CHIP	1M 0.5% 1/10W	R6321	1-218-887-11	METAL CHIP	47K 0.5% 1/10W
R6109	1-208-854-11	METAL CHIP	1M 0.5% 1/10W	6322	1-216-837-11	METAL CHIP	22K 5% 1/10W
R6110	Δ 1-202-933-61	FUSIBLE	0.1 10% 1/2W	R6324	1-216-833-11	METAL CHIP	10K 5% 1/10W
R6111	1-218-760-11	METAL CHIP	220K 0.5% 1/10W	R6325	1-218-889-11	METAL CHIP	56K 0.5% 1/10W
R6112	1-218-877-11	METAL CHIP	18K 0.5% 1/10W	R6326	1-216-849-11	METAL CHIP	220K 5% 1/10W
R6115	1-211-981-11	METAL CHIP	33 0.5% 1/10W	R6327	1-216-833-11	METAL CHIP	10K 5% 1/10W
R6116	1-216-009-91	RES-CHIP	22 5% 1/10W	R6328	1-218-911-11	METAL CHIP	470K 0.5% 1/10W
R6117	1-216-009-91	RES-CHIP	22 5% 1/10W	R6329	1-218-887-11	METAL CHIP	47K 0.5% 1/10W
R6118	1-216-833-11	METAL CHIP	10K 5% 1/10W	R6332	1-216-793-11	METAL CHIP	4.7 5% 1/10W
R6119	1-216-833-11	METAL CHIP	10K 5% 1/10W	R6333	1-216-843-11	METAL CHIP	68K 5% 1/10W
R6120	1-216-361-00	METAL OXIDE	0.22 5% 2W	R6334	1-216-841-11	METAL CHIP	47K 5% 1/10W
R6121	1-216-361-00	METAL OXIDE	0.22 5% 2W	R6335	1-218-847-11	METAL CHIP	1K 0.5% 1/10W
R6122	1-216-857-11	METAL CHIP	1M 5% 1/10W	R6336	1-216-864-11	SHORT CHIP	0
R6123	1-218-847-11	METAL CHIP	1K 0.5% 1/10W	R6404	1-216-837-11	METAL CHIP	22K 5% 1/10W
R6150	1-216-821-11	METAL CHIP	1K 5% 1/10W	R6405	1-216-809-11	METAL CHIP	100 5% 1/10W
R6151	1-216-821-11	METAL CHIP	1K 5% 1/10W	R6408	1-216-833-11	METAL CHIP	10K 5% 1/10W
R6152	1-216-821-11	METAL CHIP	1K 5% 1/10W	R6413	1-216-833-11	METAL CHIP	10K 5% 1/10W
R6153	1-218-859-11	METAL CHIP	3.3K 0.5% 1/10W	R6415	1-216-837-11	METAL CHIP	22K 5% 1/10W
R6154	1-218-875-11	METAL CHIP	15K 0.5% 1/10W	R6416	1-216-833-11	METAL CHIP	10K 5% 1/10W
R6155	1-216-845-11	METAL CHIP	100K 5% 1/10W	R6418	1-216-864-11	SHORT CHIP	0
R6157	1-216-841-11	METAL CHIP	47K 5% 1/10W	R6420	1-216-817-11	METAL CHIP	470 5% 1/10W
R6158	1-249-389-11	CARBON	4.7 5% 1/4W	R6429	1-216-833-11	METAL CHIP	10K 5% 1/10W
R6159	1-218-863-11	METAL CHIP	4.7K 0.5% 1/10W	R6430	1-216-833-11	METAL CHIP	10K 5% 1/10W
R6200	Δ 1-212-958-00	FUSIBLE	10 5% 1/2W	R6433	1-216-821-11	METAL CHIP	1K 5% 1/10W
R6201	1-218-865-11	METAL CHIP	5.6K 0.5% 1/10W	R6434	1-216-821-11	METAL CHIP	1K 5% 1/10W
R6202	1-243-725-71	METAL OXIDE	100K 5% 1W	R6435	1-216-864-11	SHORT CHIP	0
R6203	1-249-385-11	CARBON	2.2 5% 1/4W	R6436	1-216-837-11	METAL CHIP	22K 5% 1/10W
R6250	1-216-821-11	METAL CHIP	1K 5% 1/10W	R6437	1-216-821-11	METAL CHIP	1K 5% 1/10W
R6251	1-216-827-11	METAL CHIP	3.3K 5% 1/10W	R6438	1-216-829-11	METAL CHIP	4.7K 5% 1/10W
R6252	1-216-805-11	METAL CHIP	47 5% 1/10W	R6500	Δ 1-218-760-11	METAL CHIP	220K 0.5% 1/10W
R6253	1-218-879-11	METAL CHIP	22K 0.5% 1/10W	R6501	Δ 1-218-760-11	METAL CHIP	220K 0.5% 1/10W
R6254	1-218-871-11	METAL CHIP	10K 0.5% 1/10W	R6502	Δ 1-208-830-11	METAL CHIP	100K 0.5% 1/10W
R6255	1-218-867-11	METAL CHIP	6.8K 0.5% 1/10W	R6503	1-218-911-11	METAL CHIP	470K 0.5% 1/10W
R6300	1-216-835-11	METAL CHIP	15K 5% 1/10W	R6504	Δ 1-218-760-11	METAL CHIP	220K 0.5% 1/10W
R6301	1-216-833-11	METAL CHIP	10K 5% 1/10W	R6505	Δ 1-218-760-11	METAL CHIP	220K 0.5% 1/10W
R6302	1-218-903-11	METAL CHIP	220K 0.5% 1/10W	R6506	1-218-913-91	METAL CHIP	560K 0.5% 1/10W
R6303	1-218-885-11	METAL CHIP	39K 0.5% 1/10W	R6507	1-218-865-11	METAL CHIP	5.6K 0.5% 1/10W
				R6508	1-218-881-11	METAL CHIP	27K 0.5% 1/10W

Note : The components identified by shading and marked Δ are critical for safety. Replace only with the part numbers specified in the parts list.

H3 **H4**

REF.NO.	PART.NO	DESCRIPTION	REMARK
R305	1-216-825-11	METAL CHIP	2.2K 5% 1/10W
R321	1-216-839-11	METAL CHIP	33K 5% 1/10W
R322	1-216-821-11	METAL CHIP	1K 5% 1/10W
R323	1-216-833-11	METAL CHIP	10K 5% 1/10W
R325	1-216-864-11	SHORT CHIP	0
R326	1-216-847-11	METAL CHIP	150K 5% 1/10W
R327	1-216-864-11	SHORT CHIP	0
R328	1-216-823-11	METAL CHIP	1.5K 5% 1/10W

*** A-1220-320-A H4 Board, Complete**

< CAPACITOR >

C401	1-162-960-11	CERAMIC CHIP 220PF	10.00% 50V
C402	1-100-909-11	CERAMIC CHIP 10UF	10% 6.3V

< CONNECTOR >

CN401	*1-820-297-11	HEADER ASSEMBLY (PRINT PWB) 3P
-------	---------------	--------------------------------

< IC >

IC401	6-600-502-01	HIC GP1UE26RK0VF
-------	--------------	------------------

< RESISTOR >

R401	1-216-817-11	METAL CHIP	470 5% 1/10W
R402	1-216-805-11	METAL CHIP	47 5% 1/10W

REF.NO.	PART.NO	DESCRIPTION	REMARK
MISCELLANEOUS			
	1-474-052-11	POWER UNIT (32D30XXUK/AEP)	
Δ	1-819-729-14	INLET, AC WITH NOISE FILTER	
Δ	1-824-338-21	POWER-SUPPLY CORD FERRITE CORE (40/46D30XXAEP)	
Δ	1-824-337-21	POWER-SUPPLY CORD FERRITE CORE (40/46D30XXUK)	
	1-826-646-11	LOUDSPEAKER (13X7CM) (46D30XXUK/AEP)	
	1-826-647-11	LOUDSPEAKER (5.5X15.5CM) (40D30XXUK/AEP)	
	1-826-648-11	LOUDSPEAKER (4.2X15CM) (32D30XXUK/AEP)	
Δ	1-830-210-11	POWER-SUPPLY CORD SET (32D30XXUK)	
Δ	1-830-211-11	POWER-SUPPLY CORD SET (32D30XXAEP)	
	8-597-613-00	TUNER UNIT, DIGITAL BTD-HF401Z	

ACCESSORIES AND CONNECTORS

1-769-175-21	ANTENNA CABLE
1-833-927-12	CONNECTOR ASSY (40D30XXUK/AEP)
1-833-928-12	CONNECTOR ASSY (46D30XXUK/AEP)
1-833-929-12	CONNECTOR ASSY (46D30XXUK/AEP)
1-833-958-11	CONNECTOR ASSY (46D30XXUK/AEP)
1-833-962-11	HARNESS WITH CONNECTOR (LVDS) (40D30XXUK/AEP)
1-833-963-11	HARNESS WITH CONNECTOR (LVDS) (46D30XXUK/AEP)
1-833-964-11	HARNESS WITH CONNECTOR (LVDS) (32D30XXUK/AEP)
1-910-036-32	CONNECTOR ASSY U2 20P (CN1400(BC)-CN201(U2)(1)) (32D3000UK/AEP)
1-910-036-33	CONNECTOR ASSY H1, H3, H4 20P (CN3008(BC)-CN101(H1)/CN301(H3)/CN401(H4)(1)) (32D30XXUK/AEP)
1-910-036-34	CONNECTOR ASSY 14P (CN6202(G1H)-CN4001(BC)-CN4002(BC)/CN4003(BC)(1)) (32D30XXUK/AEP)
1-910-036-35	CONNECTOR ASSY 13P (CN4001(BC)-CN6201(G1H)(1)) (32D30XXUK/AEP)
1-910-036-36	CONNECTOR ASSY 4P (CN2000(BC)-SP(1)) (32D30XXUK/AEP)
1-910-036-38	CONNECTOR ASSY U2 20P (CN1400(BC)-CN201(U2)(1)) (40D30XXUK/AEP)
1-910-036-39	CONNECTOR ASSY H1, H3, H4 20P (CN3008(BC)-CN101(H1)/CN301(H3)/CN401(H4)(1)) (40D30XXUK/AEP)
1-910-036-40	CONNECTOR ASSY 12P (CN4001(BC)-CN6201(G3)(1)) (40D30XXUK/AEP)
1-910-036-41	CONNECTOR ASSY 11P (CN6203(G3)-CN4002(BC)/CN4003(BC)(1)) (40D30XXUK/AEP)
1-910-036-42	CONNECTOR ASSY 4P (CN2000(BC)-SP(1)) (40D30XXUK/AEP)
1-910-036-43	CONNECTOR ASSY 8P (CN6204(G3)-CN6705(D1)(1)) (40D30XXUK/AEP)
1-910-036-44	CONNECTOR ASSY 7P (CN126(INVERTER)-CN6701(D1)(1)) (40D30XXUK/AEP)
1-910-036-45	CONNECTOR ASSY U2 20P (CN1400(BC)-CN201(U2)(1)) (46D30XXUK/AEP)
1-910-036-46	CONNECTOR ASSY H1, H3, H4 20P (CN3008(BC)-CN101(H1)/CN301(H3)/CN401(H4)(1)) (46D30XXUK/AEP)

REF.NO.	PART.NO	DESCRIPTION	REMARK	REF.NO.	PART.NO	DESCRIPTION	REMARK
1-910-036-47		CONNECTOR ASSY 4P (CN2000(BC)-SP(1))	(46D30XXUK/AEP)				
1-910-036-48		CONNECTOR ASSY 12P (CN4001(BC)-CN6202(G3)(1))	(46D30XXUK/AEP)				
1-910-036-49		CONNECTOR ASSY 11P (CN6203(G3)-CN4002(BC)/CN4003(BC)(1))	46D30XXUK/AEP)				
1-910-036-50		CONNECTOR ASSY 8P (CN6204(G3)-CN6705(D1)(1))	(46D30XXUK/AEP)				
1-910-036-51		CONNECTOR ASSY 13P (CN6704(D1)-CN6950(D2)(1))	(46D30XXUK/AEP)				
1-910-036-52		CONNECTOR ASSY 7P (CN125(INVERTER)-CN6701(D1)(1))	(46D30XXUK/AEP)				
1-910-036-54		CONNECTOR ASSY 1P (VESA(R) LOWER-CN6009(1))	(46D30XXUK/AEP)				
1-910-036-55		CONNECTOR ASSY 1P (VESA(L)-CN6952(1))	(46D30XXUK/AEP)				
*3-096-727-11		INSTRUCTION MANUAL (32/40/46D30XXUK) (ENGLISH)					
*3-096-727-21		INSTRUCTION MANUAL (32/40/46D30XXAEP)	(GERMAN/FRENCH/ITALIAN/DUTCH)				
*3-096-727-31		INSTRUCTION MANUAL (32/40/46D30XXAEP)	(SPANISH/GREEK/PORTUGUESE)				
*3-096-727-41		INSTRUCTION MANUAL (32/40/46D30XXAEP)	(DANISH/FINNISH/NORWEGIAN/SWEDISH)				
*3-096-727-51		INSTRUCTION MANUAL (32/40/46D30XXAEP)	(ENGLISH/POLISH/RUSSIAN)				
*3-096-727-61		INSTRUCTION MANUAL (32/40/46D30XXAEP)	(CZECH/HUNGARIAN/SLOVAK/TURKISH)				

REMOTE COMMANDER

1-480-158-11 REMOTE COMMANDER (RM-ED009)

