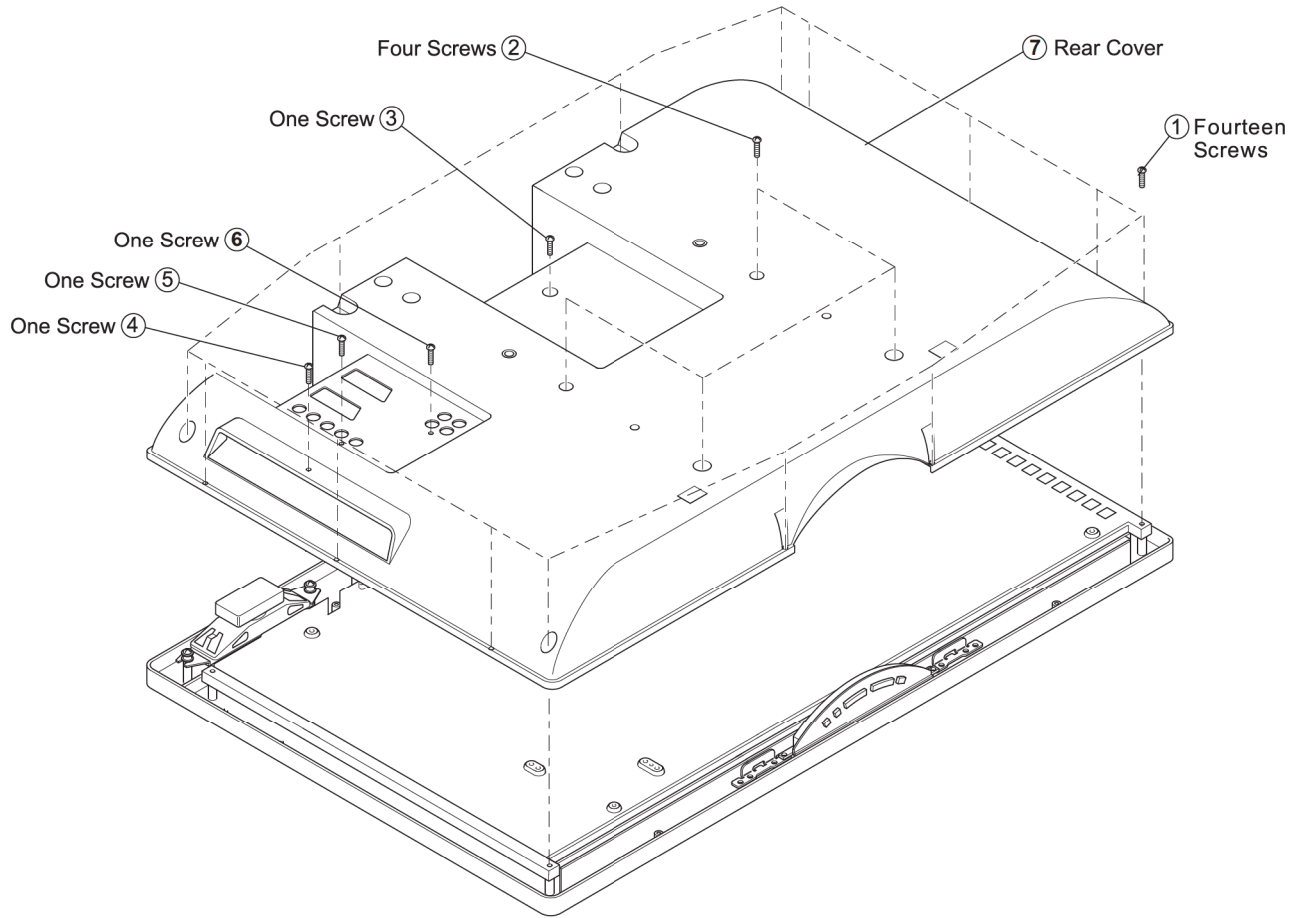
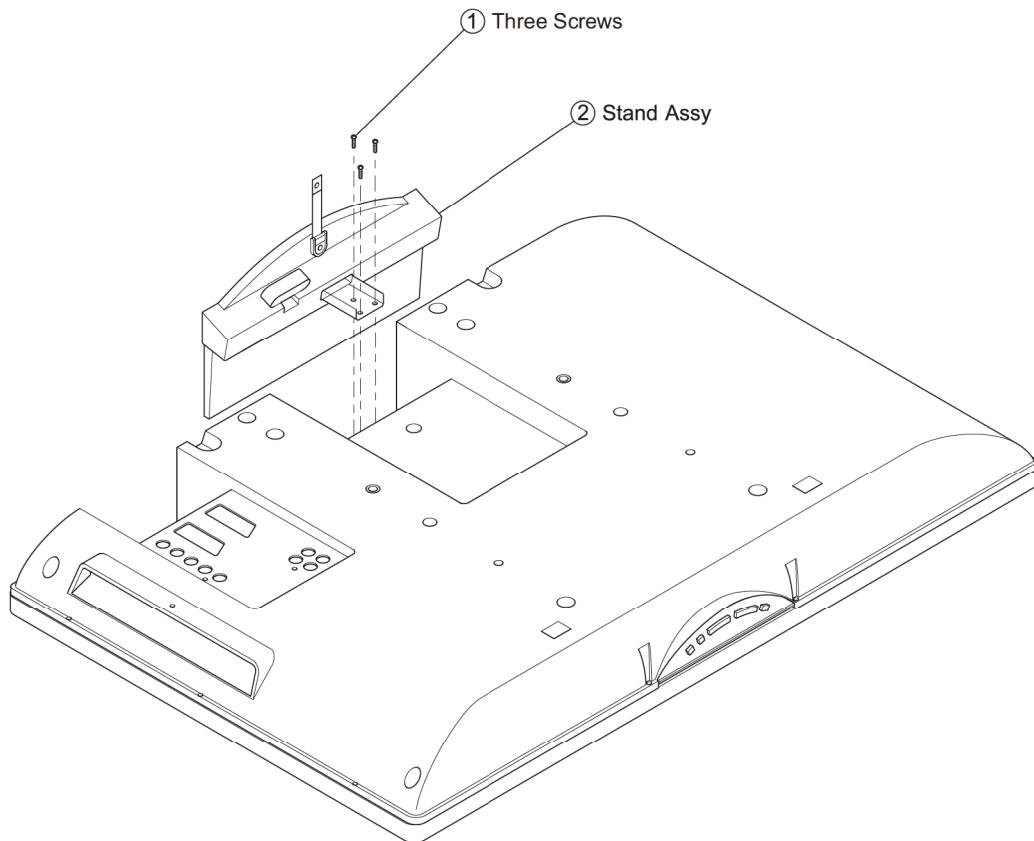


# SECTION 2 DISASSEMBLY

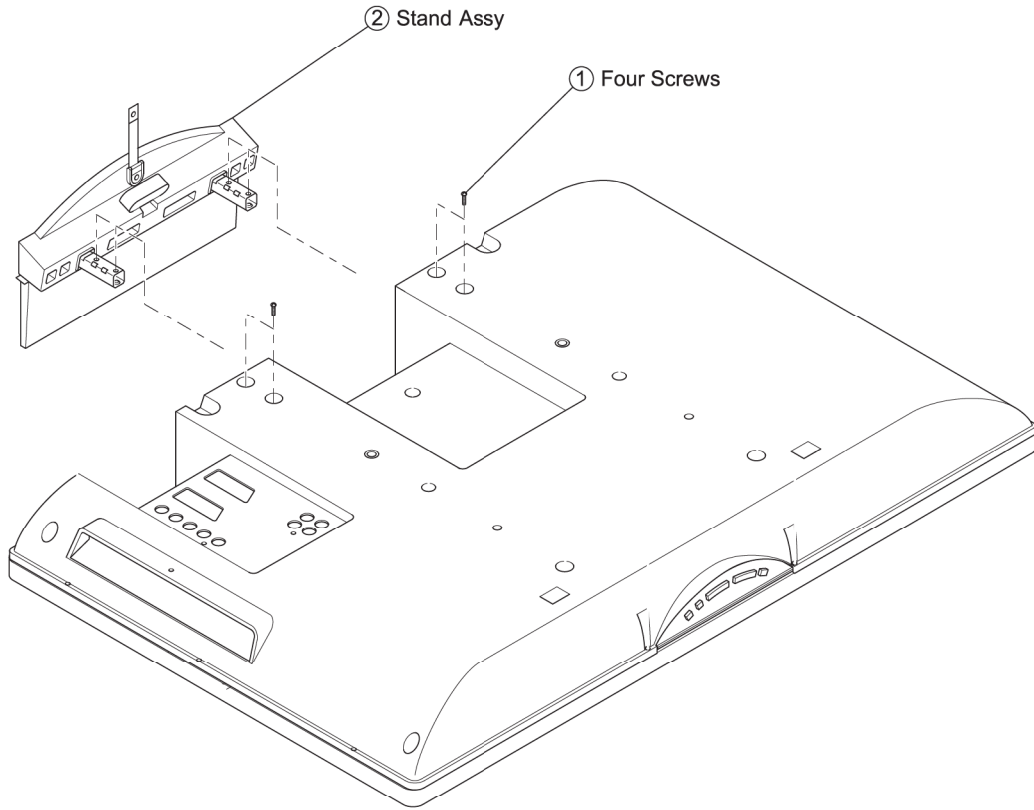
## 2-1. REAR COVER REMOVAL



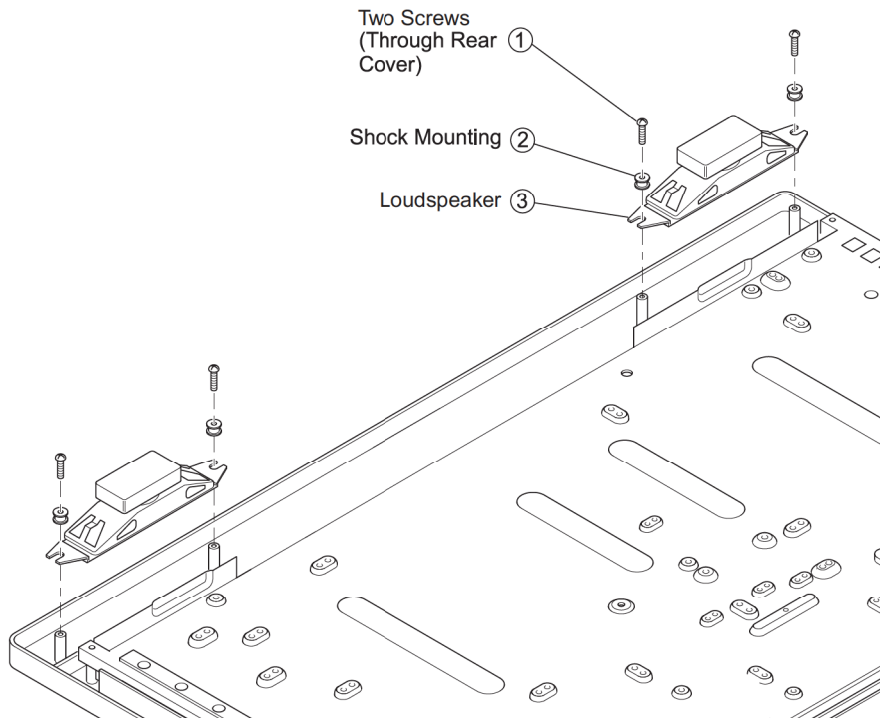
## 2-2. STAND REMOVAL (26 & 32 inches)



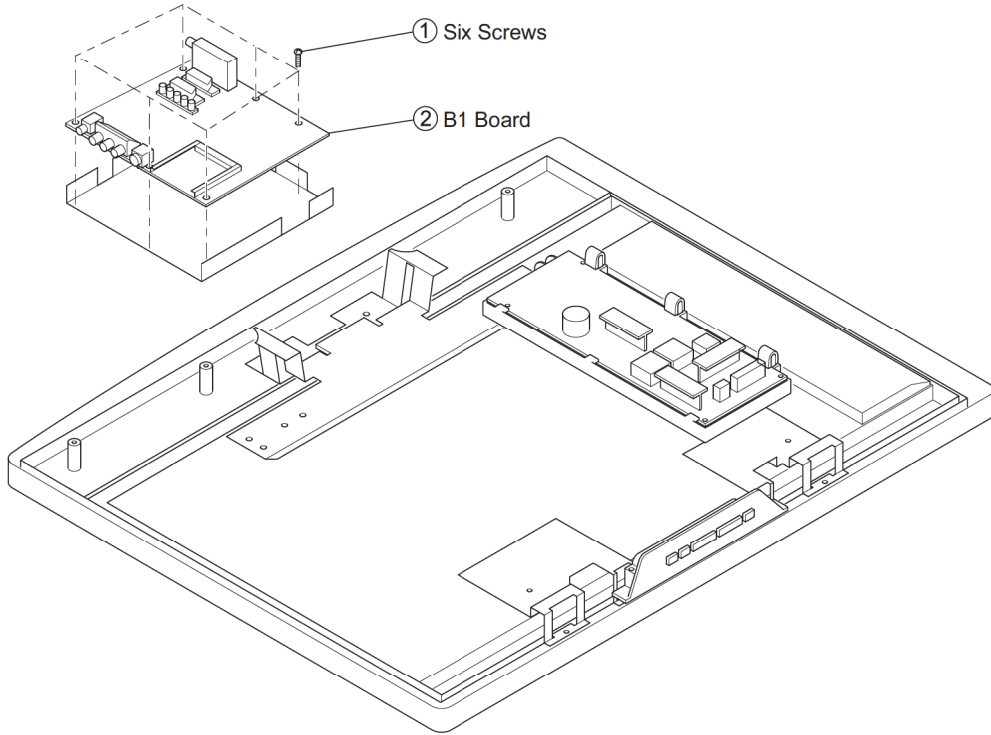
### 2-3. STAND REMOVAL (37 & 40 inches)



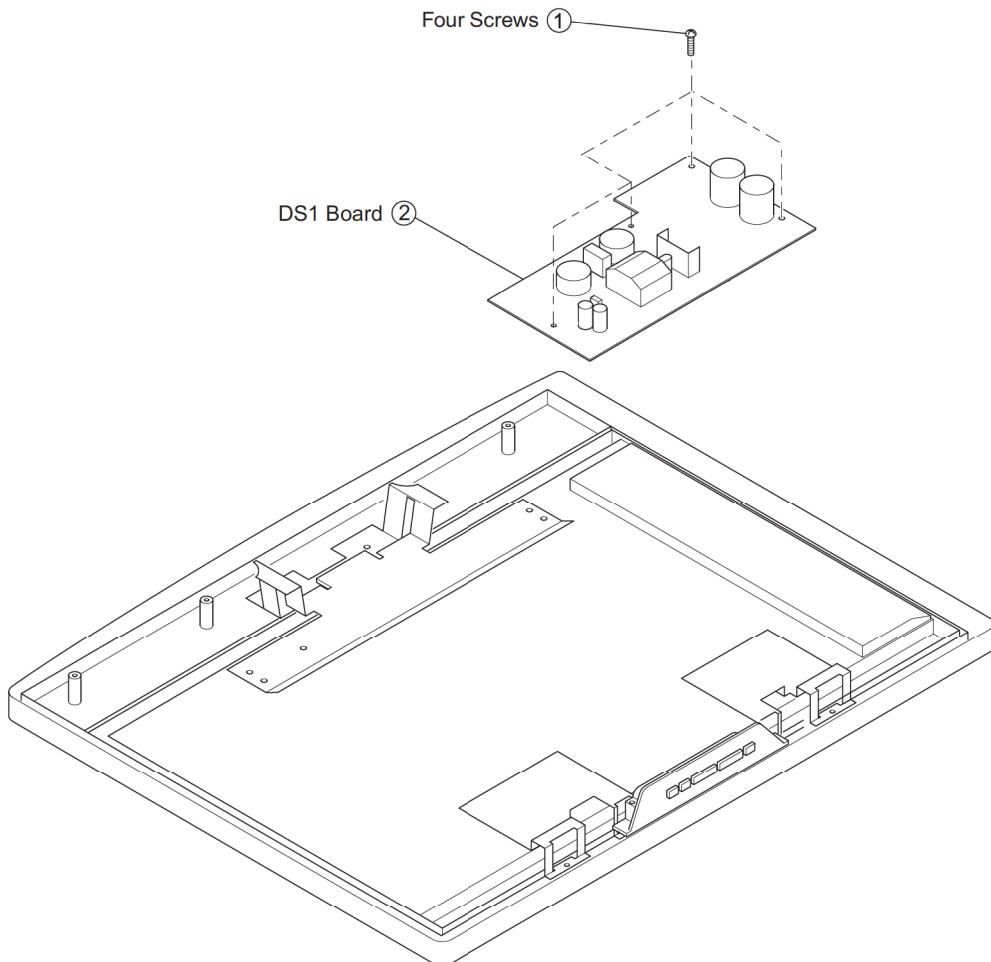
### 2-4. LOUDSPEAKER REMOVAL



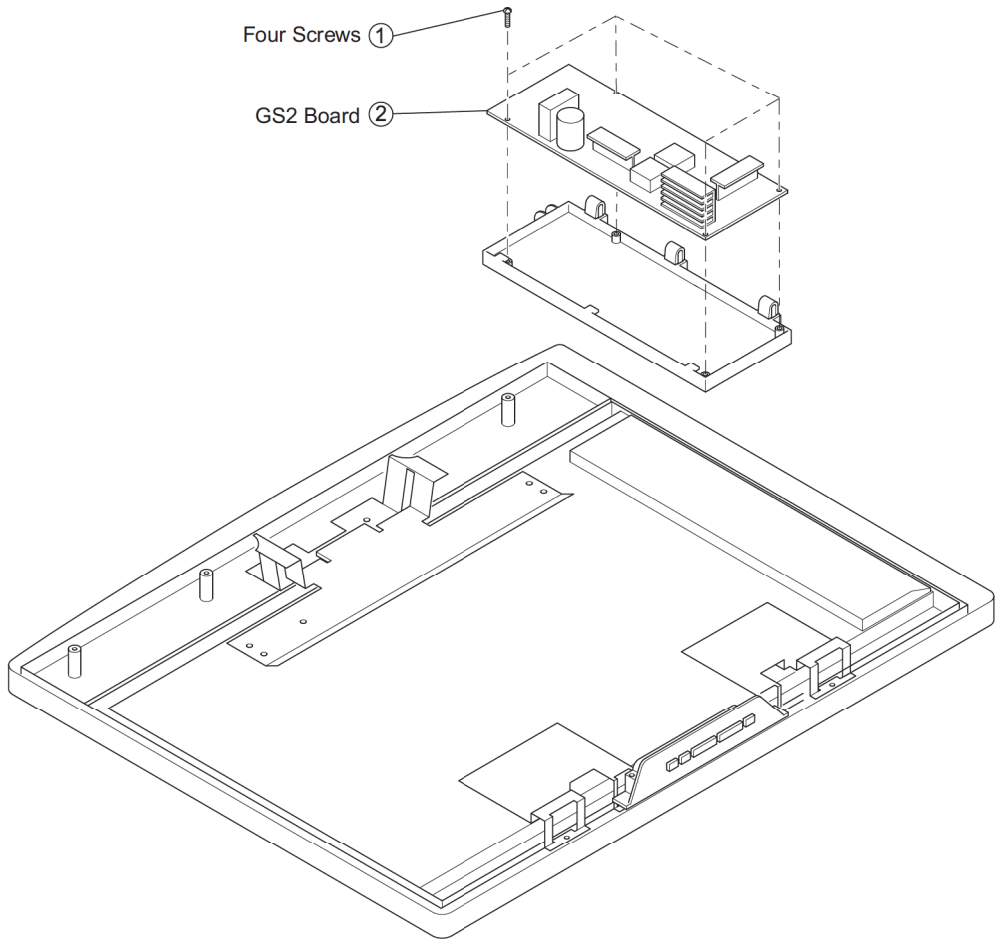
### 2-5. B1 BOARD REMOVAL



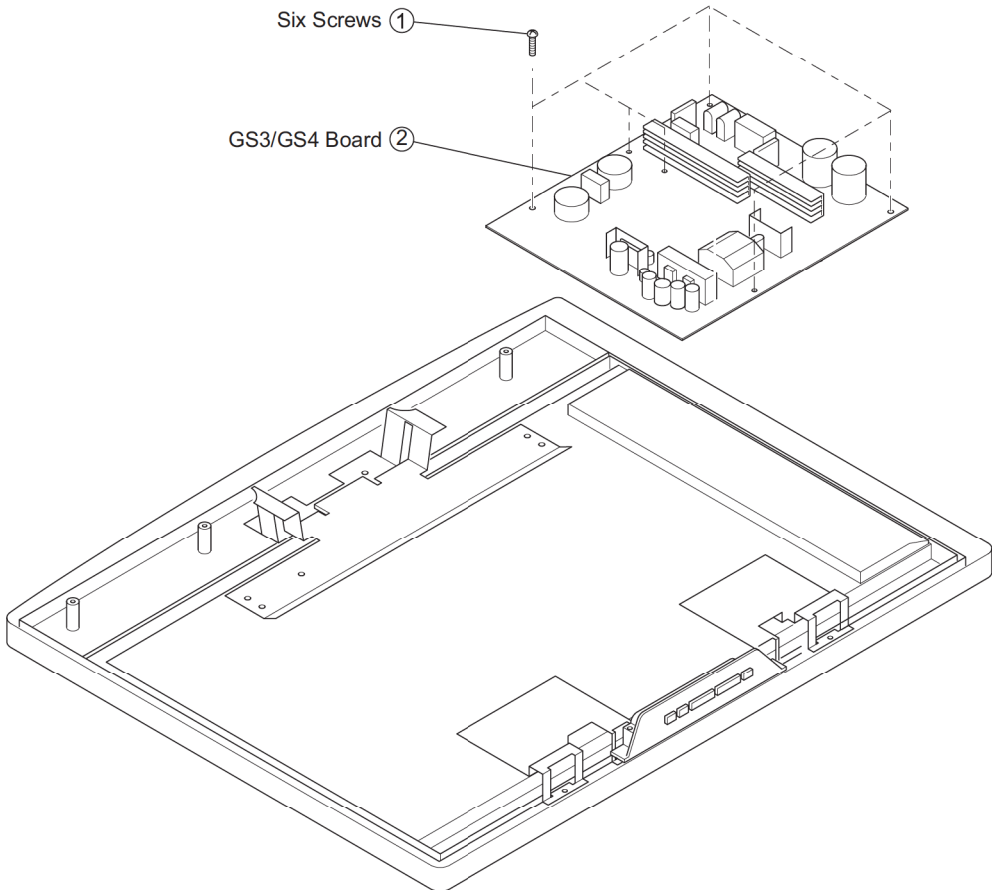
### 2-6. DS1 BOARD REMOVAL (40 inches)



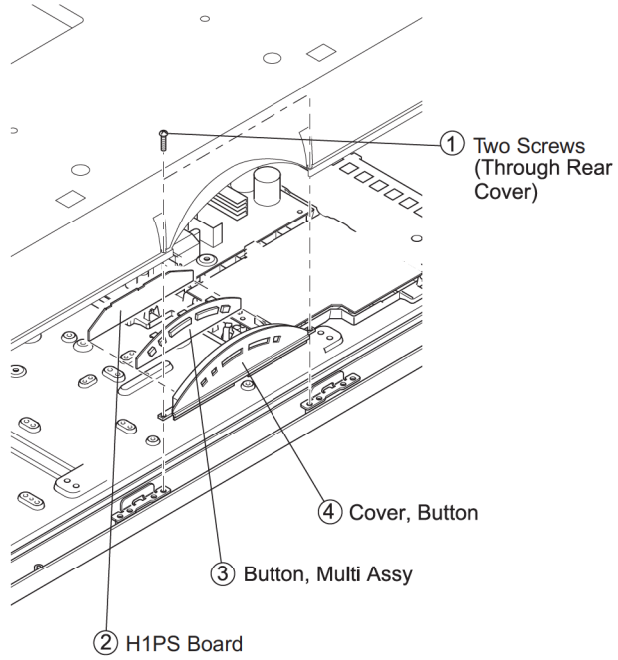
**2-7. GS2 BOARD REMOVAL (26 & 32 inches)**



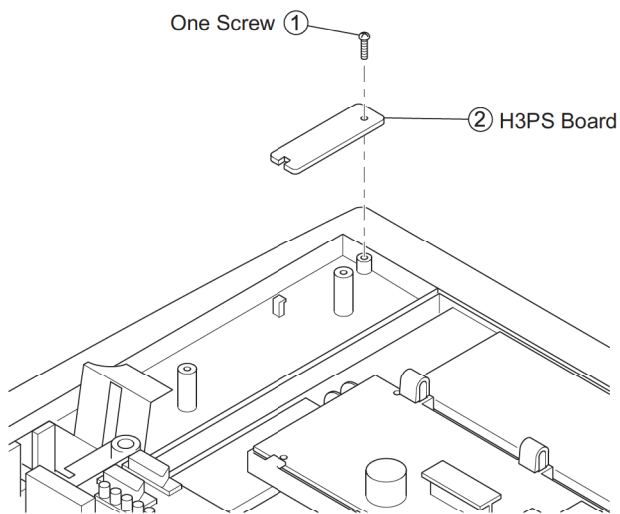
**2-8. GS3/GS4 BOARD REMOVAL (37/40 inches)**



2-9. H1PS BOARD REMOVAL



2-10. H3PS BOARD REMOVAL



2-11. LCD PANEL REMOVAL

