

SECTION 5 EXPLODED VIEWS

NOTE :

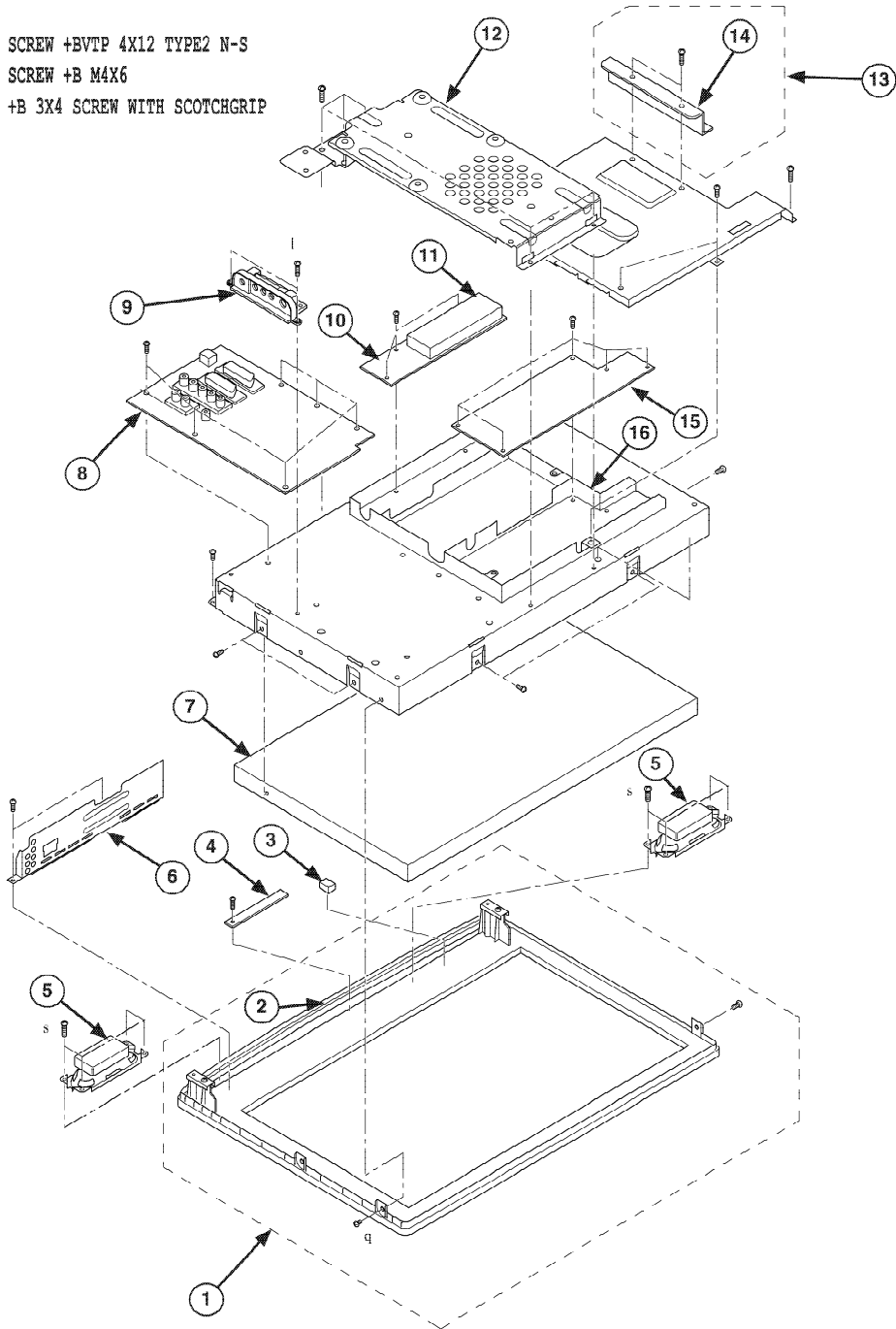
- Items with no part number and no description are not stocked because they are seldom required for routine service.
- The construction parts of an assembled part are indicated with a collation number in the remarks column.
- Items marked "*" are not stocked since they are seldom required for routine service. Some delay should be anticipated when ordering these items.

Note : Les composants identifiés par une trame et par une marque Δ sont d'une importance critique pour la sécurité. Ne les remplacer que par des pièces du numéro spécifié.

Note : The components identified by shading and marked Δ are critical for safety. Replace only with the part numbers specified in the parts list.

5-1. CHASSIS

- q 7-685-661-79 SCREW +BVTP 4X12 TYPE2 N-S
- s 2-320-331-01 SCREW +B M4X6
- l 2-588-756-01 +B 3X4 SCREW WITH SCOTCHGRIP



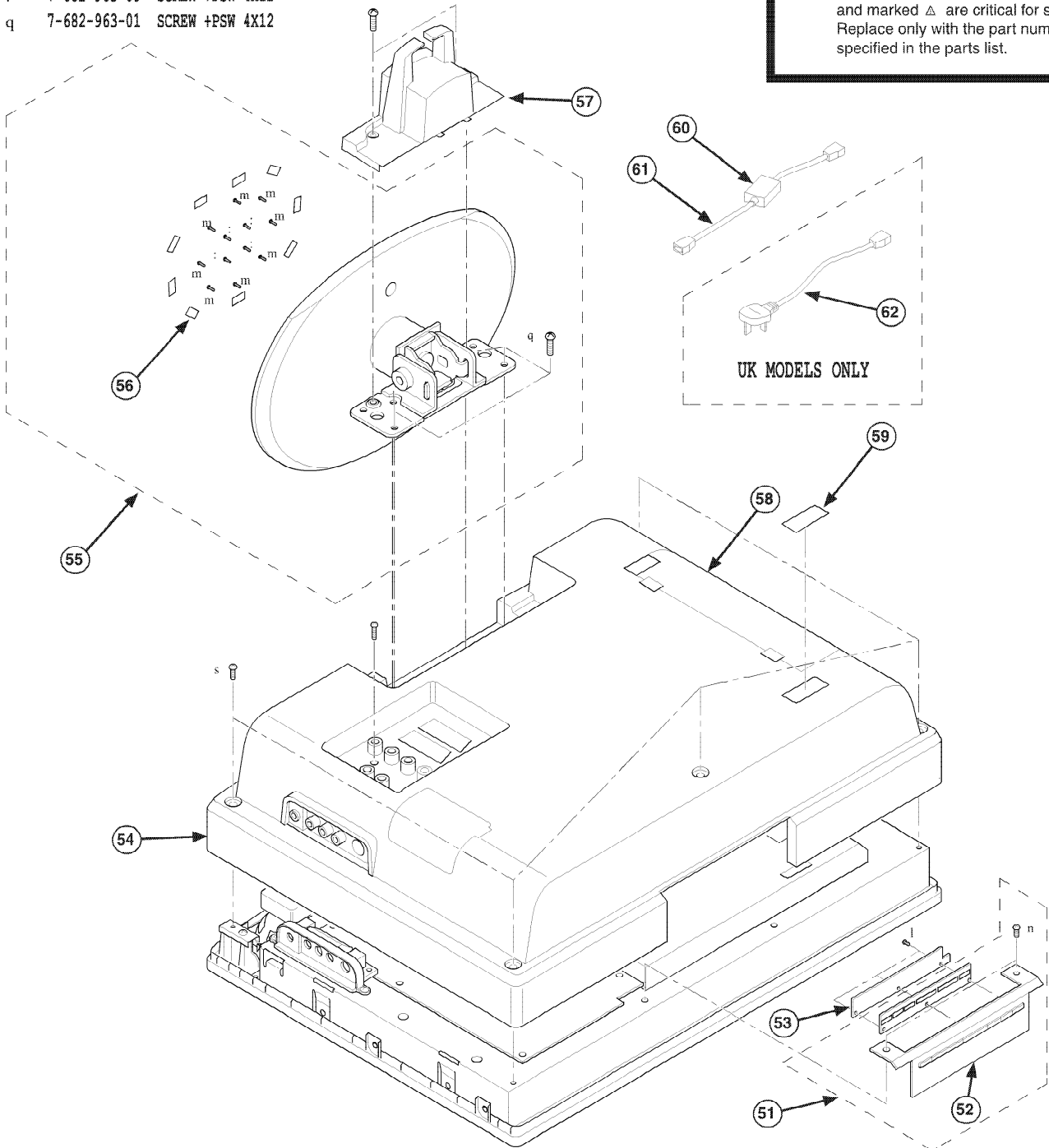
REF.NO.	PART.NO	DESCRIPTION	REMARK	REF.NO.	PART.NO	DESCRIPTION	REMARK
1	X-2059-461-1	BEZEL ASSY (19A)	2	10	*A-1115-520-A	TU BOARD, COMPLETE (KLV-S19A10E)	
2	2-515-721-21	WINDOW, 19 FRONT			*A-1115-519-A	TU BOARD, COMPLETE (KLV-S19A10U)	
3	2-515-684-01	GUIDE, LIGHT SENSOR		11	8-597-936-00	TUNER, FSS BTF-EF411Z (KLV-S19A10E)	
4	*A-1129-861-A	H3 BOARD, COMPLETE			8-597-517-00	TUNER, FRONTEND BTF-EU611Z (KLV-S19A10U)	
5	1-826-062-11	LOUDSPEAKER (4X10CM)		12	*X-2055-171-4	BRACKET, VESA ASSY	
6	*X-2055-728-1	BRKT BOTTOM ASSY (19A)		13	*X-2055-718-1	BRACKET SIDE ASSY (A A)	14
7	A-1128-522-A	PANEL, COMPLETE 19		14	*2-597-951-11	BRACKET SIDE (A)	
8	*A-1103-518-A	AIE BOARD, COMPLETE		15	*A-1128-517-C	BE BOARD, COMPLETE	
9	*2-515-692-11	HOLDER SIDE JACK		16	*2-589-406-01	S1 SHIELD MAIN (A)	

5-2. REAR COVER AND STAND

n	4-908-792-41	SCREW (B2)
l	7-685-871-01	SCREW +BVTT 3X6 (S)
s	2-320-331-01	SCREW +B M4X6
m	7-685-259-19	SCREW +KTP 4X8 TYPE2 NON-SLIT
:	7-682-963-09	SCREW +PSW 4X12
q	7-682-963-01	SCREW +PSW 4X12

Note : Les composants indentifiés par une trame et par une marque Δ sont d'une importance critique pour la sécurité. Ne les remplacer que par des pièces du numéro spécifié.

Note : The components identified by shading and marked Δ are critical for safety. Replace only with the part numbers specified in the parts list.



REF.NO.	PART.NO	DESCRIPTION	REMARK	REF.NO.	PART.NO	DESCRIPTION	REMARK
51	X-2059-757-1	BUTTON, MULTI ASSY (19A)	52	57	2-584-340-03	COVER, HINGE (19)	
52	2-515-717-21	COVER, BUTTON (19)		58	2-515-727-11	COVER, JACK (19, 23, 26)	
53	*A-1128-518-A	HIE BOARD, COMPLETE		59	X-2055-564-2	ECS COVER ASSY	
54	X-2059-465-1	CABINET REAR ASSY (19A)		60	Δ 1-479-235-14	D. C. POWER SUPPLY	
55	X-2025-222-5	STAND ASSY (S)	56	61	Δ 1-827-481-11	POWER-SUPPLY CORD (KLV-S19A10E)	
56	4-100-951-11	FOOT, STAND		62	Δ 1-827-480-11	POWER-SUPPLY CORD (KLV-S19A10U)	

SECTION 6 ELECTRICAL PARTS LIST

PARTS LISTING TABLE OF CONTENTS

	Page
A1E BOARD COMPLETE Parts List :	50
H1E BOARD COMPLETE Parts List :	61
TU BOARD COMMON Parts List : Parts common to all models listed in this manual	61
Model	Parts that belong only to the model specified
KLV-S19A10E	62
KLV-S19A10U	62
BE BOARD COMPLETE Parts List :	62
H3 BOARD COMPLETE Parts List :	69
MISCELLANEOUS :	70
ACCESSORIES AND PACKAGING MATERIALS :	70
REMOTE COMMANDER:	70

Note : Items marked “**” are not stocked since they are seldom required for routine service. Some delay should be anticipated when ordering these items.
Parts indicated (XX) on the Schematic Diagram are not used in this model and therefore do not appear in the Parts List.

REF.NO.	PART.NO	DESCRIPTION	REMARK	REF.NO.	PART.NO	DESCRIPTION	REMARK
*A-1103-518-A A1E Board, Complete							
< CAPACITOR >							
C2500	1-126-396-11	ELECT CHIP 47UF	20.00% 16V	C7802	1-127-715-91	CERAMIC CHIP 0.22UF	10% 16V
C2501	1-107-826-11	CERAMIC CHIP 0.1UF	10.00% 16V	C7803	1-127-715-91	CERAMIC CHIP 0.22UF	10% 16V
C2502	1-107-826-11	CERAMIC CHIP 0.1UF	10.00% 16V	C7804	1-124-779-00	ELECT CHIP 10UF	20.00% 16V
C2504	1-107-826-11	CERAMIC CHIP 0.1UF	10.00% 16V	C7810	1-126-204-11	ELECT CHIP 47UF	20.00% 16V
C2506	1-125-891-11	CERAMIC CHIP 0.47UF	10.00% 10V	C7812	1-107-826-11	CERAMIC CHIP 0.1UF	10.00% 16V
C2507	1-162-970-11	CERAMIC CHIP 0.01UF	10.00% 25V	C7813	1-124-779-00	ELECT CHIP 10UF	20.00% 16V
C2509	1-125-889-91	CERAMIC CHIP 2.2UF	10% 10V	C7815	1-126-396-11	ELECT CHIP 47UF	20.00% 16V
C2510	1-164-227-11	CERAMIC CHIP 0.022UF	10.00% 25V	C7817	1-164-492-11	CERAMIC CHIP 0.15UF	10.00% 16V
C2511	1-162-970-11	CERAMIC CHIP 0.01UF	10.00% 25V	C7818	1-164-004-11	CERAMIC CHIP 0.1UF	10.00% 25V
C2516	1-162-970-11	CERAMIC CHIP 0.01UF	10.00% 25V	C7819	1-162-966-11	CERAMIC CHIP 0.0022UF	10.00% 50V
C2517	1-127-715-91	CERAMIC CHIP 0.22UF	10% 16V	C7821	1-107-823-11	CERAMIC CHIP 0.47UF	10.00% 16V
C2518	1-162-915-11	CERAMIC CHIP 10PF	0.50PF 50V	C7822	1-107-823-11	CERAMIC CHIP 0.47UF	10.00% 16V
C2519	1-126-394-11	ELECT CHIP 10UF	20.00% 16V	C7823	1-124-779-00	ELECT CHIP 10UF	20.00% 16V
C2520	1-107-826-11	CERAMIC CHIP 0.1UF	10.00% 16V	C7825	1-162-906-11	CERAMIC CHIP 1.5PF	0.25PF 50V
C2521	1-162-970-11	CERAMIC CHIP 0.01UF	10.00% 25V	C7826	1-162-966-11	CERAMIC CHIP 0.0022UF	10.00% 50V
C2522	1-126-396-11	ELECT CHIP 47UF	20.00% 16V	C7827	1-162-966-11	CERAMIC CHIP 0.0022UF	10.00% 50V
C2523	1-107-826-11	CERAMIC CHIP 0.1UF	10.00% 16V	C7828	1-162-966-11	CERAMIC CHIP 0.0022UF	10.00% 50V
C2524	1-126-396-11	ELECT CHIP 47UF	20.00% 16V	C7829	1-162-966-11	CERAMIC CHIP 0.0022UF	10.00% 50V
C2526	1-107-826-11	CERAMIC CHIP 0.1UF	10.00% 16V	C7833	1-162-906-11	CERAMIC CHIP 1.5PF	0.25PF 50V
C2527	1-107-826-11	CERAMIC CHIP 0.1UF	10.00% 16V	C7834	1-162-927-11	CERAMIC CHIP 100PF	5.00% 50V
C2528	1-107-826-11	CERAMIC CHIP 0.1UF	10.00% 16V	C7835	1-162-927-11	CERAMIC CHIP 100PF	5.00% 50V
C2529	1-127-760-11	CERAMIC CHIP 4.7UF	10% 6.3V	C7836	1-162-968-11	CERAMIC CHIP 0.0047UF	10.00% 50V
C2530	1-162-970-11	CERAMIC CHIP 0.01UF	10.00% 25V	C7838	1-126-396-11	ELECT CHIP 47UF	20.00% 16V
C2531	1-126-396-11	ELECT CHIP 47UF	20.00% 16V	C7839	1-126-394-11	ELECT CHIP 10UF	20.00% 16V
C2532	1-126-396-11	ELECT CHIP 47UF	20.00% 16V	C7840	1-164-004-11	CERAMIC CHIP 0.1UF	10.00% 25V
C2533	1-162-970-11	CERAMIC CHIP 0.01UF	10.00% 25V	C7841	1-126-394-11	ELECT CHIP 10UF	20.00% 16V
C2534	1-107-826-11	CERAMIC CHIP 0.1UF	10.00% 16V	C7842	1-164-004-11	CERAMIC CHIP 0.1UF	10.00% 25V
C2535	1-126-396-11	ELECT CHIP 47UF	20.00% 16V	C7843	1-162-966-11	CERAMIC CHIP 0.0022UF	10.00% 50V
C2536	1-107-826-11	CERAMIC CHIP 0.1UF	10.00% 16V	C7844	1-162-966-11	CERAMIC CHIP 0.0022UF	10.00% 50V
C2537	1-126-396-11	ELECT CHIP 47UF	20.00% 16V	C7845	1-162-966-11	CERAMIC CHIP 0.0022UF	10.00% 50V
C2543	1-107-826-11	CERAMIC CHIP 0.1UF	10.00% 16V	C7846	1-126-394-11	ELECT CHIP 10UF	20.00% 16V
C2550	1-125-891-11	CERAMIC CHIP 0.47UF	10.00% 10V	C7847	1-126-394-11	ELECT CHIP 10UF	20.00% 16V
C2551	1-125-891-11	CERAMIC CHIP 0.47UF	10.00% 10V	C7849	1-162-928-11	CERAMIC CHIP 120PF	5.00% 50V
C2552	1-125-891-11	CERAMIC CHIP 0.47UF	10.00% 10V	C7850	1-164-004-11	CERAMIC CHIP 0.1UF	10.00% 25V
C2553	1-125-891-11	CERAMIC CHIP 0.47UF	10.00% 10V	C7851	1-125-891-11	CERAMIC CHIP 0.47UF	10.00% 10V
C2554	1-125-891-11	CERAMIC CHIP 0.47UF	10.00% 10V	C7852	1-126-396-11	ELECT CHIP 47UF	20.00% 16V
C2555	1-125-891-11	CERAMIC CHIP 0.47UF	10.00% 10V	C7853	1-164-004-11	CERAMIC CHIP 0.1UF	10.00% 25V
C2558	1-126-396-11	ELECT CHIP 47UF	20.00% 16V	C7854	1-126-394-11	ELECT CHIP 10UF	20.00% 16V
C2559	1-125-891-11	CERAMIC CHIP 0.47UF	10.00% 10V	C7855	1-127-573-11	CERAMIC CHIP 1UF	10% 16V
C2560	1-125-891-11	CERAMIC CHIP 0.47UF	10.00% 10V	C7856	1-107-826-11	CERAMIC CHIP 0.1UF	10.00% 16V
C2591	1-126-394-11	ELECT CHIP 10UF	20.00% 16V	C7857	1-127-573-11	CERAMIC CHIP 1UF	10% 16V
C2608	1-126-396-11	ELECT CHIP 47UF	20.00% 16V	C7858	1-126-394-11	ELECT CHIP 10UF	20.00% 16V
C2609	1-107-826-11	CERAMIC CHIP 0.1UF	10.00% 16V	C7859	1-127-715-91	CERAMIC CHIP 0.22UF	10% 16V
C2612	1-107-826-11	CERAMIC CHIP 0.1UF	10.00% 16V	C7860	1-127-715-91	CERAMIC CHIP 0.22UF	10% 16V
C2613	1-126-396-11	ELECT CHIP 47UF	20.00% 16V	C7861	1-126-401-21	ELECT CHIP 1UF	20.00% 50V
C7800	1-162-964-11	CERAMIC CHIP 0.001UF	10.00% 50V	C7864	1-107-826-11	CERAMIC CHIP 0.1UF	10.00% 16V
				C7865	1-107-826-11	CERAMIC CHIP 0.1UF	10.00% 16V
				C7868	1-164-492-11	CERAMIC CHIP 0.15UF	10.00% 16V
				C7869	1-100-912-11	CERAMIC CHIP 1UF	10% 25V
				C7870	1-100-912-11	CERAMIC CHIP 1UF	10% 25V

REF.NO.	PART.NO	DESCRIPTION	REMARK	REF.NO.	PART.NO	DESCRIPTION	REMARK
C7871	1-100-912-11	CERAMIC CHIP 1UF	10% 25V	C7929	1-165-908-11	CERAMIC CHIP 1UF	10% 10V
C7872	1-100-912-11	CERAMIC CHIP 1UF	10% 25V	C7930	1-165-908-11	CERAMIC CHIP 1UF	10% 10V
C7873	1-100-912-11	CERAMIC CHIP 1UF	10% 25V	C7931	1-127-715-91	CERAMIC CHIP 0.22UF	10% 16V
C7874	1-128-528-11	ELECT 470UF	20% 25V	C7932	1-127-715-91	CERAMIC CHIP 0.22UF	10% 16V
C7875	1-128-536-11	ELECT CHIP 100UF	20.00% 25V	C7933	1-127-715-91	CERAMIC CHIP 0.22UF	10% 16V
C7876	1-126-394-11	ELECT CHIP 10UF	20.00% 16V	C7934	1-127-715-91	CERAMIC CHIP 0.22UF	10% 16V
C7877	1-107-826-11	CERAMIC CHIP 0.1UF	10.00% 16V	C8405	1-127-861-11	CERAMIC CHIP 2.2UF	10% 16V
C7878	1-124-779-00	ELECT CHIP 10UF	20.00% 16V	C8426	1-107-826-11	CERAMIC CHIP 0.1UF	10.00% 16V
C7879	1-162-919-11	CERAMIC CHIP 22PF	5.00% 50V	C8427	1-107-905-11	ELECT 4.7UF	20% 50V
C7880	1-162-919-11	CERAMIC CHIP 22PF	5.00% 50V	C8429	1-126-396-11	ELECT CHIP 47UF	20.00% 16V
C7881	1-115-340-11	CERAMIC CHIP 0.22UF	10.00% 25V	C8430	1-100-566-91	CERAMIC CHIP 0.1UF	10.00% 25V
C7882	1-115-340-11	CERAMIC CHIP 0.22UF	10.00% 25V	C8431	1-163-037-11	CERAMIC CHIP 0.022UF	10.00% 50V
C7883	1-162-970-11	CERAMIC CHIP 0.01UF	10.00% 25V	C8432	1-126-402-11	ELECT CHIP 2.2UF	20.00% 50V
C7884	1-162-970-11	CERAMIC CHIP 0.01UF	10.00% 25V	C8433	1-126-404-11	ELECT CHIP 4.7UF	20.00% 50V
C7885	1-128-536-11	ELECT CHIP 100UF	20.00% 25V	C8501	1-104-665-11	ELECT 100UF	20.00% 25V
C7886	1-100-912-11	CERAMIC CHIP 1UF	10% 25V	C8502	1-115-339-11	CERAMIC CHIP 0.1UF	10.00% 50V
C7887	1-100-912-11	CERAMIC CHIP 1UF	10% 25V	C8503	1-107-889-11	ELECT 220UF	20% 25V
C7888	1-162-970-11	CERAMIC CHIP 0.01UF	10.00% 25V	C8504	1-128-528-11	ELECT 470UF	20% 25V
C7889	1-162-970-11	CERAMIC CHIP 0.01UF	10.00% 25V	C8505	1-128-942-31	ELECT 1000UF	20% 6.3V
C7890	1-128-536-11	ELECT CHIP 100UF	20.00% 25V	C8508	1-115-339-11	CERAMIC CHIP 0.1UF	10.00% 50V
C7891	1-100-912-11	CERAMIC CHIP 1UF	10% 25V	C8509	1-162-970-11	CERAMIC CHIP 0.01UF	10.00% 25V
C7892	1-100-912-11	CERAMIC CHIP 1UF	10% 25V	C8510	1-165-728-31	ELECT 330UF	20% 16V
C7893	1-115-340-11	CERAMIC CHIP 0.22UF	10.00% 25V	C8512	1-107-826-11	CERAMIC CHIP 0.1UF	10.00% 16V
C7894	1-115-340-11	CERAMIC CHIP 0.22UF	10.00% 25V	C8514	1-126-933-11	ELECT 100UF	20.00% 16V
C7895	1-126-396-11	ELECT CHIP 47UF	20.00% 16V	C8518	1-127-573-11	CERAMIC CHIP 1UF	10% 16V
C7896	1-126-396-11	ELECT CHIP 47UF	20.00% 16V	C8519	1-107-826-11	CERAMIC CHIP 0.1UF	10.00% 16V
C7897	1-128-536-11	ELECT CHIP 100UF	20.00% 25V	C8520	1-127-573-11	CERAMIC CHIP 1UF	10% 16V
C7898	1-162-970-11	CERAMIC CHIP 0.01UF	10.00% 25V	C8522	1-117-681-11	ELECT CHIP 100UF	20.00% 16V
C7899	1-162-970-11	CERAMIC CHIP 0.01UF	10.00% 25V	C8523	1-100-566-91	CERAMIC CHIP 0.1UF	10.00% 25V
C7900	1-100-912-11	CERAMIC CHIP 1UF	10% 25V	C8525	1-110-530-11	ELECT CHIP 1000UF	20% 6.3V
C7901	1-100-912-11	CERAMIC CHIP 1UF	10% 25V	C8526	1-162-970-11	CERAMIC CHIP 0.01UF	10.00% 25V
C7902	1-100-597-91	CERAMIC CHIP 0.1UF	10% 25V	C8527	1-115-339-11	CERAMIC CHIP 0.1UF	10.00% 50V
C7903	1-128-536-11	ELECT CHIP 100UF	20.00% 25V	C8528	1-126-941-11	ELECT 470UF	20.00% 25V
C7904	1-100-597-91	CERAMIC CHIP 0.1UF	10% 25V	C8529	1-115-339-11	CERAMIC CHIP 0.1UF	10.00% 50V
C7905	1-164-230-11	CERAMIC CHIP 220PF	5.00% 50V	C8558	1-162-970-11	CERAMIC CHIP 0.01UF	10.00% 25V
C7906	1-128-536-11	ELECT CHIP 100UF	20.00% 25V	C8560	1-162-970-11	CERAMIC CHIP 0.01UF	10.00% 25V
C7907	1-162-970-11	CERAMIC CHIP 0.01UF	10.00% 25V	C8561	1-100-566-91	CERAMIC CHIP 0.1UF	10.00% 25V
C7908	1-162-970-11	CERAMIC CHIP 0.01UF	10.00% 25V	C8562	1-110-530-11	ELECT CHIP 1000UF	20% 6.3V
C7909	1-115-340-11	CERAMIC CHIP 0.22UF	10.00% 25V	C8572	1-104-665-11	ELECT 100UF	20.00% 25V
C7912	1-115-340-11	CERAMIC CHIP 0.22UF	10.00% 25V	C8573	1-126-941-11	ELECT 470UF	20.00% 25V
C7913	1-100-591-91	CERAMIC CHIP 1UF	10% 25V	C8576	1-107-826-11	CERAMIC CHIP 0.1UF	10.00% 16V
C7914	1-100-591-91	CERAMIC CHIP 1UF	10% 25V	C8577	1-107-889-11	ELECT 220UF	20% 25V
C7917	1-164-230-11	CERAMIC CHIP 220PF	5.00% 50V	C8578	1-115-339-11	CERAMIC CHIP 0.1UF	10.00% 50V
C7918	1-164-230-11	CERAMIC CHIP 220PF	5.00% 50V	C8579	1-115-339-11	CERAMIC CHIP 0.1UF	10.00% 50V
C7919	1-164-230-11	CERAMIC CHIP 220PF	5.00% 50V	C8580	1-162-970-11	CERAMIC CHIP 0.01UF	10.00% 25V
C7920	1-164-230-11	CERAMIC CHIP 220PF	5.00% 50V	C8581	1-100-566-91	CERAMIC CHIP 0.1UF	10.00% 25V
C7921	1-100-591-91	CERAMIC CHIP 1UF	10% 25V	C8582	1-165-728-31	ELECT 330UF	20% 16V
C7922	1-107-826-11	CERAMIC CHIP 0.1UF	10.00% 16V	C8583	1-165-728-31	ELECT 330UF	20% 16V
C7927	1-162-964-11	CERAMIC CHIP 0.001UF	10.00% 50V	C8586	1-107-826-11	CERAMIC CHIP 0.1UF	10.00% 16V
C7928	1-162-964-11	CERAMIC CHIP 0.001UF	10.00% 50V	C8587	1-162-970-11	CERAMIC CHIP 0.01UF	10.00% 25V

REF.NO.	PART.NO	DESCRIPTION	REMARK	REF.NO.	PART.NO	DESCRIPTION	REMARK
C8588	1-126-941-11	ELECT 470UF	20.00% 25V	C9602	1-127-715-91	CERAMIC CHIP 0.22UF	10% 16V
C8589	1-165-728-31	ELECT 330UF	20% 16V	C9603	1-124-779-00	ELECT CHIP 10UF	20.00% 16V
C8590	1-107-889-11	ELECT 220UF	20% 25V	C9605	1-127-715-91	CERAMIC CHIP 0.22UF	10% 16V
C8700	1-126-396-11	ELECT CHIP 47UF	20.00% 16V	C9615	1-127-861-11	CERAMIC CHIP 2.2UF	10% 16V
C8861	1-165-908-11	CERAMIC CHIP 1UF	10% 10V	C9616	1-125-889-91	CERAMIC CHIP 2.2UF	10% 10V
C9041	1-125-891-11	CERAMIC CHIP 0.47UF	10.00% 10V	C9617	1-127-861-11	CERAMIC CHIP 2.2UF	10% 16V
C9048	1-164-505-11	CERAMIC CHIP 2.2UF	16V	C9620	1-127-715-91	CERAMIC CHIP 0.22UF	10% 16V
C9049	1-164-505-11	CERAMIC CHIP 2.2UF	16V	C9621	1-127-715-91	CERAMIC CHIP 0.22UF	10% 16V
C9050	1-164-505-11	CERAMIC CHIP 2.2UF	16V	C9622	1-127-715-91	CERAMIC CHIP 0.22UF	10% 16V
C9077	1-162-964-11	CERAMIC CHIP 0.001UF	10.00% 50V	C9623	1-127-715-91	CERAMIC CHIP 0.22UF	10% 16V
C9078	1-165-908-11	CERAMIC CHIP 1UF	10% 10V	C9634	1-128-536-11	ELECT CHIP 100UF	20.00% 25V
C9079	1-162-964-11	CERAMIC CHIP 0.001UF	10.00% 50V	C9641	1-125-889-91	CERAMIC CHIP 2.2UF	10% 10V
C9080	1-165-908-11	CERAMIC CHIP 1UF	10% 10V	C9651	1-127-715-91	CERAMIC CHIP 0.22UF	10% 16V
C9500	1-162-962-11	CERAMIC CHIP 470PF	10.00% 50V	C9652	1-127-715-91	CERAMIC CHIP 0.22UF	10% 16V
C9502	1-162-962-11	CERAMIC CHIP 470PF	10.00% 50V	C9653	1-127-715-91	CERAMIC CHIP 0.22UF	10% 16V
C9504	1-162-962-11	CERAMIC CHIP 470PF	10.00% 50V	C9851	1-162-970-11	CERAMIC CHIP 0.01UF	10.00% 25V
C9506	1-162-962-11	CERAMIC CHIP 470PF	10.00% 50V	C9853	1-162-970-11	CERAMIC CHIP 0.01UF	10.00% 25V
C9512	1-164-227-11	CERAMIC CHIP 0.022UF	10.00% 25V	C9857	1-162-970-11	CERAMIC CHIP 0.01UF	10.00% 25V
C9513	1-162-964-11	CERAMIC CHIP 0.001UF	10.00% 50V	C9858	1-127-760-11	CERAMIC CHIP 4.7UF	10% 6.3V
C9514	1-164-227-11	CERAMIC CHIP 0.022UF	10.00% 25V	C9859	1-162-970-11	CERAMIC CHIP 0.01UF	10.00% 25V
C9515	1-162-964-11	CERAMIC CHIP 0.001UF	10.00% 50V	< CONNECTOR >			
C9520	1-128-992-21	ELECT CHIP 47UF	20% 25V	CN7802	*1-764-250-11	PIN, CONNECTOR (PC BOARD) 4P	
C9521	1-164-227-11	CERAMIC CHIP 0.022UF	10.00% 25V	CN8530	*1-819-390-21	FFC/FPC CONNECTOR (ZIF) 49P	
C9522	1-162-964-11	CERAMIC CHIP 0.001UF	10.00% 50V	CN9405	1-794-032-21	PIN, CONNECTOR (PC BOARD) 11P	
C9523	1-164-227-11	CERAMIC CHIP 0.022UF	10.00% 25V	CN9500	1-695-549-11	SOCKET, PIN 21P	
C9524	1-162-964-11	CERAMIC CHIP 0.001UF	10.00% 50V	CN9501	1-695-549-11	SOCKET, PIN 21P	
C9539	1-128-992-21	ELECT CHIP 47UF	20% 25V	CN9505	1-764-087-21	PIN, CONNECTOR (PC BOARD) 14P	
C9540	1-128-992-21	ELECT CHIP 47UF	20% 25V	CN9506	*1-817-097-21	PIN, CONNECTOR (1.5MM) (SMD) 13P	
C9541	1-162-970-11	CERAMIC CHIP 0.01UF	10.00% 25V	< DIODE >			
C9542	1-128-992-21	ELECT CHIP 47UF	20% 25V	D2501	8-719-081-97	DIODE MMDL914T1	
C9543	1-128-992-21	ELECT CHIP 47UF	20% 25V	D2502	8-719-081-97	DIODE MMDL914T1	
C9559	1-125-889-91	CERAMIC CHIP 2.2UF	10% 10V	D2503	8-719-081-97	DIODE MMDL914T1	
C9560	1-125-889-91	CERAMIC CHIP 2.2UF	10% 10V	D6013	8-719-081-98	DIODE MM3Z6V8T1	
C9561	1-125-891-11	CERAMIC CHIP 0.47UF	10.00% 10V	D6015	8-719-081-97	DIODE MMDL914T1	
C9563	1-127-715-91	CERAMIC CHIP 0.22UF	10% 16V	D6016	8-719-081-97	DIODE MMDL914T1	
C9565	1-127-861-11	CERAMIC CHIP 2.2UF	10% 16V	D6017	8-719-081-97	DIODE MMDL914T1	
C9567	1-127-861-11	CERAMIC CHIP 2.2UF	10% 16V	D7800	8-719-081-97	DIODE MMDL914T1	
C9570	1-117-681-11	ELECT CHIP 100UF	20.00% 16V	D7801	8-719-977-28	DIODE DTZ10B	
C9581	1-127-861-11	CERAMIC CHIP 2.2UF	10% 16V	D7802	8-719-977-28	DIODE DTZ10B	
C9583	1-127-861-11	CERAMIC CHIP 2.2UF	10% 16V	D7804	8-719-081-97	DIODE MMDL914T1	
C9586	1-127-861-11	CERAMIC CHIP 2.2UF	10% 16V	D7807	8-719-069-60	DIODE UDZSTE-179.1B	
C9587	1-127-715-91	CERAMIC CHIP 0.22UF	10% 16V	D7808	8-719-081-97	DIODE MMDL914T1	
C9588	1-127-715-91	CERAMIC CHIP 0.22UF	10% 16V	D7809	8-719-081-97	DIODE MMDL914T1	
C9593	1-127-861-11	CERAMIC CHIP 2.2UF	10% 16V	D7810	8-719-081-97	DIODE MMDL914T1	
C9594	1-125-889-91	CERAMIC CHIP 2.2UF	10% 10V	D7811	8-719-081-97	DIODE MMDL914T1	
C9596	1-127-861-11	CERAMIC CHIP 2.2UF	10% 16V	D7850	8-719-081-97	DIODE MMDL914T1	
C9597	1-127-861-11	CERAMIC CHIP 2.2UF	10% 16V	D7860	8-719-081-97	DIODE MMDL914T1	
C9598	1-125-889-91	CERAMIC CHIP 2.2UF	10% 10V	D7861	8-719-081-97	DIODE MMDL914T1	
C9600	1-127-715-91	CERAMIC CHIP 0.22UF	10% 16V				
C9601	1-127-715-91	CERAMIC CHIP 0.22UF	10% 16V				

Note : The components identified by shading and marked Δ are critical for safety. Replace only with the part numbers specified in the parts list.

A1E

REF.NO.	PART.NO	DESCRIPTION	REMARK	REF.NO.	PART.NO	DESCRIPTION	REMARK
D7862	8-719-081-97	DIODE MMDL914T1		D9602	8-719-081-98	DIODE MM3Z6V8T1	
D7864	8-719-081-97	DIODE MMDL914T1		D9603	8-719-081-98	DIODE MM3Z6V8T1	
D7889	8-719-081-97	DIODE MMDL914T1		D9604	8-719-081-97	DIODE MMDL914T1	
D7890	8-719-081-97	DIODE MMDL914T1		D9605	8-719-081-97	DIODE MMDL914T1	
D8412	6-500-551-01	DIODE MM3Z11VT1		D9606	8-719-081-97	DIODE MMDL914T1	
D8414	8-719-056-82	DIODE Udz-TE-17-6.2B		< FUSE >			
D8500	8-719-069-55	DIODE UdzSTE-175.6B		F8601	Δ 1-576-332-32	FUSE	10A 250V
D8501	8-719-073-34	DIODE EC21QS03L-TE12L		F8602	Δ 1-576-332-32	FUSE	10A 250V
D8502	8-719-073-34	DIODE EC21QS03L-TE12L		FH8602	Δ 1-533-725-11	FUSE HOLDER	
D8503	8-719-073-34	DIODE EC21QS03L-TE12L		FH8605	Δ 1-533-725-11	FUSE HOLDER	
D8506	8-719-036-94	DIODE RD5.6SB-T1		< FERRITE BEAD >			
D8507	8-719-073-34	DIODE EC21QS03L-TE12L		FB7800	1-414-760-21	FERRITE	Ouh
D8509	8-719-073-34	DIODE EC21QS03L-TE12L		FB7801	1-414-760-21	FERRITE	Ouh
D8510	8-719-073-34	DIODE EC21QS03L-TE12L		FB7802	1-500-230-21	FERRITE	Ouh
D8514	8-719-073-34	DIODE EC21QS03L-TE12L		FB7803	1-500-230-21	FERRITE	Ouh
D8515	8-719-073-34	DIODE EC21QS03L-TE12L		FB7804	1-500-230-21	FERRITE	Ouh
D8560	8-719-056-82	DIODE Udz-TE-17-6.2B		FB7805	1-500-230-21	FERRITE	Ouh
D8568	8-719-049-38	DIODE 1N5404TU		FB7806	1-500-230-21	FERRITE	Ouh
D8570	8-719-056-82	DIODE Udz-TE-17-6.2B		FB7807	1-500-230-21	FERRITE	Ouh
D8571	6-500-551-01	DIODE MM3Z11VT1		FB7808	1-500-230-21	FERRITE	Ouh
D8572	6-500-551-01	DIODE MM3Z11VT1		FB7809	1-500-230-21	FERRITE	Ouh
D8575	8-719-081-99	DIODE MM3Z13VT1		FB8501	1-469-775-21	FERRITE	Ouh
D9035	8-719-977-28	DIODE DTZ10B		FB8552	1-469-775-21	FERRITE	Ouh
D9036	8-719-977-28	DIODE DTZ10B		FB8553	1-469-775-21	FERRITE	Ouh
D9037	8-719-977-28	DIODE DTZ10B		FB8554	1-469-775-21	FERRITE	Ouh
D9038	8-719-977-28	DIODE DTZ10B		FB9502	1-414-445-11	FERRITE	Ouh
D9058	8-719-977-28	DIODE DTZ10B		FB9503	1-414-445-11	FERRITE	Ouh
D9059	8-719-977-28	DIODE DTZ10B		FB9504	1-414-445-11	FERRITE	Ouh
D9500	8-719-069-60	DIODE UdzSTE-179.1B		< FILTER >			
D9501	8-719-083-63	DIODE UdzSTE-1713B		FL2500	1-233-765-21	FILTER	
D9502	8-719-069-55	DIODE UdzSTE-175.6B		< IC >			
D9503	8-719-069-60	DIODE UdzSTE-179.1B		IC2500	6-706-475-01	IC TC7SET02FU(T5RSOJF)	
D9504	8-719-069-55	DIODE UdzSTE-175.6B		IC2501	8-753-212-10	IC CXA2163AQ-T6	
D9505	8-719-069-60	DIODE UdzSTE-179.1B		IC2504	6-704-465-01	IC MC74LVX8053DTR2	
D9506	8-719-069-55	DIODE UdzSTE-175.6B		IC2506	6-704-465-01	IC MC74LVX8053DTR2	
D9507	8-719-069-60	DIODE UdzSTE-179.1B		IC2507	8-759-524-24	IC TC7WT241FU(TE12R)	
D9508	8-719-083-63	DIODE UdzSTE-1713B		IC7803	6-705-679-01	IC RC4558PWR	
D9509	8-719-069-55	DIODE UdzSTE-175.6B		IC7804	6-708-261-01	IC MSP4411K-QA-D5-001	
D9510	8-719-069-55	DIODE UdzSTE-175.6B		IC7806	6-705-679-01	IC RC4558PWR	
D9511	8-719-069-60	DIODE UdzSTE-179.1B		IC7808	8-759-359-49	IC NJM3414AV(TE2)	
D9512	8-719-069-55	DIODE UdzSTE-175.6B		IC7809	6-707-708-01	IC TPA3004D2PHPR	
D9513	8-719-069-60	DIODE UdzSTE-179.1B		IC8400	8-759-159-44	IC PST575IMT-T1	
D9514	8-719-069-55	DIODE UdzSTE-175.6B		IC8401	8-749-925-00	IC TK11819MTL	
D9549	8-719-977-28	DIODE DTZ10B		IC8500	8-752-072-94	IC CXA1875AM-T4	
D9550	8-719-977-28	DIODE DTZ10B		IC8501	6-706-191-01	IC BD9701FP-E2	
D9551	8-719-977-28	DIODE DTZ10B		IC8502	6-704-407-01	IC PQ1CZ41H2ZPH	
D9552	8-719-056-82	DIODE Udz-TE-17-6.2B					
D9553	6-500-551-01	DIODE MM3Z11VT1					
D9555	8-719-081-97	DIODE MMDL914T1					
D9601	8-719-081-98	DIODE MM3Z6V8T1					

Note : The components identified by shading and marked Δ are critical for safety. Replace only with the part numbers specified in the parts list.

A1E

REF.NO.	PART.NO	DESCRIPTION	REMARK	REF.NO.	PART.NO	DESCRIPTION	REMARK
IC8503	8-752-072-94	IC CXA1875AM-T4		L9500	1-412-029-11	INDUCTOR	10UH
IC8504	6-705-468-01	IC BA33BC0FP-E2		L9502	1-412-060-11	INDUCTOR	22UH
IC8505	6-704-407-01	IC PQ1CZ41H2ZPH		L9510	1-412-060-11	INDUCTOR	22UH
IC8552	6-702-142-01	IC PQ1CY1032ZP		L9511	1-412-058-11	INDUCTOR	10UH
IC8553	6-704-407-01	IC PQ1CZ41H2ZPH		< PROTECTOR MODULE >			
IC8554	6-702-142-01	IC PQ1CY1032ZP		PS7800 Δ	1-533-595-42	IC LINK	3.15A 90V
IC9500	8-752-089-33	IC CXA2069Q-TL		PS8401 Δ	1-576-646-11	FUSE	0.5A 50V
< SOCKET >				PS8501 Δ	1-533-595-42	IC LINK	3.15A 90V
J7800	1-507-792-00	JACK		PS8502 Δ	1-533-595-42	IC LINK	3.15A 90V
J7801	1-793-725-11	JACK BLOCK, PIN 2P		< TRANSISTOR >			
J8601	1-793-890-11	JACK, DC		Q2501	8-729-010-05	TRANSISTOR MSB709-RT1	
J9006	1-780-244-11	TERMINAL BLOCK, S(RIGHT ANGLE)		Q2502	8-729-010-05	TRANSISTOR MSB709-RT1	
J9153	1-815-015-11	JACK BLOCK, PIN		Q2503	8-729-010-05	TRANSISTOR MSB709-RT1	
J9852	1-568-267-11	JACK		Q2504	8-729-010-05	TRANSISTOR MSB709-RT1	
< COIL >				Q2505	8-729-010-29	TRANSISTOR MSD601-RST1	
L2500	1-412-058-11	INDUCTOR	10UH	Q2506	8-729-029-00	TRANSISTOR DTC115EUA-T106	
L2504	1-412-029-11	INDUCTOR	10UH	Q2508	8-729-029-00	TRANSISTOR DTC115EUA-T106	
L2506	1-412-058-11	INDUCTOR	10UH	Q2509	8-729-010-29	TRANSISTOR MSD601-RST1	
L2507	1-412-029-11	INDUCTOR	10UH	Q2510	8-729-010-29	TRANSISTOR MSD601-RST1	
L2508	1-412-029-11	INDUCTOR	10UH	Q2511	8-729-122-63	TRANSISTOR 2SA1226-E4	
L2509	1-412-058-11	INDUCTOR	10UH	Q2512	8-729-122-63	TRANSISTOR 2SA1226-E4	
L2510	1-412-029-11	INDUCTOR	10UH	Q2513	8-729-010-29	TRANSISTOR MSD601-RST1	
L2511	1-412-029-11	INDUCTOR	10UH	Q2514	8-729-010-29	TRANSISTOR MSD601-RST1	
L2513	1-412-058-11	INDUCTOR	10UH	Q2515	8-729-122-63	TRANSISTOR 2SA1226-E4	
L7803	1-412-058-11	INDUCTOR	10UH	Q6008	6-550-549-01	TRANSISTOR DTC114EUAF106	
L7805	1-412-990-41	INDUCTOR	8.2UH	Q6010	6-550-549-01	TRANSISTOR DTC114EUAF106	
L7806	1-412-058-11	INDUCTOR	10UH	Q7801	8-729-010-29	TRANSISTOR MSD601-RST1	
L7807	1-412-058-11	INDUCTOR	10UH	Q7802	8-729-010-29	TRANSISTOR MSD601-RST1	
L7809	1-406-663-21	INDUCTOR	47UH	Q7804	8-729-010-29	TRANSISTOR MSD601-RST1	
L7810	1-400-472-11	INDUCTOR	33UH	Q7805	8-729-010-29	TRANSISTOR MSD601-RST1	
L7811	1-400-472-11	INDUCTOR	33UH	Q7806	8-729-010-29	TRANSISTOR MSD601-RST1	
L7812	1-400-472-11	INDUCTOR	33UH	Q7808	8-729-905-35	TRANSISTOR 2SC4081-R	
L7813	1-400-472-11	INDUCTOR	33UH	Q7809	6-550-076-01	TRANSISTOR MUN5213T1	
L8401	1-469-528-91	INDUCTOR	100UH	Q7810	8-729-010-29	TRANSISTOR MSD601-RST1	
L8402	1-412-550-11	INDUCTOR	1.2MH	Q7811	8-729-010-05	TRANSISTOR MSB709-RT1	
L8500	1-412-058-11	INDUCTOR	10UH	Q7812	8-729-920-21	TRANSISTOR DTC314TK-T-146	
L8501	1-406-659-11	INDUCTOR	10UH	Q7813	8-729-920-21	TRANSISTOR DTC314TK-T-146	
L8502	1-456-786-21	INDUCTOR	47UH	Q7814	6-550-076-01	TRANSISTOR MUN5213T1	
L8504	1-456-786-21	INDUCTOR	47UH	Q7815	6-550-585-01	TRANSISTOR 2PC4081R-115	
L8505	1-424-916-21	INDUCTOR	10UH	Q7816	6-550-076-01	TRANSISTOR MUN5213T1	
L8506	1-406-659-11	INDUCTOR	10UH	Q7817	8-729-905-35	TRANSISTOR 2SC4081-R	
L8507	1-456-786-21	INDUCTOR	47UH	Q7818	8-729-026-53	TRANSISTOR 2SA1576A-T106-QR	
L8508	1-424-976-21	INDUCTOR	47UH	Q7820	8-729-010-29	TRANSISTOR MSD601-RST1	
L8509	1-456-786-21	INDUCTOR	47UH	Q7821	8-729-010-29	TRANSISTOR MSD601-RST1	
L8510	1-456-786-21	INDUCTOR	47UH	Q7822	8-729-010-29	TRANSISTOR MSD601-RST1	
L8553	1-424-976-21	INDUCTOR	47UH	Q7823	8-729-026-53	TRANSISTOR 2SA1576A-T106-QR	
L8700	1-412-029-11	INDUCTOR	10UH	Q7824	8-729-026-53	TRANSISTOR 2SA1576A-T106-QR	
				Q7825	8-729-026-53	TRANSISTOR 2SA1576A-T106-QR	

REF.NO.	PART.NO	DESCRIPTION	REMARK	REF.NO.	PART.NO	DESCRIPTION	REMARK
Q7826	8-729-026-53	TRANSISTOR 2SA1576A-T106-QR		R2524	1-218-867-11	METAL CHIP	6.8K 0.5% 1/10W
Q7827	8-729-905-35	TRANSISTOR 2SC4081-R		R2528	1-216-864-11	SHORT CHIP	0
Q7829	8-729-010-05	TRANSISTOR MSB709-RT1		R2529	1-216-864-11	SHORT CHIP	0
Q7830	8-729-010-05	TRANSISTOR MSB709-RT1		R2530	1-216-820-11	METAL CHIP	820 5% 1/10W
Q7831	8-729-010-05	TRANSISTOR MSB709-RT1		R2531	1-216-818-11	METAL CHIP	560 5% 1/10W
Q7832	8-729-010-05	TRANSISTOR MSB709-RT1		R2534	1-216-864-11	SHORT CHIP	0
Q7833	8-729-010-05	TRANSISTOR MSB709-RT1		R2535	1-216-809-11	METAL CHIP	100 5% 1/10W
Q7834	8-729-010-05	TRANSISTOR MSB709-RT1		R2537	1-216-809-11	METAL CHIP	100 5% 1/10W
Q8403	8-729-026-53	TRANSISTOR 2SA1576A-T106-QR		R2538	1-216-809-11	METAL CHIP	100 5% 1/10W
Q8404	8-729-905-35	TRANSISTOR 2SC4081-R		R2539	1-216-809-11	METAL CHIP	100 5% 1/10W
Q8502	8-729-054-36	TRANSISTOR UPA1716G-E2		R2540	1-216-809-11	METAL CHIP	100 5% 1/10W
Q8503	6-550-549-01	TRANSISTOR DTC114EUAF1106		R2542	1-216-809-11	METAL CHIP	100 5% 1/10W
Q8505	8-729-905-35	TRANSISTOR 2SC4081-R		R2544	1-216-830-11	METAL CHIP	5.6K 5% 1/10W
Q8506	8-729-028-73	TRANSISTOR DTA114EUA-T106		R2545	1-216-817-11	METAL CHIP	470 5% 1/10W
Q8510	8-729-046-04	TRANSISTOR FDS6690A		R2546	1-216-825-11	METAL CHIP	2.2K 5% 1/10W
Q8511	8-729-046-04	TRANSISTOR FDS6690A		R2547	1-216-825-11	METAL CHIP	2.2K 5% 1/10W
Q8555	6-550-549-01	TRANSISTOR DTC114EUAF1106		R2548	1-216-811-11	METAL CHIP	150 5% 1/10W
Q8556	8-729-422-33	TRANSISTOR 2SD601A-Q-TX		R2549	1-211-985-11	METAL CHIP	47 0.5% 1/10W
Q8557	8-729-422-33	TRANSISTOR 2SD601A-Q-TX		R2556	1-216-833-11	METAL CHIP	10K 5% 1/10W
Q8558	6-550-549-01	TRANSISTOR DTC114EUAF1106		R2558	1-216-864-11	SHORT CHIP	0
Q9500	8-729-010-29	TRANSISTOR MSD601-RST1		R2559	1-216-864-11	SHORT CHIP	0
Q9510	8-729-927-99	TRANSISTOR 2SC4617R		R2560	1-216-864-11	SHORT CHIP	0
Q9511	8-729-927-99	TRANSISTOR 2SC4617R		R2561	1-216-864-11	SHORT CHIP	0
Q9512	8-729-120-28	TRANSISTOR 2SC1623-L5L6		R2562	1-216-833-11	METAL CHIP	10K 5% 1/10W
Q9514	8-729-120-28	TRANSISTOR 2SC1623-L5L6		R2563	1-216-833-11	METAL CHIP	10K 5% 1/10W
Q9515	8-729-120-28	TRANSISTOR 2SC1623-L5L6		R2564	1-216-833-11	METAL CHIP	10K 5% 1/10W
Q9518	8-729-905-35	TRANSISTOR 2SC4081-R		R2565	1-216-833-11	METAL CHIP	10K 5% 1/10W
Q9519	6-550-549-01	TRANSISTOR DTC114EUAF1106		R2566	1-216-833-11	METAL CHIP	10K 5% 1/10W
Q9601	8-729-010-29	TRANSISTOR MSD601-RST1		R2567	1-216-864-11	SHORT CHIP	0
		< RESISTOR >		R2568	1-216-864-11	SHORT CHIP	0
R2500	1-216-864-11	SHORT CHIP	0	R2569	1-216-864-11	SHORT CHIP	0
R2501	1-216-809-11	METAL CHIP	100 5% 1/10W	R2571	1-216-864-11	SHORT CHIP	0
R2502	1-216-809-11	METAL CHIP	100 5% 1/10W	R2573	1-216-829-11	METAL CHIP	4.7K 5% 1/10W
R2503	1-216-821-11	METAL CHIP	1K 5% 1/10W	R2574	1-216-833-11	METAL CHIP	10K 5% 1/10W
R2506	1-216-838-11	METAL CHIP	27K 5% 1/10W	R2575	1-216-864-11	SHORT CHIP	0
R2507	1-216-864-11	SHORT CHIP	0	R2576	1-216-864-11	SHORT CHIP	0
R2508	1-216-828-11	METAL CHIP	3.9K 5% 1/10W	R2577	1-216-864-11	SHORT CHIP	0
R2511	1-216-833-11	METAL CHIP	10K 5% 1/10W	R2578	1-216-833-11	METAL CHIP	10K 5% 1/10W
R2512	1-216-833-11	METAL CHIP	10K 5% 1/10W	R2579	1-216-833-11	METAL CHIP	10K 5% 1/10W
R2513	1-216-833-11	METAL CHIP	10K 5% 1/10W	R2580	1-216-833-11	METAL CHIP	10K 5% 1/10W
R2514	1-216-864-11	SHORT CHIP	0	R2581	1-216-833-11	METAL CHIP	10K 5% 1/10W
R2515	1-216-817-11	METAL CHIP	470 5% 1/10W	R2582	1-216-833-11	METAL CHIP	10K 5% 1/10W
R2517	1-216-821-11	METAL CHIP	1K 5% 1/10W	R2583	1-216-833-11	METAL CHIP	10K 5% 1/10W
R2518	1-216-864-11	SHORT CHIP	0	R2584	1-216-864-11	SHORT CHIP	0
R2519	1-216-864-11	SHORT CHIP	0	R2586	1-216-833-11	METAL CHIP	10K 5% 1/10W
R2520	1-216-864-11	SHORT CHIP	0	R2587	1-216-864-11	SHORT CHIP	0
R2521	1-216-864-11	SHORT CHIP	0	R2588	1-216-864-11	SHORT CHIP	0
R2522	1-218-867-11	METAL CHIP	6.8K 0.5% 1/10W	R2589	1-216-829-11	METAL CHIP	4.7K 5% 1/10W
R2523	1-216-864-11	SHORT CHIP	0	R2590	1-216-829-11	METAL CHIP	4.7K 5% 1/10W
				R2591	1-216-809-11	METAL CHIP	100 5% 1/10W

REF.NO.	PART.NO	DESCRIPTION	REMARK	REF.NO.	PART.NO	DESCRIPTION	REMARK
R2592	1-216-833-11	METAL CHIP	10K 5% 1/10W	R7838	1-216-833-11	METAL CHIP	10K 5% 1/10W
R2593	1-216-809-11	METAL CHIP	100 5% 1/10W	R7839	1-216-853-11	METAL CHIP	470K 5% 1/10W
R2594	1-216-833-11	METAL CHIP	10K 5% 1/10W	R7840	1-216-809-11	METAL CHIP	100 5% 1/10W
R2595	1-216-821-11	METAL CHIP	1K 5% 1/10W	R7841	1-216-833-11	METAL CHIP	10K 5% 1/10W
R2596	1-216-829-11	METAL CHIP	4.7K 5% 1/10W	R7843	1-216-809-11	METAL CHIP	100 5% 1/10W
R2597	1-218-867-11	METAL CHIP	6.8K 0.5% 1/10W	R7844	1-216-845-11	METAL CHIP	100K 5% 1/10W
R2598	1-216-833-11	METAL CHIP	10K 5% 1/10W	R7846	1-216-864-11	SHORT CHIP	0
R2599	1-216-809-11	METAL CHIP	100 5% 1/10W	R7847	1-216-836-11	METAL CHIP	18K 5% 1/10W
R2600	1-216-833-11	METAL CHIP	10K 5% 1/10W	R7848	1-216-839-11	METAL CHIP	33K 5% 1/10W
R2601	1-216-833-11	METAL CHIP	10K 5% 1/10W	R7849	1-218-841-11	METAL CHIP	560 0.5% 1/10W
R2602	1-216-833-11	METAL CHIP	10K 5% 1/10W	R7851	1-216-833-11	METAL CHIP	10K 5% 1/10W
R2604	1-216-857-11	METAL CHIP	1M 5% 1/10W	R7852	1-216-833-11	METAL CHIP	10K 5% 1/10W
R2661	1-216-801-11	METAL CHIP	22 5% 1/10W	R7853	1-216-833-11	METAL CHIP	10K 5% 1/10W
R2663	1-216-813-11	METAL CHIP	220 5% 1/10W	R7854	1-216-864-11	SHORT CHIP	0
R2664	1-216-805-11	METAL CHIP	47 5% 1/10W	R7856	1-216-864-11	SHORT CHIP	0
R2665	1-216-809-11	METAL CHIP	100 5% 1/10W	R7857	1-216-821-11	METAL CHIP	1K 5% 1/10W
R2667	1-216-813-11	METAL CHIP	220 5% 1/10W	R7859	1-218-866-11	METAL CHIP	6.2K 0.5% 1/10W
R2668	1-216-805-11	METAL CHIP	47 5% 1/10W	R7860	1-218-866-11	METAL CHIP	6.2K 0.5% 1/10W
R2669	1-216-809-11	METAL CHIP	100 5% 1/10W	R7861	1-216-864-11	SHORT CHIP	0
R2671	1-216-813-11	METAL CHIP	220 5% 1/10W	R7864	1-216-805-11	METAL CHIP	47 5% 1/10W
R2672	1-216-805-11	METAL CHIP	47 5% 1/10W	R7865	1-216-821-11	METAL CHIP	1K 5% 1/10W
R6043	1-218-867-11	METAL CHIP	6.8K 0.5% 1/10W	R7866	1-218-866-11	METAL CHIP	6.2K 0.5% 1/10W
R6044	1-218-867-11	METAL CHIP	6.8K 0.5% 1/10W	R7867	1-218-866-11	METAL CHIP	6.2K 0.5% 1/10W
R6046	1-216-864-11	SHORT CHIP	0	R7869	1-216-834-11	METAL CHIP	12K 5% 1/10W
R6047	1-216-864-11	SHORT CHIP	0	R7871	1-216-833-11	METAL CHIP	10K 5% 1/10W
R6048	1-216-864-11	SHORT CHIP	0	R7872	1-216-853-11	METAL CHIP	470K 5% 1/10W
R6049	1-216-864-11	SHORT CHIP	0	R7873	1-216-864-11	SHORT CHIP	0
R6050	1-216-833-11	METAL CHIP	10K 5% 1/10W	R7874	1-216-864-11	SHORT CHIP	0
R6051	1-216-845-11	METAL CHIP	100K 5% 1/10W	R7875	1-216-833-11	METAL CHIP	10K 5% 1/10W
R6056	1-216-864-11	SHORT CHIP	0	R7876	1-216-825-11	METAL CHIP	2.2K 5% 1/10W
R7800	1-216-833-11	METAL CHIP	10K 5% 1/10W	R7877	1-216-837-11	METAL CHIP	22K 5% 1/10W
R7801	1-216-841-11	METAL CHIP	47K 5% 1/10W	R7878	1-218-869-11	METAL CHIP	8.2K 0.5% 1/10W
R7802	1-216-841-11	METAL CHIP	47K 5% 1/10W	R7879	1-218-890-11	METAL CHIP	62K 0.5% 1/10W
R7803	1-216-833-11	METAL CHIP	10K 5% 1/10W	R7880	1-216-833-11	METAL CHIP	10K 5% 1/10W
R7804	1-216-833-11	METAL CHIP	10K 5% 1/10W	R7881	1-216-837-11	METAL CHIP	22K 5% 1/10W
R7805	1-216-829-11	METAL CHIP	4.7K 5% 1/10W	R7882	1-218-890-11	METAL CHIP	62K 0.5% 1/10W
R7809	1-216-832-11	METAL CHIP	8.2K 5% 1/10W	R7883	1-218-869-11	METAL CHIP	8.2K 0.5% 1/10W
R7810	1-216-864-11	SHORT CHIP	0	R7884	1-216-833-11	METAL CHIP	10K 5% 1/10W
R7811	1-216-840-11	METAL CHIP	39K 5% 1/10W	R7885	1-216-837-11	METAL CHIP	22K 5% 1/10W
R7812	1-216-840-11	METAL CHIP	39K 5% 1/10W	R7886	1-216-837-11	METAL CHIP	22K 5% 1/10W
R7813	1-216-832-11	METAL CHIP	8.2K 5% 1/10W	R7887	1-216-838-11	METAL CHIP	27K 5% 1/10W
R7814	1-216-864-11	SHORT CHIP	0	R7888	1-216-825-11	METAL CHIP	2.2K 5% 1/10W
R7815	1-216-864-11	SHORT CHIP	0	R7889	1-216-833-11	METAL CHIP	10K 5% 1/10W
R7821	1-216-845-11	METAL CHIP	100K 5% 1/10W	R7895	1-216-829-11	METAL CHIP	4.7K 5% 1/10W
R7828	1-216-836-11	METAL CHIP	18K 5% 1/10W	R7896	1-216-864-11	SHORT CHIP	0
R7829	1-216-839-11	METAL CHIP	33K 5% 1/10W	R7897	1-216-829-11	METAL CHIP	4.7K 5% 1/10W
R7830	1-218-841-11	METAL CHIP	560 0.5% 1/10W	R7898	1-216-833-11	METAL CHIP	10K 5% 1/10W
R7835	1-216-825-11	METAL CHIP	2.2K 5% 1/10W	R7899	1-216-833-11	METAL CHIP	10K 5% 1/10W
R7836	1-216-853-11	METAL CHIP	470K 5% 1/10W	R7900	1-216-845-11	METAL CHIP	100K 5% 1/10W
R7837	1-216-825-11	METAL CHIP	2.2K 5% 1/10W	R7901	1-216-864-11	SHORT CHIP	0

REF.NO.	PART.NO	DESCRIPTION	REMARK	REF.NO.	PART.NO	DESCRIPTION	REMARK
R7902	1-216-864-11	SHORT CHIP	0	R7958	1-216-833-11	METAL CHIP	10K 5% 1/10W
R7903	1-216-842-11	METAL CHIP	56K 5% 1/10W	R7959	1-216-845-11	METAL CHIP	100K 5% 1/10W
R7904	1-216-842-11	METAL CHIP	56K 5% 1/10W	R7960	1-216-864-11	SHORT CHIP	0
R7905	1-216-864-11	SHORT CHIP	0	R7961	1-216-845-11	METAL CHIP	100K 5% 1/10W
R7906	1-216-825-11	METAL CHIP	2.2K 5% 1/10W	R7962	1-216-842-11	METAL CHIP	56K 5% 1/10W
R7907	1-216-825-11	METAL CHIP	2.2K 5% 1/10W	R7963	1-216-864-11	SHORT CHIP	0
R7908	1-216-833-11	METAL CHIP	10K 5% 1/10W	R7964	1-216-864-11	SHORT CHIP	0
R7909	1-216-864-11	SHORT CHIP	0	R7965	1-216-853-11	METAL CHIP	470K 5% 1/10W
R7910	1-216-825-11	METAL CHIP	2.2K 5% 1/10W	R7966	1-216-853-11	METAL CHIP	470K 5% 1/10W
R7911	1-216-821-11	METAL CHIP	1K 5% 1/10W	R7967	1-216-821-11	METAL CHIP	1K 5% 1/10W
R7912	1-216-845-11	METAL CHIP	100K 5% 1/10W	R7968	1-216-821-11	METAL CHIP	1K 5% 1/10W
R7913	1-216-864-11	SHORT CHIP	0	R7970	1-216-837-11	METAL CHIP	22K 5% 1/10W
R7914	1-216-845-11	METAL CHIP	100K 5% 1/10W	R7971	1-216-837-11	METAL CHIP	22K 5% 1/10W
R7915	1-216-845-11	METAL CHIP	100K 5% 1/10W	R7973	1-216-833-11	METAL CHIP	10K 5% 1/10W
R7917	1-216-864-11	SHORT CHIP	0	R7977	1-216-864-11	SHORT CHIP	0
R7919	1-216-864-11	SHORT CHIP	0	R7979	1-216-864-11	SHORT CHIP	0
R7920	1-218-873-11	METAL CHIP	12K 0.5% 1/10W	R7981	1-216-864-11	SHORT CHIP	0
R7921	1-218-873-11	METAL CHIP	12K 0.5% 1/10W	R7983	1-216-864-11	SHORT CHIP	0
R7922	1-216-845-11	METAL CHIP	100K 5% 1/10W	R7985	1-216-845-11	METAL CHIP	100K 5% 1/10W
R7923	1-216-826-11	METAL CHIP	2.7K 5% 1/10W	R7986	1-216-845-11	METAL CHIP	100K 5% 1/10W
R7924	1-216-846-11	METAL CHIP	120K 5% 1/10W	R7991	1-216-864-11	SHORT CHIP	0
R7925	1-216-833-11	METAL CHIP	10K 5% 1/10W	R7993	1-216-837-11	METAL CHIP	22K 5% 1/10W
R7926	1-216-833-11	METAL CHIP	10K 5% 1/10W	R7994	1-216-837-11	METAL CHIP	22K 5% 1/10W
R7927	1-216-846-11	METAL CHIP	120K 5% 1/10W	R7995	1-216-841-11	METAL CHIP	47K 5% 1/10W
R7928	1-216-845-11	METAL CHIP	100K 5% 1/10W	R7996	1-216-841-11	METAL CHIP	47K 5% 1/10W
R7929	1-216-826-11	METAL CHIP	2.7K 5% 1/10W	R7997	1-216-864-11	SHORT CHIP	0
R7930	1-216-829-11	METAL CHIP	4.7K 5% 1/10W	R7998	1-216-864-11	SHORT CHIP	0
R7931	1-216-829-11	METAL CHIP	4.7K 5% 1/10W	R7999	1-216-864-11	SHORT CHIP	0
R7932	1-216-845-11	METAL CHIP	100K 5% 1/10W	R8000	1-216-864-11	SHORT CHIP	0
R7933	1-216-864-11	SHORT CHIP	0	R8003	1-216-833-11	METAL CHIP	10K 5% 1/10W
R7934	1-216-864-11	SHORT CHIP	0	R8004	1-216-833-11	METAL CHIP	10K 5% 1/10W
R7935	1-216-829-11	METAL CHIP	4.7K 5% 1/10W	R8202	1-216-864-11	SHORT CHIP	0
R7936	1-216-829-11	METAL CHIP	4.7K 5% 1/10W	R8203	1-216-864-11	SHORT CHIP	0
R7937	1-216-813-11	METAL CHIP	220 5% 1/10W	R8206	1-216-864-11	SHORT CHIP	0
R7938	1-216-845-11	METAL CHIP	100K 5% 1/10W	R8207	1-216-864-11	SHORT CHIP	0
R7940	1-216-813-11	METAL CHIP	220 5% 1/10W	R8208	1-216-864-11	SHORT CHIP	0
R7941	1-216-845-11	METAL CHIP	100K 5% 1/10W	R8209	1-216-864-11	SHORT CHIP	0
R7943	1-216-864-11	SHORT CHIP	0	R8214	1-216-864-11	SHORT CHIP	0
R7944	1-216-864-11	SHORT CHIP	0	R8215	1-216-864-11	SHORT CHIP	0
R7945	1-216-864-11	SHORT CHIP	0	R8400	1-218-867-11	METAL CHIP	6.8K 0.5% 1/10W
R7946	1-216-846-11	METAL CHIP	120K 5% 1/10W	R8402	1-218-872-11	METAL CHIP	11K 0.5% 1/10W
R7947	1-216-845-11	METAL CHIP	100K 5% 1/10W	R8403	1-216-833-11	METAL CHIP	10K 5% 1/10W
R7948	1-216-864-11	SHORT CHIP	0	R8404	1-216-864-11	SHORT CHIP	0
R7949	1-216-864-11	SHORT CHIP	0	R8406	1-218-859-11	METAL CHIP	3.3K 0.5% 1/10W
R7951	1-216-845-11	METAL CHIP	100K 5% 1/10W	R8407	1-216-295-91	SHORT CHIP	0
R7952	1-216-845-11	METAL CHIP	100K 5% 1/10W	R8433	1-216-864-11	SHORT CHIP	0
R7953	1-216-845-11	METAL CHIP	100K 5% 1/10W	R8434	1-216-821-11	METAL CHIP	1K 5% 1/10W
R7954	1-216-845-11	METAL CHIP	100K 5% 1/10W	R8436	1-216-821-11	METAL CHIP	1K 5% 1/10W
R7956	1-216-845-11	METAL CHIP	100K 5% 1/10W	R8437	1-218-692-11	METAL CHIP	1K 0.5% 1/10W
R7957	1-216-845-11	METAL CHIP	100K 5% 1/10W	R8438	1-216-805-11	METAL CHIP	47 5% 1/10W

REF.NO.	PART.NO	DESCRIPTION	REMARK			REF.NO.	PART.NO	DESCRIPTION	REMARK		
R8439	1-216-805-11	METAL CHIP	47	5%	1/10W	R8562	1-216-295-91	SHORT CHIP	0		
R8441	1-216-833-11	METAL CHIP	10K	5%	1/10W	R8563	1-216-295-91	SHORT CHIP	0		
R8442	1-216-833-11	METAL CHIP	10K	5%	1/10W	R8564	1-216-864-11	SHORT CHIP	0		
R8502	1-218-861-11	METAL CHIP	3.9K	0.5%	1/10W	R8565	1-216-864-11	SHORT CHIP	0		
R8506	1-218-866-11	METAL CHIP	6.2K	0.5%	1/10W	R8566	1-216-864-11	SHORT CHIP	0		
R8507	1-216-295-91	SHORT CHIP	0			R8567	1-216-864-11	SHORT CHIP	0		
R8508	1-216-821-11	METAL CHIP	1K	5%	1/10W	R8568	1-216-864-11	SHORT CHIP	0		
R8509	1-216-295-91	SHORT CHIP	0			R8569	1-216-864-11	SHORT CHIP	0		
R8510	1-216-841-11	METAL CHIP	47K	5%	1/10W	R8570	1-216-864-11	SHORT CHIP	0		
R8511	1-218-881-11	METAL CHIP	27K	0.5%	1/10W	R8571	1-216-864-11	SHORT CHIP	0		
R8512	1-218-855-11	METAL CHIP	2.2K	0.5%	1/10W	R8572	1-216-864-11	SHORT CHIP	0		
R8513	1-218-881-11	METAL CHIP	27K	0.5%	1/10W	R8573	1-216-864-11	SHORT CHIP	0		
R8514	1-216-295-91	SHORT CHIP	0			R8574	1-216-864-11	SHORT CHIP	0		
R8515	1-218-850-11	METAL CHIP	1.3K	0.5%	1/10W	R8575	1-216-864-11	SHORT CHIP	0		
R8516	1-216-295-91	SHORT CHIP	0			R8576	1-216-864-11	SHORT CHIP	0		
R8517	1-216-864-11	SHORT CHIP	0			R8577	1-216-864-11	SHORT CHIP	0		
R8519	1-216-295-91	SHORT CHIP	0			R8578	1-216-864-11	SHORT CHIP	0		
R8520	1-216-295-91	SHORT CHIP	0			R8579	1-216-821-11	METAL CHIP	1K	5%	1/10W
R8521	1-216-295-91	SHORT CHIP	0			R8580	1-216-864-11	SHORT CHIP	0		
R8522	1-216-851-11	METAL CHIP	330K	5%	1/10W	R8581	1-216-295-91	SHORT CHIP	0		
R8523	1-216-839-11	METAL CHIP	33K	5%	1/10W	R8583	1-216-864-11	SHORT CHIP	0		
R8525	1-216-864-11	SHORT CHIP	0			R8584	1-216-295-91	SHORT CHIP	0		
R8526	1-216-864-11	SHORT CHIP	0			R8585	1-218-851-11	METAL CHIP	1.5K	0.5%	1/10W
R8527	1-218-851-11	METAL CHIP	1.5K	0.5%	1/10W	R8586	1-216-833-11	METAL CHIP	10K	5%	1/10W
R8529	1-216-864-11	SHORT CHIP	0			R8587	1-216-833-11	METAL CHIP	10K	5%	1/10W
R8530	1-216-295-91	SHORT CHIP	0			R8588	1-216-295-91	SHORT CHIP	0		
R8531	1-216-864-11	SHORT CHIP	0			R8589	1-216-295-91	SHORT CHIP	0		
R8532	1-216-864-11	SHORT CHIP	0			R8591	1-216-833-11	METAL CHIP	10K	5%	1/10W
R8533	1-216-864-11	SHORT CHIP	0			R8592	1-216-833-11	METAL CHIP	10K	5%	1/10W
R8534	1-216-864-11	SHORT CHIP	0			R8593	1-216-833-11	METAL CHIP	10K	5%	1/10W
R8535	1-216-864-11	SHORT CHIP	0			R8594	1-216-864-11	SHORT CHIP	0		
R8536	1-216-295-91	SHORT CHIP	0			R8595	1-216-864-11	SHORT CHIP	0		
R8537	1-216-841-11	METAL CHIP	47K	5%	1/10W	R8596	1-216-864-11	SHORT CHIP	0		
R8538	1-216-864-11	SHORT CHIP	0			R8597	1-216-864-11	SHORT CHIP	0		
R8539	1-216-864-11	SHORT CHIP	0			R8598	1-216-864-11	SHORT CHIP	0		
R8540	1-216-864-11	SHORT CHIP	0			R8599	1-216-845-11	METAL CHIP	100K	5%	1/10W
R8541	1-216-864-11	SHORT CHIP	0			R8633	1-216-821-11	METAL CHIP	1K	5%	1/10W
R8542	1-216-864-11	SHORT CHIP	0			R8634	1-216-864-11	SHORT CHIP	0		
R8543	1-216-864-11	SHORT CHIP	0			R8635	1-216-864-11	SHORT CHIP	0		
R8544	1-216-864-11	SHORT CHIP	0			R8655	1-216-821-11	METAL CHIP	1K	5%	1/10W
R8545	1-216-829-11	METAL CHIP	4.7K	5%	1/10W	R8658	1-216-295-91	SHORT CHIP	0		
R8546	1-216-833-11	METAL CHIP	10K	5%	1/10W	R8659	1-216-841-11	METAL CHIP	47K	5%	1/10W
R8547	1-216-833-11	METAL CHIP	10K	5%	1/10W	R8660	1-218-881-11	METAL CHIP	27K	0.5%	1/10W
R8548	1-216-864-11	SHORT CHIP	0			R8661	1-218-887-11	METAL CHIP	47K	0.5%	1/10W
R8549	1-216-864-11	SHORT CHIP	0			R8662	1-216-295-91	SHORT CHIP	0		
R8550	1-216-821-11	METAL CHIP	1K	5%	1/10W	R8663	1-216-295-91	SHORT CHIP	0		
R8554	1-216-821-11	METAL CHIP	1K	5%	1/10W	R8704	1-216-864-11	SHORT CHIP	0		
R8557	1-216-833-11	METAL CHIP	10K	5%	1/10W	R9103	1-216-811-11	METAL CHIP	150	5%	1/10W
R8560	1-218-865-11	METAL CHIP	5.6K	0.5%	1/10W	R9104	1-218-285-11	METAL CHIP	75	5%	1/10W
R8561	1-218-857-11	METAL CHIP	2.7K	0.5%	1/10W	R9105	1-216-811-11	METAL CHIP	150	5%	1/10W

REF.NO.	PART.NO	DESCRIPTION	REMARK	REF.NO.	PART.NO	DESCRIPTION	REMARK
R9108	1-216-811-11	METAL CHIP	150 5% 1/10W	R9535	1-216-813-11	METAL CHIP	220 5% 1/10W
R9109	1-216-811-11	METAL CHIP	150 5% 1/10W	R9536	1-216-864-11	SHORT CHIP	0
R9112	1-216-809-11	METAL CHIP	100 5% 1/10W	R9537	1-216-813-11	METAL CHIP	220 5% 1/10W
R9113	1-216-809-11	METAL CHIP	100 5% 1/10W	R9538	1-216-853-11	METAL CHIP	470K 5% 1/10W
R9114	1-216-809-11	METAL CHIP	100 5% 1/10W	R9539	1-216-853-11	METAL CHIP	470K 5% 1/10W
R9115	1-216-821-11	METAL CHIP	1K 5% 1/10W	R9540	1-216-049-11	RES-CHIP	1K 5% 1/10W
R9116	1-216-864-11	SHORT CHIP	0	R9541	1-216-029-00	RES-CHIP	150 5% 1/10W
R9136	1-216-853-11	METAL CHIP	470K 5% 1/10W	R9543	1-216-029-00	RES-CHIP	150 5% 1/10W
R9137	1-216-821-11	METAL CHIP	1K 5% 1/10W	R9544	1-216-864-11	SHORT CHIP	0
R9138	1-216-853-11	METAL CHIP	470K 5% 1/10W	R9545	1-216-025-11	RES-CHIP	100 5% 1/10W
R9139	1-216-821-11	METAL CHIP	1K 5% 1/10W	R9546	1-216-025-11	RES-CHIP	100 5% 1/10W
R9142	1-216-864-11	SHORT CHIP	0	R9547	1-216-025-11	RES-CHIP	100 5% 1/10W
R9401	1-216-864-11	SHORT CHIP	0	R9548	1-216-837-11	METAL CHIP	22K 5% 1/10W
R9402	1-216-864-11	SHORT CHIP	0	R9549	1-216-853-11	METAL CHIP	470K 5% 1/10W
R9407	1-216-864-11	SHORT CHIP	0	R9550	1-216-853-11	METAL CHIP	470K 5% 1/10W
R9408	1-216-864-11	SHORT CHIP	0	R9551	1-216-022-00	RES-CHIP	75 5% 1/10W
R9409	1-216-864-11	SHORT CHIP	0	R9552	1-216-029-00	RES-CHIP	150 5% 1/10W
R9500	1-216-864-11	SHORT CHIP	0	R9553	1-216-029-00	RES-CHIP	150 5% 1/10W
R9501	1-216-864-11	SHORT CHIP	0	R9554	1-216-029-00	RES-CHIP	150 5% 1/10W
R9503	1-216-815-11	METAL CHIP	330 5% 1/10W	R9555	1-216-029-00	RES-CHIP	150 5% 1/10W
R9504	1-216-049-11	RES-CHIP	1K 5% 1/10W	R9556	1-216-025-11	RES-CHIP	100 5% 1/10W
R9505	1-216-813-11	METAL CHIP	220 5% 1/10W	R9557	1-216-025-11	RES-CHIP	100 5% 1/10W
R9506	1-216-864-11	SHORT CHIP	0	R9558	1-216-025-11	RES-CHIP	100 5% 1/10W
R9507	1-216-853-11	METAL CHIP	470K 5% 1/10W	R9559	1-216-025-11	RES-CHIP	100 5% 1/10W
R9508	1-216-815-11	METAL CHIP	330 5% 1/10W	R9588	1-216-834-11	METAL CHIP	12K 5% 1/10W
R9509	1-216-049-11	RES-CHIP	1K 5% 1/10W	R9589	1-216-834-11	METAL CHIP	12K 5% 1/10W
R9510	1-216-029-00	RES-CHIP	150 5% 1/10W	R9606	1-216-864-11	SHORT CHIP	0
R9511	1-216-813-11	METAL CHIP	220 5% 1/10W	R9611	1-216-809-11	METAL CHIP	100 5% 1/10W
R9512	1-216-864-11	SHORT CHIP	0	R9612	1-216-825-11	METAL CHIP	2.2K 5% 1/10W
R9513	1-216-025-11	RES-CHIP	100 5% 1/10W	R9613	1-216-809-11	METAL CHIP	100 5% 1/10W
R9514	1-216-025-11	RES-CHIP	100 5% 1/10W	R9614	1-216-864-11	SHORT CHIP	0
R9515	1-216-837-11	METAL CHIP	22K 5% 1/10W	R9615	1-216-821-11	METAL CHIP	1K 5% 1/10W
R9516	1-216-853-11	METAL CHIP	470K 5% 1/10W	R9616	1-216-825-11	METAL CHIP	2.2K 5% 1/10W
R9517	1-216-853-11	METAL CHIP	470K 5% 1/10W	R9617	1-216-809-11	METAL CHIP	100 5% 1/10W
R9518	1-216-853-11	METAL CHIP	470K 5% 1/10W	R9621	1-216-809-11	METAL CHIP	100 5% 1/10W
R9520	1-216-029-00	RES-CHIP	150 5% 1/10W	R9622	1-216-821-11	METAL CHIP	1K 5% 1/10W
R9521	1-216-029-00	RES-CHIP	150 5% 1/10W	R9623	1-216-809-11	METAL CHIP	100 5% 1/10W
R9522	1-216-029-00	RES-CHIP	150 5% 1/10W	R9626	1-216-809-11	METAL CHIP	100 5% 1/10W
R9523	1-216-025-11	RES-CHIP	100 5% 1/10W	R9627	1-216-825-11	METAL CHIP	2.2K 5% 1/10W
R9524	1-216-025-11	RES-CHIP	100 5% 1/10W	R9628	1-216-825-11	METAL CHIP	2.2K 5% 1/10W
R9525	1-216-025-11	RES-CHIP	100 5% 1/10W	R9629	1-216-825-11	METAL CHIP	2.2K 5% 1/10W
R9526	1-216-022-00	RES-CHIP	75 5% 1/10W	R9630	1-216-809-11	METAL CHIP	100 5% 1/10W
R9527	1-216-029-00	RES-CHIP	150 5% 1/10W	R9631	1-216-809-11	METAL CHIP	100 5% 1/10W
R9528	1-216-029-00	RES-CHIP	150 5% 1/10W	R9632	1-216-864-11	SHORT CHIP	0
R9529	1-216-025-11	RES-CHIP	100 5% 1/10W	R9633	1-216-864-11	SHORT CHIP	0
R9530	1-216-809-11	METAL CHIP	100 5% 1/10W	R9634	1-216-864-11	SHORT CHIP	0
R9531	1-216-815-11	METAL CHIP	330 5% 1/10W	R9638	1-216-825-11	METAL CHIP	2.2K 5% 1/10W
R9532	1-216-049-11	RES-CHIP	1K 5% 1/10W	R9639	1-216-809-11	METAL CHIP	100 5% 1/10W
R9533	1-216-815-11	METAL CHIP	330 5% 1/10W	R9640	1-216-825-11	METAL CHIP	2.2K 5% 1/10W
R9534	1-216-821-11	METAL CHIP	1K 5% 1/10W	R9641	1-216-825-11	METAL CHIP	2.2K 5% 1/10W

REF.NO.	PART.NO	DESCRIPTION	REMARK	REF.NO.	PART.NO	DESCRIPTION	REMARK
R9642	1-216-809-11	METAL CHIP	100 5% 1/10W	R9852	1-216-864-11	SHORT CHIP	0
R9643	1-216-809-11	METAL CHIP	100 5% 1/10W	R9853	1-216-864-11	SHORT CHIP	0
R9644	1-216-864-11	SHORT CHIP	0	R9854	1-216-864-11	SHORT CHIP	0
R9645	1-216-864-11	SHORT CHIP	0	R9855	1-216-864-11	SHORT CHIP	0
R9652	1-216-825-11	METAL CHIP	2.2K 5% 1/10W	R9856	1-216-864-11	SHORT CHIP	0
R9653	1-216-825-11	METAL CHIP	2.2K 5% 1/10W	R9857	1-216-864-11	SHORT CHIP	0
R9656	1-216-809-11	METAL CHIP	100 5% 1/10W	R9858	1-216-864-11	SHORT CHIP	0
R9658	1-218-867-11	METAL CHIP	6.8K 0.5% 1/10W	R9859	1-216-864-11	SHORT CHIP	0
R9659	1-218-867-11	METAL CHIP	6.8K 0.5% 1/10W	R9860	1-216-864-11	SHORT CHIP	0
R9660	1-218-859-11	METAL CHIP	3.3K 0.5% 1/10W	R9869	1-216-295-91	SHORT CHIP	0
R9661	1-216-830-11	METAL CHIP	5.6K 5% 1/10W	R9870	1-218-887-11	METAL CHIP	47K 0.5% 1/10W
R9662	1-218-867-11	METAL CHIP	6.8K 0.5% 1/10W	R9872	1-216-864-11	SHORT CHIP	0
R9663	1-216-809-11	METAL CHIP	100 5% 1/10W	R9874	1-218-881-11	METAL CHIP	27K 0.5% 1/10W
R9664	1-218-861-11	METAL CHIP	3.9K 0.5% 1/10W	R9875	1-216-833-11	METAL CHIP	10K 5% 1/10W
R9672	1-216-821-11	METAL CHIP	1K 5% 1/10W	R9876	1-218-877-11	METAL CHIP	18K 0.5% 1/10W
R9673	1-216-813-11	METAL CHIP	220 5% 1/10W	R9877	1-218-855-11	METAL CHIP	2.2K 0.5% 1/10W
R9675	1-216-821-11	METAL CHIP	1K 5% 1/10W	R9878	1-218-861-11	METAL CHIP	3.9K 0.5% 1/10W
R9676	1-216-821-11	METAL CHIP	1K 5% 1/10W	R9879	1-218-879-11	METAL CHIP	22K 0.5% 1/10W
R9677	1-216-821-11	METAL CHIP	1K 5% 1/10W	R9884	1-216-864-11	SHORT CHIP	0
R9685	1-216-864-11	SHORT CHIP	0	R9885	1-216-864-11	SHORT CHIP	0
R9686	1-216-864-11	SHORT CHIP	0	R9886	1-216-843-11	METAL CHIP	68K 5% 1/10W
R9689	1-216-821-11	METAL CHIP	1K 5% 1/10W	R9887	1-216-851-11	METAL CHIP	330K 5% 1/10W
R9690	1-216-821-11	METAL CHIP	1K 5% 1/10W	R9889	1-216-833-11	METAL CHIP	10K 5% 1/10W
R9691	1-216-853-11	METAL CHIP	470K 5% 1/10W	R9890	1-216-833-11	METAL CHIP	10K 5% 1/10W
R9692	1-216-853-11	METAL CHIP	470K 5% 1/10W	R9891	1-216-835-11	METAL CHIP	15K 5% 1/10W
R9693	1-216-029-00	RES-CHIP	150 5% 1/10W	R9892	1-216-864-11	SHORT CHIP	0
R9694	1-216-864-11	SHORT CHIP	0	R9895	1-216-864-11	SHORT CHIP	0
R9695	1-216-864-11	SHORT CHIP	0	R9896	1-216-857-11	METAL CHIP	1M 5% 1/10W
R9696	1-216-864-11	SHORT CHIP	0	R9899	1-216-864-11	SHORT CHIP	0
R9697	1-216-029-00	RES-CHIP	150 5% 1/10W	R9900	1-216-295-91	SHORT CHIP	0
R9698	1-216-029-00	RES-CHIP	150 5% 1/10W	R9901	1-216-295-91	SHORT CHIP	0
R9699	1-216-029-00	RES-CHIP	150 5% 1/10W				
R9700	1-216-029-00	RES-CHIP	150 5% 1/10W			< VARISTOR >	
R9701	1-216-029-00	RES-CHIP	150 5% 1/10W	VD7800	1-803-974-21	VARISTOR, CHIP	(1608)
R9702	1-216-029-00	RES-CHIP	150 5% 1/10W	VD7801	1-801-925-21	VARISTOR, CHIP	(1608)
R9703	1-216-029-00	RES-CHIP	150 5% 1/10W	VD7802	1-801-925-21	VARISTOR, CHIP	(1608)
R9704	1-216-029-00	RES-CHIP	150 5% 1/10W	VD7803	1-803-974-21	VARISTOR, CHIP	(1608)
R9705	1-216-029-00	RES-CHIP	150 5% 1/10W	VD7804	1-803-974-21	VARISTOR, CHIP	(1608)
R9706	1-216-029-00	RES-CHIP	150 5% 1/10W	VD7805	1-803-974-21	VARISTOR, CHIP	(1608)
R9707	1-216-029-00	RES-CHIP	150 5% 1/10W	VD7806	1-801-925-21	VARISTOR, CHIP	(1608)
R9708	1-216-029-00	RES-CHIP	150 5% 1/10W	VD7807	1-801-925-21	VARISTOR, CHIP	(1608)
R9709	1-216-029-00	RES-CHIP	150 5% 1/10W	VD7808	1-801-925-21	VARISTOR, CHIP	(1608)
R9710	1-216-864-11	SHORT CHIP	0	VD7809	1-801-925-21	VARISTOR, CHIP	(1608)
R9713	1-216-864-11	SHORT CHIP	0	VD9022	1-803-974-21	VARISTOR, CHIP	(1608)
R9716	1-216-864-11	SHORT CHIP	0	VD9023	1-803-974-21	VARISTOR, CHIP	(1608)
R9717	1-216-864-11	SHORT CHIP	0	VD9024	1-803-974-21	VARISTOR, CHIP	(1608)
R9718	1-216-864-11	SHORT CHIP	0	VD9058	1-803-974-21	VARISTOR, CHIP	(1608)
R9719	1-216-864-11	SHORT CHIP	0	VD9059	1-803-974-21	VARISTOR, CHIP	(1608)
R9727	1-216-864-11	SHORT CHIP	0	VD9600	1-803-974-21	VARISTOR, CHIP	(1608)
R9851	1-216-864-11	SHORT CHIP	0				

REF.NO.	PART.NO	DESCRIPTION	REMARK	REF.NO.	PART.NO	DESCRIPTION	REMARK
VD9601	1-803-974-21	VARISTOR, CHIP	(1608)	S9806	1-771-105-11	SWITCH, TACTILE	
VD9851	1-803-974-21	VARISTOR, CHIP	(1608)	S9807	1-771-105-11	SWITCH, TACTILE	
VD9852	1-801-925-21	VARISTOR, CHIP	(1608)	S9808	1-771-105-11	SWITCH, TACTILE	
VD9853	1-801-925-21	VARISTOR, CHIP	(1608)				
VDR001	1-803-974-21	VARISTOR, CHIP	(1608)			< VARISTOR >	
VDR002	1-803-974-21	VARISTOR, CHIP	(1608)	VD980	1-803-974-21	VARISTOR, CHIP	(1608)
VDR003	1-803-974-21	VARISTOR, CHIP	(1608)	VD981	1-803-974-21	VARISTOR, CHIP	(1608)
VDR004	1-803-974-21	VARISTOR, CHIP	(1608)	VD982	1-803-974-21	VARISTOR, CHIP	(1608)
VDR005	1-803-974-21	VARISTOR, CHIP	(1608)	VD983	1-803-974-21	VARISTOR, CHIP	(1608)
VDR006	1-803-974-21	VARISTOR, CHIP	(1608)	VD984	1-803-974-21	VARISTOR, CHIP	(1608)
VDR007	1-803-974-21	VARISTOR, CHIP	(1608)	VD985	1-803-974-21	VARISTOR, CHIP	(1608)
VDR008	1-803-974-21	VARISTOR, CHIP	(1608)	VD986	1-803-974-21	VARISTOR, CHIP	(1608)
VDR009	1-803-974-21	VARISTOR, CHIP	(1608)	VD987	1-803-974-21	VARISTOR, CHIP	(1608)
VDR010	1-803-974-21	VARISTOR, CHIP	(1608)				
VDR011	1-803-974-21	VARISTOR, CHIP	(1608)				
		< CRYSTAL >					
X2500	1-781-914-21	VIBRATOR, CRYSTAL					
X7800	1-795-612-11	VIBRATOR, CRYSTAL					
*A-1128-518-A H1E Board, Complete							
		< CAPACITOR >					
C9801	1-107-826-11	CERAMIC CHIP 0.1UF	10.00% 16V				
C9802	1-107-826-11	CERAMIC CHIP 0.1UF	10.00% 16V				
		< CONNECTOR >					
CN9802	1-778-507-21	PIN, CONNECTOR (PC BOARD) 4P					
		< DIODE >					
D9801	8-719-036-94	DIODE RD5.6SB-T1					
D9802	8-719-036-94	DIODE RD5.6SB-T1					
		< RESISTOR >					
R9801	1-216-864-11	SHORT CHIP	0				
R9802	1-218-837-11	METAL CHIP	390 0.5% 1/10W				
R9803	1-218-827-11	METAL CHIP	150 0.5% 1/10W				
R9804	1-218-865-11	METAL CHIP	5.6K 0.5% 1/10W				
R9805	1-216-864-11	SHORT CHIP	0				
R9806	1-218-839-11	METAL CHIP	470 0.5% 1/10W				
R9807	1-218-847-11	METAL CHIP	1K 0.5% 1/10W				
R9808	1-218-855-11	METAL CHIP	2.2K 0.5% 1/10W				
R9810	1-216-864-11	SHORT CHIP	0				
		< SWITCH >					
S9801	1-771-105-11	SWITCH, TACTILE					
S9802	1-771-105-11	SWITCH, TACTILE					
S9803	1-771-105-11	SWITCH, TACTILE					
S9804	1-771-105-11	SWITCH, TACTILE					
S9805	1-771-105-11	SWITCH, TACTILE					

*A-1115-520-A TU Board, Complete (KLV-S19A10E)
*A-1115-519-A TU Board, Complete (KLV-S19A10U)

TU Board, Common Parts

REF.NO.	PART.NO	DESCRIPTION	REMARK
		< CAPACITOR >	
C1100	1-126-967-11	ELECT 47UF	20.00% 50V
C1101	1-162-921-11	CERAMIC CHIP 33PF	5.00% 50V
C1102	1-162-921-11	CERAMIC CHIP 33PF	5.00% 50V
C1103	1-162-921-11	CERAMIC CHIP 33PF	5.00% 50V
C1105	1-162-921-11	CERAMIC CHIP 33PF	5.00% 50V
C1106	1-100-566-91	CERAMIC CHIP 0.1UF	10.00% 25V
C1108	1-162-924-11	CERAMIC CHIP 56PF	5.00% 50V
C1109	1-162-924-11	CERAMIC CHIP 56PF	5.00% 50V
C1110	1-162-921-11	CERAMIC CHIP 33PF	5.00% 50V
C1111	1-100-566-91	CERAMIC CHIP 0.1UF	10.00% 25V
C1112	1-126-964-11	ELECT 10UF	20.00% 50V
C1113	1-162-970-11	CERAMIC CHIP 0.01UF	10.00% 25V
C9606	1-162-964-11	CERAMIC CHIP 0.001UF	10.00% 50V
C9607	1-127-573-11	CERAMIC CHIP 1UF	10% 16V
C9608	1-127-573-11	CERAMIC CHIP 1UF	10% 16V
C9609	1-162-966-11	CERAMIC CHIP 0.0022UF	10.00% 50V
C9610	1-162-927-11	CERAMIC CHIP 100PF	5.00% 50V
C9614	1-127-715-91	CERAMIC CHIP 0.22UF	10% 16V
C9624	1-126-967-11	ELECT 47UF	20.00% 50V
		< CONNECTOR >	
CN1100	1-764-087-21	PIN, CONNECTOR (PC BOARD) 14P	
		< DIODE >	
D9543	8-719-081-97	DIODE MMDL914T1	
		< FERRITE BEAD >	
FB1100	1-469-775-21	FERRITE	0UH
FB1101	1-469-775-21	FERRITE	0UH
FB1102	1-469-775-21	FERRITE	0UH

REF.NO.	PART.NO	DESCRIPTION	REMARK	REF.NO.	PART.NO	DESCRIPTION	REMARK
< IC >				TU Board, Variant Parts KLV-S19A10E			
IC9501	8-759-514-57	IC BA7046F		< TUNER >			
< COIL >				TU1100	8-597-936-00	TUNER, FSS BTF-EF411Z	
< TRANSISTOR >				TU Board, Variant Parts KLV-S19A10U			
L1100	1-414-580-21	INDUCTOR	100NH	< TUNER >			
L1101	1-414-580-21	INDUCTOR	100NH	TU1100	8-597-517-00	FRONTEND BTF-EU611Z	
L1102	1-414-580-21	INDUCTOR	100NH	*A-1128-517-C BE Board, Complete			
L1103	1-412-029-11	INDUCTOR	10UH	< CAPACITOR >			
L1104	1-412-979-21	INDUCTOR	1UH	C1000	1-164-156-11	CERAMIC CHIP 0.1UF	25V
L1105	1-412-029-11	INDUCTOR	10UH	C1001	1-164-156-11	CERAMIC CHIP 0.1UF	25V
L1106	1-412-029-11	INDUCTOR	10UH	C1002	1-164-156-11	CERAMIC CHIP 0.1UF	25V
L9509	1-412-029-11	INDUCTOR	10UH	C1003	1-164-156-11	CERAMIC CHIP 0.1UF	25V
Q1100	8-729-010-29	TRANSISTOR MSD601-RST1		C1004	1-124-779-00	ELECT CHIP 10UF	20.00% 16V
Q1101	8-729-010-05	TRANSISTOR MSB709-RT1		C1005	1-124-779-00	ELECT CHIP 10UF	20.00% 16V
Q1102	8-729-010-05	TRANSISTOR MSB709-RT1		C1006	1-125-777-11	CERAMIC CHIP 0.1UF	10.00% 10V
Q1103	8-729-010-05	TRANSISTOR MSB709-RT1		C1007	1-124-779-00	ELECT CHIP 10UF	20.00% 16V
Q9509	8-729-010-29	TRANSISTOR MSD601-RST1		C1008	1-125-777-11	CERAMIC CHIP 0.1UF	10.00% 10V
Q9513	8-729-010-05	TRANSISTOR MSB709-RT1		C1009	1-125-777-11	CERAMIC CHIP 0.1UF	10.00% 10V
< RESISTOR >				C1010	1-125-777-11	CERAMIC CHIP 0.1UF	10.00% 10V
R1100	1-216-864-11	SHORT CHIP	0	C1011	1-125-777-11	CERAMIC CHIP 0.1UF	10.00% 10V
R1101	1-216-864-11	SHORT CHIP	0	C1012	1-125-777-11	CERAMIC CHIP 0.1UF	10.00% 10V
R1102	1-216-836-11	METAL CHIP	18K 5% 1/10W	C1014	1-125-777-11	CERAMIC CHIP 0.1UF	10.00% 10V
R1103	1-216-833-11	METAL CHIP	10K 5% 1/10W	C1015	1-125-777-11	CERAMIC CHIP 0.1UF	10.00% 10V
R1106	1-216-864-11	SHORT CHIP	0	C1016	1-164-874-11	CERAMIC CHIP 100PF	5.00% 50V
R1107	1-216-864-11	SHORT CHIP	0	C1017	1-125-777-11	CERAMIC CHIP 0.1UF	10.00% 10V
R1108	1-216-864-11	SHORT CHIP	0	C1018	1-164-874-11	CERAMIC CHIP 100PF	5.00% 50V
R1109	1-216-864-11	SHORT CHIP	0	C1019	1-162-921-11	CERAMIC CHIP 33PF	5.00% 50V
R1110	1-216-864-11	SHORT CHIP	0	C1020	1-125-777-11	CERAMIC CHIP 0.1UF	10.00% 10V
R1111	1-216-821-11	METAL CHIP	1K 5% 1/10W	C1021	1-162-921-11	CERAMIC CHIP 33PF	5.00% 50V
R1112	1-216-821-11	METAL CHIP	1K 5% 1/10W	C1022	1-164-874-11	CERAMIC CHIP 100PF	5.00% 50V
R1113	1-216-821-11	METAL CHIP	1K 5% 1/10W	C1023	1-125-777-11	CERAMIC CHIP 0.1UF	10.00% 10V
R1114	1-216-821-11	METAL CHIP	1K 5% 1/10W	C1024	1-164-874-11	CERAMIC CHIP 100PF	5.00% 50V
R1115	1-216-864-11	SHORT CHIP	0	C1026	1-126-205-11	ELECT CHIP 47UF	20.00% 6.3V
R1116	1-216-864-11	SHORT CHIP	0	C1027	1-164-156-11	CERAMIC CHIP 0.1UF	25V
R1117	1-216-864-11	SHORT CHIP	0	C1028	1-126-396-11	ELECT CHIP 47UF	20.00% 16V
R1118	1-216-864-11	SHORT CHIP	0	C1029	1-126-396-11	ELECT CHIP 47UF	20.00% 16V
R9646	1-216-864-11	SHORT CHIP	0	C1032	1-125-777-11	CERAMIC CHIP 0.1UF	10.00% 10V
R9647	1-216-812-11	METAL CHIP	180 5% 1/10W	C1036	1-216-392-11	ELECT CHIP 100UF	20.00% 6.3V
R9648	1-216-821-11	METAL CHIP	1K 5% 1/10W	C1037	1-127-715-91	CERAMIC CHIP 0.22UF	10% 16V
R9649	1-216-833-11	METAL CHIP	10K 5% 1/10W	C1038	1-162-927-11	CERAMIC CHIP 100PF	5.00% 50V
R9650	1-216-853-11	METAL CHIP	470K 5% 1/10W	C1047	1-164-156-11	CERAMIC CHIP 0.1UF	25V
R9651	1-218-898-11	METAL CHIP	130K 0.5% 1/10W	C1048	1-164-156-11	CERAMIC CHIP 0.1UF	25V
R9667	1-216-850-11	METAL CHIP	270K 5% 1/10W	C1049	1-164-156-11	CERAMIC CHIP 0.1UF	25V
R9668	1-216-853-11	METAL CHIP	470K 5% 1/10W	C1050	1-162-927-11	CERAMIC CHIP 100PF	5.00% 50V
R9669	1-216-853-11	METAL CHIP	470K 5% 1/10W	C1051	1-126-390-11	ELECT CHIP 22UF	20.00% 6.3V
R9670	1-216-829-11	METAL CHIP	4.7K 5% 1/10W				



REF.NO.	PART.NO	DESCRIPTION	REMARK	REF.NO.	PART.NO	DESCRIPTION	REMARK
C1054	1-162-927-11	CERAMIC CHIP 100PF	5.00% 50V	C5049	1-100-566-91	CERAMIC CHIP 0.1UF	10.00% 25V
C1055	1-162-927-11	CERAMIC CHIP 100PF	5.00% 50V	C5050	1-124-779-00	ELECT CHIP 10UF	20.00% 16V
C1060	1-164-842-11	CERAMIC CHIP 2PF	0.25PF 50V	C5051	1-100-566-91	CERAMIC CHIP 0.1UF	10.00% 25V
C1062	1-164-842-11	CERAMIC CHIP 2PF	0.25PF 50V	C5052	1-100-566-91	CERAMIC CHIP 0.1UF	10.00% 25V
C1063	1-126-205-11	ELECT CHIP 47UF	20.00% 6.3V	C5053	1-162-970-11	CERAMIC CHIP 0.01UF	10.00% 25V
C1064	1-125-777-11	CERAMIC CHIP 0.1UF	10.00% 10V	C5054	1-162-964-11	CERAMIC CHIP 0.001UF	10.00% 50V
C1065	1-115-456-21	DOUBLE LAYER 0.22F	5.5V	C5055	1-162-970-11	CERAMIC CHIP 0.01UF	10.00% 25V
C5000	1-100-566-91	CERAMIC CHIP 0.1UF	10.00% 25V	C5056	1-162-962-11	CERAMIC CHIP 470PF	10.00% 50V
C5001	1-124-779-00	ELECT CHIP 10UF	20.00% 16V	C5057	1-162-970-11	CERAMIC CHIP 0.01UF	10.00% 25V
C5003	1-124-779-00	ELECT CHIP 10UF	20.00% 16V	C5058	1-100-566-91	CERAMIC CHIP 0.1UF	10.00% 25V
C5004	1-124-779-00	ELECT CHIP 10UF	20.00% 16V	C5059	1-100-566-91	CERAMIC CHIP 0.1UF	10.00% 25V
C5005	1-124-779-00	ELECT CHIP 10UF	20.00% 16V	C5060	1-100-566-91	CERAMIC CHIP 0.1UF	10.00% 25V
C5006	1-100-566-91	CERAMIC CHIP 0.1UF	10.00% 25V	C5061	1-100-566-91	CERAMIC CHIP 0.1UF	10.00% 25V
C5007	1-100-566-91	CERAMIC CHIP 0.1UF	10.00% 25V	C5062	1-100-566-91	CERAMIC CHIP 0.1UF	10.00% 25V
C5009	1-100-566-91	CERAMIC CHIP 0.1UF	10.00% 25V	C5063	1-100-566-91	CERAMIC CHIP 0.1UF	10.00% 25V
C5010	1-100-566-91	CERAMIC CHIP 0.1UF	10.00% 25V	C5064	1-100-566-91	CERAMIC CHIP 0.1UF	10.00% 25V
C5012	1-100-566-91	CERAMIC CHIP 0.1UF	10.00% 25V	C5065	1-100-566-91	CERAMIC CHIP 0.1UF	10.00% 25V
C5013	1-100-566-91	CERAMIC CHIP 0.1UF	10.00% 25V	C5066	1-100-566-91	CERAMIC CHIP 0.1UF	10.00% 25V
C5014	1-100-566-91	CERAMIC CHIP 0.1UF	10.00% 25V	C5067	1-100-566-91	CERAMIC CHIP 0.1UF	10.00% 25V
C5015	1-100-566-91	CERAMIC CHIP 0.1UF	10.00% 25V	C5068	1-100-566-91	CERAMIC CHIP 0.1UF	10.00% 25V
C5017	1-100-566-91	CERAMIC CHIP 0.1UF	10.00% 25V	C5069	1-124-779-00	ELECT CHIP 10UF	20.00% 16V
C5018	1-100-566-91	CERAMIC CHIP 0.1UF	10.00% 25V	C5070	1-162-964-11	CERAMIC CHIP 0.001UF	10.00% 50V
C5019	1-100-566-91	CERAMIC CHIP 0.1UF	10.00% 25V	C5071	1-162-964-11	CERAMIC CHIP 0.001UF	10.00% 50V
C5020	1-100-566-91	CERAMIC CHIP 0.1UF	10.00% 25V	C5072	1-162-964-11	CERAMIC CHIP 0.001UF	10.00% 50V
C5021	1-100-566-91	CERAMIC CHIP 0.1UF	10.00% 25V	C5073	1-162-964-11	CERAMIC CHIP 0.001UF	10.00% 50V
C5022	1-100-566-91	CERAMIC CHIP 0.1UF	10.00% 25V	C5074	1-162-964-11	CERAMIC CHIP 0.001UF	10.00% 50V
C5024	1-100-566-91	CERAMIC CHIP 0.1UF	10.00% 25V	C5075	1-162-964-11	CERAMIC CHIP 0.001UF	10.00% 50V
C5026	1-100-566-91	CERAMIC CHIP 0.1UF	10.00% 25V	C5076	1-162-964-11	CERAMIC CHIP 0.001UF	10.00% 50V
C5027	1-100-566-91	CERAMIC CHIP 0.1UF	10.00% 25V	C5077	1-162-964-11	CERAMIC CHIP 0.001UF	10.00% 50V
C5028	1-100-566-91	CERAMIC CHIP 0.1UF	10.00% 25V	C5078	1-162-964-11	CERAMIC CHIP 0.001UF	10.00% 50V
C5029	1-124-779-00	ELECT CHIP 10UF	20.00% 16V	C5079	1-162-962-11	CERAMIC CHIP 470PF	10.00% 50V
C5030	1-124-779-00	ELECT CHIP 10UF	20.00% 16V	C5080	1-162-962-11	CERAMIC CHIP 470PF	10.00% 50V
C5031	1-100-566-91	CERAMIC CHIP 0.1UF	10.00% 25V	C5081	1-100-566-91	CERAMIC CHIP 0.1UF	10.00% 25V
C5032	1-100-566-91	CERAMIC CHIP 0.1UF	10.00% 25V	C5082	1-100-566-91	CERAMIC CHIP 0.1UF	10.00% 25V
C5033	1-100-566-91	CERAMIC CHIP 0.1UF	10.00% 25V	C5083	1-100-566-91	CERAMIC CHIP 0.1UF	10.00% 25V
C5034	1-100-566-91	CERAMIC CHIP 0.1UF	10.00% 25V	C5084	1-100-566-91	CERAMIC CHIP 0.1UF	10.00% 25V
C5035	1-100-566-91	CERAMIC CHIP 0.1UF	10.00% 25V	C5085	1-100-566-91	CERAMIC CHIP 0.1UF	10.00% 25V
C5036	1-100-566-91	CERAMIC CHIP 0.1UF	10.00% 25V	C5086	1-100-566-91	CERAMIC CHIP 0.1UF	10.00% 25V
C5037	1-100-566-91	CERAMIC CHIP 0.1UF	10.00% 25V	C5087	1-100-566-91	CERAMIC CHIP 0.1UF	10.00% 25V
C5038	1-162-918-11	CERAMIC CHIP 18PF	5.00% 50V	C5088	1-100-566-91	CERAMIC CHIP 0.1UF	10.00% 25V
C5039	1-124-779-00	ELECT CHIP 10UF	20.00% 16V	C5089	1-100-566-91	CERAMIC CHIP 0.1UF	10.00% 25V
C5040	1-124-779-00	ELECT CHIP 10UF	20.00% 16V	C5090	1-100-566-91	CERAMIC CHIP 0.1UF	10.00% 25V
C5041	1-100-566-91	CERAMIC CHIP 0.1UF	10.00% 25V	C5091	1-100-566-91	CERAMIC CHIP 0.1UF	10.00% 25V
C5042	1-162-966-11	CERAMIC CHIP 0.0022UF	10.00% 50V	C5092	1-100-566-91	CERAMIC CHIP 0.1UF	10.00% 25V
C5043	1-100-566-91	CERAMIC CHIP 0.1UF	10.00% 25V	C5093	1-100-566-91	CERAMIC CHIP 0.1UF	10.00% 25V
C5044	1-162-917-11	CERAMIC CHIP 15PF	5.00% 50V	C5094	1-100-566-91	CERAMIC CHIP 0.1UF	10.00% 25V
C5045	1-162-966-11	CERAMIC CHIP 0.0022UF	10.00% 50V	C5095	1-100-566-91	CERAMIC CHIP 0.1UF	10.00% 25V
C5046	1-100-566-91	CERAMIC CHIP 0.1UF	10.00% 25V	C5096	1-100-566-91	CERAMIC CHIP 0.1UF	10.00% 25V
C5047	1-100-566-91	CERAMIC CHIP 0.1UF	10.00% 25V	C5097	1-100-566-91	CERAMIC CHIP 0.1UF	10.00% 25V
C5048	1-100-566-91	CERAMIC CHIP 0.1UF	10.00% 25V	C5100	1-162-964-11	CERAMIC CHIP 0.001UF	10.00% 50V

Note : The components identified by shading and marked Δ are critical for safety. Replace only with the part numbers specified in the parts list.

BE

REF.NO.	PART.NO	DESCRIPTION	REMARK	REF.NO.	PART.NO	DESCRIPTION	REMARK
CN5000	*1-818-656-21	HEADER ASSEMBLY 30P		FL5500	1-234-177-21	FERRITE	0UH
CN5400	1-794-930-21	CONNECTOR, D SUB		FL5501	1-234-177-21	FERRITE	0UH
CN5402	1-573-806-21	PIN, CONNECTOR (1.5MM) (SMD) 6P				< IC >	
CN5404	1-695-209-21	PIN, CONNECTOR (PC BOARD) 15P					
CN5405	1-784-254-11	CONNECTOR 10P					
		< DIODE >					
D1000	8-719-066-10	DIODE 1PS181-115		IC1000	6-704-117-01	IC S-1111B33MC-NYSTFG	
D1010	8-719-036-94	DIODE RD5.6SB-T1		IC1001	6-706-640-01	IC BH25FB1WG-TR	
D1011	8-719-036-94	DIODE RD5.6SB-T1		IC1002	1-540-151-21	SOCKET, IC	
D1050	8-719-041-97	DIODE MA113-(TX)		IC1003	6-706-232-01	IC SDA5550M-QB-T	
D5400	8-719-073-39	DIODE HZU5.6GTRF		IC1004	8-759-476-80	IC LM75CIMX-3	
D5401	8-719-073-39	DIODE HZU5.6GTRF		IC1005	6-704-573-01	IC M24C32-WMN6T(B)	
D5402	8-719-073-39	DIODE HZU5.6GTRF		IC1006	6-702-313-01	IC PST600IMT	
D5405	8-719-801-78	DIODE 1SS184		IC1007	6-700-108-01	IC RV5C387A-E2-FB	
D5701	8-719-073-34	DIODE EC21QS03L-TE12L		IC1010	6-706-419-01	IC LM393DT (A)	
D5703	8-719-073-34	DIODE EC21QS03L-TE12L		IC5000	6-708-533-01	IC SVPEX-SREVB	
D5704	6-500-020-01	DIODE MM3Z4V3ST1		IC5400	6-704-600-01	IC M24C02-WMN6T(B)	
D5705	6-500-020-01	DIODE MM3Z4V3ST1		IC5500	6-708-183-01	IC K4D263238G-VC36T	
D7400	8-719-421-67	DIODE MA132WK		IC5700	6-704-407-01	IC PQ1CZ41H2ZPH	
D7401	8-719-421-67	DIODE MA132WK		IC5701	6-704-407-01	IC PQ1CZ41H2ZPH	
D7402	8-719-066-10	DIODE 1PS181-115		IC5720	8-759-832-05	IC BA18BC0FP-E2	
D7403	8-719-081-97	DIODE MMDL914T1		IC5721	8-759-832-05	IC BA18BC0FP-E2	
D7405	8-719-081-97	DIODE MMDL914T1		IC5722	6-700-394-01	IC BA25BC0FP-E2	
D7406	8-719-081-97	DIODE MMDL914T1		IC5740	8-759-533-85	IC L88M05T-FA-TL	
D7407	8-719-421-59	DIODE MA3130WA-TX		IC7400	8-759-679-54	IC SN74LVC14APWR	
D7408	8-719-421-59	DIODE MA3130WA-TX		IC7401	8-759-646-02	IC M52347FP-TE	
		< FUSE >		IC7402	8-752-072-94	IC CXA1875AM-T4	
F5701	Δ 1-576-646-11	FUSE	0.5A 50V	IC7403	6-705-950-01	IC K6F2008V2E-LF70000	
		< FERRITE BEAD >		IC7404	8-759-701-01	IC NJM2904M	
FB1000	1-414-760-21	FERRITE	0UH			< COIL >	
FB5400	1-469-100-21	FERRITE	0UH	L1000	1-412-058-11	INDUCTOR	10UH
FB5401	1-469-100-21	FERRITE	0UH	L1001	1-414-394-11	INDUCTOR	2.2UH
FB5402	1-469-100-21	FERRITE	0UH	L5000	1-414-394-11	INDUCTOR	2.2UH
FB5403	1-400-141-22	FERRITE	0UH	L5001	1-414-394-11	INDUCTOR	2.2UH
FB5500	1-400-179-21	INDUCTOR	0UH	L5002	1-414-394-11	INDUCTOR	2.2UH
FB5501	1-400-179-21	INDUCTOR	0UH	L5003	1-414-394-11	INDUCTOR	2.2UH
FB7400	1-414-445-11	FERRITE	0UH	L5004	1-400-179-21	INDUCTOR	0UH
		< FILTER >		L5005	1-400-179-21	INDUCTOR	0UH
FL5000	1-234-177-21	FERRITE	0UH	L5006	1-216-801-11	METAL CHIP	22 5% 1/10W
FL5001	1-234-177-21	FERRITE	0UH	L5007	1-216-801-11	METAL CHIP	22 5% 1/10W
FL5002	1-234-177-21	FERRITE	0UH	L5008	1-456-984-11	INDUCTOR	0UH
FL5003	1-234-177-21	FERRITE	0UH	L5009	1-456-984-11	INDUCTOR	0UH
FL5004	1-234-177-21	FERRITE	0UH	L5010	1-400-179-21	INDUCTOR	0UH
FL5005	1-234-177-21	FERRITE	0UH	L5011	1-400-180-21	INDUCTOR	0UH
FL5006	1-234-177-21	FERRITE	0UH	L5012	1-456-984-11	INDUCTOR	0UH
FL5007	1-234-177-21	FERRITE	0UH	L5013	1-456-984-11	INDUCTOR	0UH
				L5014	1-456-984-11	INDUCTOR	0UH
				L5015	1-400-179-21	INDUCTOR	0UH
				L5700	1-409-529-41	INDUCTOR	10UH
				L5701	1-456-786-21	INDUCTOR	47UH

Note : The components identified by shading and marked Δ are critical for safety. Replace only with the part numbers specified in the parts list.

BE

REF.NO.	PART.NO	DESCRIPTION	REMARK	REF.NO.	PART.NO	DESCRIPTION	REMARK
L5702	1-456-786-21	INDUCTOR	47UH	R1036	1-216-809-11	METAL CHIP	100 5% 1/10W
L5729	1-400-784-21	INDUCTOR	4.7UH	R1037	1-216-809-11	METAL CHIP	100 5% 1/10W
< PROTECTOR MODULE >				R1038	1-216-809-11	METAL CHIP	100 5% 1/10W
PS5700	Δ 1-533-652-41	IC LINK	2A 24V	R1039	1-218-953-11	RES-CHIP	1K 5% 1/16W
< TRANSISTOR >				R1040	1-216-809-11	METAL CHIP	100 5% 1/10W
Q1001	8-729-010-05	TRANSISTOR	MSB709-RT1	R1041	1-216-809-11	METAL CHIP	100 5% 1/10W
Q1011	8-729-045-62	TRANSISTOR	2SK2158-T2B	R1042	1-218-990-81	SHORT CHIP	0
Q1012	8-729-045-62	TRANSISTOR	2SK2158-T2B	R1043	1-218-990-81	SHORT CHIP	0
Q5700	8-729-046-04	TRANSISTOR	FDS6690A	R1044	1-218-990-81	SHORT CHIP	0
Q7401	8-729-927-99	TRANSISTOR	2SC4617R	R1045	1-218-953-11	RES-CHIP	1K 5% 1/16W
Q7402	8-729-927-99	TRANSISTOR	2SC4617R	R1046	1-218-990-81	SHORT CHIP	0
Q7410	8-729-928-19	TRANSISTOR	2SA1774R	R1047	1-218-990-81	SHORT CHIP	0
Q7412	8-729-028-28	TRANSISTOR	2SK2036 (TE85L)	R1053	1-218-937-11	RES-CHIP	47 5% 1/16W
Q7415	8-729-421-22	TRANSISTOR	UN2211	R1054	1-218-937-11	RES-CHIP	47 5% 1/16W
Q7416	8-729-010-05	TRANSISTOR	MSB709-RT1	R1056	1-216-833-11	METAL CHIP	10K 5% 1/10W
Q7417	8-729-010-05	TRANSISTOR	MSB709-RT1	R1059	1-216-809-11	METAL CHIP	100 5% 1/10W
Q7418	8-729-010-05	TRANSISTOR	MSB709-RT1	R1060	1-218-965-11	RES-CHIP	10K 5% 1/16W
Q7419	8-729-927-99	TRANSISTOR	2SC4617R	R1062	1-218-965-11	RES-CHIP	10K 5% 1/16W
Q7420	8-729-028-28	TRANSISTOR	2SK2036 (TE85L)	R1063	1-216-809-11	METAL CHIP	100 5% 1/10W
Q7421	8-729-028-73	TRANSISTOR	DTA114EUA-T106	R1064	1-216-809-11	METAL CHIP	100 5% 1/10W
Q7422	8-729-028-28	TRANSISTOR	2SK2036 (TE85L)	R1065	1-216-809-11	METAL CHIP	100 5% 1/10W
< RESISTOR >				R1066	1-218-990-81	SHORT CHIP	0
R1001	1-216-809-11	METAL CHIP	100 5% 1/10W	R1068	1-218-965-11	RES-CHIP	10K 5% 1/16W
R1002	1-218-990-81	SHORT CHIP	0	R1069	1-218-965-11	RES-CHIP	10K 5% 1/16W
R1003	1-218-990-81	SHORT CHIP	0	R1073	1-218-965-11	RES-CHIP	10K 5% 1/16W
R1004	1-216-864-11	SHORT CHIP	0	R1075	1-216-813-11	METAL CHIP	220 5% 1/10W
R1005	1-216-864-11	SHORT CHIP	0	R1076	1-218-965-11	RES-CHIP	10K 5% 1/16W
R1009	1-218-990-81	SHORT CHIP	0	R1082	1-218-990-81	SHORT CHIP	0
R1010	1-218-990-81	SHORT CHIP	0	R1083	1-218-965-11	RES-CHIP	10K 5% 1/16W
R1011	1-218-990-81	SHORT CHIP	0	R1102	1-218-990-81	SHORT CHIP	0
R1012	1-218-990-81	SHORT CHIP	0	R1103	1-218-990-81	SHORT CHIP	0
R1013	1-218-990-81	SHORT CHIP	0	R1104	1-218-990-81	SHORT CHIP	0
R1014	1-218-990-81	SHORT CHIP	0	R1105	1-218-990-81	SHORT CHIP	0
R1015	1-218-990-81	SHORT CHIP	0	R1106	1-218-990-81	SHORT CHIP	0
R1016	1-218-990-81	SHORT CHIP	0	R1107	1-218-990-81	SHORT CHIP	0
R1017	1-218-990-81	SHORT CHIP	0	R1108	1-218-990-81	SHORT CHIP	0
R1019	1-218-973-11	RES-CHIP	47K 5% 1/16W	R1109	1-218-990-81	SHORT CHIP	0
R1020	1-218-973-11	RES-CHIP	47K 5% 1/16W	R1110	1-218-990-81	SHORT CHIP	0
R1021	1-218-973-11	RES-CHIP	47K 5% 1/16W	R1111	1-218-990-81	SHORT CHIP	0
R1027	1-218-990-81	SHORT CHIP	0	R1112	1-218-990-81	SHORT CHIP	0
R1028	1-216-809-11	METAL CHIP	100 5% 1/10W	R1115	1-216-864-11	SHORT CHIP	0
R1030	1-216-809-11	METAL CHIP	100 5% 1/10W	R1120	1-216-864-11	SHORT CHIP	0
R1031	1-218-847-11	METAL CHIP	1K 0.5% 1/10W	R1126	1-218-941-81	RES-CHIP	100 5% 1/16W
R1033	1-218-847-11	METAL CHIP	1K 0.5% 1/10W	R1200	1-216-829-11	METAL CHIP	4.7K 5% 1/10W
R1034	1-218-990-81	SHORT CHIP	0	R1201	1-216-829-11	METAL CHIP	4.7K 5% 1/10W
R1035	1-218-853-11	METAL CHIP	1.8K 0.5% 1/10W	R1202	1-218-990-81	SHORT CHIP	0
				R1203	1-216-864-11	SHORT CHIP	0
				R1204	1-218-965-11	RES-CHIP	10K 5% 1/16W
				R1205	1-218-965-11	RES-CHIP	10K 5% 1/16W
				R1206	1-218-965-11	RES-CHIP	10K 5% 1/16W



REF.NO.	PART.NO	DESCRIPTION	REMARK			REF.NO.	PART.NO	DESCRIPTION	REMARK		
R1207	1-218-990-81	SHORT CHIP	0			R5420	1-218-827-11	METAL CHIP	150	0.5%	1/10W
R1208	1-216-864-11	SHORT CHIP	0			R5421	1-218-827-11	METAL CHIP	150	0.5%	1/10W
R1209	1-218-965-11	RES-CHIP	10K	5%	1/16W	R5422	1-216-845-11	METAL CHIP	100K	5%	1/10W
R1215	1-216-864-11	SHORT CHIP	0			R5424	1-216-864-11	SHORT CHIP	0		
R1218	1-216-864-11	SHORT CHIP	0			R5425	1-216-864-11	SHORT CHIP	0		
R1220	1-216-864-11	SHORT CHIP	0			R5426	1-216-864-11	SHORT CHIP	0		
R1223	1-216-864-11	SHORT CHIP	0			R5427	1-216-864-11	SHORT CHIP	0		
R1224	1-216-864-11	SHORT CHIP	0			R5428	1-216-864-11	SHORT CHIP	0		
R1231	1-216-864-11	SHORT CHIP	0			R5500	1-218-847-11	METAL CHIP	1K	0.5%	1/10W
R1232	1-216-864-11	SHORT CHIP	0			R5501	1-218-847-11	METAL CHIP	1K	0.5%	1/10W
R1250	1-218-990-81	SHORT CHIP	0			R5502	1-211-986-11	METAL CHIP	51	0.5%	1/10W
R5000	1-216-864-11	SHORT CHIP	0			R5503	1-211-986-11	METAL CHIP	51	0.5%	1/10W
R5001	1-216-864-11	SHORT CHIP	0			R5504	1-218-933-11	RES-CHIP	22	5%	1/16W
R5002	1-216-864-11	SHORT CHIP	0			R5505	1-218-933-11	RES-CHIP	22	5%	1/16W
R5003	1-216-821-11	METAL CHIP	1K	5%	1/10W	R5506	1-218-933-11	RES-CHIP	22	5%	1/16W
R5005	1-216-864-11	SHORT CHIP	0			R5507	1-218-933-11	RES-CHIP	22	5%	1/16W
R5007	1-216-864-11	SHORT CHIP	0			R5508	1-218-933-11	RES-CHIP	22	5%	1/16W
R5008	1-216-864-11	SHORT CHIP	0			R5509	1-218-933-11	RES-CHIP	22	5%	1/16W
R5009	1-216-864-11	SHORT CHIP	0			R5510	1-218-990-81	SHORT CHIP	0		
R5010	1-216-821-11	METAL CHIP	1K	5%	1/10W	R5511	1-218-990-81	SHORT CHIP	0		
R5012	1-216-829-11	METAL CHIP	4.7K	5%	1/10W	R5512	1-218-933-11	RES-CHIP	22	5%	1/16W
R5013	1-216-864-11	SHORT CHIP	0			R5513	1-218-933-11	RES-CHIP	22	5%	1/16W
R5015	1-216-864-11	SHORT CHIP	0			R5514	1-218-933-11	RES-CHIP	22	5%	1/16W
R5016	1-216-864-11	SHORT CHIP	0			R5515	1-218-933-11	RES-CHIP	22	5%	1/16W
R5017	1-216-821-11	METAL CHIP	1K	5%	1/10W	R5516	1-218-933-11	RES-CHIP	22	5%	1/16W
R5018	1-218-990-81	SHORT CHIP	0			R5700	1-216-821-11	METAL CHIP	1K	5%	1/10W
R5022	1-216-864-11	SHORT CHIP	0			R5703	1-216-295-91	SHORT CHIP	0		
R5023	1-216-864-11	SHORT CHIP	0			R5704	1-216-841-11	METAL CHIP	47K	5%	1/10W
R5032	1-218-933-11	RES-CHIP	22	5%	1/16W	R5705	1-216-295-91	SHORT CHIP	0		
R5033	1-218-933-11	RES-CHIP	22	5%	1/16W	R5706	1-216-295-91	SHORT CHIP	0		
R5034	1-218-990-81	SHORT CHIP	0			R5707	1-216-841-11	METAL CHIP	47K	5%	1/10W
R5035	1-216-295-91	SHORT CHIP	0			R5708	1-216-295-91	SHORT CHIP	0		
R5036	1-216-295-91	SHORT CHIP	0			R5709	1-216-295-91	SHORT CHIP	0		
R5037	1-216-864-11	SHORT CHIP	0			R5710	1-218-855-11	METAL CHIP	2.2K	0.5%	1/10W
R5038	1-216-864-11	SHORT CHIP	0			R5711	1-218-853-11	METAL CHIP	1.8K	0.5%	1/10W
R5039	1-216-864-11	SHORT CHIP	0			R5712	1-216-295-91	SHORT CHIP	0		
R5040	1-216-864-11	SHORT CHIP	0			R5714	1-218-855-11	METAL CHIP	2.2K	0.5%	1/10W
R5041	1-216-864-11	SHORT CHIP	0			R5715	1-218-855-11	METAL CHIP	2.2K	0.5%	1/10W
R5043	1-216-841-11	METAL CHIP	47K	5%	1/10W	R5716	1-218-855-11	METAL CHIP	2.2K	0.5%	1/10W
R5400	1-216-805-11	METAL CHIP	47	5%	1/10W	R5717	1-216-295-91	SHORT CHIP	0		
R5404	1-216-805-11	METAL CHIP	47	5%	1/10W	R5718	1-216-295-91	SHORT CHIP	0		
R5409	1-216-833-11	METAL CHIP	10K	5%	1/10W	R5719	1-216-295-91	SHORT CHIP	0		
R5410	1-216-833-11	METAL CHIP	10K	5%	1/10W	R5720	1-216-295-91	SHORT CHIP	0		
R5411	1-216-805-11	METAL CHIP	47	5%	1/10W	R5721	1-216-295-91	SHORT CHIP	0		
R5412	1-216-805-11	METAL CHIP	47	5%	1/10W	R5722	1-216-295-91	SHORT CHIP	0		
R5413	1-218-827-11	METAL CHIP	150	0.5%	1/10W	R5723	1-216-295-91	SHORT CHIP	0		
R5414	1-218-827-11	METAL CHIP	150	0.5%	1/10W	R5724	1-216-295-91	SHORT CHIP	0		
R5417	1-218-827-11	METAL CHIP	150	0.5%	1/10W	R5725	1-216-295-91	SHORT CHIP	0		
R5418	1-218-827-11	METAL CHIP	150	0.5%	1/10W	R5726	1-216-295-91	SHORT CHIP	0		
R5419	1-216-821-11	METAL CHIP	1K	5%	1/10W	R5727	1-216-295-91	SHORT CHIP	0		



REF.NO.	PART.NO	DESCRIPTION	REMARK			REF.NO.	PART.NO	DESCRIPTION	REMARK		
R5728	1-216-295-91	SHORT CHIP	0			R7489	1-218-990-81	SHORT CHIP	0		
R5729	1-216-821-11	METAL CHIP	1K	5%	1/10W	R7490	1-218-990-81	SHORT CHIP	0		
R5730	1-216-295-91	SHORT CHIP	0			R7491	1-218-990-81	SHORT CHIP	0		
R5731	1-216-295-91	SHORT CHIP	0			R7492	1-218-965-11	RES-CHIP	10K	5%	1/16W
R5732	1-218-863-11	METAL CHIP	4.7K	0.5%	1/10W	R7493	1-218-965-11	RES-CHIP	10K	5%	1/16W
R5733	1-216-821-11	METAL CHIP	1K	5%	1/10W	R7494	1-218-965-11	RES-CHIP	10K	5%	1/16W
R5740	1-216-295-91	SHORT CHIP	0			R7495	1-216-841-11	METAL CHIP	47K	5%	1/10W
R5742	1-216-295-91	SHORT CHIP	0			R7496	1-218-965-11	RES-CHIP	10K	5%	1/16W
R7400	1-208-713-11	METAL CHIP	18K	0.5%	1/16W	R7497	1-218-965-11	RES-CHIP	10K	5%	1/16W
R7401	1-208-715-11	METAL CHIP	22K	0.5%	1/16W	R7499	1-218-965-11	RES-CHIP	10K	5%	1/16W
R7402	1-218-949-11	RES-CHIP	470	5%	1/16W	R7504	1-216-809-11	METAL CHIP	100	5%	1/10W
R7403	1-208-715-11	METAL CHIP	22K	0.5%	1/16W	R7505	1-216-809-11	METAL CHIP	100	5%	1/10W
R7404	1-208-713-11	METAL CHIP	18K	0.5%	1/16W	R7506	1-216-809-11	METAL CHIP	100	5%	1/10W
R7407	1-218-949-11	RES-CHIP	470	5%	1/16W	R7507	1-216-809-11	METAL CHIP	100	5%	1/10W
R7410	1-218-933-11	RES-CHIP	22	5%	1/16W	R7509	1-216-809-11	METAL CHIP	100	5%	1/10W
R7411	1-218-933-11	RES-CHIP	22	5%	1/16W	R7510	1-216-809-11	METAL CHIP	100	5%	1/10W
R7413	1-218-949-11	RES-CHIP	470	5%	1/16W	R7511	1-216-809-11	METAL CHIP	100	5%	1/10W
R7417	1-218-973-11	RES-CHIP	47K	5%	1/16W	R7512	1-216-809-11	METAL CHIP	100	5%	1/10W
R7418	1-218-965-11	RES-CHIP	10K	5%	1/16W	R7514	1-218-990-81	SHORT CHIP	0		
R7420	1-218-955-11	RES-CHIP	1.5K	5%	1/16W	R7515	1-218-990-81	SHORT CHIP	0		
R7424	1-218-937-11	RES-CHIP	47	5%	1/16W	R7516	1-218-990-81	SHORT CHIP	0		
R7432	1-218-990-81	SHORT CHIP	0			R7517	1-218-990-81	SHORT CHIP	0		
R7433	1-218-953-11	RES-CHIP	1K	5%	1/16W	R7518	1-218-990-81	SHORT CHIP	0		
R7435	1-208-931-11	METAL CHIP	68K	0.5%	1/16W	R7519	1-218-990-81	SHORT CHIP	0		
R7436	1-218-953-11	RES-CHIP	1K	5%	1/16W	R7520	1-216-864-11	SHORT CHIP	0		
R7439	1-218-990-81	SHORT CHIP	0			R7521	1-218-990-81	SHORT CHIP	0		
R7440	1-218-990-81	SHORT CHIP	0			R7522	1-218-990-81	SHORT CHIP	0		
R7443	1-218-990-81	SHORT CHIP	0			R7523	1-218-990-81	SHORT CHIP	0		
R7444	1-218-990-81	SHORT CHIP	0			R7524	1-218-990-81	SHORT CHIP	0		
R7445	1-208-699-11	METAL CHIP	4.7K	0.5%	1/16W	R7525	1-216-829-11	METAL CHIP	4.7K	5%	1/10W
R7446	1-218-965-11	RES-CHIP	10K	5%	1/16W	R7526	1-216-817-11	METAL CHIP	470	5%	1/10W
R7447	1-218-965-11	RES-CHIP	10K	5%	1/16W	R7527	1-216-825-11	METAL CHIP	2.2K	5%	1/10W
R7448	1-218-990-81	SHORT CHIP	0			R7528	1-216-830-11	METAL CHIP	5.6K	5%	1/10W
R7449	1-218-953-11	RES-CHIP	1K	5%	1/16W	R7529	1-218-990-81	SHORT CHIP	0		
R7450	1-208-927-11	METAL CHIP	47K	0.5%	1/16W	R7531	1-218-990-81	SHORT CHIP	0		
R7455	1-218-990-81	SHORT CHIP	0			R7532	1-218-990-81	SHORT CHIP	0		
R7456	1-208-691-11	METAL CHIP	2.2K	0.5%	1/16W	R7533	1-218-990-81	SHORT CHIP	0		
R7459	1-208-691-11	METAL CHIP	2.2K	0.5%	1/16W	R7534	1-218-990-81	SHORT CHIP	0		
R7460	1-218-849-11	METAL CHIP	1.2K	0.5%	1/10W	R7535	1-218-990-81	SHORT CHIP	0		
R7461	1-208-683-11	METAL CHIP	1K	0.5%	1/16W	R7537	1-218-990-81	SHORT CHIP	0		
R7469	1-218-849-11	METAL CHIP	1.2K	0.5%	1/10W	R7538	1-218-990-81	SHORT CHIP	0		
R7474	1-216-864-11	SHORT CHIP	0			R7541	1-218-990-81	SHORT CHIP	0		
R7475	1-216-864-11	SHORT CHIP	0			R7542	1-218-990-81	SHORT CHIP	0		
R7476	1-216-864-11	SHORT CHIP	0			R7549	1-208-699-11	METAL CHIP	4.7K	0.5%	1/16W
R7482	1-218-990-81	SHORT CHIP	0			R7550	1-218-990-81	SHORT CHIP	0		
R7484	1-218-990-81	SHORT CHIP	0			R7552	1-216-841-11	METAL CHIP	47K	5%	1/10W
R7485	1-218-990-81	SHORT CHIP	0			R7556	1-216-809-11	METAL CHIP	100	5%	1/10W
R7486	1-218-990-81	SHORT CHIP	0			R7561	1-216-841-11	METAL CHIP	47K	5%	1/10W
R7487	1-218-990-81	SHORT CHIP	0			R7564	1-216-809-11	METAL CHIP	100	5%	1/10W
R7488	1-218-990-81	SHORT CHIP	0			R7565	1-216-829-11	METAL CHIP	4.7K	5%	1/10W

