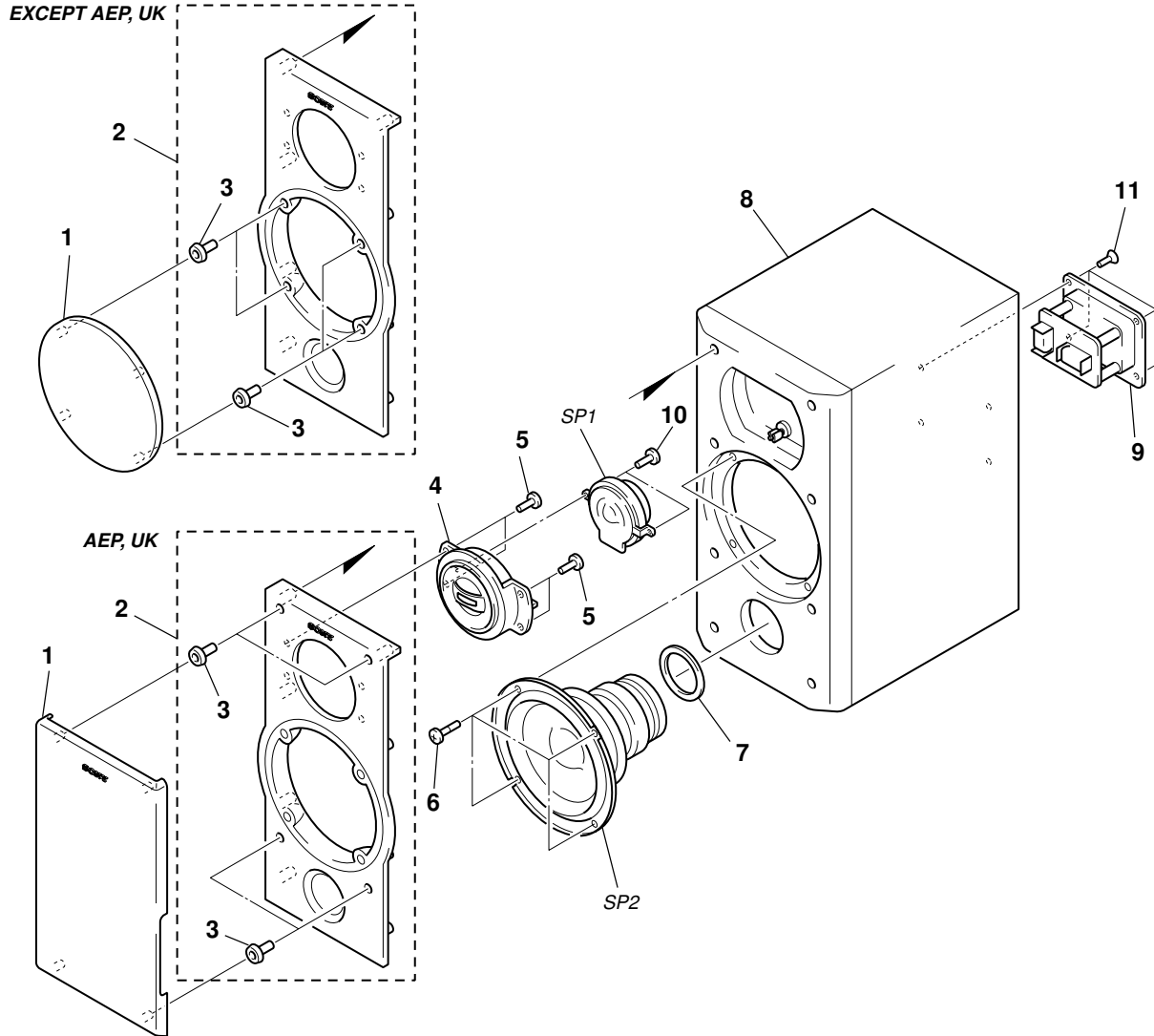


EXPLODED VIEW AND PARTS LIST

NOTE:

- -XX and -X mean standardized parts, so they may have some difference from the original one.
- Items marked "*" are not stocked since they are seldom required for routine service. Some delay should be anticipated when ordering these items.
- The mechanical parts with no reference number in the exploded views are not supplied.



Ref. No.	Part No.	Description	Remark	Ref. No.	Part No.	Description	Remark
1	X-4951-752-1	FRAME ASSY, GRILLE (AEP, UK)		10	7-685-661-11	SCREW +BVTP 4X12 TYPE2 N-S	
1	X-4951-994-1	FRAME ASSY, GRILLE (EXCEPT AEP, UK)		11	4-224-600-01	SCREW (3.5X16), +K TAPPING	
2	X-4951-751-1	PANEL ASSY, FRONT (AEP, UK)		SP1	1-529-439-11	SPEAKER (2.5cm) (TWEETER)	
2	X-4951-993-1	PANEL ASSY, FRONT (EXCEPT AEP, UK)		SP2	1-529-440-11	SPEAKER (16cm) (WOOFER)	
* 3	4-963-075-01	CATCHER		ACCESSORIES & PACKING MATERIALS *****			
4	X-4951-750-1	RING ASSY, TW					
5	4-986-971-01	SCREW (3.5)		1-769-433-21	CORD, SPEAKER (AEP, UK)		
6	4-874-614-61	SCREW +BVTP 3.5X16		3-867-790-11	MANUAL, INSTRUCTION (ENGLISH, FRENCH, GERMAN, SWEDISH, RUSSIAN) (AEP, UK)		
7	4-221-047-01	PACKING					
8	A-4411-715-A	CABINET ASSY, SPEAKER					
9	1-761-223-11	MOUNTED PC BOARD					