

SECTION 6 EXPLODED VIEWS

NOTE:

- XX and -X mean standardized parts, so they may have some difference from the original one.

- Color Indication of Appearance Parts

Example:

KNOB, BALANCE (WHITE) . . . (RED)

↑ ↑
 Parts Color Cabinet's Color

- Abbreviation

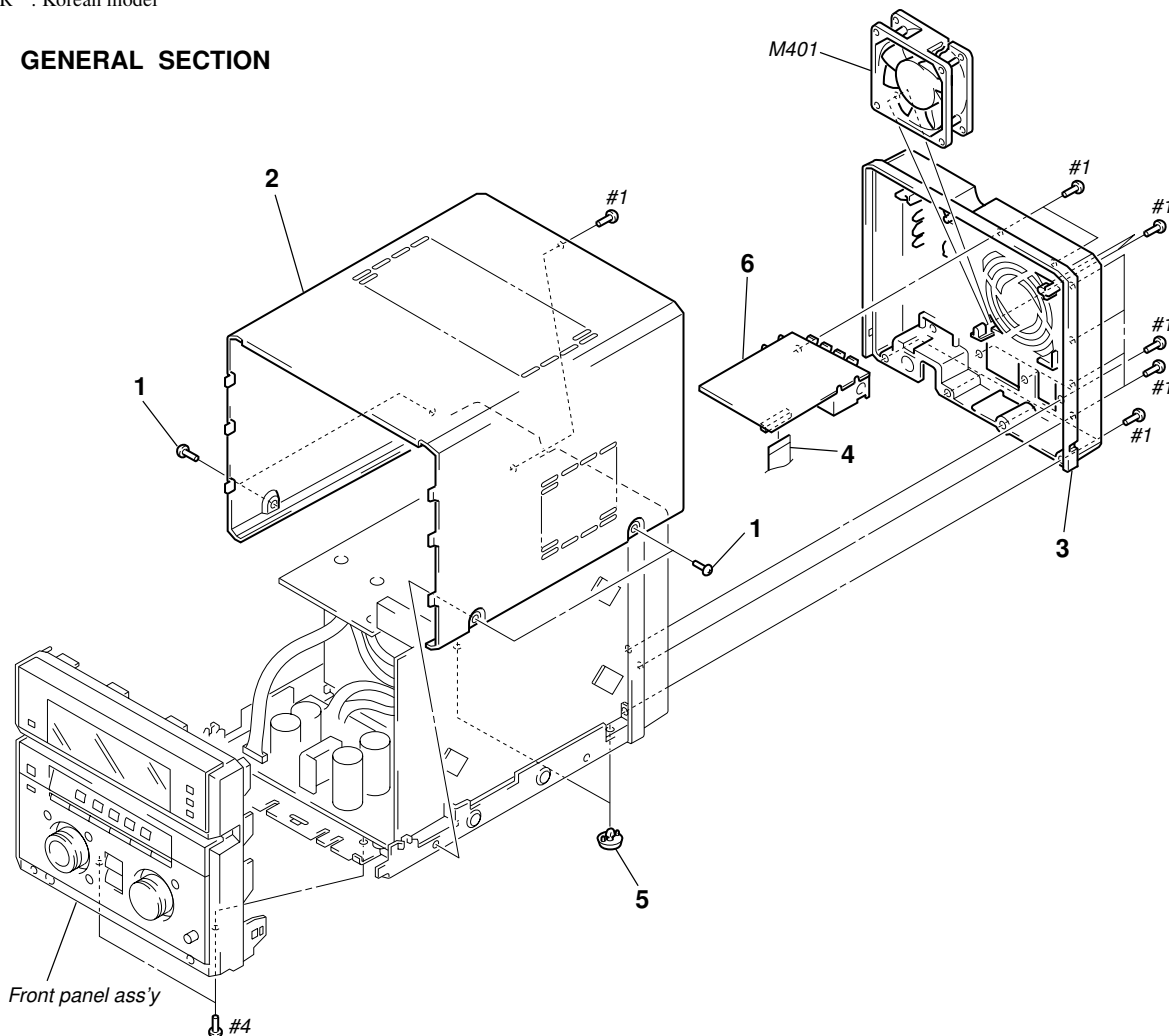
AUS : Australian model	MY : Malaysia model
CND : Canadian model	SP : Singapore model
JE : Tourist model	TH : Thai model
KR : Korean model	

- Items marked “**” are not stocked since they are seldom required for routine service. Some delay should be anticipated when ordering these items.
- The mechanical parts with no reference number in the exploded views are not supplied.
- Hardware (# mark) list is given in the last of the electrical parts list.

The components identified by mark Δ or dotted line with mark Δ are critical for safety. Replace only with part number specified.

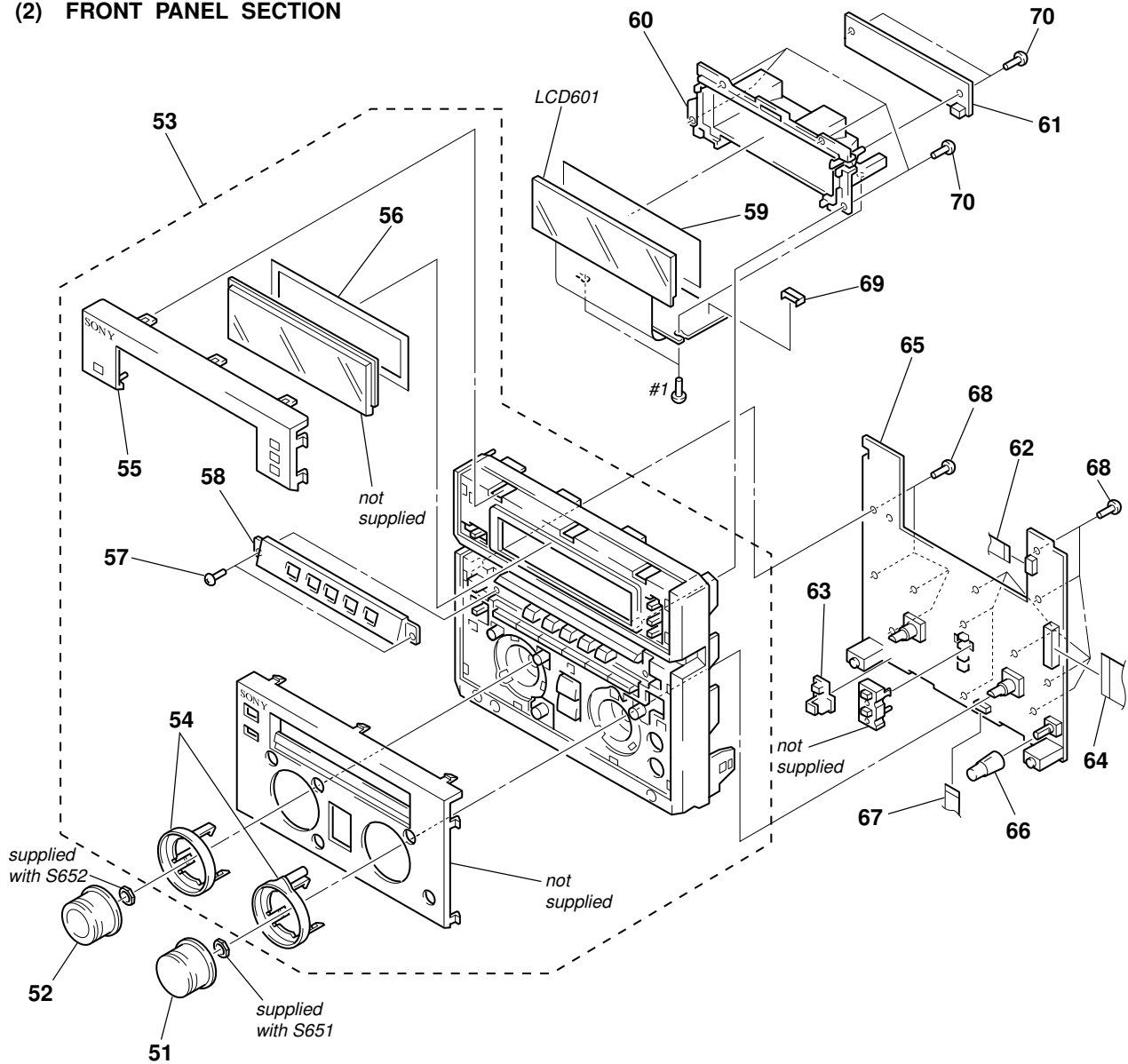
Les composants identifiés par une marque Δ sont critiques pour la sécurité. Ne les remplacer que par une pièce portant le numéro spécifié.

(1) GENERAL SECTION



Ref. No.	Part No.	Description	Remark	Ref. No.	Part No.	Description	Remark
1	3-363-099-11	SCREW (CASE 3 TP2)		4	1-773-011-11	WIRE (FLAT TYPE) (15 CORE)	
2	4-221-365-11	CASE					(AEP, UK, MY, SP, JE)
3	X-4952-291-1	PANEL ASSY, BACK (NX1: AEP, UK, KR)		5	4-965-822-01	FOOT	
3	X-4952-292-1	PANEL ASSY, BACK (NX1: US, CND)		6	1-233-545-11	TUNER PACK (FM/AM) (NX1: TH, KR/NX3: KR, AUS)	
3	X-4952-293-1	PANEL ASSY, BACK (NX1: MY, SP, JE)		6	1-233-546-11	TUNER PACK (FM/MW/SW) (MY, SP)	
3	X-4952-294-1	PANEL ASSY, BACK (NX3: AEP, UK)		6	1-693-443-11	TUNER PACK (FM/AM) (AEP, UK)	
3	X-4952-295-1	PANEL ASSY, BACK (NX3: US, CND)		6	1-693-445-11	TUNER PACK (FM/AM) (US, CND)	
3	X-4952-296-1	PANEL ASSY, BACK (NX3: MY, SP)		6	1-693-465-11	TUNER PACK (FM/MW/SW) (NX1: JE)	
3	X-4952-355-1	PANEL ASSY, BACK (NX1: TH, KR)		M401	1-763-117-11	FAN, DC	
3	X-4952-356-1	PANEL ASSY, BACK (NX3: AUS, KR)					
4	1-751-688-11	WIRE (FLAT TYPE) (13 CORE)					
		(NX1: US, CND, TH, KR/NX3: US, CND, KR, AUS)					

(2) FRONT PANEL SECTION



Ref. No.	Part No.	Description	Remark	Ref. No.	Part No.	Description	Remark
51	X-4951-814-1	KNOB (VOL) ASSY		60	4-221-369-01	HOLDER	
52	X-4951-831-1	JOG ASSY, KNOB		61	1-674-798-11	BACK LIGHT BOARD	
53	X-4951-812-1	PANEL ASSY, FRONT (NX1: AEP, UK)		62	1-769-908-11	WIRE (FLAT TYPE) (9 CORE)	
53	X-4951-815-1	PANEL ASSY, FRONT (NX1: E, JE)		* 63	1-675-197-11	R BOARD	
53	X-4951-816-1	PANEL ASSY, FRONT (NX3: E, AUS)		64	1-773-213-11	WIRE (FLAT TYPE) (25 CORE)	
53	X-4951-817-1	PANEL ASSY, FRONT (NX3: AEP, UK)		65	A-4426-226-A	PANEL BOARD, COMPLETE (NX1: US, CND, AEP, UK)	
53	X-4951-972-1	PANEL ASSY, FRONT (NX1: US, CND)		65	A-4426-249-A	PANEL BOARD, COMPLETE (NX1: MY, SP, KR, JE)	
53	X-4951-973-1	PANEL ASSY, FRONT (NX3: US, CND)		65	A-4426-258-A	PANEL BOARD, COMPLETE (NX3: US, CND, AEP, UK)	
54	4-221-378-01	RING		65	A-4426-275-A	PANEL BOARD, COMPLETE (NX3: E, AUS)	
55	4-221-380-01	PANEL (ST) (NX1: US, CND, AEP, UK)		65	A-4426-927-A	PANEL BOARD, COMPLETE (NX1: TH)	
55	4-221-380-11	PANEL (ST) (NX1: E, JE)		66	4-221-363-01	KNOB, MICROPHONE	
55	4-221-380-21	PANEL (ST) (NX3: US, CND, AEP, UK)		67	1-769-886-11	WIRE (FLAT TYPE) (7 CORE)	
55	4-221-380-31	PANEL (ST) (NX3: E, AUS)		68	4-951-620-01	SCREW (2.6X8), +BVTP	
56	4-224-207-01	TAPE (WINDOW STR), ADHESIVE		69	1-784-731-11	CONNECTOR, FFC 9P	
57	4-951-620-01	SCREW (2.6X8), +BVTP		70	4-951-620-01	SCREW (2.6X8), +BVTP	
58	4-221-377-01	PLATE (TA-HL), ORNAMENTAL (NX1)		LCD601	1-803-738-11	LIQUID CRYSTAL DISPLAY UNIT	
58	4-221-377-11	PLATE (TA-HL), ORNAMENTAL (NX3)					
59	4-221-370-01	SHEET, DIFFUSION					

(3) CHASSIS SECTION

