

SECTION 8 REPAIR PARTS LIST

**RDR-HX520/HX525/HX720/HX722/
HX725/HX727/HX920/HX925**

8-1. EXPLODED VIEWS

NOTE:

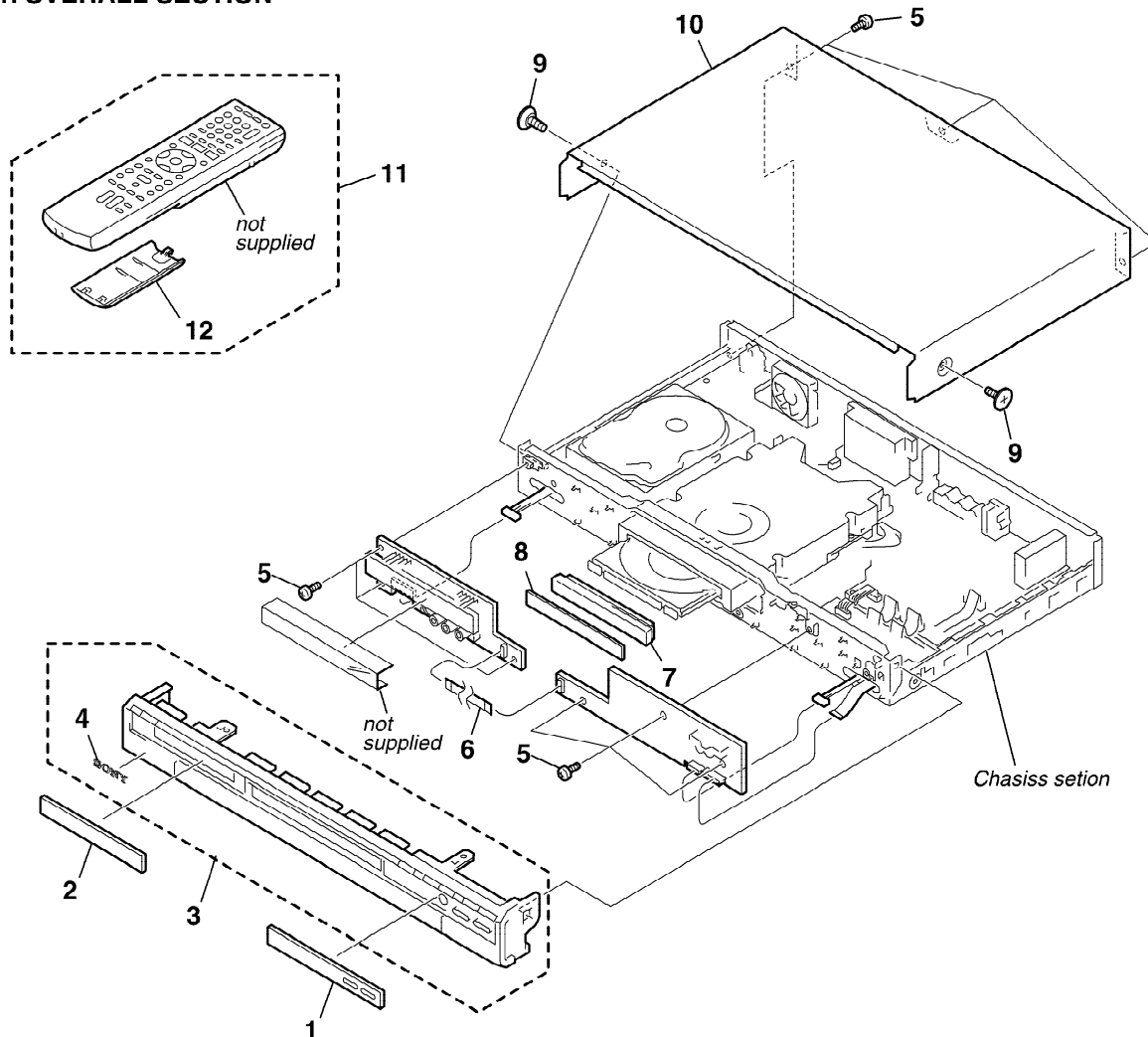
- -XX, -X mean standardized parts, so they may have some differences from the original one.
- Items marked "*" are not stocked since they are seldom required for routine service. Some delay should be anticipated when ordering these items.

- The mechanical parts with no reference number in the exploded views are not supplied.
- Color Indication of Appearance Parts
Example:
KNOB, BALANCE (WHITE) . . . (RED)

The components identified by mark \triangle or dotted line with mark \triangle are critical for safety. Replace only with part number specified.

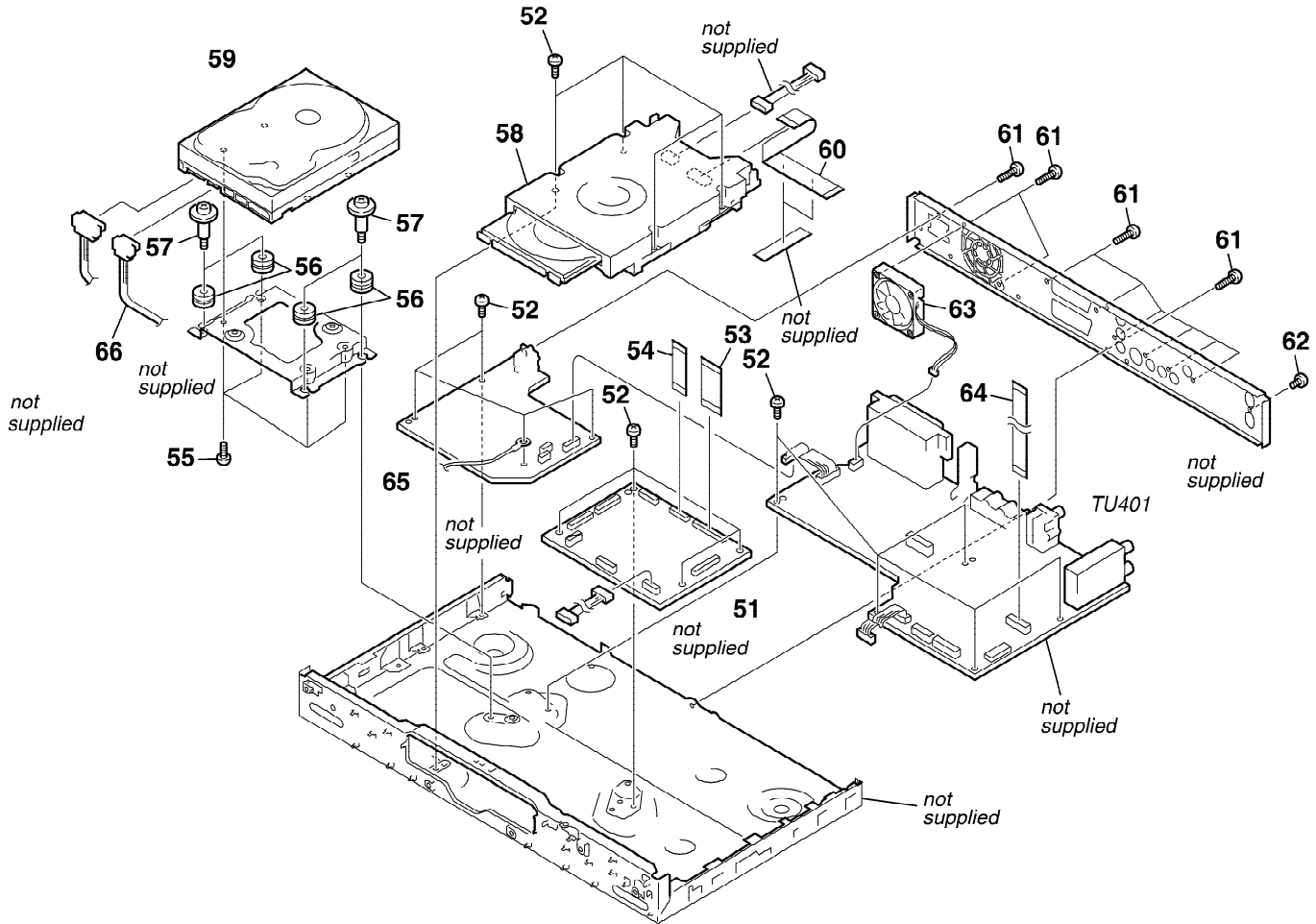
Parts Color Cabinet's Color

8-1-1. OVERALL SECTION



Ref. No.	Part No.	Description	Remarks	Ref. No.	Part No.	Description	Remarks
1	2-658-528-21	WINDOW (R) (HX520/HX525/HX720/HX722/HX725/HX727)		4	3-066-225-11	SONY BADGE (5-A) (SILVER)	
1	2-658-528-41	WINDOW (R) (HX920/HX925)		4	3-066-225-01	SONY BADGE (5-A) (BLACK)	
2	2-658-529-01	WINDOW (L) (HX920/HX925)		5	3-077-331-01	+BV3 (3-CR)	
2	2-658-529-21	WINDOW (L) (HX520/HX525/HX720/HX722/HX725/HX727)		* 6	1-831-413-11	CABLE, FLEXIBLE FLAT (FLR-007)	
3	X-2108-947-1	PANEL ASSY, FRONT (BLACK) (HX725)		7	X-2108-963-1	COVER ASSY, TRAY	
3	X-2108-948-1	PANEL ASSY, FRONT (SILVER) (HX720:AEP)		8	X-2108-958-1	ASSY, WINDOW (TRAY) (HX525/HX720/HX722/HX725/HX727)	
3	X-2108-949-1	PANEL ASSY, FRONT (SILVER) (HX525)		8	X-2108-959-1	ASSY, WINDOW (TRAY) (HX920/HX925)	
3	X-2108-950-1	PANEL ASSY, FRONT (SILVER) (HX725:UK)		9	3-070-883-31	SCREW, TAPPING (BLACK)	
3	X-2108-951-1	PANEL ASSY, FRONT (SILVER) (HX520:AEP)		9	3-070-883-41	SCREW, TAPPING (SILVER)	
3	X-2108-952-1	PANEL ASSY, FRONT (SILVER) (HX727)		10	A-1176-233-A	CASE BLOCK ASSY (SILVER) (SERVICE USE)	
3	X-2109-931-1	PANEL ASSY, FRONT (SILVER) (HX520:UK)		10	A-1176-321-A	CASE BLOCK ASSY (BLACK) (SERVICE USE)	
3	X-2109-932-1	PANEL ASSY, FRONT (SILVER) (HX720:UK)		11	1-479-557-11	REMOTE COMMANDER (RMT-D231P) (HX525/HX725/HX727/HX925)	
3	X-2108-953-1	PANEL ASSY, FRONT (BLACK) (HX720:AEP)		11	1-479-558-11	REMOTE COMMANDER (RMT-D230P) (HX520/HX720/HX722/HX920)	
3	X-2108-954-1	PANEL ASSY, FRONT (SILVER) (HX925)		12	2-658-476-01	COVER, BATTERY	
3	X-2108-955-1	PANEL ASSY, FRONT (SILVER) (HX920)					
3	X-2108-956-1	PANEL ASSY, FRONT (SILVER) (HX722)					
3	X-2108-962-1	PANEL ASSY, FRONT (SILVER) (HX725:AEP)					

8-1-2. CHASSIS SECTION



Ref. No.	Part No.	Description	Remarks	Ref. No.	Part No.	Description	Remarks
51	A-1183-523-A	RD-060 BOARD, COMPLETE (HX520:AEP1,2)		* 54	1-831-511-11	CABLE, FLEXIBLE FLAT (FRA-004) (HX520:AEP3/HX725:AEP3/HX920/HX925)	
51	A-1183-524-A	RD-060 BOARD, COMPLETE (HX525)		55	3-087-675-01	6-32UNCX5	
51	A-1183-525-A	RD-060 BOARD, COMPLETE (HX520:AEP3)		56	3-089-380-01	DAMPER	
51	A-1183-526-A	RD-060 BOARD, COMPLETE (HX725:AEP1)		57	2-159-920-01	SCREW, HDD DAMPER	
51	A-1183-527-A	RD-060 BOARD, COMPLETE (HX725:UK)		△ 58	1-797-413-11	DRIVE, DVD DRW-V35A	
51	A-1183-528-A	RD-060 BOARD, COMPLETE (HX727:AEP1)		59	A-1192-736-A	HDD(SATA-160GB) ASSY (720/722/725/727)	
51	A-1183-530-A	RD-060 BOARD, COMPLETE (HX725:AEP3)		59	A-1192-748-A	HDD(SATA-80GB) ASSY (520/525)	
51	A-1183-531-A	RD-060 BOARD, COMPLETE (HX925)		59	A-1192-749-A	HDD(SATA-250GB) ASSY (920/925)	
51	A-1183-532-A	RD-060 BOARD, COMPLETE (HX920)		60	1-832-951-12	CABLE, FLEXIBLE FLAT (FRD-010)	
51	A-1185-667-A	RD-060 BOARD, COMPLETE (HX720:AEP2)		61	3-077-331-31	+BV3 (3-CR)	
51	A-1185-668-A	RD-060 BOARD, COMPLETE (HX722)		62	3-088-023-01	+B3 (3-CR)	
51	A-1194-638-A	RD-060 BOARD, COMPLETE (HX520:UK)		63	1-787-290-21	FAN, D.C	
51	A-1194-639-A	RD-060 BOARD, COMPLETE (HX720:UK)		* 64	1-831-414-11	CABLE, FLEXIBLE FLAT (FAR-004)	
51	A-1194-640-A	RD-060 BOARD, COMPLETE (HX727:AEP3)		△ 65	1-468-961-11	POWER SUPPLY BLOCK	
52	3-077-331-01	+BV3 (3-CR)		△ TU401	8-597-558-00	TUNER, FSS BTF-DC441 (HX520:AEP1,2,UK/HX525/HX720/HX722/ HX725:AEP1,UK/HX727:AEP1)	
* 53	1-831-411-11	CABLE, FLEXIBLE FLAT (FRA-005)		△ TU401	8-597-559-00	TUNER, FSS BTF-DF441 (HX520:AEP3/HX725:AEP3/HX727:AEP3/HX920/HX925)	
* 54	1-831-410-11	CABLE, FLEXIBLE FLAT (FRA-003) (HX520:AEP1,2,UK/HX525/HX720/ HX722/HX725:AEP1,UK/HX727)		66	1-964-883-13	HARNESS (RH-058)	

Note : The components identified by mark △ or dotted line with mark △ are critical for safety. Replace only with part number specified.

8-2. ELECTRICAL PARTS LIST

NOTE:

- Due to standardization, replacements in the parts list may be different from the parts specified in the diagrams or the components used on the set.
- -XX, -X mean standardized parts, so they may have some difference from the original one.
- Items marked "*" are not stocked since they are seldom required for routine service. Some delay should be anticipated when ordering these items.
- CAPACITORS:
uF: μ F
- RESISTORS
All resistors are in ohms.
METAL: metal film resistor
METAL OXIDE: Metal Oxide-film resistor
F: nonflammable
- COILS
uH: μ H
- SEMICONDUCTORS
In each case, u: μ , for example:
uA...: μ A..., uPA..., μ PA...,
uPB..., μ PB..., uPC..., μ PC...,
uPD..., μ PD...

When indicating parts by reference number, please include the board name.

The components identified by mark Δ or dotted line with mark Δ are critical for safety. Replace only with part number specified.

Ref. No.	Part No.	Description	Remarks	Ref. No.	Part No.	Description	Remarks
	Not supplied	AV-103 BOARD, COMPLETE *****		C326	1-164-230-11	CERAMIC CHIP 220PF 5%	50V
	< CAPACITOR >			C327	1-164-230-11	CERAMIC CHIP 220PF 5%	50V
C105	1-109-982-11	CERAMIC CHIP 1uF 10% 10V (HX520:AEP3/HX725:AEP3/HX727:AEP3/HX920/HX925)		C337	1-107-826-11	CERAMIC CHIP 0.1uF 10%	16V
C106	1-137-710-11	CERAMIC CHIP 10uF 20% 6.3V (HX520:AEP3/HX725:AEP3/HX727:AEP3/HX920/HX925)		C401	1-126-947-11	ELECT 47uF 20%	35V
C114	1-165-908-11	CERAMIC CHIP 1uF 10% 10V		C405	1-115-339-11	CERAMIC CHIP 0.1uF 10%	50V
C117	1-162-927-11	CERAMIC CHIP 100PF 5% 50V		C407	1-126-964-11	ELECT 10uF 20%	50V
C118	1-162-970-11	CERAMIC CHIP 0.01uF 10% 25V		C408	1-107-826-11	CERAMIC CHIP 0.1uF 10%	16V
C119	1-100-591-91	CERAMIC CHIP 1uF 10% 25V		C409	1-115-339-11	CERAMIC CHIP 0.1uF 10%	50V
C120	1-100-591-91	CERAMIC CHIP 1uF 10% 25V		C410	1-126-964-11	ELECT 10uF 20%	50V
C123	1-126-947-11	ELECT 47uF 20% 35V		C414	1-126-947-11	ELECT 47uF 20%	35V
C124	1-128-396-11	ELECT CHIP 470uF 20% 10V		C415	1-126-933-11	ELECT 100uF 20%	16V
C209	1-107-826-11	CERAMIC CHIP 0.1uF 10% 16V		C416	1-107-826-11	CERAMIC CHIP 0.1uF 10%	16V
C210	1-107-826-11	CERAMIC CHIP 0.1uF 10% 16V		C449	1-162-915-11	CERAMIC CHIP 10PF 0.5PF	50V
C211	1-107-826-11	CERAMIC CHIP 0.1uF 10% 16V		C452	1-107-826-11	CERAMIC CHIP 0.1uF 10%	16V
C212	1-107-826-11	CERAMIC CHIP 0.1uF 10% 16V		C453	1-115-416-11	CERAMIC CHIP 0.001uF 5%	25V
C213	1-100-966-91	CERAMIC CHIP 10uF 20% 10V		C454	1-115-416-11	CERAMIC CHIP 0.001uF 5%	25V
C214	1-100-966-91	CERAMIC CHIP 10uF 20% 10V		C455	1-162-919-11	CERAMIC CHIP 22PF 5%	50V
C215	1-100-966-91	CERAMIC CHIP 10uF 20% 10V		C456	1-115-416-11	CERAMIC CHIP 0.001uF 5%	25V
C216	1-100-966-91	CERAMIC CHIP 10uF 20% 10V		C601	1-162-970-11	CERAMIC CHIP 0.01uF 10%	25V
C217	1-162-923-11	CERAMIC CHIP 47PF 5% 50V		C604	1-107-826-11	CERAMIC CHIP 0.1uF 10%	16V
C218	1-162-923-11	CERAMIC CHIP 47PF 5% 50V		C607	1-126-947-11	ELECT 47uF 20%	35V
C301	1-126-947-11	ELECT 47uF 20% 35V		C613	1-162-909-11	CERAMIC CHIP 4PF 0.25PF	50V
C304	1-126-933-11	ELECT 100uF 20% 16V		C614	1-162-909-11	CERAMIC CHIP 4PF 0.25PF	50V
C306	1-104-662-91	ELECT 22uF 20% 25V		C615	1-107-826-11	CERAMIC CHIP 0.1uF 10%	16V
C307	1-115-467-11	CERAMIC CHIP 0.22uF 10% 10V		C616	1-107-826-11	CERAMIC CHIP 0.1uF 10%	16V
C308	1-107-826-11	CERAMIC CHIP 0.1uF 10% 16V		C617	1-107-826-11	CERAMIC CHIP 0.1uF 10%	16V
C309	1-126-947-11	ELECT 47uF 20% 35V		C618	1-126-947-11	ELECT 47uF 20%	35V
C310	1-164-217-11	CERAMIC CHIP 150PF 5% 50V		C619	1-162-970-11	CERAMIC CHIP 0.01uF 10%	25V
C311	1-164-217-11	CERAMIC CHIP 150PF 5% 50V		C620	1-162-923-11	CERAMIC CHIP 47PF 5%	50V
C312	1-164-739-11	CERAMIC CHIP 560PF 5% 50V		C621	1-107-826-11	CERAMIC CHIP 0.1uF 10%	16V
C313	1-164-739-11	CERAMIC CHIP 560PF 5% 50V		C622	1-162-923-11	CERAMIC CHIP 47PF 5%	50V
C314	1-164-218-11	CERAMIC CHIP 180PF 5% 50V		C623	1-107-826-11	CERAMIC CHIP 0.1uF 10%	16V
C315	1-164-218-11	CERAMIC CHIP 180PF 5% 50V		C624	1-162-923-11	CERAMIC CHIP 47PF 5%	50V
C316	1-126-947-11	ELECT 47uF 20% 35V		C625	1-107-826-11	CERAMIC CHIP 0.1uF 10%	16V
C317	1-126-947-11	ELECT 47uF 20% 35V		C626	1-107-826-11	CERAMIC CHIP 0.1uF 10%	16V
C318	1-126-934-11	ELECT 220uF 20% 16V		C627	1-107-826-11	CERAMIC CHIP 0.1uF 10%	16V
C319	1-107-826-11	CERAMIC CHIP 0.1uF 10% 16V		C628	1-125-891-11	CERAMIC CHIP 0.47uF 10%	10V
C320	1-107-826-11	CERAMIC CHIP 0.1uF 10% 16V		C629	1-107-826-11	CERAMIC CHIP 0.1uF 10%	16V
C321	1-165-908-11	CERAMIC CHIP 1uF 10% 10V		C630	1-125-891-11	CERAMIC CHIP 0.47uF 10%	10V
C322	1-165-908-11 (HX520:AEP3/HX725:AEP3/HX727:AEP3/HX920/HX925)	CERAMIC CHIP 1uF 10% 10V		C631	1-162-964-11	CERAMIC CHIP 0.001uF 10%	50V
C324	1-165-908-11	CERAMIC CHIP 1uF 10% 10V		C632	1-107-826-11	CERAMIC CHIP 0.1uF 10%	16V
C325	1-162-927-11	CERAMIC CHIP 100PF 5% 50V		C633	1-107-826-11	CERAMIC CHIP 0.1uF 10%	16V
				C634	1-107-826-11	CERAMIC CHIP 0.1uF 10%	16V
				C635	1-107-826-11	CERAMIC CHIP 0.1uF 10%	16V
				C639	1-107-826-11	CERAMIC CHIP 0.1uF 10%	16V

AV-103

Ref. No.	Part No.	Description	Remarks	Ref. No.	Part No.	Description	Remarks
C641	1-107-826-11	CERAMIC CHIP	0.1uF 10% 16V	C751	1-107-826-11	CERAMIC CHIP	0.1uF 10% 16V
C642	1-126-947-11	ELECT	47uF 20% 35V	C752	1-107-826-11	CERAMIC CHIP	0.1uF 10% 16V
C646	1-162-963-11	CERAMIC CHIP	680PF 10% 50V	C753	1-107-826-11	CERAMIC CHIP	0.1uF 10% 16V
C649	1-107-826-11	CERAMIC CHIP	0.1uF 10% 16V	C762	1-107-826-11	CERAMIC CHIP	0.1uF 10% 16V
C650	1-107-826-11	CERAMIC CHIP	0.1uF 10% 16V	C772	1-107-826-11	CERAMIC CHIP	0.1uF 10% 16V
C651	1-126-926-11	ELECT	1000uF 20% 10V	C774	1-165-908-11	CERAMIC CHIP	1uF 10% 10V
C652	1-107-826-11	CERAMIC CHIP	0.1uF 10% 16V	C775	1-126-947-11	ELECT	47uF 20% 35V
C655	1-107-826-11	CERAMIC CHIP	0.1uF 10% 16V	C801	1-107-726-91	CERAMIC CHIP	0.01uF 10% 16V
C656	1-107-826-11	CERAMIC CHIP	0.1uF 10% 16V	C802	1-126-964-11	ELECT	10uF 20% 50V
C657	1-107-826-11	CERAMIC CHIP	0.1uF 10% 16V	C803	1-126-964-11	ELECT	10uF 20% 50V
C701	1-126-947-11	ELECT	47uF 20% 35V	C804	1-165-908-11	CERAMIC CHIP	1uF 10% 10V
C702	1-107-826-11	CERAMIC CHIP	0.1uF 10% 16V	C805	1-165-908-11	CERAMIC CHIP	1uF 10% 10V
C703	1-107-726-91	CERAMIC CHIP	0.01uF 10% 16V	C807	1-165-908-11	CERAMIC CHIP	1uF 10% 10V
C704	1-107-826-11	CERAMIC CHIP	0.1uF 10% 16V	C809	1-165-908-11	CERAMIC CHIP	1uF 10% 10V
C705	1-125-837-91	CERAMIC CHIP	1uF 10% 6.3V	C810	1-165-908-11	CERAMIC CHIP	1uF 10% 10V
C706	1-107-826-11	CERAMIC CHIP	0.1uF 10% 16V	C813	1-104-658-91	ELECT	100uF 20% 10V
C707	1-107-826-11	CERAMIC CHIP	0.1uF 10% 16V	C816	1-107-826-11	CERAMIC CHIP	0.1uF 10% 16V
C708	1-107-826-11	CERAMIC CHIP	0.1uF 10% 16V	C817	1-107-826-11	CERAMIC CHIP	0.1uF 10% 16V
C709	1-107-826-11	CERAMIC CHIP	0.1uF 10% 16V	C818	1-107-826-11	CERAMIC CHIP	0.1uF 10% 16V
C710	1-107-826-11	CERAMIC CHIP	0.1uF 10% 16V	C819	1-107-826-11	CERAMIC CHIP	0.1uF 10% 16V
C711	1-107-826-11	CERAMIC CHIP	0.1uF 10% 16V	C820	1-107-826-11	CERAMIC CHIP	0.1uF 10% 16V
C712	1-107-826-11	CERAMIC CHIP	0.1uF 10% 16V	C821	1-107-826-11	CERAMIC CHIP	0.1uF 10% 16V
C713	1-107-696-91	ELECT	47uF 20% 16V	C822	1-107-826-11	CERAMIC CHIP	0.1uF 10% 16V
C714	1-126-947-11	ELECT	47uF 20% 35V	C823	1-107-826-11	CERAMIC CHIP	0.1uF 10% 16V
C715	1-107-826-11	CERAMIC CHIP	0.1uF 10% 16V	C824	1-107-826-11	CERAMIC CHIP	0.1uF 10% 16V
C716	1-126-947-11	ELECT	47uF 20% 35V	C825	1-104-658-91	ELECT	100uF 20% 10V
C717	1-126-947-11	ELECT	47uF 20% 35V	C826	1-126-947-11	ELECT	47uF 20% 35V
C718	1-107-826-11	CERAMIC CHIP	0.1uF 10% 16V	C827	1-107-826-11	CERAMIC CHIP	0.1uF 10% 16V
C719	1-107-826-11	CERAMIC CHIP	0.1uF 10% 16V	C828	1-107-826-11	CERAMIC CHIP	0.1uF 10% 16V
C720	1-126-947-11	ELECT	47uF 20% 35V	C829	1-107-826-11	CERAMIC CHIP	0.1uF 10% 16V
C721	1-126-947-11	ELECT	47uF 20% 35V	C830	1-162-927-11	CERAMIC CHIP	100PF 5% 50V
C722	1-126-964-11	ELECT	10uF 20% 50V	C832	1-107-826-11	CERAMIC CHIP	0.1uF 10% 16V
C723	1-107-826-11	CERAMIC CHIP	0.1uF 10% 16V	C833	1-126-947-11	ELECT	47uF 20% 35V
C724	1-107-826-11	CERAMIC CHIP	0.1uF 10% 16V	C834	1-107-826-11	CERAMIC CHIP	0.1uF 10% 16V
C725	1-107-826-11	CERAMIC CHIP	0.1uF 10% 16V	C835	1-107-826-11	CERAMIC CHIP	0.1uF 10% 16V
C726	1-125-837-91	CERAMIC CHIP	1uF 10% 6.3V	C836	1-107-826-11	CERAMIC CHIP	0.1uF 10% 16V
C727	1-107-826-11	CERAMIC CHIP	0.1uF 10% 16V	C837	1-107-826-11	CERAMIC CHIP	0.1uF 10% 16V
C728	1-125-837-91	CERAMIC CHIP	1uF 10% 6.3V	C838	1-107-826-11	CERAMIC CHIP	0.1uF 10% 16V
C729	1-107-826-11	CERAMIC CHIP	0.1uF 10% 16V	C839	1-162-927-11	CERAMIC CHIP	100PF 5% 50V
C730	1-104-662-91	ELECT	22uF 20% 25V	C840	1-107-826-11	CERAMIC CHIP	0.1uF 10% 16V
C731	1-107-826-11	CERAMIC CHIP	0.1uF 10% 16V	C841	1-126-947-11	ELECT	47uF 20% 35V
C732	1-107-826-11	CERAMIC CHIP	0.1uF 10% 16V	C842	1-107-826-11	CERAMIC CHIP	0.1uF 10% 16V
C733	1-107-826-11	CERAMIC CHIP	0.1uF 10% 16V	C843	1-165-908-11	CERAMIC CHIP	1uF 10% 10V
C734	1-107-826-11	CERAMIC CHIP	0.1uF 10% 16V	C844	1-165-908-11	CERAMIC CHIP	1uF 10% 10V
C735	1-107-826-11	CERAMIC CHIP	0.1uF 10% 16V	C845	1-164-230-11	CERAMIC CHIP	220PF 5% 50V
C736	1-107-826-11	CERAMIC CHIP	0.1uF 10% 16V	C846	1-164-230-11	CERAMIC CHIP	220PF 5% 50V
C737	1-107-826-11	CERAMIC CHIP	0.1uF 10% 16V	C847	1-164-230-11	CERAMIC CHIP	220PF 5% 50V
C738	1-107-826-11	CERAMIC CHIP	0.1uF 10% 16V	C848	1-164-230-11	CERAMIC CHIP	220PF 5% 50V
C739	1-107-826-11	CERAMIC CHIP	0.1uF 10% 16V	C849	1-164-230-11	CERAMIC CHIP	220PF 5% 50V
C740	1-107-826-11	CERAMIC CHIP	0.1uF 10% 16V	C850	1-164-230-11	CERAMIC CHIP	220PF 5% 50V
C741	1-107-826-11	CERAMIC CHIP	0.1uF 10% 16V	C851	1-164-230-11	CERAMIC CHIP	220PF 5% 50V
C742	1-107-826-11	CERAMIC CHIP	0.1uF 10% 16V	C852	1-164-230-11	CERAMIC CHIP	220PF 5% 50V
C743	1-107-826-11	CERAMIC CHIP	0.1uF 10% 16V	C853	1-162-927-11	CERAMIC CHIP	100PF 5% 50V
C744	1-126-947-11	ELECT	47uF 20% 35V	C854	1-162-927-11	CERAMIC CHIP	100PF 5% 50V
C745	1-126-947-11	ELECT	47uF 20% 35V	C855	1-162-927-11	CERAMIC CHIP	100PF 5% 50V
C746	1-107-826-11	CERAMIC CHIP	0.1uF 10% 16V	C856	1-162-927-11	CERAMIC CHIP	100PF 5% 50V
C747	1-107-826-11	CERAMIC CHIP	0.1uF 10% 16V	C861	1-165-908-11	CERAMIC CHIP	1uF 10% 10V
C748	1-107-826-11	CERAMIC CHIP	0.1uF 10% 16V	C862	1-165-908-11	CERAMIC CHIP	1uF 10% 10V
C749	1-107-826-11	CERAMIC CHIP	0.1uF 10% 16V	C863	1-165-908-11	CERAMIC CHIP	1uF 10% 10V
C750	1-107-826-11	CERAMIC CHIP	0.1uF 10% 16V	C864	1-165-908-11	CERAMIC CHIP	1uF 10% 10V

Ref. No.	Part No.	Description	Remarks	Ref. No.	Part No.	Description	Remarks
C865	1-107-826-11	CERAMIC CHIP	0.1uF 10% 16V	D732	8-719-067-40	DIODE STZ6.8N-T146	
C866	1-126-947-11	ELECT	47uF 20% 35V	D801	8-719-069-55	DIODE UDZSTE-175.6B	
C867	1-107-826-11	CERAMIC CHIP	0.1uF 10% 16V	D802	8-719-067-40	DIODE STZ6.8N-T146	
C1103	1-125-837-91	CERAMIC CHIP	1uF 10% 6.3V (HX525/HX725/HX727/HX925)	D803	8-719-067-40	DIODE STZ6.8N-T146	
C1104	1-162-962-11	CERAMIC CHIP	470PF 10% 50V (HX525/HX725/HX727/HX925)	D804	6-501-486-01	DIODE NNCD3.9F-T1B	
C1109	1-162-917-11	CERAMIC CHIP	15PF 5% 50V (HX525/HX725/HX727/HX925)	D805	6-501-486-01	DIODE NNCD3.9F-T1B	
C1110	1-162-917-11	CERAMIC CHIP	15PF 5% 50V (HX525/HX725/HX727/HX925)	D806	8-719-067-40	DIODE STZ6.8N-T146	
C1111	1-107-826-11	CERAMIC CHIP	0.1uF 10% 16V (HX525/HX725/HX727/HX925)	D807	8-719-067-40	DIODE STZ6.8N-T146	
C1401	1-126-947-11	ELECT	47uF 20% 35V	D808	8-719-067-40	DIODE STZ6.8N-T146	
C1402	1-107-826-11	CERAMIC CHIP	0.1uF 10% 16V	D809	8-719-067-40	DIODE STZ6.8N-T146	
C1403	1-162-924-11	CERAMIC CHIP	56PF 5% 50V	D810	8-719-067-40	DIODE STZ6.8N-T146	
C1404	1-162-907-11	CERAMIC CHIP	2PF 0.25PF 50V	D811	8-719-067-40	DIODE STZ6.8N-T146	
C1405	1-162-907-11	CERAMIC CHIP	2PF 0.25PF 50V	D812	8-719-067-40	DIODE STZ6.8N-T146	
C1406	1-107-826-11	CERAMIC CHIP	0.1uF 10% 16V	D813	8-719-067-40	DIODE STZ6.8N-T146	
C1407	1-162-924-11	CERAMIC CHIP	56PF 5% 50V	D814	8-719-069-56	DIODE UDZSTE-176.2B	
C1408	1-165-908-11	CERAMIC CHIP	1uF 10% 10V	D815	8-719-083-63	DIODE UDZSTE-1713B	
C1409	1-107-826-11	CERAMIC CHIP	0.1uF 10% 16V	D816	8-719-069-56	DIODE UDZSTE-176.2B	
C1410	1-126-964-11	ELECT	10uF 20% 50V	D817	8-719-083-63	DIODE UDZSTE-1713B	
C1411	1-126-962-11	ELECT	3.3uF 20% 50V	D818	6-501-486-01	DIODE NNCD3.9F-T1B	
C1412	1-107-826-11	CERAMIC CHIP	0.1uF 10% 16V	D819	8-719-067-40	DIODE STZ6.8N-T146	
C1413	1-107-826-11	CERAMIC CHIP	0.1uF 10% 16V	D820	8-719-067-40	DIODE STZ6.8N-T146	
C1414	1-126-964-11	ELECT	10uF 20% 50V	D821	6-501-486-01	DIODE NNCD3.9F-T1B	
C1415	1-127-715-91	CERAMIC CHIP	0.22uF 10% 16V	D822	8-719-067-40	DIODE STZ6.8N-T146	
C1416	1-126-947-11	ELECT	47uF 20% 35V	D823	8-719-067-40	DIODE STZ6.8N-T146	
C1417	1-107-826-11	CERAMIC CHIP	0.1uF 10% 16V	D824	8-719-067-40	DIODE STZ6.8N-T146	
C1418	1-165-908-11	CERAMIC CHIP	1uF 10% 10V	D825	8-719-069-56	DIODE UDZSTE-176.2B	
C1419	1-165-908-11	CERAMIC CHIP	1uF 10% 10V	D827	8-719-067-40	DIODE STZ6.8N-T146	
C1452	1-107-826-11	CERAMIC CHIP	0.1uF 10% 16V	D828	8-719-069-56	DIODE UDZSTE-176.2B	
C1453	1-165-908-11	CERAMIC CHIP	1uF 10% 10V	D1103	8-719-067-40	DIODE STZ6.8N-T146 (HX525/HX725/HX727/HX925)	
< CONNECTOR >				D1400	6-501-115-01	DIODE BAS16-03W	
CN101	1-815-458-21	CONNECTOR, BOARD TO BOARD	15P	D1401	6-501-115-01	DIODE BAS16-03W	
CN103	1-794-509-11	PIN, CONNECTOR (PC BOARD)	3P	< FERRITE BEAD >			
* CN601	1-764-643-21	PIN, CONNECTOR (SMD)	11P	FB301	1-414-228-11	INDUCTOR, FERRITE BEAD	
CN602	1-774-767-51	CONNECTOR, FFC/FPC	15P	FB302	1-414-228-11	INDUCTOR, FERRITE BEAD	
* CN701	1-770-468-21	PIN, CONNECTOR (PC BOARD)	10P	FB801	1-500-283-11	INDUCTOR, FERRITE BEAD	
* CN1102	1-691-591-11	PIN, CONNECTOR (1.5MM) (SMD)	8P (HX525/HX725/HX727/HX925)	FB802	1-469-876-11	INDUCTOR, FERRITE BEAD	
< DIODE >				FB803	1-469-796-21	FERRITE, CHIP	
D101	8-719-073-34	DIODE	EC21QS03L-TE12L	FB804	1-469-796-21	FERRITE, CHIP	
D301	6-501-115-01	DIODE	BAS16-03W	FB805	1-469-796-21	FERRITE, CHIP	
D303	6-501-115-01	DIODE	BAS16-03W	FB806	1-469-796-21	FERRITE, CHIP	
D304	6-501-115-01	DIODE	BAS16-03W (HX520:AEP3/HX725:AEP3/HX727:AEP3/HX920/HX925)	FB807	1-469-796-21	FERRITE, CHIP	
D608	6-501-115-01	DIODE	BAS16-03W	FB808	1-500-283-11	INDUCTOR, FERRITE BEAD	
D701	6-501-115-01	DIODE	BAS16-03W	FB809	1-469-876-11	INDUCTOR, FERRITE BEAD	
D702	8-719-067-40	DIODE	STZ6.8N-T146	FB810	1-469-796-21	FERRITE, CHIP	
D703	8-719-053-18	DIODE	1SR154-400TE-25	FB811	1-469-796-21	FERRITE, CHIP	
D704	8-719-053-18	DIODE	1SR154-400TE-25	FB812	1-469-796-21	FERRITE, CHIP	
D714	8-719-067-40	DIODE	STZ6.8N-T146	FB813	1-469-796-21	FERRITE, CHIP	
D715	8-719-067-40	DIODE	STZ6.8N-T146	FB814	1-469-796-21	FERRITE, CHIP	
D721	8-719-067-40	DIODE	STZ6.8N-T146	FB815	1-414-228-11	INDUCTOR, FERRITE BEAD	
D724	8-719-067-40	DIODE	STZ6.8N-T146	FB816	1-414-228-11	INDUCTOR, FERRITE BEAD	
D728	8-719-067-40	DIODE	STZ6.8N-T146	FB817	1-414-228-11	INDUCTOR, FERRITE BEAD	
D731	8-719-067-40	DIODE	STZ6.8N-T146	FB818	1-414-228-11	INDUCTOR, FERRITE BEAD	
				FB819	1-414-228-11	INDUCTOR, FERRITE BEAD	
				FB820	1-414-228-11	INDUCTOR, FERRITE BEAD	
				FB821	1-414-228-11	INDUCTOR, FERRITE BEAD	
				FB822	1-414-228-11	INDUCTOR, FERRITE BEAD	
				FB824	1-469-796-21	FERRITE, CHIP	

Ref. No.	Part No.	Description	Remarks
< IC >			
IC102	6-702-889-01	IC SI-3033KS-TL (HX520:AEP3/HX725:AEP3/HX727:AEP3/HX920/HX925)	
IC104	6-708-913-01	IC TK73400AU3G0L-C	
IC107	6-707-208-01	IC TK11100CSCB-G	
IC202	8-759-100-96	IC uPC4558G2	
IC203	8-759-100-96	IC uPC4558G2	
IC302	8-759-100-96	IC uPC4558G2	
IC303	6-705-313-01	IC S-T111B50MC-OHJTFG	
IC401	8-749-925-00	IC TK11819MTL	
IC402	6-706-237-01	IC PQ1MX55M2SPQ	
IC601	6-706-673-01	IC S-80852CNMC-B9DT2G	
IC603	6-806-620-01	IC M306H5MG-A13FP (HX525/HX725/HX727/HX925)	
IC603	6-806-673-01	IC M306H5MC-C33FP (HX520/HX720/HX722/HX920)	
* IC604	6-708-842-01	IC S-24CS04AFJ-TB-G	
* IC605	6-708-948-01	IC R2051S03-E2-F	
IC701	6-708-957-01	IC TK72233CMCL-G	
* IC702	6-708-890-01	IC LA73036M-TBA-E	
IC801	6-705-338-01	IC TK11250CMCL-G	
IC802	6-708-892-01	IC BD3826FS	
IC803	6-708-887-01	IC BH7626KS2	
IC1102	6-806-080-01	IC M30263M6A-703FP (HX525/HX725/HX727/HX925)	
IC1103	8-759-649-43	IC SN74AHC1G00DCKR (HX525/HX725/HX727/HX925)	
IC1401	6-702-714-01	IC MSP3417G-QG-B8V3	
< JACK >			
J702	1-818-363-11	JACK BLOCK, PIN (LINE2 OUT)	
J703	1-818-063-11	JACK, PIN (3P) (COMPONENT VIDEO OUT)	
J1101	1-764-188-31	JACK (SMALL TYPE) (DIA. 3.5) (G-LINK) (HX525/HX725/HX727/HX925)	
< COIL >			
L401	1-414-856-11	INDUCTOR 10uH	
L402	1-469-967-21	INDUCTOR 10uH	
L403	1-414-858-31	INDUCTOR 1mH	
L404	1-414-856-11	INDUCTOR 10uH	
L405	1-414-856-11	INDUCTOR 10uH	
L406	1-414-856-11	INDUCTOR 10uH	
L601	1-412-533-21	INDUCTOR 47uH	
L602	1-412-533-21	INDUCTOR 47uH	
L701	1-412-060-11	INDUCTOR 22uH	
L702	1-469-967-21	INDUCTOR 10uH	
L703	1-469-967-21	INDUCTOR 10uH	
L704	1-469-967-21	INDUCTOR 10uH	
L803	1-414-743-21	INDUCTOR 47uH	
L1401	1-414-856-11	INDUCTOR 10uH	
< IC LINK >			
△ PS102	1-576-570-21	FUSE, MICRO (1608 TYPE)	
△ PS103	1-576-570-21	FUSE, MICRO (1608 TYPE)	
△ PS602	1-576-570-21	FUSE, MICRO (1608 TYPE)	

Ref. No.	Part No.	Description	Remarks
< TRANSISTOR >			
Q101	8-729-421-19	TRANSISTOR UN2213	
Q301	8-729-424-08	TRANSISTOR UN2111	
Q302	8-729-921-80	TRANSISTOR 2SD1781K-T146-QR	
Q303	6-550-286-01	TRANSISTOR BC847CE6327	
Q304	8-729-045-17	TRANSISTOR 2SB1561T100Q	
Q305	6-551-199-01	TRANSISTOR BCR148-E6327	
Q306	6-551-199-01	TRANSISTOR BCR148-E6327 (HX520:AEP3/HX725:AEP3/HX727:AEP3/HX920/HX925)	
Q307	8-729-027-53	TRANSISTOR DTC124TKA-T146	
Q308	8-729-027-53	TRANSISTOR DTC124TKA-T146 (HX520:AEP3/HX725:AEP3/HX727:AEP3/HX920/HX925)	
Q309	6-551-287-01	TRANSISTOR 2SD2704K-T146	
Q310	6-551-287-01	TRANSISTOR 2SD2704K-T146	
Q311	6-550-280-01	TRANSISTOR BC857CE6327	
Q312	6-550-280-01	TRANSISTOR BC857CE6327 (HX520:AEP3/HX725:AEP3/HX727:AEP3/HX920/HX925)	
Q313	6-550-286-01	TRANSISTOR BC847CE6327	
Q401	6-550-286-01	TRANSISTOR BC847CE6327	
Q403	8-729-010-25	TRANSISTOR MSD601-RT1	
Q405	6-550-286-01	TRANSISTOR BC847CE6327	
Q407	6-551-199-01	TRANSISTOR BCR148-E6327	
Q601	6-551-199-01	TRANSISTOR BCR148-E6327	
Q611	8-729-421-22	TRANSISTOR UN2211	
Q612	6-550-280-01	TRANSISTOR BC857CE6327	
Q613	6-550-286-01	TRANSISTOR BC847CE6327	
Q614	6-550-286-01	TRANSISTOR BC847CE6327	
Q615	6-550-286-01	TRANSISTOR BC847CE6327	
Q616	8-729-904-87	TRANSISTOR 2SB1197K-R	
Q702	6-550-286-01	TRANSISTOR BC847CE6327	
Q705	6-550-280-01	TRANSISTOR BC857CE6327	
Q707	6-550-286-01	TRANSISTOR BC847CE6327	
Q708	6-550-286-01	TRANSISTOR BC847CE6327	
Q709	6-550-286-01	TRANSISTOR BC847CE6327	
Q710	6-550-286-01	TRANSISTOR BC847CE6327	
Q711	6-550-286-01	TRANSISTOR BC847CE6327	
Q715	8-729-904-87	TRANSISTOR 2SB1197K-R	
Q716	6-551-199-01	TRANSISTOR BCR148-E6327	
Q801	6-550-280-01	TRANSISTOR BC857CE6327	
Q807	6-550-683-01	TRANSISTOR RJK005N03-T146	
Q808	8-729-027-24	TRANSISTOR DTA114TKA-T146	
Q1104	8-729-045-17	TRANSISTOR 2SB1561T100Q (HX525/HX725/HX727/HX925)	
Q1401	6-550-280-01	TRANSISTOR BC857CE6327	
Q1402	6-550-286-01	TRANSISTOR BC847CE6327	
< RESISTOR >			
R101	1-216-295-91	SHORT CHIP 0	
R111	1-216-833-11	METAL CHIP 10K 5% 1/10W	
R113	1-218-897-11	METAL CHIP 120K 0.5% 1/10W	
R114	1-218-875-11	METAL CHIP 15K 0.5% 1/10W	
R115	1-218-869-11	METAL CHIP 8.2K 0.5% 1/10W	
R120	1-216-864-11	SHORT CHIP 0	
R121	1-218-885-11	METAL CHIP 39K 0.5% 1/10W	
R122	1-218-873-11	METAL CHIP 12K 0.5% 1/10W	
R135	1-216-295-91	SHORT CHIP 0	
R137	1-216-295-91	SHORT CHIP 0	

Note : The components identified by mark △ or dotted line with mark △ are critical for safety. Replace only with part number specified.

Ref. No.	Part No.	Description	Remarks	Ref. No.	Part No.	Description	Remarks
R140	1-216-295-91	SHORT CHIP	0	R353	1-216-817-11	METAL CHIP	470 5% 1/10W
R142	1-216-295-91	SHORT CHIP	0	R355	1-216-817-11	METAL CHIP	470 5% 1/10W
R144	1-216-295-91	SHORT CHIP	0	R362	1-216-829-11	METAL CHIP	4.7K 5% 1/10W
R145	1-216-295-91	SHORT CHIP	0			(EXCEPT HX520:AEP3/HX725:AEP3/HX727:AEP3/HX920/HX925)	
R146	1-216-295-91	SHORT CHIP	0	R364	1-216-839-11	METAL CHIP	33K 5% 1/10W
				R365	1-216-845-11	METAL CHIP	100K 5% 1/10W
R148	1-216-295-91	SHORT CHIP	0	R366	1-216-821-11	METAL CHIP	1K 5% 1/10W
R154	1-216-295-91	SHORT CHIP	0	R405	1-216-821-11	METAL CHIP	1K 5% 1/10W
R160	1-216-864-11	SHORT CHIP	0	R407	1-216-821-11	METAL CHIP	1K 5% 1/10W
			(HX525/HX725/HX727/HX925)	R409	1-216-821-11	METAL CHIP	1K 5% 1/10W
R218	1-218-879-11	METAL CHIP	22K 0.5% 1/10W	R410	1-216-809-11	METAL CHIP	100 5% 1/10W
R219	1-218-879-11	METAL CHIP	22K 0.5% 1/10W				
R222	1-218-871-11	METAL CHIP	10K 0.5% 1/10W	R411	1-216-809-11	METAL CHIP	100 5% 1/10W
R223	1-218-871-11	METAL CHIP	10K 0.5% 1/10W	R412	1-216-809-11	METAL CHIP	100 5% 1/10W
R224	1-218-863-11	METAL CHIP	4.7K 0.5% 1/10W	R414	1-216-845-11	METAL CHIP	100K 5% 1/10W
R225	1-218-863-11	METAL CHIP	4.7K 0.5% 1/10W	R415	1-216-838-11	METAL CHIP	27K 5% 1/10W
R226	1-218-863-11	METAL CHIP	4.7K 0.5% 1/10W	R418	1-216-845-11	METAL CHIP	100K 5% 1/10W
R227	1-218-863-11	METAL CHIP	4.7K 0.5% 1/10W	R420	1-216-809-11	METAL CHIP	100 5% 1/10W
R304	1-216-849-11	METAL CHIP	220K 5% 1/10W	R422	1-216-809-11	METAL CHIP	100 5% 1/10W
R305	1-216-833-11	METAL CHIP	10K 5% 1/10W	R423	1-216-864-11	SHORT CHIP	0
R306	1-216-833-11	METAL CHIP	10K 5% 1/10W	R428	1-216-817-11	METAL CHIP	470 5% 1/10W
R307	1-216-833-11	METAL CHIP	10K 5% 1/10W	R429	1-216-817-11	METAL CHIP	470 5% 1/10W
R308	1-216-841-11	METAL CHIP	47K 5% 1/10W	R475	1-216-864-11	SHORT CHIP	0
R309	1-216-830-11	METAL CHIP	5.6K 5% 1/10W	R604	1-216-841-11	METAL CHIP	47K 5% 1/10W
R310	1-218-864-11	METAL CHIP	5.1K 0.5% 1/10W	R606	1-216-833-11	METAL CHIP	10K 5% 1/10W
R311	1-218-864-11	METAL CHIP	5.1K 0.5% 1/10W	R608	1-216-833-11	METAL CHIP	10K 5% 1/10W
R312	1-218-864-11	METAL CHIP	5.1K 0.5% 1/10W	R609	1-216-845-11	METAL CHIP	100K 5% 1/10W
R313	1-218-864-11	METAL CHIP	5.1K 0.5% 1/10W	R610	1-216-809-11	METAL CHIP	100 5% 1/10W
R314	1-218-865-11	METAL CHIP	5.6K 0.5% 1/10W	R611	1-216-833-11	METAL CHIP	10K 5% 1/10W
R315	1-218-865-11	METAL CHIP	5.6K 0.5% 1/10W	R613	1-216-833-11	METAL CHIP	10K 5% 1/10W
R316	1-216-825-11	METAL CHIP	2.2K 5% 1/10W	R614	1-216-833-11	METAL CHIP	10K 5% 1/10W
R317	1-216-825-11	METAL CHIP	2.2K 5% 1/10W	R615	1-216-829-11	METAL CHIP	4.7K 5% 1/10W
R318	1-216-825-11	METAL CHIP	2.2K 5% 1/10W	R616	1-216-829-11	METAL CHIP	4.7K 5% 1/10W
R320	1-216-825-11	METAL CHIP	2.2K 5% 1/10W	R617	1-216-833-11	METAL CHIP	10K 5% 1/10W
R321	1-218-865-11	METAL CHIP	5.6K 0.5% 1/10W	R618	1-218-875-11	METAL CHIP	15K 0.5% 1/10W
R323	1-218-865-11	METAL CHIP	5.6K 0.5% 1/10W	R619	1-216-833-11	METAL CHIP	10K 5% 1/10W
R326	1-216-817-11	METAL CHIP	470 5% 1/10W	R620	1-216-833-11	METAL CHIP	10K 5% 1/10W
R327	1-216-817-11	METAL CHIP	470 5% 1/10W	R621	1-216-833-11	METAL CHIP	10K 5% 1/10W
R330	1-216-841-11	METAL CHIP	47K 5% 1/10W	R622	1-216-833-11	METAL CHIP	10K 5% 1/10W
R331	1-216-841-11	METAL CHIP	47K 5% 1/10W	R623	1-216-864-11	SHORT CHIP	0
R332	1-216-833-11	METAL CHIP	10K 5% 1/10W	R624	1-216-809-11	METAL CHIP	100 5% 1/10W
R333	1-216-833-11	METAL CHIP	10K 5% 1/10W	R626	1-216-864-11	SHORT CHIP	0
			(HX520:AEP3/HX725:AEP3/HX727:AEP3/HX920/HX925)	R627	1-216-833-11	METAL CHIP	10K 5% 1/10W
R334	1-216-833-11	METAL CHIP	10K 5% 1/10W	R628	1-216-817-11	METAL CHIP	470 5% 1/10W
R335	1-216-841-11	METAL CHIP	47K 5% 1/10W	R629	1-216-864-11	SHORT CHIP	0
R336	1-216-833-11	METAL CHIP	10K 5% 1/10W	R630	1-216-809-11	METAL CHIP	100 5% 1/10W
			(HX520:AEP3/HX725:AEP3/HX727:AEP3/HX920/HX925)	R631	1-216-809-11	METAL CHIP	100 5% 1/10W
R337	1-216-841-11	METAL CHIP	47K 5% 1/10W				
			(HX520:AEP3/HX725:AEP3/HX727:AEP3/HX920/HX925)	R632	1-216-809-11	METAL CHIP	100 5% 1/10W
R338	1-216-833-11	METAL CHIP	10K 5% 1/10W	R633	1-216-809-11	METAL CHIP	100 5% 1/10W
R339	1-216-833-11	METAL CHIP	10K 5% 1/10W	R635	1-216-809-11	METAL CHIP	100 5% 1/10W
			(HX520:AEP3/HX725:AEP3/HX727:AEP3/HX920/HX925)	R636	1-216-809-11	METAL CHIP	100 5% 1/10W
R340	1-216-829-11	METAL CHIP	4.7K 5% 1/10W	R637	1-218-289-11	METAL CHIP	510 5% 1/10W
R342	1-216-829-11	METAL CHIP	4.7K 5% 1/10W				
			(HX520:AEP3/HX725:AEP3/HX727:AEP3/HX920/HX925)	R638	1-216-864-11	SHORT CHIP	0
R343	1-216-845-11	METAL CHIP	100K 5% 1/10W	R639	1-216-825-11	METAL CHIP	2.2K 5% 1/10W
R344	1-216-845-11	METAL CHIP	100K 5% 1/10W	R642	1-216-825-11	METAL CHIP	2.2K 5% 1/10W
			(HX520:AEP3/HX725:AEP3/HX727:AEP3/HX920/HX925)	R643	1-216-833-11	METAL CHIP	10K 5% 1/10W
R345	1-216-821-11	METAL CHIP	1K 5% 1/10W	R644	1-216-809-11	METAL CHIP	100 5% 1/10W
R346	1-216-821-11	METAL CHIP	1K 5% 1/10W				
R347	1-216-821-11	METAL CHIP	1K 5% 1/10W				
R348	1-216-813-11	METAL CHIP	220 5% 1/10W				
R350	1-216-807-11	METAL CHIP	68 5% 1/10W				

AV-103

Ref. No.	Part No.	Description	Remarks			Ref. No.	Part No.	Description	Remarks		
R645	1-216-833-11	METAL CHIP	10K	5%	1/10W	R719	1-218-852-11	METAL CHIP	1.6K	0.5%	1/10W
R646	1-216-833-11	METAL CHIP	10K	5%	1/10W	R726	1-216-817-11	METAL CHIP	470	5%	1/10W
R647	1-216-817-11	METAL CHIP	470	5%	1/10W	R728	1-216-840-11	METAL CHIP	39K	5%	1/10W
R648	1-216-864-11	SHORT CHIP	0			R729	1-216-837-11	METAL CHIP	22K	5%	1/10W
			(HX525/HX725/HX727/HX925)			R733	1-216-864-11	SHORT CHIP	0		
R649	1-216-809-11	METAL CHIP	100	5%	1/10W						
			(HX525/HX725/HX727/HX925)			R736	1-216-801-11	METAL CHIP	22	5%	1/10W
R650	1-216-833-11	METAL CHIP	10K	5%	1/10W	R738	1-216-801-11	METAL CHIP	22	5%	1/10W
			(HX525/HX725/HX727/HX925)			R740	1-216-801-11	METAL CHIP	22	5%	1/10W
R651	1-216-809-11	METAL CHIP	100	5%	1/10W	R742	1-216-801-11	METAL CHIP	22	5%	1/10W
R652	1-216-809-11	METAL CHIP	100	5%	1/10W	R744	1-216-801-11	METAL CHIP	22	5%	1/10W
			(HX525/HX725/HX727/HX925)								
R654	1-216-809-11	METAL CHIP	100	5%	1/10W	R747	1-218-285-11	METAL CHIP	75	5%	1/10W
			(HX525/HX725/HX727/HX925)			R749	1-216-825-11	METAL CHIP	2.2K	5%	1/10W
R655	1-216-809-11	METAL CHIP	100	5%	1/10W	R750	1-216-825-11	METAL CHIP	2.2K	5%	1/10W
			(HX525/HX725/HX727/HX925)			R751	1-216-825-11	METAL CHIP	2.2K	5%	1/10W
R656	1-216-821-11	METAL CHIP	1K	5%	1/10W	R752	1-216-825-11	METAL CHIP	2.2K	5%	1/10W
R658	1-216-809-11	METAL CHIP	100	5%	1/10W						
R659	1-216-809-11	METAL CHIP	100	5%	1/10W	R753	1-216-825-11	METAL CHIP	2.2K	5%	1/10W
R660	1-216-809-11	METAL CHIP	100	5%	1/10W	R755	1-216-821-11	METAL CHIP	1K	5%	1/10W
R661	1-216-809-11	METAL CHIP	100	5%	1/10W	R760	1-216-833-11	METAL CHIP	10K	5%	1/10W
			(HX525/HX725/HX727/HX925)			R761	1-216-829-11	METAL CHIP	4.7K	5%	1/10W
R662	1-216-809-11	METAL CHIP	100	5%	1/10W	R772	1-216-833-11	METAL CHIP	10K	5%	1/10W
R663	1-216-809-11	METAL CHIP	100	5%	1/10W						
R664	1-216-809-11	METAL CHIP	100	5%	1/10W	R776	1-218-285-11	METAL CHIP	75	5%	1/10W
R665	1-216-809-11	METAL CHIP	100	5%	1/10W	R779	1-218-285-11	METAL CHIP	75	5%	1/10W
R666	1-216-864-11	SHORT CHIP	0			R780	1-218-285-11	METAL CHIP	75	5%	1/10W
			(HX525/HX725/HX727/HX925)			R785	1-216-864-11	SHORT CHIP	0		
R667	1-216-809-11	METAL CHIP	100	5%	1/10W	R791	1-216-864-11	SHORT CHIP	0		
R668	1-216-864-11	SHORT CHIP	0								
R669	1-216-833-11	METAL CHIP	10K	5%	1/10W	R802	1-216-845-11	METAL CHIP	100K	5%	1/10W
R670	1-216-833-11	METAL CHIP	10K	5%	1/10W	R803	1-216-845-11	METAL CHIP	100K	5%	1/10W
R671	1-216-845-11	METAL CHIP	100K	5%	1/10W	R804	1-216-825-11	METAL CHIP	2.2K	5%	1/10W
			(HX525/HX725/HX727/HX925)			R805	1-216-845-11	METAL CHIP	100K	5%	1/10W
R672	1-216-833-11	METAL CHIP	10K	5%	1/10W	R806	1-216-845-11	METAL CHIP	100K	5%	1/10W
			(HX520/HX720/HX722/HX920)								
R674	1-216-833-11	METAL CHIP	10K	5%	1/10W	R807	1-216-845-11	METAL CHIP	100K	5%	1/10W
R675	1-216-833-11	METAL CHIP	10K	5%	1/10W	R808	1-216-845-11	METAL CHIP	100K	5%	1/10W
R676	1-216-833-11	METAL CHIP	10K	5%	1/10W	R819	1-216-809-11	METAL CHIP	100	5%	1/10W
R677	1-218-871-11	METAL CHIP	10K	0.5%	1/10W	R820	1-216-809-11	METAL CHIP	100	5%	1/10W
			(HX525/HX725/HX727/HX925)			R821	1-216-809-11	METAL CHIP	100	5%	1/10W
R678	1-216-845-11	METAL CHIP	100K	5%	1/10W						
R679	1-216-833-11	METAL CHIP	10K	5%	1/10W	R822	1-216-809-11	METAL CHIP	100	5%	1/10W
			(HX525/HX725/HX727/HX925)			R823	1-216-809-11	METAL CHIP	100	5%	1/10W
R681	1-216-833-11	METAL CHIP	10K	5%	1/10W	R825	1-216-809-11	METAL CHIP	100	5%	1/10W
R682	1-216-833-11	METAL CHIP	10K	5%	1/10W	R827	1-216-809-11	METAL CHIP	100	5%	1/10W
			(EXCEPT HX520:AEP3/HX725:AEP3/HX727:AEP3/HX920/HX925)			R828	1-216-809-11	METAL CHIP	100	5%	1/10W
R683	1-216-833-11	METAL CHIP	10K	5%	1/10W						
			(HX520:AEP3/HX725:AEP3/HX727:AEP3/HX920/HX925)			R835	1-216-845-11	METAL CHIP	100K	5%	1/10W
R685	1-216-809-11	METAL CHIP	100	5%	1/10W	R836	1-216-845-11	METAL CHIP	100K	5%	1/10W
R686	1-216-809-11	METAL CHIP	100	5%	1/10W	R837	1-216-864-11	SHORT CHIP	0		
R692	1-216-825-11	METAL CHIP	2.2K	5%	1/10W	R838	1-216-864-11	SHORT CHIP	0		
R693	1-216-825-11	METAL CHIP	2.2K	5%	1/10W	R839	1-216-833-11	METAL CHIP	10K	5%	1/10W
R697	1-216-833-11	METAL CHIP	10K	5%	1/10W						
			(HX525/HX725/HX727/HX925)			R840	1-216-813-11	METAL CHIP	220	5%	1/10W
R698	1-216-833-11	METAL CHIP	10K	5%	1/10W	R841	1-216-809-11	METAL CHIP	100	5%	1/10W
R699	1-216-833-11	METAL CHIP	10K	5%	1/10W	R842	1-216-857-11	METAL CHIP	1M	5%	1/10W
R702	1-216-864-11	SHORT CHIP	0			R843	1-216-864-11	SHORT CHIP	0		
R705	1-216-864-11	SHORT CHIP	0			R844	1-218-285-11	METAL CHIP	75	5%	1/10W
R712	1-218-883-11	METAL CHIP	33K	0.5%	1/10W						
			(HX525/HX725/HX727/HX925)			R845	1-218-285-11	METAL CHIP	75	5%	1/10W
R713	1-218-871-11	METAL CHIP	10K	0.5%	1/10W	R852	1-218-285-11	METAL CHIP	75	5%	1/10W
R714	1-216-855-11	METAL CHIP	680K	5%	1/10W	R854	1-218-285-11	METAL CHIP	75	5%	1/10W
R715	1-216-841-11	METAL CHIP	47K	5%	1/10W	R858	1-218-285-11	METAL CHIP	75	5%	1/10W
R716	1-216-845-11	METAL CHIP	100K	5%	1/10W	R859	1-216-845-11	METAL CHIP	100K	5%	1/10W
R718	1-218-867-11	METAL CHIP	6.8K	0.5%	1/10W						
			(HX525/HX725/HX727/HX925)			R860	1-216-809-11	METAL CHIP	100	5%	1/10W
			(HX520/HX720/HX722/HX920)			R861	1-218-285-11	METAL CHIP	75	5%	1/10W
			(HX525/HX725/HX727/HX925)			R862	1-216-845-11	METAL CHIP	100K	5%	1/10W
			(HX520/HX720/HX722/HX920)			R863	1-216-809-11	METAL CHIP	100	5%	1/10W
			(HX525/HX725/HX727/HX925)			R864	1-216-807-11	METAL CHIP	68	5%	1/10W

Ref. No.	Part No.	Description	Quantity	Unit	Percentage	Remarks	Ref. No.	Part No.	Description	Quantity	Unit	Percentage	Remarks
R865	1-218-285-11	METAL CHIP	75		5%	1/10W	R1142	1-216-864-11	SHORT CHIP	0			(HX525/HX725/HX727/HX925)
R866	1-218-285-11	METAL CHIP	75		5%	1/10W				0			
R867	1-216-845-11	METAL CHIP	100K		5%	1/10W	R1143	1-216-864-11	SHORT CHIP	0			(HX525/HX725/HX727/HX925)
R868	1-218-285-11	METAL CHIP	75		5%	1/10W				1K		5%	1/10W
R869	1-218-285-11	METAL CHIP	75		5%	1/10W	R1144	1-216-821-11	METAL CHIP				(HX525/HX725/HX727/HX925)
R870	1-218-285-11	METAL CHIP	75		5%	1/10W	R1146	1-216-864-11	SHORT CHIP	0			
R871	1-216-864-11	SHORT CHIP	0				R1147	1-216-829-11	METAL CHIP	4.7K		5%	1/10W
R872	1-216-864-11	SHORT CHIP	0										(HX525/HX725/HX727/HX925)
R873	1-216-864-11	SHORT CHIP	0										
R874	1-216-845-11	METAL CHIP	100K		5%	1/10W	R1148	1-216-029-00	RES-CHIP	150		5%	1/10W
R875	1-216-845-11	METAL CHIP	100K		5%	1/10W							(HX525/HX725/HX727/HX925)
R876	1-216-845-11	METAL CHIP	100K		5%	1/10W	R1401	1-216-821-11	METAL CHIP	1K		5%	1/10W
R877	1-216-845-11	METAL CHIP	100K		5%	1/10W	R1402	1-216-823-11	METAL CHIP	1.5K		5%	1/10W
R878	1-216-295-91	SHORT CHIP	0				R1403	1-216-821-11	METAL CHIP	1K		5%	1/10W
R879	1-216-295-91	SHORT CHIP	0				R1406	1-216-809-11	METAL CHIP	100		5%	1/10W
R886	1-216-864-11	SHORT CHIP	0				R1407	1-216-819-11	METAL CHIP	680		5%	1/10W
R887	1-216-864-11	SHORT CHIP	0				R1408	1-216-809-11	METAL CHIP	100		5%	1/10W
R888	1-216-845-11	METAL CHIP	100K		5%	1/10W	R1409	1-216-809-11	METAL CHIP	100		5%	1/10W
R889	1-216-845-11	METAL CHIP	100K		5%	1/10W	R1410	1-216-825-11	METAL CHIP	2.2K		5%	1/10W
R896	1-216-817-11	METAL CHIP	470		5%	1/10W	R1411	1-216-825-11	METAL CHIP	2.2K		5%	1/10W
R897	1-216-817-11	METAL CHIP	470		5%	1/10W	R1412	1-216-846-11	METAL CHIP	120K		5%	1/10W
R898	1-216-817-11	METAL CHIP	470		5%	1/10W	R1416	1-216-825-11	METAL CHIP	2.2K		5%	1/10W
R899	1-216-817-11	METAL CHIP	470		5%	1/10W	R1417	1-216-864-11	SHORT CHIP	0			
R1101	1-216-821-11	METAL CHIP	1K		5%	1/10W	R1418	1-216-864-11	SHORT CHIP	0			
						(HX525/HX725/HX727/HX925)	R1419	1-216-864-11	SHORT CHIP	0			
R1103	1-216-821-11	METAL CHIP	1K		5%	1/10W	R1451	1-216-821-11	METAL CHIP	1K		5%	1/10W
						(HX525/HX725/HX727/HX925)	R1452	1-218-895-11	METAL CHIP	100K		0.5%	1/10W
R1105	1-216-821-11	METAL CHIP	1K		5%	1/10W	R1453	1-218-905-11	METAL CHIP	270K		0.5%	1/10W
						(HX525/HX725/HX727/HX925)	R1454	1-218-885-11	METAL CHIP	39K		0.5%	1/10W
R1106	1-216-825-11	METAL CHIP	2.2K		5%	1/10W	R1601	1-216-833-11	METAL CHIP	10K		5%	1/10W
						(HX525/HX725/HX727/HX925)	R1602	1-216-833-11	METAL CHIP	10K		5%	1/10W
R1107	1-216-029-00	RES-CHIP	150		5%	1/10W	R1603	1-216-833-11	METAL CHIP	10K		5%	1/10W
						(HX525/HX725/HX727/HX925)	R1604	1-216-833-11	METAL CHIP	10K		5%	1/10W
R1108	1-216-819-11	METAL CHIP	680		5%	1/10W	R1609	1-216-847-11	METAL CHIP	150K		5%	1/10W
						(HX525/HX725/HX727/HX925)	R1610	1-216-809-11	METAL CHIP	100		5%	1/10W
R1110	1-216-821-11	METAL CHIP	1K		5%	1/10W	R1613	1-216-837-11	METAL CHIP	22K		5%	1/10W
						(HX525/HX725/HX727/HX925)	R1614	1-216-833-11	METAL CHIP	10K		5%	1/10W
R1111	1-216-821-11	METAL CHIP	1K		5%	1/10W	R1621	1-216-839-11	METAL CHIP	33K		5%	1/10W
						(HX525/HX725/HX727/HX925)	R1624	1-216-833-11	METAL CHIP	10K		5%	1/10W
R1115	1-216-864-11	SHORT CHIP	0				R1625	1-216-833-11	METAL CHIP	10K		5%	1/10W
						(HX525/HX725/HX727/HX925)	R1626	1-216-821-11	METAL CHIP	1K		5%	1/10W
R1116	1-216-845-11	METAL CHIP	100K		5%	1/10W	R1627	1-216-864-11	SHORT CHIP	0			
						(HX525/HX725/HX727/HX925)	R1628	1-216-845-11	METAL CHIP	100K		5%	1/10W
R1120	1-216-821-11	METAL CHIP	1K		5%	1/10W	R1629	1-216-817-11	METAL CHIP	470		5%	1/10W
						(HX525/HX725/HX727/HX925)	R1630	1-216-817-11	METAL CHIP	470		5%	1/10W
R1132	1-216-029-00	RES-CHIP	150		5%	1/10W	R1632	1-216-833-11	METAL CHIP	10K		5%	1/10W
						(HX525/HX725/HX727/HX925)	R1633	1-216-821-11	METAL CHIP	1K		5%	1/10W
R1133	1-216-829-11	METAL CHIP	4.7K		5%	1/10W	R1636	1-216-809-11	METAL CHIP	100		5%	1/10W
						(HX525/HX725/HX727/HX925)	R1637	1-216-809-11	METAL CHIP	100		5%	1/10W
R1134	1-216-829-11	METAL CHIP	4.7K		5%	1/10W	R1638	1-216-809-11	METAL CHIP	100		5%	1/10W
						(HX525/HX725/HX727/HX925)	R1707	1-216-295-91	SHORT CHIP	0			
R1139	1-216-833-11	METAL CHIP	10K		5%	1/10W	R1709	1-216-295-91	SHORT CHIP	0			
						(HX525/HX725/HX727/HX925)	R1710	1-216-864-11	SHORT CHIP	0			
R1140	1-216-833-11	METAL CHIP	10K		5%	1/10W	R1714	1-216-817-11	METAL CHIP	470		5%	1/10W
						(HX525/HX725/HX727/HX925)	R1715	1-216-864-11	SHORT CHIP	0			
R1141	1-216-833-11	METAL CHIP	10K		5%	1/10W	R1716	1-218-285-11	METAL CHIP	75		5%	1/10W
						(HX525/HX725/HX727/HX925)	R1717	1-218-285-11	METAL CHIP	75		5%	1/10W
							R1719	1-216-833-11	METAL CHIP	10K		5%	1/10W
							R1720	1-216-833-11	METAL CHIP	10K		5%	1/10W
							R1735	1-216-817-11	METAL CHIP	470		5%	1/10W

AV-103

FL-159

FR-240

Ref. No.	Part No.	Description	Remarks
R1736	1-216-833-11	METAL CHIP 10K 5%	1/10W
R1738	1-216-864-11	SHORT CHIP 0	
R1801	1-216-864-11	SHORT CHIP 0	
< THERMISTOR >			
TH601	1-803-384-11	THERMISTOR (1608)	
< TUNER UNIT >			
△ TU401	8-597-558-00	TUNER, FSS BTF-DC441	
(EXCEPT HX520:AEP3/HX725:AEP3/HX727:AEP3/HX920/HX925)			
△ TU401	8-597-559-00	TUNER, FSS BTF-DF441	
(HX520:AEP3/HX725:AEP3/HX727:AEP3/HX920/HX925)			
< VIBRATOR >			
* X602	1-813-700-21	VIBRATOR, CRYSTAL (10MHz)	
* X603	1-813-698-11	VIBRATOR, CRYSTAL (32.76KHz)	
X1101	1-781-589-21	VIBRATOR, CRYSTAL (16MHz)	
(HX525/HX725/HX727/HX925)			
* X1401	1-813-713-31	VIBRATOR, CRYSTAL (18.432MHZ)	
Not supplied	FL-159 BOARD, COMPLETE		

< CAPACITOR >			
C3103	1-164-230-11	CERAMIC CHIP 220PF 5%	50V
C3104	1-164-230-11	CERAMIC CHIP 220PF 5%	50V
C3106	1-125-972-91	ELECT 100uF 20%	16V
C3110	1-106-363-00	MYLAR 0.0068uF 5%	200V
C3113	1-115-339-11	CERAMIC CHIP 0.1uF 10%	50V
C3114	1-128-131-11	ELECT 22uF 20%	50V
C3115	1-115-339-11	CERAMIC CHIP 0.1uF 10%	50V
C3116	1-107-726-91	CERAMIC CHIP 0.01uF 10%	16V
C3117	1-107-726-91	CERAMIC CHIP 0.01uF 10%	16V
C3118	1-115-339-11	CERAMIC CHIP 0.1uF 10%	50V
C3120	1-164-217-11	CERAMIC CHIP 150PF 5%	50V
C3121	1-164-217-11	CERAMIC CHIP 150PF 5%	50V
< CONNECTOR >			
CN3101	1-774-729-21	PIN, CONNECTOR (PC BOARD) 10P	
< DIODE >			
D3102	8-719-067-40	DIODE STZ6.8N-T146	
D3103	8-719-067-40	DIODE STZ6.8N-T146	
D3104	8-719-067-40	DIODE STZ6.8N-T146	
D3105	8-719-067-40	DIODE STZ6.8N-T146	
D3106	8-719-067-40	DIODE STZ6.8N-T146	
D3107	8-719-067-40	DIODE STZ6.8N-T146	
D3108	8-719-988-61	DIODE 1SS355TE-17	
D3109	8-719-988-61	DIODE 1SS355TE-17	
D3110	8-719-988-61	DIODE 1SS355TE-17	
D3111	8-719-988-61	DIODE 1SS355TE-17	
D3112	8-719-056-82	DIODE UDZ-TE-17-6.2B	
< FERRITE BEAD >			
FB3101	1-414-228-11	INDUCTOR, FERRITE BEAD	
FB3102	1-414-228-11	INDUCTOR, FERRITE BEAD	

Ref. No.	Part No.	Description	Remarks
< IC >			
IC3101	8-759-643-83	IC uPD16315GB-3BS	
< JACK >			
J3101	1-780-049-11	TERMINAL BOARD (S TERMINAL+3P)	
< COIL >			
L3101	1-412-537-31	INDUCTOR 100uH	
< FLUORESCENT INDICATOR TUBE >			
* ND3101	1-519-849-21	INDICATOR TUBE, FLUORESCENT	
< TRANSISTOR >			
Q3101	8-729-901-88	TRANSISTOR 2SC2411K-CR	
Q3102	8-729-901-88	TRANSISTOR 2SC2411K-CR	
< RESISTOR >			
R3101	1-218-285-11	METAL CHIP 75 5%	1/10W
R3102	1-218-285-11	METAL CHIP 75 5%	1/10W
R3103	1-216-864-11	SHORT CHIP 0	
R3104	1-216-864-11	SHORT CHIP 0	
R3105	1-216-864-11	SHORT CHIP 0	
R3108	1-218-285-11	METAL CHIP 75 5%	1/10W
R3109	1-216-864-11	SHORT CHIP 0	
R3111	1-216-827-11	METAL CHIP 3.3K 5%	1/10W
R3113	1-216-849-11	METAL CHIP 220K 5%	1/10W
R3114	1-216-849-11	METAL CHIP 220K 5%	1/10W
R3115	1-216-838-11	METAL CHIP 27K 5%	1/10W
R3116	1-216-845-11	METAL CHIP 100K 5%	1/10W
R3123	1-216-295-91	SHORT CHIP 0	
R3124	1-216-295-91	SHORT CHIP 0	
< SWITCH >			
S3101	1-771-410-21	SWITCH, TACTILE (POWER)	
< TRANSFORMER >			
* T3101	1-445-017-11	TRANSFORMER, DC-DC CONVERTER	
Not supplied	FR-240 BOARD, COMPLETE		

< CAPACITOR >			
C3001	1-107-726-91	CERAMIC CHIP 0.01uF 10%	16V
C3002	1-107-826-11	CERAMIC CHIP 0.1uF 10%	16V
C3004	1-107-726-91	CERAMIC CHIP 0.01uF 10%	16V
< CONNECTOR >			
CN3003	1-815-383-11	CONNECTOR, FPC/FFC 15P	
CN3004	1-785-828-21	CONNECTOR, SQUARE TYPE 4P (DV IN)	
CN3005	1-573-806-21	PIN, CONNECTOR (1.5MM) (SMD) 6P	
< DIODE >			
D3002	8-719-077-79	DIODE SLR-332VRT32 (SYNCHRO REC)	
D3003	8-719-077-79	DIODE SLR-332VRT32 (TIMER REC)	
D3004	6-500-176-01	DIODE EB3804X-TP-J555K (HDD)	
D3005	8-719-084-27	DIODE SLI-343YCT32WST (DVD)	

Note : The components identified by mark △ or dotted line with mark △ are critical for safety. Replace only with part number specified.

Ref. No.	Part No.	Description	Remarks	Ref. No.	Part No.	Description	Remarks
		< IC >			A-1183-523-A	RD-060 BOARD, COMPLETE (HX520:AEP1,2)	
IC3001	6-706-783-01	IC BU2050F-E2			A-1183-524-A	RD-060 BOARD, COMPLETE (HX525)	
* IC3002	6-600-500-01	IC GP1UM28XK0SF			A-1183-525-A	RD-060 BOARD, COMPLETE (HX520:AEP3)	
		< TRANSISTOR >			A-1183-526-A	RD-060 BOARD, COMPLETE (HX725:AEP1)	
Q3001	8-729-421-22	TRANSISTOR UN2211			A-1183-527-A	RD-060 BOARD, COMPLETE (HX725:UK)	
Q3002	6-550-280-01	TRANSISTOR BC857CE6327			A-1183-528-A	RD-060 BOARD, COMPLETE (HX727:AEP1)	
		< RESISTOR >			A-1183-530-A	RD-060 BOARD, COMPLETE (HX725:AEP3)	
R3001	1-216-295-91	SHORT CHIP 0			A-1183-531-A	RD-060 BOARD, COMPLETE (HX925)	
R3003	1-216-864-11	SHORT CHIP 0			A-1183-532-A	RD-060 BOARD, COMPLETE (HX920)	
R3004	1-216-829-11	METAL CHIP 4.7K 5%	1/10W		A-1185-667-A	RD-060 BOARD, COMPLETE (HX720:AEP2)	
R3005	1-216-825-11	METAL CHIP 2.2K 5%	1/10W		A-1185-668-A	RD-060 BOARD, COMPLETE (HX722)	
R3006	1-216-813-11	METAL CHIP 220 5%	1/10W		A-1194-638-A	RD-060 BOARD, COMPLETE (HX520:UK)	
R3007	1-216-813-11	METAL CHIP 220 5%	1/10W		A-1194-639-A	RD-060 BOARD, COMPLETE (HX720:UK)	
R3008	1-216-864-11	SHORT CHIP 0			A-1194-640-A	RD-060 BOARD, COMPLETE (HX727:AEP3)	
R3009	1-216-806-11	METAL CHIP 56 5%	1/10W		*****		
R3010	1-216-811-11	METAL CHIP 150 5%	1/10W		< CAPACITOR >		
R3012	1-216-864-11	SHORT CHIP 0		C101	1-127-715-91	CERAMIC CHIP 0.22uF 10%	16V
R3013	1-218-855-11	METAL CHIP 2.2K 0.5%	1/10W	C102	1-164-943-81	CERAMIC CHIP 0.01uF 10%	16V
R3014	1-216-825-11	METAL CHIP 2.2K 5%	1/10W	C103	1-165-887-91	CERAMIC CHIP 0.22uF 10%	6.3V
R3015	1-216-827-11	METAL CHIP 3.3K 5%	1/10W	C104	1-164-943-81	CERAMIC CHIP 0.01uF 10%	16V
R3016	1-216-830-11	METAL CHIP 5.6K 5%	1/10W	C107	1-125-777-11	CERAMIC CHIP 0.1uF 10%	10V
R3017	1-216-832-11	METAL CHIP 8.2K 5%	1/10W	C109	1-126-246-11	ELECT CHIP 220uF 20%	4V
R3018	1-216-825-11	METAL CHIP 2.2K 5%	1/10W	C110	1-125-777-11	CERAMIC CHIP 0.1uF 10%	10V
R3019	1-216-825-11	METAL CHIP 2.2K 5%	1/10W	C111	1-125-777-11	CERAMIC CHIP 0.1uF 10%	10V
R3020	1-216-827-11	METAL CHIP 3.3K 5%	1/10W	C112	1-125-777-11	CERAMIC CHIP 0.1uF 10%	10V
R3023	1-216-825-11	METAL CHIP 2.2K 5%	1/10W	C113	1-125-777-11	CERAMIC CHIP 0.1uF 10%	10V
R3024	1-216-825-11	METAL CHIP 2.2K 5%	1/10W	C114	1-125-777-11	CERAMIC CHIP 0.1uF 10%	10V
		< SWITCH >		C115	1-125-777-11	CERAMIC CHIP 0.1uF 10%	10V
S3001	1-771-410-21	SWITCH, TACTILE (PLAY)		C116	1-125-777-11	CERAMIC CHIP 0.1uF 10%	10V
S3002	1-771-410-21	SWITCH, TACTILE (REC STOP)		C117	1-125-777-11	CERAMIC CHIP 0.1uF 10%	10V
S3003	1-771-410-21	SWITCH, TACTILE (REC)		C118	1-125-777-11	CERAMIC CHIP 0.1uF 10%	10V
S3004	1-771-410-21	SWITCH, TACTILE (STOP)		C119	1-125-777-11	CERAMIC CHIP 0.1uF 10%	10V
S3005	1-771-410-21	SWITCH, TACTILE (DUB)		C120	1-125-777-11	CERAMIC CHIP 0.1uF 10%	10V
S3006	1-771-410-21	SWITCH, TACTILE (OPEN/CLOSE)		C121	1-125-777-11	CERAMIC CHIP 0.1uF 10%	10V
S3007	1-771-410-21	SWITCH, TACTILE (CH +)		C122	1-125-777-11	CERAMIC CHIP 0.1uF 10%	10V
S3008	1-771-410-21	SWITCH, TACTILE (CH -)		C123	1-125-777-11	CERAMIC CHIP 0.1uF 10%	10V
S3009	1-771-410-21	SWITCH, TACTILE (REC MODE)		C124	1-165-908-11	CERAMIC CHIP 1uF 10%	10V
S3012	1-771-410-21	SWITCH, TACTILE (DVD)		C125	1-128-994-21	ELECT CHIP 47uF 20%	10V
S3013	1-771-410-21	SWITCH, TACTILE (HDD)		C126	1-126-209-11	ELECT CHIP 100uF 20%	4V
S3014	1-771-410-21	SWITCH, TACTILE (INPUT SELECT)		C127	1-128-994-21	ELECT CHIP 47uF 20%	10V
				C128	1-125-777-11	CERAMIC CHIP 0.1uF 10%	10V
				C129	1-125-777-11	CERAMIC CHIP 0.1uF 10%	10V
				C130	1-125-777-11	CERAMIC CHIP 0.1uF 10%	10V
				C131	1-125-777-11	CERAMIC CHIP 0.1uF 10%	10V
				C132	1-125-777-11	CERAMIC CHIP 0.1uF 10%	10V
				C133	1-125-777-11	CERAMIC CHIP 0.1uF 10%	10V
				C134	1-125-777-11	CERAMIC CHIP 0.1uF 10%	10V
				C135	1-125-777-11	CERAMIC CHIP 0.1uF 10%	10V
				C136	1-125-777-11	CERAMIC CHIP 0.1uF 10%	10V
				C137	1-125-777-11	CERAMIC CHIP 0.1uF 10%	10V
				C138	1-125-777-11	CERAMIC CHIP 0.1uF 10%	10V
				C139	1-125-777-11	CERAMIC CHIP 0.1uF 10%	10V
				C140	1-125-777-11	CERAMIC CHIP 0.1uF 10%	10V
				C141	1-125-777-11	CERAMIC CHIP 0.1uF 10%	10V
				C142	1-125-777-11	CERAMIC CHIP 0.1uF 10%	10V
				C143	1-125-777-11	CERAMIC CHIP 0.1uF 10%	10V
				C144	1-125-777-11	CERAMIC CHIP 0.1uF 10%	10V
				C145	1-125-777-11	CERAMIC CHIP 0.1uF 10%	10V
				C146	1-125-777-11	CERAMIC CHIP 0.1uF 10%	10V
				C147	1-125-777-11	CERAMIC CHIP 0.1uF 10%	10V
				C148	1-125-777-11	CERAMIC CHIP 0.1uF 10%	10V

Ref. No.	Part No.	Description	Remarks	Ref. No.	Part No.	Description	Remarks
C330	1-164-849-11	CERAMIC CHIP 9PF 0.5PF 50V (HX520:AEP3/HX725:AEP3/HX727:AEP3/HX920/HX925)		C805	1-125-777-11	CERAMIC CHIP 0.1uF 10% 10V	
C331	1-164-849-11	CERAMIC CHIP 9PF 0.5PF 50V (HX520:AEP3/HX725:AEP3/HX727:AEP3/HX920/HX925)		C806	1-164-943-81	CERAMIC CHIP 0.01uF 10% 16V	
C332	1-125-777-11	CERAMIC CHIP 0.1uF 10% 10V (HX520:AEP3/HX725:AEP3/HX727:AEP3/HX920/HX925)		C807	1-164-854-11	CERAMIC CHIP 15PF 5% 50V	
C333	1-125-777-11	CERAMIC CHIP 0.1uF 10% 10V (HX520:AEP3/HX725:AEP3/HX727:AEP3/HX920/HX925)		C808	1-164-854-11	CERAMIC CHIP 15PF 5% 50V	
C334	1-125-777-11	CERAMIC CHIP 0.1uF 10% 10V (HX520:AEP3/HX725:AEP3/HX727:AEP3/HX920/HX925)		C809	1-164-943-81	CERAMIC CHIP 0.01uF 10% 16V	
C335	1-125-777-11	CERAMIC CHIP 0.1uF 10% 10V (HX520:AEP3/HX725:AEP3/HX727:AEP3/HX920/HX925)		C810	1-164-943-81	CERAMIC CHIP 0.01uF 10% 16V	
C336	1-125-777-11	CERAMIC CHIP 0.1uF 10% 10V (HX520:AEP3/HX725:AEP3/HX727:AEP3/HX920/HX925)		C811	1-164-943-81	CERAMIC CHIP 0.01uF 10% 16V	
C337	1-125-777-11	CERAMIC CHIP 0.1uF 10% 10V (HX520:AEP3/HX725:AEP3/HX727:AEP3/HX920/HX925)		C812	1-165-887-91	CERAMIC CHIP 0.22uF 10% 6.3V	
C338	1-125-777-11	CERAMIC CHIP 0.1uF 10% 10V (HX520:AEP3/HX725:AEP3/HX727:AEP3/HX920/HX925)		C813	1-124-779-00	ELECT CHIP 10uF 20% 16V	
C339	1-164-943-81	CERAMIC CHIP 0.01uF 10% 16V (HX520:AEP3/HX725:AEP3/HX727:AEP3/HX920/HX925)		C816	1-165-887-91	CERAMIC CHIP 0.22uF 10% 6.3V	
C340	1-164-943-81	CERAMIC CHIP 0.01uF 10% 16V (HX520:AEP3/HX725:AEP3/HX727:AEP3/HX920)		C817	1-128-994-21	ELECT CHIP 47uF 20% 10V	
C501	1-137-710-11	CERAMIC CHIP 10uF 20% 6.3V		C1006	1-164-943-81	CERAMIC CHIP 0.01uF 10% 16V	
C502	1-125-777-11	CERAMIC CHIP 0.1uF 10% 10V		C1008	1-125-777-11	CERAMIC CHIP 0.1uF 10% 10V	
C505	1-125-777-11	CERAMIC CHIP 0.1uF 10% 10V		C1009	1-125-777-11	CERAMIC CHIP 0.1uF 10% 10V	
C506	1-125-777-11	CERAMIC CHIP 0.1uF 10% 10V		C1010	1-125-777-11	CERAMIC CHIP 0.1uF 10% 10V	
C601	1-164-943-81	CERAMIC CHIP 0.01uF 10% 16V		C1011	1-125-777-11	CERAMIC CHIP 0.1uF 10% 10V	
C602	1-137-710-11	CERAMIC CHIP 10uF 20% 6.3V		C1012	1-125-777-11	CERAMIC CHIP 0.1uF 10% 10V	
C603	1-137-710-11	CERAMIC CHIP 10uF 20% 6.3V		C1013	1-125-777-11	CERAMIC CHIP 0.1uF 10% 10V	
C606	1-137-710-11	CERAMIC CHIP 10uF 20% 6.3V		C1014	1-125-777-11	CERAMIC CHIP 0.1uF 10% 10V	
C607	1-137-710-11	CERAMIC CHIP 10uF 20% 6.3V		C1015	1-125-777-11	CERAMIC CHIP 0.1uF 10% 10V	
C609	1-128-994-21	ELECT CHIP 47uF 20% 10V		C1028	1-165-908-11	CERAMIC CHIP 1uF 10% 10V	
C610	1-128-994-21	ELECT CHIP 47uF 20% 10V		C1029	1-137-710-11	CERAMIC CHIP 10uF 20% 6.3V	
C611	1-165-908-11	CERAMIC CHIP 1uF 10% 10V		C1030	1-125-777-11	CERAMIC CHIP 0.1uF 10% 10V	
C614	1-125-777-11	CERAMIC CHIP 0.1uF 10% 10V		C1031	1-125-777-11	CERAMIC CHIP 0.1uF 10% 10V	
C615	1-125-777-11	CERAMIC CHIP 0.1uF 10% 10V		C1032	1-125-777-11	CERAMIC CHIP 0.1uF 10% 10V	
C616	1-164-937-11	CERAMIC CHIP 0.001uF 10% 50V		C1033	1-127-715-91	CERAMIC CHIP 0.22uF 10% 16V	
C617	1-125-777-11	CERAMIC CHIP 0.1uF 10% 10V		C1034	1-165-887-91	CERAMIC CHIP 0.22uF 10% 6.3V	
C618	1-125-777-11	CERAMIC CHIP 0.1uF 10% 10V		C1035	1-164-943-81	CERAMIC CHIP 0.01uF 10% 16V	
C619	1-125-777-11	CERAMIC CHIP 0.1uF 10% 10V		C1036	1-165-908-11	CERAMIC CHIP 1uF 10% 10V	
C620	1-162-960-11	CERAMIC CHIP 220PF 10% 50V		C1037	1-164-943-81	CERAMIC CHIP 0.01uF 10% 16V	
C621	1-164-943-81	CERAMIC CHIP 0.01uF 10% 16V		* C1038	1-112-833-11	ELECT CHIP 68uF 20% 16V	
C622	1-125-777-11	CERAMIC CHIP 0.1uF 10% 10V				< CONNECTOR >	
C623	1-137-710-11	CERAMIC CHIP 10uF 20% 6.3V (HX520:AEP3/HX725:AEP3/HX727:AEP3/HX920/HX925)		CN101	1-818-857-51	CONNECTOR, FFC/FPC 40P	
C701	1-137-710-11	CERAMIC CHIP 10uF 20% 6.3V		CN601	1-816-339-21	CONNECTOR, BOARD TO BOARD 9P	
C702	1-164-943-81	CERAMIC CHIP 0.01uF 10% 16V		CN701	1-573-806-21	PIN, CONNECTOR (1.5MM) (SMD) 6P	
C703	1-164-943-81	CERAMIC CHIP 0.01uF 10% 16V				< FERRITE BEAD >	
C704	1-164-943-81	CERAMIC CHIP 0.01uF 10% 16V		FB101	1-400-794-21	EMI FERRITE (SMD) (1608)	
C705	1-164-943-81	CERAMIC CHIP 0.01uF 10% 16V		FB103	1-400-794-21	EMI FERRITE (SMD) (1608)	
C706	1-164-849-11	CERAMIC CHIP 9PF 0.5PF 50V		FB106	1-469-670-21	FERRITE, EMI (SMD) (2012)	
C707	1-164-849-11	CERAMIC CHIP 9PF 0.5PF 50V		FB107	1-469-670-21	FERRITE, EMI (SMD) (2012)	
C708	1-164-943-81	CERAMIC CHIP 0.01uF 10% 16V		FB110	1-469-670-21	FERRITE, EMI (SMD) (2012)	
C710	1-164-943-81	CERAMIC CHIP 0.01uF 10% 16V		FB111	1-400-794-21	EMI FERRITE (SMD) (1608)	
C711	1-164-943-81	CERAMIC CHIP 0.01uF 10% 16V		FB112	1-400-794-21	EMI FERRITE (SMD) (1608)	
C712	1-164-943-81	CERAMIC CHIP 0.01uF 10% 16V		FB602	1-400-794-21	EMI FERRITE (SMD) (1608)	
C713	1-164-943-81	CERAMIC CHIP 0.01uF 10% 16V		FB603	1-400-794-21	EMI FERRITE (SMD) (1608)	
C714	1-164-943-81	CERAMIC CHIP 0.01uF 10% 16V		FB604	1-400-794-21	EMI FERRITE (SMD) (1608)	
C715	1-125-837-91	CERAMIC CHIP 1uF 10% 6.3V		FB605	1-400-794-21	EMI FERRITE (SMD) (1608)	
C716	1-112-001-81	CERAMIC CHIP 270PF 5% 50V		FB606	1-469-084-21	FERRITE 0mH	
C803	1-137-710-11	CERAMIC CHIP 10uF 20% 6.3V				< FLUORESCENT INDICATOR >	
C804	1-137-710-11	CERAMIC CHIP 10uF 20% 6.3V		FL501	1-234-867-11	FILTER, EMI REMOVAL (SMD)	
				FL702	1-234-867-11	FILTER, EMI REMOVAL (SMD)	
				FL801	1-234-867-11	FILTER, EMI REMOVAL (SMD)	

RD-060

Ref. No.	Part No.	Description	Remarks	Ref. No.	Part No.	Description	Remarks
		< IC >		R108	1-218-990-81	SHORT CHIP	0
IC101	6-702-302-01	IC TK11133CSCL-G		R109	1-218-941-81	RES-CHIP	100 5% 1/16W
IC102	6-704-573-01	IC M24C32-WMN6T (B)		R110	1-218-990-81	SHORT CHIP	0
IC103	6-708-896-01	IC R8A34012BG		R111	1-218-941-81	RES-CHIP	100 5% 1/16W
IC105	6-708-305-01	IC K4H511638C-UCB3T		R112	1-218-990-81	SHORT CHIP	0
IC106	6-708-305-01	IC K4H511638C-UCB3T		R113	1-218-953-11	RES-CHIP	1K 5% 1/16W
IC108	6-708-935-01	IC MM1762FHBE		R114	1-218-965-11	RES-CHIP	10K 5% 1/16W
IC109	6-702-302-01	IC TK11133CSCL-G		R115	1-218-962-11	RES-CHIP	5.6K 5% 1/16W
IC201	6-806-103-01	IC 88SA8040-TBC1C000		R116	1-218-961-11	RES-CHIP	4.7K 5% 1/16W
IC202	6-705-311-01	IC S-T111B18MC-OGDTFG		R123	1-218-965-11	RES-CHIP	10K 5% 1/16W
* IC301	6-708-848-01	IC TVP5146M2PFP (HX520:AEP3/HX725:AEP3/HX920/HX925)		R124	1-218-957-11	RES-CHIP	2.2K 5% 1/16W
				R125	1-218-957-11	RES-CHIP	2.2K 5% 1/16W
IC302	6-708-882-01	IC BH18MA3WHFV-TR (HX520:AEP3/HX725:AEP3/HX920/HX925)		R126	1-218-957-11	RES-CHIP	2.2K 5% 1/16W
				R127	1-218-957-11	RES-CHIP	2.2K 5% 1/16W
* IC502	6-708-924-01	IC S29GL256N90TFIR20		R128	1-218-990-81	SHORT CHIP	0
IC601	6-708-889-01	IC MP2105DJ-LF-Z		R129	1-218-935-11	RES-CHIP	33 5% 1/16W
IC602	6-706-237-01	IC PQ1MX55M2SPQ		R130	1-218-990-81	SHORT CHIP	0
IC604	8-759-660-23	IC SN74HCT08APWR		R131	1-218-933-11	RES-CHIP	22 5% 1/16W
				R132	1-218-933-11	RES-CHIP	22 5% 1/16W
IC605	8-759-548-99	IC SN74LV08APWR		R133	1-218-990-81	SHORT CHIP	0
IC606	6-703-224-01	IC S-80828CNNB-B8NT2G		R134	1-218-933-11	RES-CHIP	22 5% 1/16W
IC701	6-706-365-01	IC uPD72852AGB-8EU-A		R135	1-218-990-81	SHORT CHIP	0
* IC802	6-708-929-01	IC ICS650G-42LFT		R136	1-218-935-11	RES-CHIP	33 5% 1/16W
IC803	6-708-888-01	IC WM8590GEDS/RV		R137	1-218-973-11	RES-CHIP	47K 5% 1/16W
		< COIL >		R138	1-218-973-11	RES-CHIP	47K 5% 1/16W
L101	1-469-555-21	INDUCTOR 10uH		R139	1-218-973-11	RES-CHIP	47K 5% 1/16W
L102	1-469-555-21	INDUCTOR 10uH		R140	1-218-973-11	RES-CHIP	47K 5% 1/16W
L201	1-469-555-21	INDUCTOR 10uH		R141	1-218-973-11	RES-CHIP	47K 5% 1/16W
L202	1-469-555-21	INDUCTOR 10uH		R142	1-218-973-11	RES-CHIP	47K 5% 1/16W
L301	1-469-555-21	INDUCTOR 10uH (HX520:AEP3/HX725:AEP3/HX727:AEP3/HX920/HX925)		R143	1-208-699-11	METAL CHIP	4.7K 0.5% 1/16W
				R145	1-218-973-11	RES-CHIP	47K 5% 1/16W
L302	1-469-555-21	INDUCTOR 10uH (HX520:AEP3/HX725:AEP3/HX727:AEP3/HX920/HX925)		R146	1-208-699-11	METAL CHIP	4.7K 0.5% 1/16W
				R147	1-218-933-11	RES-CHIP	22 5% 1/16W
L303	1-469-555-21	INDUCTOR 10uH (HX520:AEP3/HX725:AEP3/HX727:AEP3/HX920/HX925)		R148	1-218-933-11	RES-CHIP	22 5% 1/16W
				R149	1-218-939-11	RES-CHIP	68 5% 1/16W
L601	1-419-630-21	INDUCTOR 4.7uH		R160	1-218-990-81	SHORT CHIP	0
L602	1-400-073-21	INDUCTOR 4.7uH		R161	1-218-990-81	SHORT CHIP	0
L603	1-469-555-21	INDUCTOR 10uH (HX520:AEP3/HX725:AEP3/HX727:AEP3/HX920/HX925)		R162	1-218-851-11	METAL CHIP	1.5K 0.5% 1/10W
				R163	1-218-851-11	METAL CHIP	1.5K 0.5% 1/10W
		< LINE FILTER >		R164	1-211-977-11	METAL CHIP	22 0.5% 1/10W
LF701	1-400-476-11	COMMON MODE CHOKE COIL		R165	1-211-977-11	METAL CHIP	22 0.5% 1/10W
		< TRANSISTOR >		R166	1-218-827-11	METAL CHIP	150 0.5% 1/10W
Q601	6-550-280-01	TRANSISTOR BC857CE6327		R167	1-218-827-11	METAL CHIP	150 0.5% 1/10W
Q602	6-550-280-01	TRANSISTOR BC857CE6327		R168	1-218-827-11	METAL CHIP	150 0.5% 1/10W
Q603	6-550-280-01	TRANSISTOR BC857CE6327		R169	1-218-827-11	METAL CHIP	150 0.5% 1/10W
Q604	6-550-280-01	TRANSISTOR BC857CE6327		R170	1-218-827-11	METAL CHIP	150 0.5% 1/10W
Q605	6-550-280-01	TRANSISTOR BC857CE6327		R171	1-218-935-11	RES-CHIP	33 5% 1/16W
Q606	6-550-280-01	TRANSISTOR BC857CE6327 (HX520:AEP3/HX725:AEP3/HX727:AEP3/HX920/HX925)		R172	1-218-933-11	RES-CHIP	22 5% 1/16W
				R173	1-218-933-11	RES-CHIP	22 5% 1/16W
Q607	6-550-280-01	TRANSISTOR BC857CE6327 (HX520:AEP3/HX725:AEP3/HX727:AEP3/HX920/HX925)		R174	1-218-933-11	RES-CHIP	22 5% 1/16W
		< RESISTOR >		R175	1-218-933-11	RES-CHIP	22 5% 1/16W
R103	1-218-990-81	SHORT CHIP	0	R180	1-218-965-11	RES-CHIP	10K 5% 1/16W
R104	1-218-990-81	SHORT CHIP	0	R181	1-218-965-11	RES-CHIP	10K 5% 1/16W
R105	1-218-990-81	SHORT CHIP	0	R182	1-218-945-11	RES-CHIP	220 5% 1/16W
R106	1-218-941-81	RES-CHIP	100 5% 1/16W	R183	1-218-945-11	RES-CHIP	220 5% 1/16W
R107	1-218-990-81	SHORT CHIP	0	R190	1-208-699-11	METAL CHIP	4.7K 0.5% 1/16W
				R191	1-208-699-11	METAL CHIP	4.7K 0.5% 1/16W
				R192	1-208-699-11	METAL CHIP	4.7K 0.5% 1/16W
				R193	1-208-699-11	METAL CHIP	4.7K 0.5% 1/16W
				R196	1-218-953-11	RES-CHIP	1K 5% 1/16W

Ref. No.	Part No.	Description	Quantity	Unit	Remarks	Ref. No.	Part No.	Description	Quantity	Unit	Remarks
R197	1-216-864-11	SHORT CHIP	0			R318	1-218-941-81	RES-CHIP	100	5%	1/16W
R198	1-218-933-11	RES-CHIP	22	5%	1/16W			(HX520:AEP3/HX725:AEP3/HX727:AEP3/HX920/HX925)			
R223	1-218-940-11	RES-CHIP	82	5%	1/16W	R322	1-218-957-11	RES-CHIP	2.2K	5%	1/16W
R224	1-218-933-11	RES-CHIP	22	5%	1/16W			(HX520:AEP3/HX725:AEP3/HX727:AEP3/HX920/HX925)			
R225	1-218-940-11	RES-CHIP	82	5%	1/16W	R323	1-218-957-11	RES-CHIP	2.2K	5%	1/16W
								(HX520:AEP3/HX725:AEP3/HX727:AEP3/HX920/HX925)			
R226	1-218-940-11	RES-CHIP	82	5%	1/16W	R325	1-218-941-81	RES-CHIP	100	5%	1/16W
R227	1-218-933-11	RES-CHIP	22	5%	1/16W			(HX520:AEP3/HX725:AEP3/HX727:AEP3/HX920/HX925)			
R228	1-218-940-11	RES-CHIP	82	5%	1/16W	R325	1-218-990-81	SHORT CHIP	0		(HX925)
R229	1-218-933-11	RES-CHIP	22	5%	1/16W						
R231	1-218-940-11	RES-CHIP	82	5%	1/16W	R328	1-218-965-11	RES-CHIP	10K	5%	1/16W
								(HX520:AEP3/HX725:AEP3/HX727:AEP3/HX920/HX925)			
R233	1-218-953-11	RES-CHIP	1K	5%	1/16W	R329	1-218-990-81	SHORT CHIP	0		(HX520:AEP3/HX725:AEP3/HX727:AEP3/HX920/HX925)
R237	1-216-864-11	SHORT CHIP	0								
R238	1-218-953-11	RES-CHIP	1K	5%	1/16W	R336	1-218-965-11	RES-CHIP	10K	5%	1/16W
R240	1-218-953-11	RES-CHIP	1K	5%	1/16W			(HX520:AEP3/HX725:AEP3/HX727:AEP3/HX920/HX925)			
R243	1-218-953-11	RES-CHIP	1K	5%	1/16W	R337	1-218-965-11	RES-CHIP	10K	5%	1/16W
								(HX520:AEP3/HX725:AEP3/HX727:AEP3/HX920/HX925)			
R245	1-218-949-11	RES-CHIP	470	5%	1/16W	R338	1-218-990-81	SHORT CHIP	0		(HX520:AEP3/HX725:AEP3/HX727:AEP3/HX920/HX925)
R246	1-218-989-11	RES-CHIP	1M	5%	1/16W						
R247	1-218-953-11	RES-CHIP	1K	5%	1/16W	R504	1-218-961-11	RES-CHIP	4.7K	5%	1/16W
R248	1-208-709-11	METAL CHIP	12K	0.5%	1/16W	R513	1-218-965-11	RES-CHIP	10K	5%	1/16W
R249	1-218-941-11	RES-CHIP	100	5%	1/16W	R518	1-218-965-11	RES-CHIP	10K	5%	1/16W
						R519	1-218-965-11	RES-CHIP	10K	5%	1/16W
R250	1-216-864-11	SHORT CHIP	0			R522	1-216-864-11	SHORT CHIP	0		
R252	1-216-864-11	SHORT CHIP	0								
R258	1-218-953-11	RES-CHIP	1K	5%	1/16W	R523	1-218-965-11	RES-CHIP	10K	5%	1/16W
R261	1-218-965-11	RES-CHIP	10K	5%	1/16W	R524	1-218-990-81	SHORT CHIP	0		
R265	1-218-965-11	RES-CHIP	10K	5%	1/16W	R525	1-218-990-81	SHORT CHIP	0		
						R532	1-218-962-11	RES-CHIP	5.6K	5%	1/16W
R267	1-218-953-11	RES-CHIP	1K	5%	1/16W	R533	1-218-990-81	SHORT CHIP	0		
R269	1-218-953-11	RES-CHIP	1K	5%	1/16W						
R270	1-218-953-11	RES-CHIP	1K	5%	1/16W	R535	1-218-962-11	RES-CHIP	5.6K	5%	1/16W
R272	1-218-953-11	RES-CHIP	1K	5%	1/16W	R547	1-218-990-81	SHORT CHIP	0		
R274	1-218-965-11	RES-CHIP	10K	5%	1/16W	R549	1-218-990-81	SHORT CHIP	0		
						R551	1-218-990-81	SHORT CHIP	0		
R276	1-218-953-11	RES-CHIP	1K	5%	1/16W	R552	1-218-990-81	SHORT CHIP	0		
R279	1-218-990-81	SHORT CHIP	0								
R282	1-218-990-81	SHORT CHIP	0			R553	1-218-990-81	SHORT CHIP	0		
R303	1-218-933-11	RES-CHIP	22	5%	1/16W	R554	1-218-990-81	SHORT CHIP	0		
		(HX520:AEP3/HX725:AEP3/HX727:AEP3/HX920/HX925)				R555	1-218-990-81	SHORT CHIP	0		
R304	1-218-933-11	RES-CHIP	22	5%	1/16W	R556	1-218-990-81	SHORT CHIP	0		
		(HX520:AEP3/HX725:AEP3/HX727:AEP3/HX920/HX925)				R557	1-218-990-81	SHORT CHIP	0		
R305	1-218-933-11	RES-CHIP	22	5%	1/16W						
		(HX520:AEP3/HX725:AEP3/HX727:AEP3/HX920/HX925)				R558	1-218-990-81	SHORT CHIP	0		
R306	1-218-933-11	RES-CHIP	22	5%	1/16W	R560	1-218-990-81	SHORT CHIP	0		
		(HX520:AEP3/HX725:AEP3/HX727:AEP3/HX920/HX925)				R603	1-218-942-11	RES-CHIP	120	5%	1/16W
R307	1-218-933-11	RES-CHIP	22	5%	1/16W	R605	1-218-942-11	RES-CHIP	120	5%	1/16W
		(HX520:AEP3/HX725:AEP3/HX727:AEP3/HX920/HX925)				R607	1-218-942-11	RES-CHIP	120	5%	1/16W
R308	1-218-990-81	SHORT CHIP	0								
		(HX520:AEP3/HX725:AEP3/HX727:AEP3/HX920/HX925)				R609	1-218-942-11	RES-CHIP	120	5%	1/16W
R312	1-218-990-81	SHORT CHIP	0			R611	1-218-942-11	RES-CHIP	120	5%	1/16W
		(HX520:AEP3/HX725:AEP3/HX727:AEP3/HX920/HX925)				R612	1-218-951-11	RES-CHIP	680	5%	1/16W
R313	1-218-990-81	SHORT CHIP	0			R613	1-218-990-81	SHORT CHIP	0		
		(HX520:AEP3/HX725:AEP3/HX727:AEP3/HX920/HX925)				R614	1-218-951-11	RES-CHIP	680	5%	1/16W
R314	1-218-977-11	RES-CHIP	100K	5%	1/16W						
		(HX520:AEP3/HX725:AEP3/HX727:AEP3/HX920/HX925)				R615	1-218-990-81	SHORT CHIP	0		
R315	1-218-933-11	RES-CHIP	22	5%	1/16W	R616	1-218-990-81	SHORT CHIP	0		
		(HX520:AEP3/HX725:AEP3/HX727:AEP3/HX920/HX925)				R617	1-218-951-11	RES-CHIP	680	5%	1/16W
R316	1-218-941-81	RES-CHIP	100	5%	1/16W	R618	1-218-951-11	RES-CHIP	680	5%	1/16W
		(HX520:AEP3/HX725:AEP3/HX727:AEP3/HX920/HX925)				R619	1-218-990-81	SHORT CHIP	0		
R317	1-218-933-11	RES-CHIP	22	5%	1/16W						
		(HX520:AEP3/HX725:AEP3/HX727:AEP3/HX920/HX925)				R620	1-218-990-81	SHORT CHIP	0		
						R621	1-218-951-11	RES-CHIP	680	5%	1/16W
						R623	1-218-978-11	RES-CHIP	120K	5%	1/16W
						* R624	1-208-940-81	METAL CHIP	160K	0.5%	1/16W
						R625	1-218-990-81	SHORT CHIP	0		

RD-060

Ref. No.	Part No.	Description	Quantity	Percentage	Remarks	Ref. No.	Part No.	Description	Quantity	Percentage	Remarks
R626	1-208-713-11	METAL CHIP	18K	0.5%	1/16W	R836	1-218-990-81	SHORT CHIP	0		
R627	1-208-911-11	METAL CHIP	10K	0.5%	1/16W			(EXCEPT HX520:AEP3/HX725:AEP3/HX727:AEP3/HX920/HX925)			
R628	1-216-295-91	SHORT CHIP	0			R839	1-218-990-81	SHORT CHIP	0		
R635	1-218-961-11	RES-CHIP	4.7K	5%	1/16W	R840	1-218-990-81	SHORT CHIP	0		
R638	1-218-990-81	SHORT CHIP	0			R841	1-218-990-81	SHORT CHIP	0		
R639	1-218-990-81	SHORT CHIP	0			R842	1-218-990-81	SHORT CHIP	0		
R640	1-218-990-81	SHORT CHIP	0			R1001	1-218-990-81	SHORT CHIP	0		
R641	1-218-990-81	SHORT CHIP	0			R1002	1-218-990-81	SHORT CHIP	0		
R642	1-218-977-11	RES-CHIP	100K	5%	1/16W	R1003	1-218-990-81	SHORT CHIP	0		
R643	1-218-990-81	SHORT CHIP	0			R1004	1-218-990-81	SHORT CHIP	0		
R644	1-218-990-81	SHORT CHIP	0			R1005	1-218-990-81	SHORT CHIP	0		
R645	1-218-990-81	SHORT CHIP	0			R1006	1-218-990-81	SHORT CHIP	0		
R646	1-218-990-81	SHORT CHIP	0			R1007	1-218-990-81	SHORT CHIP	0		
R647	1-218-949-11	RES-CHIP	470	5%	1/16W	R1008	1-218-990-81	SHORT CHIP	0		
		(HX520:AEP3/HX725:AEP3/HX727:AEP3/HX920/HX925)				R1009	1-218-953-11	RES-CHIP	1K	5%	1/16W
R648	1-218-990-81	SHORT CHIP	0			R1010	1-218-965-11	RES-CHIP	10K	5%	1/16W
		(EXCEPT HX520:AEP3/HX725:AEP3/HX727:AEP3/HX920/HX925)				R1011	1-218-962-11	RES-CHIP	5.6K	5%	1/16W
R649	1-218-941-81	RES-CHIP	100	5%	1/16W	R1012	1-218-990-81	SHORT CHIP	0		
		(HX520:AEP3/HX725:AEP3/HX727:AEP3/HX920/HX925)				R1030	1-218-965-11	RES-CHIP	10K	5%	1/16W
R650	1-218-949-11	RES-CHIP	470	5%	1/16W	R1035	1-218-990-81	SHORT CHIP	0		
		(HX520:AEP3/HX725:AEP3/HX727:AEP3/HX920/HX925)				R1037	1-218-961-11	RES-CHIP	4.7K	5%	1/16W
R651	1-218-990-81	SHORT CHIP	0			R1039	1-218-965-11	RES-CHIP	10K	5%	1/16W
		(EXCEPT HX520:AEP3/HX725:AEP3/HX727:AEP3/HX920/HX925)				R1040	1-218-937-11	RES-CHIP	47	5%	1/16W
R652	1-218-941-81	RES-CHIP	100	5%	1/16W	R1041	1-218-937-11	RES-CHIP	47	5%	1/16W
		(HX520:AEP3/HX725:AEP3/HX727:AEP3/HX920/HX925)				R1042	1-218-990-81	SHORT CHIP	0		
R655	1-218-990-81	SHORT CHIP	0			R1043	1-218-990-81	SHORT CHIP	0		
R656	1-216-295-91	SHORT CHIP	0			R1044	1-218-933-11	RES-CHIP	22	5%	1/16W
R658	1-216-821-11	METAL CHIP	1K	5%	1/10W	R1045	1-218-933-11	RES-CHIP	22	5%	1/16W
R661	1-218-990-81	SHORT CHIP	0			R1046	1-218-933-11	RES-CHIP	22	5%	1/16W
R701	1-216-864-11	SHORT CHIP	0			R1047	1-218-933-11	RES-CHIP	22	5%	1/16W
R703	1-218-941-81	RES-CHIP	100	5%	1/16W	R1051	1-218-953-11	RES-CHIP	1K	5%	1/16W
R705	1-218-965-11	RES-CHIP	10K	5%	1/16W	R1053	1-218-965-11	RES-CHIP	10K	5%	1/16W
R706	1-218-953-11	RES-CHIP	1K	5%	1/16W			(HX520:UK/HX525/HX720:UK/HX725/HX727/HX925)			
R709	1-218-941-81	RES-CHIP	100	5%	1/16W	R1054	1-218-965-11	RES-CHIP	10K	5%	1/16W
R710	1-218-965-11	RES-CHIP	10K	5%	1/16W	R1055	1-218-965-11	RES-CHIP	10K	5%	1/16W
R711	1-218-965-11	RES-CHIP	10K	5%	1/16W	R1056	1-218-965-11	RES-CHIP	10K	5%	1/16W
R712	1-218-965-11	RES-CHIP	10K	5%	1/16W			(HX520:AEP1,2,3/HX720:AEP2/HX722/HX920)			
R713	1-218-965-11	RES-CHIP	10K	5%	1/16W	R1060	1-218-990-81	SHORT CHIP	0		
R714	1-218-965-11	RES-CHIP	10K	5%	1/16W	R1061	1-218-990-81	SHORT CHIP	0		
R715	1-218-965-11	RES-CHIP	10K	5%	1/16W	R1062	1-218-990-81	SHORT CHIP	0		
R717	1-208-910-11	METAL CHIP	9.1K	0.5%	1/16W	R1063	1-218-990-81	SHORT CHIP	0		
R718	1-218-938-11	RES-CHIP	56	5%	1/16W	R1064	1-218-990-81	SHORT CHIP	0		
R719	1-218-938-11	RES-CHIP	56	5%	1/16W	R1065	1-218-990-81	SHORT CHIP	0		
R721	1-218-938-11	RES-CHIP	56	5%	1/16W	R1066	1-218-990-81	SHORT CHIP	0		
R722	1-218-938-11	RES-CHIP	56	5%	1/16W	R1067	1-218-990-81	SHORT CHIP	0		
R723	1-218-864-11	METAL CHIP	5.1K	0.5%	1/10W	R1068	1-218-941-81	RES-CHIP	100	5%	1/16W
R733	1-218-935-11	RES-CHIP	33	5%	1/16W			< COMPOSITION CIRCUIT BLOCK >			
R811	1-218-965-11	RES-CHIP	10K	5%	1/16W						
		(HX520:AEP3/HX725:AEP3/HX727:AEP3/HX920/HX925)				RB101	1-234-372-11	RES, NETWORK	100 (1005X4)		
R812	1-218-965-11	RES-CHIP	10K	5%	1/16W	RB102	1-234-372-11	RES, NETWORK	100 (1005X4)		
R816	1-218-937-11	RES-CHIP	47	5%	1/16W	RB103	1-234-372-11	RES, NETWORK	100 (1005X4)		
R817	1-218-935-11	RES-CHIP	33	5%	1/16W	RB104	1-234-372-11	RES, NETWORK	100 (1005X4)		
R821	1-218-957-11	RES-CHIP	2.2K	5%	1/16W	RB105	1-234-400-21	CONDUCTOR, NETWORK	(2010X4)		
R823	1-218-931-11	RES-CHIP	15	5%	1/16W	RB106	1-234-702-11	RES, NETWORK	68 (1005X4)		
R825	1-218-939-11	RES-CHIP	68	5%	1/16W	RB107	1-234-702-11	RES, NETWORK	68 (1005X4)		
R826	1-218-935-11	RES-CHIP	33	5%	1/16W	RB108	1-234-702-11	RES, NETWORK	68 (1005X4)		
R827	1-218-941-81	RES-CHIP	100	5%	1/16W	RB109	1-234-702-11	RES, NETWORK	68 (1005X4)		
						RB110	1-242-963-21	RES, NETWORK	33 (1005X4)		

Ref. No.	Part No.	Description	Remarks	Ref. No.	Part No.	Description	Remarks
RB111	1-242-963-21	RES, NETWORK 33 (1005X4)		RB601	1-234-381-21	RES, NETWORK 100K (1005X4)	
RB112	1-242-963-21	RES, NETWORK 33 (1005X4)		RB602	1-234-378-21	RES, NETWORK 10K (1005X4)	
RB113	1-242-963-21	RES, NETWORK 33 (1005X4)		RB701	1-234-371-21	RES, NETWORK 47 (1005X4)	
RB114	1-242-963-21	RES, NETWORK 33 (1005X4)		RB702	1-234-371-21	RES, NETWORK 47 (1005X4)	
RB115	1-242-963-21	RES, NETWORK 33 (1005X4)		RB703	1-234-371-21	RES, NETWORK 47 (1005X4)	
RB116	1-242-963-21	RES, NETWORK 33 (1005X4)				< VIBRATOR >	
RB117	1-242-963-21	RES, NETWORK 33 (1005X4)		X201	1-813-210-11	VIBRATOR, CRYSTAL (NX5032GA)	
RB118	1-242-963-21	RES, NETWORK 33 (1005X4)		X301	1-781-940-41	VIBRATOR, CRYSTAL (14.318MHz) (HX520:AEP3/HX725:AEP3/HX920/HX925)	
RB119	1-242-963-21	RES, NETWORK 33 (1005X4)		* X701	1-813-695-11	VIBRATOR, CRYSTAL (24.576MHz)	
RB120	1-242-963-21	RES, NETWORK 33 (1005X4)		X801	1-781-867-21	VIBRATOR, CRYSTAL (27MHz)	
RB121	1-242-963-21	RES, NETWORK 33 (1005X4)					
RB122	1-242-963-21	RES, NETWORK 33 (1005X4)					
RB123	1-242-963-21	RES, NETWORK 33 (1005X4)					
RB124	1-242-963-21	RES, NETWORK 33 (1005X4)					
RB124	1-242-963-21	RES, NETWORK 33 (1005X4)					
RB142	1-234-400-21	CONDUCTOR, NETWORK (2010X4)		△	1-468-961-11	POWER SUPPLY BLOCK *****	
RB143	1-234-702-11	RES, NETWORK 68 (1005X4)				<CAPACITOR>	
RB144	1-234-702-11	RES, NETWORK 68 (1005X4)					
RB145	1-234-702-11	RES, NETWORK 68 (1005X4)		△ C101	METALLIZED 0.1uF	250V	
RB146	1-234-702-11	RES, NETWORK 68 (1005X4)		△ C102	METALLIZED 0.1uF	250V	
RB149	1-234-400-21	CONDUCTOR, NETWORK (2010X4)		△ C103	CERAMIC 100pF	250V	
RB150	1-234-400-21	CONDUCTOR, NETWORK (2010X4)		△ C104	CERAMIC 100pF	250V	
RB151	1-234-400-21	CONDUCTOR, NETWORK (2010X4)		△ C112	CERAMIC 680pF	250V	
RB152	1-234-400-21	CONDUCTOR, NETWORK (2010X4)		△ C114	CERAMIC 680pF	250V	
RB154	1-234-400-21	CONDUCTOR, NETWORK (2010X4)				<FUSE>	
RB155	1-234-400-21	CONDUCTOR, NETWORK (2010X4)		△ F101	FUSE T3.15A/250V		
RB156	1-234-400-21	CONDUCTOR, NETWORK (2010X4)		△ P201	CHIP,FUSE 3.15A		
RB157	1-234-400-21	CONDUCTOR, NETWORK (2010X4)		△ P301	CHIP,FUSE 2A		
RB158	1-234-400-21	CONDUCTOR, NETWORK (2010X4)		△ P502	CHIP,FUSE 2A		
RB159	1-234-400-21	CONDUCTOR, NETWORK (2010X4)		△ P601	CHIP,FUSE 2A		
RB160	1-234-380-21	RES, NETWORK 47K (1005X4)		△ P602	CHIP,FUSE 5A		
RB161	1-234-380-21	RES, NETWORK 47K (1005X4)				<CONNECTOR>	
RB162	1-234-380-21	RES, NETWORK 47K (1005X4)					
RB163	1-234-380-21	RES, NETWORK 47K (1005X4)		△ CN101	AC-INLET		
RB168	1-234-380-21	RES, NETWORK 47K (1005X4) (EXCEPT HX520:AEP3/HX725:AEP3/HX727:AEP3/HX920/HX925)				<COIL>	
RB169	1-234-380-21	RES, NETWORK 47K (1005X4) (EXCEPT HX520:AEP3/HX725:AEP3/HX727:AEP3/HX920/HX925)		△ L101	LINE FILTER 0.4A		
RB170	1-234-380-21	RES, NETWORK 47K (1005X4) (EXCEPT HX520:AEP3/HX725:AEP3/HX727:AEP3/HX920/HX925)		△ L102	LINE FILTER 0.4A		
RB175	1-234-378-21	RES, NETWORK 10K (1005X4)				<RESISTOR>	
RB179	1-234-378-21	RES, NETWORK 10K (1005X4)					
RB180	1-234-378-21	RES, NETWORK 10K (1005X4)		△ R101	CARBON 220 1/2W		
RB181	1-234-378-21	RES, NETWORK 10K (1005X4)				<VARISTOR>	
RB182	1-234-378-21	RES, NETWORK 10K (1005X4)					
RB183	1-234-378-21	RES, NETWORK 10K (1005X4)		△ Z101	VARISTOR S10K300		
RB184	1-234-378-21	RES, NETWORK 10K (1005X4)				<PHOTO COUPLER>	
RB185	1-234-378-21	RES, NETWORK 10K (1005X4)					
RB186	1-234-378-21	RES, NETWORK 10K (1005X4)		△ PC101	PHOTO COUPLER PS2561AL		
RB219	1-234-702-11	RES, NETWORK 68 (1005X4)				<TRANSFORMER>	
RB220	1-234-702-11	RES, NETWORK 68 (1005X4)					
RB221	1-234-702-11	RES, NETWORK 68 (1005X4)					
RB222	1-234-702-11	RES, NETWORK 68 (1005X4)		△ T101	SWITCHING TRANSFORMER		
RB223	1-242-962-21	RES, NETWORK 82X4 (1005)					
RB301	1-234-370-21	RES, NETWORK 22 (1005X4) (HX520:AEP3/HX725:AEP3/HX727:AEP3/HX920/HX925)					
RB302	1-234-370-21	RES, NETWORK 22 (1005X4) (HX520:AEP3/HX725:AEP3/HX727:AEP3/HX920/HX925)					
RB501	1-234-379-21	RES, NETWORK 22K (1005X4)					
RB502	1-234-400-21	CONDUCTOR, NETWORK (2010X4)					
RB503	1-234-400-21	CONDUCTOR, NETWORK (2010X4)					

Note : The components identified by mark △ or dotted line with mark △ are critical for safety.
Replace only with part number specified.

<u>Ref. No.</u>	<u>Part No.</u>	<u>Description</u>	<u>Remarks</u>
		ACCESSORY & PACKING MATERIALS *****	
	1-479-557-11	REMOTE COMMANDER (RMT-D231P) (HX525/HX725/HX727/HX925)	
	1-479-558-11	REMOTE COMMANDER (RMT-D230P) (HX520/HX720/HX722/HX920)	
△	1-575-131-82	CORD, POWER (AEP)	
	1-759-586-22	CONTROLLER, VIDEO (AV MOUSE) (HX525/HX725/HX727/HX925)	
	1-696-593-11	CORD, CONNECTION (PAL)	
△	1-827-946-21	CORD, POWER (UK)	
	2-672-836-11	MANUAL, INSTRUCTION (FRENCH) (HX520:AEP)	
	2-672-836-21	MANUAL, INSTRUCTION (GERMAN) (HX520:AEP)	
	2-672-836-31	MANUAL, INSTRUCTION (ITALIAN) (HX520:AEP)	
	2-672-836-41	MANUAL, INSTRUCTION (DUTCH)(HX520:AEP)	
	2-672-836-51	MANUAL, INSTRUCTION (SPANISH) (HX520:AEP)	
	2-672-836-61	MANUAL, INSTRUCTION (PORTUGUESE) (HX720:AEP/HX722/HX920)	
	2-672-836-71	MANUAL, INSTRUCTION (DANISH) (HX720:AEP/HX722/HX920)	
	2-672-836-81	MANUAL, INSTRUCTION (SWEDISH) (HX720:AEP/HX722/HX920)	
	2-672-836-91	MANUAL, INSTRUCTION (FINNISH) (HX720:AEP/HX722/HX920)	
	2-672-837-11	MANUAL, INSTRUCTION (FRENCH) (HX725:AEP/HX727/HX925)	
	2-672-837-21	MANUAL, INSTRUCTION (GERMAN) (HX725:AEP/HX727/HX925)	
	2-672-837-31	MANUAL, INSTRUCTION (ITALIAN) (HX725:AEP/HX727/HX925)	
	2-672-837-41	MANUAL, INSTRUCTION (DUTCH) (HX725:AEP/HX727/HX925)	
	2-672-837-51	MANUAL, INSTRUCTION (SPANISH) (HX725:AEP/HX727/HX925)	
	2-672-838-11	MANUAL, INSTRUCTION (ENGLISH) (HX525/HX725:UK)	
	2-686-263-11	MANUAL, INSTRUCTION (ENGLISH) (HX520:UK/HX720:UK)	

Note : The components identified by mark △ or dotted line with mark △ are critical for safety.
Replace only with part number specified.