

8-1 EXPLODED VIEWS

NOTE:

- -XX, -X mean standardized parts, so they may have some differences from the original one.
- Items marked "*" are not stocked since they are seldom required for routine service. Some delay should be anticipated when ordering these items.

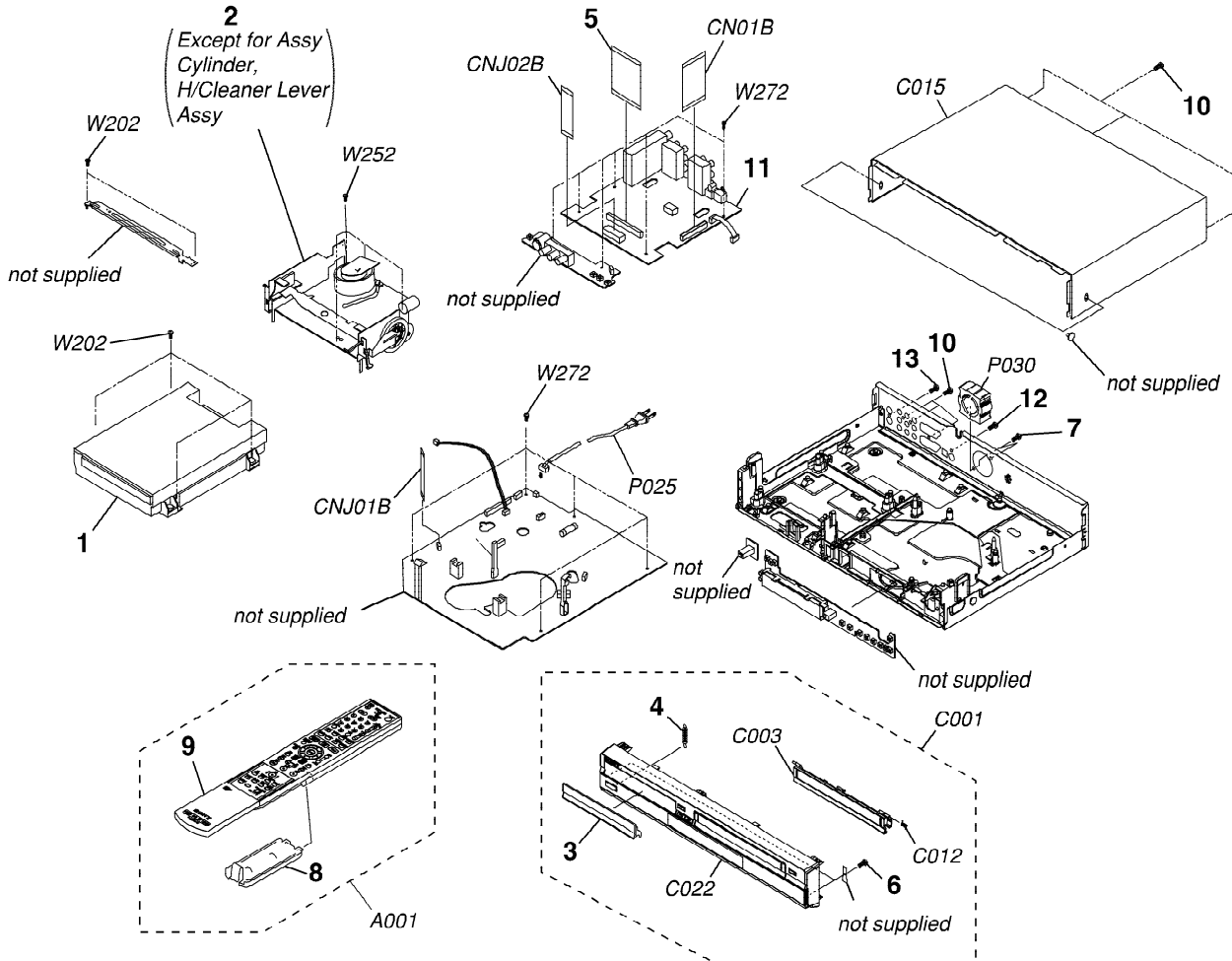
- The mechanical parts with no reference number in the exploded views are not supplied.

- Abbreviation
 B : French model
 E1, E2 : AEP model
 GI : UK model

The components identified by mark \triangle or dotted line with mark \triangle are critical for safety. Replace only with part number specified.

Les composants identifiés par une marque \triangle sont critiques pour la sécurité. Ne les remplacer que par une pièce portant le numéro spécifié.

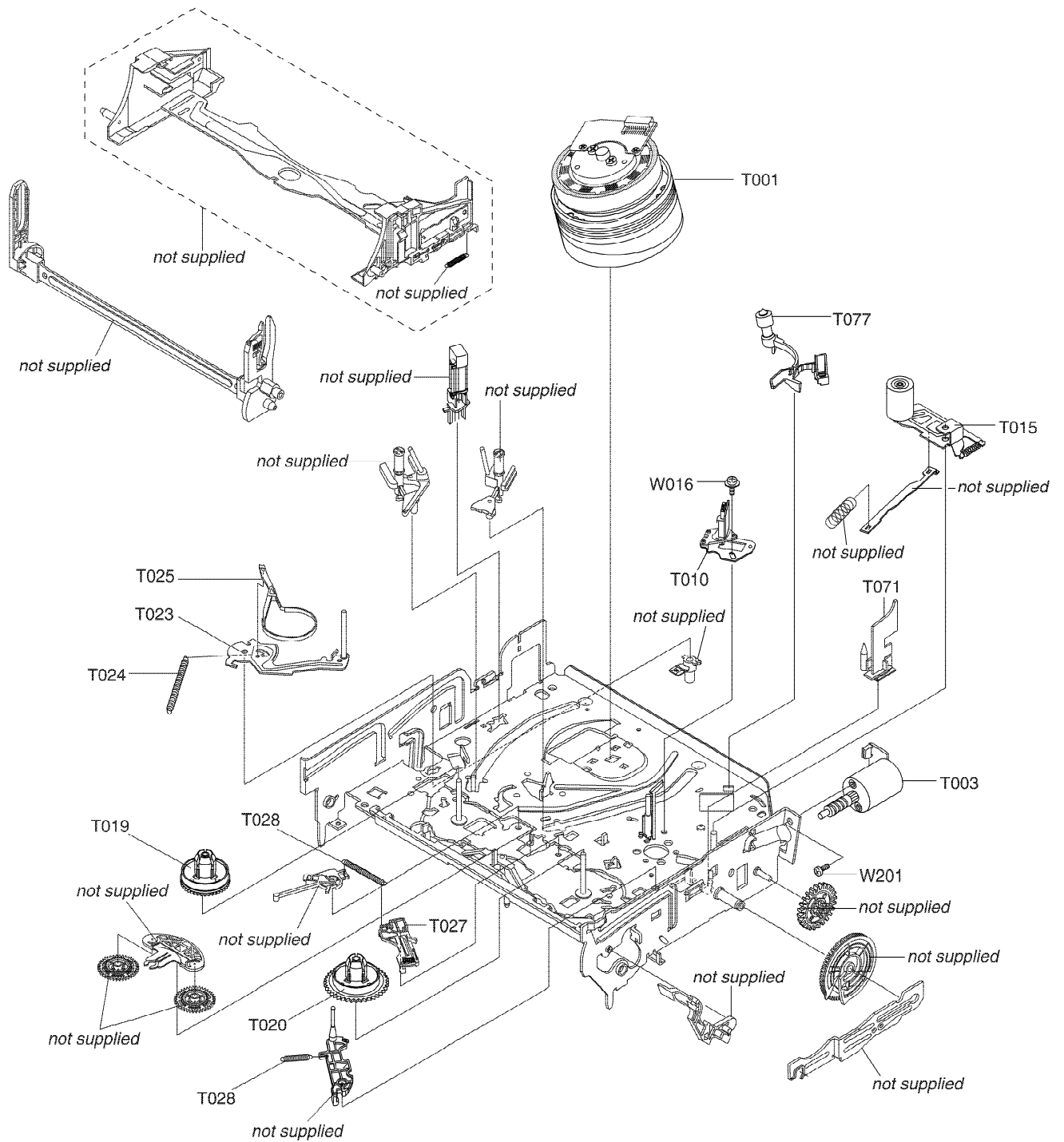
8-1-1 Cabinet Assembly



Ref. No.	Part No.	Description	Remarks
1	9-885-106-75	ASSY -DVDR DECK	
2	9-885-101-19	ASSY DECK	
3	9-885-102-48	DOOR-TRAY	
4	9-885-101-41	SPRING ETC-DOOR TRAY	
5	9-885-102-43	CABLE-FLAT;30V, 80C, 360MM, 40P	
6	9-885-079-18	SCREW-TAPTITE	
7	9-885-069-91	SCREW-SPECIAL	
8	9-885-093-70	DOOR-BATTERY REMOCON (for RMT-D224P)	
9	9-885-095-82	DOOR-REMOCON (for RMT-D224P)	
10	9-885-069-88	SCREW-TAPTITE ZPC (WHT)	
11	9-885-106-68	ASSY PCB-D JACK (VX420 GI)	
11	9-885-106-76	ASSY PCB-D JACK (VX420 E1/VX420 E2)	
11	9-885-106-79	ASSY PCB-D JACK (VX420 B)	
12	9-885-084-32	SCREW-TAPTITE	
13	9-885-079-18	SCREW-TAPTITE	
A001	9-885-095-69	REMOCON- ASSY (RMT-D224P)	
C001	9-885-106-74	ASSY -PANEL FRONT (VX420 GI)	
C001	9-885-106-78	ASSY -PANEL FRONT (VX420 E1/VX420 E2)	

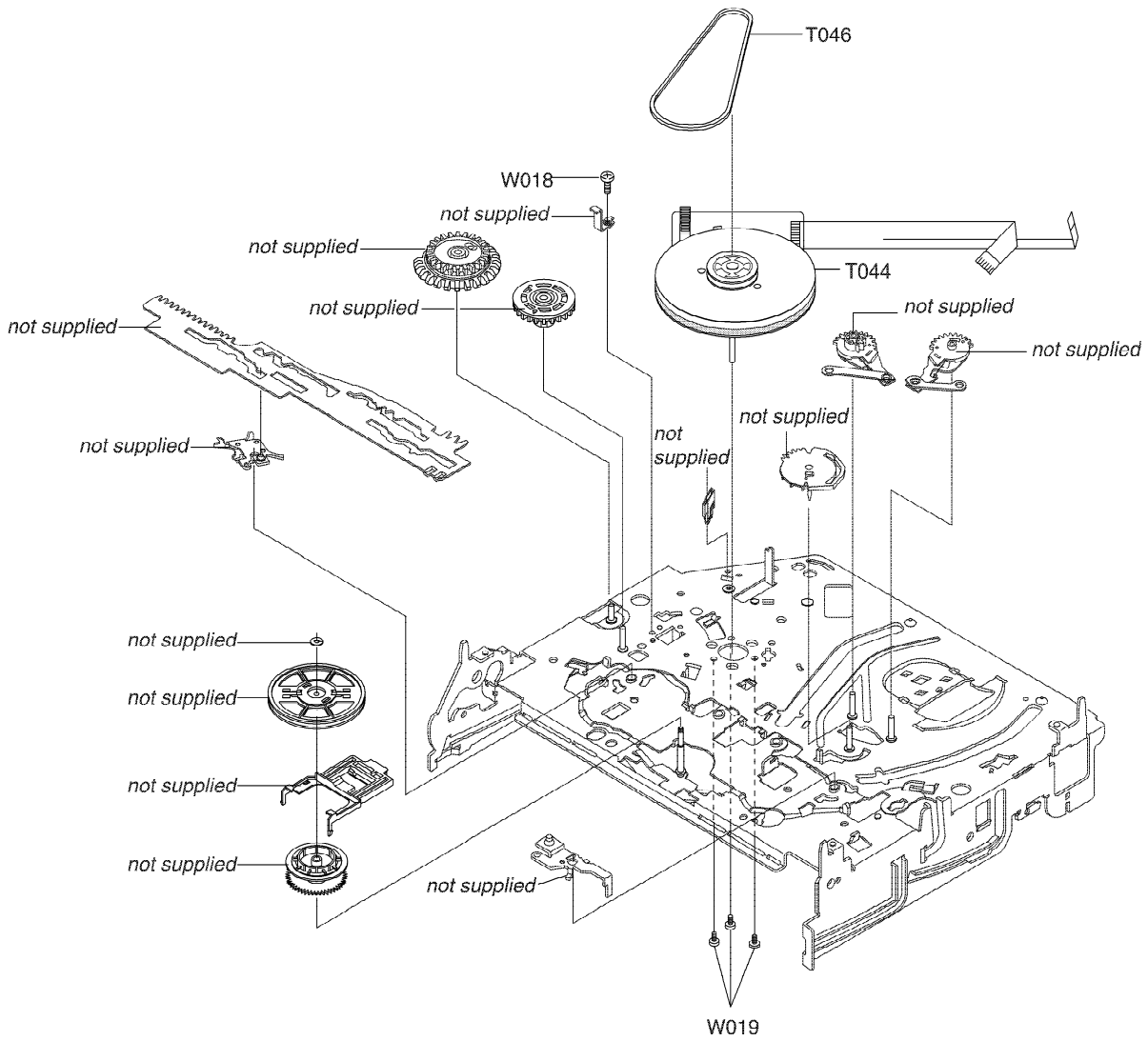
Ref. No.	Part No.	Description	Remarks
C001	9-885-106-80	ASSY -PANEL FRONT (VX420 B)	
C003	9-885-102-47	DOOR-CASSETTE	
C012	9-885-037-13	SPRING ETC MASK	
C015	9-885-102-45	CABINET-TOP	
C022	9-885-104-26	DOOR-FRONT	
CN01B	9-885-108-99	CABLE-FLAT 30PIN, 80MM	
CN303B	9-885-069-80	CABLE-FLAT	
* CNJ01B	9-885-102-65	CABLE-FLAT 6P	
* CNJ02B	9-885-102-66	CABLE-FLAT 14P	
\triangle P025	9-885-095-68	CBF-POWER CORD 2P, 250V, 3A, BLK	(VX420 GI)
\triangle P025	9-885-095-72	CBF-POWER CORD 2P, 250V, 2.5A, BL	(EXCEPT VX420 GI)
P030	9-885-090-91	FAN-DC	
W202	9-885-069-85	SCREW-TAPTITE ZPC (YEL) SWR	
W252	3-075-262-01	SCREW BH 4X12	
W272	9-885-079-18	SCREW-TAPTITE	

8-1-2 VCR Mechanical Parts (Top Side)



Ref. No.	Part No.	Description	Remarks	Ref. No.	Part No.	Description	Remarks
T001	9-885-104-34	ASSY CYLINDER 6HD		T027	9-885-101-24	ASSY LEVER BRAKE T	
T003	1-796-434-11	LOADING ASSY, MOTOR		T028	3-067-786-01	SPRING-BRAKE	
T010	9-885-101-27	ASSY ACE HEAD		T071	9-885-101-28	GUIDE CASSETTE DOOR	
T015	9-885-101-25	ASSY UNIT PINCH		T077	9-885-101-18	ASSY HEAD CLEANER	
T019	9-885-101-23	REEL S		W015	9-885-069-89	SCREW-MACHINE ZPC (YEL)	
T020	9-885-101-22	REEL T		W016	9-885-069-90	SCREW-TAPTITE ZPC (YEL)	
T023	9-885-101-21	ASSY LEVER TENSION		W201	9-885-069-81	SCREW-MACHINE ZPC (YEL)	
T024	3-067-782-01	SPRING-TENSION LEVER					
T025	9-885-101-20	ASSY BAND BRAKE					

8-1-3 VCR Mechanical Parts (Bottom Side)



Ref. No.	Part No.	Description	Remarks	Ref. No.	Part No.	Description	Remarks
T044	9-885-101-26	MOTOR CAPSTAN		W018	9-885-069-87	SCREW-TAPTITE PH ZPC (YEL)	
T046	3-067-790-01	BELT-PULLEY		W019	9-885-069-82	SCREW-TAPTITE PH ZPC (YEL) SW	

8-2 ELECTRICAL PARTS LIST

NOTE:

- Due to standardization, replacements in the parts list may be different from the parts specified in the diagrams or the components used on the set.
- -XX, and -X mean standardized parts, so they may have some difference from the original one.
- RESISTORS
All resistors are in ohms.
METAL: metal-film resistor
METAL OXIDE: Metal Oxide-film resistor
F: nonflammable
- Not all of the parts are listed.

- Items marked "*" are not stocked since they are seldom required for routine service. Some delay should be anticipated when ordering these items.
- SEMICONDUCTORS
In each case, u: μ , for example:
uA...: μ A... , uPA... , μ PA... ,
uPB... , μ PB... , uPC... , μ PC... ,
uPD... , μ PD...
- CAPACITORS:
uF: μ F
- COILS
uH: μ H

When indicating parts by reference number, please include the board name.

The components identified by mark Δ or dotted line with mark Δ are critical for safety. Replace only with part number specified.

- Abbreviation
B : French model
E1, E2 : AEP model
GI : UK model

Ref. No.	Part No.	Description	Remarks	Ref. No.	Part No.	Description	Remarks
		DV JACK BOARD *****					
		< JACK >					
J1J	9-885-084-29	JACK-IEEE1394;4P/1C (DV IN)					
		DVD JACK MAIN BOARD *****					
	9-885-106-68	ASSY PCB-D JACK (VX420 GI)					
	9-885-106-76	ASSY PCB-D JACK (VX420 E1/VX420 E2)					
	9-885-106-79	ASSY PCB-D JACK (VX420 B)					
		< BEAD/CORE >					
AL3	1-400-316-11	CORE-FERRITE BEAD 220ohm					
AL4	1-400-316-11	CORE-FERRITE BEAD 220ohm					
CVL1	1-400-316-11	CORE-FERRITE BEAD 220ohm					
CVL2	1-400-316-11	CORE-FERRITE BEAD 220ohm					
CVL3	1-400-316-11	CORE-FERRITE BEAD 220ohm					
DOL2	1-400-316-11	CORE-FERRITE BEAD 220ohm					
DOL4	1-400-316-11	CORE-FERRITE BEAD 220ohm					
JL1	1-400-316-11	CORE-FERRITE BEAD 220ohm					
JL2	1-400-316-11	CORE-FERRITE BEAD 220ohm					
PEM1	1-400-316-11	CORE-FERRITE BEAD 220ohm					
PEM2	1-400-316-11	CORE-FERRITE BEAD 220ohm					
PEM3	1-400-316-11	CORE-FERRITE BEAD 220ohm					
PEM4	1-400-316-11	CORE-FERRITE BEAD 220ohm					
PEM5	1-400-316-11	CORE-FERRITE BEAD 220ohm					
R32	9-885-083-84	BEAD-SMD 47ohm					
R39	9-885-083-84	BEAD-SMD 47ohm					
R64	9-885-083-84	BEAD-SMD 47ohm					
R103	9-885-083-84	BEAD-SMD 47ohm					
R189	9-885-083-84	BEAD-SMD 47ohm					
R811	1-400-316-11	CORE-FERRITE BEAD 220ohm					
R811B	1-400-316-11	CORE-FERRITE BEAD 220ohm					
R831A	1-400-316-11	CORE-FERRITE BEAD 220ohm					
R833A	1-400-316-11	CORE-FERRITE BEAD 220ohm					
R851	1-400-316-11	CORE-FERRITE BEAD 220ohm					
R852	1-400-316-11	CORE-FERRITE BEAD 220ohm					
R853	1-400-316-11	CORE-FERRITE BEAD 220ohm					
R854	1-400-316-11	CORE-FERRITE BEAD 220ohm					
R855	1-400-316-11	CORE-FERRITE BEAD 220ohm					
R856	1-400-316-11	CORE-FERRITE BEAD 220ohm					
R1307	9-885-083-84	BEAD-SMD 47ohm					
		< CONNECTOR >					
		< DIODE >					
		FAN					
		HEADER-BOARD TO CABLE					
		< DIODE >					
		AD1					
		AD2					
		* AZ1					
		* AZ3					
		D801					
		* DOZ1					
		* DOZ2					
		* VZ1					
		* VZ3					
		* VZ5					
		* VZ7					
		* VZ9					
		* VZ801					
		* VZ802					
		* VZ803					
		* VZ804					
		* VZ805					
		* VZ812					
		* VZ814					
		* VZ816					
		* VZ818					
		VZ819					
		* VZ820					
		* VZ821					

DVD JACK MAIN

FRONT JACK

Ref. No.	Part No.	Description	Remarks
* VZ822	9-885-102-51	DIODE CDS3C30GTH	
* VZ826	9-885-102-51	DIODE CDS3C30GTH	
* VZ828	9-885-102-51	DIODE CDS3C30GTH	
* VZ830	9-885-102-51	DIODE CDS3C30GTH	
* VZ831	9-885-102-51	DIODE CDS3C30GTH	
VZ832	9-885-070-27	DIODE DAN202K	
ZD801	8-719-109-93	DIODE RD6.2ESB2	
< FILTER >			
DOL1	9-885-069-75	FILTER-EMI SMD	
< IC >			
AIC4	9-885-070-53	IC 4560 (OP AMP)	
IC102	9-885-090-37	IC (DRAM)	
IC103	9-885-090-37	IC (DRAM)	
IC104	9-885-090-37	IC (DRAM)	
IC105	9-885-090-37	IC (DRAM)	
IC101A	9-885-070-63	IC CS92686 (ENCODER/DECODER)	
IC201	9-885-070-62	IC CS98201 (DECODER) (VX420 GI)	
IC201	9-885-106-77	IC (DECODER) (EXCEPT VX420 GI)	
IC202	9-885-101-34	IC K4S641632 (DRAM)	
IC203	9-885-106-71	IC ASSY-MEMORY (FLASH) (Refer to Note 1)	
IC204	9-885-101-34	IC K4S641632 (DRAM)	
IC205		IC (EEPROM) (Refer to Note 2)	

Note 1: Perform the reset whenever the IC203 was replaced.
(See page 10)

Note 2: DVD JACK MAIN BOARD must be replaced if IC205 (EEPROM) is damaged or not functioning.

The old DVD JACK MAIN BOARD must be completely disposed.

Ref. No.	Part No.	Description	Remarks
PBQ12	9-885-070-30	TRANSISTOR	KSC1623-L
PBQ13	9-885-070-30	TRANSISTOR	KSC1623-L
PSQ1	9-885-070-30	TRANSISTOR	KSC1623-L
Q801	9-885-070-30	TRANSISTOR	KSC1623-L
Q802	9-885-070-30	TRANSISTOR	KSC1623-L
Q803	9-885-043-26	TRANSISTOR	KSR1104
Q804	9-885-043-26	TRANSISTOR	KSR1104
Q805	9-885-070-37	TRANSISTOR	KSR2103
Q806	9-885-070-37	TRANSISTOR	KSR2103
Q810	9-885-043-26	TRANSISTOR	KSR1104
Q811	9-885-070-30	TRANSISTOR	KSC1623-L
Q812	9-885-070-30	TRANSISTOR	KSC1623-L
QAS01	9-885-070-29	TRANSISTOR	KSA812
QAS02	9-885-070-30	TRANSISTOR	KSC1623-L
QAS03	9-885-070-30	TRANSISTOR	KSC1623-L
QAV1	9-885-043-26	TRANSISTOR	KSR1104
QAV2	9-885-043-26	TRANSISTOR	KSR1104
QMU1	9-885-070-34	TRANSISTOR	
QMU2	9-885-070-37	TRANSISTOR	KSR2103
< TUNER >			
TM401	9-885-095-58	TM BLOCK TCSK0601PD25A, PAL	(EXCEPT VX420 B)
TM401	9-885-095-73	TM BLOCK TCPL0601PD25A, PAL (VX420 B)	
< VIBRATOR >			
X3	9-885-067-37	CRYSTAL (27MHz)	
X1301	9-885-070-70	CRYSTAL-SMD (24.576MHz)	
XS1	9-885-070-70	CRYSTAL-SMD (24.576MHz)	
FRONT JACK BOARD *****			
< CONNECTOR >			
CNJ01	1-815-688-11	CONNECTOR FPC 6PSN	
< BEAD/CORE >			
J301	9-885-083-84	BEAD-SMD 47ohm	
J302	1-400-316-11	CORE-FERRITE BEAD 220ohm	
J303	1-400-316-11	CORE-FERRITE BEAD 220ohm	
J304	9-885-083-84	BEAD-SMD 47ohm	
J305	9-885-083-84	BEAD-SMD 47ohm	
RD701	9-885-083-84	BEAD-SMD 47ohm	
RD702	9-885-083-84	BEAD-SMD 47ohm	
RD703	9-885-083-84	BEAD-SMD 47ohm	
RD704	9-885-083-84	BEAD-SMD 47ohm	
RD705	1-400-316-11	CORE-FERRITE BEAD 220ohm	
< DIODE >			
JZ01	9-885-070-22	DIODE UDZ9	
JZ02	9-885-070-22	DIODE UDZ9	
JZ03	9-885-070-22	DIODE UDZ9	
JZ04	9-885-070-22	DIODE UDZ9	
JZ05	9-885-070-22	DIODE UDZ9	
JZ06	9-885-070-22	DIODE UDZ9	
JZ07	9-885-070-22	DIODE UDZ9	
JZ08	9-885-070-22	DIODE UDZ9	
JZ09	9-885-070-22	DIODE UDZ9	
JZ10	9-885-070-22	DIODE UDZ9	

FRONT JACK

FUNCTION TIMER

VCR MAIN

Ref. No.	Part No.	Description	Remarks	Ref. No.	Part No.	Description	Remarks
		< COIL >					
L702	1-400-079-11	INDUCTOR	33uH	SC1S30	9-885-069-86	SCREW-TAPTITE ZPC (YEL) SWRC	
L703	1-400-079-11	INDUCTOR	33uH	SC1S32	9-885-069-86	SCREW-TAPTITE ZPC (YEL) SWRC	
		< SWITCH >				< CAPACITOR >	
SW1	9-885-069-77	SWITCH-TACT (POWER)		C342	1-165-563-11	CONDENSER	0.1uF
SW2	9-885-069-77	SWITCH-TACT (ONE TOUCHDUB)		C527	1-100-020-11	CONDENSER	10000PF
SW3	9-885-069-77	SWITCH-TACT (CH_DOWN)		C610	1-165-563-11	CONDENSER	0.1uF
SW4	9-885-069-77	SWITCH-TACT (CH_UP)		△C1S02	1-100-358-11	CONDENSER CERAMIC DISC	100PF
		FUNCTION TIMER BOARD		△C1S03	1-100-358-11	CONDENSER CERAMIC DISC	100PF
		*****		△C1S04	9-885-079-30	C-FILM, LEAD	47nF
		< DIODE >		△C1S05	9-885-079-30	C-FILM, LEAD	47nF
D701	9-885-070-12	DIODE	1N4148	C1S07	1-165-990-11	CONDENSER	100PF
D702	9-885-070-12	DIODE	1N4148	C1S08	1-165-574-11	CONDENSER FILM	10000PF
D703	9-885-070-12	DIODE	1N4148	C1S12	1-165-574-11	CONDENSER FILM	10000PF
D704	9-885-070-12	DIODE	1N4148				
D705	9-885-070-12	DIODE	1N4148	C1S17	1-100-020-11	CONDENSER	10000PF
D706	9-885-070-12	DIODE	1N4148	C1S39	1-165-999-11	CONDENSER FILM	0.1uF
D707	9-885-070-12	DIODE	1N4148	C3A11	1-100-000-11	CONDENSER FILM	15000PF
D708	9-885-070-12	DIODE	1N4148	C3S01	1-100-020-11	CONDENSER	10000PF (VX420 B)
D709	9-885-070-12	DIODE	1N4148	C6P01	1-100-020-11	CONDENSER	10000PF
		< VFD DISPLAY >		C6V11	1-100-020-11	CONDENSER	10000PF
DT701	9-885-070-01	VFD DISPLAY	HNV-10SM40			< CONNECTOR >	
		< IC >		CN02	1-815-688-11	CONNECTOR FPC	6PSN
IC701	9-885-070-48	IC	PT6315 (VFD)	CN301	1-815-685-11	CONNECTOR FPC	10P
		< LED >		CN303	1-815-688-11	CONNECTOR FPC	6PSN
LD701	9-885-076-82	LED (COPY VCR→DVD)				< FLAT CABLE >	
LD702	9-885-076-82	LED (COPY DVD→VCR)		CN303B	9-885-069-80	CABLE-FLAT	
LD703	9-885-076-82	LED (PROGRESSIVE)		* CNJ01B	9-885-102-65	CABLE-FLAT	6P
LD704	9-885-076-83	LED (SYNCRO REC)		* CNJ02B	9-885-102-66	CABLE-FLAT	14P
		< MODULE >				< DIODE >	
RM701	9-885-069-95	MODULE	REMOCON TSOP2240RF1	BD01	9-885-070-14	DIODE	1N5397GP
		< SWITCH >		BD02	9-885-070-14	DIODE	1N5397GP
SW703	9-885-069-77	SWITCH-TACT (PAUSE)		BD03	9-885-070-14	DIODE	1N5397GP
SW705	9-885-069-77	SWITCH-TACT (VIDEO)		BD04	9-885-070-14	DIODE	1N5397GP
SW706	9-885-069-77	SWITCH-TACT (COPYD2V)		D301	9-885-070-12	DIODE	1N4148
SW707	9-885-069-77	SWITCH-TACT (PLAY)					
SW708	9-885-069-77	SWITCH-TACT (DVD)		D603	9-885-070-12	DIODE	1N4148
SW709	9-885-069-77	SWITCH-TACT (EJECT)		D688	9-885-070-12	DIODE	1N4148
SW710	9-885-069-77	SWITCH-TACT (COPYV2D)		D1P101	9-885-070-12	DIODE	1N4148
SW711	9-885-069-77	SWITCH-TACT (REC)		D1P102	9-885-070-12	DIODE	1N4148
SW713	9-885-069-77	SWITCH-TACT (FF)		D1P103	9-885-070-12	DIODE	1N4148
SW714	9-885-069-77	SWITCH-TACT (OPEN)					
SW715	9-885-069-77	SWITCH-TACT (REW)		D1P104	9-885-070-12	DIODE	1N4148
SW716	9-885-069-77	SWITCH-TACT (STOP)		D1S05	9-885-070-13	DIODE	UF4007
		VCR MAIN BOARD		D1S06	9-885-070-12	DIODE	1N4148
		*****		D1S07	9-885-070-16	DIODE	F1T4
SC1P02	9-885-069-86	SCREW-TAPTITE ZPC (YEL) SWRC		D1S10	1-804-409-11	DIODE	1N4002
SC1P05	9-885-069-86	SCREW-TAPTITE ZPC (YEL) SWRC		D1S11	1-804-409-11	DIODE	1N4002
SC1S01	9-885-069-86	SCREW-TAPTITE ZPC (YEL) SWRC		D1S12	9-885-060-81	DIODE	SHK65
				D1S30	9-885-070-26	DIODE	SRAF560
				D1S31	9-885-070-26	DIODE	SRAF560
				D1S32	9-885-076-80	DIODE	MBRF10A0
				D1S34	9-885-070-16	DIODE	F1T4
				D1S35	9-885-070-15	DIODE	SHG2D
				D1S36	9-885-070-16	DIODE	F1T4
				D1S37	9-885-070-16	DIODE	F1T4
				D1S38	9-885-076-80	DIODE	MBRF10A0

The components identified by mark △ or dotted line with mark △ are critical for safety. Replace only with part number specified.

VCR MAIN

Ref. No.	Part No.	Description	Remarks	Ref. No.	Part No.	Description	Remarks
D1S40	9-885-070-16	DIODE F1T4		L1S04	1-424-828-11	COIL CHOKE 10uH	
ZD401	9-885-070-19	DIODE UZP33B		L1S30	9-885-070-00	COIL CHOKE DR CHOKE (8*6)	
ZD1P01	9-885-070-21	DIODE MTZJ9		L1S31	9-885-070-00	COIL CHOKE DR CHOKE (8*6)	
ZD1P02	9-885-070-24	DIODE MTZJ12B					
ZD1P03	9-885-070-21	DIODE MTZJ9		L1S32	1-424-828-11	COIL CHOKE 10uH	
ZD1P04	9-885-070-20	DIODE MTZJ5		L3A01	9-885-070-66	INDUCTOR-RADIAL	
ZD1P05	9-885-070-18	DIODE UZP27B		L3A02	1-400-074-11	INDUCTOR 100uH	
ZD1P06	9-885-070-17	DIODE UZ5.6BM		L3A03	1-400-074-11	INDUCTOR 100uH	
ZD1S01	9-885-070-25	DIODE MTZJ4		L3A70	9-885-070-66	INDUCTOR-RADIAL	
ZD1S02	9-885-036-94	DIODE MTZJ20B (EXCEPT VX420 B)		L3S01	1-400-074-11	INDUCTOR 100uH (VX420 B)	
ZD1S02	9-885-036-96	IC BU4053BCFV (CMOS LOGIC) (VX420 B)		L6P01	1-400-082-11	INDUCTOR RA 100uH	
ZD1S04	9-885-106-65	DIODE		L6P03	1-400-078-11	INDUCTOR 22uH	
		< FUSE >		L6P05	1-400-148-11	INDUCTOR 27uH	
△F1S01	1-576-526-11	FUSE T.L (1.6A/250V)		L6V01	1-400-082-11	INDUCTOR RA 100uH	
△FR01	1-576-729-11	FUSE-RADIAL LEAD (1A/50V)		L6V02	1-400-148-11	INDUCTOR 27uH	
△FR02	1-576-729-11	FUSE-RADIAL LEAD (1A/50V)		L6V03	1-400-078-11	INDUCTOR 22uH	
△FR03	1-576-729-11	FUSE-RADIAL LEAD (1A/50V)				< LINE FILTER >	
△FR04	1-576-729-11	FUSE-RADIAL LEAD (1A/50V)		△L1S01	1-424-831-11	LINE FILTER 20mH	
		< FUSE CLIP >				< LED >	
FC1S01	1-576-527-11	FUSE CLIP		LD601	9-885-070-40	LED-IR SIDE-VIEW	
FC1S02	1-576-527-11	FUSE CLIP				< TRANSFORMER >	
		< IC >		△PT01	9-885-106-67	TRANS SWITCHING	
IC301	1-805-361-11	IC (VIDEO)				< PHOTO INTERRUPTER >	
IC501	1-804-703-11	IC (HIFI)		PT601	9-885-106-66	PHOTO-INTERRUPTER (S-R SENSOR)	
IC601		IC (MICOM)		PT602	9-885-106-66	PHOTO-INTERRUPTER (T-R SENSOR)	
IC604	1-804-704-11	IC (RESET)				< TRANSISTOR >	
IC605	9-885-070-50	IC 524L50X51 (EEPROM)		Q302	9-885-070-30	TRANSISTOR KSC1623-L (VX420 B)	
IC1P01	9-885-084-28	IC (SWITCH VOL. REG)		Q601	9-885-043-26	TRANSISTOR KSR1104	
IC1P02	9-885-084-28	IC (SWITCH VOL. REG)		Q1P101	9-885-070-31	TRANSISTOR KSC2328A-Y	
IC1P03	9-885-070-56	IC G9105 (POSI. FIXED REG)		Q1P105	9-885-070-31	TRANSISTOR KSC2328A-Y	
IC1P04	9-885-102-61	IC KIA278R018PI (POSI.FIXED REG)		Q1P106	9-885-070-36	TRANSISTOR KSR2001	
IC1P05	9-885-092-81	IC 278R05 (POSI. FIXED REG.)		Q1P107	9-885-070-32	TRANSISTOR KSC945	
IC1S01	9-885-037-01	IC (PWM CONTROLLER)		Q1P108	9-885-070-31	TRANSISTOR KSC2328A-Y	
△IC1S02	9-885-070-43	PHOTO COUPLER		Q1P109	9-885-070-31	TRANSISTOR KSC2328A-Y	
IC1S03	1-804-445-11	IC KA4318		Q1P110	9-885-070-31	TRANSISTOR KSC2328A-Y	
IC3S01	1-804-701-11	IC (SECAM) (VX420 B)		Q1P201	9-885-070-38	FET FQP33N10	
IC6P01	1-804-454-11	IC (OSD)		Q1PS01	9-885-070-32	TRANSISTOR KSC945	
IC6V01	9-885-095-57	IC LC74775NM-9808 (AUDIO)		Q1PS02	9-885-070-33	TRANSISTOR KTC3203-Y	
		< COIL/FERRITE BEAD >		Q1PS03	9-885-070-36	TRANSISTOR KSR2001	
BD05	1-400-086-11	FERRITE CORE		Q1S01	9-885-036-95	FET	
BD1S01	1-400-085-11	INDUCTOR 70uH		Q3A01	9-885-070-32	TRANSISTOR KSC945	
BD1S02	1-400-085-11	INDUCTOR 70uH		Q3A02	1-804-420-11	TRANSISTOR KSA733	
		< COIL >		Q3A03	9-885-070-33	TRANSISTOR KTC3203-Y	
L301	1-400-074-11	INDUCTOR 100uH		Q3A04	9-885-070-33	TRANSISTOR KTC3203-Y	
L302	1-400-074-11	INDUCTOR 100uH		Q3A05	9-885-070-33	TRANSISTOR KTC3203-Y	
L303	1-400-074-11	INDUCTOR 100uH		Q3A06	9-885-070-29	TRANSISTOR KSA812	
L304	1-400-085-11	INDUCTOR 70uH		Q6P01	1-804-420-11	TRANSISTOR KSA733	
L501	1-400-074-11	INDUCTOR 100uH		Q6P02	1-804-420-11	TRANSISTOR KSA733	
L502	1-400-074-11	INDUCTOR 100uH		Q6V01	1-804-420-11	TRANSISTOR KSA733	
L602	1-400-074-11	INDUCTOR 100uH					
L603	1-400-074-11	INDUCTOR 100uH					
L605	1-400-074-11	INDUCTOR 100uH					
L1P01	1-400-074-11	INDUCTOR 100uH					
L1P02	1-400-074-11	INDUCTOR 100uH					
L1S03	1-424-828-11	COIL CHOKE 10uH					

The components identified by mark Δ or dotted line with mark \triangle are critical for safety. Replace only with part number specified.

Ref. No.	Part No.	Description	Remarks
		< RESISTOR >	
R1S13	1-245-575-11	R-METAL OXIDE	
		< THERMISTOR >	
△ R1S04	9-885-101-36	THERMISTOR-NTC	
		< PHOTO TRANSISTOR >	
S601	9-885-070-42	PHOTO TRANSISTOR (END SENSOR)	
S602	9-885-070-42	PHOTO TRANSISTOR (START SENSOR)	
		< SWITCH >	
SW601	9-885-061-06	SWITCH MODE (MODE SWITCH)	
SW602	9-885-101-37	SWITCH REC (REC SWITCH)	
		< VARISTOR >	
VA1S01	9-885-070-65	VARISTOR	
VA1S03	9-885-070-65	VARISTOR	
		< VIBRATOR >	
XT301	1-795-330-11	VIBRATOR CRYSTAL (4.433619MHz)	
XT602	1-795-331-11	VIBRATOR CRYSTAL (8MHz)	

MISCELLANEOUS

1	9-885-106-75	ASSY -DVDR DECK	
5	9-885-102-43	CABLE-FLAT;30V, 80C, 360MM, 40P	
CN01B	9-885-108-99	CABLE-FLAT 30PIN, 80MM	
△ P025	9-885-095-68	CBF-POWER CORD 2P, 250V, 3A, BLK (VX420 GI)	
△ P025	9-885-095-72	CBF-POWER CORD 2P, 250V, 2.5A, BL (EXCEPT VX420 GI)	
P030	9-885-090-91	FAN-DC	
T001	9-885-104-34	ASSY CYLINDER 6HD	
T003	1-796-434-11	LOADING ASSY, MOTOR	
T010	9-885-101-27	ASSY ACE HEAD	
T044	9-885-101-26	MOTOR CAPSTAN	

ACCESSORIES

1-823-126-11	CABLE RF SECAM (VX420 B)	
2-672-432-11	MANUAL, INSTRUCTION (FRENCH) (VX420 E1/VX420 B)	
2-672-432-21	MANUAL, INSTRUCTION (GERMAN) (VX420 E1)	
2-672-432-31	MANUAL, INSTRUCTION (ITALIAN) (VX420 E1)	
2-672-432-41	MANUAL, INSTRUCTION (DUTCH) (VX420 E1)	
2-672-432-51	MANUAL, INSTRUCTION (SPANISH) (VX420 E2)	
2-672-432-61	MANUAL, INSTRUCTION (PORTUGUESE) (VX420 E2)	
2-672-432-71	MANUAL, INSTRUCTION (SWEDISH) (VX420 E2)	
2-672-432-81	MANUAL, INSTRUCTION (DANISH) (VX420 E2)	
2-672-432-91	MANUAL, INSTRUCTION (FINNISH) (VX420 E2)	
2-672-433-11	MANUAL, INSTRUCTION (ENGLISH) (VX420 GI)	
8	9-885-093-70	DOOR-BATTERY REMOCON (for RMT-D224P)
9	9-885-095-82	DOOR-REMOCON (for RMT-D224P)
A001	9-885-095-69	REMOCON- ASSY (RMT-D224P)

The components identified by mark △ or dotted line with mark △ are critical for safety. Replace only with part number specified.