

SECTION 3 EXPLODED VIEWS

NOTE:

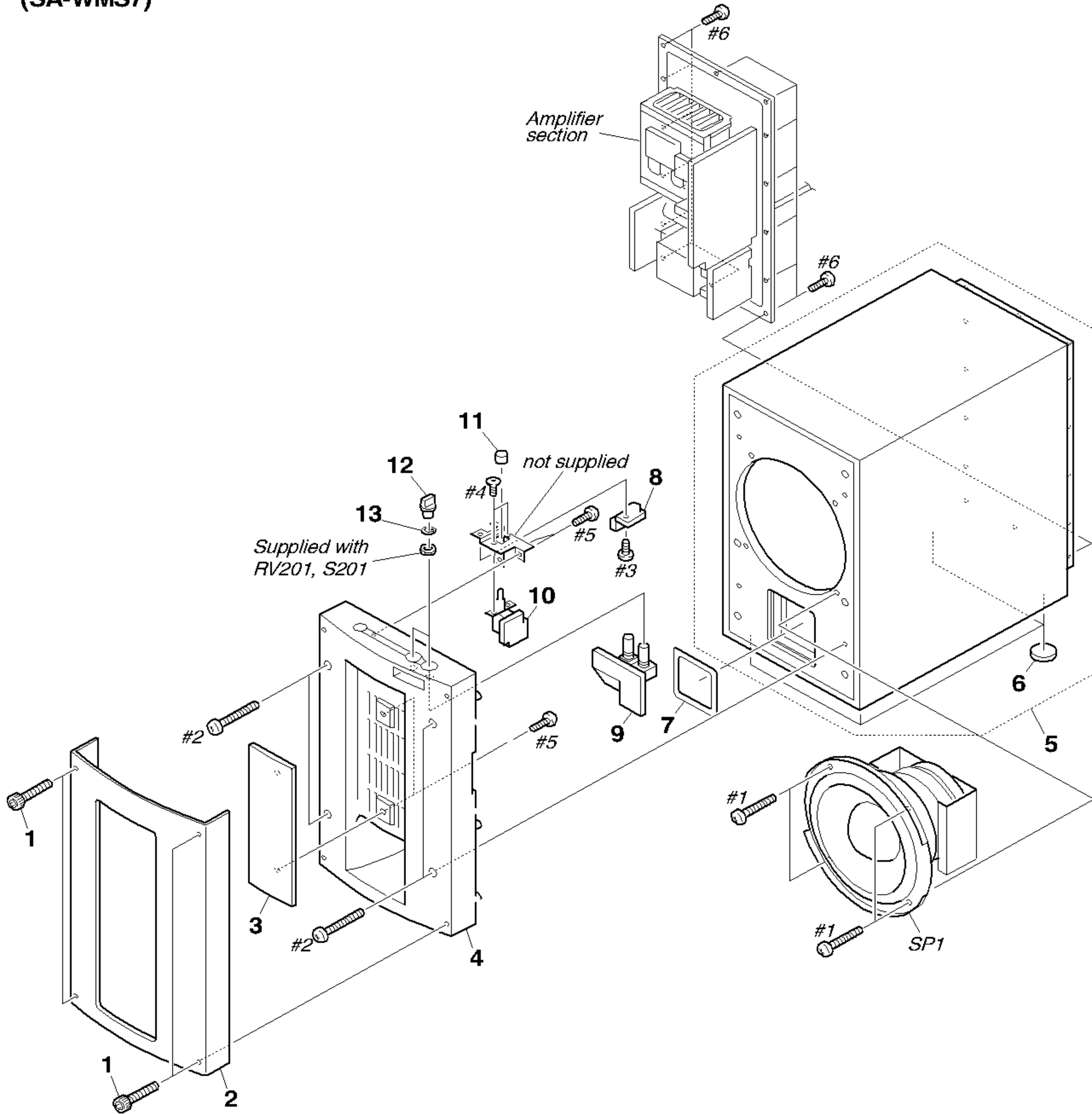
- -XX, -X mean standardized parts, so they may have some differences from the original one.
- Items marked "*" are not stocked since they are seldom required for routine service. Some delay should be anticipated when ordering these items.
- The mechanical parts with no reference number in the exploded views are not supplied.

- Hardware (# mark) list and accessories and packing materials are given in the last of this parts list.
- Abbreviation
 CND : Canadian model
 G : German model
 MY : Malaysia model
 SP : Singapore model

The components identified by mark \triangle or dotted line with mark \triangle are critical for safety. Replace only with part number specified.

Les composants identifiés par une marque \triangle sont critiques pour la sécurité. Ne les remplacer que par une pièce portant le numéro spécifié.

**(1) FRONT PANEL SECTION
(SA-WMS7)**



| Ref. No. | Part No. | Description | Remark | Ref. No. | Part No. | Description | Remark |
|----------|--------------|-----------------------|--------|----------|--------------|--------------------|--------|
| 1 | 4-222-422-01 | SCREW (4 × 16) | | 8 | 1-673-150-11 | LED BOARD | |
| 2 | 4-220-858-01 | PANEL(A), ORNAMENTAL | | 9 | 1-674-329-11 | CONTROL BOARD | |
| 3 | 4-220-859-01 | PANEL(B), ORNAMENTAL | | 10 | 1-674-330-11 | POWER SWITCH BOARD | |
| 4 | X-4951-887-1 | PANEL ASSY, FRONT | | 11 | 4-973-938-31 | KNOB(A), PUSH | |
| 5 | A-4411-710-A | CABINET ASSY, SPEAKER | | 12 | 4-999-482-11 | KNOB(VOL) | |
| 6 | 4-981-864-01 | FOOT | | 13 | 4-217-642-01 | SHEET | |
| 7 | 4-222-467-01 | PACKING | | SP1 | 1-529-513-11 | SPEAKER | |