

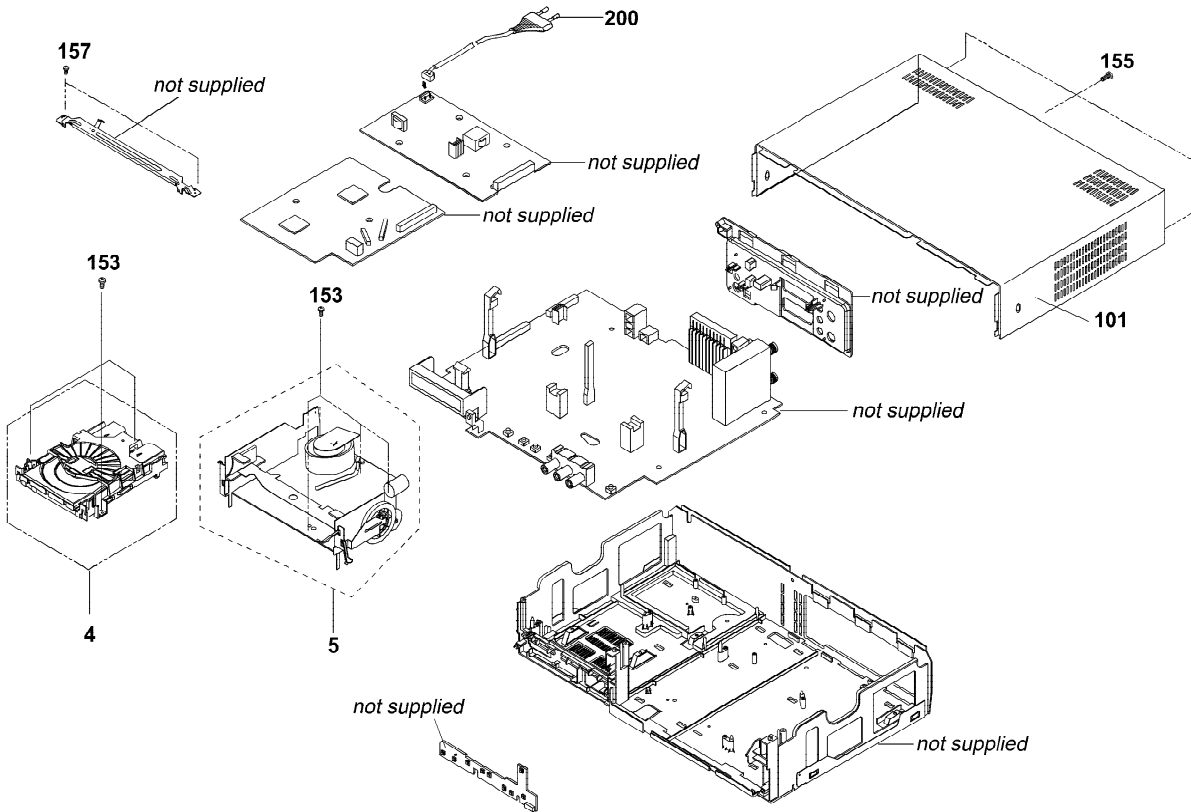
8-1 EXPLODED VIEWS

NOTE:

- -XX, -X mean standardized parts, so they may have some differences from the original one.
- Items marked “*” are not stocked since they are seldom required for routine service. Some delay should be anticipated when ordering these items.
- The mechanical parts with no reference number in the exploded views are not supplied.

The components identified by mark \triangle or dotted line with mark \triangle are critical for safety. Replace only with part number specified.

8-1-1 Cabinet Assembly

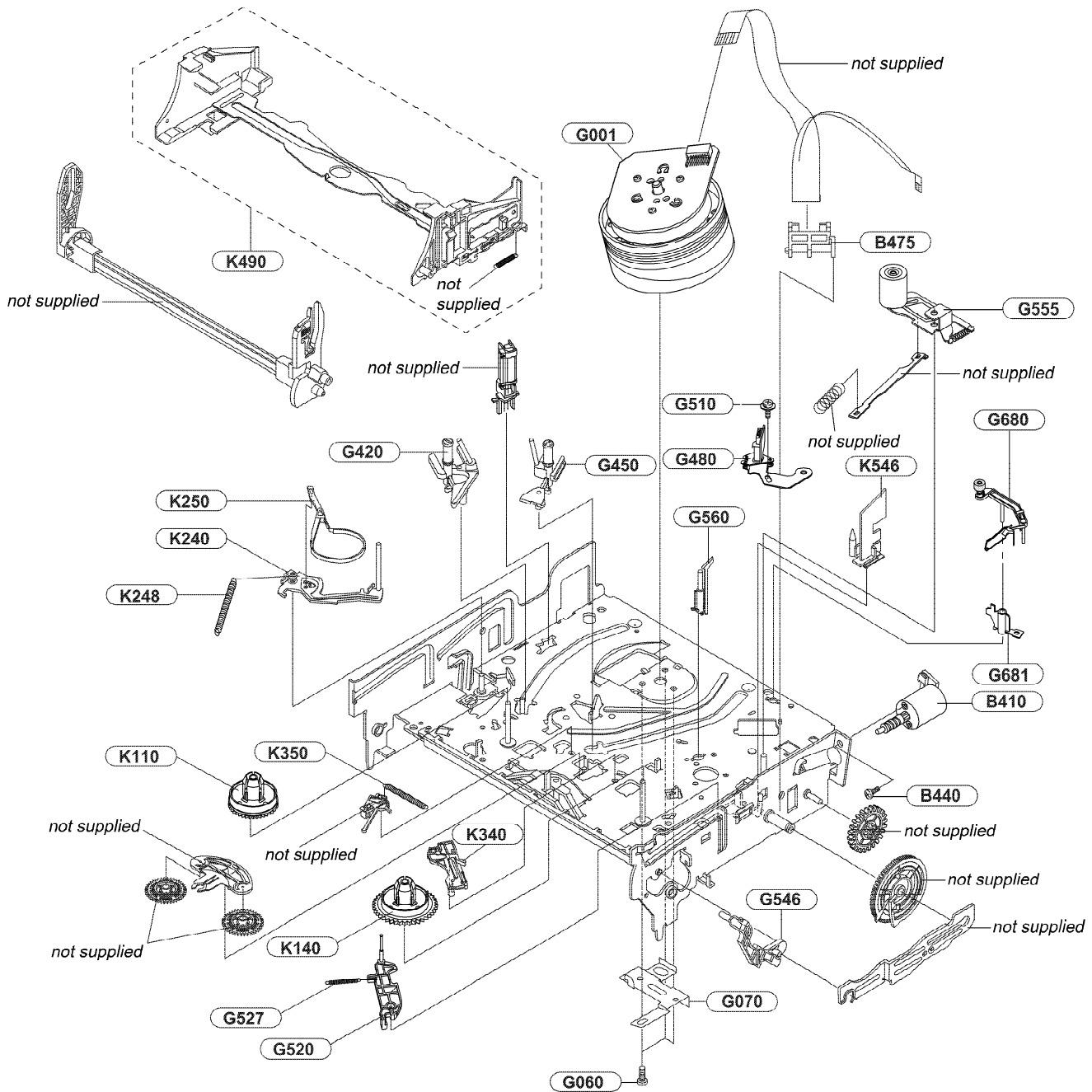


Ref. No.	Part No.	Description	Remarks	Ref. No.	Part No.	Description	Remarks
4	9-885-037-38	ASSY DVD DECK		155	3-078-566-01	SCREW TAP M3 L10 BLK	
5	3-084-083-01	ASSY DECK		157	3-075-262-01	SCREW BH 4X12	
101	9-885-043-09	CASE (COMBO PAL), UPPER		\triangle 200	1-823-023-11	POWER CORD KKP419C (EXCEPT D950GI)	
153	3-075-256-01	SCREW TAP 3X12		\triangle 200	1-823-025-11	POWER CORD Y352 (D950GI)	

Models	1	UT01
SLV-D910		
SLV-D950		

Ref. No.	Part No.	Description	Remarks	Ref. No.	Part No.	Description	Remarks
1	9-885-043-21	ASSY PANEL FRONT (D910B/D910E/D910N)		21	9-885-037-26	DOOR CASSETTE	
1	9-885-043-22	ASSY PANEL FRONT (D950B/D950E)		22	9-885-037-13	SPRING ETC MASK	
1	9-885-043-23	ASSY PANEL FRONT (D950G1)		50	1-786-352-11	SW-DIAL TIMER (D950B/D950E/D950G1/D910AZ)	
1	9-885-043-24	ASSY PANEL FRONT (D910R)		UT01	9-885-043-07	COMMANDER (RMT-V503A)	(D910B/D910E/D910N/D910R/D910AZ)
1	9-885-043-25	ASSY PANEL FRONT (D910AZ)		UT01	9-885-043-08	COMMANDER (RMT-V503B)	(D950B/D950E/D950G1)
2	9-885-037-27	DOOR TRAY					
3	9-885-037-28	SPRING ETC-DOOR TRAY					

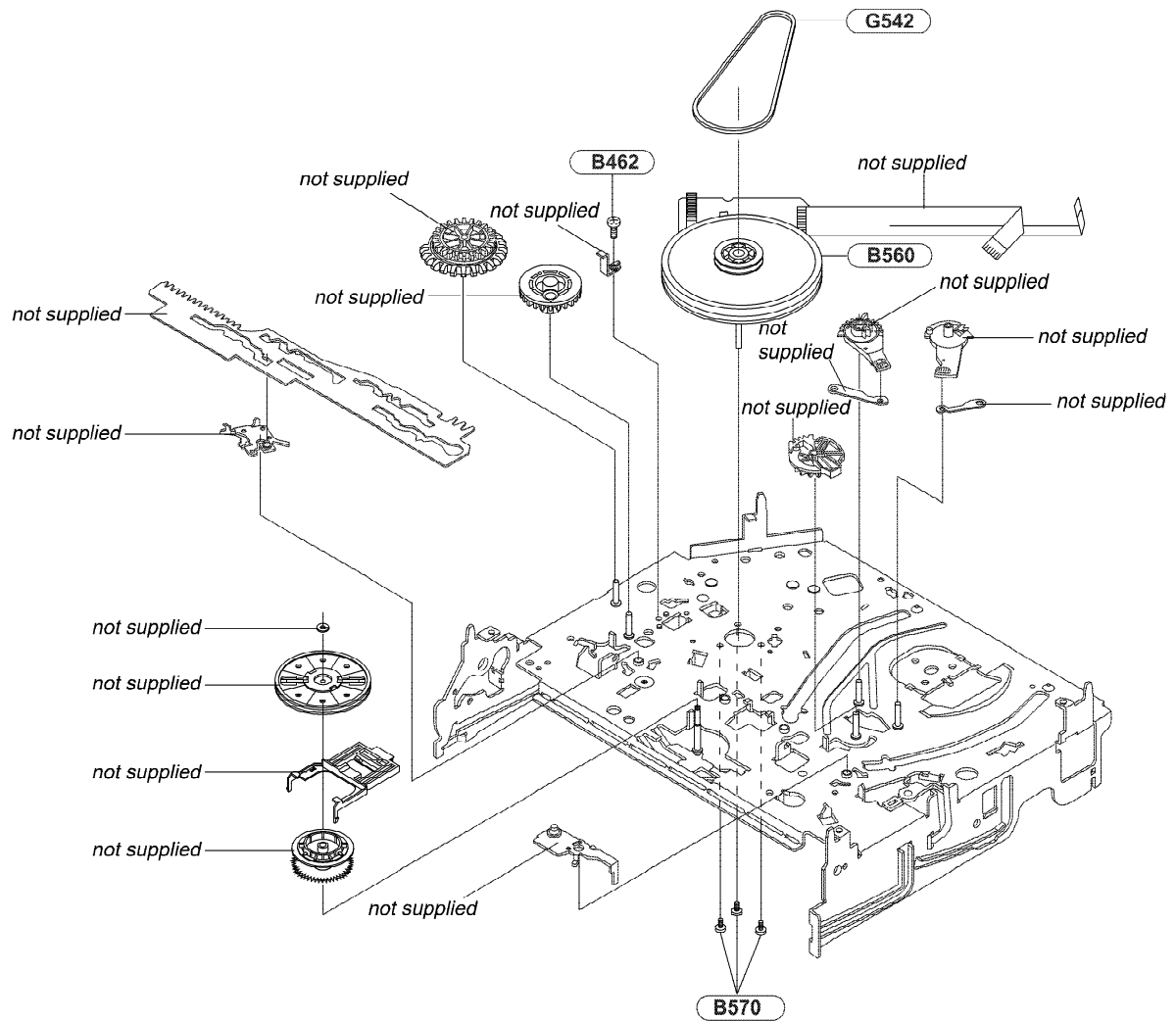
8-1-2 VCR Mechanical Parts (Top Side)



Ref. No.	Part No.	Description	Remarks
B410	1-763-836-11	LOADING ASSY, MOTOR	
B440	3-075-253-01	SCREW ASSY MAC 2.6X5	
B475	1-796-433-11	DAMPER CAPSTAN	
B480	3-075-241-01	ASSY ACE HEAD	
G001	1-796-704-11	ASSY CLYNDER 6HD (SECAM)	
G060	3-075-254-01	SCREW ASSY MAC 3X6	
G070	3-067-796-01	PLATE-GROUND DECK	
G420	3-079-347-01	SLIDER-SUPPLY ASSY	
G450	3-079-346-01	SLIDER-TAKE UP ASSY	
G510	3-084-091-01	SCREW TAP 2.6X5	
G520	3-067-779-01	LEVER-#9 GUIDE	
G527	3-067-780-01	SPRING-#9 GUIDE	
G546	3-067-787-01	LEVER-FL DOOR	

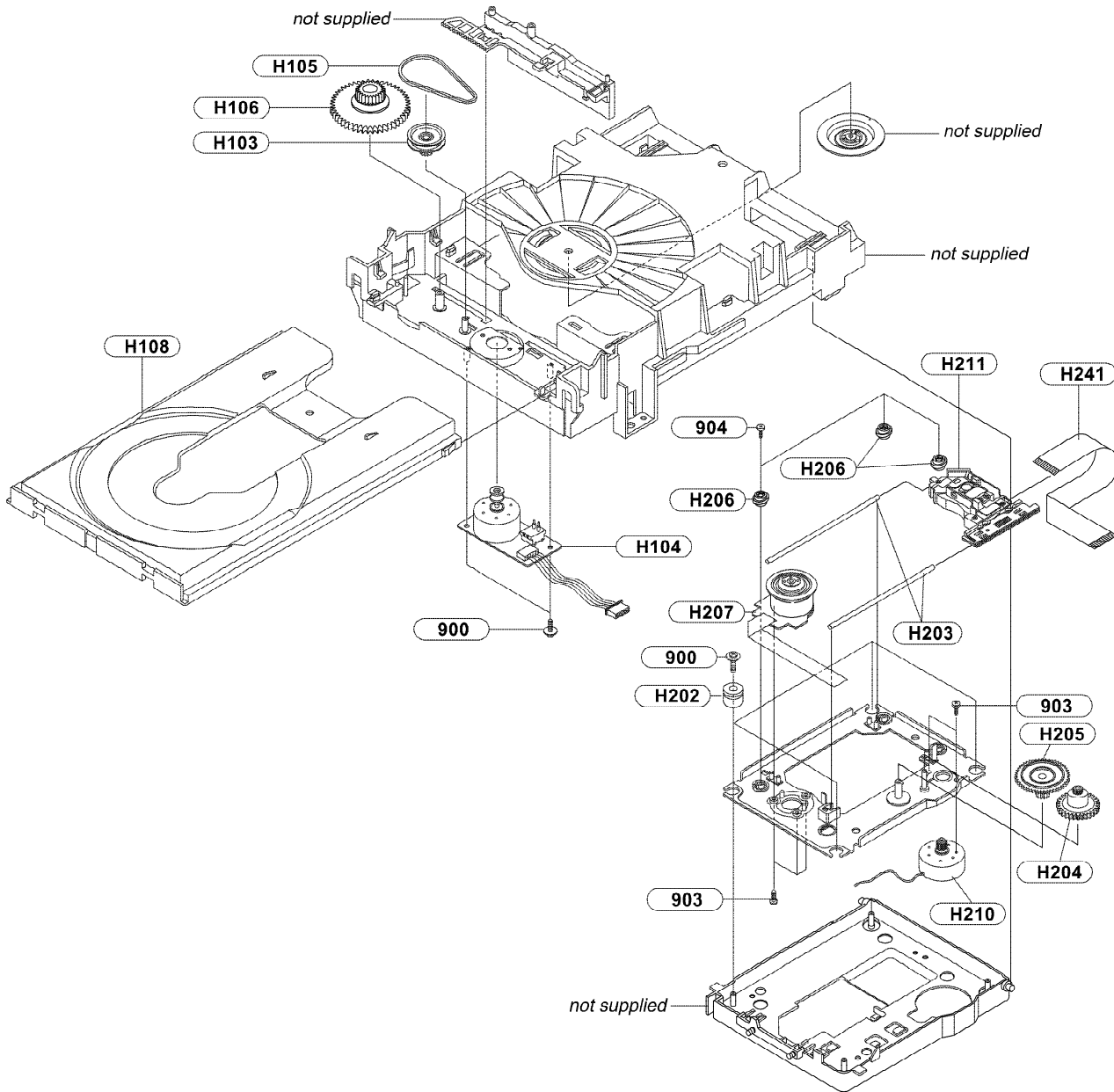
Ref. No.	Part No.	Description	Remarks
G555	3-067-784-01	LEVER-UNIT PINCH	
G680	3-075-021-01	AUTO HEAD CLEANER (G680)	
G681	3-075-022-01	AUTO HEAD CLEANER (G681)	
K110	3-075-047-01	DISK S REEL	
K140	3-075-046-01	DISK T REEL	
K240	3-067-781-01	LEVER-TENSION	
K248	3-067-782-01	SPRING-TENSION LEVER	
K250	3-067-783-01	BAND-BREAK	
K340	3-067-785-01	LEVER-T. BRAKE	
K350	3-067-786-01	SPRING-BRAKE	
K490	3-067-788-01	HOLDER-FL CASS.	
K546	3-067-789-01	GUIDE-CASS.DOOR	

8-1-3 VCR Mechanical Parts (Bottom Side)



Ref. No.	Part No.	Description	Remarks	Ref. No.	Part No.	Description	Remarks
B462	3-075-260-01	SCREW MAC 3X3		B570	3-075-259-01	SCREW CAP 2.6X6	
B560	1-796-432-11	MOTOR CAPSTAN		G542	3-067-790-01	BELT-PULLEY	

8-1-4 DVD Mechanical Parts



The components identified by mark Δ or dotted line with mark Δ are critical for safety. Replace only with part number specified.

Ref. No.	Part No.	Description	Remarks	Ref. No.	Part No.	Description	Remarks
900	3-078-592-01	SCREW TAP 2X6		H203	3-078-588-01	SHAFT PU	
903	9-885-037-07	SCREW MAC 1.7X5		H204	9-885-037-31	GEAR FEED A	
904	9-885-037-08	SCREW TAP 1.7X5		H205	9-885-037-32	GEAR FEED B	
H103	9-885-037-29	PULLEY GEAR		H206	9-885-037-23	HOLDER-CAM SKEW	
H104	9-885-037-20	MOTOR LOADING ASSY		H207	9-885-037-21	MOTOR-SPINDLE	
H105	3-078-583-01	BELT RECTANGULAR		H210	9-885-037-22	MOTOR FEED ASSY	
H106	9-885-037-30	GEAR TRAY		Δ H211	9-885-037-37	ASSY PICK UP	
H108	9-885-037-24	TRAY DISC		H241	9-885-037-06	CABLE FLAT 24P	
H202	9-885-037-35	RUBBER INSULATOR					

8-2 ELECTRICAL PARTS LIST

NOTE:

- Due to standardization, replacements in the parts list may be different from the parts specified in the diagrams or the components used on the set.
- -XX, and -X mean standardized parts, so they may have some difference from the original one.
- RESISTORS
All resistors are in ohms.
METAL: metal-film resistor
METAL OXIDE: Metal Oxide-film resistor
F: nonflammable
- Not all of the parts are listed.

- Items marked "*" are not stocked since they are seldom required for routine service. Some delay should be anticipated when ordering these items.
- SEMICONDUCTORS
In each case, u: μ , for example:
uA...: μ A... , uPA... , μ PA... ,
uPB... , μ PB... , uPC... , μ PC... ,
uPD... , μ PD...
• CAPACITORS:
uF: μ F
• COILS
uH: μ H

When indicating parts by reference number, please include the board name.

The components identified by mark \triangle or dotted line with mark \triangle are critical for safety. Replace only with part number specified.

Ref. No.	Part No.	Description	Remarks	Ref. No.	Part No.	Description	Remarks
		DVD MAIN BOARD *****				FUNCTION BOARD *****	
						< SWITCH >	
	9-885-043-18	PWB MAIN ASSY (EXCEPT D910R/D910AZ)					
	9-885-043-19	PWB MAIN ASSY (D910R)					
	9-885-043-20	PWB MAIN ASSY (D910AZ)					
		< DIODE >					
DD1	1-805-013-11	DIODE DAP202K		SW704	1-786-353-11	TACT SW (TAPPING 5mm) (D910B/D910E/D910N/D910R)	
		< IC >		SW705	1-786-353-11	TACT SW (TAPPING 5mm) (D910B/D910E/D910N/D910R)	
AIC2	1-805-024-11	IC (DA CONVERTER)		SW706	1-786-353-11	TACT SW (TAPPING 5mm) (D910B/D910E/D910N/D910R)	
AIC4	1-805-028-11	IC (OP AMP 4560)		SW708	1-786-353-11	TACT SW (TAPPING 5mm)	
PIC1	1-805-030-11	IC 1563 (V REGULATOR)		SW709	1-786-353-11	TACT SW (TAPPING 5mm) (D910B/D910E/D910N/D910R)	
PIC2	9-885-037-02	IC (POSI. FIXED)					
RIC1	9-885-037-19	IC S5L1463A01 (ASIC)				S. M. P. S. BOARD *****	
SIC1	9-885-037-18	IC S5L1455X01 (ASIC)		FC1SS1	1-576-527-11	FUSE CLIP	
SIC2	9-885-036-98	IC 41LV16256 (DRAM)		FC1SS2	1-576-527-11	FUSE CLIP	
SIC3	9-885-036-97	IC FAN8728 (MOTOR DRIVER)		SC01	3-075-256-01	SCREW TAP 3X12	
VIC1	9-885-037-03	IC LA73054 (VIDEO)				< CAPACITOR >	
ZIC1	9-885-043-28	IC ZR36742 (DECODER)		\triangle C1SD02	1-165-573-11	CONDENSER FILM	0.1uF
ZIC2	9-885-036-99	IC IS42S16400A-7T (DRAM)		\triangle C1SS01	1-165-573-11	CONDENSER FILM	0.1uF
ZIC3	9-885-050-82	IC (FLASH MEMORY) (EURO W) (D950B/D950GI/D950E/D910E/D910B)				< DIODE >	
ZIC3	9-885-050-83	IC (FLASH MEMORY) (EURO E) (D910N/D910R)		D1P101	1-804-409-11	DIODE IN4002	
ZIC3	9-885-050-85	IC (FLASH MEMORY) (AZ) (D910AZ)		D1P103	1-804-407-11	DIODE IN4148	
ZIC7	1-805-027-11	IC 24C021 (EEPROM)		D1P104	1-804-407-11	DIODE IN4148	
ZIC8	1-805-022-11	IC 74VHCT125A (CMOS LOGIC)		D1SF01	1-804-407-11	DIODE IN4148	
		< TRANSISTOR >		D1SF02	1-804-412-11	DIODE FIT4	
DQ1	1-805-016-11	TRANSISTOR KSC1623-L		D1SS01	1-804-413-11	DIODE IT5	
DQ2	1-805-016-11	TRANSISTOR KSC1623-L		D1SS02	1-804-413-11	DIODE IT5	
DQ3	1-805-016-11	TRANSISTOR KSC1623-L		D1SS03	1-804-413-11	DIODE IT5	
RQ1	1-805-014-11	TRANSISTOR KSA1182-Y		D1SS04	1-804-413-11	DIODE IT5	
RQ2	1-805-014-11	TRANSISTOR KSA1182-Y		D1SS11	1-804-408-11	DIODE UF4007	
		< VIBRATOR >		D1SS12	1-805-041-11	DIODE SE55	
SY1	1-795-749-11	CRYSTAL UNIT (33.8688MHz)		D1SS13	1-805-041-11	DIODE SE55	
ZY1	1-795-750-11	CRYSTAL UNIT (27MHz)		D1SS14	1-805-041-11	DIODE SE55	
				D1SS15	1-804-412-11	DIODE FIT4	
				D1SS16	1-804-411-11	DIODE UG2D	

S. M. P. S. VCR MAIN

Ref. No.	Part No.	Description	Remarks
D1SS17	1-804-412-11	DIODE FIT4	
D1SS19	1-804-412-11	DIODE FIT4	
ZD1P02	1-804-418-11	DIODE MTZJ12B	
ZD1P03	1-804-417-11	DIODE MTZJ9.1B	
ZD1SS1	9-885-036-94	DIODE MTZJ20B	
ZD1SS2	1-805-265-11	DIODE MTZJ4.3B	
		< FET >	
SCS11A	9-885-036-95	FET SILICON	
		< FUSE >	
△F1SD01	1-576-526-11	FUSE (1.6A/250V)	
		< IC >	
△IC1S02	1-804-784-11	IC PHOTO COUPLER	
IC1S03	1-804-445-11	IC KA4318	
IC1SS2	9-885-037-01	IC (PWM CONTROLLER)	
		< COIL >	
△L1SS01	1-424-831-11	LINE FILTER 20uH	
△L1SS02	1-424-831-11	LINE FILTER 20uH	
		< TRANSFORMER >	
△PT1SD1	9-885-043-32	TRANS SWITCHING EER3530	
		< TRANSISTOR >	
Q1P101	1-804-424-11	TRANSISTOR KSC2328AY	
Q1P104	1-804-424-11	TRANSISTOR KSC2328AY	
VCR MAIN BOARD			

	9-885-043-36	PWB MAIN ASSY VHS (D950B)	
	9-885-043-37	PWB MAIN ASSY VHS (D950GI)	
	9-885-043-38	PWB MAIN ASSY VHS (D950E)	
	9-885-043-39	PWB MAIN ASSY VHS (D910E)	
	9-885-043-40	PWB MAIN ASSY VHS (D910B)	
	9-885-043-41	PWB MAIN ASSY VHS (D910N)	
	9-885-043-42	PWB MAIN ASSY VHS (D910R)	
	9-885-043-43	PWB MAIN ASSY VHS (D910AZ)	
JC801S	3-078-566-01	SCREW TAP M3 L10 BLK (EXCEPT D910AZ)	
PIC3S	3-075-255-01	SCREW TAP 3X8	
		< DIODE >	
D301	1-804-407-11	DIODE IN4148	
D302	1-804-409-11	DIODE IN4002	
D401	1-804-409-11	DIODE IN4002	
D501	1-804-409-11	DIODE IN4002	
D603	1-804-407-11	DIODE IN4148	
D620	1-804-409-11	DIODE IN4002	
D688	1-804-407-11	DIODE IN4148	
D692	1-804-409-11	DIODE IN4002	
D701	1-804-407-11	DIODE IN4148	

Ref. No.	Part No.	Description	Remarks
D702	1-804-407-11	DIODE IN4148	
D703	1-804-407-11	DIODE IN4148	
D704	1-804-407-11	DIODE IN4148	
D705	1-804-407-11	DIODE IN4148	
D805	1-804-407-11	DIODE IN4148 (EXCEPT D910AZ)	
D80A	1-804-407-11	DIODE IN4148 (EXCEPT D910AZ)	
D81A	1-804-407-11	DIODE IN4148 (EXCEPT D910AZ)	
D899	1-804-409-11	DIODE IN4002	
D4N01	1-804-407-11	DIODE IN4148	
D4N02	1-804-407-11	DIODE IN4148	
D601C	1-804-409-11	DIODE IN4002	
D6P01	1-804-407-11	DIODE IN4148	
D1P105	1-804-407-11	DIODE IN4148	
D1P107	1-804-407-11	DIODE IN4148	
D1P108	1-804-407-11	DIODE IN4148	
DAA801	1-805-012-11	DIODE DAN202K	
DAA802	1-805-009-11	DIODE DAN217	
DAA803	1-805-012-11	DIODE DAN202K	
DAA804	1-805-012-11	DIODE DAN202K	
DAA805	1-805-012-11	DIODE DAN202K	
DAA810	1-805-012-11	DIODE DAN202K (D910AZ)	
DAA811	1-805-012-11	DIODE DAN202K (D910AZ)	
RD801	1-804-407-11	DIODE IN4148	
RD802	1-804-407-11	DIODE IN4148	
VZ1	1-805-011-11	DIODE UDZ9.1B	
VZ2	1-805-011-11	DIODE UDZ9.1B	
VZ3	1-805-011-11	DIODE UDZ9.1B	
VZ4	1-805-011-11	DIODE UDZ9.1B	
VZ5	1-805-011-11	DIODE UDZ9.1B (D910AZ)	
VZ6	1-805-011-11	DIODE UDZ9.1B (D910AZ)	
VZ9	1-805-011-11	DIODE UDZ9.1B (D910AZ)	
VZ10	1-805-011-11	DIODE UDZ9.1B (D910AZ)	
ZD01C	1-804-417-11	DIODE MTZJ9.1B (EXCEPT D910AZ)	
ZD02C	1-805-011-11	DIODE UDZ9.1B (EXCEPT D910AZ)	
ZD03C	1-804-417-11	DIODE MTZJ9.1B (EXCEPT D910AZ)	
ZD04C	1-805-011-11	DIODE UDZ9.1B (EXCEPT D910AZ)	
ZD401	1-804-414-11	DIODE UZP33B	
ZD701	1-805-011-11	DIODE UDZ9.1B	
ZD801	1-804-803-11	DIODE MTZ6.2B (EXCEPT D910AZ)	
ZD806	1-805-011-11	DIODE UDZ9.1B	
ZD807	1-805-011-11	DIODE UDZ9.1B	
ZD809	1-805-011-11	DIODE UDZ9.1B (EXCEPT D910AZ)	
ZD810	1-805-011-11	DIODE UDZ9.1B (EXCEPT D910AZ)	
ZD811	1-805-011-11	DIODE UDZ9.1B (EXCEPT D910AZ)	
ZD1P04	1-804-416-11	DIODE MTZJ5.1B	
ZD1P05	1-804-418-11	DIODE MTZJ12B	
ZD1P06	1-804-416-11	DIODE MTZJ5.1B	
ZDA880	1-804-417-11	DIODE MTZJ9.1B (EXCEPT D910AZ)	
ZDA881	1-804-417-11	DIODE MTZJ9.1B (EXCEPT D910AZ)	
ZDA885	1-805-011-11	DIODE UDZ9.1B (D910AZ)	
ZDA886	1-805-011-11	DIODE UDZ9.1B (D910AZ)	

Note :
 The components identified by mark △ or dotted line with mark △ are critical for safety.
 Replace only with part number specified.

Ref. No.	Part No.	Description	Remarks	Ref. No.	Part No.	Description	Remarks
		< FUSE >					
△ FZ01	1-576-729-11	FUSE-RADIAL LEAD1A		Q814	1-805-016-11	TRANSISTOR	KSC1623-L (EXCEPT D910AZ)
△ FZ02	1-576-729-11	FUSE-RADIAL LEAD1A		Q815	1-805-016-11	TRANSISTOR	KSC1623-L (EXCEPT D910AZ)
△ FZ03	1-576-729-11	FUSE-RADIAL LEAD1A		Q816	1-805-016-11	TRANSISTOR	KSC1623-L (EXCEPT D910AZ)
△ FZ04	1-576-729-11	FUSE-RADIAL LEAD1A		Q880	1-804-429-11	TRANSISTOR	KSR2001 (EXCEPT D910AZ)
		< IC >		Q882	1-804-429-11	TRANSISTOR	KSR2001 (EXCEPT D910AZ)
DIC1	1-805-039-11	IC M74HCU04		Q3A01	1-804-421-11	TRANSISTOR	KSC945
IC301	1-804-702-11	IC (VIDEO)		Q3A02	1-804-420-11	TRANSISTOR	KSA733
IC501	1-804-703-11	IC (HIFI)		Q3A03	1-804-422-11	TRANSISTOR	KTC3023
IC604	1-804-704-11	IC (RESET) (EXCEPT D910AZ)		Q3A04	1-804-422-11	TRANSISTOR	KTC3023
IC604	1-804-773-11	IC (RESET) (D910AZ)		Q3A05	1-804-422-11	TRANSISTOR	KTC3023
IC605	1-804-432-11	IC 524C80D81		Q3A06	1-804-420-11	TRANSISTOR	KSA733
IC608	1-804-705-11	IC (POWER DETECT) (D910N/D910R/D910AZ)		Q6P01	1-804-420-11	TRANSISTOR	KSA733
IC701	9-885-043-27	IC (LED DRIVER)		Q6P02	1-804-420-11	TRANSISTOR	KSA733
IC802	9-885-036-96	IC BU4053BCFV (CMOS LOGIC)		Q6P04	1-804-421-11	TRANSISTOR	KSC945
IC803	9-885-036-96	IC BU4053BCFV (CMOS LOGIC)	(EXCEPT D910AZ)	Q1P102	1-804-429-11	TRANSISTOR	KSR2001
IC3S01	1-804-701-11	IC (SECAM) (D950B/D910B/D910R)		Q1P103	1-804-421-11	TRANSISTOR	KSC945
IC4N01	1-805-156-11	IC MSP3417D (PQFP) (AUDIO)		Q1P105	1-804-424-11	TRANSISTOR	KSC2328AY
IC6P01	1-804-453-11	IC (PDC/OSD) (EXCEPT D910R/D910AZ)		Q1P106	1-804-424-11	TRANSISTOR	KSC2328AY
IC6P01	1-804-454-11	IC (OSD) (D910R/D910AZ)		Q1P107	1-804-424-11	TRANSISTOR	KSC2328AY
ICA811	1-805-028-11	IC 4560 (OP AMP) (EXCEPT D950B/D910B)		Q1P108	1-804-429-11	TRANSISTOR	KSR2001
PIC3	1-805-031-11	IC 3RD13 (V REGULATOR)		Q1P109	1-804-421-11	TRANSISTOR	KSC945
		< LED >		Q1P110	1-804-424-11	TRANSISTOR	KSC2328AY
LD601	1-804-438-11	LED-IR (T/S REEL)		Q1P111	1-804-424-11	TRANSISTOR	KSC2328AY
LD701	9-885-043-30	LED DISPLAY (D950B/D950GI/D950E)		QA801	1-805-016-11	TRANSISTOR	KSC1623-L
LD701	9-885-043-31	LED DISPLAY	(D910E/D910B/D910N/D910R/D910AZ)	QA802	1-805-016-11	TRANSISTOR	KSC1623-L
		< TRANSISTOR >		QAA801	1-805-017-11	TRANSISTOR	200MW
PT601	1-804-770-11	TRANSISTOR	PHOTO INTERRUPTER	QAA802	1-805-018-11	TRANSISTOR	KSR2103
PT602	1-804-770-11	TRANSISTOR	PHOTO INTERRUPTER	QAA803	1-805-015-11	TRANSISTOR	KSA812
Q302	1-804-421-11	TRANSISTOR	KSC945	QAA804	1-805-018-11	TRANSISTOR	KSR2103
			(D950B/D910B/D910R)	QAA805	1-805-017-11	TRANSISTOR	200MW
Q305	1-804-429-11	TRANSISTOR	KSR2001	QAA806	1-805-016-11	TRANSISTOR	KSC1623-L
Q351	1-804-420-11	TRANSISTOR	KSA733	QAA807	1-805-018-11	TRANSISTOR	KSR2103
Q3Q1	1-804-421-11	TRANSISTOR	KSC945	QAA808	1-805-016-11	TRANSISTOR	KSC1623-L
Q3Q2	1-804-421-11	TRANSISTOR	KSC945	QAA809	1-805-017-11	TRANSISTOR	200MW
Q3Q3	1-804-421-11	TRANSISTOR	KSC945	QAV802	1-805-015-11	TRANSISTOR	KSA812 (EXCEPT D910AZ)
Q3Q4	1-804-421-11	TRANSISTOR	KSC945				< MODULE >
Q3Q6	1-804-428-11	TRANSISTOR	KSR1004	RM701	1-477-308-11	REMOCON MOD (TSOP2238WE1)	
Q3Q7	1-804-421-11	TRANSISTOR	KSC945				< PHOTO TRANSISTOR >
Q601	1-804-428-11	TRANSISTOR	KSR1004	S601	1-804-439-11	PHOTO TRANSISTOR (END SENSOR)	
Q802	1-804-428-11	TRANSISTOR	KSR1004 (EXCEPT D910AZ)	S602	1-804-439-11	PHOTO TRANSISTOR (START SENSOR)	
Q803	1-804-428-11	TRANSISTOR	KSR1004 (EXCEPT D910AZ)				< SWITCH >
Q804	1-804-429-11	TRANSISTOR	KSR2001 (EXCEPT D910AZ)	SW601	1-786-198-11	SWITCH MODE (PROGRAM SWITCH)	
Q808	1-804-428-11	TRANSISTOR	KSR1004	SW602	1-786-199-11	SWITCH REC (REC SWITCH)	
Q809	1-804-421-11	TRANSISTOR	KSC945 (EXCEPT D910AZ)				< TUNER >
Q810	1-804-421-11	TRANSISTOR	KSC945	TM401	1-693-633-11	TUNER PAL (D950B/D910B)	
Q811	1-804-421-11	TRANSISTOR	KSC945 (EXCEPT D910AZ)	TM401	9-885-043-35	TUNER PAL (EXCEPT D950B/D910B)	
Q812	9-885-043-26	TRANSISTOR	KSR1104				
Q813	9-885-043-26	TRANSISTOR	KSR1104				

Note :
The components identified by mark △ or dotted line with mark △ are critical for safety. Replace only with part number specified.

VCR MAIN

Ref. No.	Part No.	Description	Remarks
		< VIBRATOR >	
XT301	1-795-330-11	VIBRATOR CRYSTAL (4.433619MHz)	
XT601	1-795-332-11	VIBRATOR CRYSTAL (32.768kHz) (D910AZ/D910N/D910R)	
XT602	1-795-331-11	VIBRATOR CRYSTAL (8MHz)	
XT4N01	9-885-043-29	CRYSTAL (18.432MHz)	

MISCELLANEOUS *****

△200	1-823-023-11	POWER CORD KKP419C (EXCEPT D950GI)	
△200	1-823-025-11	POWER CORD Y352 (D950GI)	
B410	1-763-836-11	LOADING ASSY, MOTOR	
B560	1-796-432-11	MOTOR CAPSTAN	
G001	1-796-704-11	ASSY CLYNDER 6HD (SECAM)	
H104	9-885-037-20	MOTOR LOADING ASSY	
H207	9-885-037-21	MOTOR-SPINDLE	
H210	9-885-037-22	MOTOR FEED ASSY	
△H211	9-885-037-37	ASSY PICK UP	
H241	9-885-037-06	CABLE FLAT 24P	

ACCESSORIES & PACKING MATERIALS *****

3-084-914-12	MANUAL, INSTRUCTION (FRENCH) (D910E)	
3-084-914-22	MANUAL, INSTRUCTION (ITALIAN) (D910E)	
3-084-914-32	MANUAL, INSTRUCTION (SPANISH) (D910E/D950E)	
3-084-914-42	MANUAL, INSTRUCTION (GERMAN) (D910E/D950E)	
3-084-914-52	MANUAL, INSTRUCTION (DUTCH) (D910E/D950E)	
3-084-915-12	MANUAL, INSTRUCTION (ENGLISH) (D950GI)	
3-084-916-12	MANUAL, INSTRUCTION (FRENCH) (D910B/D950B)	
3-084-917-11	MANUAL, INSTRUCTION (ENGLISH) (D910N)	
3-084-917-21	MANUAL, INSTRUCTION (POLISH) (D910N)	
3-084-917-31	MANUAL, INSTRUCTION (HUNGARIAN) (D910N)	
3-084-917-41	MANUAL, INSTRUCTION (CZECH) (D910N)	
3-084-917-51	MANUAL, INSTRUCTION (RUSSIAN) (D910R)	
3-084-918-12	MANUAL, INSTRUCTION (ENGLISH) (D910AZ)	
9-885-043-07	COMMANDER (RMT-V503A) (D910B/D910E/D910N/D910R/D910AZ)	
9-885-043-08	COMMANDER (RMT-V503B) (D950B/D950E/D950GI)	
9-885-043-33	CABLE RCA (RED)	
9-885-043-34	CABLE RCA (YEL)	

Note :
The components identified by mark △ or dotted line with mark △ are critical for safety. Replace only with part number specified.

**SLV-D910AZ/D910B/D910E/D910N/D910R/
D950B/D950E/D950GI**