

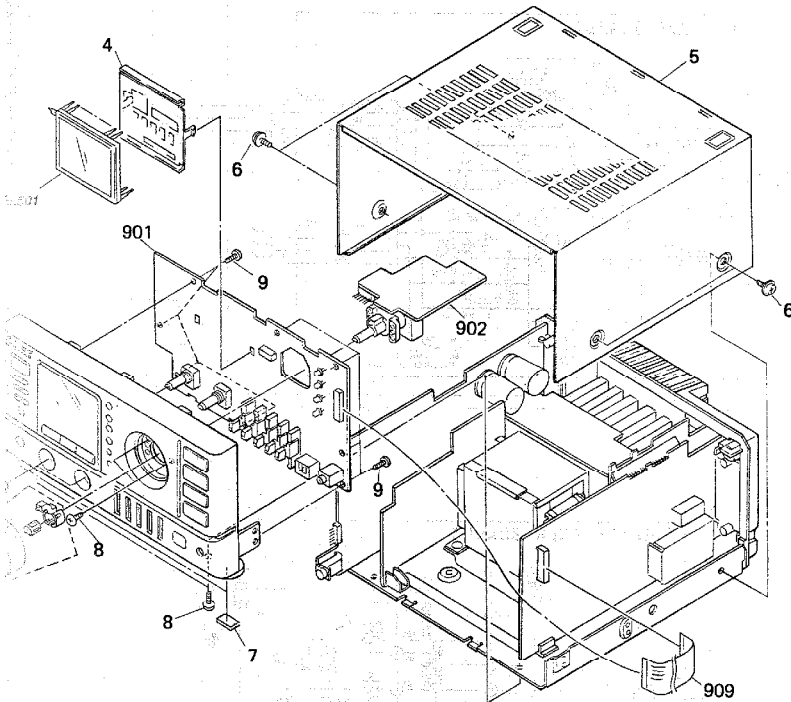
SECTION 4 EXPLODED VIEWS

Parts with no reference in exploded views are not shown.

Parts of an assembled unit with a collation number, are not shown.

Parts not stocked since they are required for routine maintenance should be anticipated.

3. FRONT PANEL



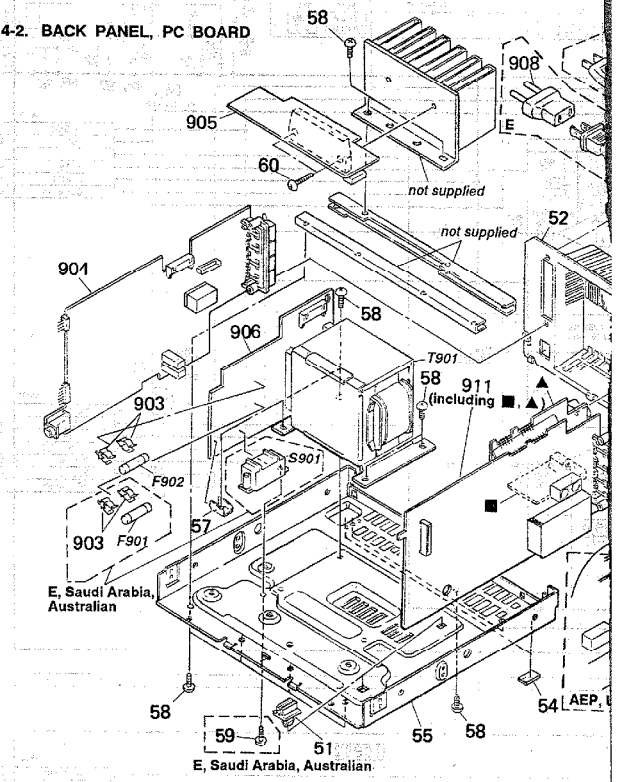
The components identified by mark **A** or dotted line with mark **A** are critical for safety. Replace only with part number specified.

- Due to standardization, parts with part number suffix -XX and -X may be different from the parts specified in the components used on the set.
- Color Indication of Appearance Parts Example:
(RED) ... KNOB, BALANCE (WHITE)
↑ Cabinet's Color ↑ Parts Color

No.	Description	Remarks
903-803-1	KNOB (VOLUME) ASSY	
903-823-01	KNOB	
905-701-1	(AEP, UK, Italian)...PANEL ASSY, FRONT	
905-702-1	(E, Saudi Arabia, Australian) ...PANEL ASSY, FRONT	
907-723-01	HOLDER (FL)	
909-841-01	(AEP, UK, Italian)...CASE	
909-841-11	(E, Saudi Arabia, Australian)...CASE	
904-306-01	SCREW (CASE) (M3X8)	
904-306-01	FOOT (FEET)	
904-347-04	SCREW +BVT 3X6 (S)	
904-347-19	SCREW +BTP 2.6X8 TYPE2 N-S	

No.	Part No.	Description	Remarks
901	*A-4334-433-A	(AEP, UK).....MOUNTED PCB, PANEL	
	*A-4334-445-A	(Italian).....MOUNTED PCB, PANEL	
	*A-4334-451-A	(E, Saudi Arabia, Australian) ...MOUNTED PCB, PANEL	
902	*1-634-752-11	PC BOARD, VOL	
909	1-575-733-11	WIRE, FLAT TYPE (17 CORE)	
FL501	1-519-673-11	INDICATOR TUBE, FLUORESCENT	

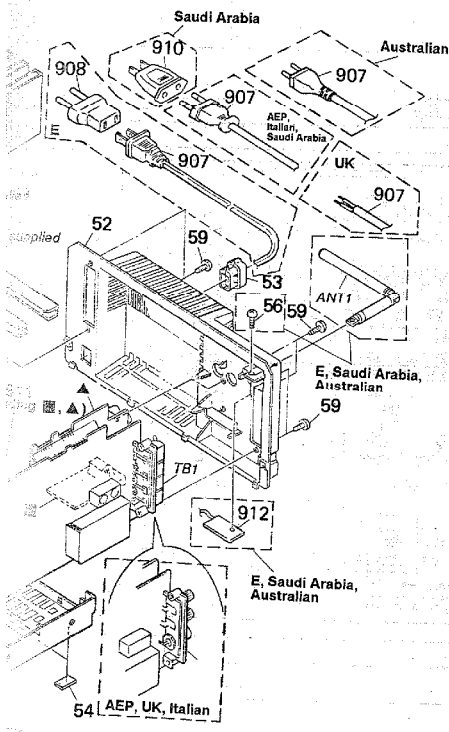
4-2. BACK PANEL, PC BOARD



No.	Part No.	Description	Remarks	No.	Part No.	Description	Remarks
51	*3-642-310-00	HOLDER, CIRCUIT BOARD		908	Δ.1-526-565-0		
52	*4-937-724-01	(AEP, UK, Italian)...PANEL, BACK		910	Δ.1-506-409-1		
	*4-937-724-11	(E, Saudi Arabia, Australian) ...PANEL, BACK		911	*A-4334-434-		
					*A-4334-440-		
					*A-4334-452-		
53	*3-703-244-00	(EXCEPT E)...BUSHING (2104), CORD		912	*1-634-753-1		
	*3-703-671-00	(E).....BUSHING (S)(4516), CORD		ANT1	1-501-420-1		
54	4-930-336-01	FOOT (FEET)		F901	Δ.1-532-285-0		
55	*4-932-854-11	(AEP, UK, Italian).....CHASSIS		F902	Δ.1-532-285-0		
	*4-932-854-21	(E, Saudi Arabia, Australian) ...CHASSIS		S901	Δ.1-571-309-1		
56	7-682-549-09	(E, Saudi Arabia, Australian) ...SCREW +B 3X10		T901	Δ.1-450-071-1		
57	*4-932-825-01	BRACKET (MT)		T901	Δ.1-450-072-1		
58	7-682-547-04	SCREW +BVT 3X6 (S)		T901	Δ.1-450-073-1		
59	7-682-647-19	SCREW +BVT 3X10 TYPE2 N-S		T81	*1-537-138-3		
60	7-682-650-79	SCREW +BVT 3X16 TYPE2 IT-3		T81	Δ.1-537-238-2		
903	1-533-213-31	HOLDER, FUSE					
904	*A-4334-437-A	(AEP, UK).....MOUNTED PCB, POWER SUPPLY					
	*A-4334-443-A	(Italian).....MOUNTED PCB, POWER SUPPLY					
	*A-4334-455-A	(E, Saudi Arabia, Australian) ...MOUNTED PCB, POWER SUPPLY					
905	*A-4334-436-A	(AEP, UK).....MOUNTED PCB, POWER					
	*A-4334-442-A	(Italian).....MOUNTED PCB, POWER					
	*A-4334-454-A	(E, Saudi Arabia, Australian) ...MOUNTED PCB, POWER					
906	*1-634-748-11	PC BOARD, TRANSFORMER					
907	Δ.1-574-804-11	(UK).....CORD, POWER					
	Δ.1-574-805-11	(AEP, Italian, Saudi Arabia) ...CORD, POWER					
	Δ.1-574-902-11	(E).....CORD, POWER					
	Δ.1-575-677-11	(Australian).....CORD, POWER					

Note: The cor line with Replace

SECTION 5 ELECTRICAL PARTS LIST



NOTE:

- Due to standardization, replacements in the parts list may be different from the parts specified in the diagrams or the components used on the set.
- Items marked "*" are not stocked since they are seldom required for routine service. Some delay should be anticipated when ordering these items.
- If there are two or more same circuits in a set such as a stereophonic machine, only typical circuit parts may be indicated and capacitors and resistors in other same circuits may be omitted.

CAPACITORS:
MF: μ F, PF: μ PF.

RESISTORS

- All resistors are in ohms.
- F: nonflammable

COILS

- MMH: mH, UH: μ H

SEMICONDUCTORS

- In each case, U: μ , for example:
 UA...: μ A... UPA...: μ PA...
 UPC...: μ PC, UPD...: μ PD...

The components identified by mark Δ or dotted line with mark Δ are critical for safety. Replace only with part number specified.

Ref.No.	Part No.	Description
901	*A-4334-433-A (AEP,UK).....	MOUNTED PCB, PANEL
	*A-4334-445-A (Italian).....	MOUNTED PCB, PANEL
	*A-4334-451-A (E,Saudi Arabia,Australian).....	MOUNTED PCB, PANEL
902	*1-634-752-11	PC BOARD, VOL
903	1-533-213-31	HOLDER, FUSE
904	*A-4334-437-A (AEP,UK).....	MOUNTED PCB, POWER SUPPLY
	*A-4334-443-A (Italian).....	MOUNTED PCB, POWER SUPPLY
	*A-4334-455-A (E,Saudi Arabia,Australian).....	MOUNTED PCB, POWER SUPPLY
905	*A-4334-436-A (AEP,UK).....	MOUNTED PCB, POWER
	*A-4334-442-A (Italian).....	MOUNTED PCB, POWER
	*A-4334-454-A (E,Saudi Arabia,Australian).....	MOUNTED PCB, POWER
906	*1-634-748-11	PC BOARD, TRANSFORMER
907	Δ 1-574-804-11 (UK).....	CORD, POWER
	Δ 1-574-805-11 (AEP,Italian,Saudi Arabia).....	CORD, POWER
	Δ 1-574-902-11 (E).....	CORD, POWER
	Δ 1-575-677-11 (Australian).....	CORD, POWER
908	Δ 1-526-565-00 (E).....	AC PLUG ADAPTOR
909	Δ 1-575-733-11	WIRE, FLAT TYPE (17 CORE)
910	Δ 1-505-409-11 (Saudi Arabia).....	ADAPTOR, CONVERSION
911	*A-4334-434-A (AEP,UK).....	MOUNTED PCB, TUNER AUDIO
	*A-4334-440-A (Italian).....	MOUNTED PCB, TUNER AUDIO
	*A-4334-452-A (E,Saudi Arabia,Australian).....	MOUNTED PCB, TUNER AUDIO
912	*1-634-753-11 (E,Saudi Arabia,Australian).....	PC BOARD, ANT
ANT1	1-501-420-11 (E,Saudi Arabia,Australian).....	ANTENNA TELESCOPIC
C2	1-124-477-11	ELECT 47MF 20% 25V
C3	1-161-379-00	CERAMIC 0.01MF 30% 16V
C5	1-101-005-00	CERAMIC 0.022MF 50V
C6	1-162-215-31	CERAMIC 47PF 5% 50V
C8	1-101-005-00	CERAMIC 0.022MF 50V
C9	1-102-120-00 (AEP,UK,Italian).....	CERAMIC 0.0018MF 10% 50V
C10	1-161-374-11 (AEP,UK,Italian).....	CERAMIC 0.0015MF 20% 16V
C11	1-101-005-00	CERAMIC 0.022MF 50V
C12	1-101-005-00	CERAMIC 0.022MF 50V
C51	1-164-056-11	CERAMIC 27PF 5% 50V
C52	1-164-056-11	CERAMIC 27PF 5% 50V
C53	1-161-379-00	CERAMIC 0.01MF 30% 16V
C54	1-161-379-00	CERAMIC 0.01MF 30% 16V
C55	1-161-379-00	CERAMIC 0.01MF 30% 16V

Ref.No.	Part No.	Description
C56	1-161-379-00	CERAMIC 0.01MF 30% 16V
C57	1-161-379-00	CERAMIC 0.01MF 30% 16V
C58	1-126-157-11	ELECT 10MF 20% 16V
C59	1-161-379-00	CERAMIC 0.01MF 30% 16V
C60	1-124-477-11	ELECT 47MF 20% 25V
C61	1-124-925-11	ELECT 2.2MF 20% 50V
C62	1-136-153-00	FILM 0.01MF 5% 50V
C63	1-124-463-00	FILM 0.1MF 20% 50V
C64	1-124-465-00 (AEP,UK,Italian).....	ELECT 0.47MF 20% 50V
C65	1-136-157-00	FILM 0.022MF 5% 50V
C66	1-136-157-00	FILM 0.022MF 5% 50V
C67	1-162-211-31 (AEP,UK,Italian).....	CERAMIC 33PF 5% 50V
C70	1-161-378-00	CERAMIC 0.01MF 30% 16V
C81	1-161-379-00	CERAMIC 0.01MF 30% 16V
C82	1-126-176-11	ELECT 220MF 20% 10V
C83	1-161-379-00	CERAMIC 0.01MF 30% 16V
C84	1-124-927-11	ELECT 4.7MF 20% 50V
C85	1-124-463-00	ELECT 0.1MF 20% 50V
C87	1-161-379-00	CERAMIC 0.01MF 30% 16V
C88	1-126-157-11	ELECT 10MF 20% 16V
C90	1-124-477-11	ELECT 47MF 20% 25V
C91	1-136-155-00	FILM 0.015MF 5% 50V
C92	1-136-155-00	FILM 0.015MF 5% 50V
C95	1-174-438-00	ELECT 1MF 20% 50V
C96	1-124-438-00	ELECT 1MF 20% 50V
C97	1-124-438-00	ELECT 1MF 20% 50V
C98	1-124-438-00	ELECT 1MF 20% 50V
C101	1-124-477-11	ELECT 47MF 20% 25V
C102	1-161-379-00	CERAMIC 0.01MF 30% 16V
C103	1-124-465-00	ELECT 0.1MF 20% 50V
C104	1-124-465-00	ELECT 0.47MF 20% 50V
C105	1-124-438-00	ELECT 1MF 20% 50V
C106	1-124-438-00	ELECT 1MF 20% 50V
C107	1-162-282-11 (Italian).....	CERAMIC 100PF 10% 50V
C108	1-162-211-31 (EXCEPT Italian).....	CERAMIC 33PF 5% 50V
C108	1-162-282-11 (Italian).....	CERAMIC 100PF 10% 50V
C109	1-136-153-00	FILM 0.01MF 5% 50V
C110	1-161-379-00	CERAMIC 0.01MF 30% 16V
C111	1-124-925-11	ELECT 2.2MF 20% 50V
C112	1-101-005-00	CERAMIC 0.022MF 50V
C113	1-161-379-00	CERAMIC 0.01MF 30% 16V
C121	1-101-005-00 (AEP,UK,Italian).....	CERAMIC 0.022MF 50V

No.	Part No.	Description	Remarks
908	Δ 1-526-565-00	(E).....AC PLUG ADAPTOR	
910	Δ 1-505-409-11	(Saudi Arabia).....ADAPTOR, CONVERSION	
911	*A-4334-434-A (AEP,UK).....	MOUNTED PCB, TUNER AUDIO	
	*A-4334-440-A (Italian).....	MOUNTED PCB, TUNER AUDIO	
	*A-4334-452-A (E,Saudi Arabia,Australian).....	MOUNTED PCB, TUNER AUDIO	
912	*1-634-753-11	(E,Saudi Arabia,Australian).....	PC BOARD, ANT
ANT1	1-501-420-11	(E,Saudi Arabia,Australian).....	ANTENNA TELESCOPIC
901	Δ 1-532-285-00	(E,Saudi Arabia,Australian).....	FUSE, TIME-LAG (T1.25A)
902	Δ 1-532-285-00	FUSE, TIME-LAG (T1.25A)	
901	Δ 1-571-309-11	(E,Saudi Arabia,Australian).....	SWITCH 2-2 (VOLTAGE SELECTOR)
901	Δ 1-450-071-11	(E,Saudi Arabia,Australian).....	TRANSFORMER, POWER
901	Δ 1-450-072-11	(AEP,Italian).....	TRANSFORMER, POWER
901	Δ 1-450-073-11	(UK).....	TRANSFORMER, POWER
701	*1-537-138-31	(AEP,UK,Italian).....	TERMINAL BOARD (ANTENNA)
701	*1-537-238-21	(E,Saudi Arabia,Australian).....	TERMINAL BOARD (ANTENNA)

Note: The components identified by mark Δ or dotted line with mark Δ are critical for safety. Replace only with part number specified.

Note: The components identified by mark Δ or dotted line with mark Δ are critical for safety. Replace only with part number specified.