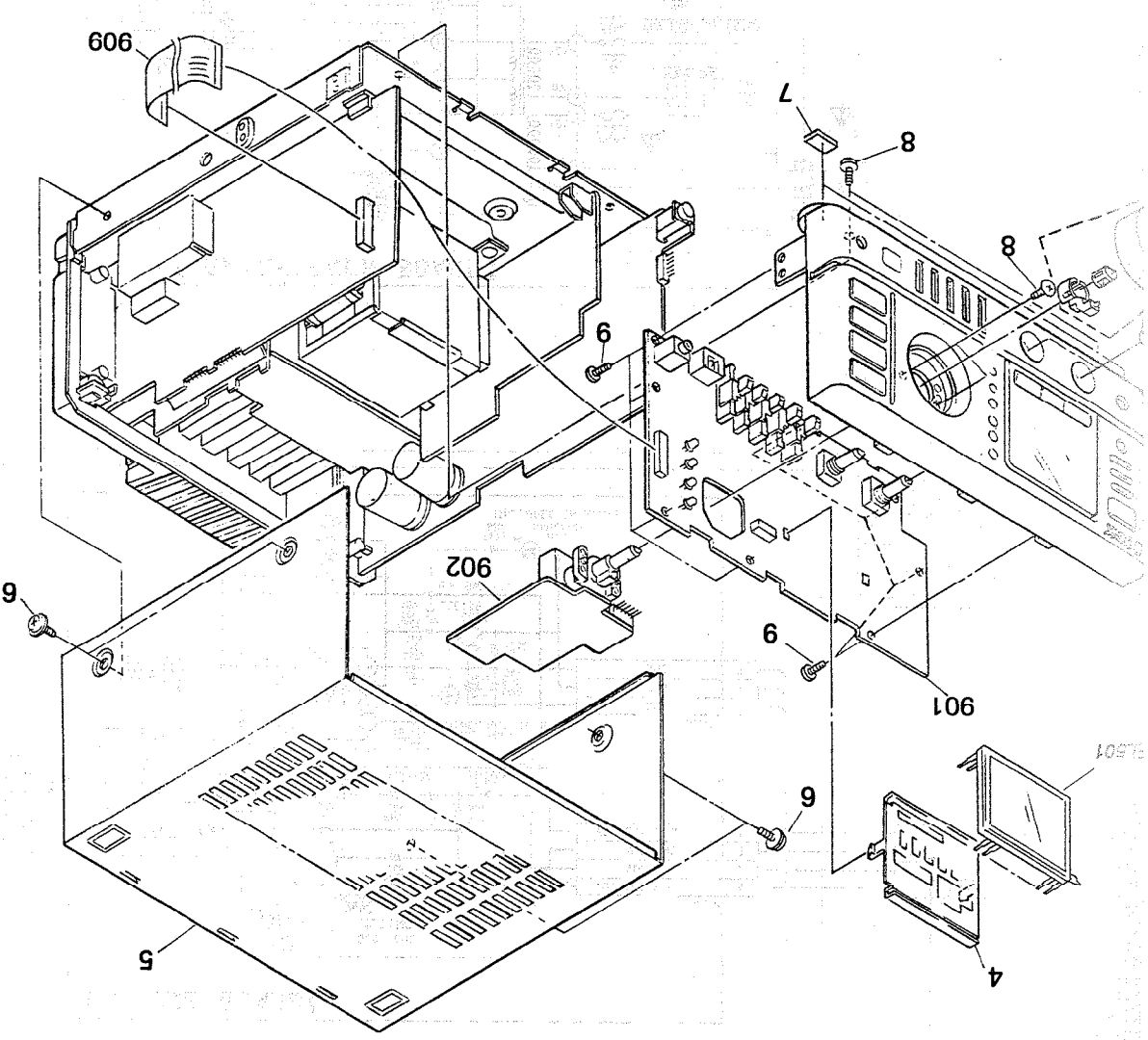


No.	Description	Remarks
906	PC BOARD, TRANSFORMER	
905	*A-4334-436-A (AEP,UK).....MOUNTED PCB, POWER	
904	*A-4334-443-A (Italian).....MOUNTED PCB, POWER SUPPLY	
903	1-533-213-31 HOLDER, FUSE	
60	7-685-650-79 SCREW +BVT 3X16 TYPE2 TT-3	
59	7-685-647-79 SCREW +BVT 3X10 TYPE2 N-S	
58	7-682-547-04 SCREW +BVT 3X6 (S)	
57	*4-932-825-01 BRACKET (MT)	
56	7-682-549-09 (E,Saudi Arabia,Australian)	
55	*4-932-854-21 (E,Saudi Arabia,Australian).....CHASSIS	
54	4-930-336-01 FOOT (FELT)	
53	*3-703-244-00 (EXCEPT E).....BUSHING (S)(4516), CORD	
52	*4-937-724-01 (AEP,UK,Italian).....PANEL, BACK	
51	*3-642-310-00 HOLDER, CIRCUIT BOARD	



FRONT PANEL

Due to standardization, parts with part number suffix -XX and -X may be different from the parts specified in the color indication of Appearance Parts

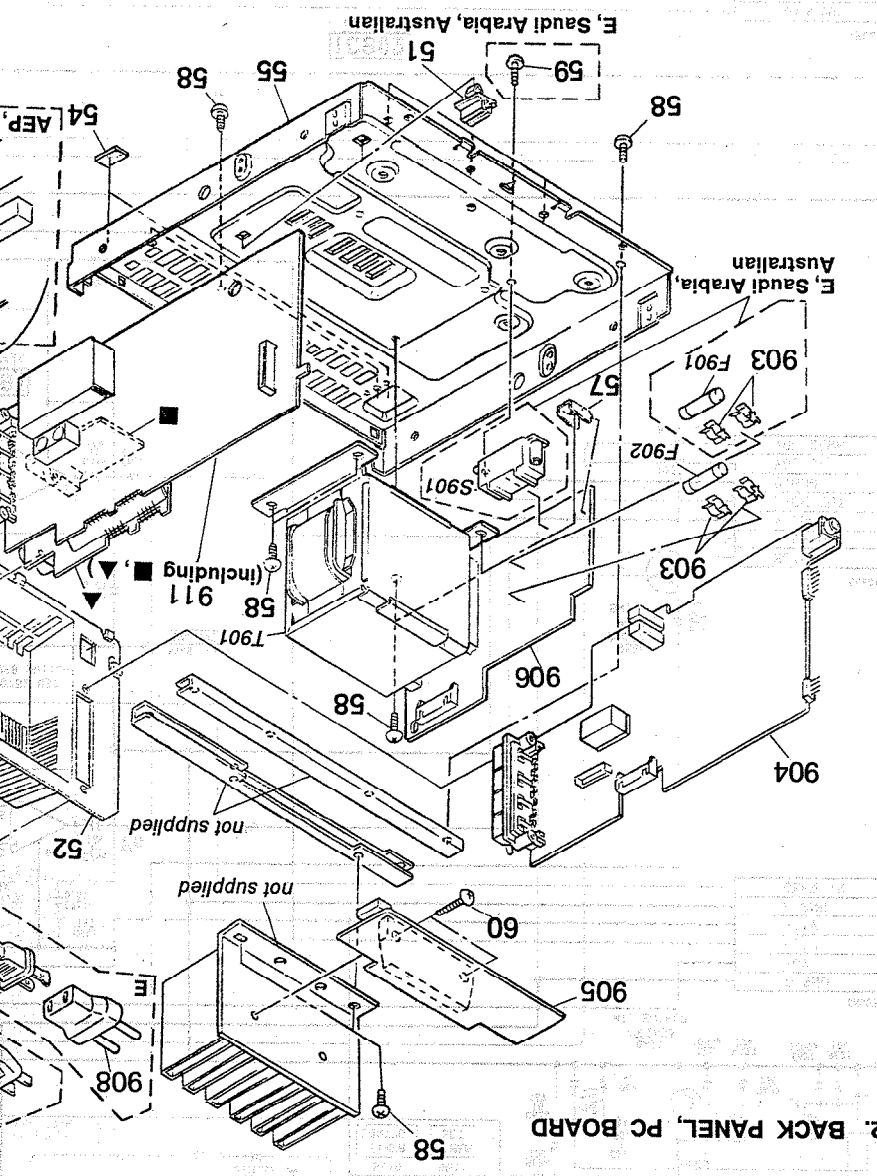
Example:
 (RED).....KNOB, BALANCE (WHITE)
 Cabinet's Color
 Parts Color

Parts with no reference in exploded views are not listed with a collation number. Parts are not stocked since a delay should be anticipated for routine ordering these items.

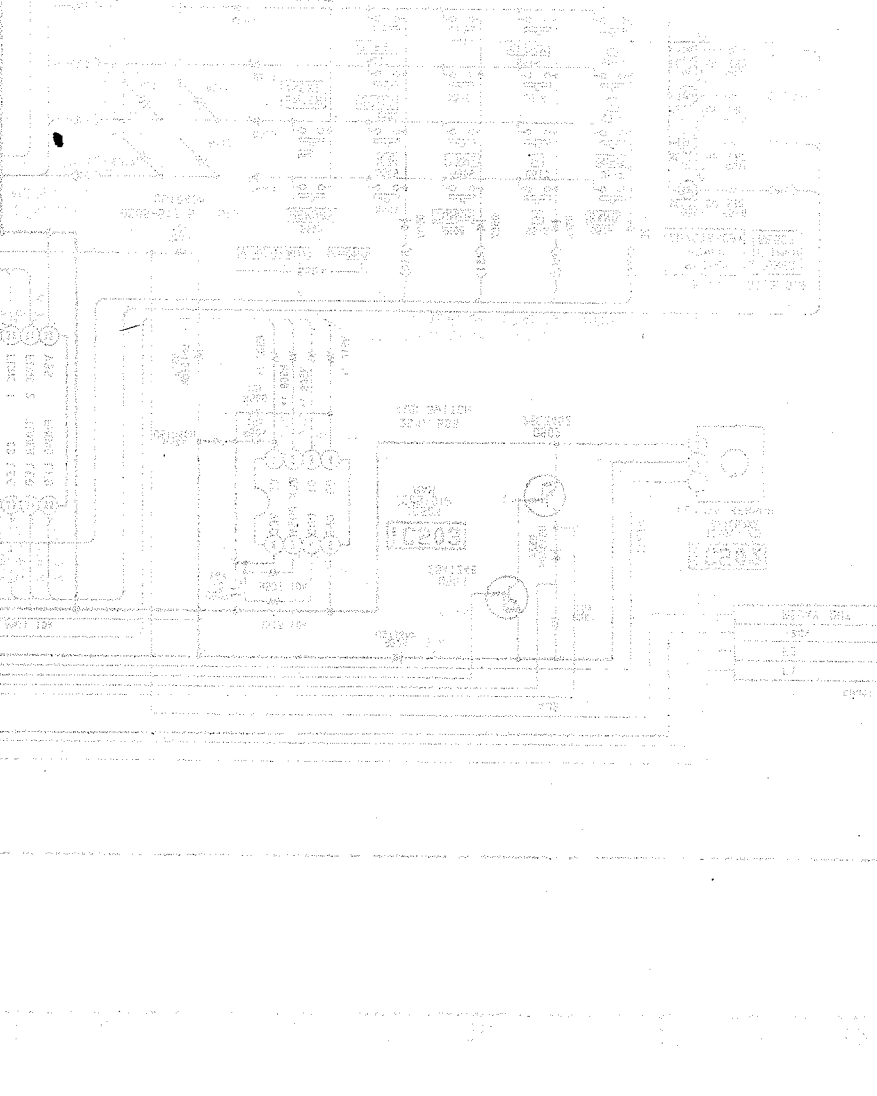
The components identified by mark Δ or dotted line with mark Δ are critical for safety. Replace only with part number specified.

**SECTION 4
EXPLODED VIEWS**

No.	Description	Remarks
908	*1-526-565-0 (AEP,UK,Italian).....PANEL, BACK	
910	*1-506-409-1 (AEP,UK,Italian).....PANEL, BACK	
911	*A-4334-434-A (AEP,UK,Italian).....PANEL, BACK	
912	*1-634-753-1 (AEP,UK,Italian).....CHASSIS	
NT1	1-501-420-1 (E,Saudi Arabia,Australian)	
F901	*1-532-285-0 BRACKET (MT)	
F902	*1-532-285-0 SCREW +BVT 3X6 (S)	
F903	*1-532-285-0 SCREW +BVT 3X10 TYPE2 N-S	
T901	*1-450-071-1 (AEP,UK).....MOUNTED PCB, POWER SUPPLY	
T901	*1-450-072-1 (AEP,UK).....MOUNTED PCB, POWER SUPPLY	
T81	*1-537-138-3 (AEP,UK).....MOUNTED PCB, POWER	
T81	*1-537-238-2 (AEP,UK).....MOUNTED PCB, POWER	
907	*1-574-804-11 (UK).....CORD, POWER	
	*1-574-805-11 (AEP,Italian,Saudi Arabia).....CORD, POWER	
	*1-574-902-11 (E).....CORD, POWER	
	*1-575-677-11 (Australian).....CORD, POWER	



4-2. BACK PANEL, PC BOARD



Note: The components with line with Δ are critical for safety. Replace only with part number specified.

SECTION 5
ELECTRICAL PARTS LIST

NOTE:
 • Due to standardization, replacements in the parts list may be different from the parts specified in the diagrams or the components used on the set.
 • Items marked "*" are not stocked since they are seldom required for routine service. Some delay should be anticipated when ordering these items.
 • If there are two or more same circuits in a set such as a stereophonic machine, only typical circuit parts may be indicated and capacitors and resistors in other same circuits may be omitted.

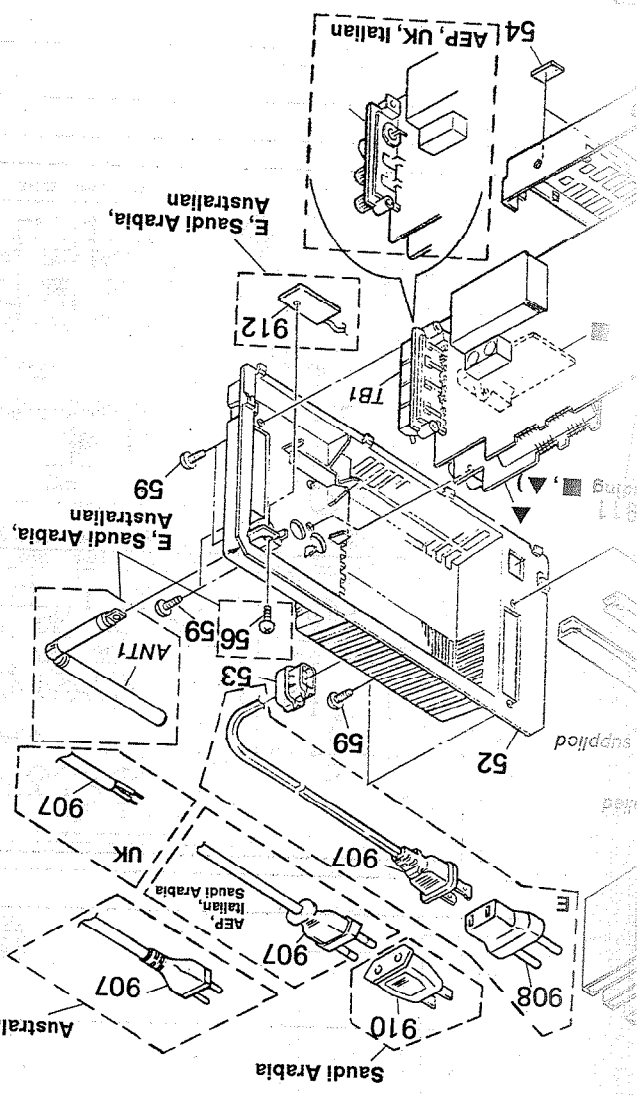
CAPACITORS:
 MF: μ F, PF: μ FF
 RESISTORS
 All resistors are in ohms.
 F: nonflammable
 COILS
 MMH: mH, UH: μ H
 SEMICONDUCTORS
 In each case, U: μ , for example:
 UA: μ A, UFA: μ FA
 UPC: μ PC, UPD: μ PD

The components identified by mark Δ or dotted line with mark ∇ are critical for safety. Replace only with part number specified.

Ref. No.	Part No.	Description
C56	1-161-379-00	CERAMIC 0.01MF 30% 16V
C57	1-161-379-00	CERAMIC 0.01MF 30% 16V
C58	1-126-157-11	ELECT 10MF 20% 16V
C59	1-161-379-00	CERAMIC 0.01MF 30% 16V
C60	1-124-477-11	ELECT 47MF 20% 25V
C61	1-124-925-11	ELECT 2.2MF 20% 50V
C62	1-136-153-00	FILM 0.01MF 5% 50V
C63	1-124-463-00	ELECT 0.1MF 20% 50V
C64	1-124-465-00	ELECT 0.47MF 20% 50V
C65	1-136-157-00	FILM 0.022MF 5% 50V
C66	1-136-157-00	FILM 0.022MF 5% 50V
C67	1-162-211-31	(AEP,UK,Italian) ... CERAMIC 33PF 5% 50V
C70	1-161-378-00	CERAMIC 0.01MF 30% 16V
C81	1-161-379-00	CERAMIC 0.01MF 30% 16V
C82	1-126-176-11	ELECT 220MF 20% 10V
C83	1-161-379-00	CERAMIC 0.01MF 30% 16V
C84	1-124-927-11	ELECT 4.7MF 20% 50V
C86	1-124-463-00	ELECT 0.1MF 20% 50V
C87	1-161-379-00	CERAMIC 0.01MF 30% 16V
C88	1-126-157-11	ELECT 10MF 20% 16V
C90	1-124-477-11	ELECT 47MF 20% 25V
C91	1-136-155-00	FILM 0.015MF 5% 50V
C92	1-136-155-00	FILM 0.015MF 5% 50V
C95	1-124-438-00	ELECT 1MF 20% 50V
C96	1-124-438-00	ELECT 1MF 20% 50V
C97	1-124-438-00	ELECT 1MF 20% 50V
C98	1-124-438-00	ELECT 1MF 20% 50V
C101	1-124-477-11	ELECT 47MF 20% 25V
C102	1-161-379-00	CERAMIC 0.01MF 30% 16V
C103	1-124-463-00	ELECT 0.1MF 20% 50V
C104	1-124-465-00	ELECT 0.47MF 20% 50V
C105	1-124-438-00	ELECT 1MF 20% 50V
C106	1-124-438-00	ELECT 1MF 20% 50V
C107	1-162-282-11	(Italian) ... CERAMIC 100PF 10% 50V
C108	1-162-211-31	(EXCEPT Italian) ... CERAMIC 33PF 5% 50V
C109	1-136-153-00	FILM 0.01MF 5% 50V
C110	1-161-379-00	CERAMIC 0.01MF 30% 16V
C111	1-124-925-11	ELECT 2.2MF 20% 50V
C112	1-101-005-00	CERAMIC 0.022MF 5% 50V
C113	1-161-379-00	CERAMIC 0.01MF 30% 16V
C121	1-101-005-00	CERAMIC 0.022MF 5% 50V

Note: The components identified by mark Δ or dotted line with mark ∇ are critical for safety. Replace only with part number specified.

Ref. No.	Part No.	Description
C2	1-124-477-11	ELECT 47MF 20% 25V
C3	1-101-005-00	CERAMIC 0.01MF 30% 16V
C5	1-101-005-00	CERAMIC 0.022MF 5% 50V
C6	1-162-215-31	CERAMIC 47PF 5% 50V
C8	1-101-005-00	CERAMIC 0.022MF 5% 50V
C9	1-102-120-00	(AEP,UK,Italian) ... CERAMIC 0.0018MF 10% 50V
C10	1-161-374-11	(AEP,UK,Italian) ... CERAMIC 0.0015MF 20% 16V
C11	1-101-005-00	CERAMIC 0.022MF 5% 50V
C12	1-101-005-00	CERAMIC 0.022MF 5% 50V
C51	1-164-056-11	CERAMIC 27PF 5% 50V
C52	1-164-056-11	CERAMIC 27PF 5% 50V
C53	1-161-379-00	CERAMIC 0.01MF 30% 16V
C54	1-161-379-00	CERAMIC 0.01MF 30% 16V
C55	1-161-379-00	CERAMIC 0.01MF 30% 16V
C2	1-124-477-11	ELECT 47MF 20% 25V
ANT1	1-501-420-11	(E,Saudi Arabia,Australian) ... ANTENNA TELESCOPIC .. PC BOARD, ANT
912	*1-634-753-11	(E,Saudi Arabia,Australian) ... MOUNTED PCB, TUNER AUDIO
911	*A-4334-434-A (AEP,UK) ... MOUNTED PCB, TUNER AUDIO	
910	Δ 1-506-409-11 (Saudi Arabia) ... ADAPTOR, CONVERSION	
908	Δ 1-526-565-00 (E) ... AC PLUG ADAPTOR	
907	Δ 1-574-804-11 (UK) ... MOUNTED PCB, TUNER AUDIO	
906	*1-634-748-11 PC BOARD, TRANSFORMER	
905	*A-4334-436-A (AEP,UK) ... MOUNTED PCB, POWER SUPPLY	
904	*A-4334-437-A (AEP,UK) ... MOUNTED PCB, POWER SUPPLY	
903	1-533-213-31 HOLDER, FUSE	
902	*1-634-752-11 PC BOARD, VOL	
901	*A-4334-433-A (AEP,UK) ... MOUNTED PCB, PANEL	



Note: The components identified by mark Δ or dotted line with mark ∇ are critical for safety. Replace only with part number specified.

No.	Part No.	Description	Remarks
908	Δ 1-526-565-00	(E) ... AC PLUG ADAPTOR	
910	Δ 1-506-409-11	(Saudi Arabia) ... ADAPTOR, CONVERSION	
911	*A-4334-434-A (AEP,UK) ... MOUNTED PCB, TUNER AUDIO		
912	*A-4334-452-A (E,Saudi Arabia,Australian) ... MOUNTED PCB, TUNER AUDIO		
912	*1-634-753-11 (E,Saudi Arabia,Australian) ... PC BOARD, ANT		
901	1-501-420-11 (E,Saudi Arabia,Australian) ... ANTENNA TELESCOPIC .. PC BOARD, ANT		
901	Δ 1-532-285-00 (E,Saudi Arabia,Australian) ... FUSE, TIME-LAG (T1.25A)		
902	Δ 1-532-285-00 FUSE, TIME-LAG (T1.25A)		
901	Δ 1-571-309-11 (E,Saudi Arabia,Australian) ... SWITCH 2-2-2 (VOLTAGE SELECTOR)		
1901	Δ 1-450-071-11 (E,Saudi Arabia,Australian) ... TRANSFORMER, POWER		
1901	Δ 1-450-072-11 (AEP,Italian) ... TRANSFORMER, POWER		
1901	Δ 1-450-073-11 (UK) ... TRANSFORMER, POWER		
181	*1-537-138-31 (AEP,UK,Italian) ... TERMINAL BOARD (ANTENNA)		
181	*1-537-238-21 (E,Saudi Arabia,Australian) ... TERMINAL BOARD (ANTENNA)		