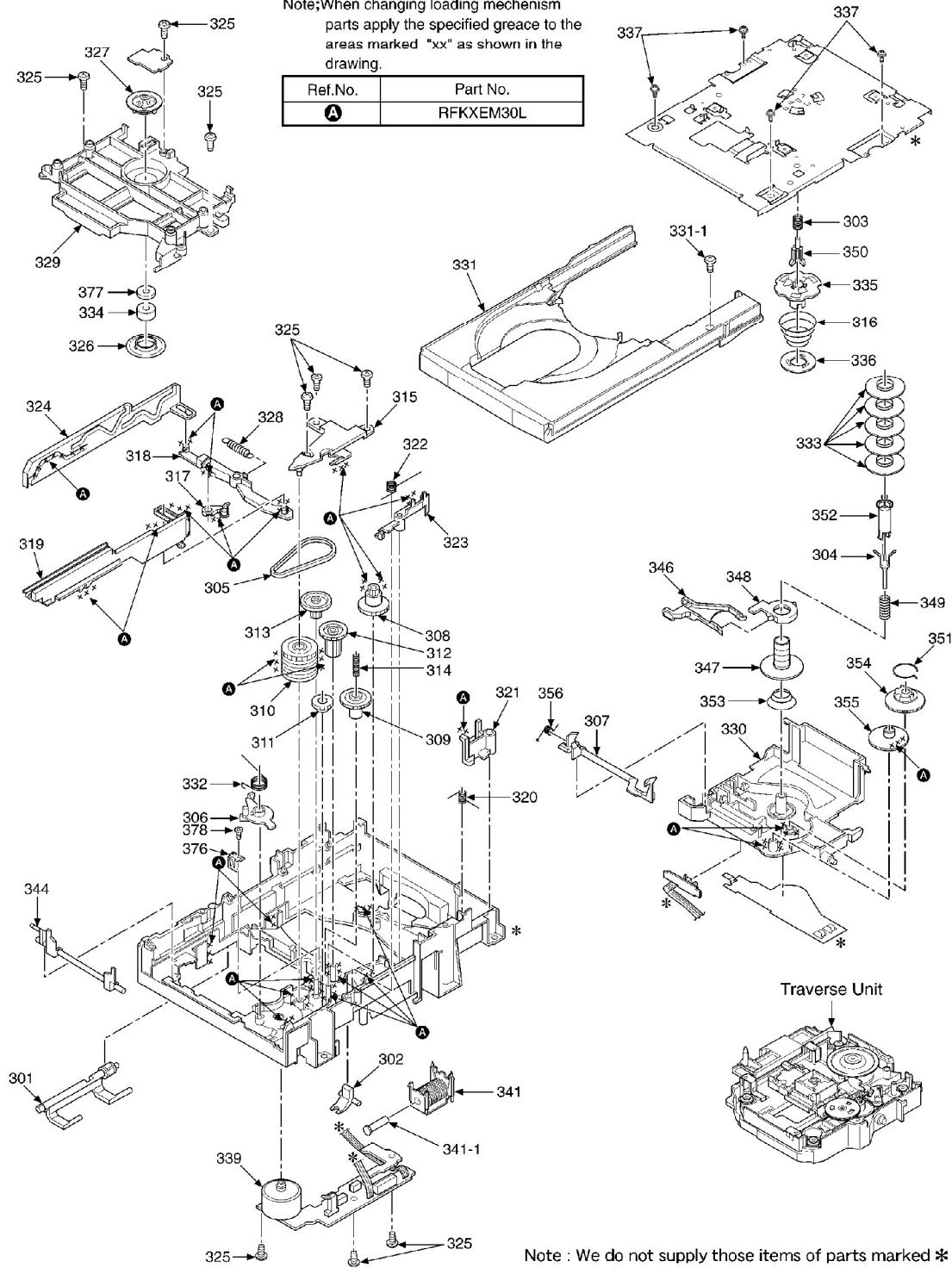


Note;When changing loading mechanism parts apply the specified grease to the areas marked "xx" as shown in the drawing.

Ref.No.	Part No.
A	RFKXEM30L



23. Traverse Mechanism Parts Location