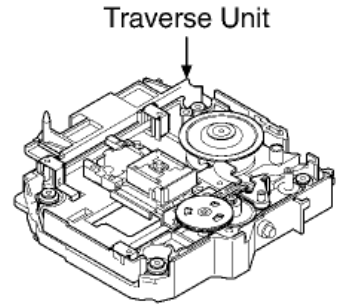
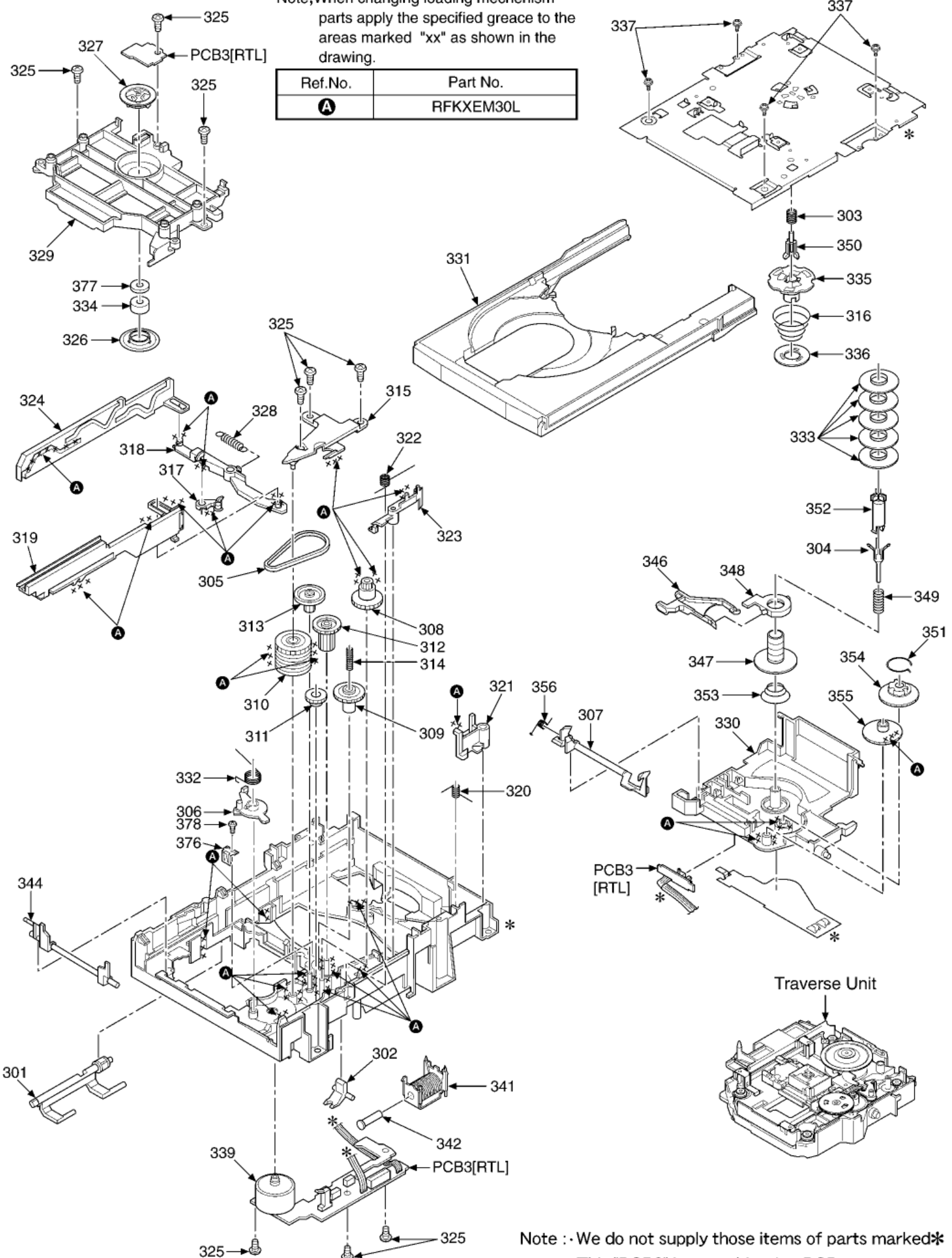


Note; When changing loading mechanism parts apply the specified grease to the areas marked "xx" as shown in the drawing.

Ref.No.	Part No.
A	RFKXEM30L



Note : We do not supply those items of parts marked* .
 · This "PCB3" is a combination PCB.