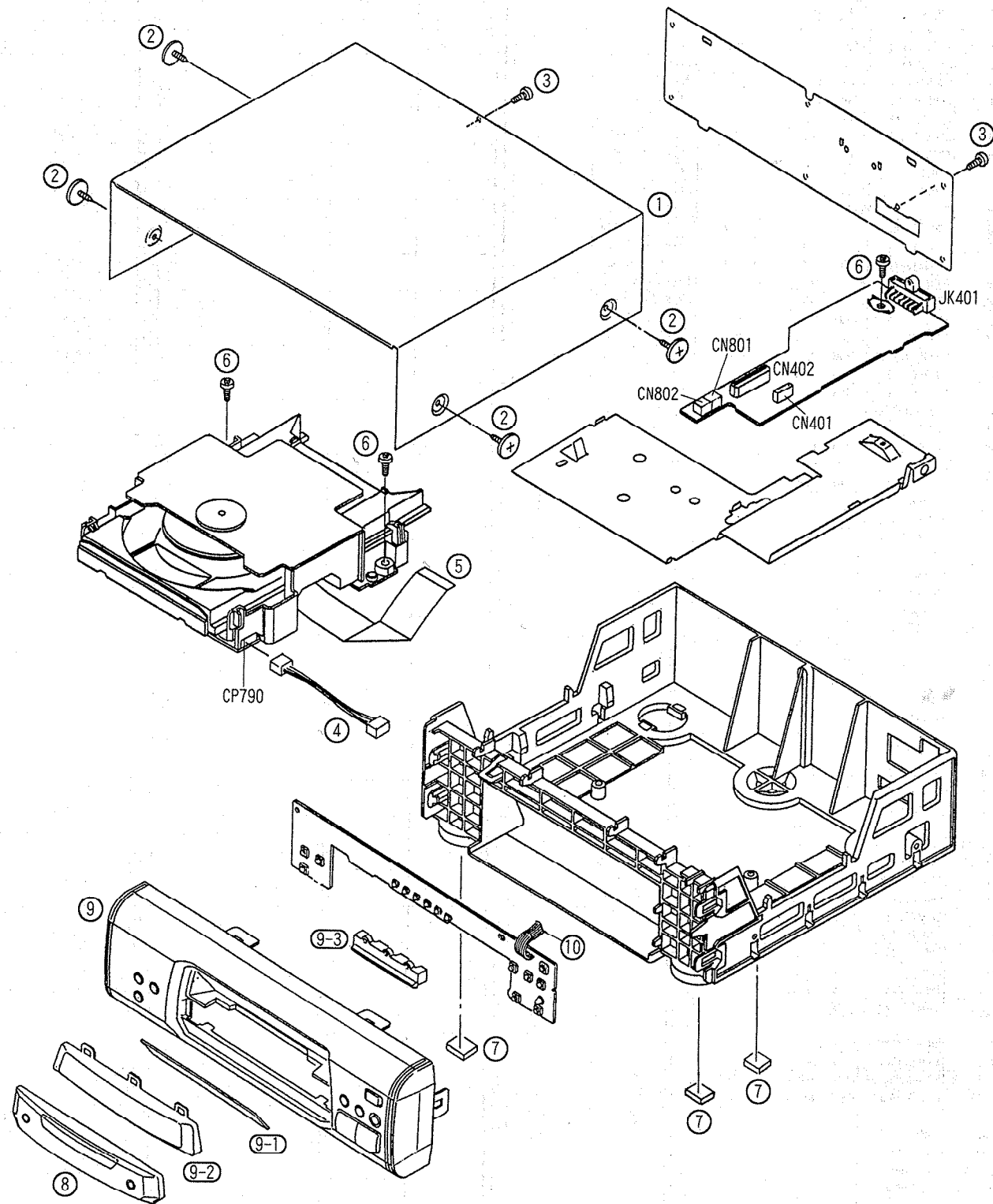


■ Cabinet Parts Location



■ Loading Unit Parts Location

Note:
When changing mechanism parts, apply the specified grease to areas marked "x" as shown in the drawing.

Ref. No.	Part No.
A	RFKXPG671

