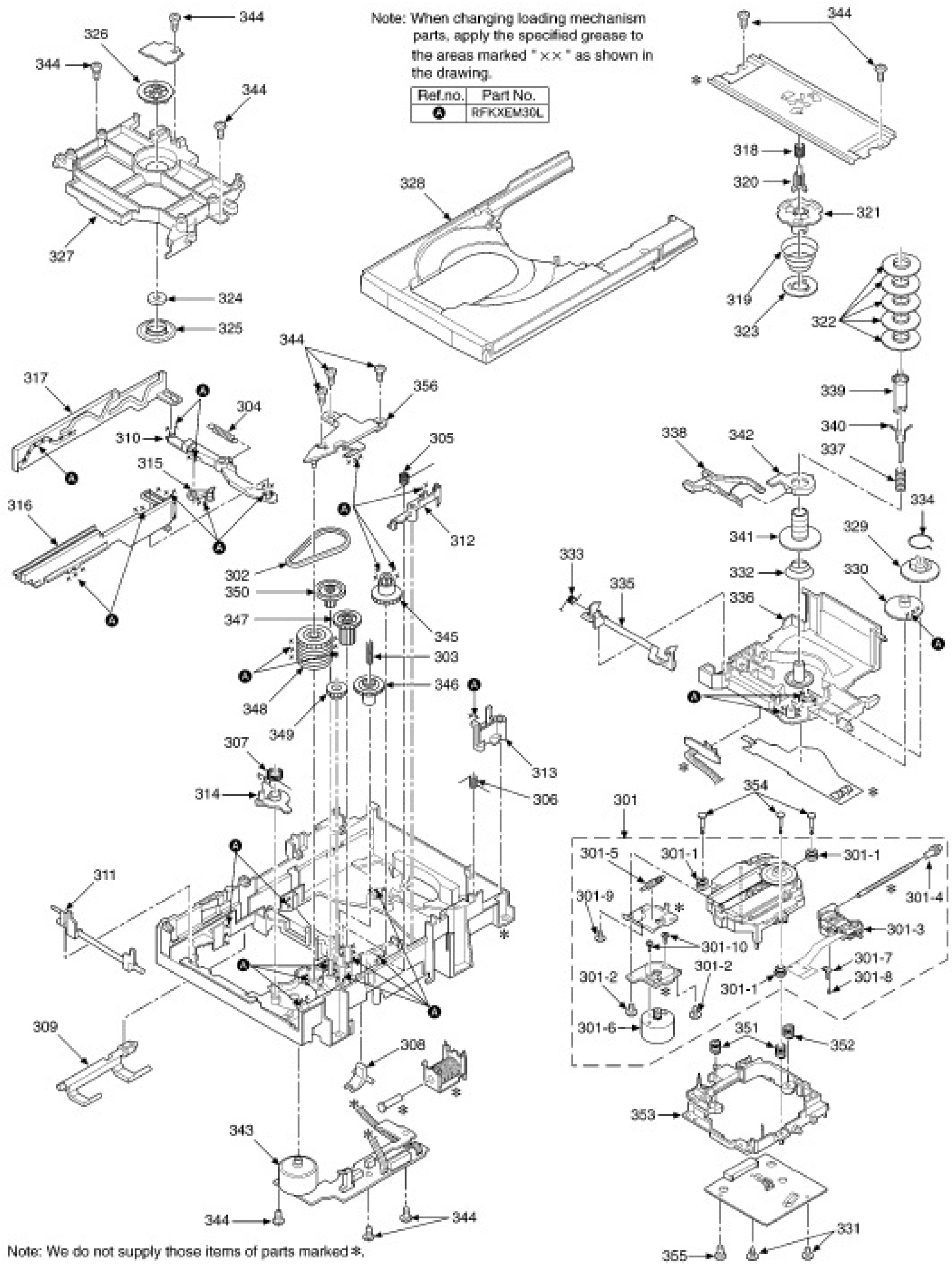


Note: When changing loading mechanism parts, apply the specified grease to the areas marked "x x" as shown in the drawing.

Ref.no.	Part No.
Ⓐ	RFKXEM30L



Note: We do not supply those items of parts marked \*.