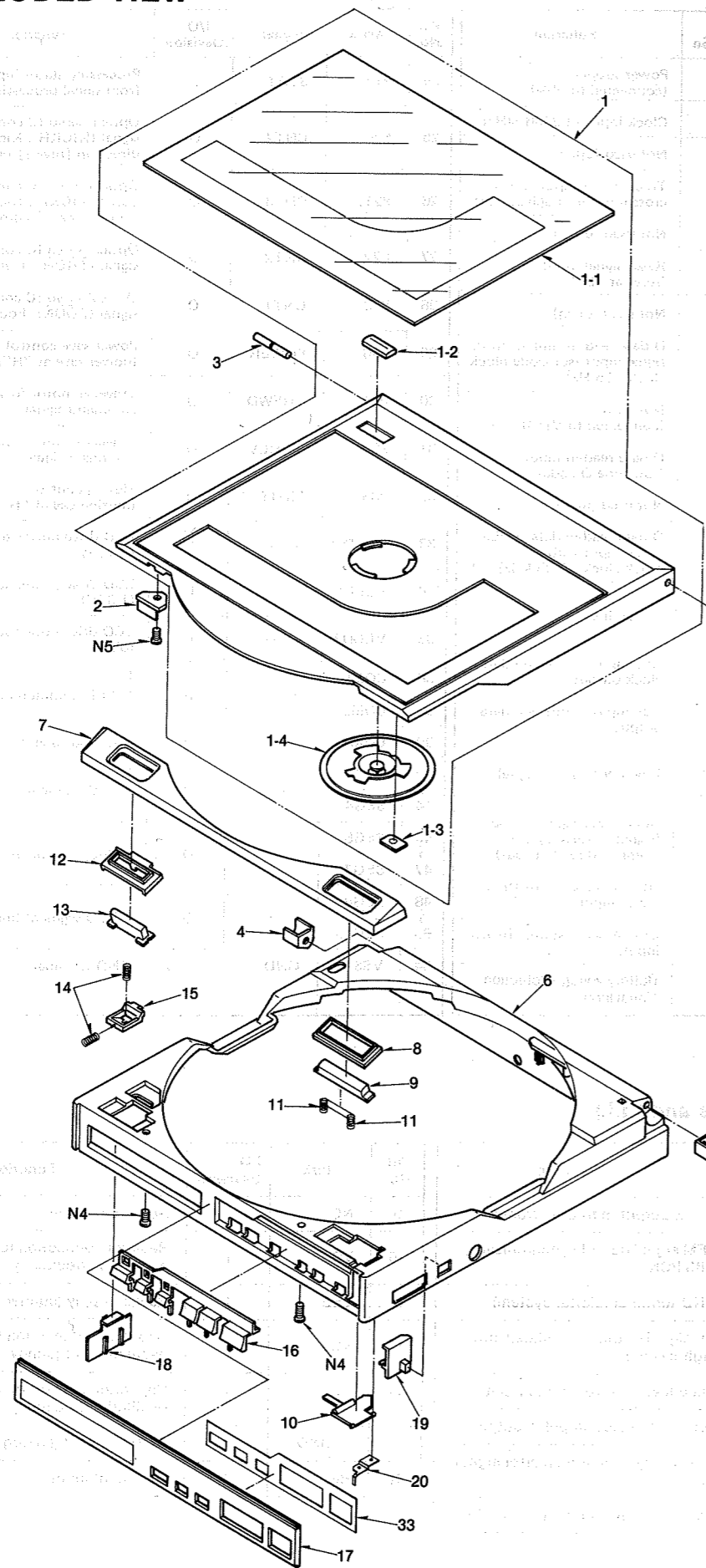
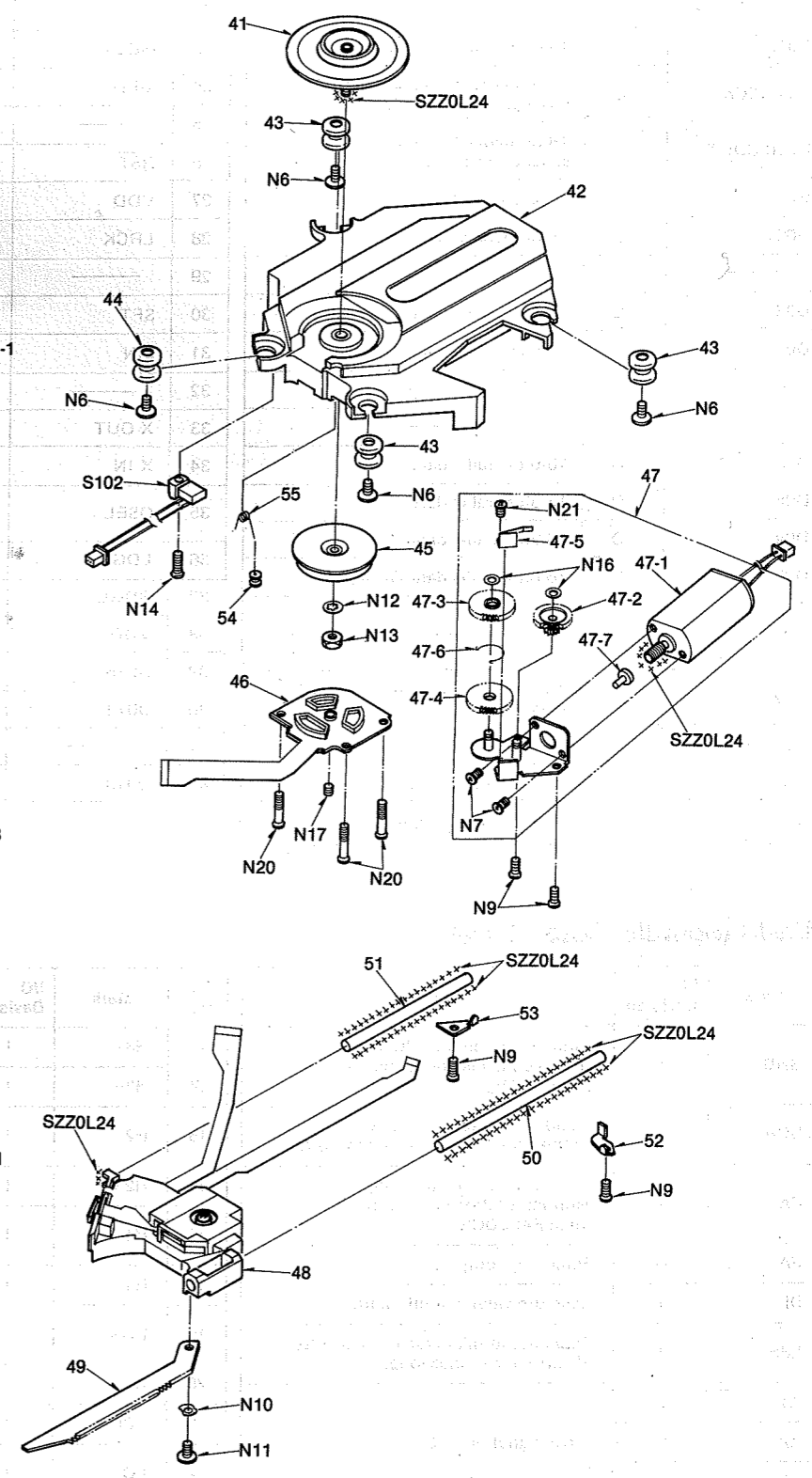
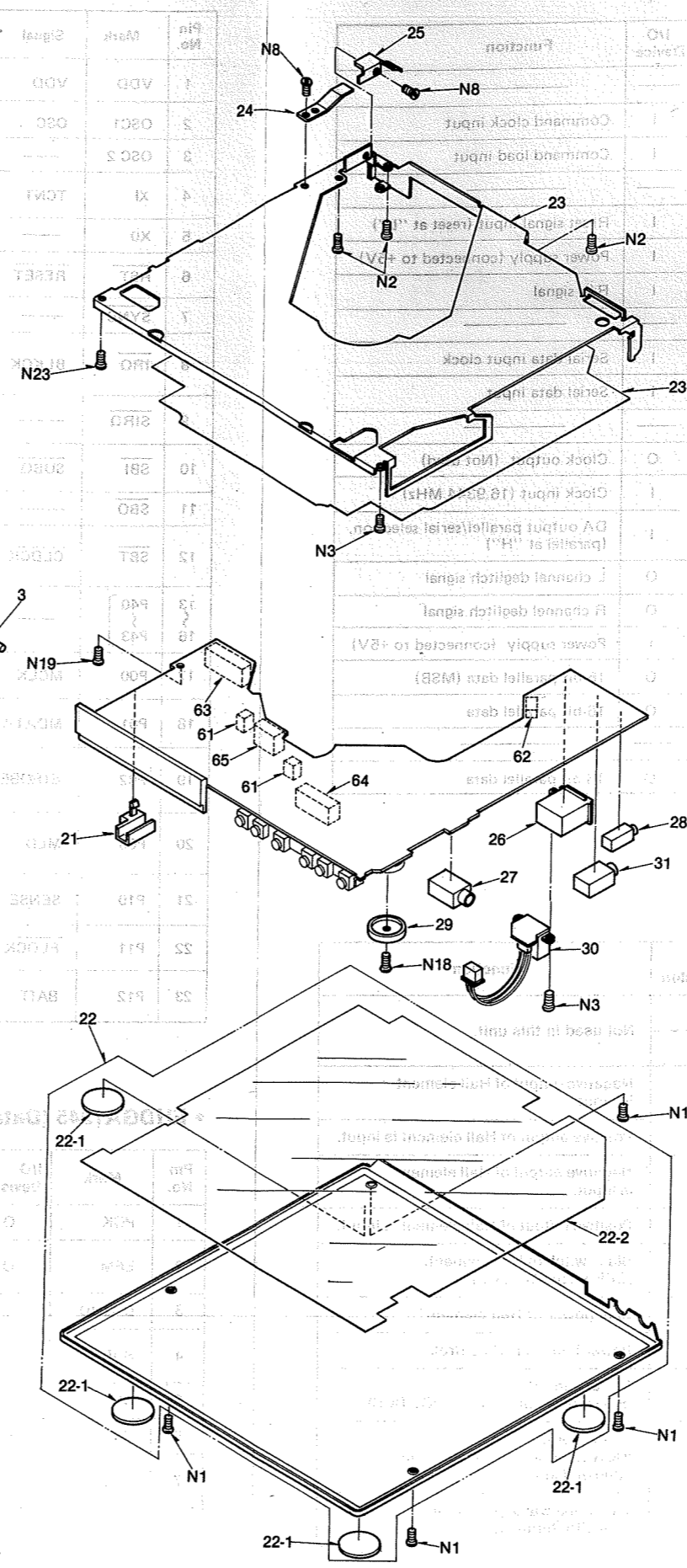


EXPLODED VIEW



MN15A8P00 (System Control)

Pin No.	Mark	Signal	Function
1	VDD	VDD	Power supply
2	OSC1	OSC1	Command clock input
3	OSC2	OSC2	Command load input
4	X1	TOWT	Reset
5	X0	RES	Reset
6	RES	RES	Reset
7	RES	RES	Reset
8	RES	RES	Reset
9	RES	RES	Reset
10	S81	SUBD	Subdata
11	S80	SUBD	Subdata
12	S8T	CLCK	Clock
13	P40	DATA	Data
14	P43	DATA	Data
15	P4B	DATA	Data
16	P4C	DATA	Data
17	P4D	DATA	Data
18	P4E	DATA	Data
19	P4F	DATA	Data
20	P4G	DATA	Data
21	P4H	DATA	Data
22	P4I	DATA	Data
23	P4J	DATA	Data
24	P4K	DATA	Data
25	P4L	DATA	Data
26	P4M	DATA	Data
27	P4N	DATA	Data
28	P4O	DATA	Data
29	P4P	DATA	Data
30	P4Q	DATA	Data
31	P4R	DATA	Data
32	P4S	DATA	Data
33	P4T	DATA	Data



Note: When changing mechanism parts, apply the specified grease to the areas marked "x x" shown in the drawing.