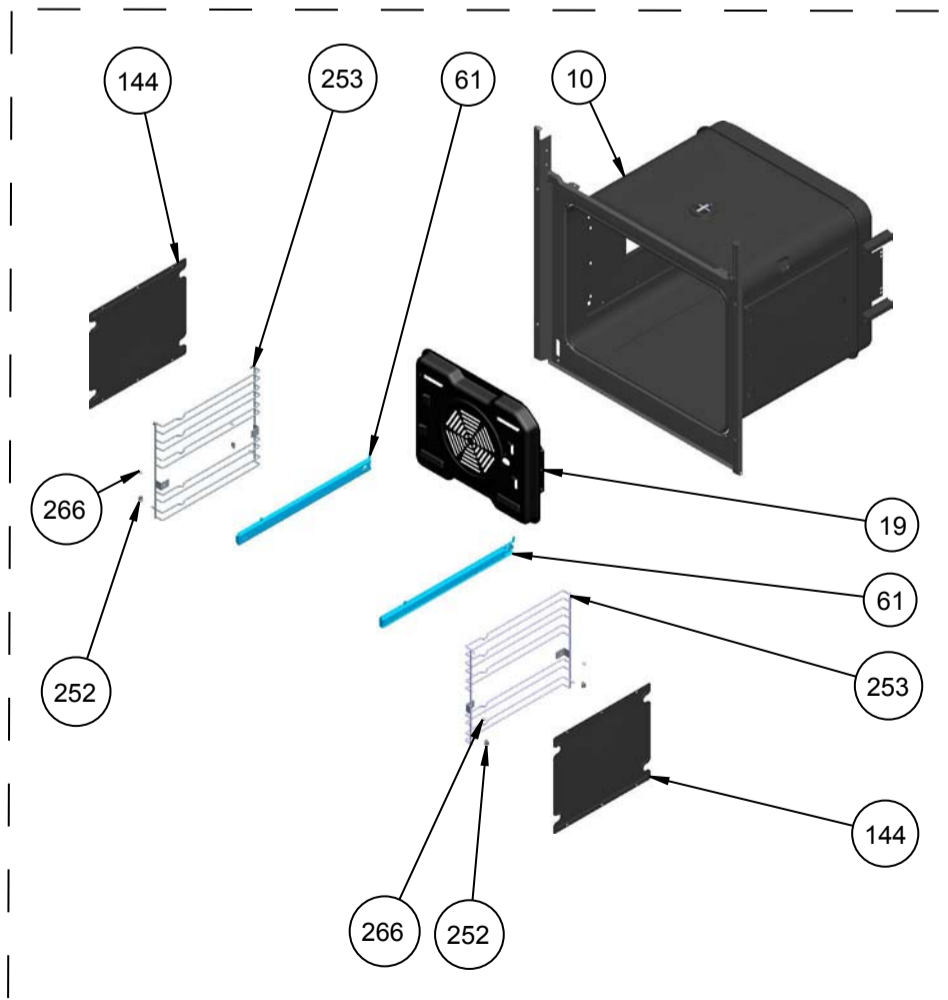
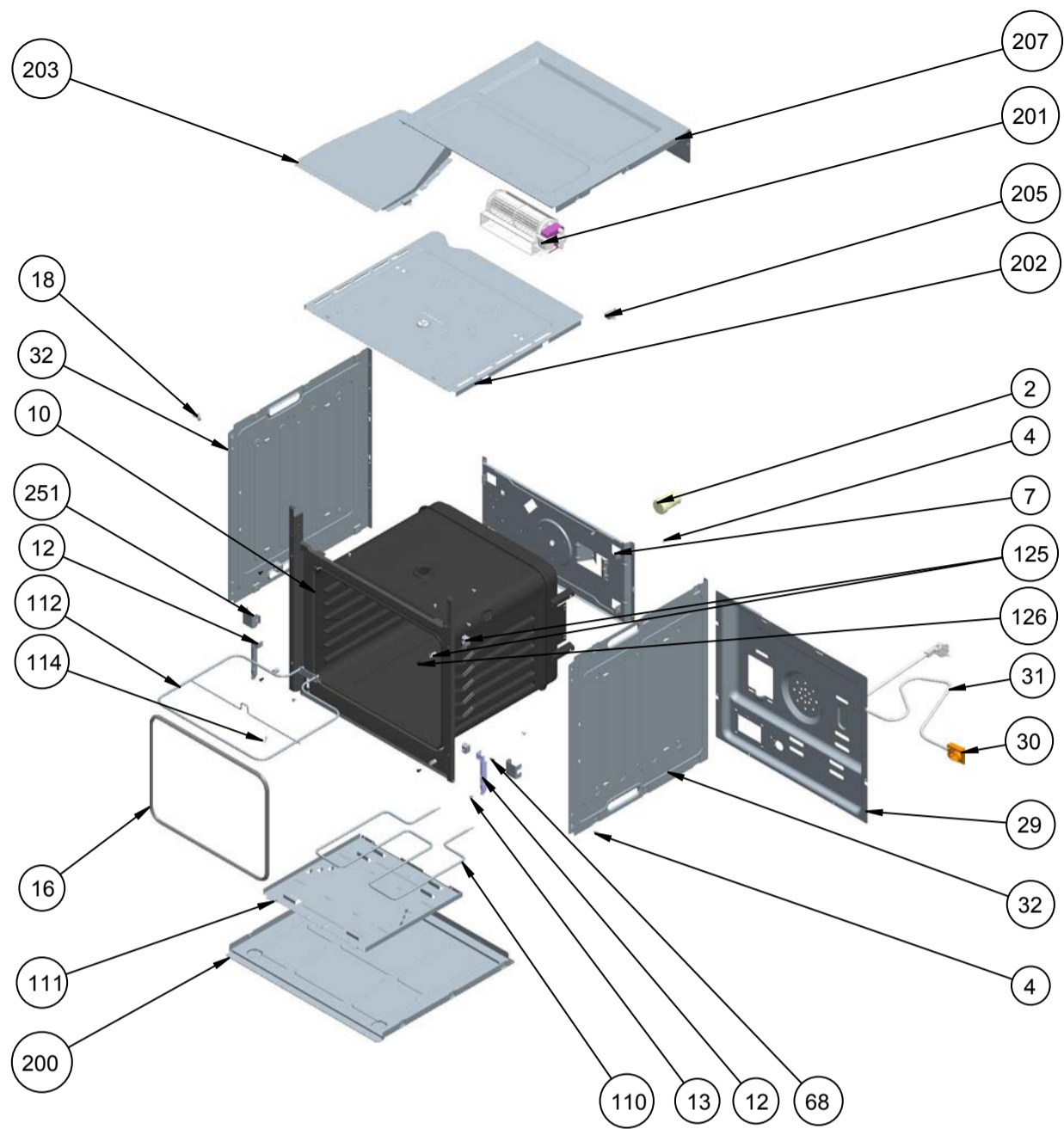
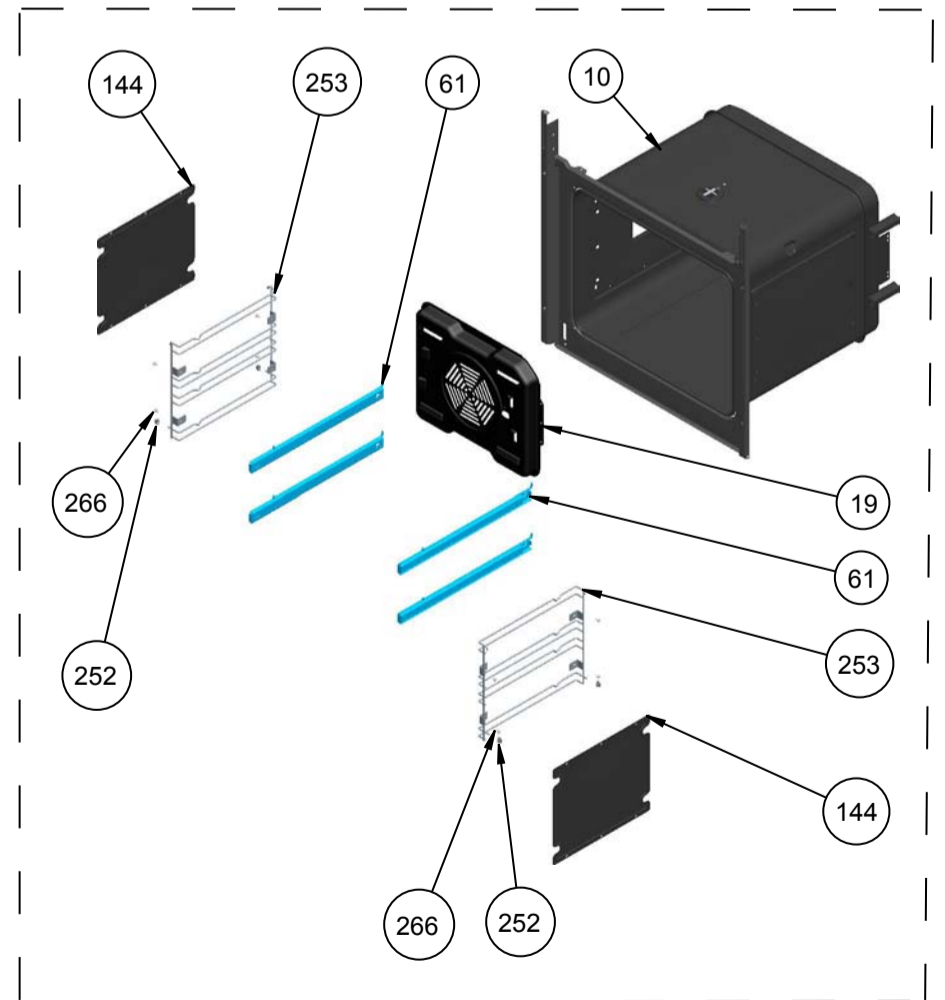


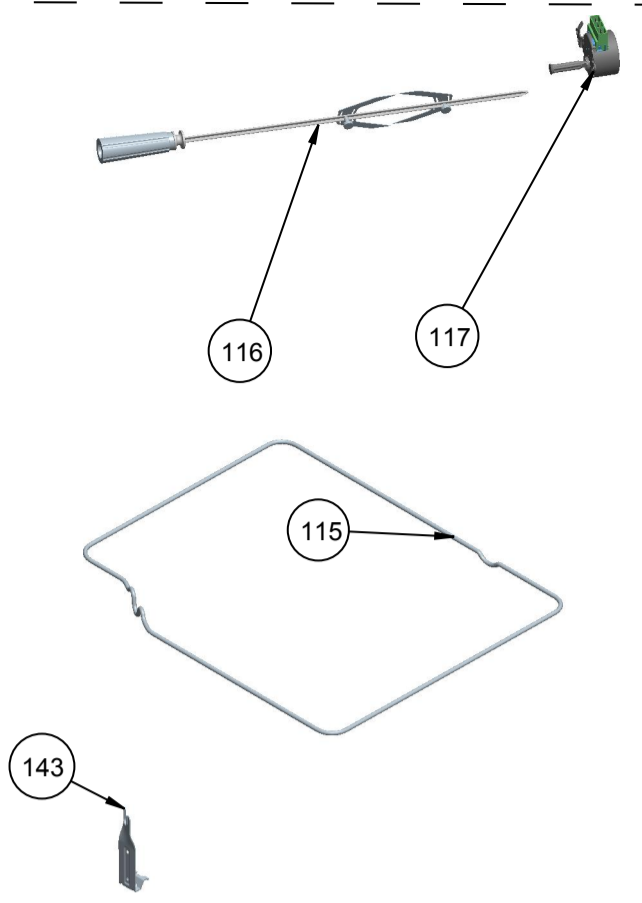
WIRE SHELF CAVITY ASSEMBLY WITH / WITHOUT CATALYTIC PANEL (OPTIONAL)



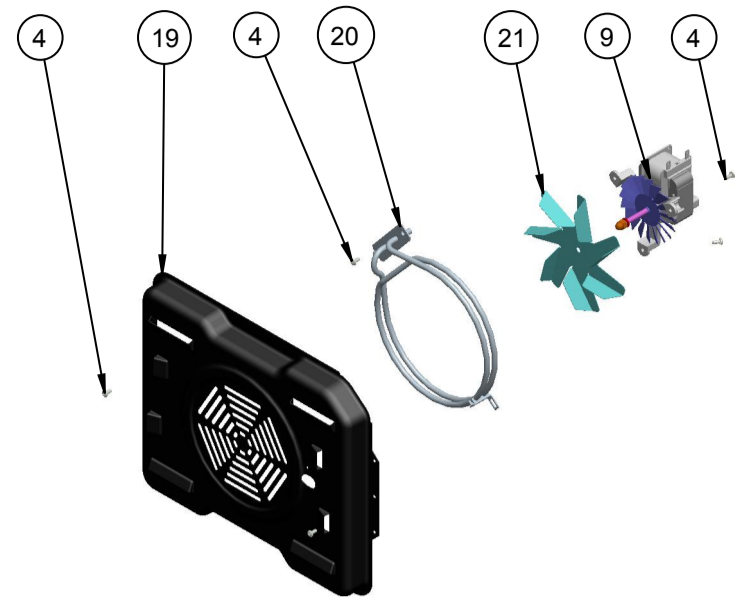
WIRE SHELF CAVITY ASSEMBLY WITH / WITHOUT CATALYTIC PANEL
OPTIONAL : TELESCOPIC RAIL (R / L)



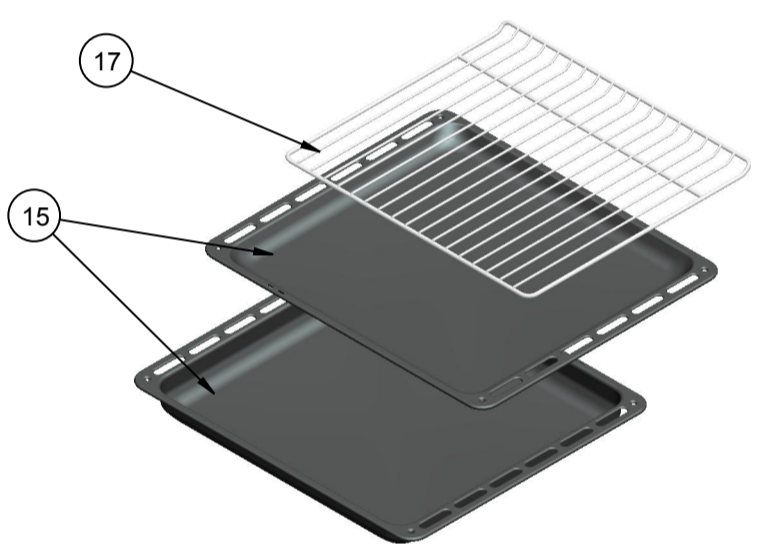
WIRE SHELF CAVITY ASSEMBLY WITH / WITHOUT CATALYTIC PANEL
OPTIONAL : DOUBLE TELESCOPIC RAILS (R / L)



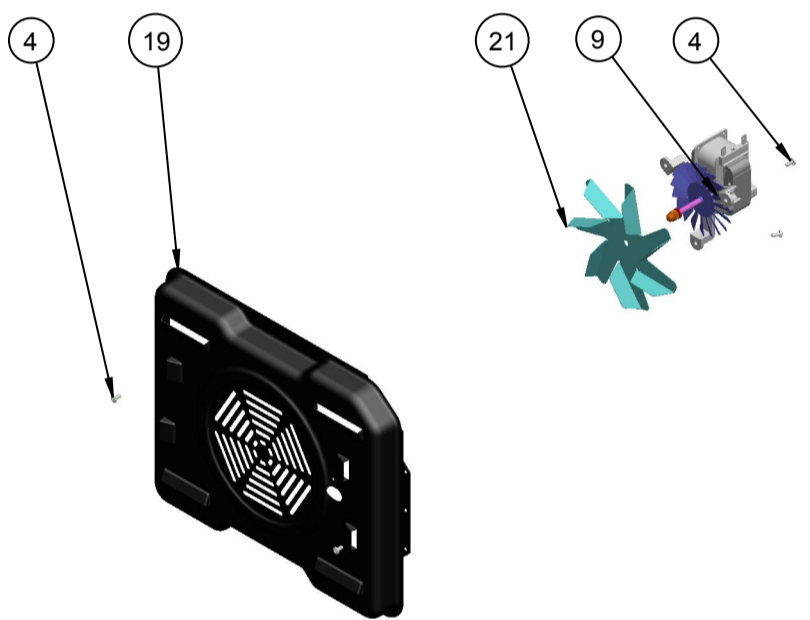
TURNSPIT(OPTIONAL)



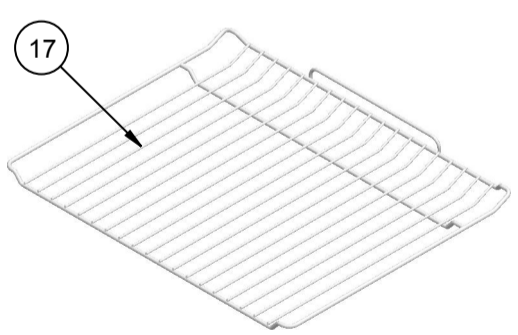
RING HEATING ELEMENT WITH FAN (OPTIONAL)



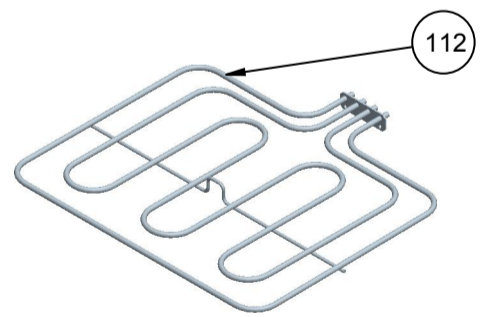
TRAYS & GRID (OPTIONAL)



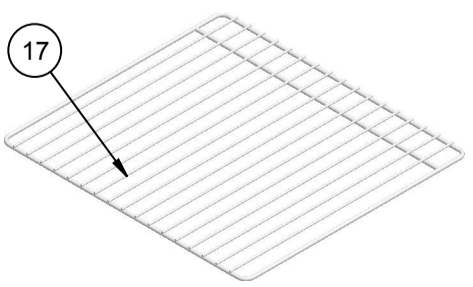
(FAN COVER/ FAN(6 WINGS) / FAN MOTOR) (OPTIONAL)



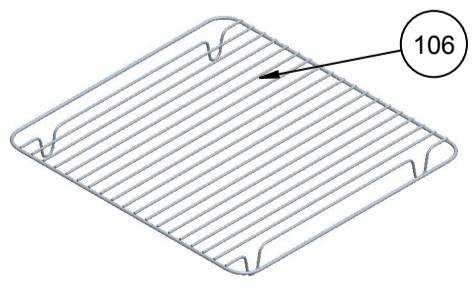
LOCKED



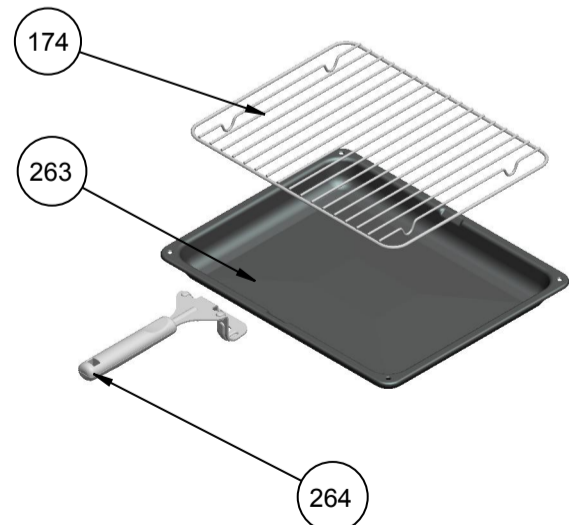
TOP AND GRILL HEATING ELEMENT (OPTIONAL)



W. TELESCOPIC RAIL



DEEP TRAY GRID (OPTIONAL)



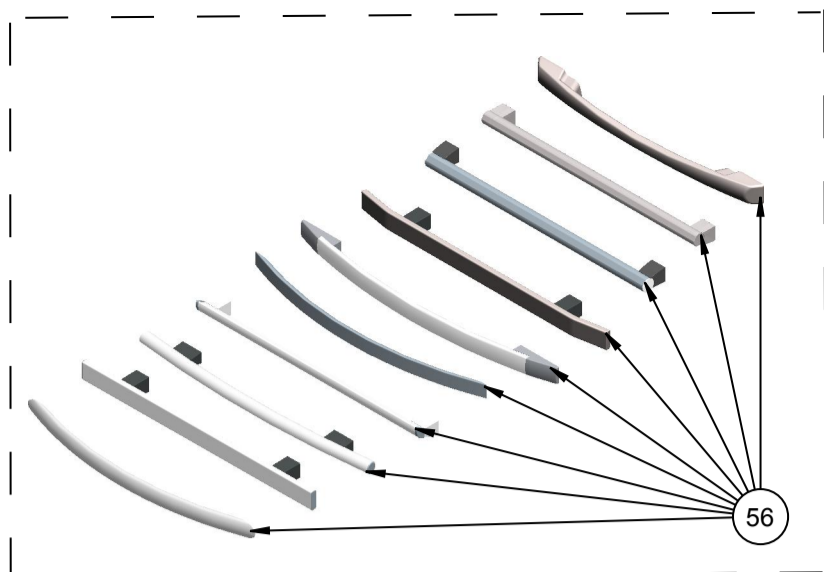
TRAY SET FOR GRID (POSITION NO : 265) (OPTIONAL)

GRID (OPTIONAL)

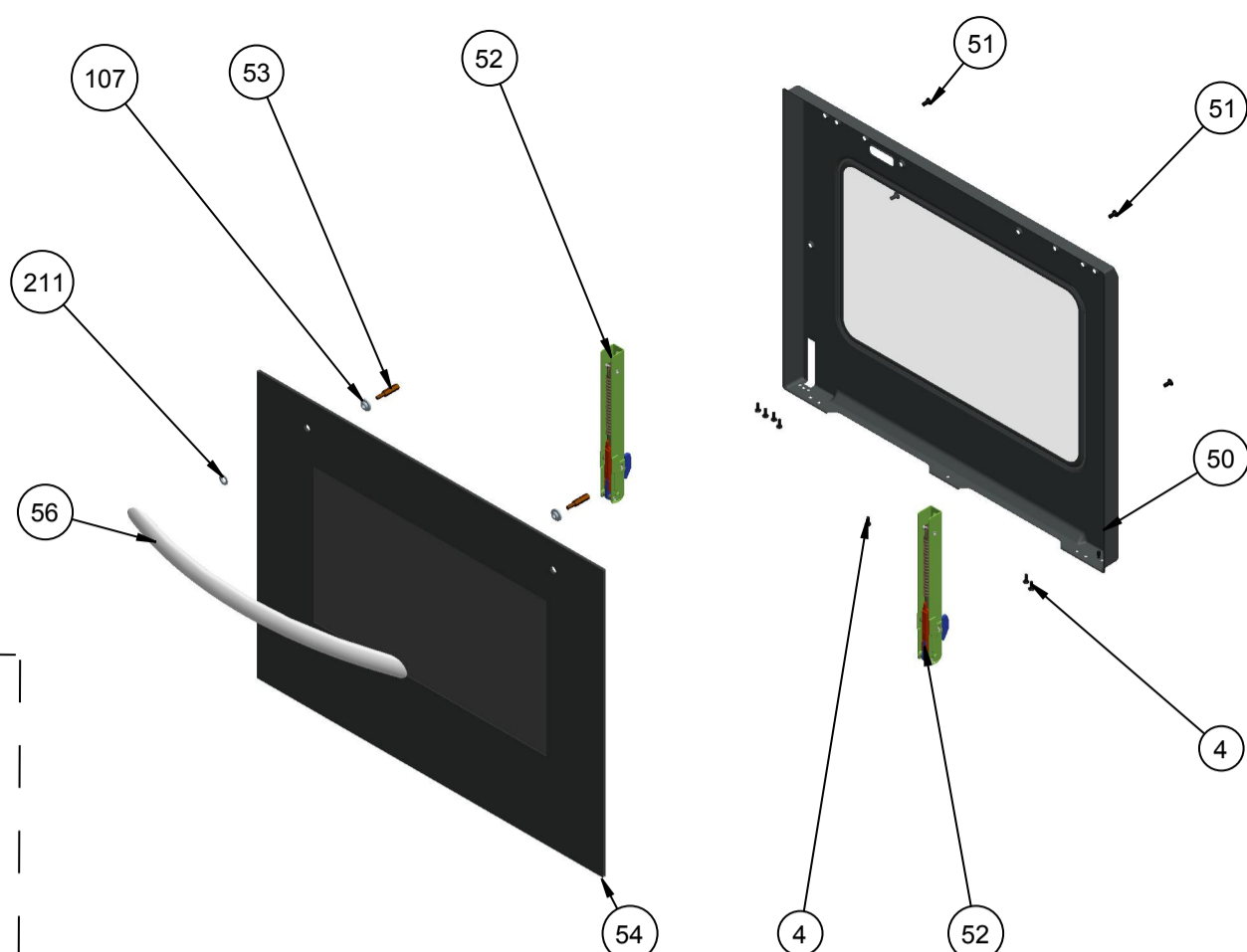
BUILT-IN OVEN PART LIST

| POSITION NUMBER | PART NAME |
|------------------------|--|
| 2 | OVEN LIGHT (230V) |
| 4 | SCREW (3.9*9.5) |
| 7 | REAR INSULATION COVER (BUILT-IN) |
| 9 | FAN MOTOR 230V |
| 10 | CAVITY (BUILT-IN, GRILL, TRB, FAN, TURNSPIT) |
| 12 | HINGE COUNTERPART (RIGHT / LEFT) |
| 13 | SCREW (M4*8, BLACK) |
| 15 | TRAY (DEEP / SHALLOW) |
| 16 | OVEN DOOR GASKET |
| 17 | GRID (LOCKED, W. TELESCOPIC RAIL) |
| 18 | THERMOSTAT BULB BRACKET |
| 19 | FAN COVER |
| 20 | RING TUBULAR HEATING ELEMENT |
| 21 | FAN (6 WINGS) |
| 29 | REAR PANEL |
| 30 | TERMINAL BOX |
| 31 | POWER CORD |
| 32 | SIDE PANEL (RIGHT-LEFT, BUILT-IN) |
| 61 | TELESCOPIC RAIL (RIGHT, LEFT) |
| 68 | SCREW (3.9*9.5, BLUNT TYPE) |
| 106 | DEEP TRAY GRID 60*60 |
| 110 | BOTTOM HEATING ELEMENT |
| 111 | BOTTOM HEATING ELEMENT HOLDER |
| 112 | TOP AND GRILL HEATING ELEMENT |
| 114 | TOP HEATING ELEMENT BULB BRACKET |
| 115 | TURNSPIT GRILL |
| 116 | TURNSPIT SKEWER |
| 117 | TURNSPIT MOTOR 240V - 400V |
| 125 | SPACER (SQUARE & ROUND) |
| 126 | SCREW (3.5*25, BLACK) |
| 143 | TURNSPIT HOUSE |
| 144 | SHELF (RIGHT-LEFT, CATALYTIC ENAMELLED) |
| 174 | TRAY GRID |
| 251 | SIDE PANEL BRACKET (BUILT-IN) |
| 200 | BOTTOM PANEL (BUILT-IN) |
| 201 | COOLING MOTOR |
| 202 | TOP INSULATION COVER (BUILT-IN) |
| 203 | COOLING FAN DUCT |
| 205 | LIMIT THERMOSTAT |
| 207 | TOP PANEL (BUILT-IN) |
| 252 | WIRE SHELF FIXING CLIP |
| 253 | WIRE SHELF (RIGHT, LEFT) |
| 255 | WIRE SHELF FIXING SCREW |
| 263 | GRILL TRAY (BLACK) |
| 264 | TRAY HOLDER |
| 265 | TRAY SET (SMALL, BLACK) |
| 266 | SCREW (M4*4T, STAINLESS) |

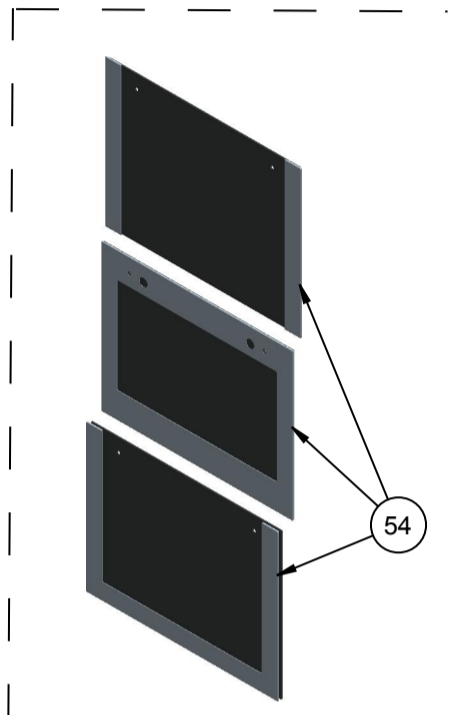
OUR EXPLODED VIEWS ARE GENERATED : INCLUDES ALL OPTIONS



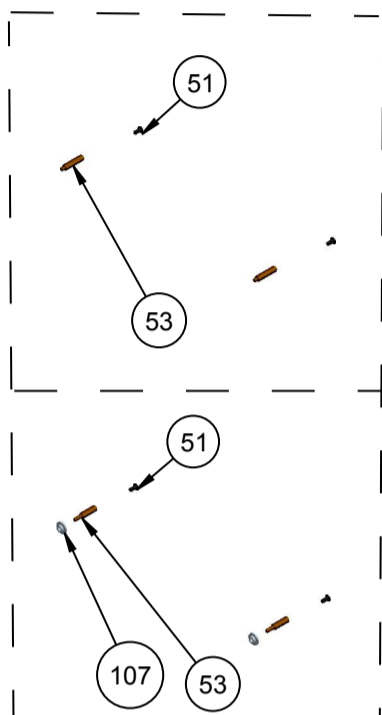
OVEN DOOR HANDLES (OPTIONAL)



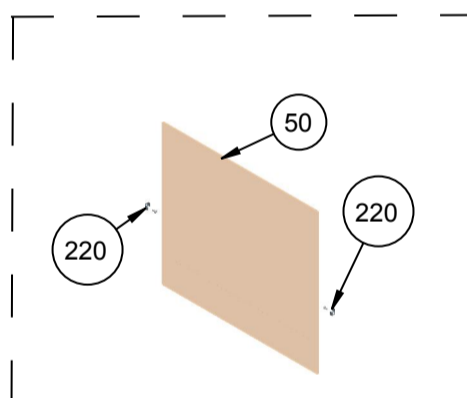
OVEN DOOR ASSEMBLY (OUTER & INNER)
(POSITION NO 378)



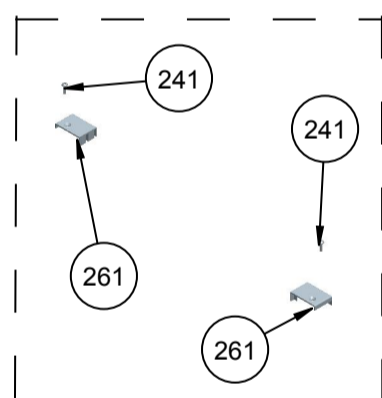
OVEN DOOR OUTER GLASS
ASSEMBLY WITH
INOX ADD-ON TYPES
(OPTIONAL)



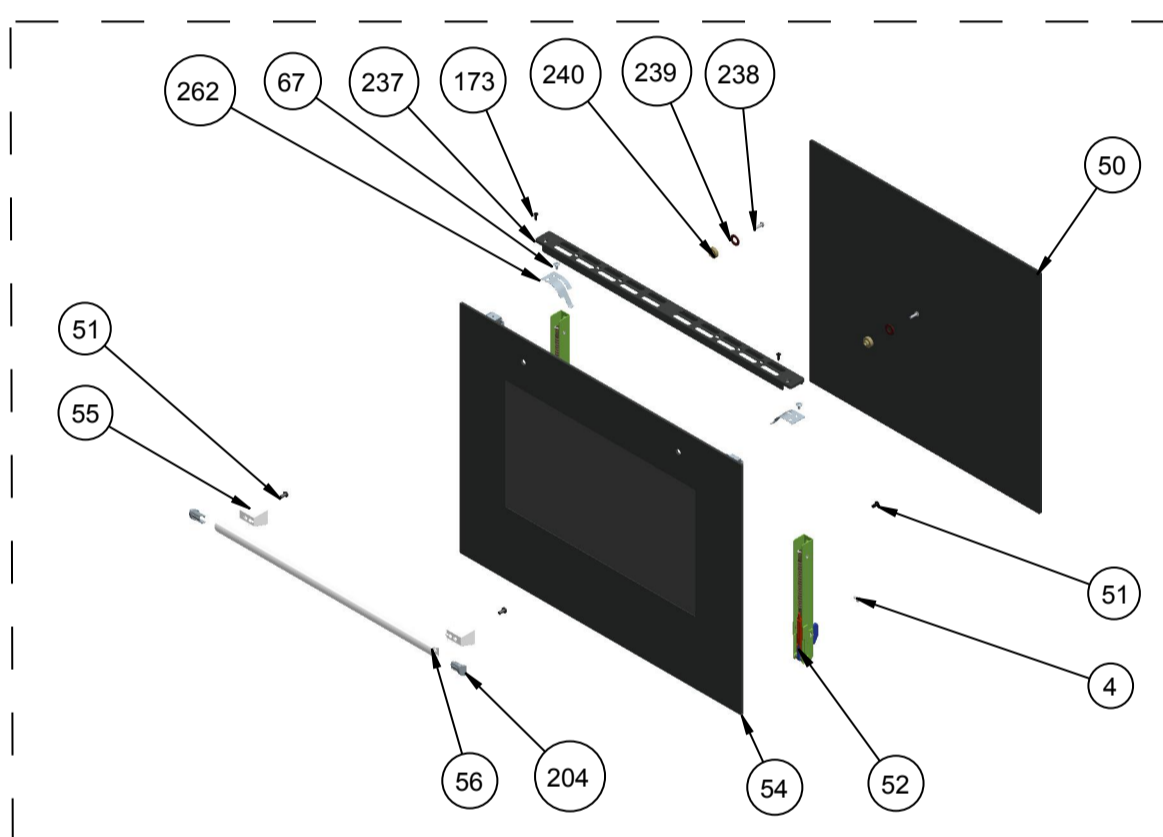
HANDLE ASSEMBLY GROUP
(POSITION NO 49)
(OPTIONAL)



THIRD INNER GLASS
(OPTIONAL)



OVEN DOOR TOP PANEL PARTS
(OPTIONAL)



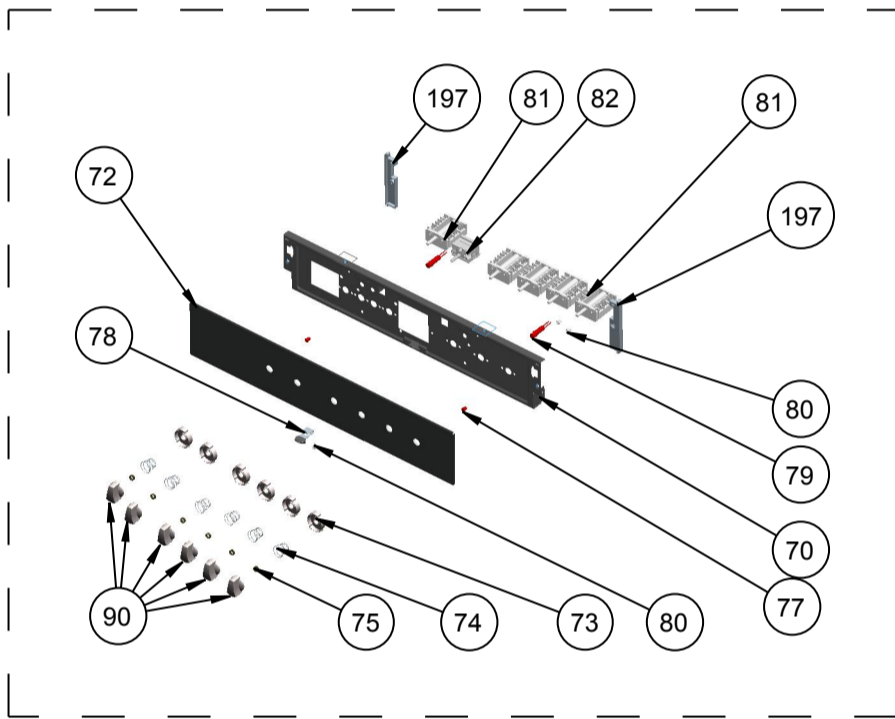
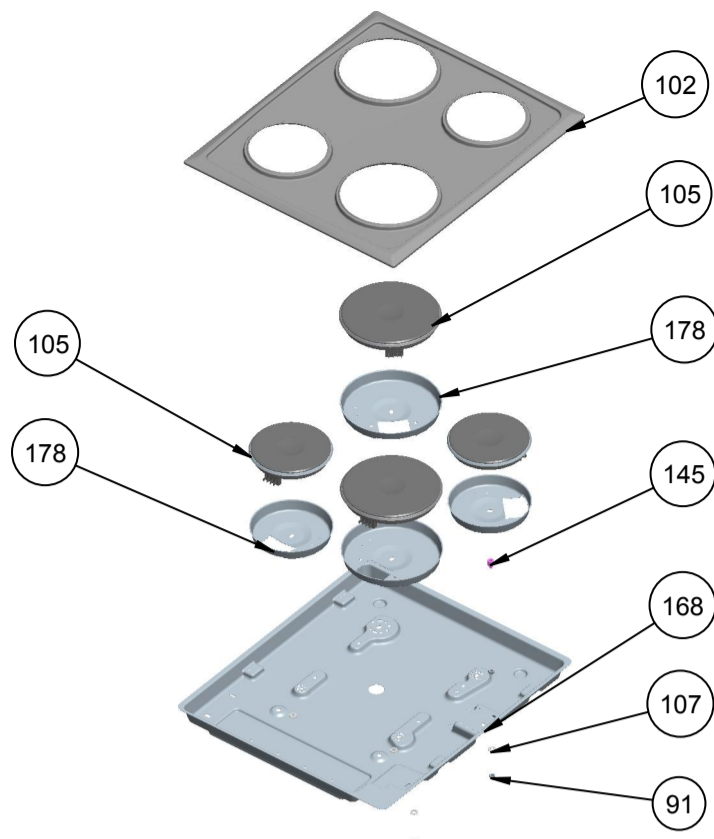
FLAT OVEN DOOR WITH FULL GLASS STRUCTURE (POSITION NO 377)
(OPTIONAL)

OVEN DOOR OUTER GLASS ASSEMBLY PARTS

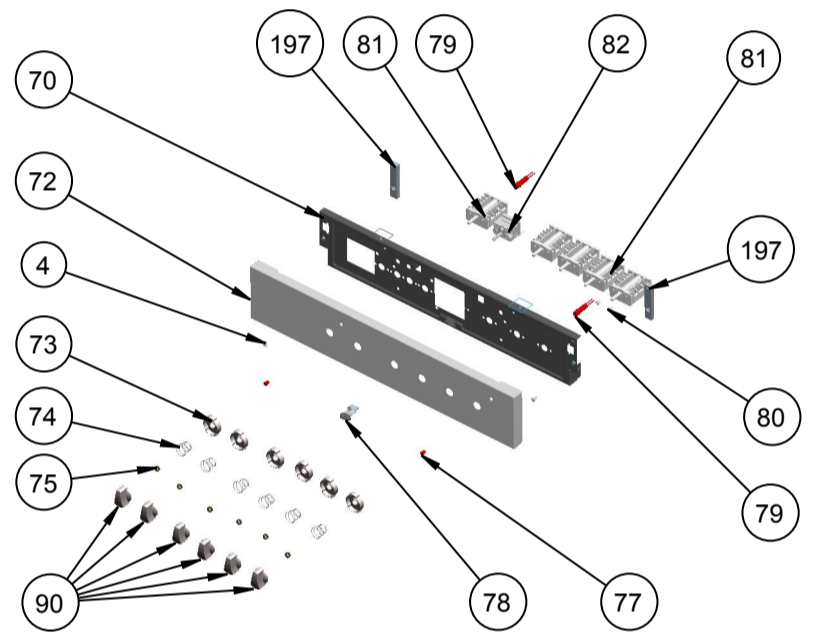
| POSITION NUMBER | PART NAME |
|-----------------|---|
| 4 | SCREW (KNURLED, 3.9*9.5, BLACK) |
| 49 | HANDLE ASSEMBLY GROUP |
| 50 | INNER GLASS ASSEMBLY |
| 51 | SCREW (CIRCULAR-HEAD, M5*10) SCREW (COUNTERSUNK-HEAD, M5*10, BLACK) |
| 52 | OVEN DOOR HINGE |
| 53 | OVEN DOOR HANDLE ASSEMBLY STUD |
| 54 | OUTER GLASS ASSEMBLY |
| 55 | HANDLE BRACKET / BRACKET WITH CAP |
| 56 | HANDLE BODY (ELLIPSE ARC, FLAT QUADRANGLE, ARC TUBE, FLAT SLICE, D PROFILE ARC, ARC QUADRANGLE, 3D QUADRANGLE, TRIO, METALUX, HANDLE WITHOUT FAN) |
| 67 | SCREW (3.9*9.5, SLIM HEAD) |
| 107 | GRADUAL WASHER |
| 173 | SCREW (COUNTERSUNK-HEAD, 3.9*13, BLACK) |
| 204 | HANDLE TAP |
| 211 | HANDLE ASSEMBLY GASKET |
| 220 | INTERVAL FRONT PANEL SPRING |
| 237 | DOUBLE GLAZED OVEN DOOR METAL TRIM |
| 238 | SCREW (COUNTERSUNK-HEAD, M5*18, BLACK) |
| 239 | HANDLE FIXING BUSH |
| 240 | SILICONE WASHER |
| 241 | SCREW (COUNTERSUNK-HEAD, 3.9*22, BLACK) |
| 261 | TOP PANEL PROFILES (RIGHT / LEFT) |
| 262 | REMOVABLE INNER GLASS SPRING (RIGHT / LEFT) |
| 377 | FLAT PROF. COMPLETE DOOR |
| 378 | SOLID TYPE OVEN DOOR ASSEMBLY |

OUR EXPLODED VIEWS ARE GENERATED : INCLUDES ALL OPTIONS

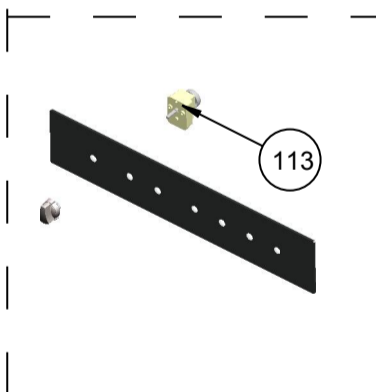
*Metal frames on outer glass, handle types, handle taps and brackets are optional. Your cooker may be different cosmetically.



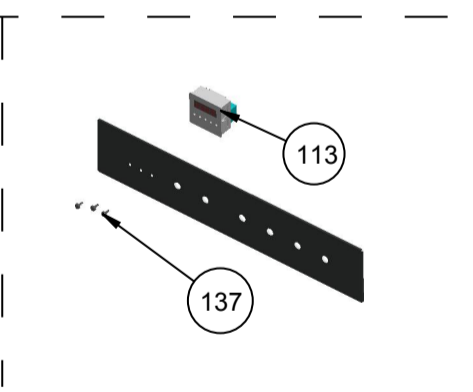
GLASS CONTROL PANEL ASSEMBLY (OPTIONAL)



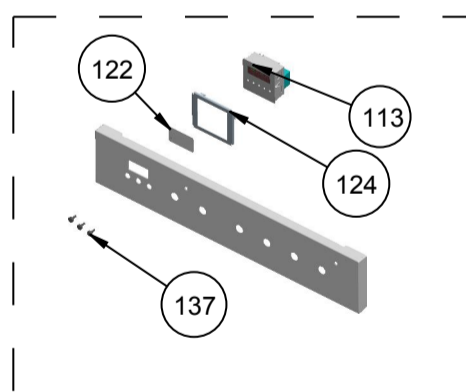
METAL CONTROL PANEL ASSEMBLY



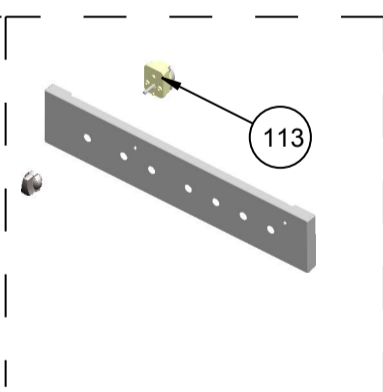
MECHANIC TIMER (OPTIONAL)



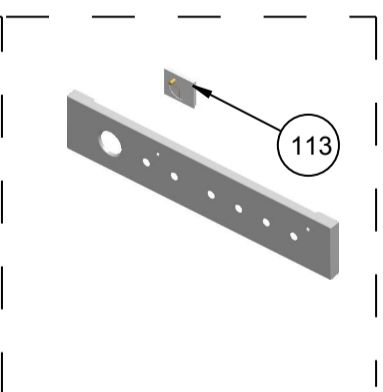
DIGITAL TIMER (OPTIONAL)



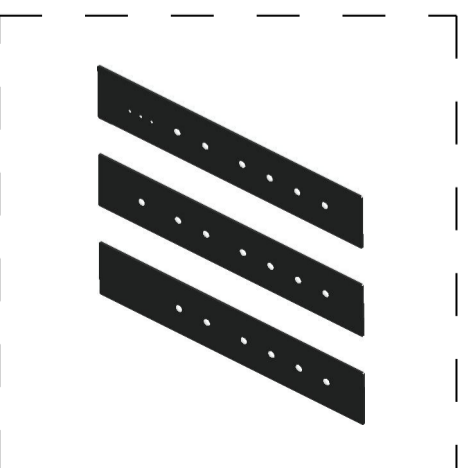
DIGITAL TIMER (OPTIONAL)



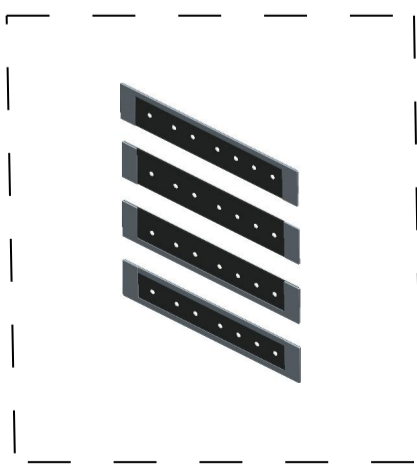
MECHANIC TIMER (OPTIONAL)



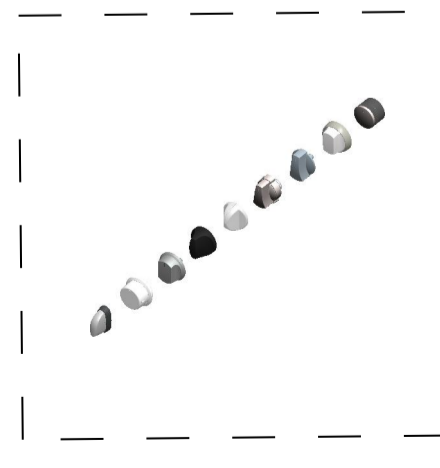
ANALOG TIMER (OPTIONAL)



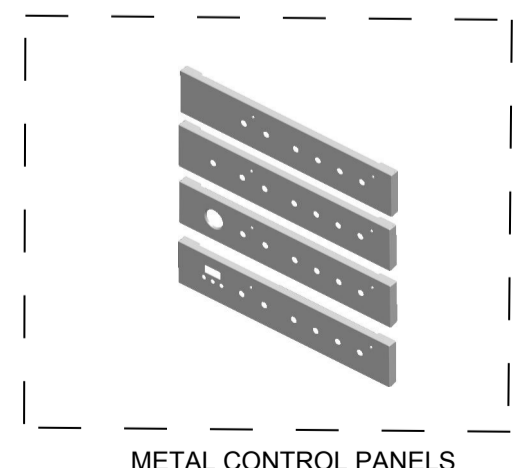
GLASS CONTROL PANELS (OPTIONAL)



GLASS CONTROL PANELS WITH INOX ADD-ONS (OPTIONAL)



KNOBS (OPTIONAL)

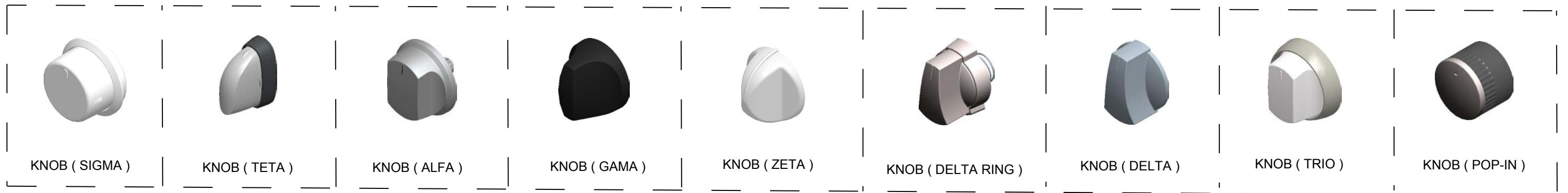


METAL CONTROL PANELS (OPTIONAL)

CONTROL PANEL & HOB ASSEMBLY PARTS

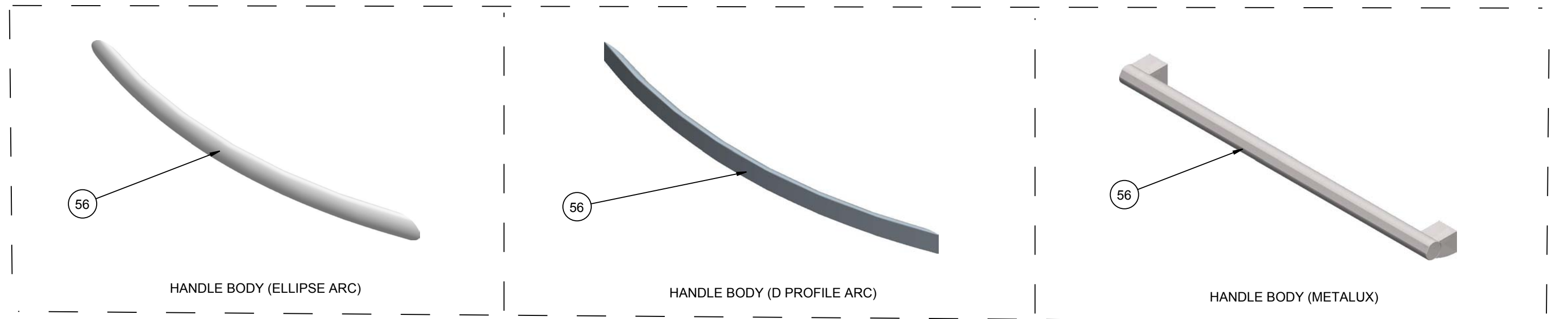
| POSITION NUMBER | PART NAME |
|---|--------------------------------------|
| 4 | SCREW (3.9*9.5) |
| 70 | INNER PANEL |
| 72 | FRONT PANEL |
| 73 | KNOB RING |
| 74 | KNOB SPRING |
| 75 | KNOB SEGMENT |
| 77 | SIGNAL LAMP LENS |
| 78 | CHILD LOCK |
| 79 | SIGNAL LAMP BODY |
| 80 | SCREW (M4*6) |
| 81 | FUNCTION SELECTOR SWITCH |
| 82 | CAPILLARY THERMOSTAT |
| 90 | KNOB - ELECTRICAL |
| 91 | NUT (M6) |
| 102 | COOKTOP (HOB,POLY) |
| 105 | HOTPLATE (Ø145 / Ø180) |
| 107 | WASHER Ø6 |
| 113 | TIMER (MECHANIC / DIGITAL / ANALOG) |
| 122 | DIGITAL TIMER LENS (BUILT-IN / FS) |
| 124 | TIMER HOLDER (ONLY FOR METAL PANEL) |
| 137 | TIMER BUTTON |
| 145 | HOTPLATE COOKTOP FIXING SCREW |
| 168 | COOKTOP BOTTOM COVER (ELC) |
| 178 | HOTPLATE HOUSING (Ø145 / Ø180) |
| 197 | INNER PANEL RIGHT/LEFT SIDE ADDITION |
| OUR EXPLODED VIEWS ARE GENERATED : INCLUDES ALL OPTIONS | |

KNOBS (OPTIONAL)

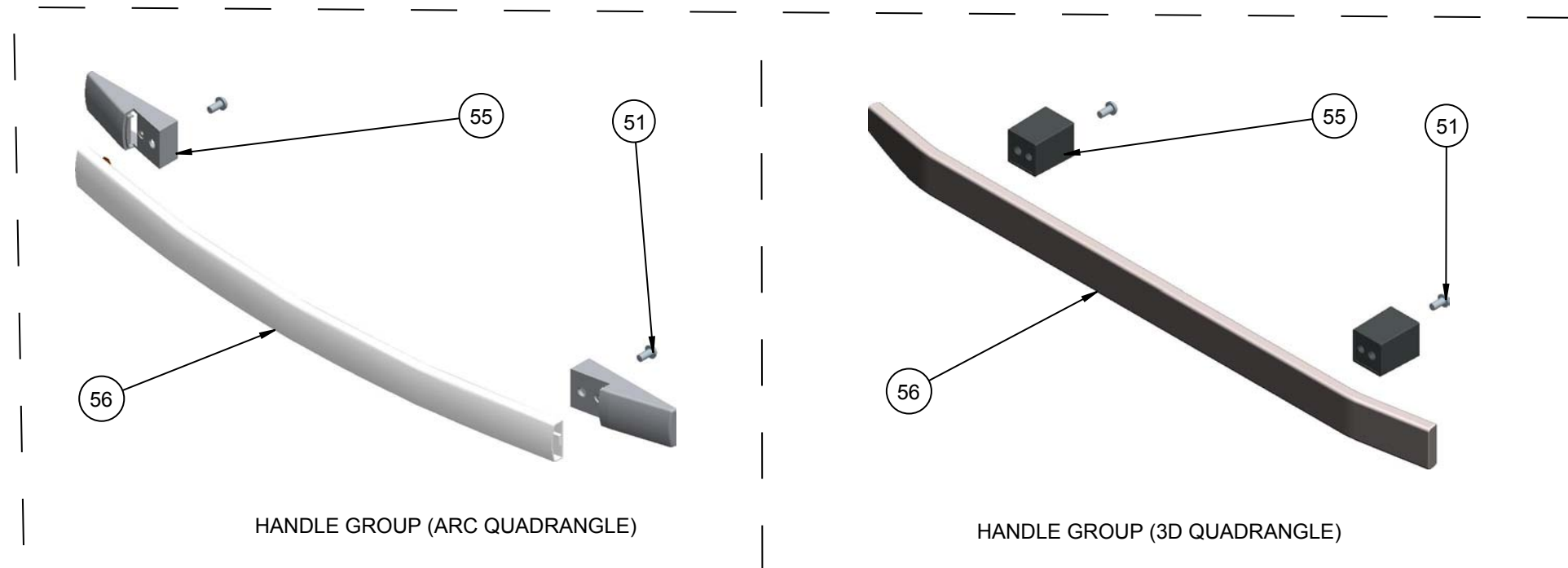


OVEN DOOR HANDLES (OPTIONAL)

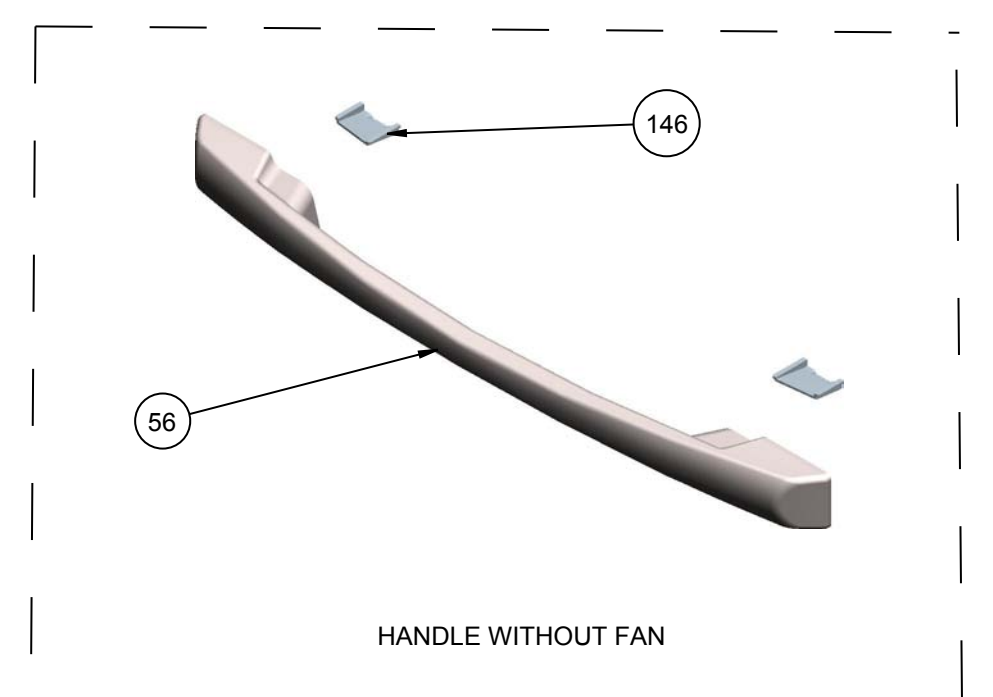
HANDLES WITHOUT TAP & BRACKET



HANDLES WITH BRACKET



HANDLES WITH TUNNEL TAP



HANDLES WITH TAP & BRACKET

