



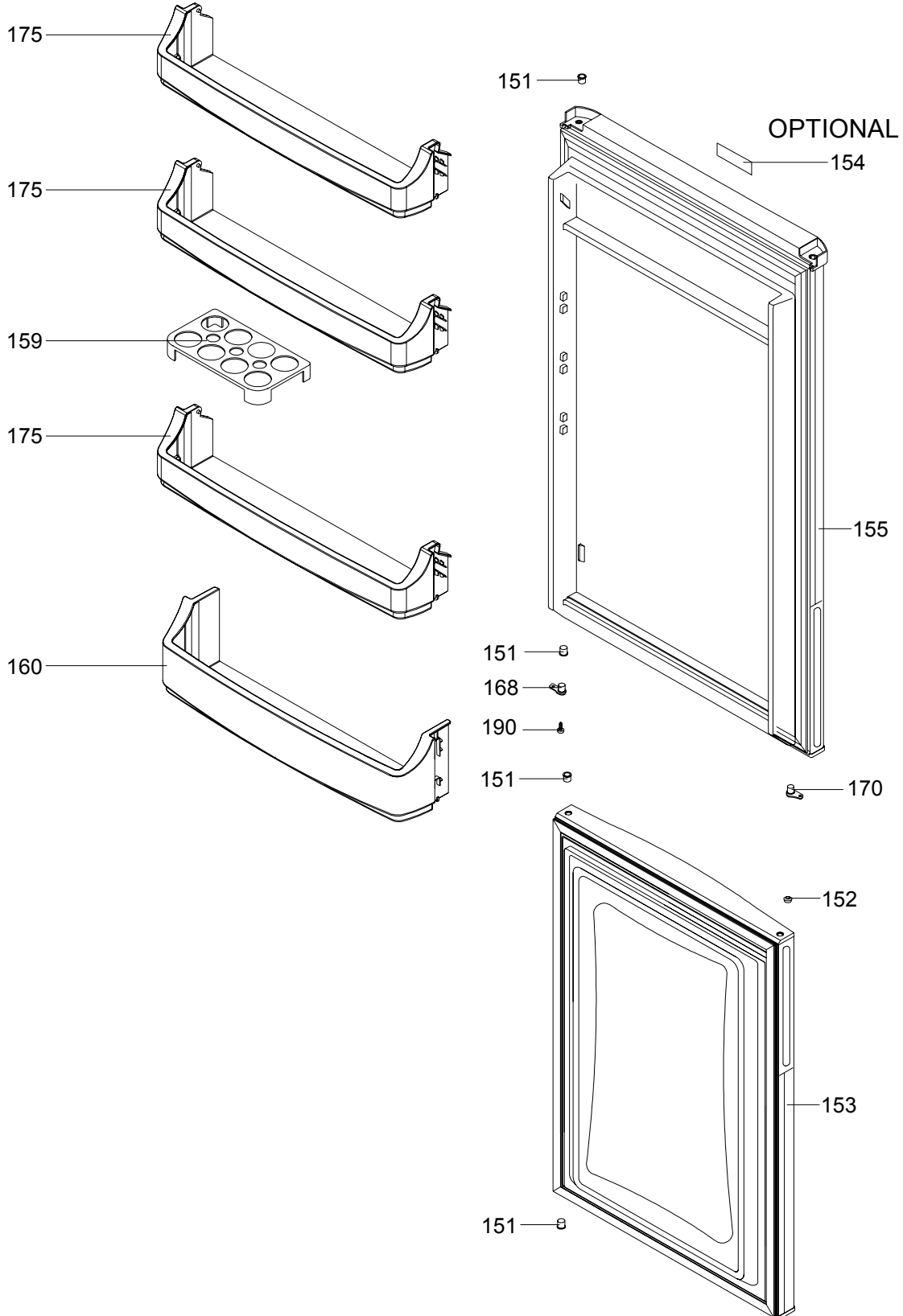
**VESTEL COMBI - 312**

**CUSTOMER  
SUPPORT**

**INTERIOR PARTS LIST**

<b>POSITION NUMBER</b>	<b>PART NAME</b>
1	ASSY URT CAB/312
2	TOP HINGE/345
7	SCREW M5*14 YSB-F
9	MIDDLE HINGE/260
12	MIDDLE HINGE SREW CAP(BIG)
13	DOOR SWITCH
14	TUNNEL DRAIN PLUG
15	BOTTOM HINGE
16	ADJUSTABLE FOOT
18	ICE TRAY
22	LAMP(E14/220-240V/15W)
23	LAMP HOLDER E-14
27	TERMOSTAT
28	LAMP COVER/270
29	THERM.KNOB
32	SCREW KA 40*18 YSB-C-INOX
37	R COMPARTMENT GLASS SHELF/270
38A	R COMPARTMENT SHELF TRIM-RIGHT/270
38B	R COMPARTMENT SHELF TRIM-LEFT/270
39	CRISPER COVER SHELF/270
40	TOP CRISPER COVER TRIM/270
41	R.CRISPER GR./270
41A	R.CRISPER-BOTTOM/270
41B	R.CRISPER-FRONT/270
92	MIDDLE BASK.GR/312
92A	MIDDLE BASK BACK/312
92B	MIDDLE BASK FRONT/272
92C	MIDDLE BASK FRONT/312
93	BOTTOM BASK.GR/270
93A	BOTTOM BASKET-BACK/270
93B	BOTTOM BASKET-FRONT/270
95	F EVAP TRIM/270
96	F EVAP.ASSY/312
111	LAMP BOX ASSY/270
112	LAMP BOX/270
115	THERMOSTAT ASSY.BRACKET
131	SCREW KA 40*14 YSB-C-INOX
700A	FREEZER COVER STOPPER/RIGHT
700B	FREEZER COVER STOPPER/LEFT

**SEPTEMBER 2013**



**SEPTEMBER 2013**

 <b>WHITE GOODS</b>	<b>VESTEL COMBI - 312</b>	<b>CUSTOMER SUPPORT</b>
	<b>DOOR ASSY. PARTS LIST</b>	

POSITION NUMBER	PART NAME
151	BUSHING/345P
152	BUSHING CAP
153	F DOOR ASSY/312S
154	LOGO
155	R DOOR ASSY/312S
159	EGG HOLDER
160	BOTTLE SHELF/270
168	STOPPER COMBI RIGHT
170	STOPPER COMBI LEFT
175	CHEESE BUTTER SHELF/270
190	SCREW 35*12 YSB-R-C

**ABBREVIATIONS :**

ASSY : ASSEMBLY  
R : REFRIGERATOR  
F : FREEZER

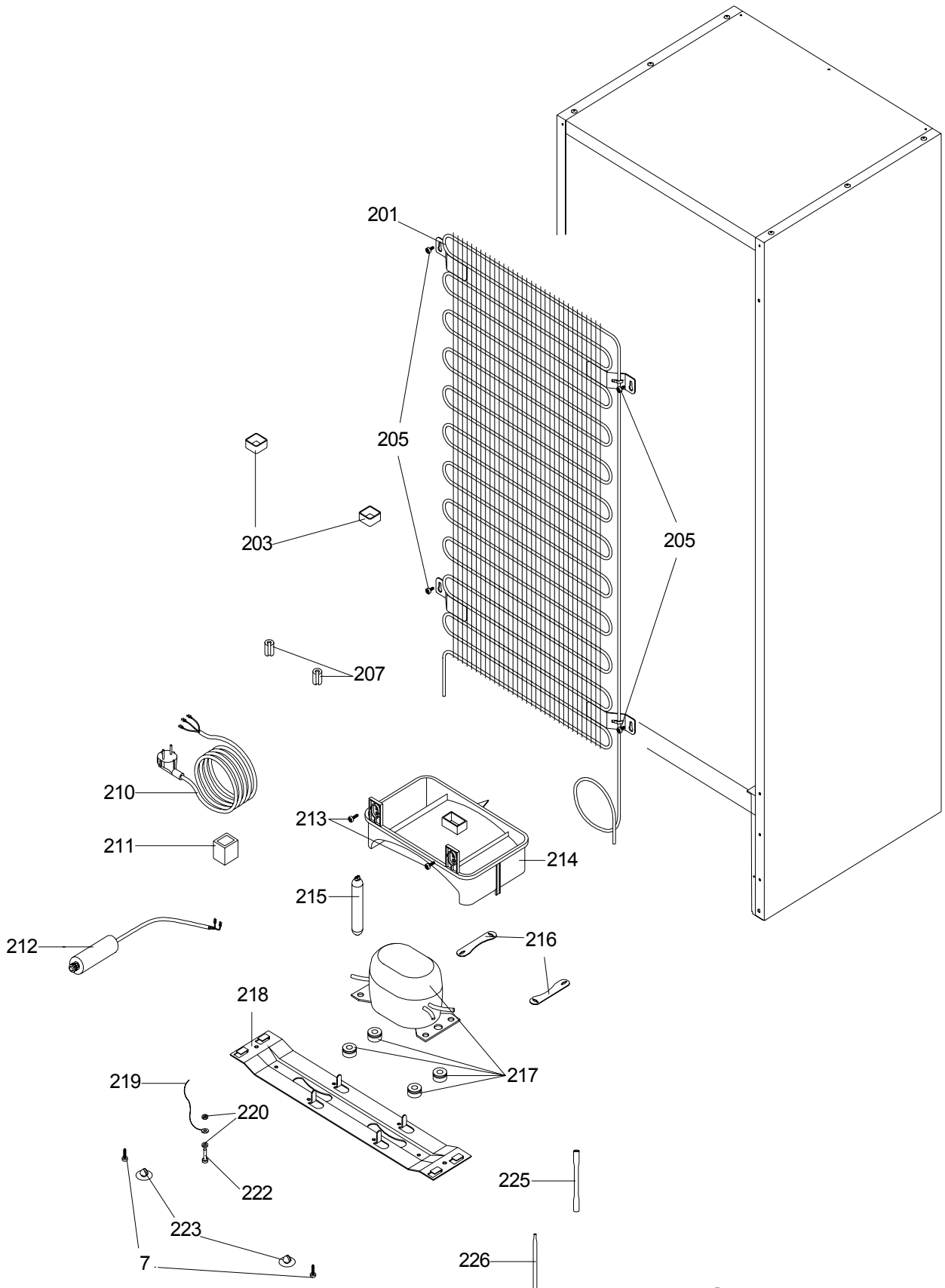
**SEPTEMBER 2013**



# VESTEL COMBI - 312

CUSTOMER  
SUPPORT

## UNIT PARTS



SEPTEMBER 2013

**VESTEL COMBI - 312****CUSTOMER  
SUPPORT****UNIT PARTS LIST**

<b>POSITION NUMBER</b>	<b>PART NAME</b>
7	SCREW M5*14 YSB-F
201	MAIN CONDENSER
203	SPACER
205	SCREW ST 4.8*13 YSB-T-C
207	ANTIVIBRATION (CONDANSER)
210	POWER CORD
211	OVER LOAD RELAY
212	CAPACITOR
213	SCREW 4.2*9.5 YSB-C
214	EVAPORATING TRAY
215	DRYER
216	COMP FIXING BRACKET
217	COMPRESSOR
218	COMP BASEMENT/140
219	GROUNDLY WIRE/PGYB
220	NUT M4*3.2 DIN 934 ZNK
222	SCREW M4*16 AKB-F
223	COMP.BASEMENT FOOT/140
225	SERVICE TUBE
226	DRYER VACUUM TUBE

**SEPTEMBER 2013**