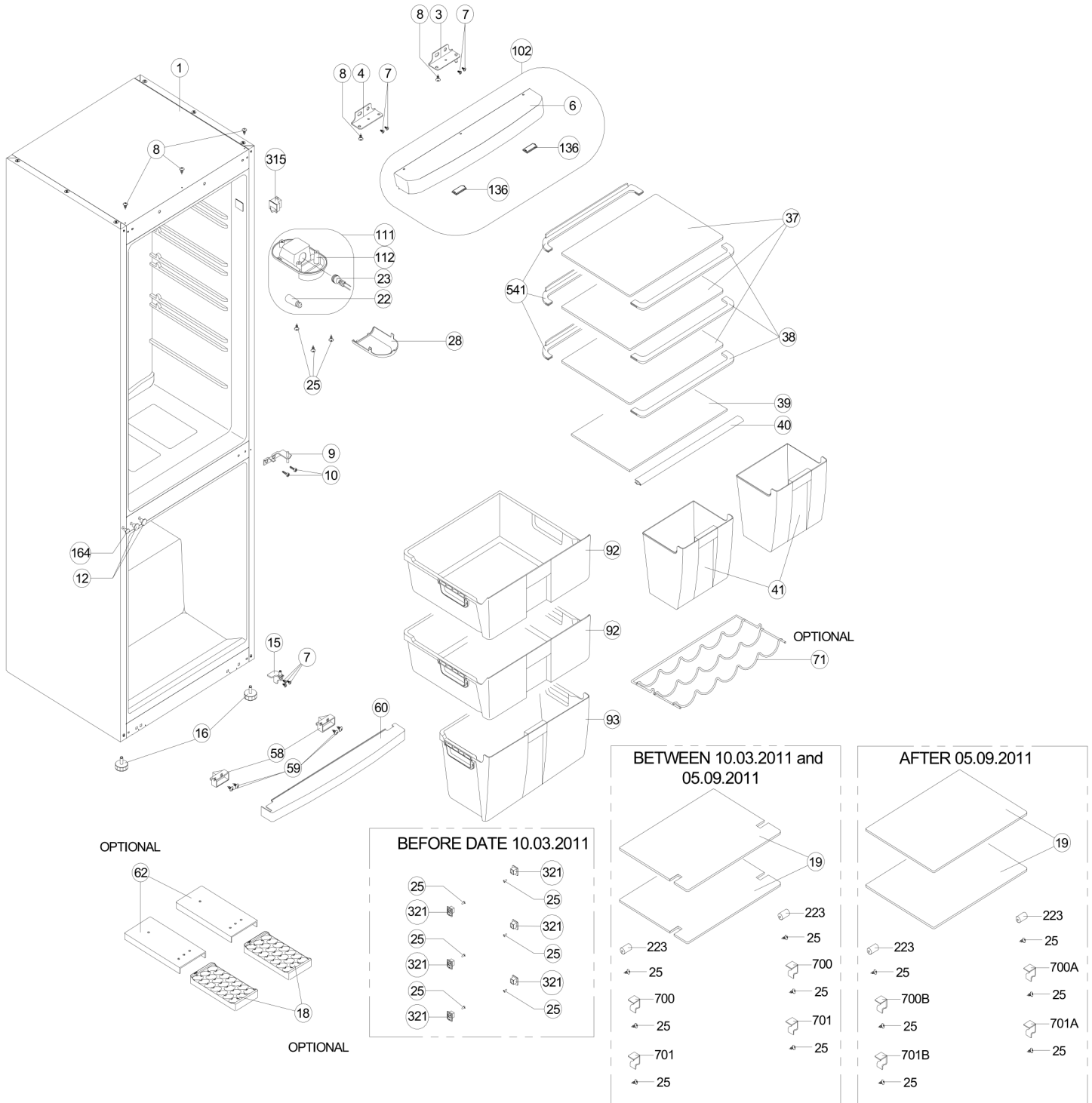




NO FROST-COMBI 366-MECHANIC

INTERIOR PARTS

CUSTOMER
SUPPORT

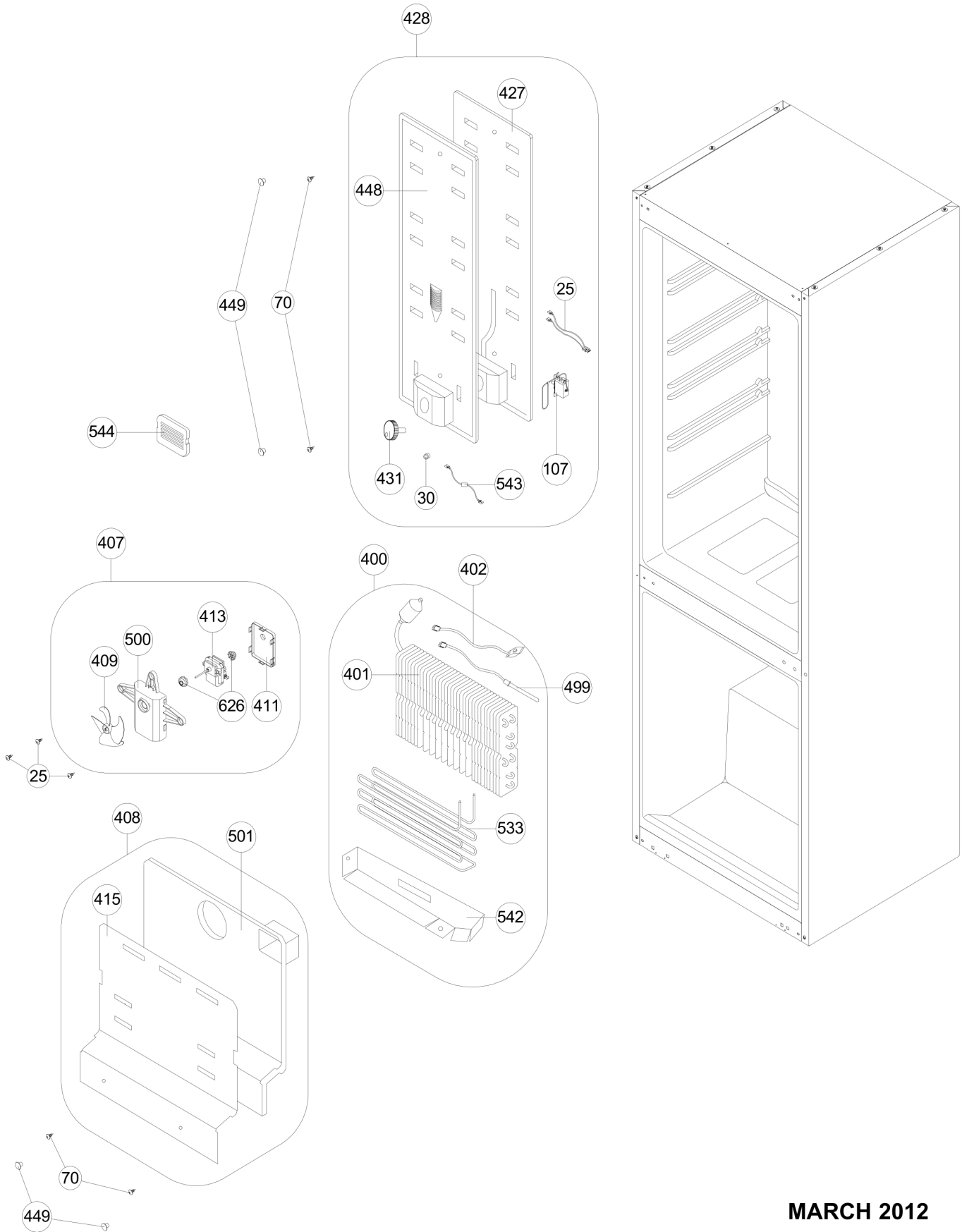




NO FROST-COMBI 366-MECHANIC

CUSTOMER
SUPPORT

MULTIFLOW PARTS



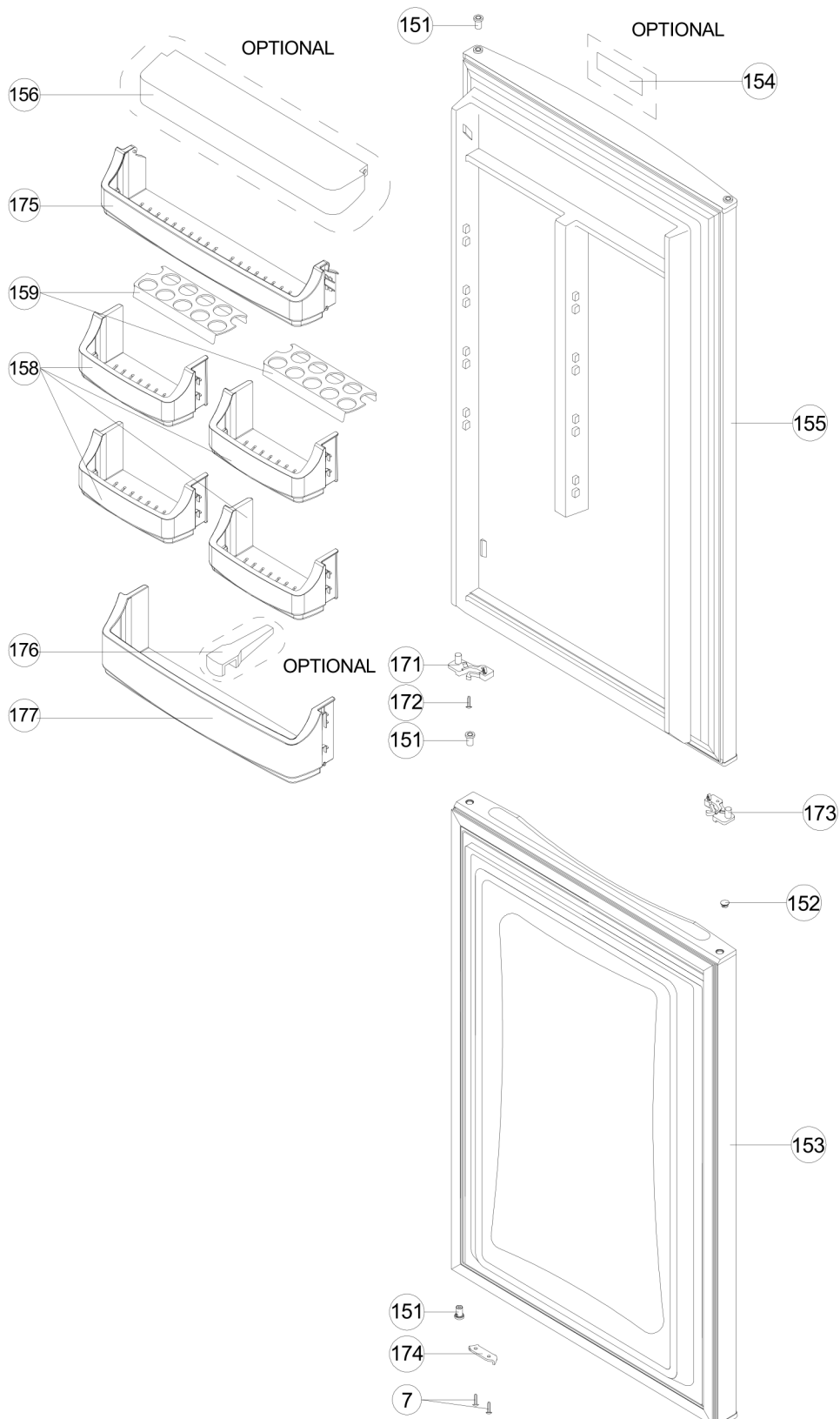


NO FROST-COMBI 366-MECHANIC

CUSTOMER
SUPPORT

DOOR ASSY. PARTS-1

STANDARD DESIGN



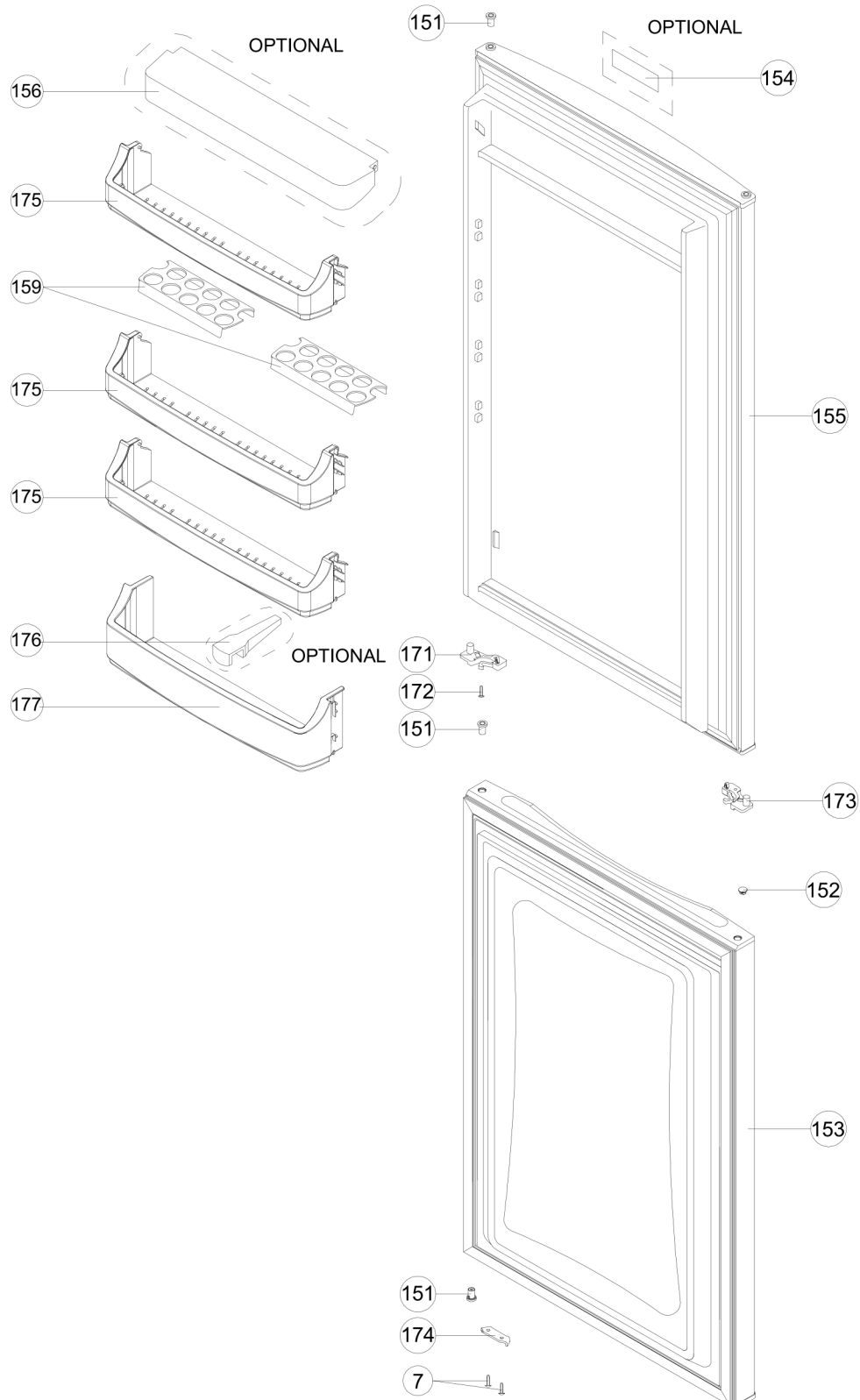


NO FROST-COMBI 366-MECHANIC

CUSTOMER
SUPPORT

DOOR ASSY. PARTS-2

FULL WIDTH DESIGN





NO FROST-COMBI 366-MECHANIC

CUSTOMER
SUPPORT

UNIT PARTS

