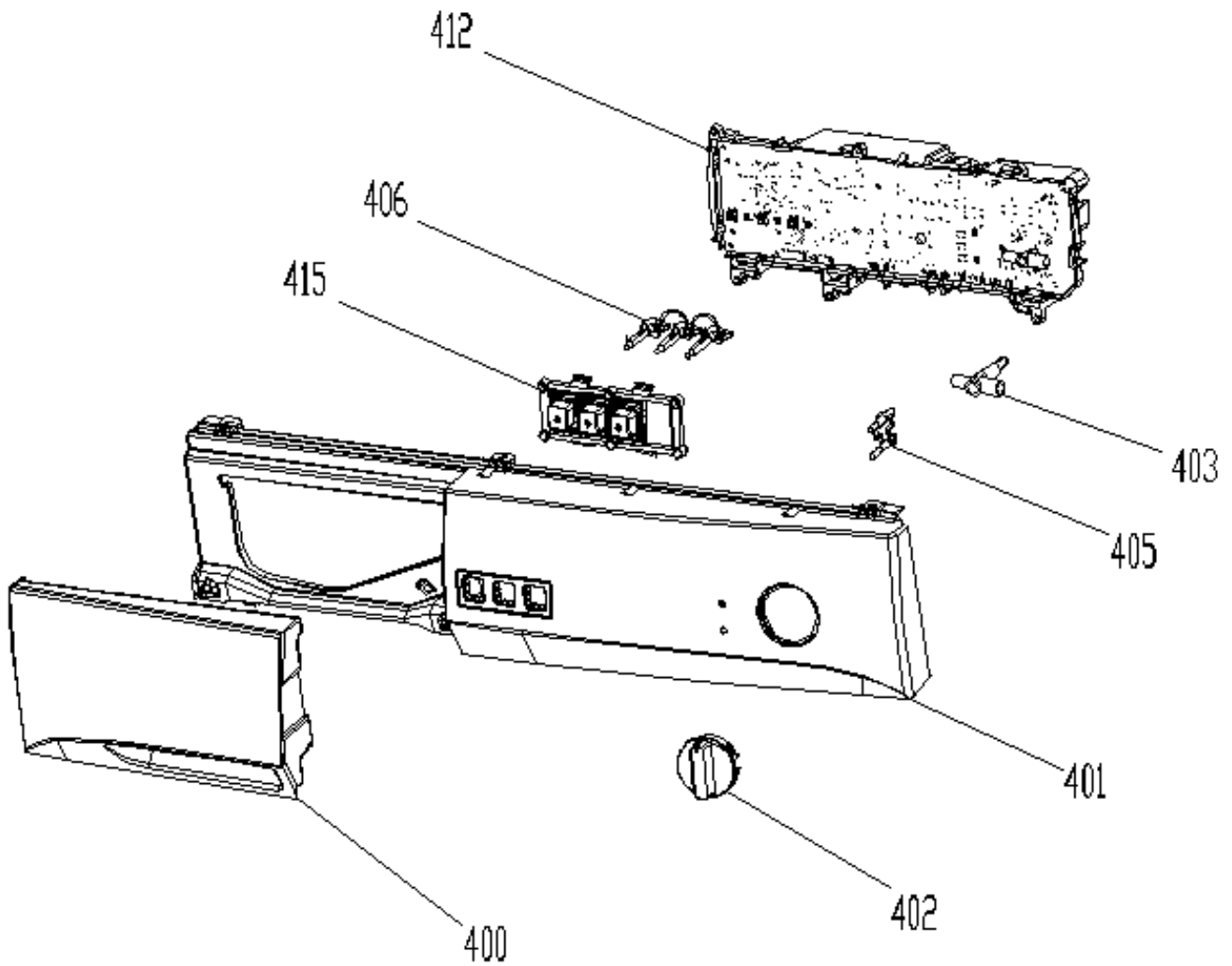
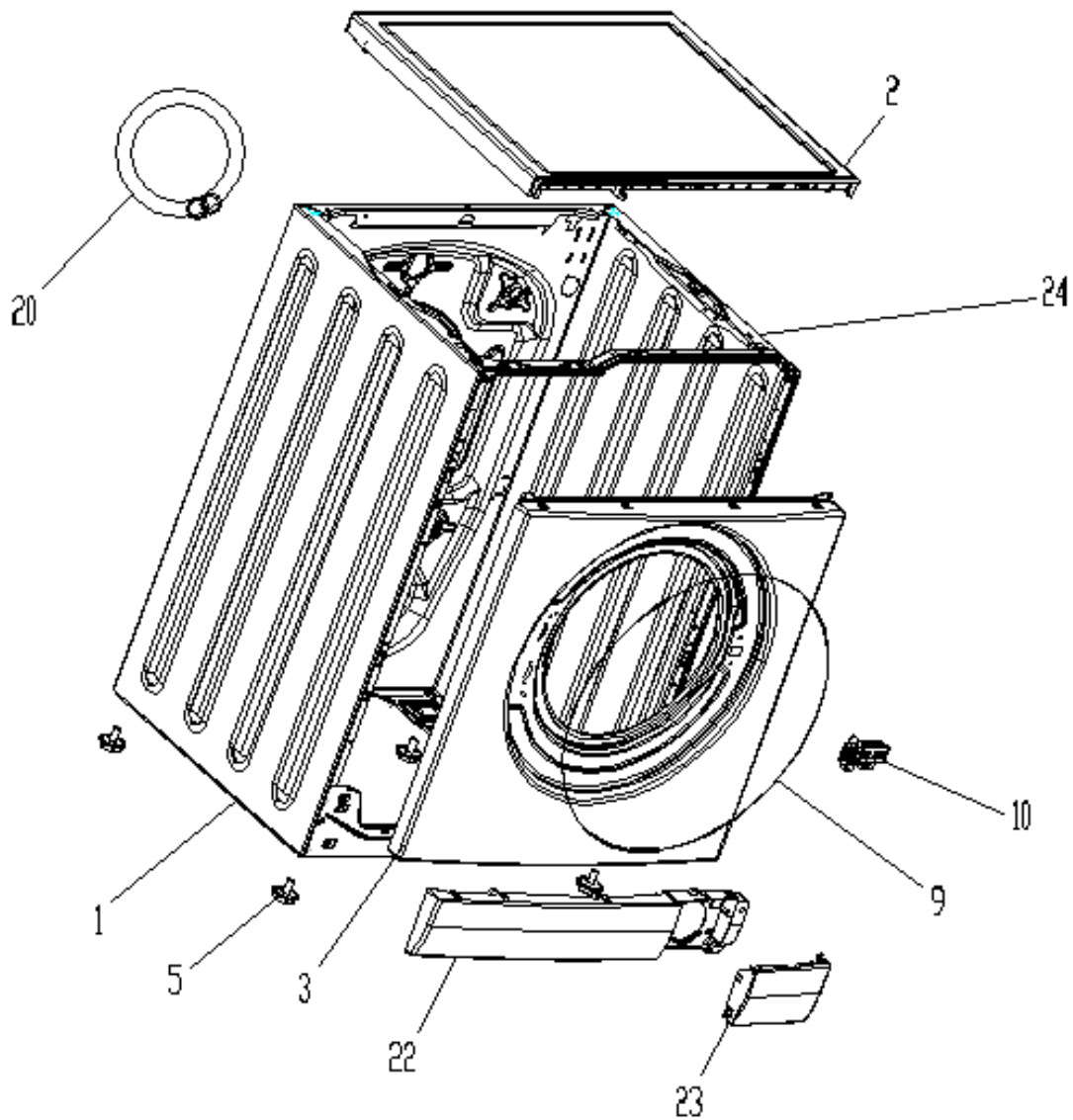


CONTROL PANEL PARTS



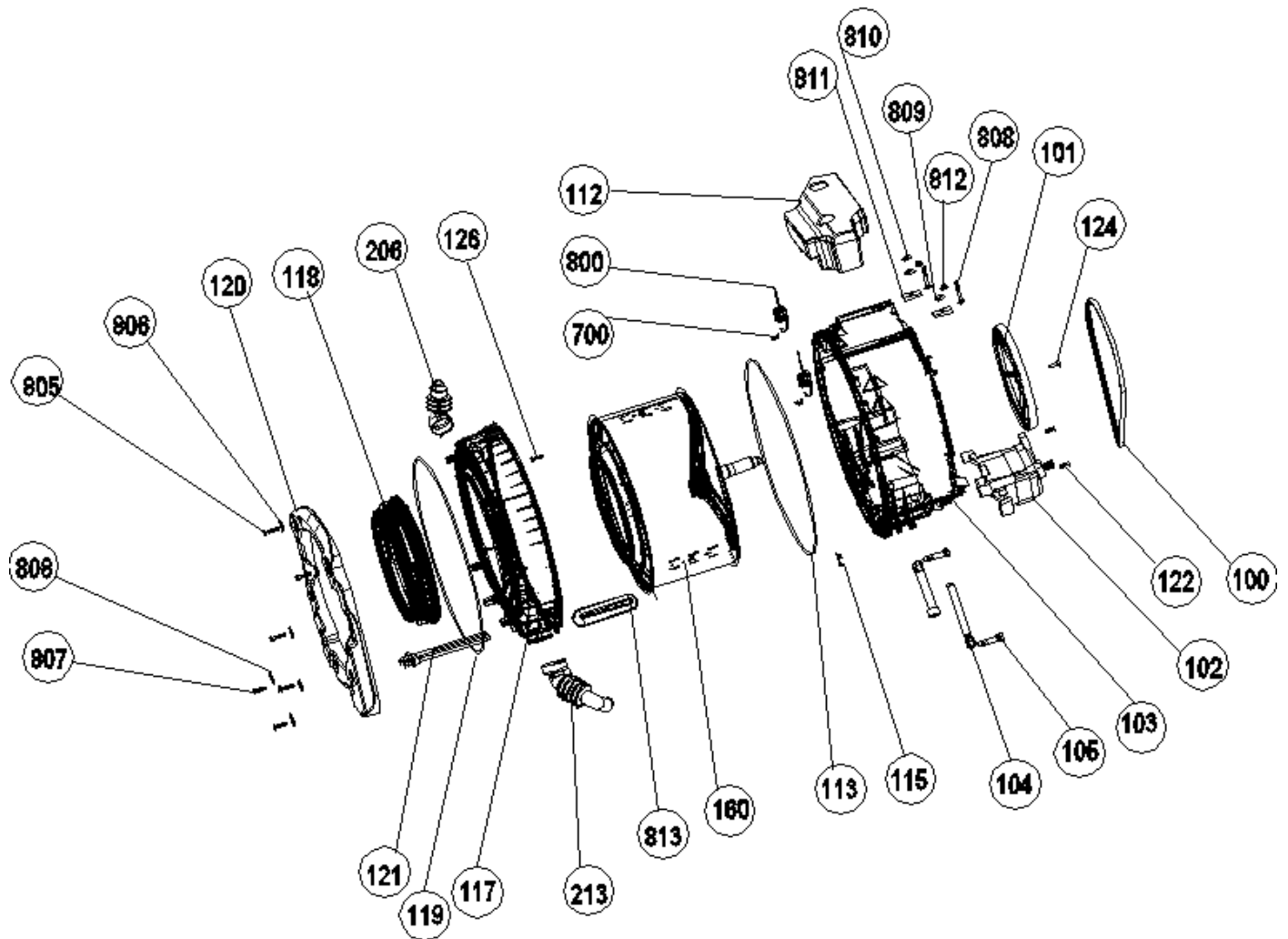
NO	PART NAME	QUANTITY
400	DETERGENT DRAWER COVER	1
401	CON.PAN.WITH SRGF	1
402	PROGRAM ADJ. KNOB	1
415	SELECTION BUTTON TRIO	1
403	PROGRAMME ADJUSTMENT SHAFT	1
406	LIGHT GUIDE TRIO	1
412	ELECTRONIC CARD-W.FOIL	1
405	LIGHT GUIDE DUO	1
500	CONTROL PANEL GROUP (indicated for the website)	1

FRONT PANEL PARTS



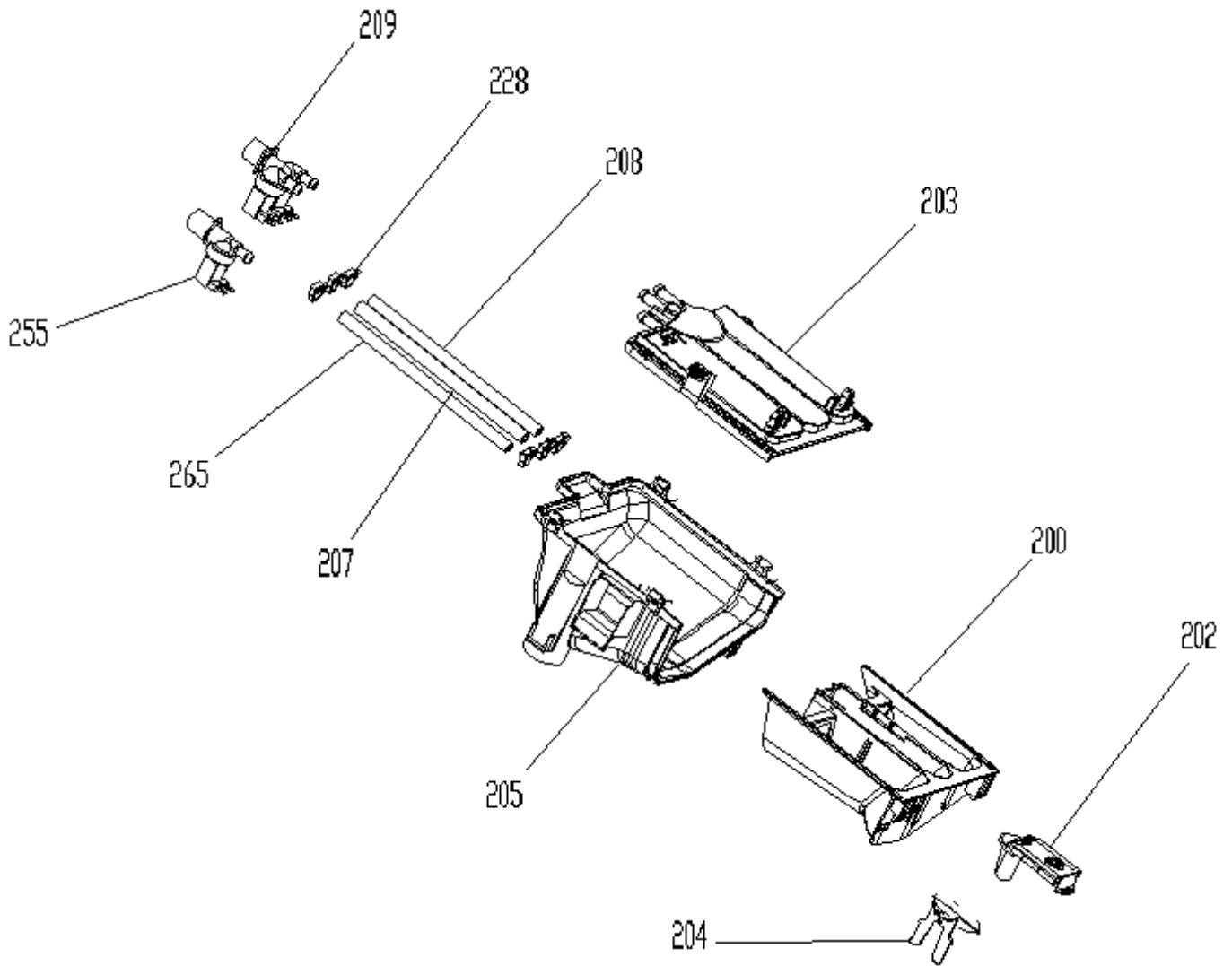
NO	PART NAME	QUANTITY
1	BODY GROUP PAINTED	1
2	UPPER TRAY GROUP	1
3	FRONT PANEL GROUP	1
4	PLINTH GROUP (includes 22+23)	1
22	PLINTH	1
23	PLINTH COVER	1
5	ADJUSTABLE FEET	4
9	BODY-GASKET CLAMP	1
10	DOOR LOCK	1
24	UPPER SUPPORT BRAKET	1
20	WATER ENTRY HOSE GROUP	1

WASHING GROUP PARTS



NO	PART NAME	QUANTITY
103	REAR TUB GROUP	1
117	FRONT TUB	1
160	DRUM GROUP	1
102	MOTOR	1
113	TUB SEAL	1
101	DRIVEN PULLEY	1
100	BELT	1
122	SCREW M 8*25	4
206	TUB ENTERANCE WITH BELLOW HOSE	1
118	TUB BELLOWS SEAL	1
126	SCREW PT 6*30	19
805	SCREW PT 8*40	4
806	WASHER 8,4*28*3	4
808	WASHER 37*23*2	2
807	SCREW PT 8*34	2
119	TUB-GASKET CLAMP	1
120	FRONT CONCRETE WEIGHT	1
121	RESISTANCE GR	1
115	RESISTANCE FIXING WIRE	1
104	SHOCK ABSORBER	1
213	TUB EXIT WITH BELLOW HOSE	1
124	SCREW PT 8*25	1
700	TUB HANGER SPRING PART	2
800	TUB SPRING	2
808	SCREW M8*65	3
809	WASHER 8,5*35*3	3
811	UPPER CONCRETE SUPPORT SHEETIRON PART	2
812	M8 NUT	2
813	PLASTIC LIFTER	3
810	WASHER 9*30*3(DIN 6796)	3
112	UPPER CONCRETE WEIGHT	1
105	SHOCK ABSORBER PIM	2

DETERGENT DRAWER GROUP



(255-265-FOR DOUBLE WATER INLET WASHERS)

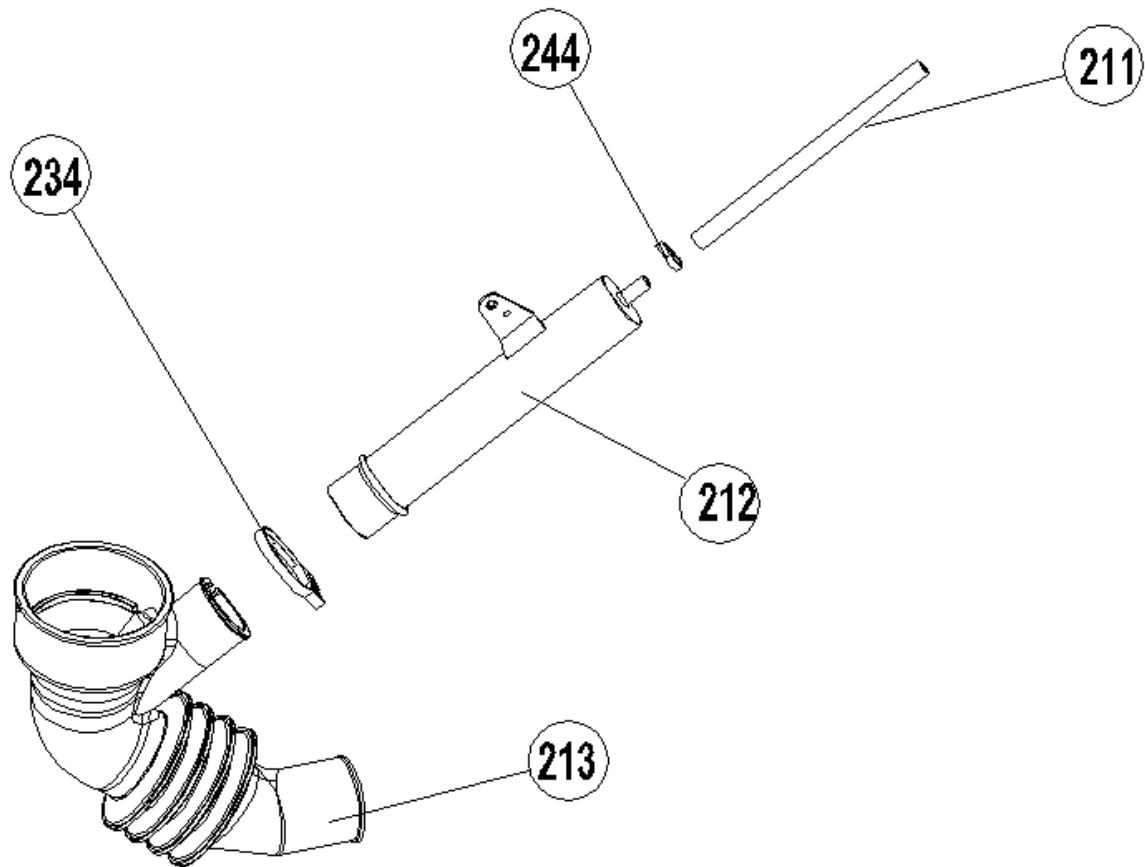
NO	PART NAME	QUANTITY
203	WATER DISTRIBUTION PLATE GROUP	1
205	DETERGENT DRAWER HOUSING	1
200	DETERGENT DRAWER	1
202	SIPHON COVER	1
204	STEAM CONSERVATIVE	1
228	PLASTIC HOSE HANDCUFFS	6
207	VALVE-DETERGENT BOX HOSE	1
208	VALVE-DETERGENT BOX HOSE	1
265	VALVE-DETERGENT BOX HOSE	1
209	VALVE(TWO EXIT)	1
255	VALVE(ONE EXIT)	1
270	DETERGENT BOX GROUP	1
275	DETERGENT BOX GROUP/HOSE	1
280	DETERGENT BOX GROUP/FULL	1

203-205-200-202-204-..... DETERGENT BOX GROUP

203-205-200-202-204-228-207-208..... DETERGENT BOX GROUP/HOSE

203-205-200-202-204-228-207-208-209..... DETERGENT BOX GROUP/FULL

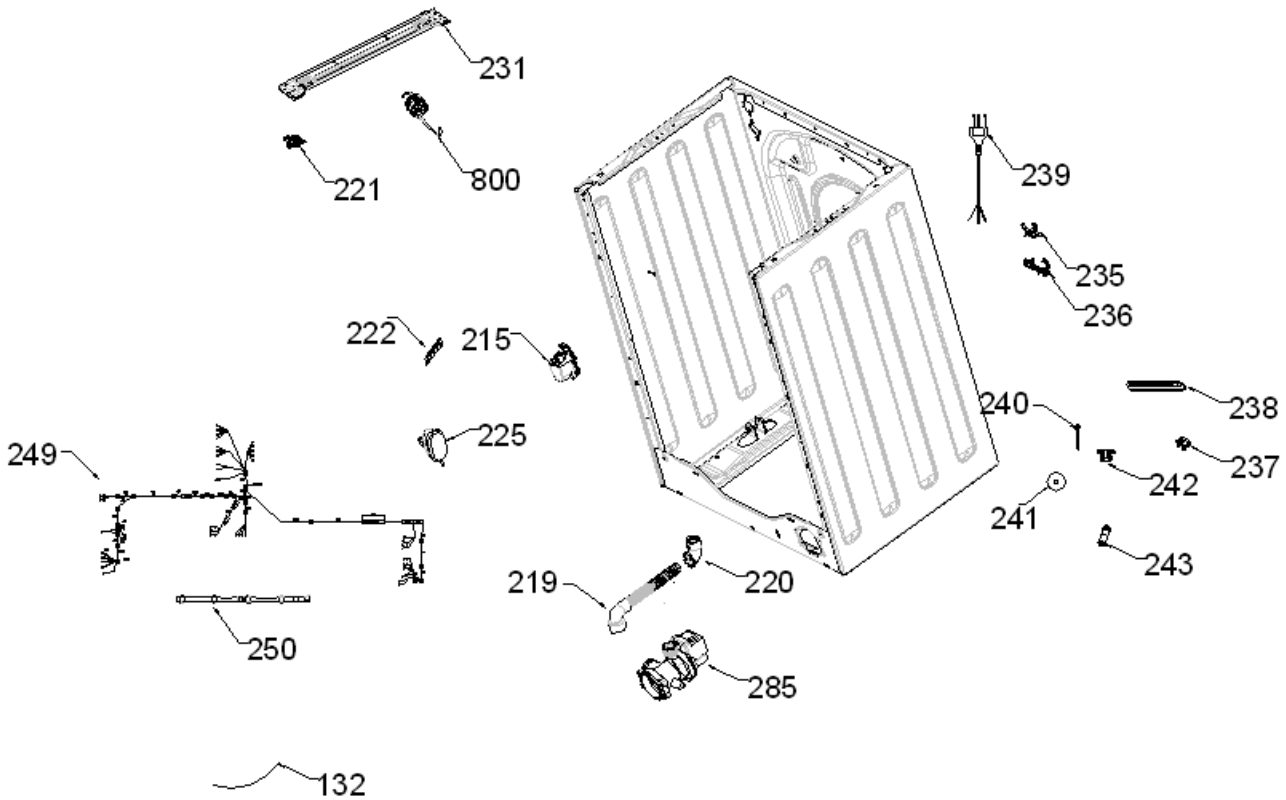
PRESSURE SWITCH HOSE GROUP



NO	PART NAME	QUANTITY
213	TUB EXIT WITH BELLOW HOSE	1
212	PRESSURE SWITCH WATER RESERVOIR	1
211	PRESSURE SWITCH HOSE	1
234	HOSE HANDCUFFS	1
244	HOSE HANDCUFFS	1
295	PRESSURE SWITCH HOSE GROUP	1

213-212-211-234-244----- PRESSURE SWITCH HOSE GROUP

BODY GROUP PARTS

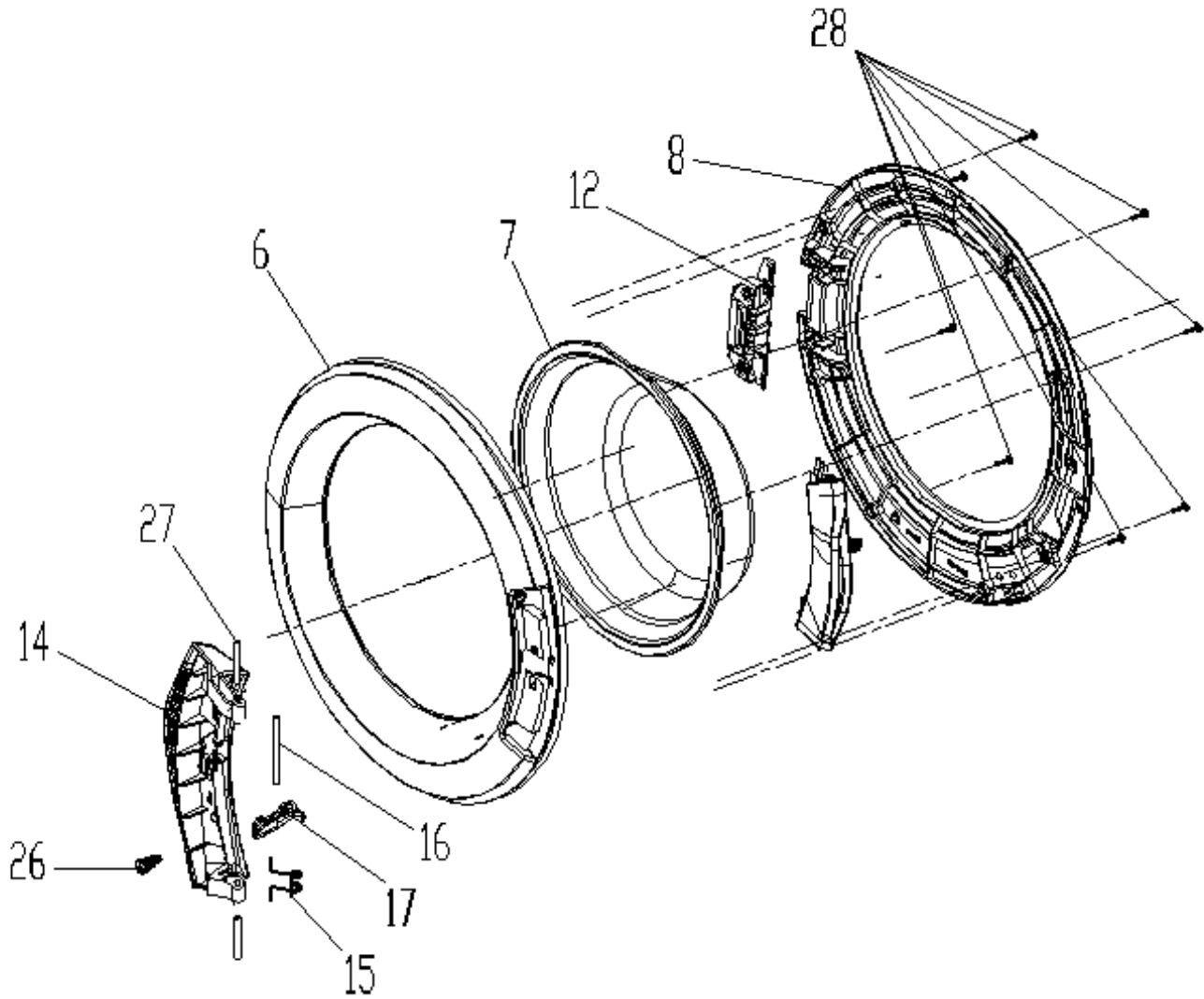


NO	PART NAME	QUANTITY
285	PUMP GROUP	1
220	DRAIN HOSE ROUTER PLASTIC	1
219	DRAIN HOSE	1
225	PRESSURE SWITCH	1
215	PARASITE FILTER	1
249	CABLE HARNESS	1
250	CABLE HARNESS HOLDER PLS	1
800	TUB SPRING	2
221	HANGER SPRING SHEETIRON PLS.	2
236	DRAIN HOSE AND CABLE HOLDING PLS.	2
235	DRAIN HOSE HOLDING PLS	2
239	POWER CORD GROUP	1
222	PRESSURE SWITCH MOUNTING CLIP	1
238	SPEED CONTROL HOLE STOPPER	1
296	CABLE GROUP	1
242	TRANSPORT SCREW PLASTIC A	4
243	TRANSPORT SCREW PLASTIC B	4
240	TRANSPORT SCREW	4
241	WASHER 8,5*36*2	4
231	SPRING HANGER SHEETIRON GROUP	1
237	TRANSPORT SCREW STOPPER	5
290	TRANSPORT SCREW GROUP	4

240-241-242-243..... TRANSPORT SCREW GROUP

249-250-222-10..... CABLE GROUP

DOOR GROUP



NO	PART NAME	QUANTITY
27	DOOR HANDLE PIM	2
12	SHEET METAL HINGE GROUP	1
6	PORTHOLE OUTER PLASTIC	1
16	DOOR HANDLE TONGUE PIM	1
14	DOOR HANDLE	1
15	HOOK SPRING	1
17	HOOK	1
7	DOOR GLASS	1
8	PORTHOLE INNER PLASTIC	1
28	SCREW 3.5X16PAN.HE.WITH COL.CR.RE.UN.HE	8
26	HANDLE SPRING	1
50	PORTHOLE GROUP (all parts)	1