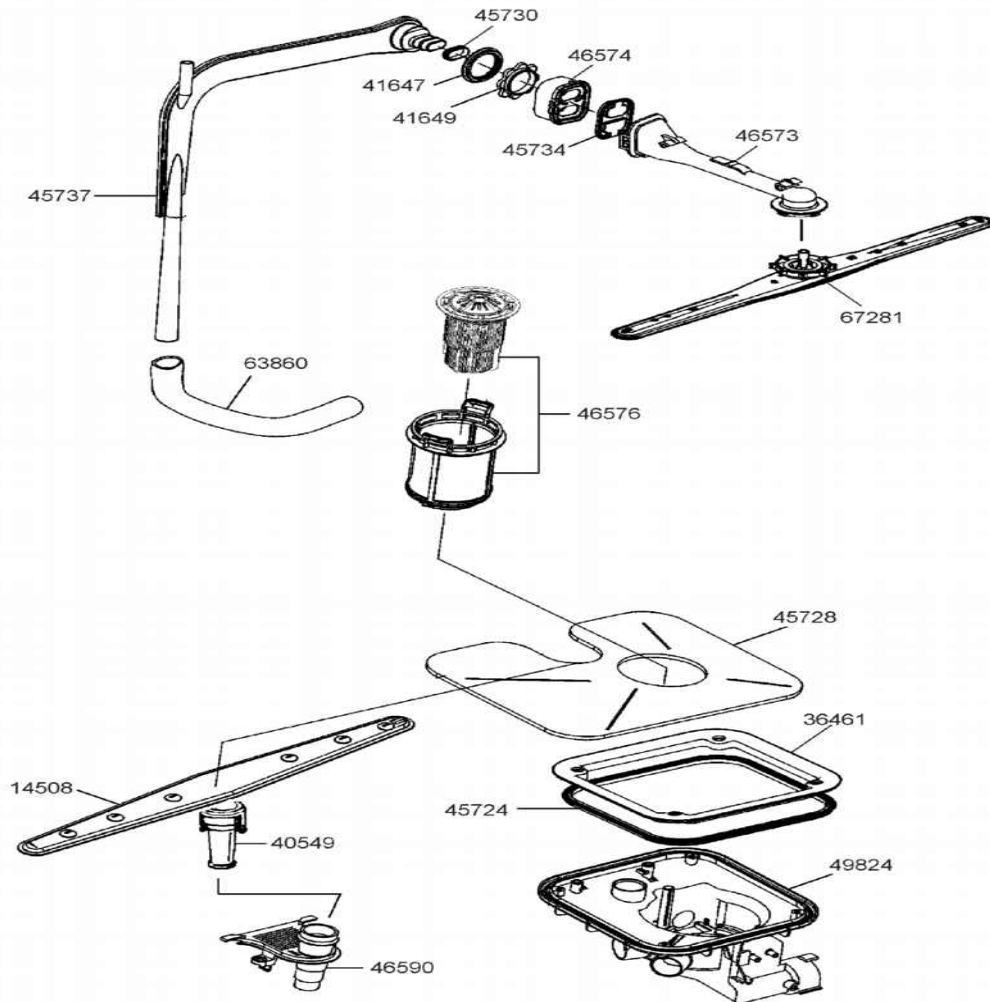


40723010 - LP7 790

01/04 - LP7 790 - 01/04

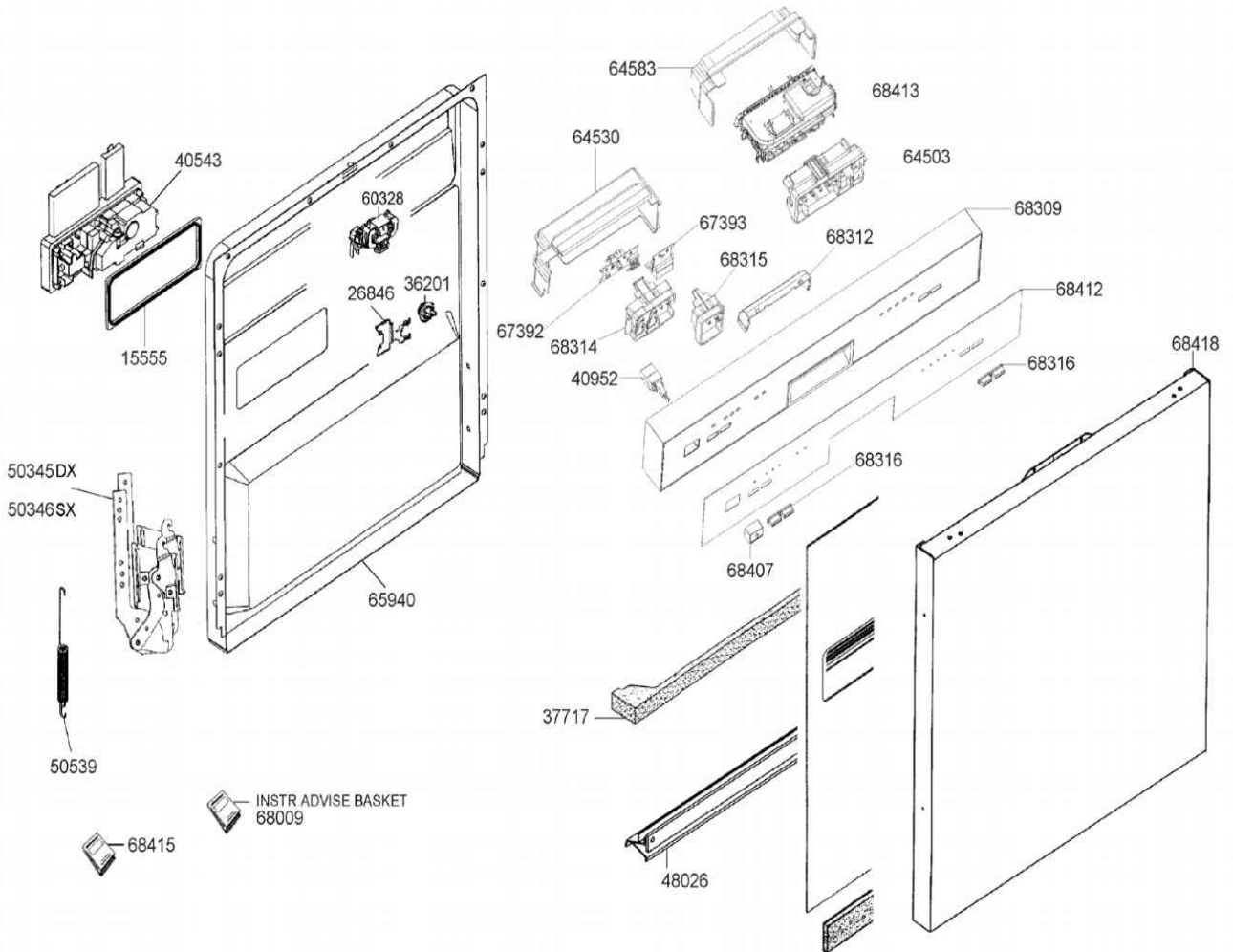
LAVAVAJILLAS / DISHWASHER LP7-790

1 / 4

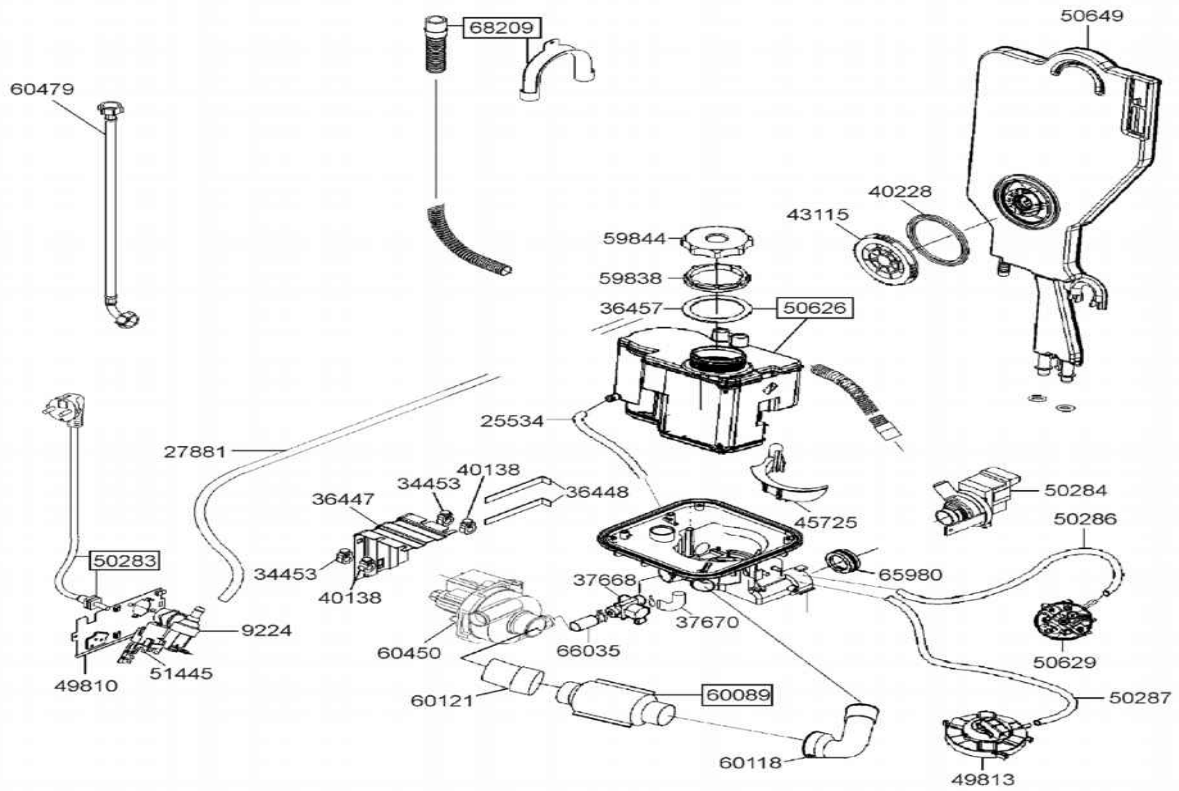


teka TEKA INDUSTRIAL, S.A.
SANTANDER - ESPAÑA

LAVAVAJILLAS / DISHWASHER LP7-790



Teka TEKA INDUSTRIAL, S.A.
SANTANDER - ESPAÑA



LAVAVAJILLAS / DISHWASHER LP7-790

4 / 4

