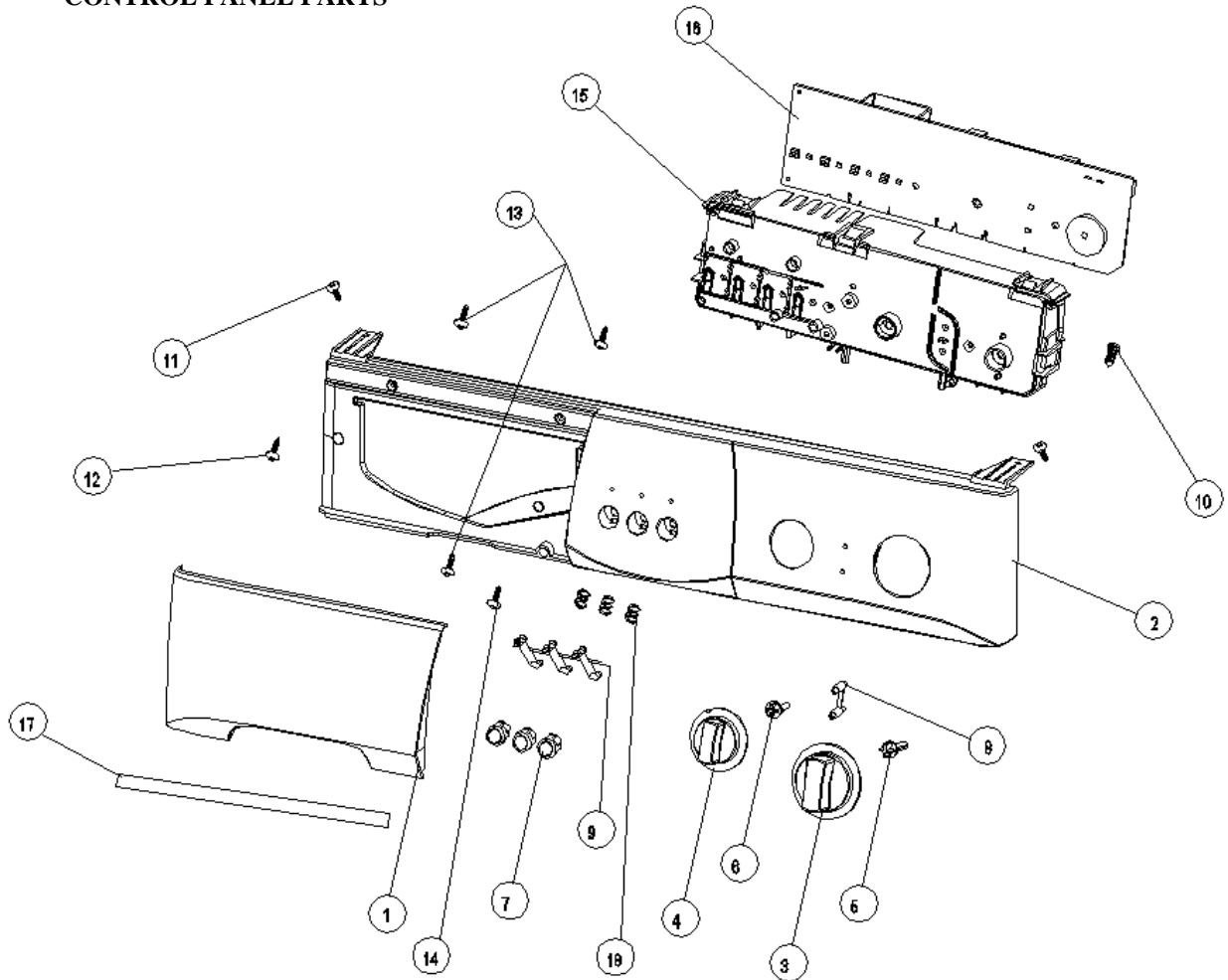
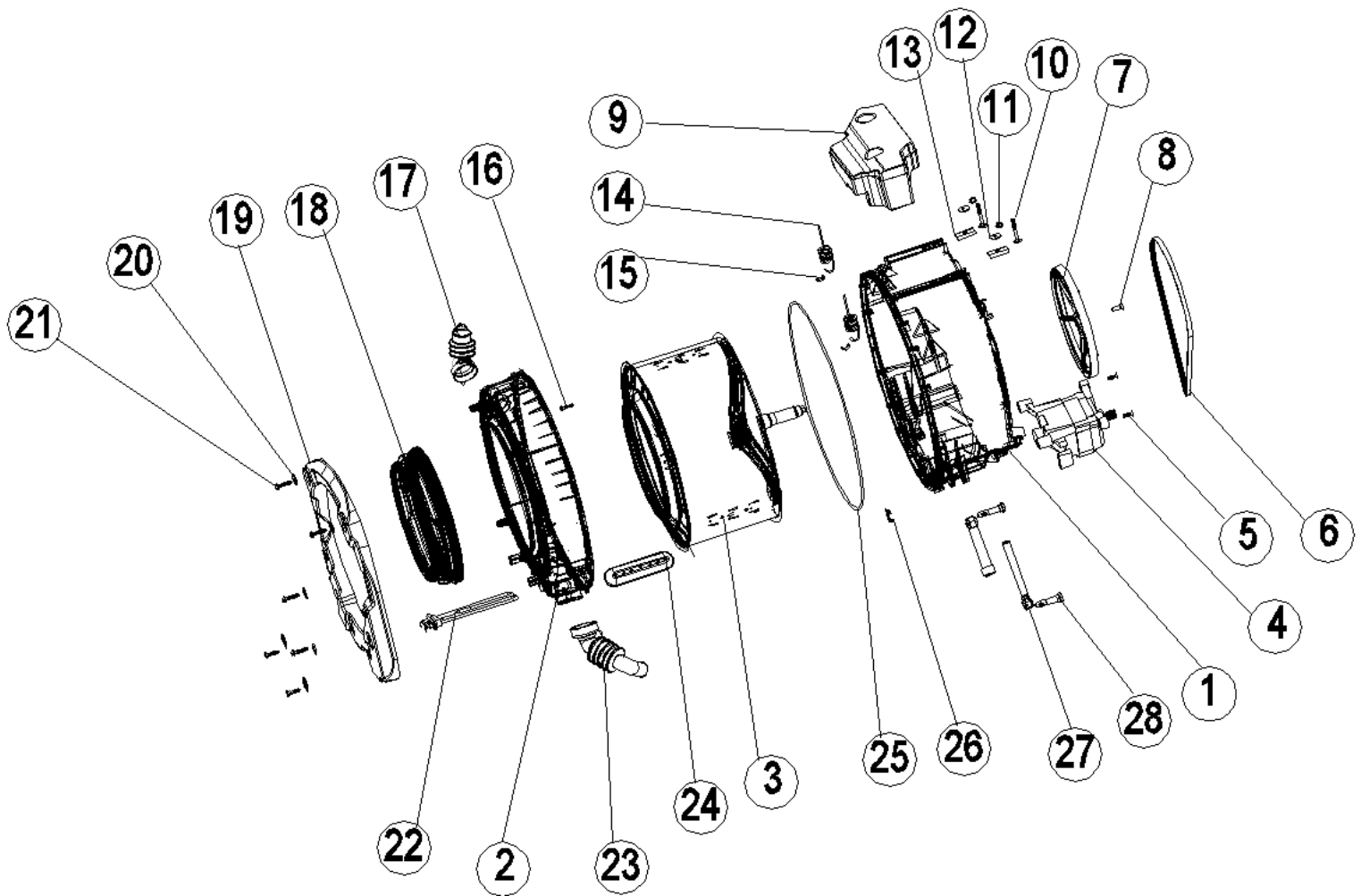


CONTROL PANEL PARTS



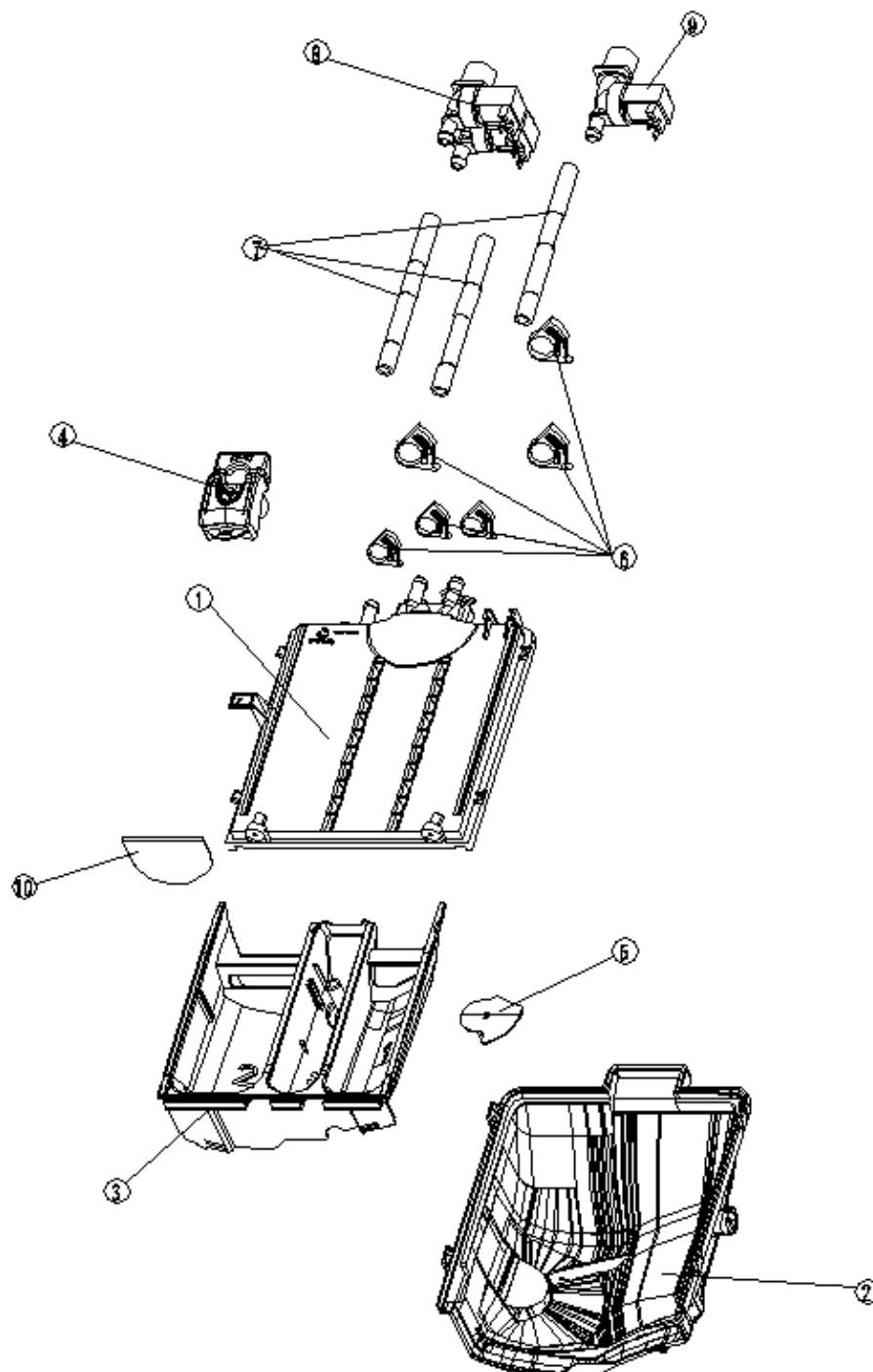
NO	PART NAME	QUANTITY
1	DETERGENT DRAWER COVER	1
2	CONTROL PANEL	1
3	PROGRAMME ADJUSDMENT KNOB	1
4	TEMPERATURE ADJUSTMENT KNOB	1
5	BUTTON SHAFT(PROGRAMME)	1
6	BUTTON SHAFT(TEMPERATURE)	1
7	SELECTION BUTTON	4
8	DOUBLE LIGHT CARRIER	1
9	QUARTED LIGHT CARRIER	1
10	SCREW PT 3,5*9	1
11	SCREW ST 4,2*9,5 TS 432	2
12	SCREW ST 4,2*16	1
13	SCREW PT 4*14	3
14	SCREW ST 4,2*13 TS 432	1
15	MAIN BOARD BOX	1
16	ELECTRONIC CARD(MAIN BOARD)	1
17	ISOLATION BAND	1
18	BUTTON SPRING	4
1-2-3-4- 5-6-7-8- 9-10-15- 17-18- 19-	CONTROL PANEL GROUP	1

WASHING GROUP PARTS



NO	PART NAME	
1	REAR TUB GROUP	1
2	FRONT TUB	1
3	DRUM GROUP	1
4	MOTOR	1
5	SCREW PT 8*25	2
6	BELT	1
7	DRIVEN PULLEY	1
8	SCREW M 8*25 THB	1
9	UPPER CONCRETE WEIGHT	1
10	SCREW M8*60	2
11	M8 NUT	2
12	WASHER 9*30*3	2
13	UPPER CONCRETE SUPPORT SHEETIRON PART	2
14	HANGER SPRING	2
15	HANGER SPRING PLS.	2
16	SCREW PT 6*25	19
17	TUB ENTERANCE WITH BELLOW HOSE	1
18	TUB BELLOWS SEAL	1
19	FRONT CONCRETE WEIGHT	1
20	WASHER 8,4*28*3	4
21	SCREW PT 8*37	4
22	RESISTANCE GR	1
23	TUB EXIT WITH BELLOW HOSE	1
24	PLASTIC LIFTER 180	3
25	TUB SEAL	1
26	RESISTANCE FIXING WIRE	1
27	SHOCK ABSORBER	2
28	SHOCK ABSORBER PIM	4

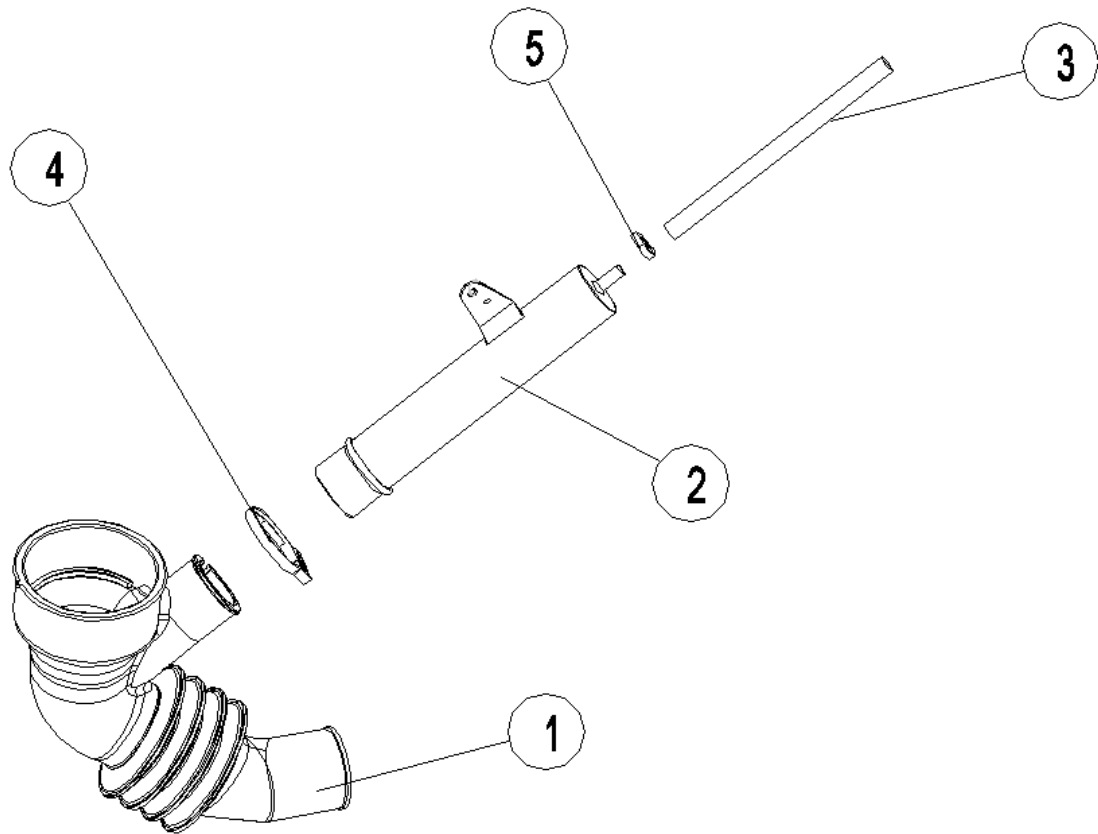
DETERGENT DRAWER GROUP



9-DOUBLE WATER INLET IN MACHINES

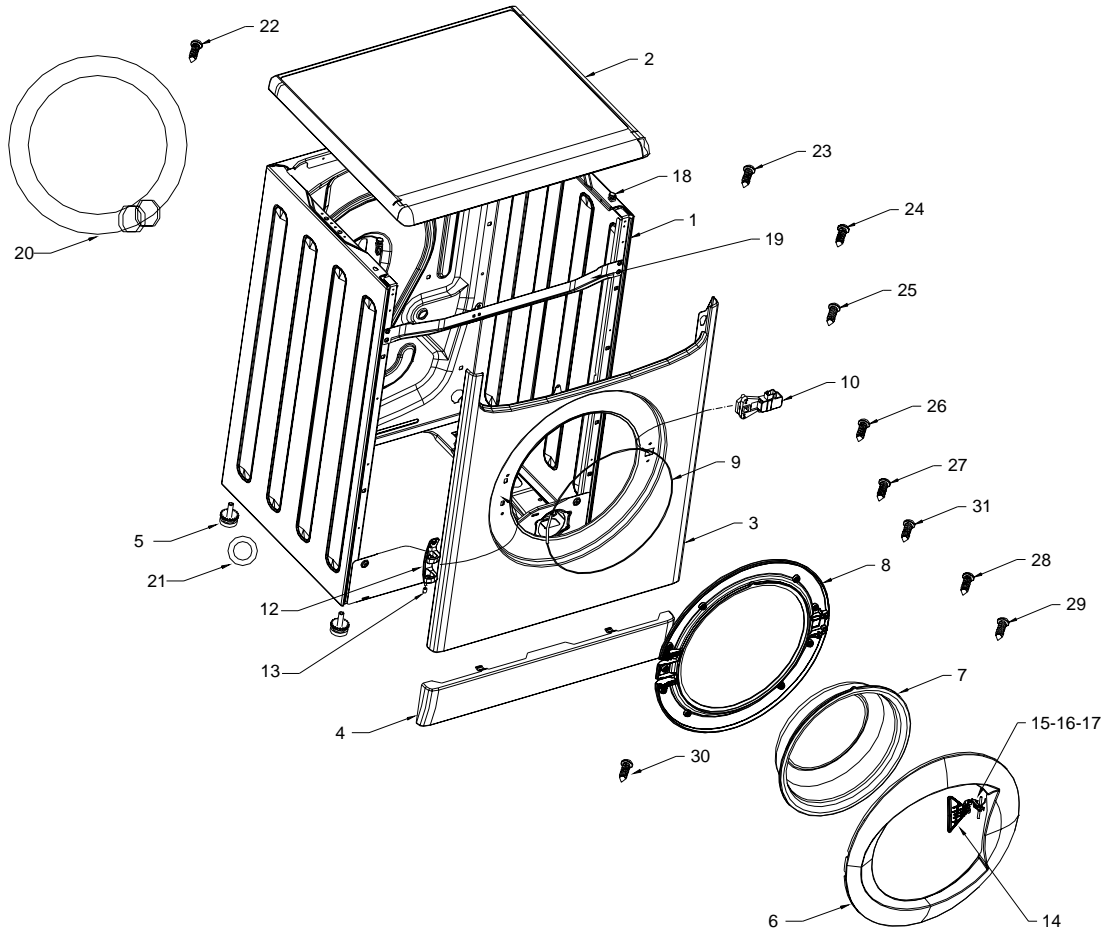
NO	PART NAME	
1	WATER DISTRIBUTION PLATE GROUP	1
2	DETERGENT DRAWER HOUSING	1
3	DETERGENT DRAWER	1
4	SIPHON COVER	1
5	STEAM CONSERVATIVE	1
6	HOSE HANDCUFFS	6
7	VALVE-DETERGENT BOX HOSE	3
8	VALVE(TWO EXIT)	1
9	VALVE(ONE EXIT)	1
10	LIQUID DETERGENT LEVEL PLATE	1
1-2-3-4-5	DETERGENT BOX GROUP	1
1-2-3-4-5-6-7	DETERGENT BOX GROUP/HOSE	1
1-2-3-4-5-6-7-8	DETERGENT BOX GROUP/FULL	1

PRESSURE SWITCH HOSE GROUP



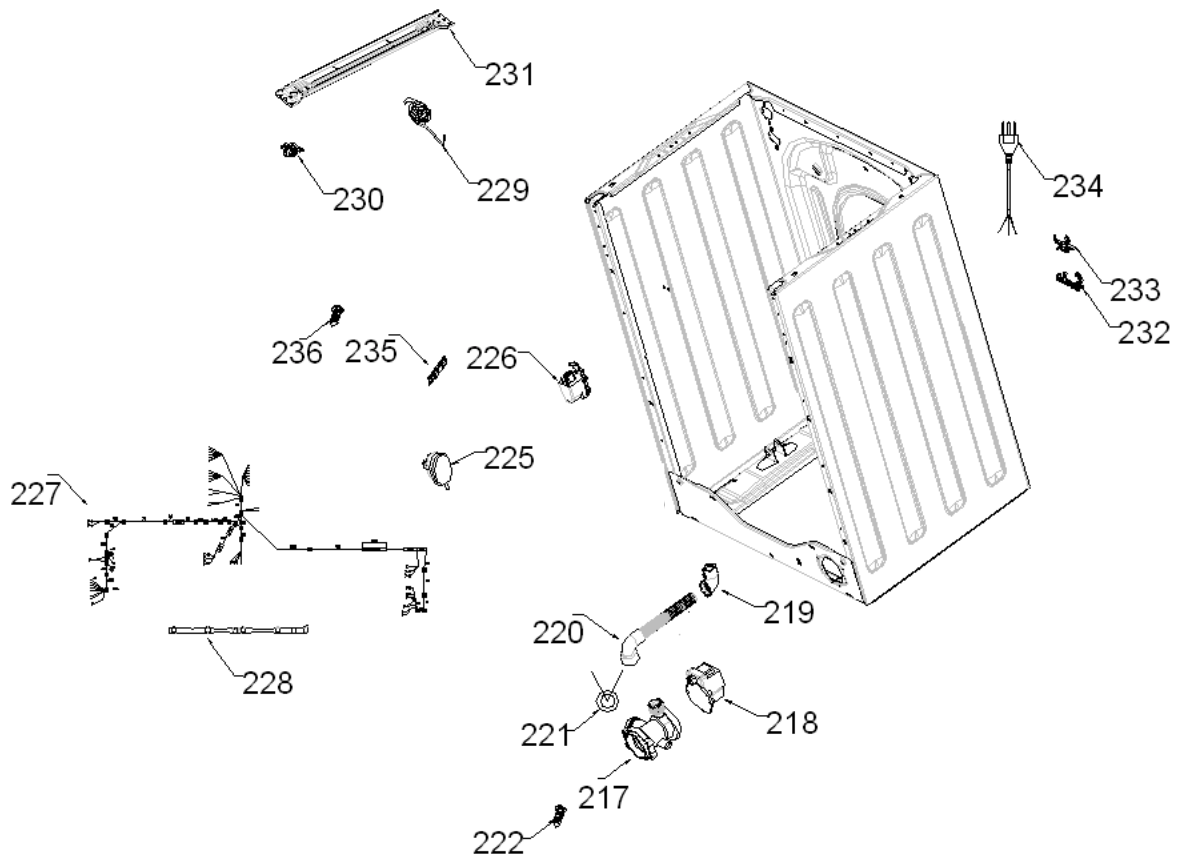
NO	PART NAME	
1	TUB EXIT WITH BELLOW HOSE	1
2	PRESSURE SWITCH WATER RESERVOIR	1
3	PRESSURE SWITCH HOSE	1
4	HOSE HANDCUFFS	1
5	HOSE HANDCUFFS	1
1-2-3-4-5	PRESSURE SWITCH HOSE GROUP	1

FRONT PANEL PARTS



NO	PART NAME	QUANTITY
1	BODY GROUP PAINTED	1
2	UPPER TRAY GROUP	1
3	FRONT PANEL GROUP PAINTED	1
4	PLASTIC KICKPLATE	1
5	ADJUSTABLE FOOT GROUP	4
6	DOOR OUTSIDE PLASTIC	1
7	DOOR GLASS	1
8	DOOR INSIDE PLASTIC	1
9	HOUSING FRAME BELLOW CLIP	1
10	DOOR LOCK	1
12	HINGE	1
13	HINGE BUSHING	1
14	HANDLE	1
15	HANDLE SPRING	1
16	DOOR HANDLE TONGUE PIM	1
17	DOOR LOCK TONGUE	1
18	UPPER TRAY DROP PLASTIC	2
19	MIDDLE SUPPORT BRACKET GROUP	1
20	WATER ENTRY HOSE GROUP	1
21	ADJUSTED FOOT ADJUST STAMP PLS.	4
22	SCREW ST 5,5*13 TS 432	2
23	SCREW ST 4,2*9,5 TS 432	4
24	SCREW ST 4,2*32	1
25	SCREW ST 4,2*16 TS 432	5
26	SCREW ST 4,2*9,5 TS 432	2
27	SCREW ST 4,8*9,5 TS 432	2
28	SCREW ST 3,5*16	7
29	SCREW PT 3,5*12	2
30	SCREW TT M4*8	2
31	SCREW ST 4,2*9,5 TS 432	2
8-28-29-7- 15-16-17- 14-6	DOOR GROUP	1

BODY GROUP PARTS



NO	PART NAME	QUANTITY
217	DRAIN PUMP FILTER GROUP	1
218	DRAIN PUMP	1
219	DRAIN HOSE BODY EXIT PLS	1
220	DRAIN HOSE	1
221	HOSE HANDCUFFS Ø38,8	1
222	SCREW ST 4,2*9,5	4
225	PRESSURE SWITCH	1
226	PARASITE FILTER	1
227	CABLE HARNESS	1
228	CABLE PORTER PLS	1
229	HANGER SPRING	2
230	HANGER SPRING PLS.	2
231	SPRING HANGER SHEETIRON	1
232	DRAIN HOSE AND CABLE HOLDING PLS.	2
233	DRAIN HOSE HOLDING PLS	2
234	POWER CORD GROUP	1
235	PRESSURE SWITCH CARRIER	1
236	SCREW 4.2*9.5	1