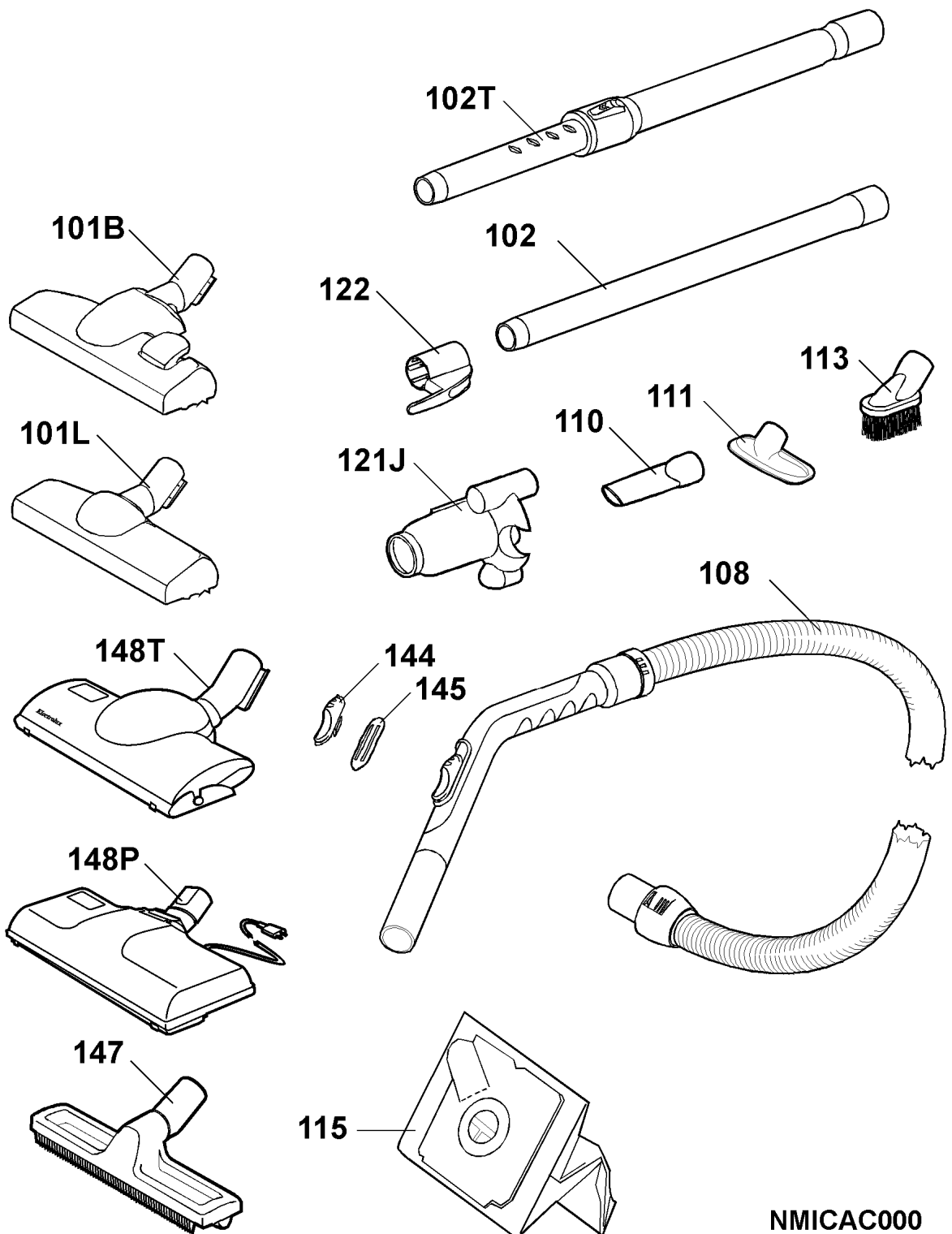


May show more parts than really exists



NMICAC000