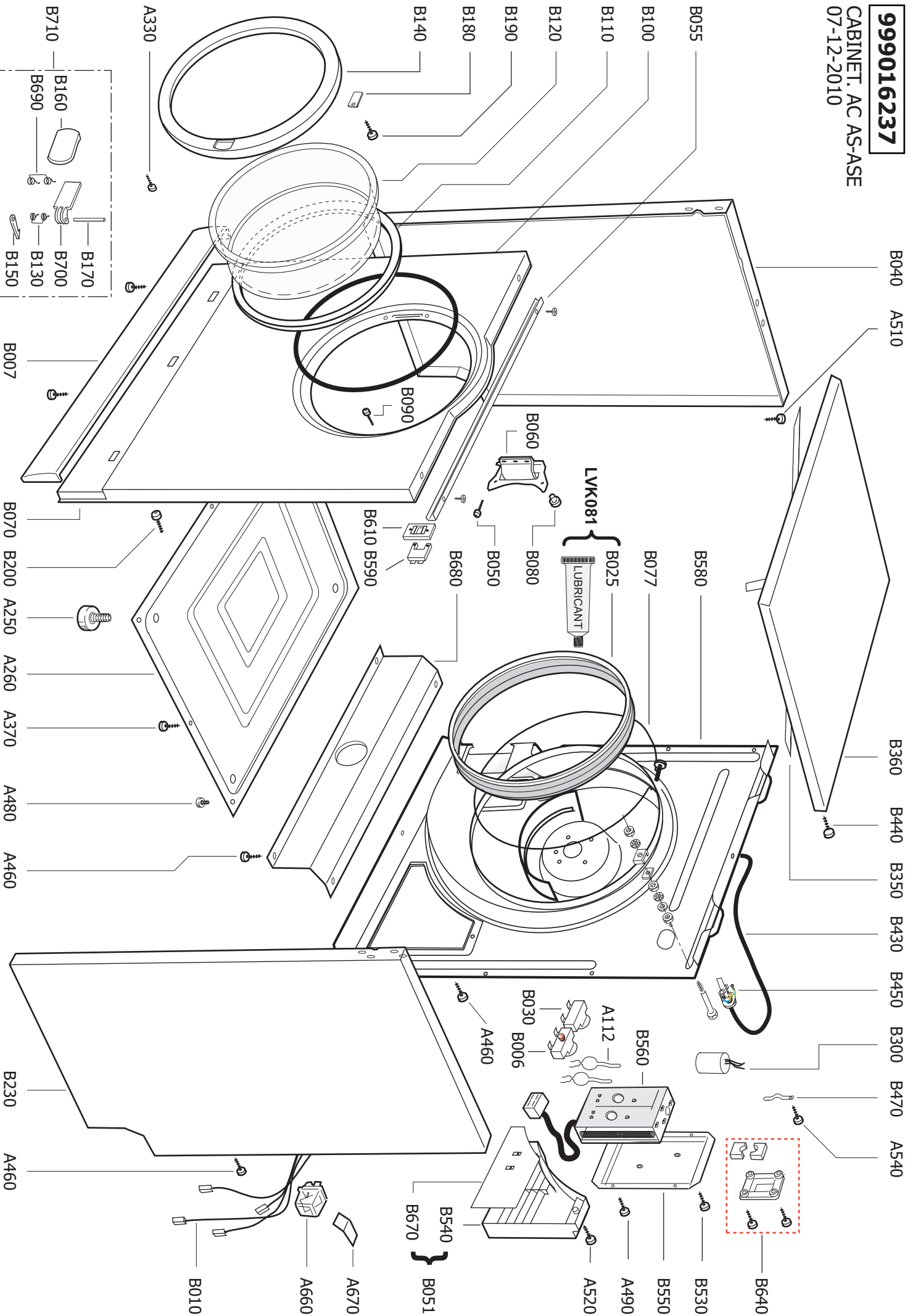
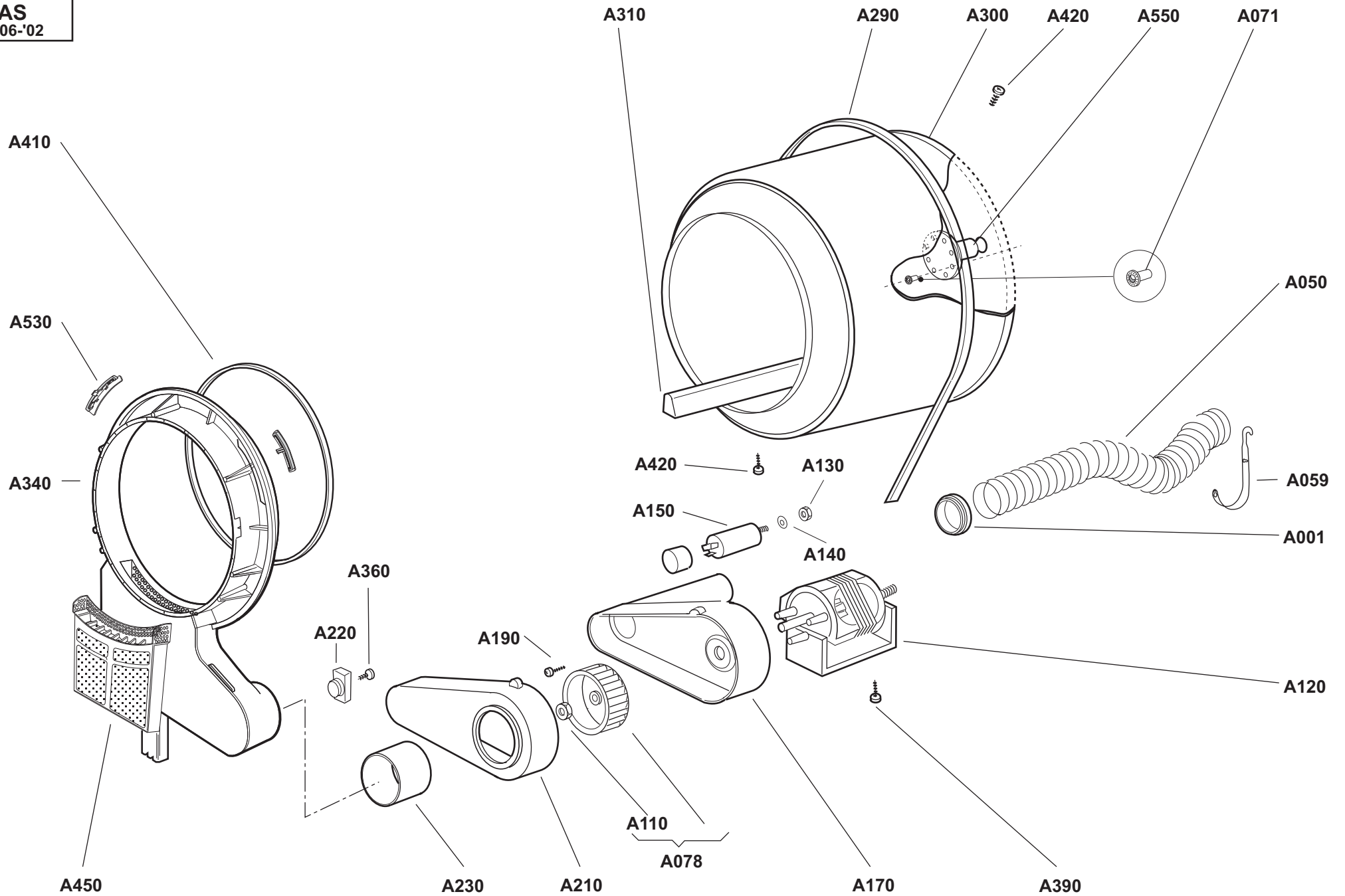


999016237

CABINET, AC AS-ASE
07-12-2010

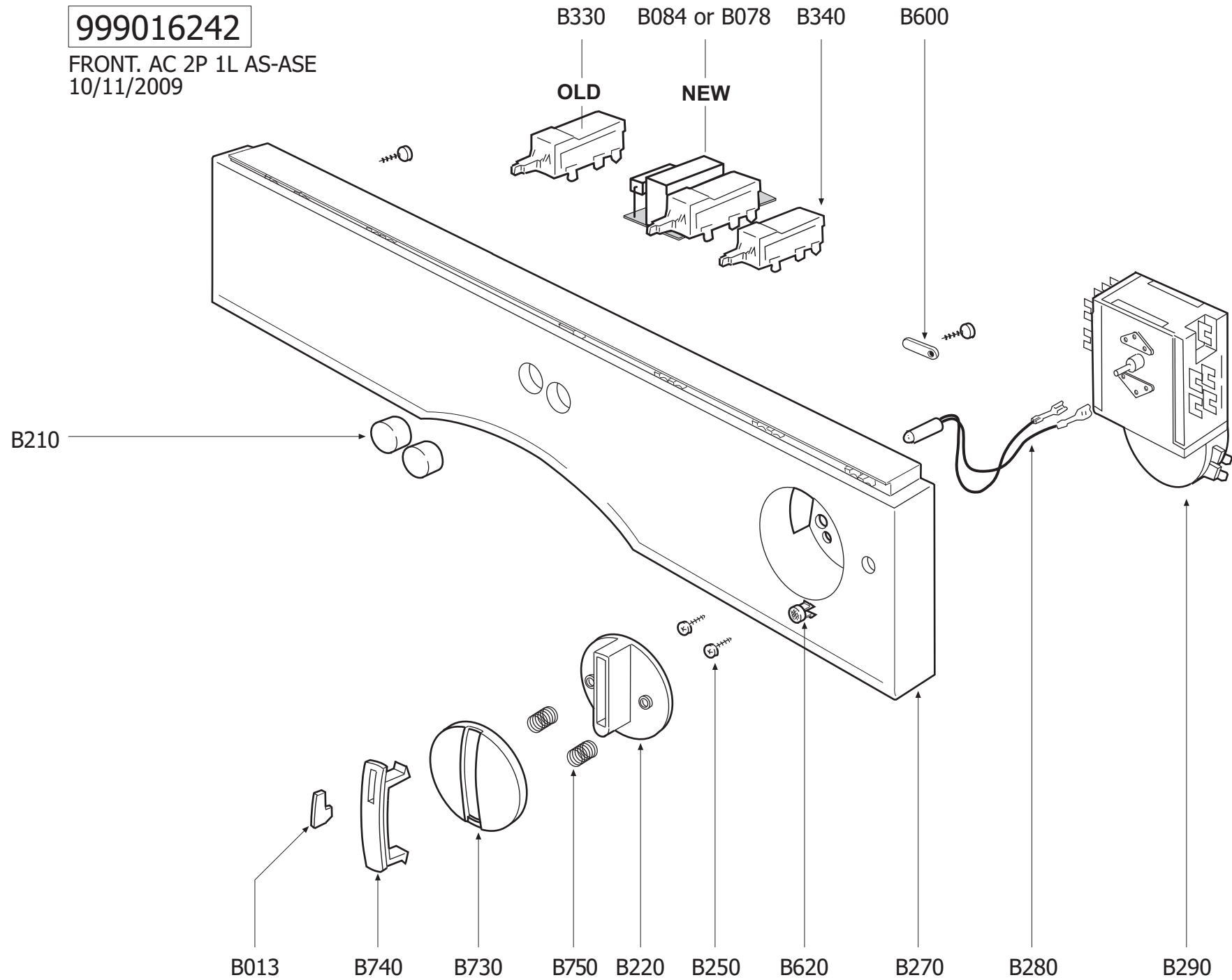


999016239
DRYING GROUP
AS
27-06-'02



999016242

FRONT. AC 2P 1L AS-ASE
10/11/2009



999046305

CABINET. AC AS-ASE
19/05/14

