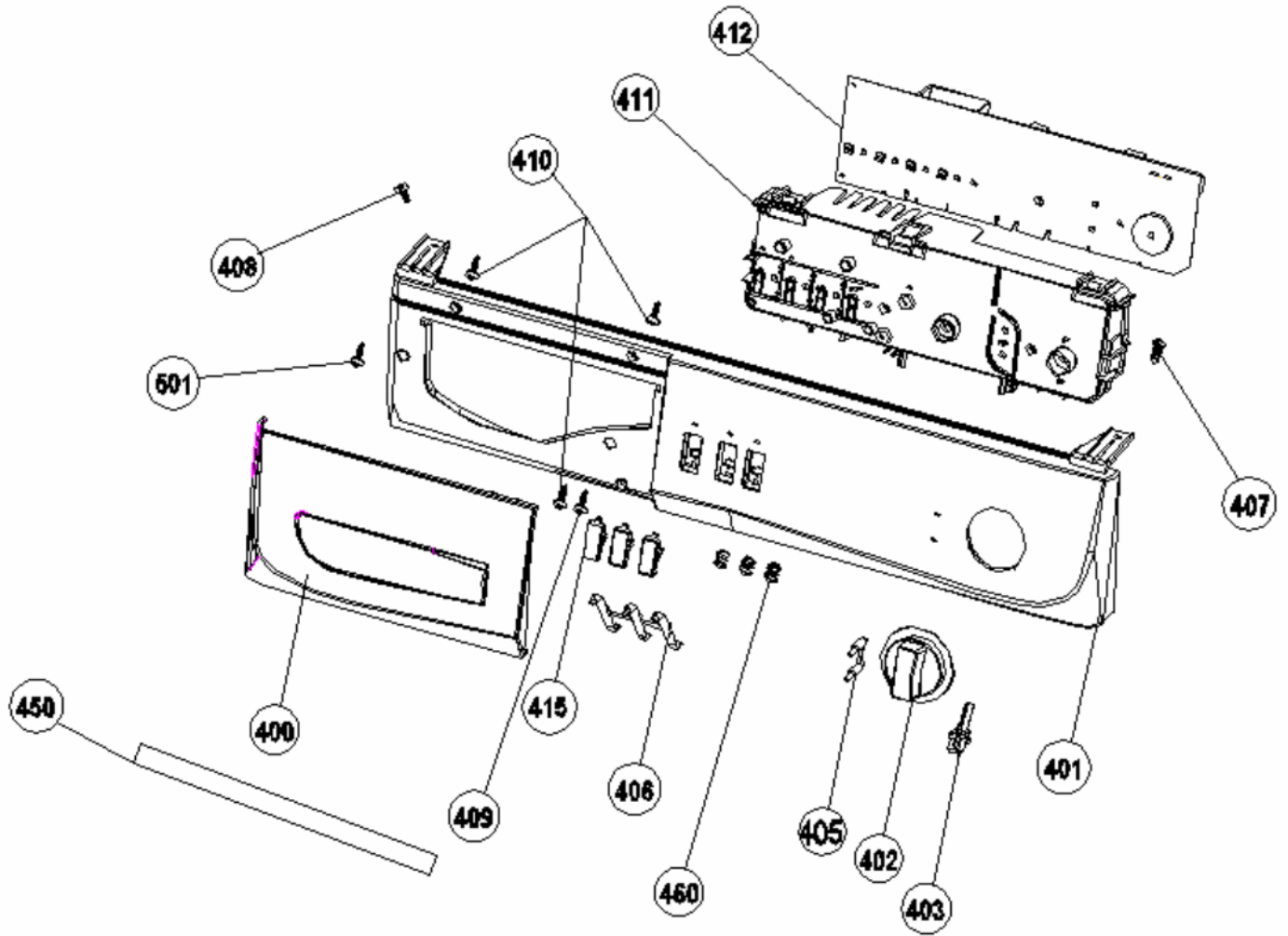
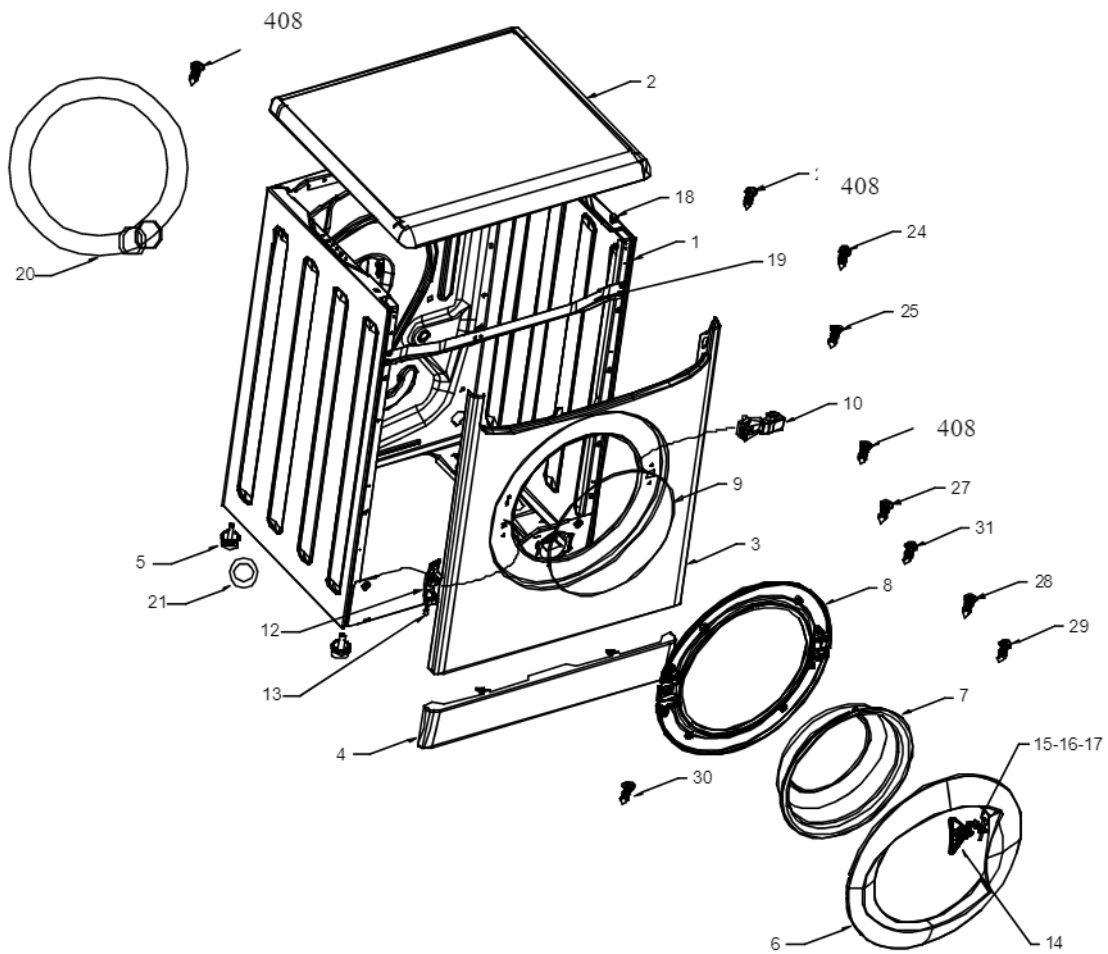


CONTROL PANEL PARTS



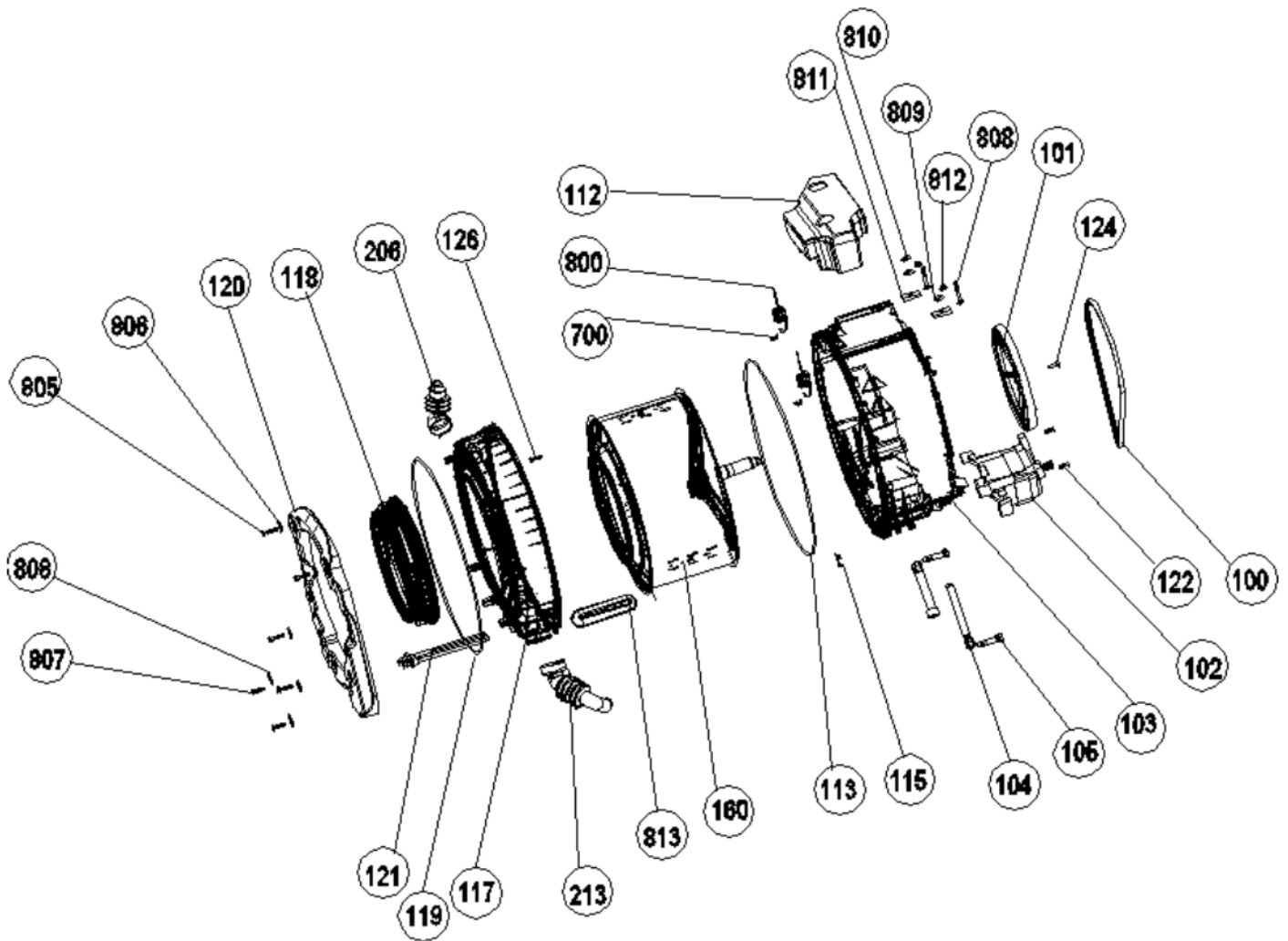
NO	PART NAME	QUANTITY
401	CONTROL PANEL	1
415	QUARTET SELECTION BUTTON GROUP	1

FRONT PANEL PARTS



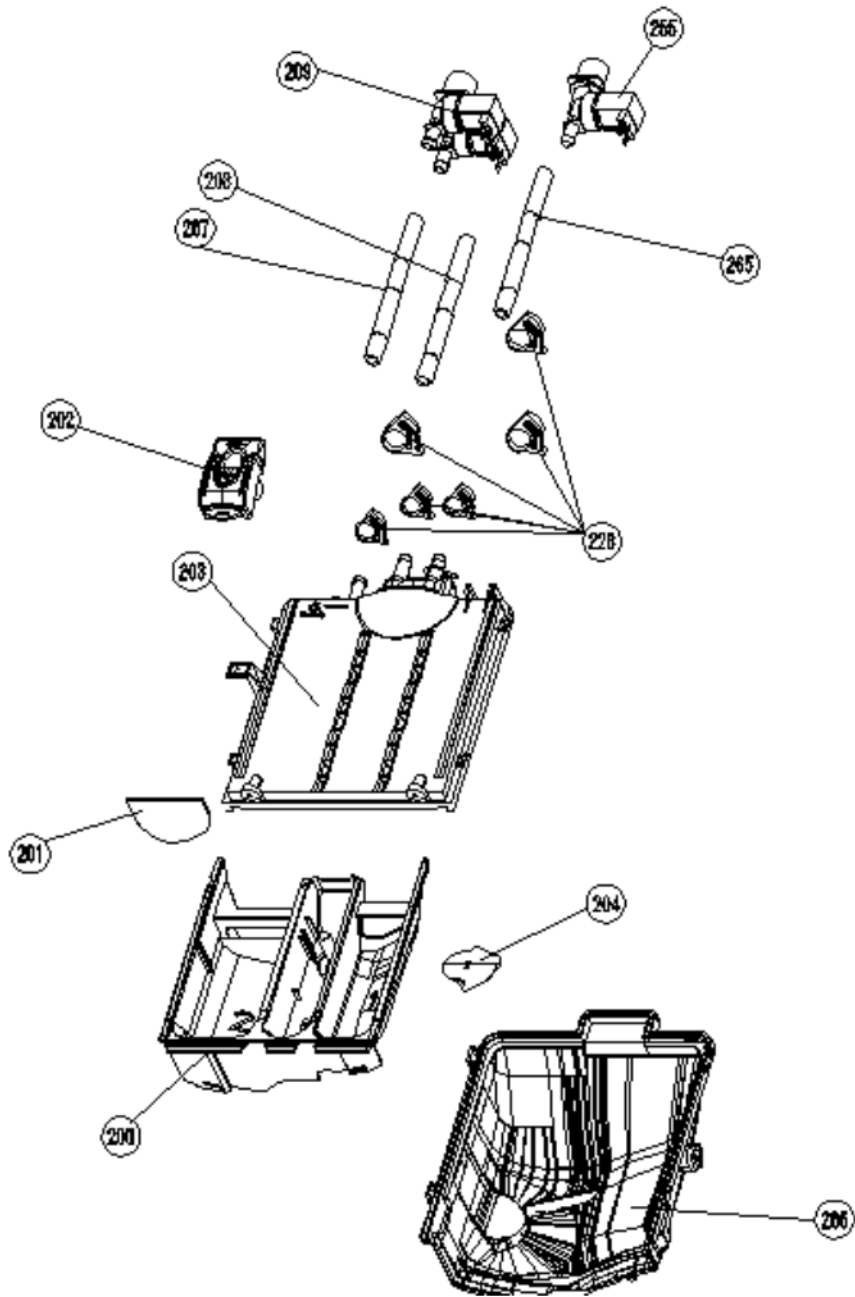
NO	PART NAME	QUANTITY
1	BODY GROUP PAINTED	1
2	UPPER TRAY GROUP	1
3	FRONT PANEL GROUP PAINTED	1
4	PLASTIC KICKPLATE	1
5	ADJUSTABLE FOOT GROUP	4

WASHING GROUP PARTS

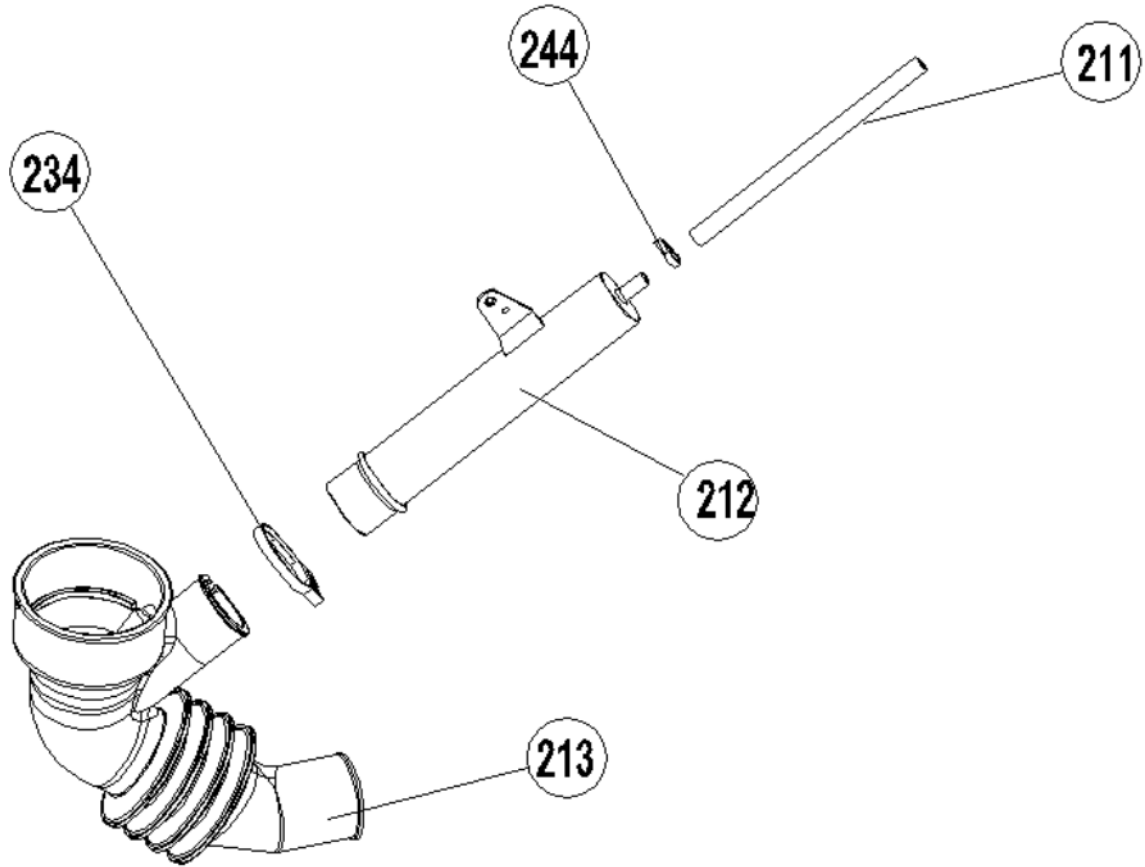


NO	PART NAME	
103	REAR TUB GROUP	1
117	FRONT TUB	1
160	DRUM GROUP	1
102	MOTOR	1
113	TUB SEAL	1
101	DRIVEN PULLEY	1
100	BELT	1
122	SCREW M 8*25	4

DETERGENT DRAWER GROUP



PRESSURE SWITCH HOSE GROUP

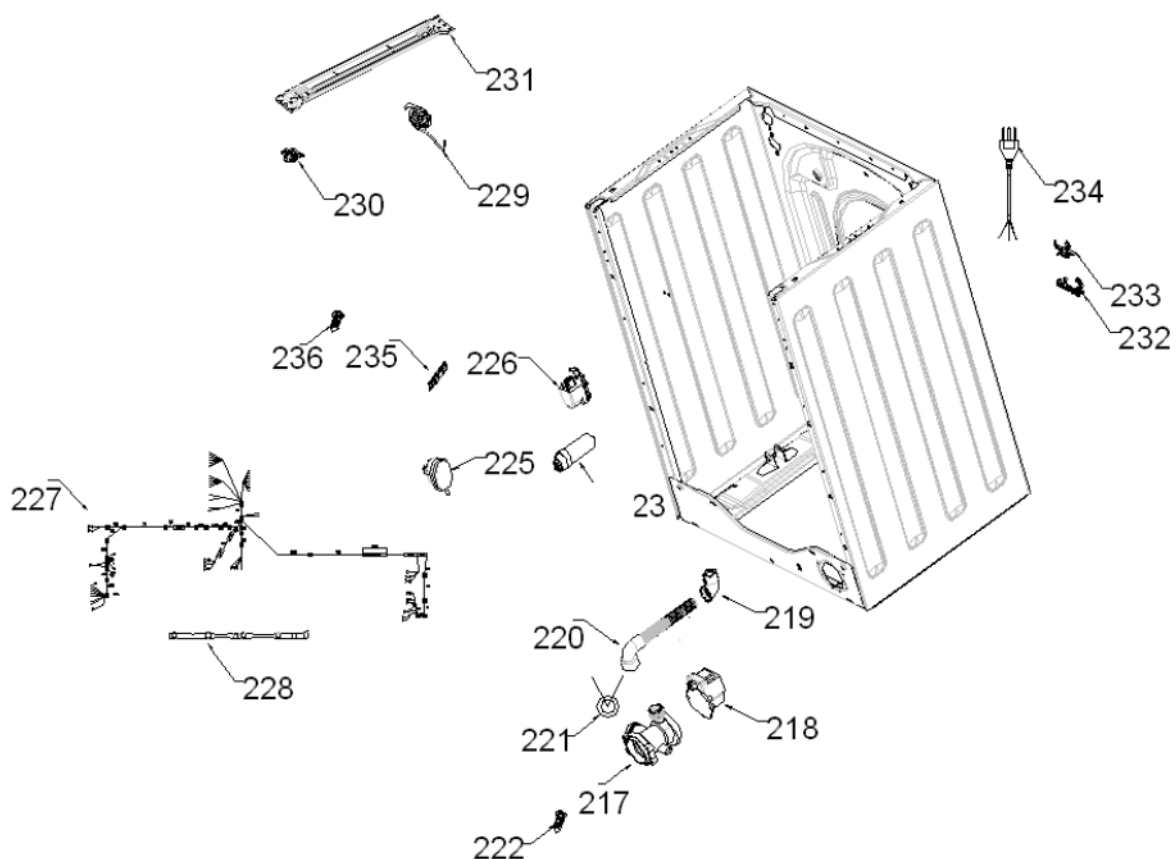


NO	PART NAME	
213	TUB EXIT WITH BELLOW HOSE	1
212	PRESSURE SWITCH WATER RESERVOIR	1
211	PRESSURE SWITCH HOSE	1
234	HOSE HANDCUFFS	1
244	HOSE HANDCUFFS	1
295	PRESSURE SWITCH HOSE GROUP	1

213 212 211 234 244

PRESSURE SWITCH HOSE GROUP

BODY GROUP PARTS



NO	PART NAME	QUANTITY
217	DRAIN PUMP FILTER GROUP	1
218	DRAIN PUMP	1
219	DRAIN HOSE BODY EXIT PLS	1
220	DRAIN HOSE	1
221	HOSE HANDCUFFS Ø38,8	1
222	SCREWS 4 X 20 X 5	4