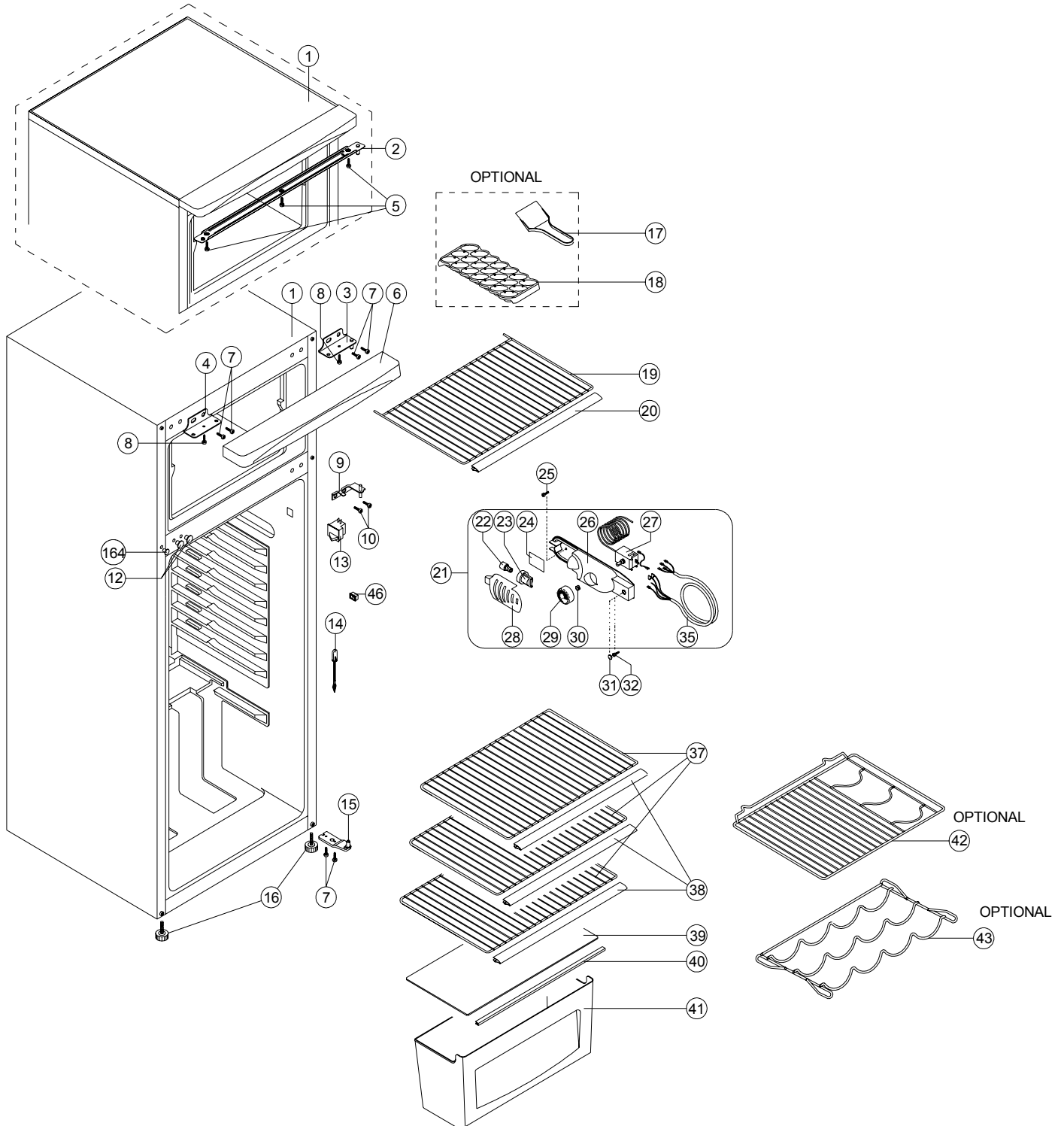


With Plastic Top Table



NOTE : On this exploded view, standard accessories drawings are used. According to your product, some changes may become on the accessories.



VESTEL REFRIGERATOR

INTERIOR PARTS LIST

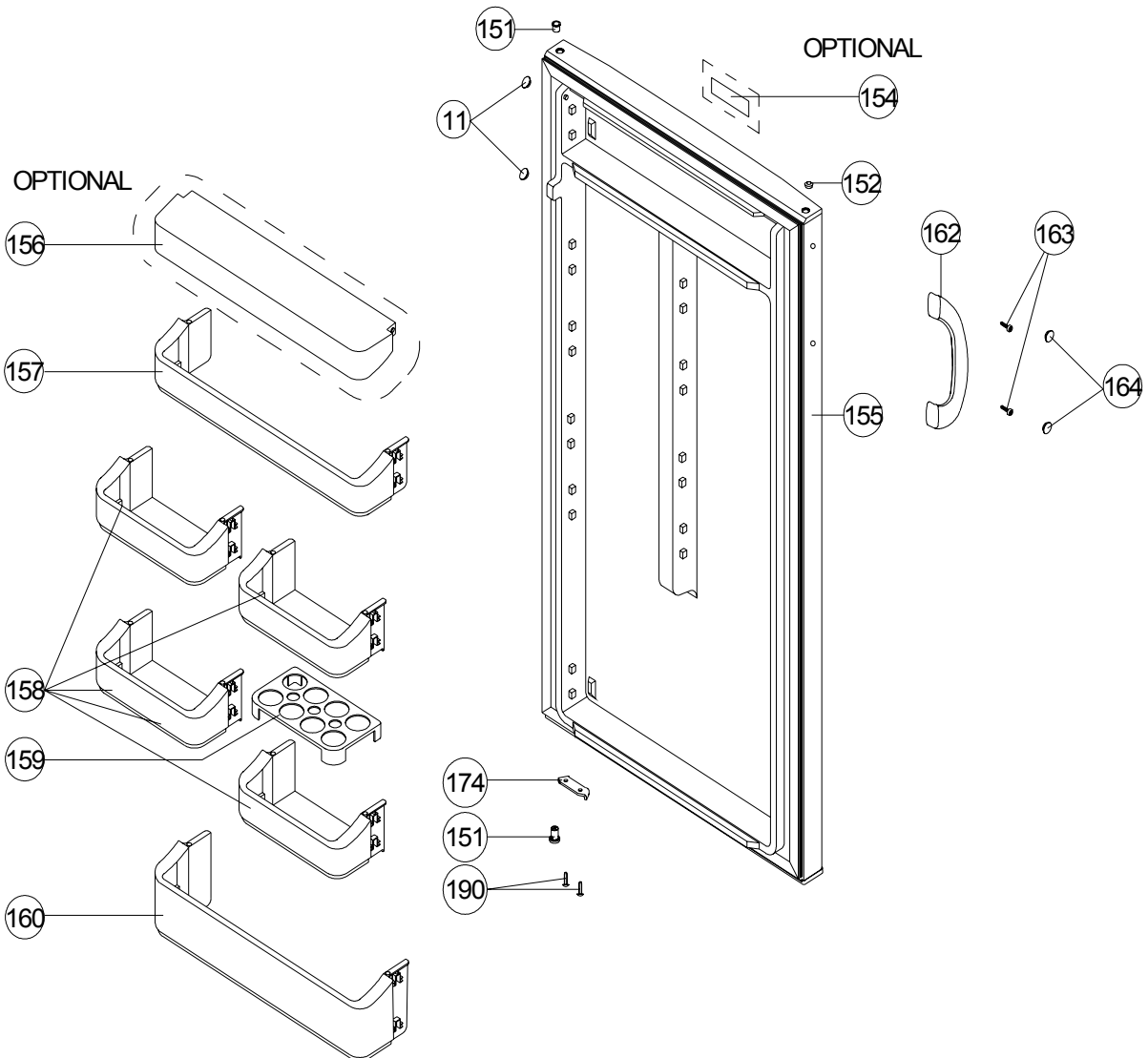
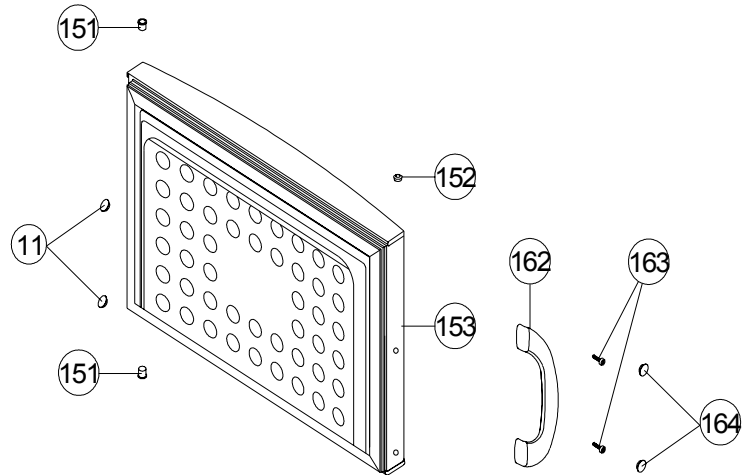
CUSTOMER
SUPPORT

POSITION NUMBER	PART NAME
1	ASSY URT CAB/260
2	TOP HINGE/140 <i>(USED WITH TOP TABLE DESIGN)</i>
3	TOP HINGE/260 (WITH PIN) <i>(USED WITH HEAD PANEL DESIGN)</i>
4	TOP HINGE/260 (WITHOUT PIN) <i>(USED WITH HEAD PANEL DESIGN)</i>
5	SCREW KA 40*8 WN 1412 EJOT <i>(USED WITH TOP TABLE DESIGN)</i>
6	HEAD PANEL/260 <i>(USED WITH HEAD PANEL DESIGN)</i>
7	SCREW TT M5x14 YSB-F
8	SCREW ST 4.2*13 YHB-C <i>(USED WITH HEAD PANEL DESIGN)</i>
9	MIDDLE HINGE PAINTED/260
10	SCREW M5*14 WN 1342-H EJOT DYED
12	MIDDLE HINGE SCREW CAP (BIG)
13	DOOR SWITCH
14	TUNNEL DRAIN PLUG
15	BOTTOM HINGE/140
16	STATIONARY FOOT
17	ICE SCRAPER <i>(OPTIONAL)</i>
18	ICE TRAY <i>(OPTIONAL)</i>
19	F COMPARTMENT SHELF/260 (W/O TRIM)
20	SHELF TRIM F/260-2
21	THERMOSTAT BOX ASSY/260 (WITH SWITCH)
22	LAMP (E14/220-240V/15W)
23	LAMP HOLDER-E14
24	HEAT REFLECTOR FOIL/140
25	SCREW KA 40*13 YSB-R-C-INOX
26	THERMOSTAT BOX/140 (SWITCH)
27	THERMOSTAT
28	LAMP COVER/140
29	THERMOSTAT KNOB SRGF/260 (NUMBER)
30	THERMOSTAT KNOB SPRING
31	THERMOSTAT BOX SCREW CAP/140
32	SCREW KA 40*18 YSB-C-INOX
35	WIRING HARNESS/THERMOSTAT/260
37	R COMPARTMENT SHELF/260
38	SHELF TRIM R/140
39	CRISPER COVER/140
40	CRISPER COVER TRIM/140
41	CRISPER/140
42	WINE SHELF/260 (ONE BOTTLE) <i>(OPTIONAL)</i>
43	WINE SHELF/260 (FOUR BOTTLE) <i>(OPTIONAL)</i>
46	HEATER SWITCH/260SN <i>(USED WITH SN CLIMATE TYPE)</i>
164	DOOR HANDLE SCREW CAP

ABBREVIATIONS :

ASSY : ASSEMBLY
 URT : URETHANE
 CAB : CABINET
 R : REFRIGERATOR
 F : FREEZER
 W/O : WITHOUT

STANDARD DESIGN



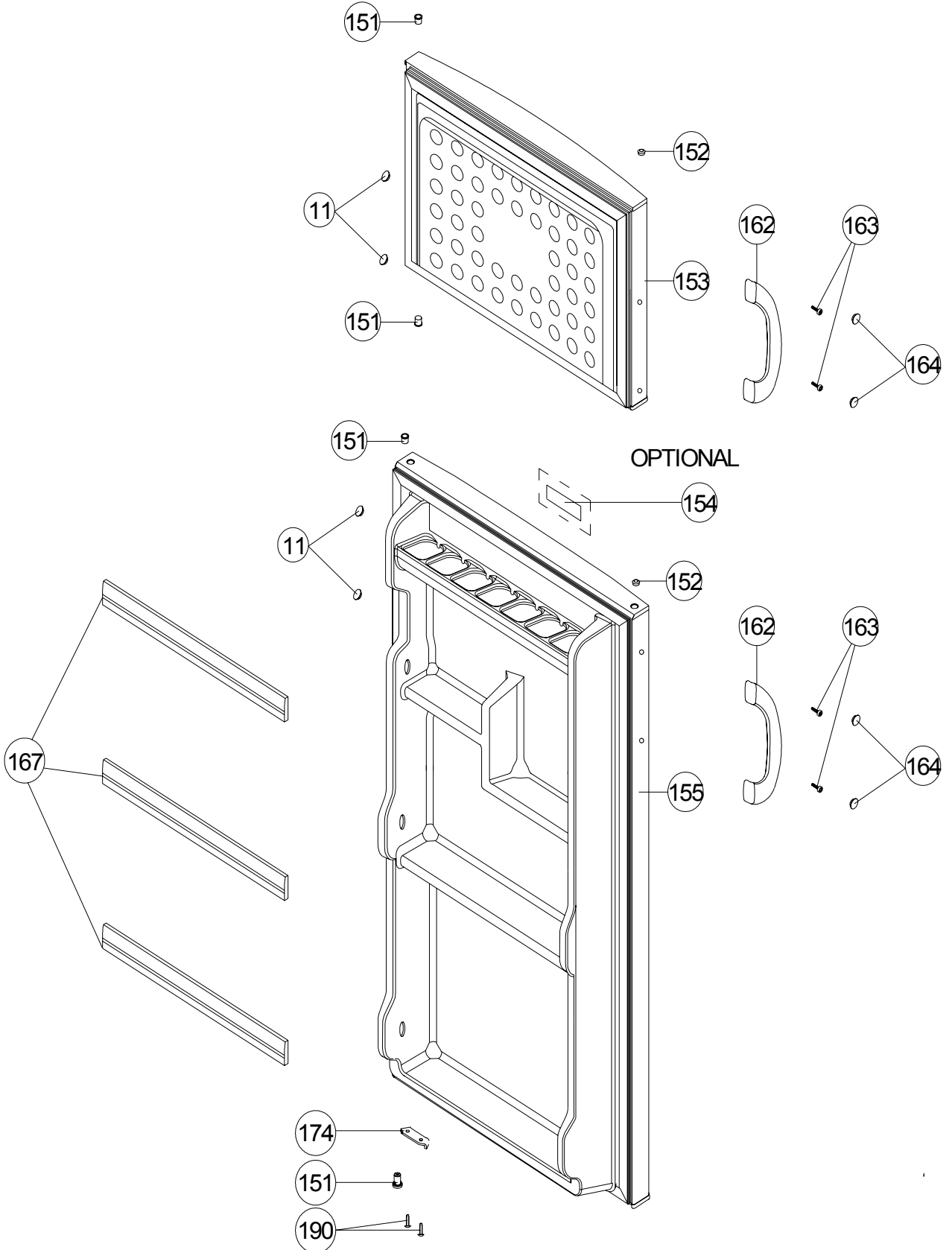
	VESTEL REFRIGERATOR	CUSTOMER SUPPORT
	DOOR ASSY. PARTS LIST-1	

POSITION NUMBER	PART NAME
11	MIDDLE HINGE SCREW CAP (SMALL)
151	BUSHING/345P
152	BUSHING CAP
153	F DOOR ASSY/260K
154	LOGO <i>(OPTIONAL)</i>
155	R DOOR ASSY/260K
156	SHELF COVER/140 <i>(OPTIONAL)</i>
157	BOTTLE SHELF/140
158	EGG SHELF/140
159	EGG HOLDER/140
160	BOTTLE SHELF/260
162	HANDLE CLASSIC
163	SCREW TT M4*17 OZEL2-C
164	DOOR HANDLE SCREW CAP
174	R/D BOTTOM STOPPER
190	SCREW 35*12 YSB-R-C

ABBREVIATIONS :

ASSY : ASSEMBLY
R : REFRIGERATOR
F : FREEZER

FIX DOOR DESIGN



	VESTEL REFRIGERATOR	CUSTOMER SUPPORT
	DOOR ASSY. PARTS LIST-2	

POSITION NUMBER	PART NAME
11	MIDDLE HINGE SCREW CAP (SMALL)
151	BUSHING/345P
152	BUSHING CAP
153	F DOOR ASSY/260K FIX
154	LOGO (<i>OPTIONAL</i>)
155	R DOOR ASSY/260K FIX
162	HANDLE CLASSIC
163	SCREW TT M4*17 OZEL2-C
164	DOOR HANDLE SCREW CAP
167	DOOR LINER TRIM/260
174	R/D BOTTOM STOPPER
190	SCREW 35*12 YSB-R-C

ABBREVIATIONS :

ASSY : ASSEMBLY
R : REFRIGERATOR
F : FREEZER

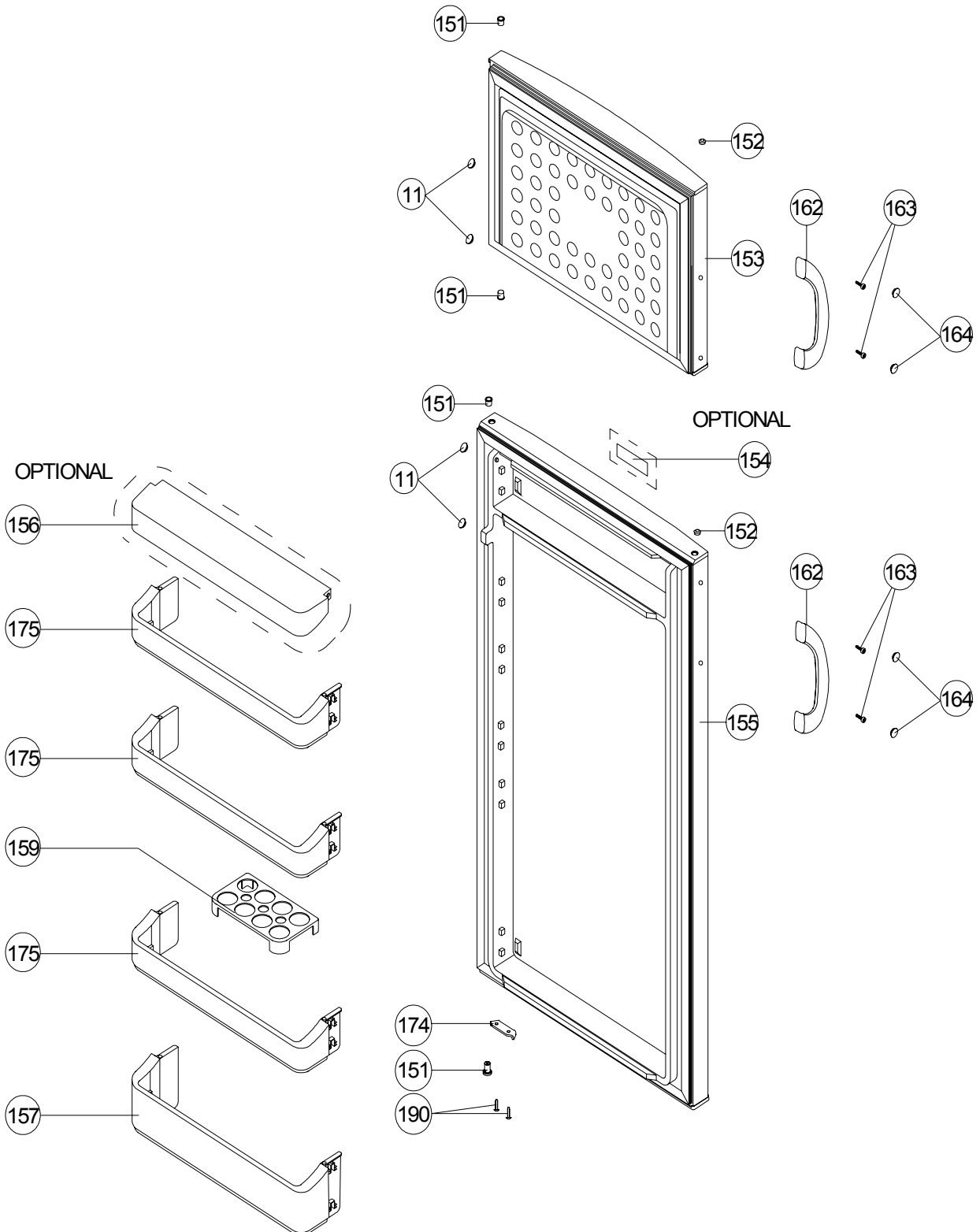


VESTEL REFRIGERATOR

DOOR ASSY. PARTS-3

CUSTOMER
SUPPORT

FULL WIDTH DESIGN





VESTEL REFRIGERATOR

**CUSTOMER
SUPPORT**

DOOR ASSY. PARTS LIST-3

POSITION NUMBER	PART NAME
11	MIDDLE HINGE SCREW CAP (SMALL)
151	BUSHING/345P
152	BUSHING CAP
153	F DOOR ASSY/260K
154	LOGO (<i>OPTIONAL</i>)
155	R DOOR ASSY/260K FULL WIDTH
156	SHELF COVER/140 (<i>OPTIONAL</i>)
157	BOTTLE SHELF/140
158	EGG SHELF/140
159	EGG HOLDER/140
162	HANDLE CLASSIC
163	SCREW TT M4*17 OZEL2-C
164	DOOR HANDLE SCREW CAP
174	R/D BOTTOM STOPPER
175	CHEESE/BUTTER SHELF
190	SCREW 35*12 YSB-R-C

ABBREVIATIONS :

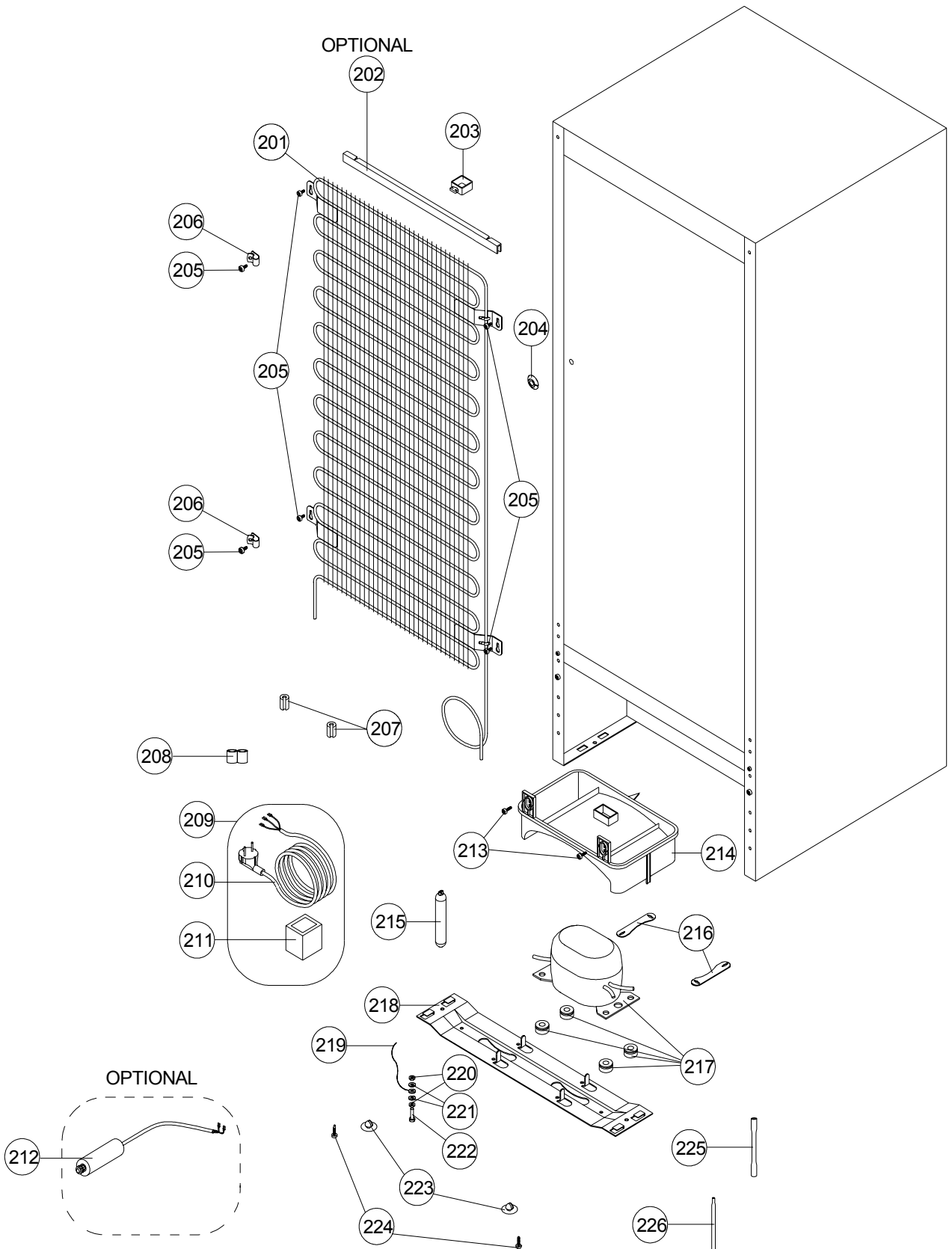
ASSY : ASSEMBLY
R : REFRIGERATOR
F : FREEZER




VESTEL REFRIGERATOR

CUSTOMER
SUPPORT

UNIT PARTS



	VESTEL REFRIGERATOR	CUSTOMER SUPPORT
	UNIT PARTS LIST	

POSITION NUMBER	PART NAME
201	MAIN CONDENSER/260
202	CONDENSER TRIM/140 (OPTIONAL)
203	SPACER
204	PLUG,CABLE HARNESS
205	SCREW 4.8*13 DIN7981 TYSB W.O. WASHER
206	CABLE HOLDER / 140
207	ANTIVIBRATION (CONDENSER)
208	CONDENSER HOLDER (2)
209	POWER CORD GR
210	POWER CORD
211	OVER LOAD RELAY
212	CAPACITOR (OPTIONAL)
213	SCREW 4.2*9.5 DIN 7981 YSB
214	EVAPORATING TRAY/260
215	DRYER (XH9,7.5GR)
216	COMPR. FIXING BRACKET
217	COMPRESSOR
218	COMPR. BASEMENT/140
219	GROUNDING WIRE
220	NUT M4*3.2 DIN 934 ZNK
221	WASHER 4.3*8*0.9 DIN 6798 ZNK
222	SCREW M4*16 DIN 933 ZNK
223	COMPR. BASEMENT FOOT/140
224	SCREW KA 50*14 WN 1412 EJOT
225	SERVICE TUBE (120*6*0,75)
226	DRYER VACUUM TUBE