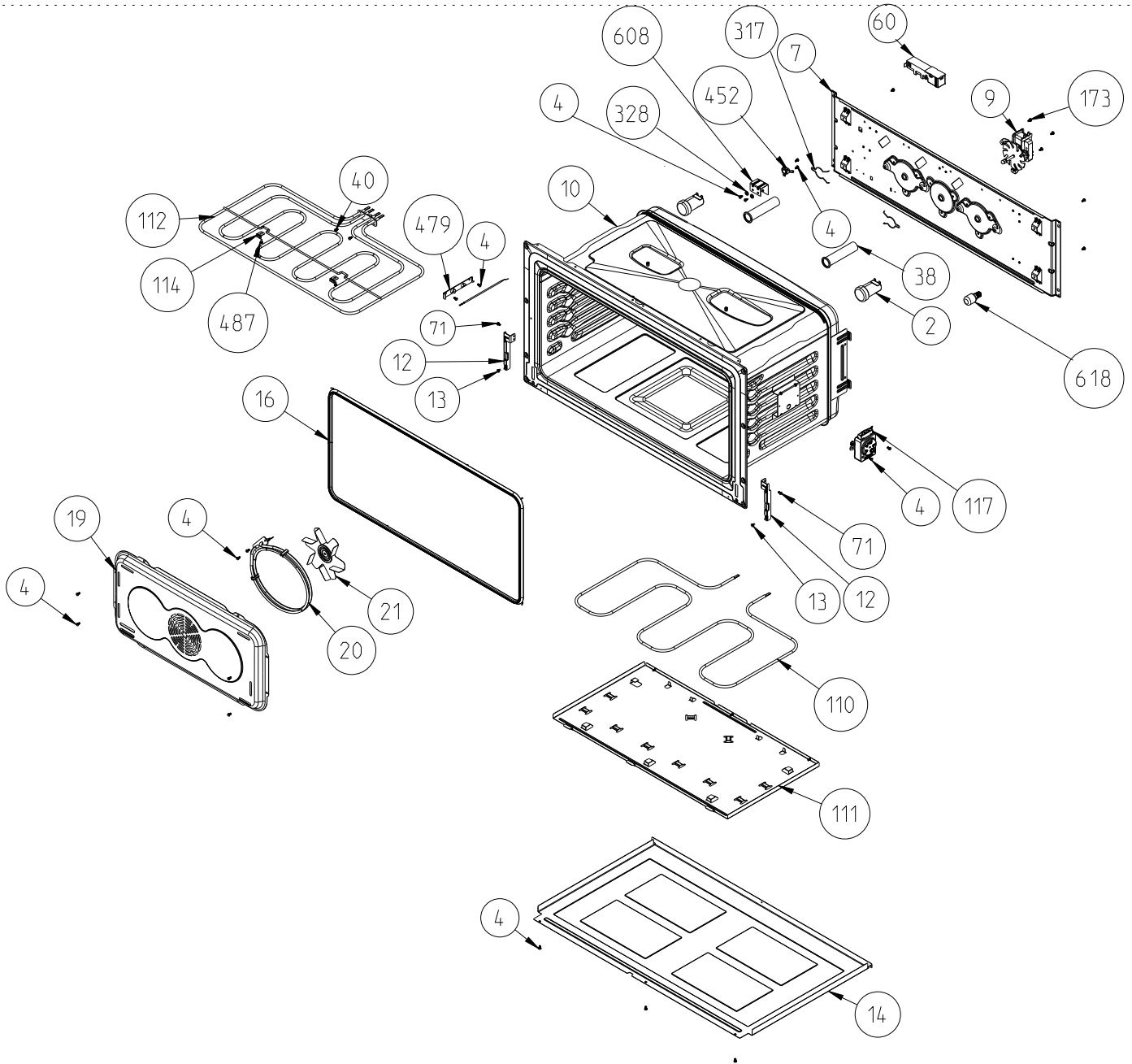


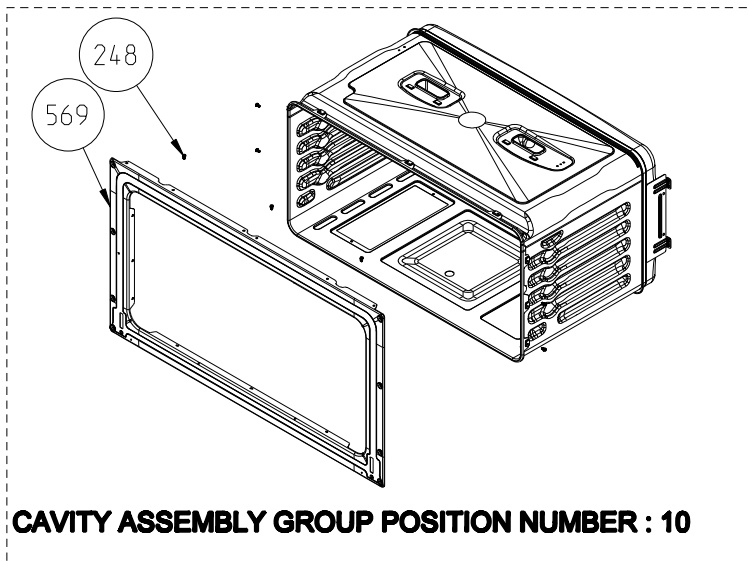
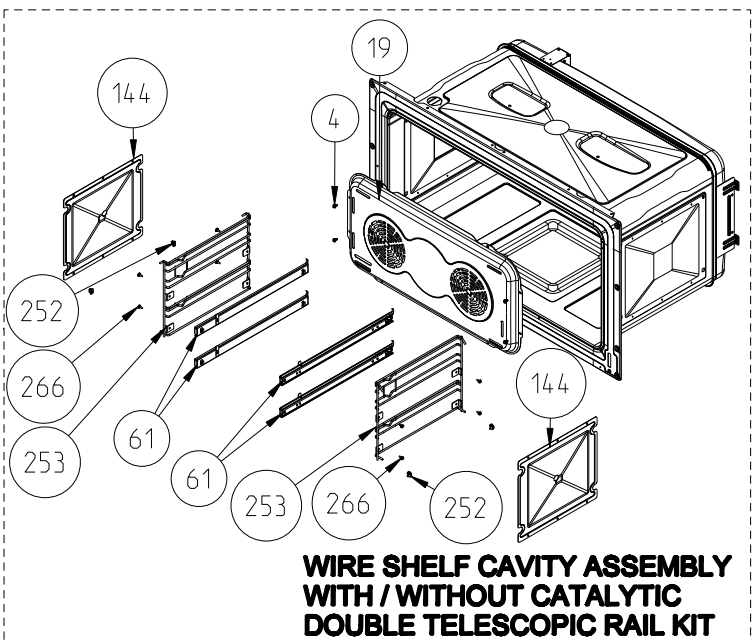
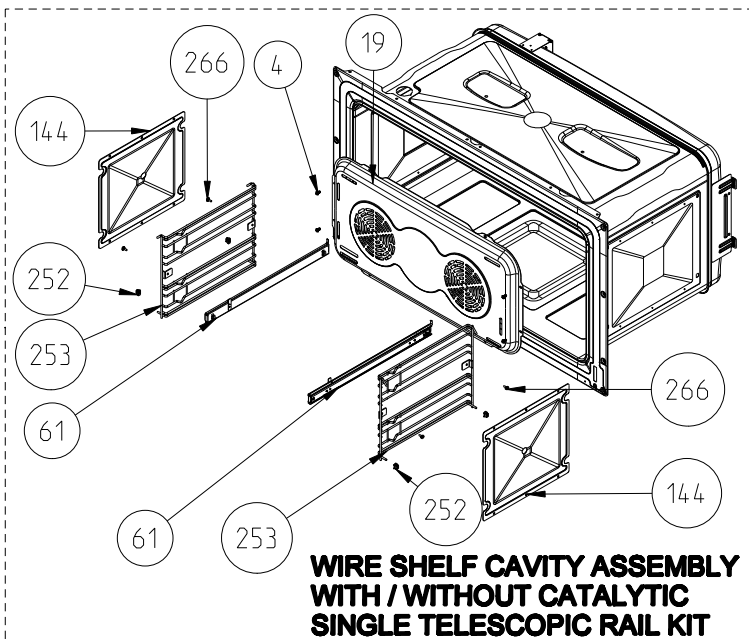
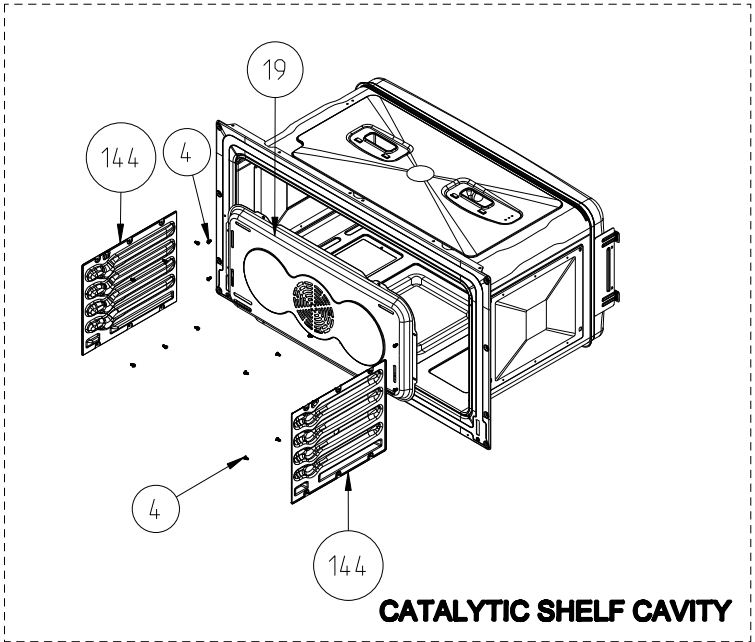
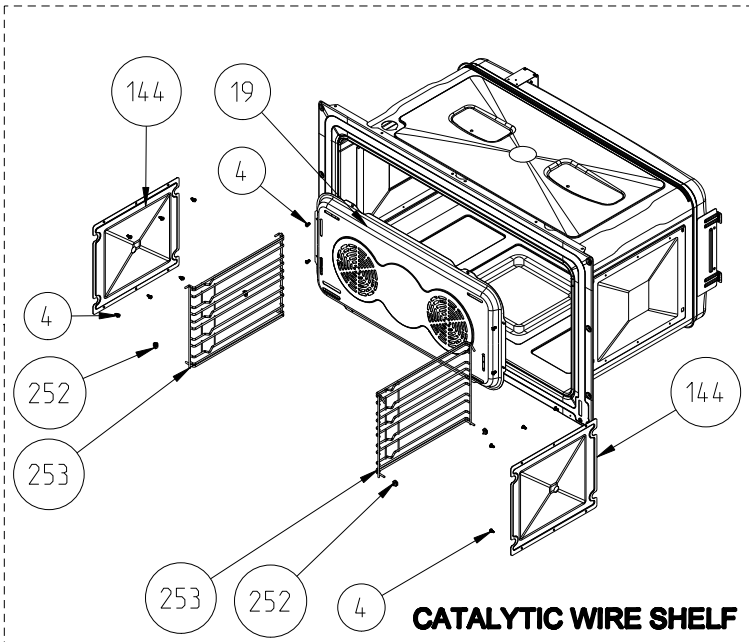
90 CM FREE STANDING COMBINE COOKER CAVITY ASSEMBLY



ELECTRIC GRILL CAVITY ASSEMBLY

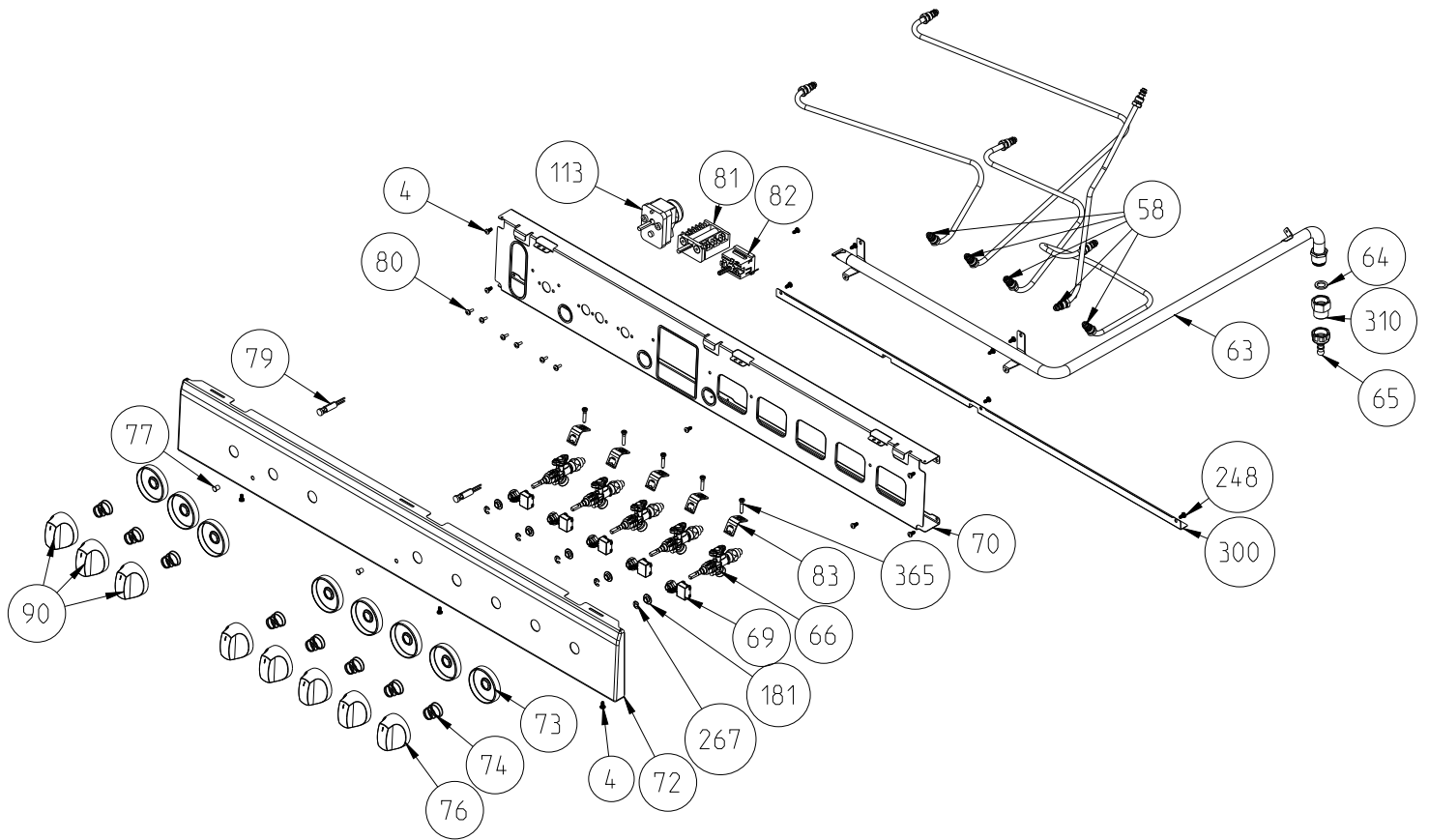
"The exploded views given in this document are generic. They include all possible versions of the product. For specific part codes, please refer to the bom list of regarding model."

90 CM FREE STANDING COOKER CAVITY ASSEMBLY

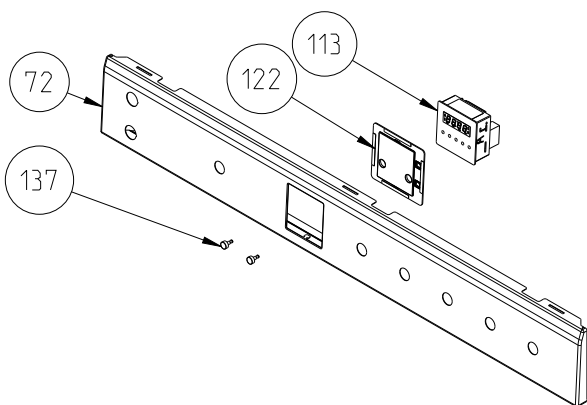


"The exploded views given in this document are generic. They include all possible versions of the product. For specific part codes, please refer to the bom list of regarding model."

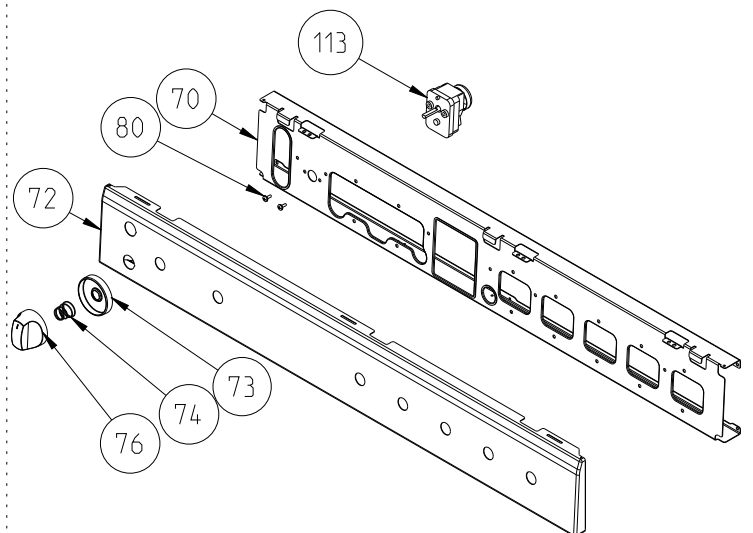
90 CM FREE STANDING COMBINE COOKER CONTROL PANELS



5 GAS OVEN ELECTRIC MECHANIC TIMER CONTROL PANEL

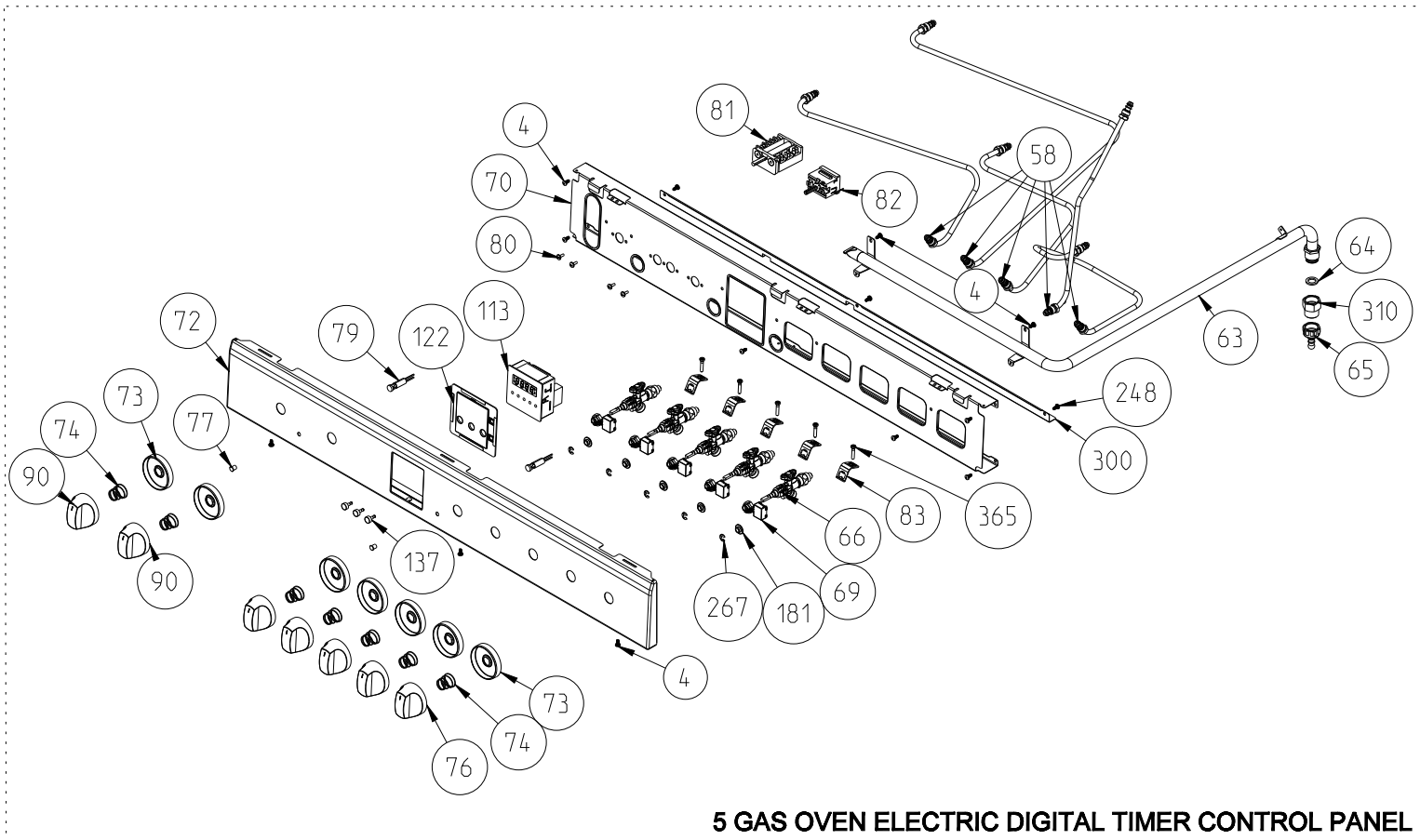


DIGITAL TIMER (OPTIONAL)



MECHANIC TIMER (OPTIONAL)

90 CM FREE STANDING COMBINE COOKER CONTROL PANELS

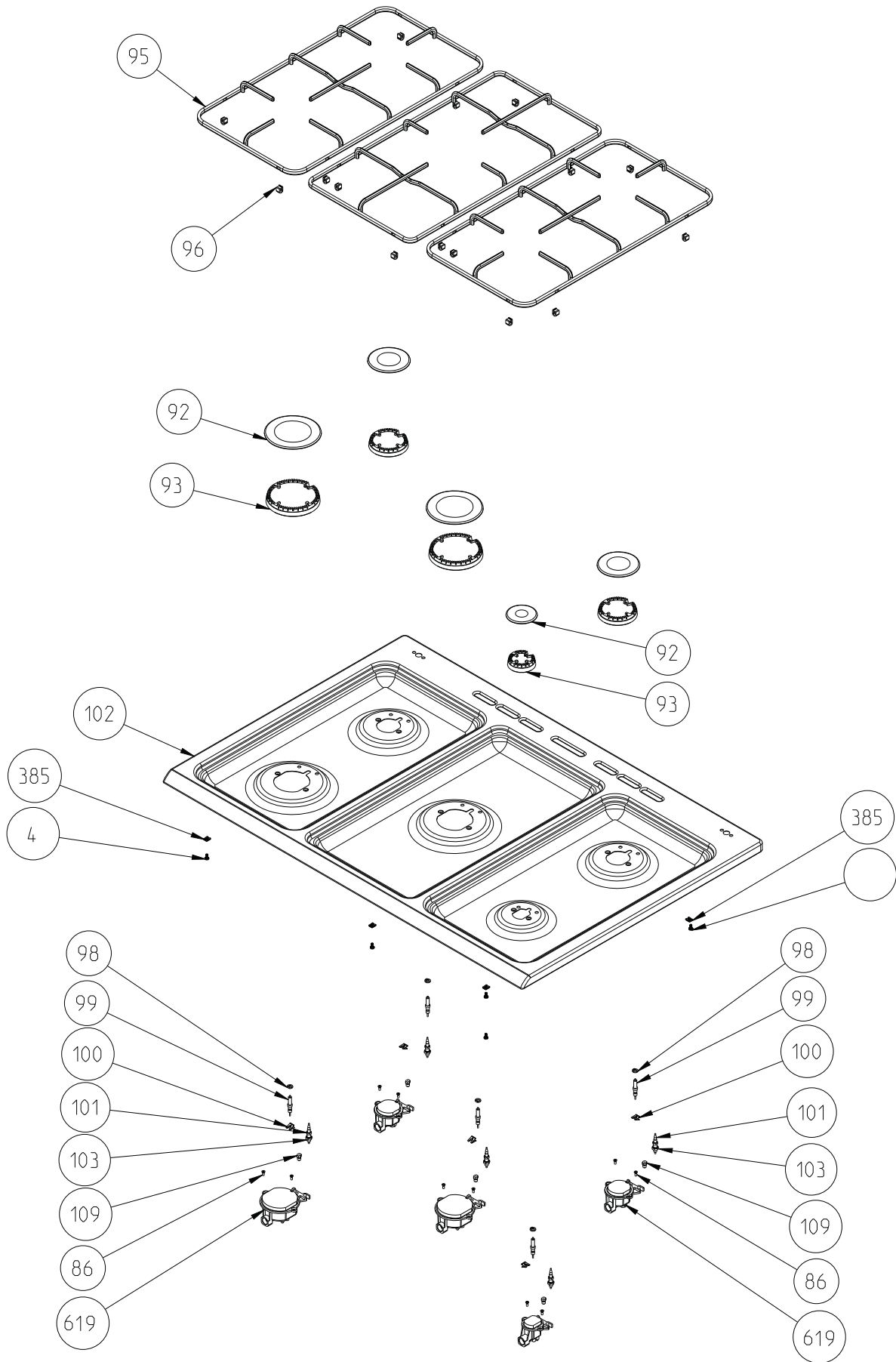


5 GAS OVEN ELECTRIC DIGITAL TIMER CONTROL PANEL

"The exploded views given in this document are generic. They include all possible versions of the product. For specific part codes, please refer to the bom list of regarding model."

13 july 2015

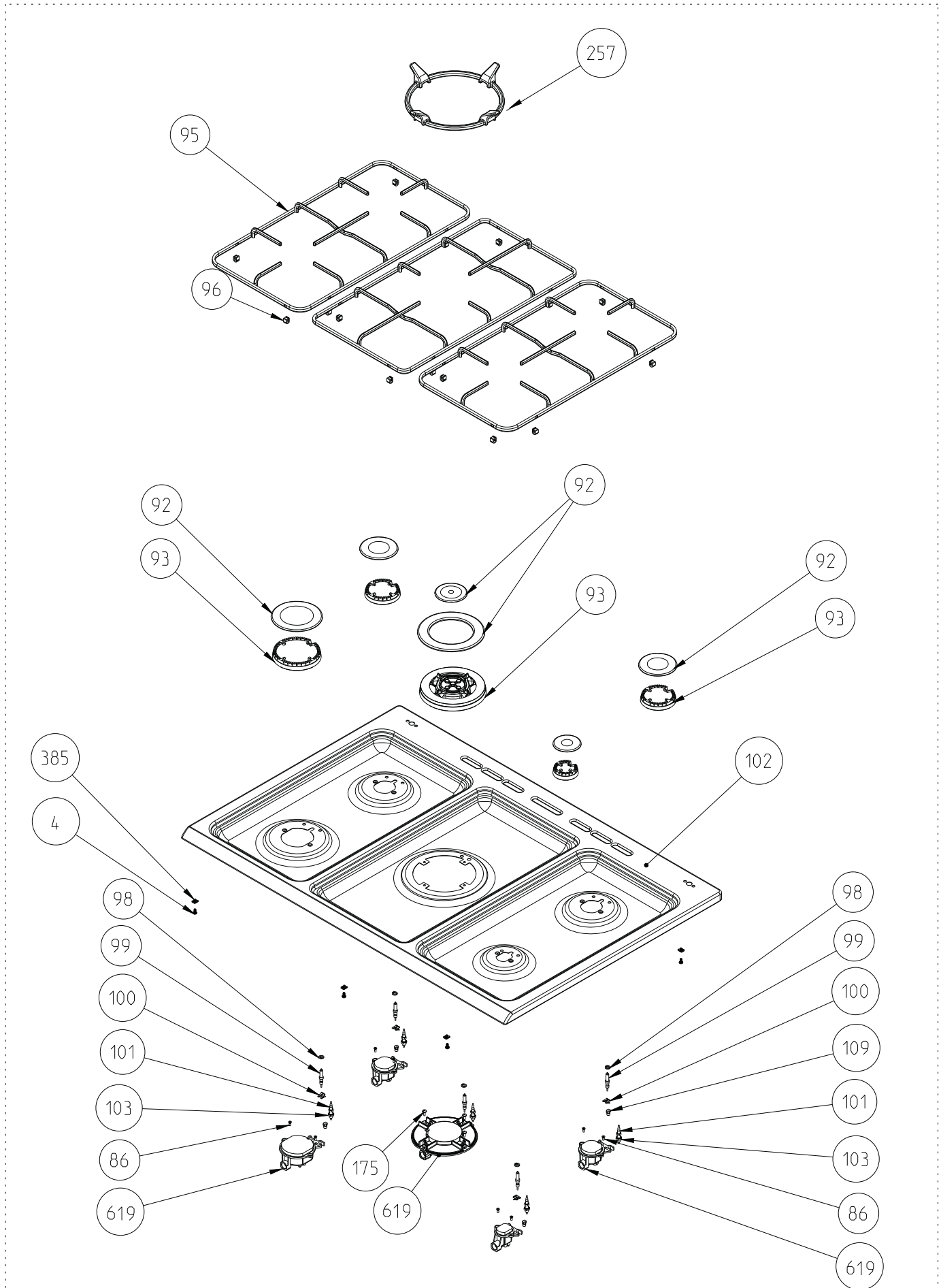
90 CM FREE STANDING COOKER COOKTOP ASSEMBLY



**5 GAS
COOKTOP ASSEMBLY**

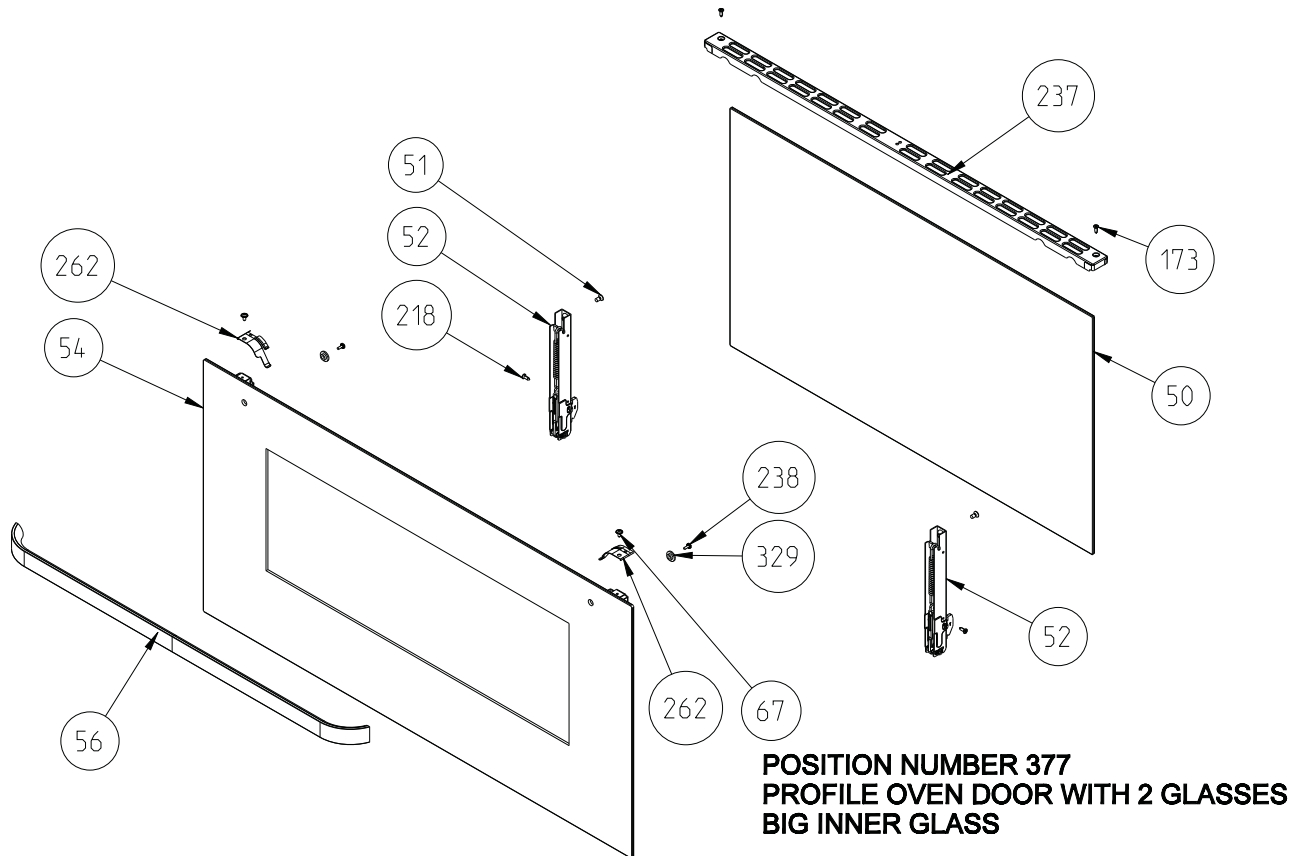
"The exploded views given in this document are generic. They include all possible versions of the product. For specific part codes, please refer to the bom list of regarding model."

90 CM FREE STANDING COOKER COOKTOP ASSEMBLY

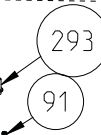
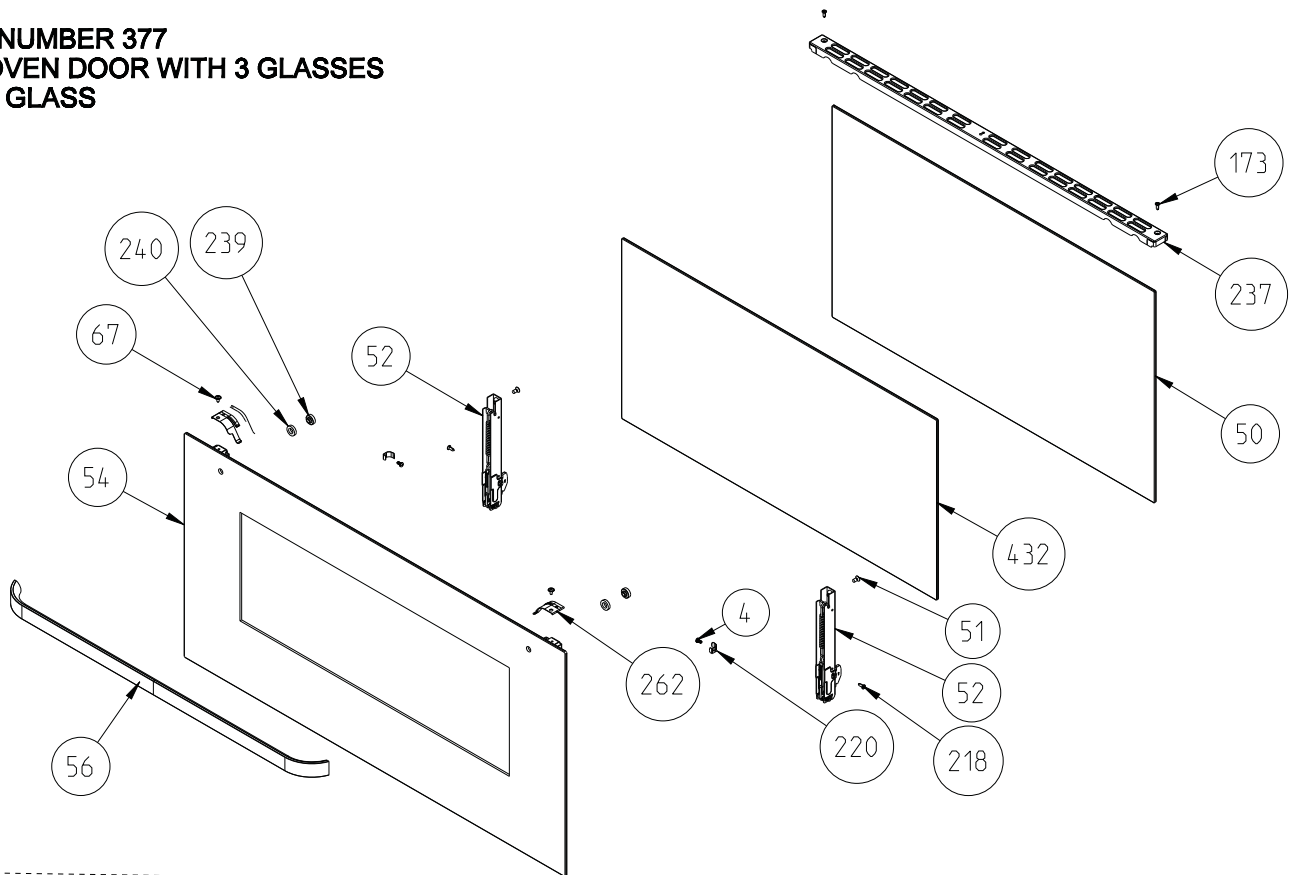


"The exploded views given in this document are generic. They include all possible versions of the product. For specific part codes, please refer to the bom list of regarding model."

90 CM FREE STANDING COOKER OVEN DOOR ASSEMBLY



POSITION NUMBER 377 PROFILE OVEN DOOR WITH 3 GLASSES BIG INNER GLASS

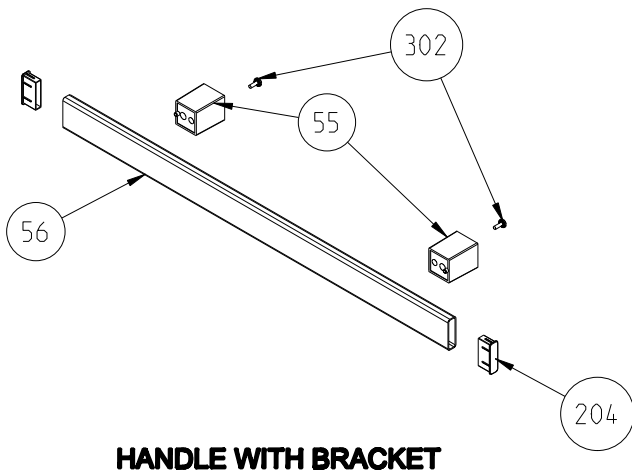
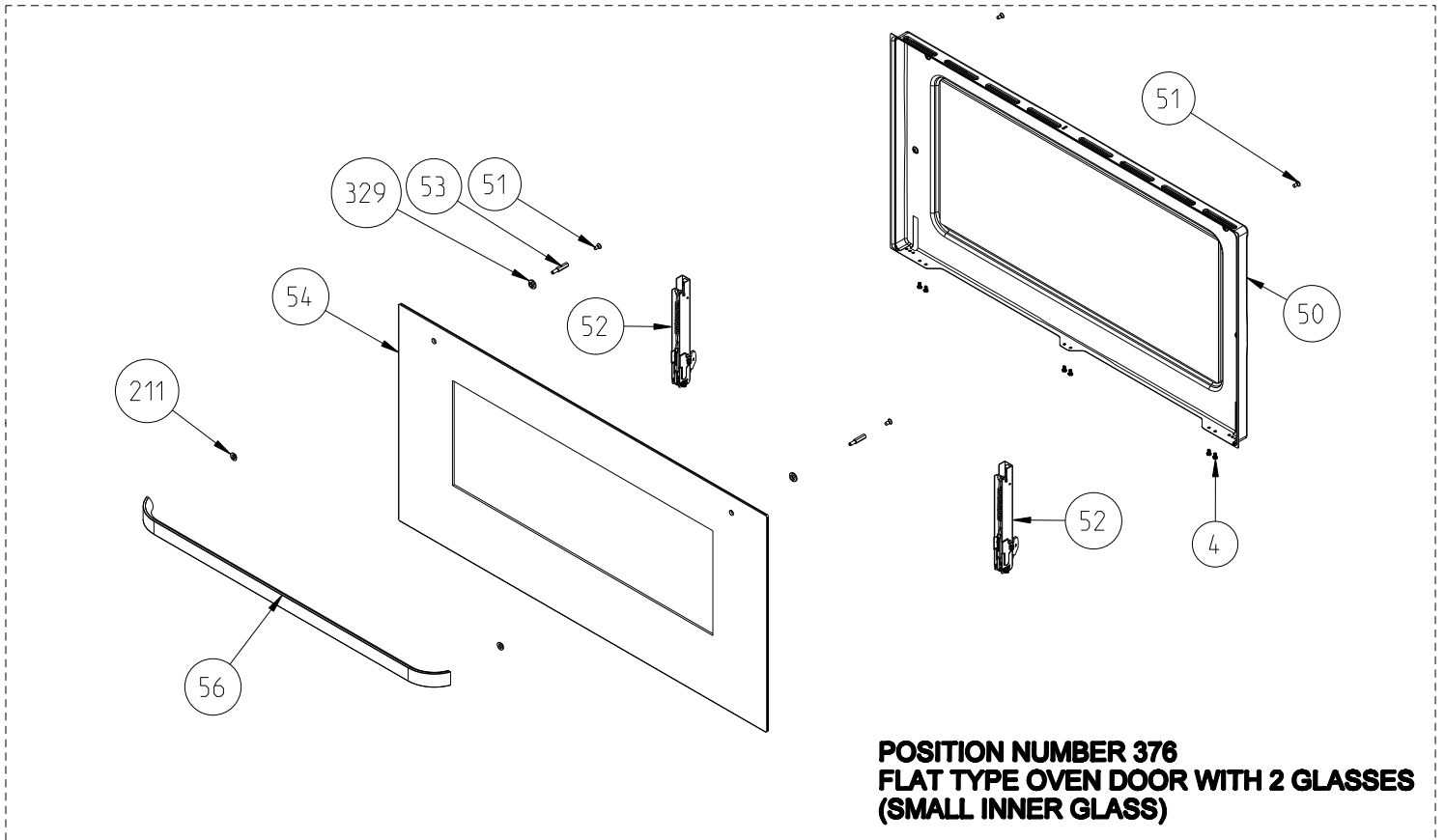


DOOR LOCK PIN
(OPTIONAL)

"The exploded views given in this document are generic. They include all possible versions of the product. For specific part codes, please refer to the bom list of regarding model."

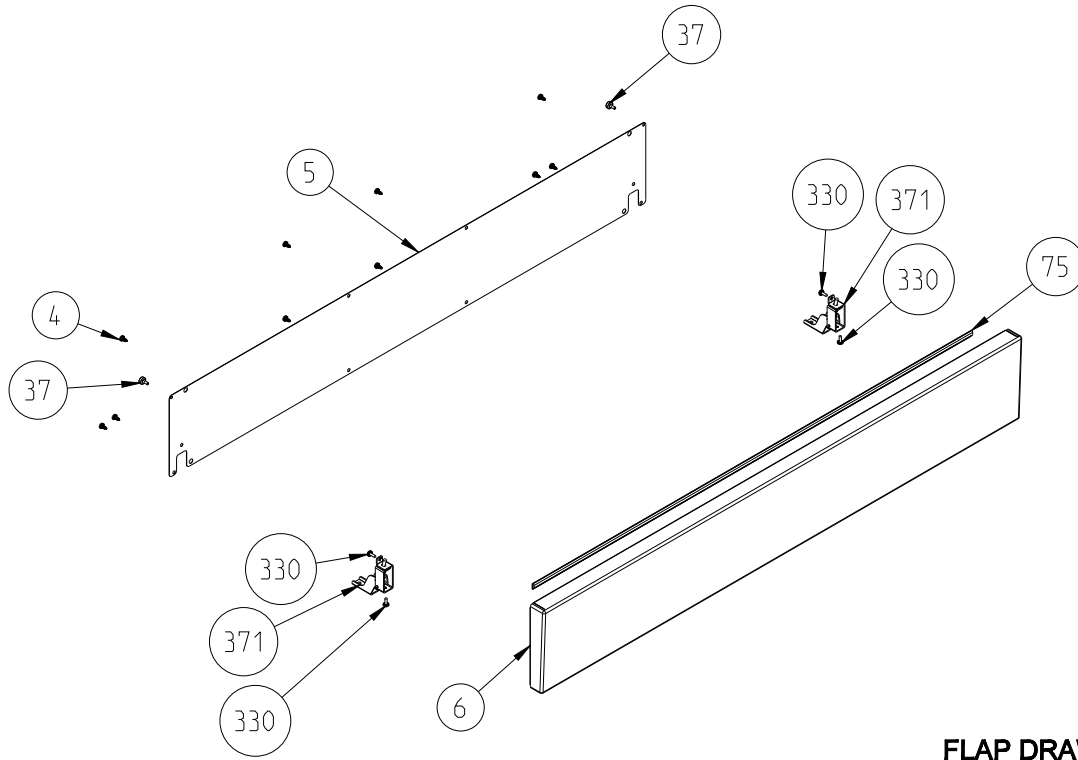
22.10.2018

90 CM FREE STANDING COOKER OVEN DOOR ASSEMBLY

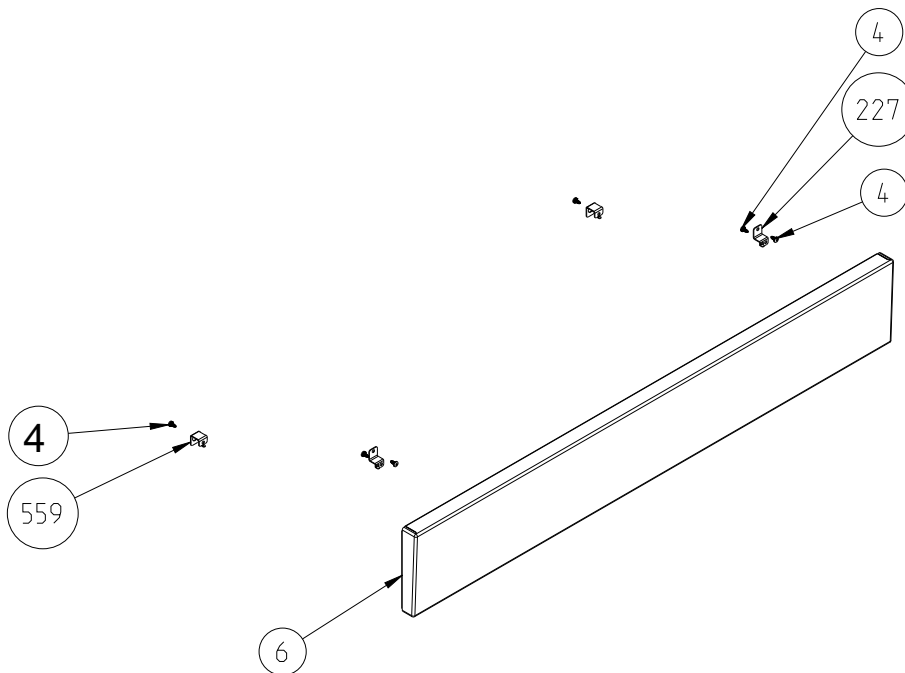


"The exploded views given in this document are generic. They include all possible versions of the product. For specific part codes, please refer to the bom list of regarding model."

90 CM FREE STANDING COOKER DRAWER ASSEMBLY



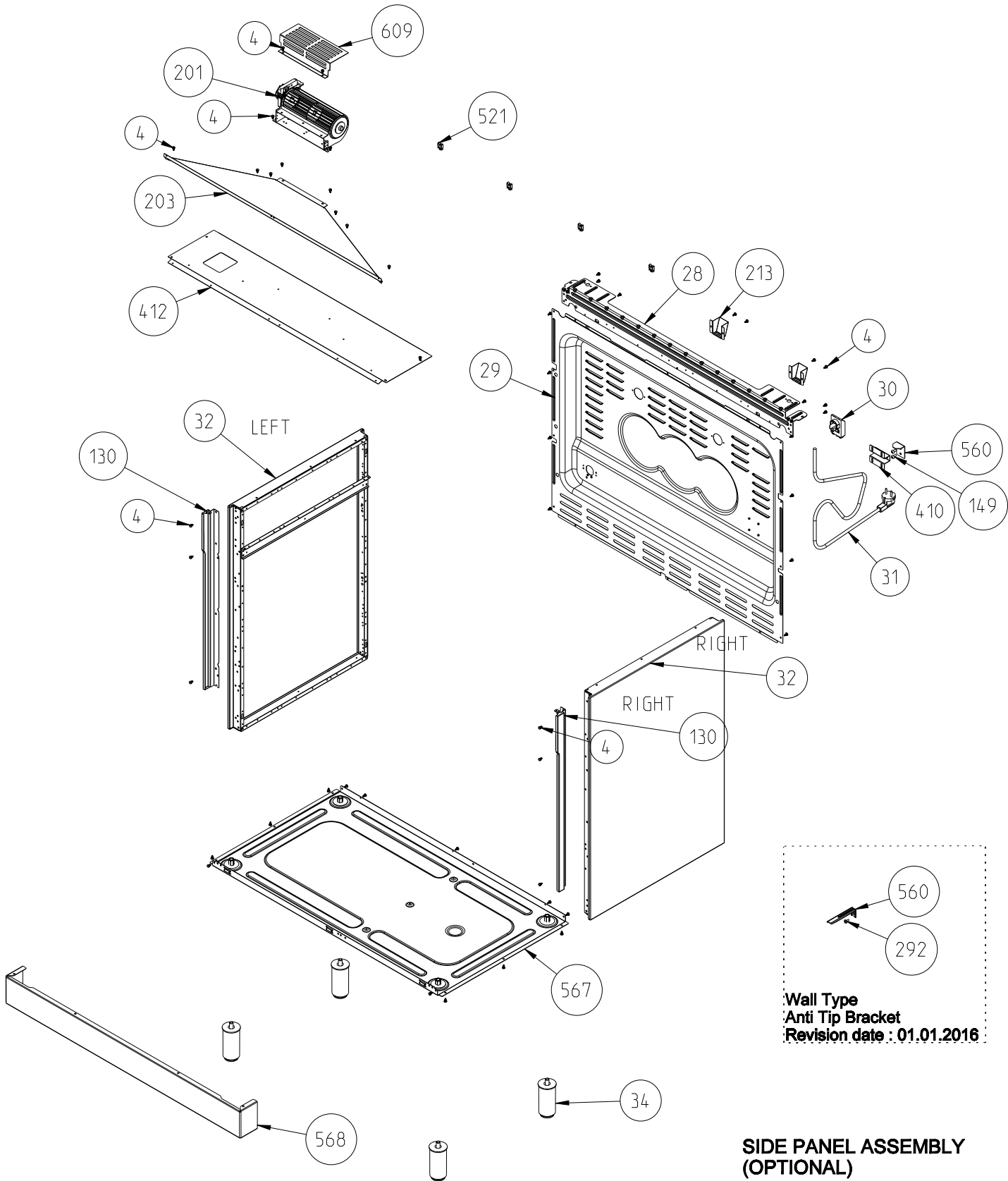
FLAP DRAWER ASSEMBLY

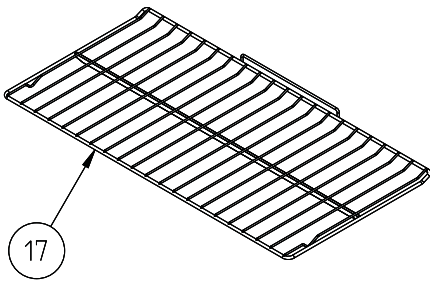


FIXED DRAWER ASSEMBLY

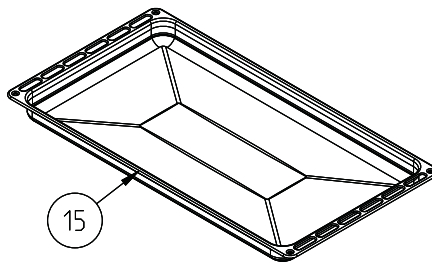
"The exploded views given in this document are generic.They include all possible versions of the product.
For specific part codes,please refer to the bom list of regarding model."

90 CM FREE STANDING COOKER SIDE PANEL ASSEMBLY



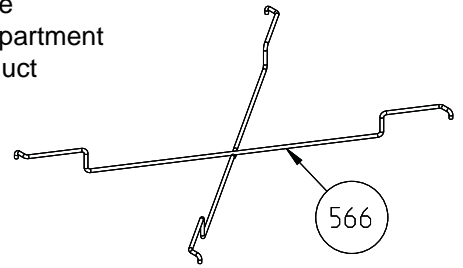


GRID

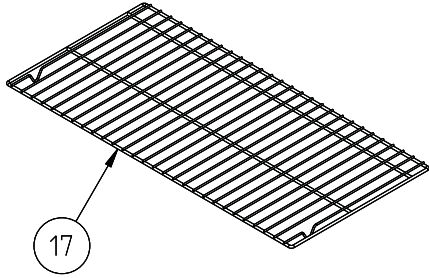


TRAY (DEEP)

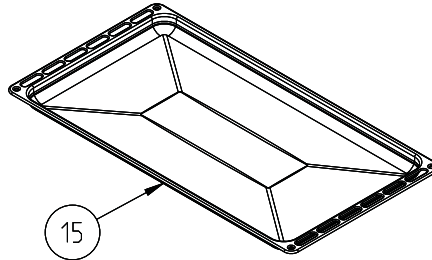
Use Only for
bottle
compartment
product



TUBE HOLDER WIRE

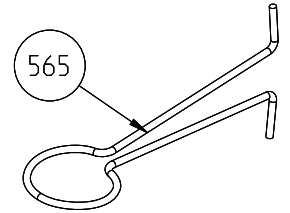


GRID (96,W.TELESCOPIC RAIL)

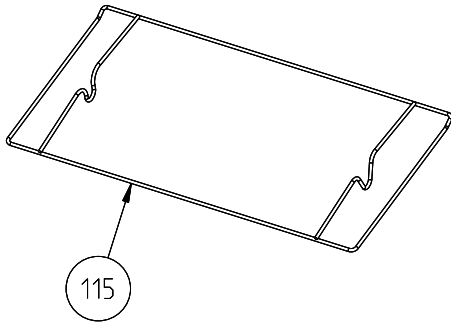


TRAY(SHALLOW)

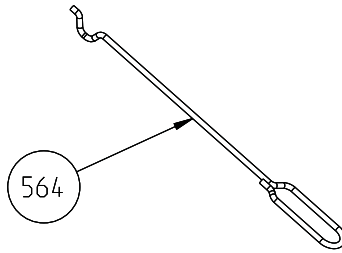
Use Only for
bottle
compartment
product



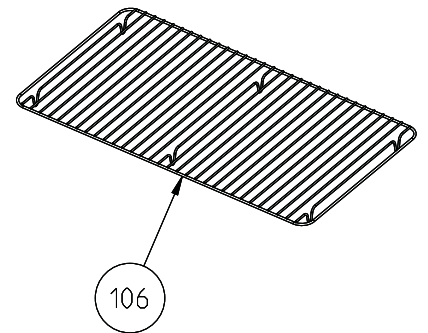
HOSE HOLDER WIRE



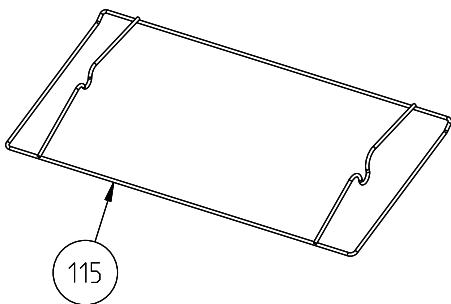
TURNSPIT GRID (MOULDED)



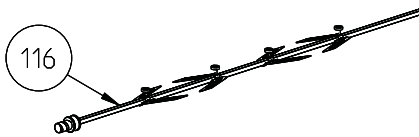
TURNSPIT HOLDER WIRE



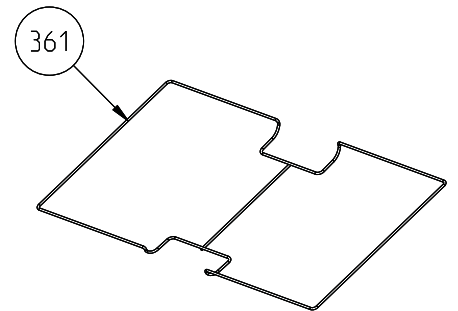
DEEP TRAY GRID



TURNSPIT GRID (TELESCOPIC RAIL)

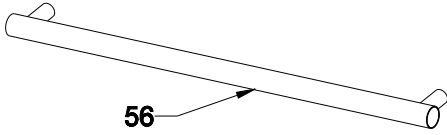


TURNSPIT SKEWER

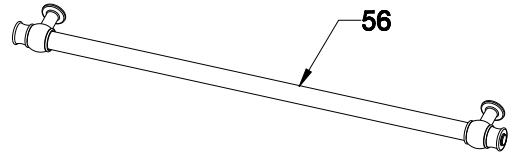


TELESCOPIC RAIL WIRE

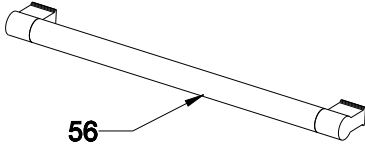
90 CM FREE STANDING (PROFESSIONAL/ STANDART) COOKER HANDLES
(OPTIONAL)



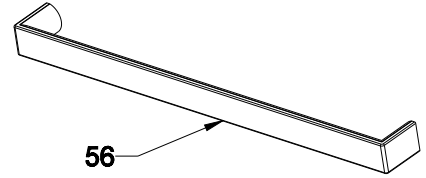
CYLINDER



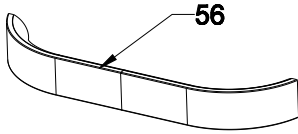
RUSTIC RISUS



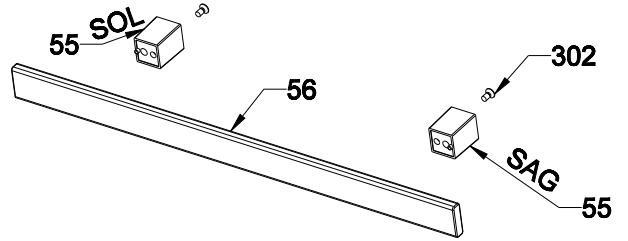
TROY



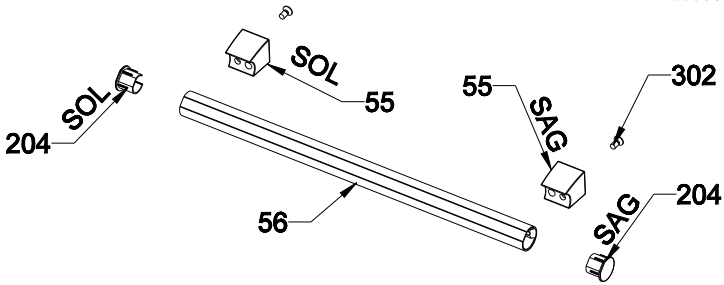
VERO



BOW



FLAT QUADRANGLE



TRIO

90 CM FREE STANDING COOKER SPARE PARTS LIST

POSITION NUMBER	PART NAME
2	OVEN LIGHT
4	SCREW (3.9*9.5)
5	DRAWER INNER COVER
6	DRAWER PANEL
9	FAN MOTOR
10	CAVITY
12	HINGE COUNTERPART (LEFT /RIGHT)
13	SCREW (M4*8)
14	BOTTOM INSULATION COVER (96)
15	TRAY (DEEP / SHALLOW /GLASS)
16	OVEN DOOR GASKET
17	GRID (LOCKED,W.TELESCOPIC RAIL)
19	FAN COVER
20	RING TUBULAR HEATING ELEMENT
21	FAN IMPELLER
28	REAR TOP PANEL
29	REAR PANEL
30	TERMINAL BOX
31	POWER CORD (PLUGGED / UNPLUGGED)
32	SIDE PANEL
34	ADJUSTABLE WHEEL
37	DRAWER PANEL STOPPER
38	EXHAUST
50	INNER GLASS ASSEMBLY
51	SCREW (COUNTERSUNK-HEAD, M5*10, BLACK)
52	OVEN DOOR HINGE
53	OVEN DOOR HANDLE ASSEMBLY STUD
54	OUTER GLASS ASSEMBLY
55	HANDLE BRACKET
56	HANDLE BODY
58	GAS DELIVERY TUBE
60	IGNITOR
61	TELESCOPIC RAIL (RIGHT / LEFT)
63	MANIFOLD
64	STRAIGHT HOSE FITTING GASKET
65	HOSE FITTING (NG)
66	GAS VALVE
67	SCREW (3.9*9.5, SLIM HEAD)
69	MICROSWITCH HARNESS
70	INNER PANEL
71	SCREW (KNURLED,3.9*6.5)
72	FRONT PANEL
73	KNOB RING
74	KNOB SPRING
75	DRAWER SILICONE STOPPER
76	KNOB (GAS)
77	SIGNAL LAMP LENS
79	SIGNAL LAMP BODY
80	SCREW (M4*6)
81	FUNC.SELECT.SWITCH
82	CAPILLARY THERMOSTAT 240°C
83	COOKTOP VALVE ASSEMBLY BRACKET
84	SCREW (M4*18,head ϕ 9)

90 CM FREE STANDING COOKER SPARE PARTS LIST

POSITION NUMBER	PART NAME
86	SCREW (COUNTERSUNK-HEAD, M3*8, LENTIL HEAD)
87	GLASS LID ASSEMBLY
88	GLASS LID HINGE LEFT/RIGHT
89	SCREW (KNURLED, M4*10)
90	KNOB (ELECTRIC)
91	NUT
92	BURNER CAP
93	BURNER HEAD
95	PAN SUPPORT
96	PAN SUPPORT BUMPER
98	SPARK PLUG GASKET
99	SPARK PLUG WITH CABLE
100	SPARK PLUG WITH SEGMENT
101	THERMOCOUPLE
102	COOKTOP
103	THERMOCOUPLE FIXING NUT
104	GLASS LID BUMPER
106	DEEP TRAY GRID
107	WASHER
109	INJECTOR
110	BOTTOM HEATING ELEMENT
111	BOTTOM HEATING ELEMENT HOLDER
112	TOP AND GRILL HEATING ELEMENT
113	TIMER (MECHANIC/DIGITAL/ANALOG)
114	TOP HEATING ELEMENT BULB BRACKET
115	TRUNSPIT GRID
116	TRUNSPIT SKEWER
117	TRUNSPIT MOTOR
122	TIMER LENS
130	SIDE CLOSING PROFILE
137	TIMER BUTTON
144	CATALYTIC PANEL WITH WIRE SHELF (ENAMELLED) SHELF COVER (RIGHT / LEFT ,CATALYTIC ENAMELLED)
149	SCREW (CIRCULAR-HEAD, 4.8*32)
170	SCREW (COUNTERSUNK-HEAD, 4.2*9.5)
173	SCREW (3.9*13)
175	SCREW (CIRCULAR-HEAD, M4*8, STAINLESS)
181	MICROSWITCH STOPPER
201	COOLING FAN MOTOR
203	COOLING FAN DUCT
204	HANDLE TAP
206	GLASS LID FRO.PROFILE SILICON BUMPER
211	HANDLE ASSEMBLY BRACKET
212	EXHAUST PROTECTION COVER
213	EXHAUST LID
218	HINGE SIDE ASM SCREW
220	INTERVALFRONT PANEL SPRING
227	FIXED DRAWER PANEL ASSEMBLY BRACKET
237	DOUBLE GLAZED OVEN DOOR METAL TRIM
238	OVEN DOOR HANDLE SCREW
239	HANDLE FIXING BUSH
240	SILICONE WASHER

90 CM FREE STANDING COOKER SPARE PARTS LIST

POSITION NUMBER	PART NAME
248	SCREW (KNURLED, 3.9*6.5,BLUNT TYPE)
252	WIRE SHELF FIXING CLIP
253	WIRE SHELF (RIGHT / LEFT)
257	WOK BURNER SUPPORT
262	REMOVABLE INNER GLASS SPRING (LEFT/RIGHT)
266	SCREW (M4*4T,STAINLESS)
267	MICROSWITCH SEGMENT
293	DOOR LOCK PIN
295	EXHAUST COVER
300	KNIFE BARRIER SUBPANEL
302	HANDLE BRACKET SCREW
310	FEMALE-FEMALE ADAPTOR
314	SCREW (CIRCULAR-HEAD, M4*12, SPIRAL,WHITE)
315	SCREW (COUNTERSUNK-HEAD,M4*15,BLACK)
317	EXHAUST FIXING WIRE
328	WASHER (ENAMELLED,BLACK)
329	GRADUAL WASHER
330	SCREW (KNURLED, M4*4)
331	KNURLED WASHER Ø4
333	GLASS LID BACK PROFILE CAP
365	SCREW (M4*22, AA7)
371	FLAP DRAWER HINGE RIGHT/ LEFT
376	FLAT TYPE OVEN DOOR GROUP WITH SMALL INNER GLASS
377	PROFILE TYPE OVEN DOOR GROUP
385	ENAMELLED COOKTOP FIXING CLIP
410	ANTI-TIP BRACKET HOLDER
412	COOLING FAN BASE
413	GLASSLID COVERINGPLSPART
432	OVEN DOOR MIDDLE GLASS
450	GLASS LID HINGE COUNTERPART
452	LIMIT THERMOSTAT NO 200°C
479	THERMOSTAT BULB HOLDER
487	SCREW (KNURLED, M4*12, INOX)
521	WIRE SADDLE
540	TRUNSPIT HANDLE
559	FIXED DRAWER PANEL ASSEMBLY BRACKET
560	ANTI-TIP BRACKET
562	OIL INSULATION COVER
563	OIL INSULATION OUTER COVER
564	TURNSPIT HOLDER WIRE
565	HOSE HOLDER WIRE
566	TUBE HOLDER WIRE
567	BOTTOM PANEL SUPPORT SHEET GROUP
568	ADJUSTABLE FEET SIDE CLOSING SHEET
569	CAVITY FRONT FRAME (96,BLACK)
608	LIMITER BRACKET WITH SCREWING
609	COOLING FAN PROTECTION SHEET
618	LAMP
619	BURNER BODY

The exploded view given in this document are generic.They are include all possible versions of the product. For specific part codes,please refer to the bom list of regarding model.