



Service Manual

Built-in oven

AKP 756/IX/01

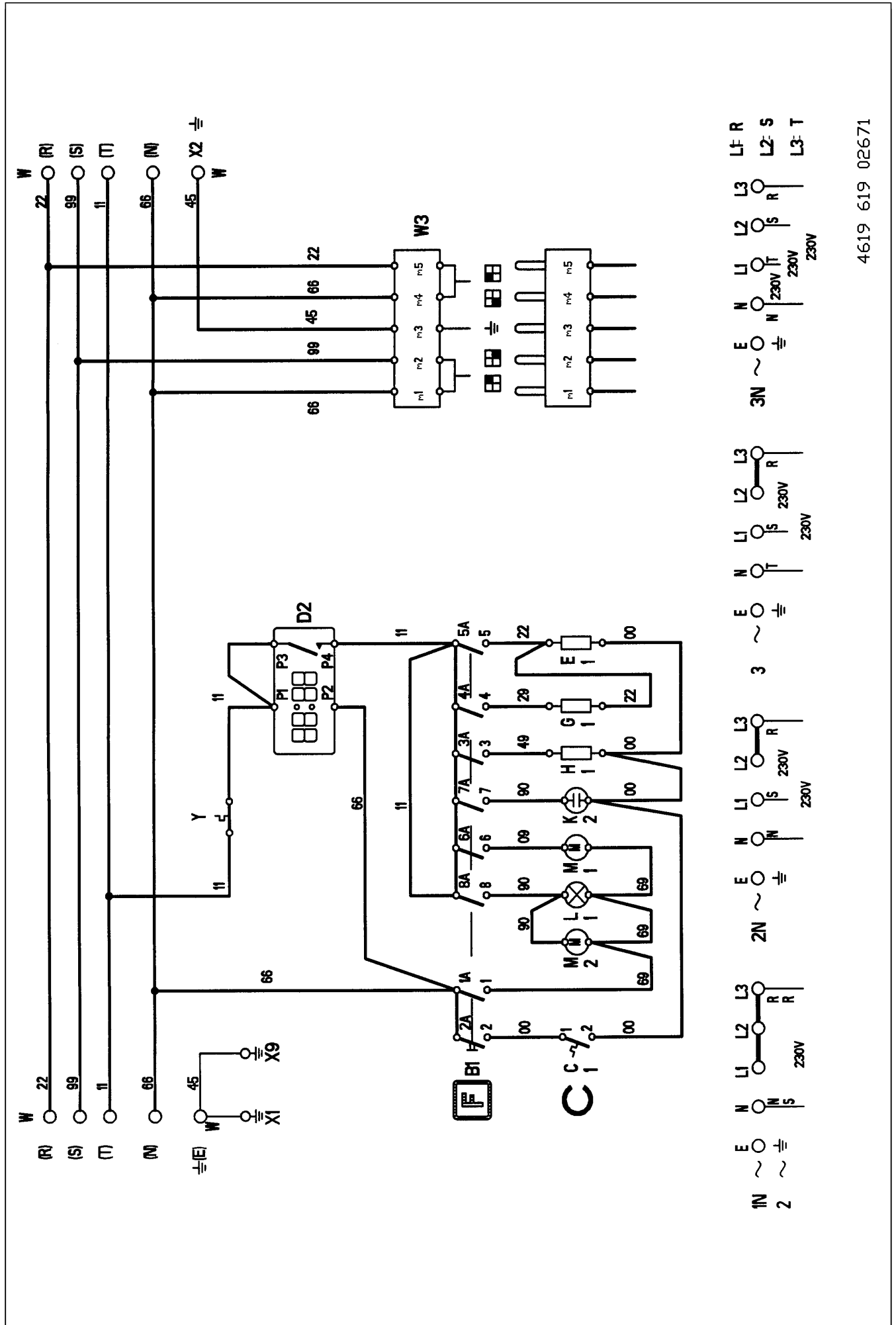
Model Version		Page
AKP 756/IX/01		
8577 756 18060		
	Spare part list	2
	Exploded view	3
	Wiring diagram	4 - 5
	Technical data	6

Spare part list

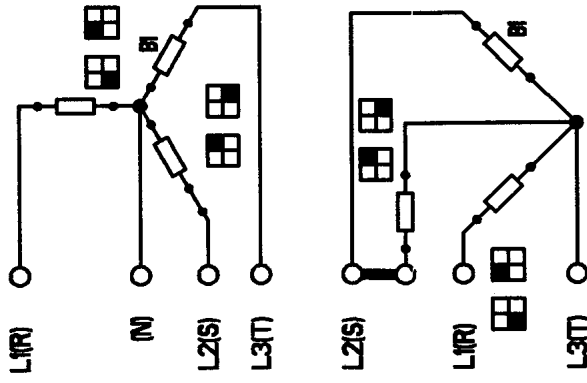
Model **AKP 756/IX/01**
Service No. **857775618060**
Version **857775618060**

Pos. No.	12NC Code	Description	from	to
025 1	4819 460 78479	Trim, side right		
025 2	4819 460 78481	Trim, side left		
040 0	4819 417 19457	Hinge		
047 0	4819 466 89197	Hinge run.mech.		
110 0	4819 498 78005	Handle,door		
110 1	4819 462 48456	Rubber ring		
121 0	4819 442 38091	Innerdoor,oven + glass		
121 3	4819 460 89431	Trim		
141 0	4819 450 69864	Oven glass		
191 0	4819 468 18109	Gasket		
201 0	4819 442 38093	Plate		
204 0	4819 442 38201	Side panel		
232 0	4819 460 78321	Trim		
245 0	4819 458 19991	Oven shelf		
246 0	4819 418 38366	Baking tray		
247 0	4819 418 38367	Tray,leak		
261 0	4819 458 19999	Inset grid left		
261 1	4819 458 19998	Inset grid right		
301 3	4819 460 78627	Trim, lower		
320 0	4819 453 58261	Control panel		
332 0	4819 410 28689	Button,push		
334 1	4819 411 29351	Knob thermostat		
334 2	4819 411 28984	Knob		
334 3	4819 411 28959	Knob		
334 4	4819 411 29211	Knob		
334 5	4819 411 28987	Knob,regulation		
334 6	4819 411 29123	Knob,regulation		
351 0	4812 134 48021	Pilot lamp		
354 0	4819 381 18076	Lens red		
440 0	4819 361 78242	Motor		
441 0	4819 361 18457	Motor cooling fan		
443 0	4819 515 48065	Fan wheel		
452 0	4819 259 28915	Heating element upper		
456 0	4819 259 28948	Heating element lower		
483 5	4819 290 68302	Plug,female		
491 0	4819 290 68364	Connect.block		
500 0	4819 282 18726	Autotimer		
523 1	4819 526 48416	Coupling		
554 0	4819 271 29042	Thermostat		
562 0	4819 282 28695	Thermal fuse		
620 0	4819 273 28402	Hex.code switch		
651 0	4819 134 88153	Lamp,oven		
652 0	4819 255 18237	Holder,lamp		
652 1	4819 450 69844	Lamp screen		
914 0	4819 505 18323	Nut		
915 0	4819 505 18145	Nut		
932 0	4819 492 68714	Spring		
993 0	4819 310 39087	Mounting kit		

Wiring diagram

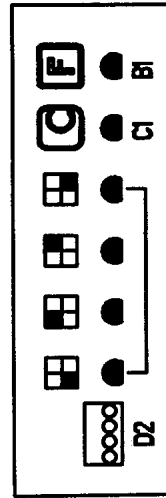


Wiring diagram



	0	1	2	3	4	5	6
1A-1		X	X	X	X	X	X
2A-2			X	X	X	X	
3A-3			X	X			
4A-4			X	X			
5A-5				X	X	X	
6A-6				X		X	X
7A-7				X	X	X	
8A-8			X	X	X	X	X

W67D-011-VP2



4619 619 02671

- B1 - OVEN SELECTOR
- C1 - OVEN THERMOSTAT
- D2 - TIMER
- E1 - GRILL HEATING EL
- G1 - UPPER HEATING EL
- H1 - LOWER HEATING EL
- L1 - OVEN LAMP
- M1 - CAVITY FAN
- M2 - COOLING FAN
- Y - THERMOFUSE
- W - MAINS TERMINAL BLOCK
- W3 - HOB TERMINAL BLOCK
- K2 - OVEN THERMOSTAT PILOT LAMP (RED)
- X1 - EARTHING CABINET
- X2 - EARTHING HOB
- X9 - EARTHING UPPER/ GRILL H E

- 00- BLACK
- 11- BROWN
- 22- RED
- 33- ORANGE
- 44- YELLOW
- 55- GREEN
- 66- BLUE
- 77- VIOLET
- 88- BLUE SKY
- 99- WHITE
- 09- WHITE-BLACK
- 29- WHITE-RED
- 49- WHITE-YELLOW
- 69- WHITE-BLUE
- 90- GREY
- 45- YELLOW-GREEN

Technical data

Electrical connection

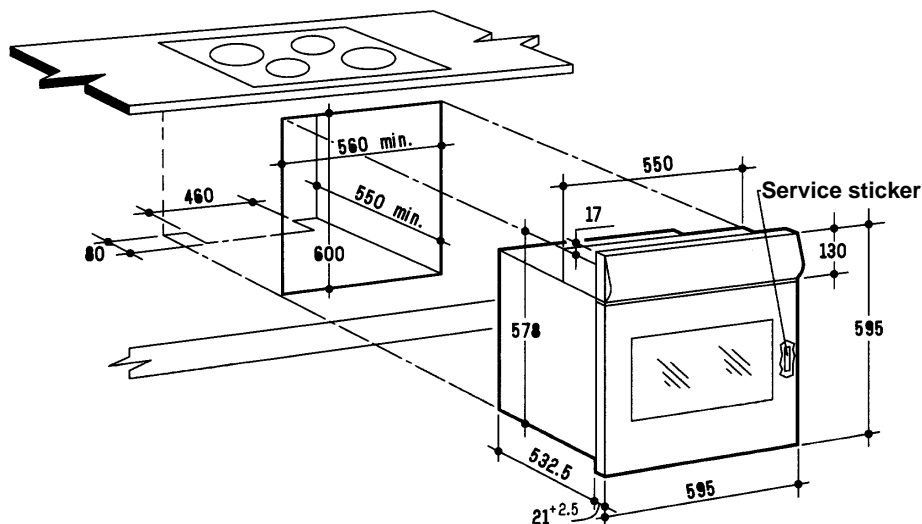
Rated voltage	230V ~		
Main connection	400V	3N~ 50	Hz
	400V	2N~ 50	Hz
	230V	1N~ 50	Hz
Power usable contemporaneously	2550		W
Upper heating element	900		W
Lower heating element	1150		W
Forced air	-		W
Grill heating element	2450		W

Electrical components

Electronic timer type	Polino
Hob control	Polivalente

Accessories

Baking tray enameled	375 x 445.5	mm
Fat pan enameled	375 x 445.5	mm
Grid chrome	446.5 x 340	mm



z8100001