



Service Manual

Cooker hood AKR 632 WH

Model Version		Page
	AKR 632 WH	
	8578 632 01050	
	Technical data	2
	Spare part list	3
	Exploded view	4
	Wiring diagram	5
	Circuit diagram	6

Technical data

Electricity

Voltage	230	V
Frequency	50	Hz

Power

Total	200	W
Fan motor	120	W
Illumination	2x40	W

Nominal air flow

Speed 1

External exhaust	131	m ³ /h
Recirculation	---	m ³ /h

Speed 2

External exhaust	176	m ³ /h
Recirculation	---	m ³ /h

Noise level

Speed 1

External exhaust	51	dB (A)
Recirculation	---	dB (A)

Speed 2

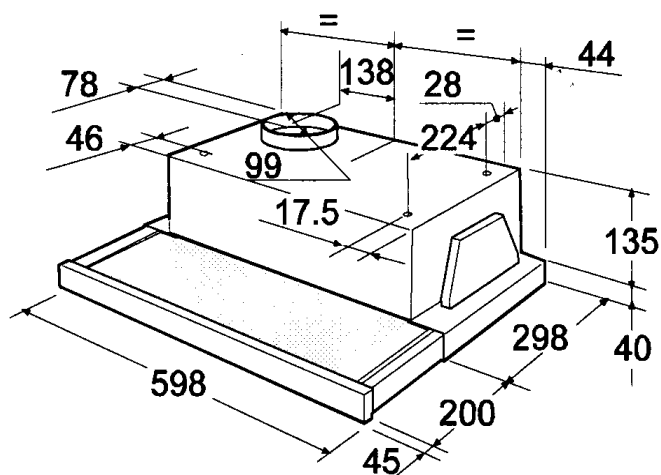
External exhaust	59	dB (A)
Recirculation	---	dB (A)

Distance from cooking area

Electric	650	mm
Gas	750	mm

Air exhaust

Flange	100	mm
--------	-----	----



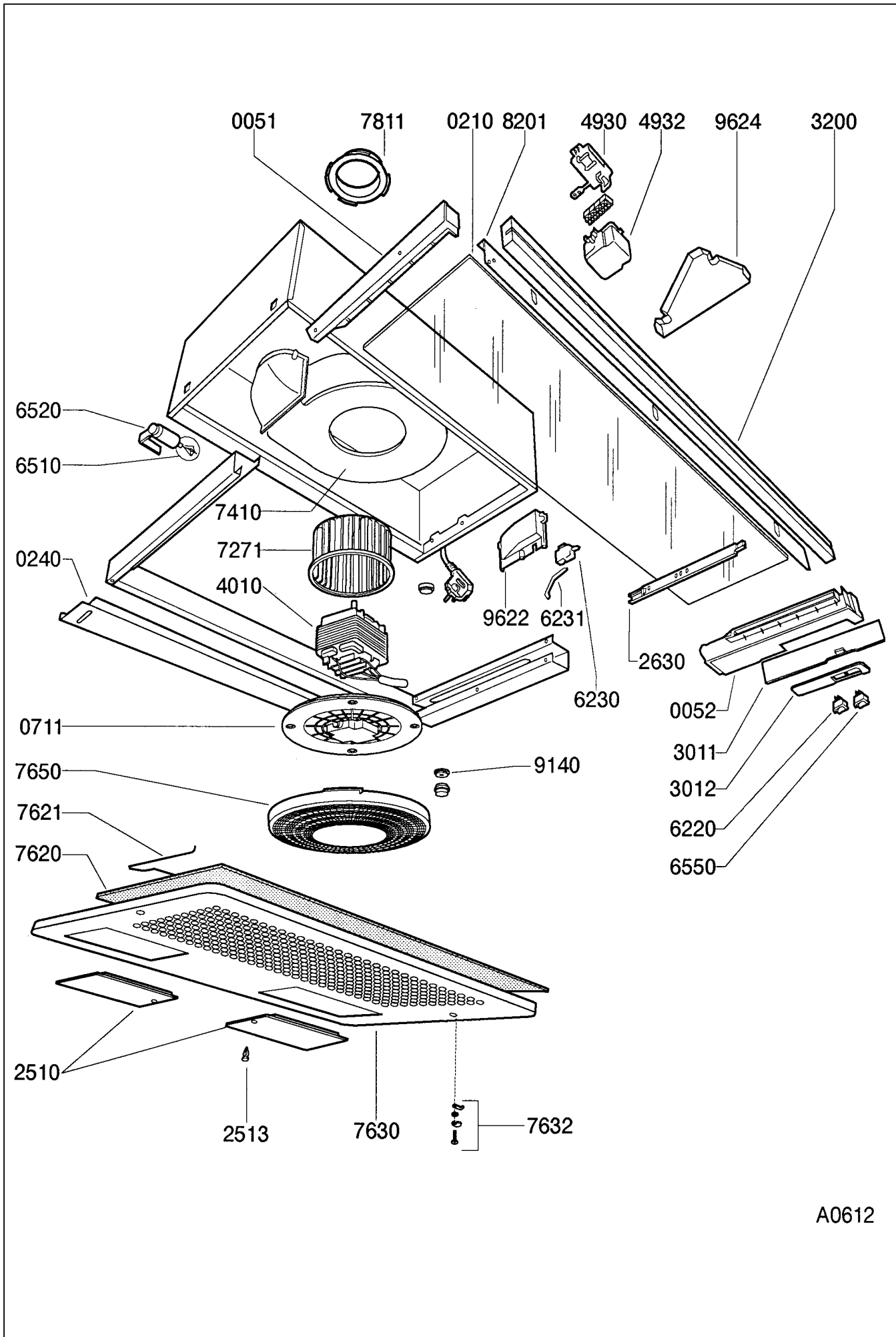
DIB1002/1

Spare part list

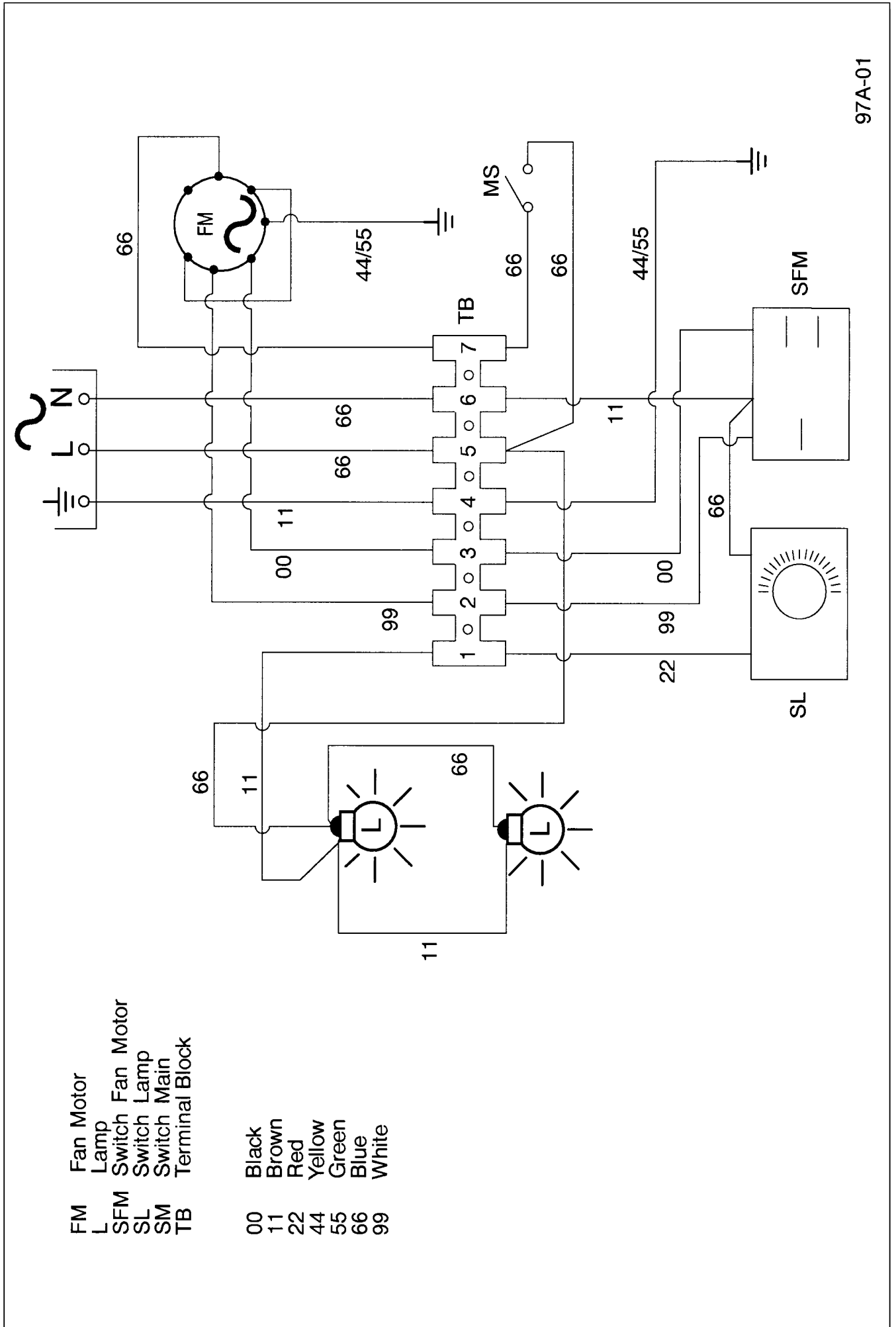
Model AKR 632 WH
Service No. 857863201050
Version 857863201050

Pos. No.	12NC Code	Description
005 1	4812 442 69023	Profile left
005 2	4812 442 69024	Profile right
021 0	4819 442 28037	Flap, front
024 0	4819 460 49431	Cover plate
071 1	4812 404 78266	Support motor
251 0	4819 462 79963	Cover,lamp
251 3	4819 492 68622	Clip,fix
263 0	4819 462 38916	Slide
301 1	4812 462 79717	Cover
301 2	4819 452 99884	Control panel
320 0	4812 452 38205	Front,panel
401 0	4819 361 18322	Motor
493 0	4819 290 68426	Connect.block
493 2	4819 462 88111	Cover,conn.bloc
622 0	4819 277 38009	Switch white
623 0	4812 271 38397	Microswitch
623 1	4812 462 68004	Lever
651 0	4819 134 88088	Lamp
652 0	4819 255 18224	Holder,lamp
655 0	4819 277 38008	Switch light white
727 1	4819 515 28018	Fan wheel
741 0	4819 442 78419	Conveyor
762 0	4819 480 48328	Filter,grease
762 1	4819 492 68447	Spring
763 0	4819 458 58288	Grating
763 2	4812 401 18082	Lock
765 0	4812 480 48032	Carbon filter
781 1	4819 532 78232	Connect.piece
820 1	4819 442 28038	Flap, front
914 0	4819 505 18246	Nut motor
962 2	4819 462 58195	Cover electric parts
962 4	4819 462 79039	Cover

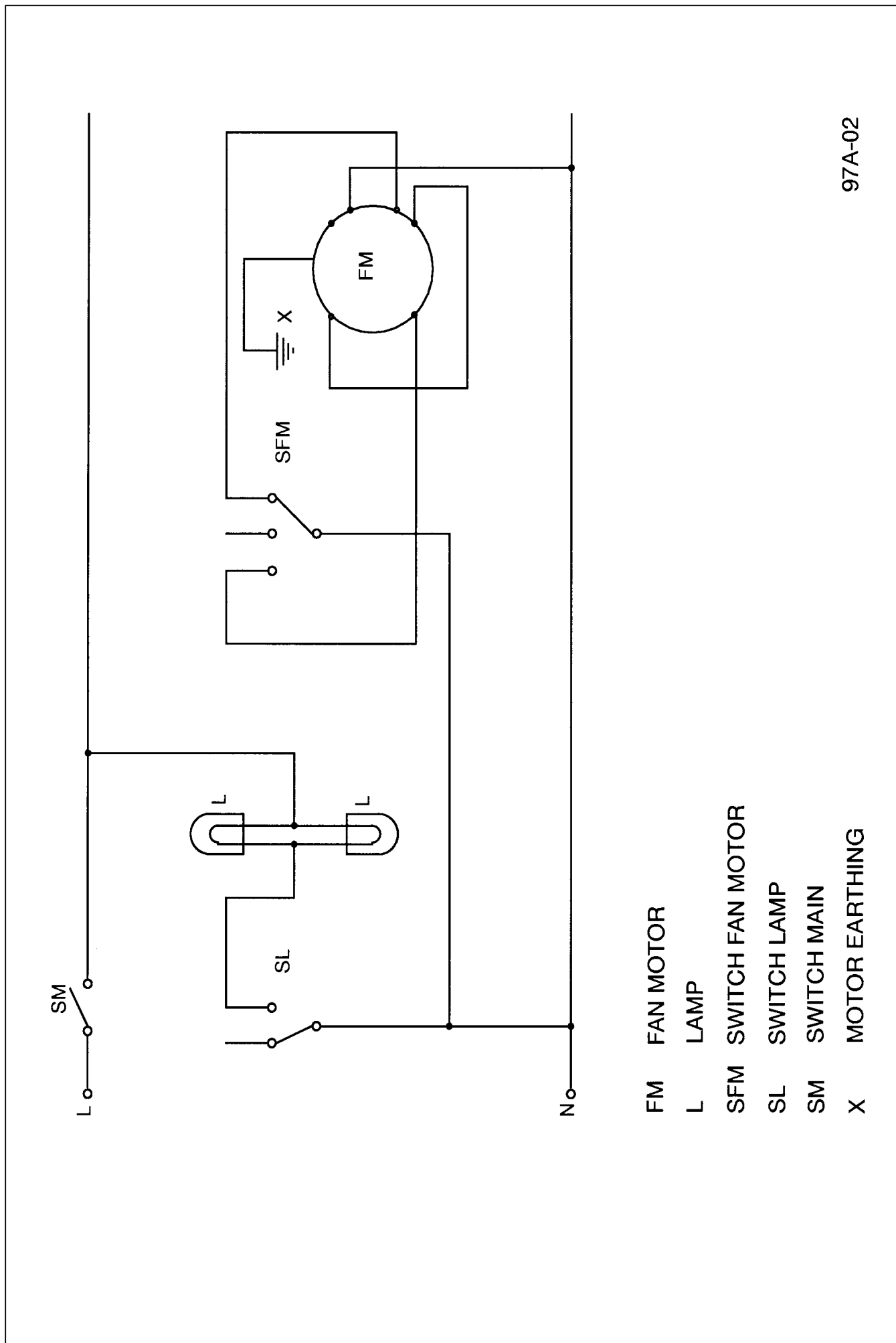
Exploded view



Wiring diagram



Circuit diagram



97A-02