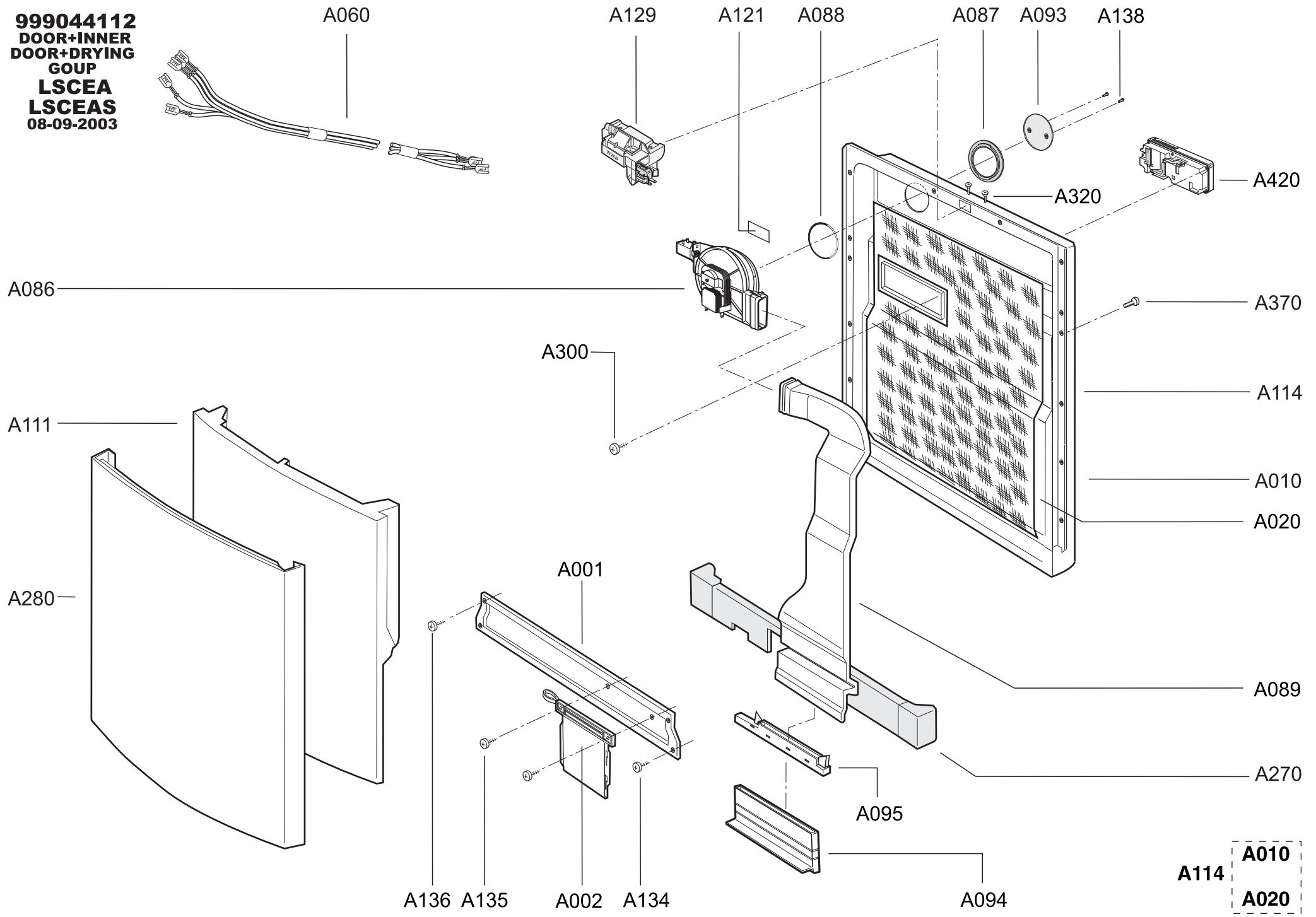


999044112
DOOR+INNER
DOOR+DRYING
GOUP
LSCEA
LSCEAS
08-09-2003



A114 **A010**
A020