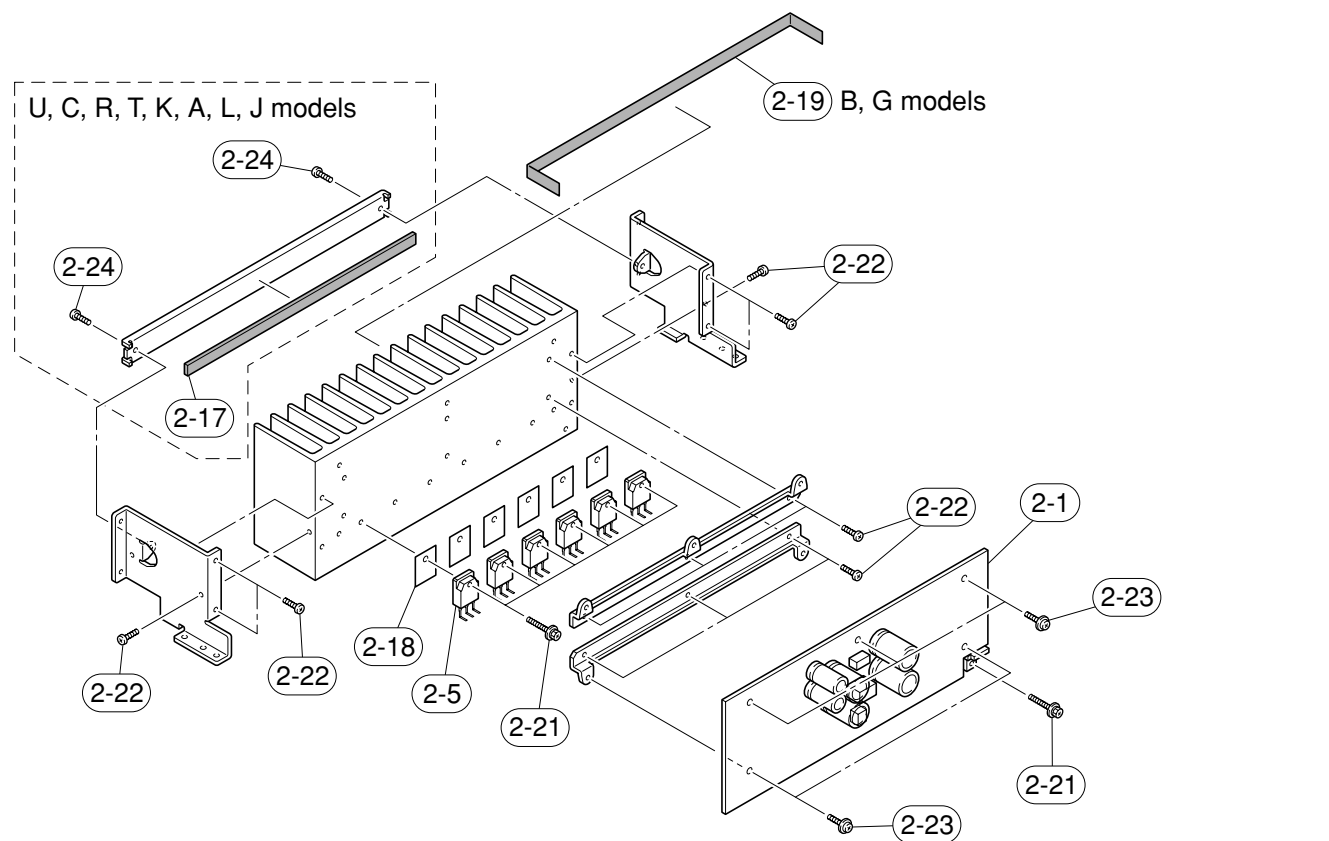
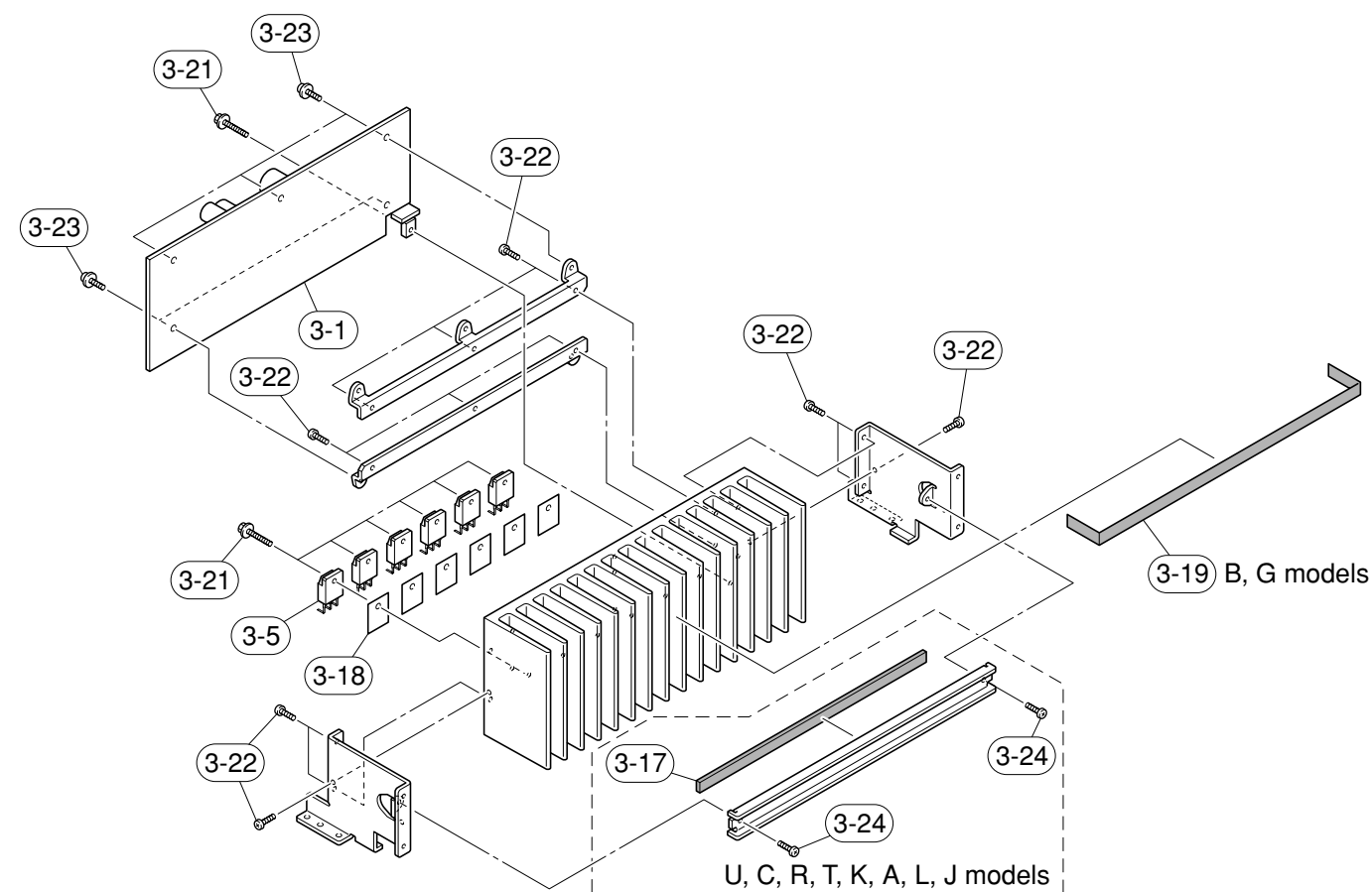


• AMP L UNIT

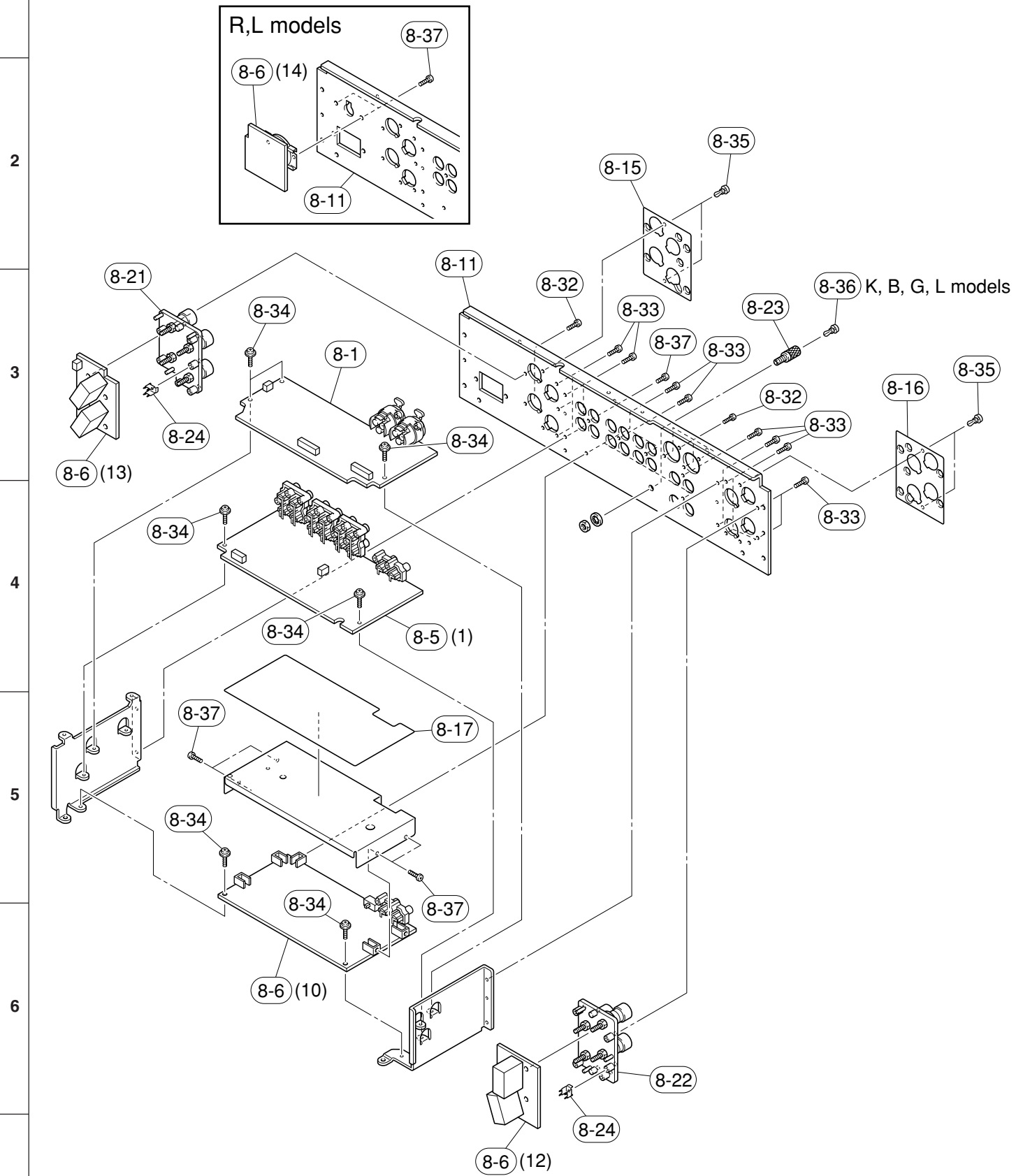


• AMP R UNIT



Ref No.	Part No.	Description	Remarks	Markets	部品名	ランク
* 2-1	WM089600	P.C.B. ASS'Y	MAIN	J	PCB MAIN	
* 2-1	WM089700	P.C.B. ASS'Y	MAIN	UC	PCB MAIN	
* 2-1	WM089800	P.C.B. ASS'Y	MAIN	RL	PCB MAIN	
* 2-1	WM089900	P.C.B. ASS'Y	MAIN	TK	PCB MAIN	
* 2-1	WM090000	P.C.B. ASS'Y	MAIN	A	PCB MAIN	
* 2-1	WM090100	P.C.B. ASS'Y	MAIN	B	PCB MAIN	
* 2-1	WM090200	P.C.B. ASS'Y	MAIN	G	PCB MAIN	
# 2-5	WF870000	TRANSISTOR	2SC6011 O,P,Y	Q211-213, Q219-221	トランジスタ	07
* 2-17	WK851100	DAMPER HS		JUCRTKAL	ダンパー HS	
2-18	VV849300	RADIATION SHEET	19x24		放熱シート	01
2-19	WN961100	DAMPER	10x300 t=2	BG	ダンパー	
2-21	VK173200	SCREW TRANSISTOR	3x15 SP MFC2		スクリューTR	01
2-22	WE774100	BIND HEAD BONDING B-T. SCREW	3x8 MFZN2B3		ボンディングBタイトネジ	01
2-23	VT669300	PW HEAD B-TIGHT SCREW	3x8-8 MFC2		PWヘッドBタイトネジ	01
2-24	WE774300	BIND HEAD B-TIGHT SCREW	3x8 MFZN2W3	JUCRTKAL	バインドBタイトネジ	01
* 3-1	WM089600	P.C.B. ASS'Y	MAIN	J	PCB MAIN	
* 3-1	WM089700	P.C.B. ASS'Y	MAIN	UC	PCB MAIN	
* 3-1	WM089800	P.C.B. ASS'Y	MAIN	RL	PCB MAIN	
* 3-1	WM089900	P.C.B. ASS'Y	MAIN	TK	PCB MAIN	
* 3-1	WM090000	P.C.B. ASS'Y	MAIN	A	PCB MAIN	
* 3-1	WM090100	P.C.B. ASS'Y	MAIN	B	PCB MAIN	
* 3-1	WM090200	P.C.B. ASS'Y	MAIN	G	PCB MAIN	
# 3-5	WF870000	TRANSISTOR	2SC6011 O,P,Y	Q111-113, Q119-121	トランジスタ	07
* 3-17	WK851100	DAMPER HS		JUCRTKAL	ダンパー HS	
3-18	VV849300	RADIATION SHEET	19x24		放熱シート	01
3-19	WN961100	DAMPER	10x300 t=2	BG	ダンパー	
3-21	VK173200	SCREW TRANSISTOR	3x15 SP MFC2		スクリューTR	01
3-22	WE774100	BIND HEAD BONDING B-T. SCREW	3x8 MFZN2B3		ボンディングBタイトネジ	01
3-23	VT669300	PW HEAD B-TIGHT SCREW	3x8-8 MFC2		PWヘッドBタイトネジ	01
3-24	WE774300	BIND HEAD B-TIGHT SCREW	3x8 MFZN2W3	JUCRTKAL	バインドBタイトネジ	01

1 • REAR UNIT



Ref No.	Part No.	Description	Remarks	Markets	部品名	ランク	
*	8-1	WM096800	P.C.B. ASS'Y	BALANCE	J	PCB BALANCE	
*	8-1	WM096900	P.C.B. ASS'Y	BALANCE	UC	PCB BALANCE	
*	8-1	WM097000	P.C.B. ASS'Y	BALANCE	RTKAL	PCB BALANCE	
*	8-1	WM097100	P.C.B. ASS'Y	BALANCE	B	PCB BALANCE	
*	8-1	WM097200	P.C.B. ASS'Y	BALANCE	G	PCB BALANCE	
*	8-5	WM091200	P.C.B. ASS'Y	FUNCTION	J	PCB FUNCTION	
*	8-5	WM091300	P.C.B. ASS'Y	FUNCTION	UC	PCB FUNCTION	
*	8-5	WM091400	P.C.B. ASS'Y	FUNCTION	RL	PCB FUNCTION	
*	8-5	WM091500	P.C.B. ASS'Y	FUNCTION	TK	PCB FUNCTION	
*	8-5	WM091600	P.C.B. ASS'Y	FUNCTION	A	PCB FUNCTION	
*	8-5	WM091700	P.C.B. ASS'Y	FUNCTION	B	PCB FUNCTION	
*	8-5	WM091800	P.C.B. ASS'Y	FUNCTION	G	PCB FUNCTION	
*	8-6	WM094800	P.C.B. ASS'Y	FRONT	BL	PCB FRONT	
*	8-6	WM094900	P.C.B. ASS'Y	FRONT	BL UC	PCB FRONT	
*	8-6	WM095000	P.C.B. ASS'Y	FRONT	BL R	PCB FRONT	
*	8-6	WM095100	P.C.B. ASS'Y	FRONT	BL T	PCB FRONT	
*	8-6	WM095200	P.C.B. ASS'Y	FRONT	BL K	PCB FRONT	
*	8-6	WM095300	P.C.B. ASS'Y	FRONT	BL A	PCB FRONT	
*	8-6	WM095400	P.C.B. ASS'Y	FRONT	BL B	PCB FRONT	
*	8-6	WM095500	P.C.B. ASS'Y	FRONT	BL G	PCB FRONT	
*	8-6	WM095600	P.C.B. ASS'Y	FRONT	BL L	PCB FRONT	
*	8-6	WM092800	P.C.B. ASS'Y	FRONT	SI J	PCB FRONT	
*	8-6	WM092900	P.C.B. ASS'Y	FRONT	SI UC	PCB FRONT	
*	8-6	WM093000	P.C.B. ASS'Y	FRONT	SI R	PCB FRONT	
*	8-6	WM093100	P.C.B. ASS'Y	FRONT	SI T	PCB FRONT	
*	8-6	WM093200	P.C.B. ASS'Y	FRONT	SI K	PCB FRONT	
*	8-6	WM093300	P.C.B. ASS'Y	FRONT	SI A	PCB FRONT	
*	8-6	WM093400	P.C.B. ASS'Y	FRONT	SI B	PCB FRONT	
*	8-6	WM093500	P.C.B. ASS'Y	FRONT	SI G	PCB FRONT	
*	8-6	WM093600	P.C.B. ASS'Y	FRONT	SI L	PCB FRONT	
*	8-11	WK859200	REAR PANEL		J	リヤパネル	
*	8-11	WK859300	REAR PANEL		UC	リヤパネル	
*	8-11	WK859400	REAR PANEL		R	リヤパネル	
*	8-11	WK859500	REAR PANEL		T	リヤパネル	
*	8-11	WK859600	REAR PANEL		K	リヤパネル	
*	8-11	WK859700	REAR PANEL		A	リヤパネル	
*	8-11	WK859800	REAR PANEL		B	リヤパネル	
*	8-11	WK860000	REAR PANEL		G	リヤパネル	
*	8-11	WK860100	REAR PANEL		L	リヤパネル	
*	8-15	WK971700	BARRIER SPEAKER L			バリヤSP L	
*	8-16	WK971800	BARRIER SPEAKER R			バリヤSP R	
*	8-17	WN083100	BARRIER PHONO			バリヤPHONO	
*	8-21	WM067100	SPEAKER TERMINAL	BANANA TYPE	JUCRTA	スピーカ端子	
*	8-21	WM067200	SPEAKER TERMINAL	NONBANAN TYPE	KBGL	スピーカ端子	
*	8-22	WM067300	SPEAKER TERMINAL	BANANA TYPE	JUCRTA	スピーカ端子	
*	8-22	WM067400	SPEAKER TERMINAL	NONBANAN TYPE	KBGL	スピーカ端子	
*	8-23	WK586600	METAL TERMINAL	S-Q0204#12F		金属ターミナル	
*	8-24	WK947700	SCREW TERMINAL STOP	D2.6		ネジ端子	
*	8-32	WE961700	BIND HEAD B-TIGHT SCREW	2.6x8 MFZN2B3		バインドBタイトネジ	01
*	8-33	WF787100	SCREW #B +BONDING	3x12 MFZN2B3		Bタイト+BOND	
*	8-34	VT669300	PW HEAD B-TIGHT SCREW	3x8-8 MFC2		PWヘッドBタイトネジ	01
*	8-35	VQ368500	PUSH RIVET	P3545-B		プッシュリベット	01
*	8-36	WN711400	PUSH RIVET		KBGL	プッシュリベット	
*	8-37	WE774100	BIND HEAD BONDING B-T. SCREW	3x8 MFZN2B3		ボンディングBタイトネジ	01

* New Parts * 新規部品